

NOTES FOR FIGURE 5-44

GENERAL NOTES

- A. PARTIAL REFERENCE DESIGNATORS ARE SHOWN. FOR COMPLETE DESIGNATION, PREFIX PARTIAL REFERENCE DESIGNATORS WITH APPLICABLE UNIT, ASSEMBLY AND/OR SUBASSEMBLY DESIGNATORS.
- B. UNLESS OTHERWISE SPECIFIED:
ALL RESISTORS ARE IN OHMS, ±5%, 1/4 WATT.
ALL CAPACITORS ARE IN MICROFARADS.
- C. INDICATES BREAK POINTS USED TO REDUCE DIAGRAM CLUTTER. TO FIND MATING END OF BROKEN LINE PROCEED IN PARALLEL WITH DIAGRAM BORDER.

SPECIFIC NOTES

- 1. LSB AND USB AUDIO PROCESSOR PCB SUBASSEMBLIES A2A21A18 AND A2A21A19 ARE IDENTICAL IN THEIR CONSTRUCTION, AND DIFFER ONLY IN THE TYPE OF SIGNAL PROCESSED. THE FOLLOWING PARTS LOCATION INDEX DESCRIBES ONLY THE LSB AUDIO PROCESSOR, A2A21A19.

PART LOCATION INDEX

REF DES	ZONE	REF DES	ZONE	REF DES	ZONE
A2A21A19C1	5F	A2A21A19CR1	2E	A2A21A19P1-17	1D
C2	5F	CR2	9D	P1-18	9A
C3	5E	CR3	8E	P1-A	9A
C4	*	E1	**	P1-B	9B
C5	*	thru		P1-C	**
C6	*	E8	**	P1-D	9B
C7	4E	K1	8D	P1-E	**
C8	3E	P1-1	9A	P1-F	9C
C9	2D	P1-2	9B	P1-G	**
C10	3E	P1-3	9E	P1-H	9B
C11	6C	P1-4	9B	P1-I	*
C12	5B	P1-5	**	P1-J	**
C13	4C	P1-6	9C	P1-K	**
C14	*	P1-7	9C	P1-L	9A
C15	*	P1-8	**	P1-M	9B
C16	6D	P1-9	*	P1-N	**
C17	7D	P1-10	9A	P1-O	*
C18	*	P1-11	9B	P1-P	9C
thru		P1-12	**	P1-Q	**
C22	*	P1-13	9C	P1-R	**
C23	9D	P1-14	**	P1-S	9E
C24	6E	P1-15	**	P1-T	9B
		P1-16	9D	P1-U	9D
				P1-V	9A

* NOT USED. ** NOT SHOWN.

NOTES FOR FIGURE 5-44 (CONTINUED)

PART LOCATION INDEX (CONTINUED)

REF DES	ZONE	REF DES	ZONE	REF DES	ZONE
A2A21A19Q1	6F	A2A21A19R14	1E	A2A21A19R32	8D
Q2	2E	R15	7E	R33	4C
Q3	7D	R16	3C	R34	3B
Q4	6D	R17	4C	R35	5F
Q5	7F	R18	5C	R36	7E
R1	6F	R19	5C	R37	8E
R2	6F	R20	5C	R38	* thru
R3	5F	R21	5C	R55	
R4	7E	R22	5C	R56	6E
R5	7E	R23	6C	RT1	5E
R6	6E	R24	6D	T1	9C
R7	5E	R25	7D	TP1	7B
R8	4E	R26	7D	TP2	5C
R9	3E	R27	7C	TP3	8C
R10	3E	R28	8C	TP4	4E
R11	3E	R29	8C	U1	4C,5C
R12	4C,5C	R30	9C	U2	5E
R13	5E	R31	8D		

* NOT USED.
** NOT SHOWN

TRANSISTOR DC VOLTAGE CHART *

	E	B	C
Q1	0	+0.5V	0
Q2	+0.5V	+0.1V	0
Q3	0	-2.3V	0
Q4	0	+4.3V	0
Q5	+20V	+19.4V	+1.0V

INTEGRATED CIRCUIT DC VOLTAGE CHART *

	1	2	3	4	5	6	7	8	9	10	11	12	13	14
U1	0	0.0	-15	-15.0	-15	0	0	-15	+15.0	0	0	0	15	-15
U2	0	0	-15	0	0.0	-15	0	0	-15.0	0	+15.0	0	0	0

* ALL VOLTAGES MEASURED TO GROUND WITH AN/USM-111 OR EQUIVALENT IN SIDEBAND MODE.

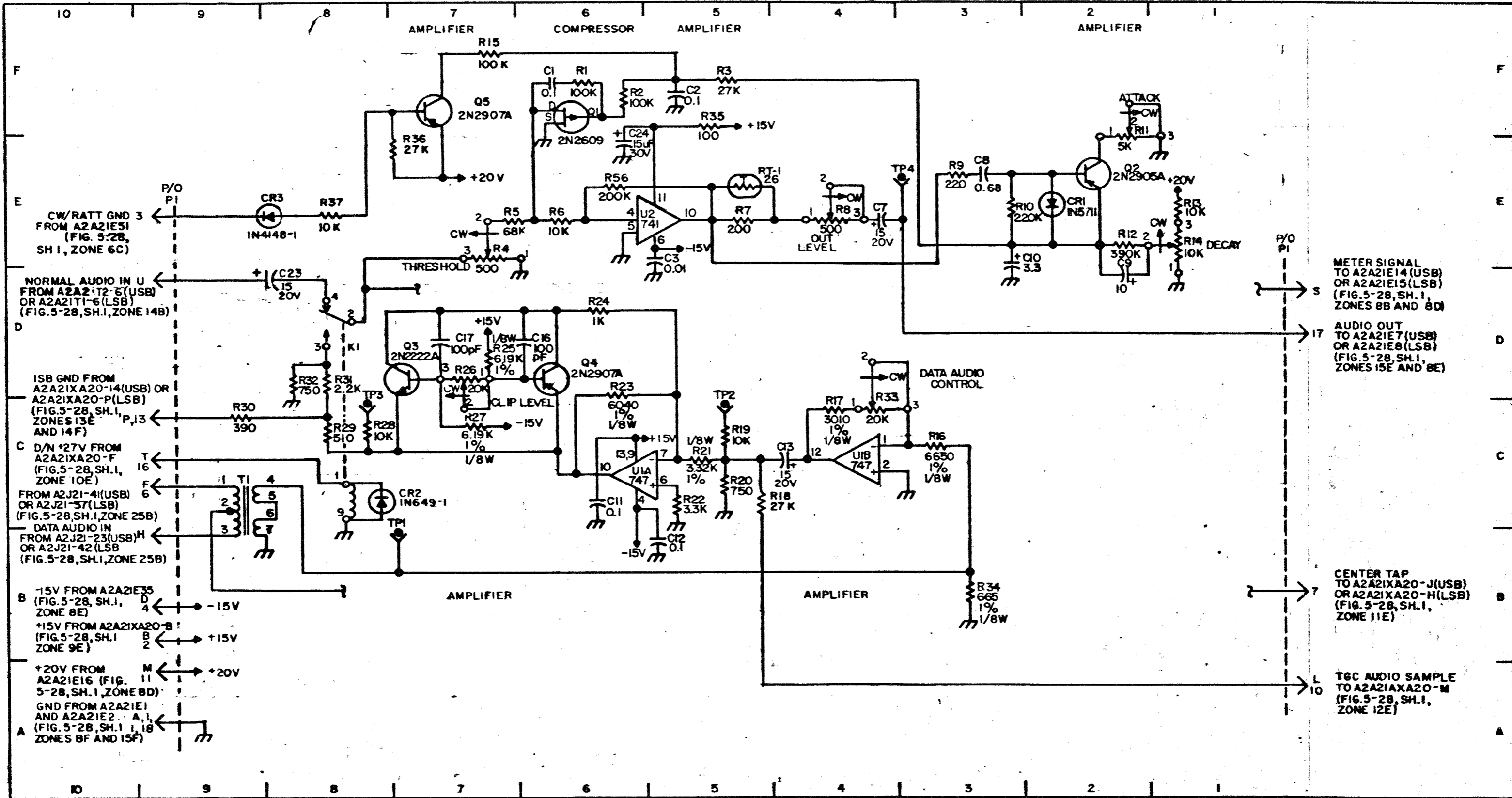


Figure 5-44. Audio Processor Assemblies A2A21A18 and A2A21A19, Maintenance Schematic Diagram

NOTES FOR FIGURE 5-45

GENERAL NOTES

- A. PARTIAL REFERENCE DESIGNATIONS ARE SHOWN. FOR COMPLETE DESIGNATION, PREFIX PARTIAL REFERENCE DESIGNATORS WITH APPLICABLE UNIT, ASSEMBLY AND/OR SUBASSEMBLY DESIGNATORS.
- B. UNLESS OTHERWISE SPECIFIED:
ALL RESISTORS ARE IN OHMS, $\pm 5\%$, 1/4 WATT.
ALL CAPACITORS ARE IN MICROFARADS.
- C. $\rightarrow \leftarrow$ INDICATES BREAK POINTS USED TO REDUCE DIAGRAM CLUTTER. TO FIND MATING END OF BROKEN LINE PROCEED IN PARALLEL WITH DIAGRAM BORDER.

PART LOCATION INDEX

REF DES	ZONE	REF DES	ZONE	REF DES	ZONE
A2A21A20C1	*	A2A21A20CR13	*	A2A21A20P1-12	26B
C2	*	CR14	24B	P1-13	26F
C3	*	CR15	25B	P1-14	26H
C4	*	CR16	24B	P1-15	2G
C5	14H	CR17	22B	P1-16	2H
C6	12G	CR18	14C	P1-17	2F
C7	21E	CR19	16G	P1-18	} *
C8	9D	CR20	21A	thru	
C9	4E	CR21	11D	P1-21	
C10	*	CR22	*	P1-A	26A
C11	*	CR23	24G	P1-B	26G
C12	22G	K1	20A	P1-C	26E
C13	9D	K2	12D	P1-D	26D
CR1	*	K3	16G	P1-E	2B
CR2	12H	P1-1	26A	P1-F	26D
CR3	11H	P1-2	26F	P1-G	*
CR4	8G	P1-3	*	P1-H	26B
CR5	10G	P1-4	2E	P1-J	26B
CR6	15H	P1-5	26A	P1-K	*
CR7	21F	P1-6	*	P1-L	2F
CR8	22F	P1-7	26B	P1-M	26D
CR9	22E	P1-8	*	P1-N	*
CR10	23F	P1-9	*	P1-O	*
CR11	7E	P1-10	26F	P1-P	26G
CR12	7D	P1-11	26F	P1-Q	*

* NOT USED

NOTES FOR FIGURE 5-45 (CONTINUED)

PART LOCATION INDEX (CONTINUED)

REF DES	ZONE	REF DES	ZONE	REF DES	ZONE
A2A21A20P1-R	*	A2A21A20R7	}	A2A21A20R31	3E
P1-S	26G	thru		*	R32
P1-T	26J	R10		R33	*
Q1	11H	R11	8F	R34	*
Q2	9H	R12	10F	R35	*
Q3	*	R13	8F	R36	*
Q4	*	R14	11F	R37	13D
Q5	9G	R15	18F	R38	*
Q6	11G	R16	19F	R39	*
Q7	19E	R17	19F	R40	14B
Q8	19E	R18	19E	R41	23G
Q9	20F	R19	19E	R42	24B
Q10	21B	R20	20E	R43	13H
Q11	5D	R21	22F	R44	13H
Q12	14E	R22	22E	R45	15H
Q13	20F	R23	22F	R46	21G
Q14	23G	R24	10D	R47	7D
R1	*	R25	9C	U1	*
R2	*	R26	8D	U2	14G
R3	11J	R27	8C	U3	8D, 10D
R4	11H	R28	6D	U4	*
R5	10H	R29	5D	U5	*
R6	10G	R30	5D	U6	4D
				U7	21G

* NOT USED