

From Preliminary Manual

NOTES FOR FIGURE 5-28 (CONTINUED)

PART LOCATION INDEX (CONTINUED)

REF DES	SHEET	ZONE
A2A21XA20-3	1	9F
-4	1	10F
-5	1	10F
-6	1	10F
-7	1	11F
-8	1	11F
-9	1	12F
-10	1	12F
-11	1	12F
-12	1	13F
-13	1	13F
-14	1	14F
-15	1	14F
-16	1	14F
-17	1	15F
-18	1	15F

G
F
E
D
C
B
A

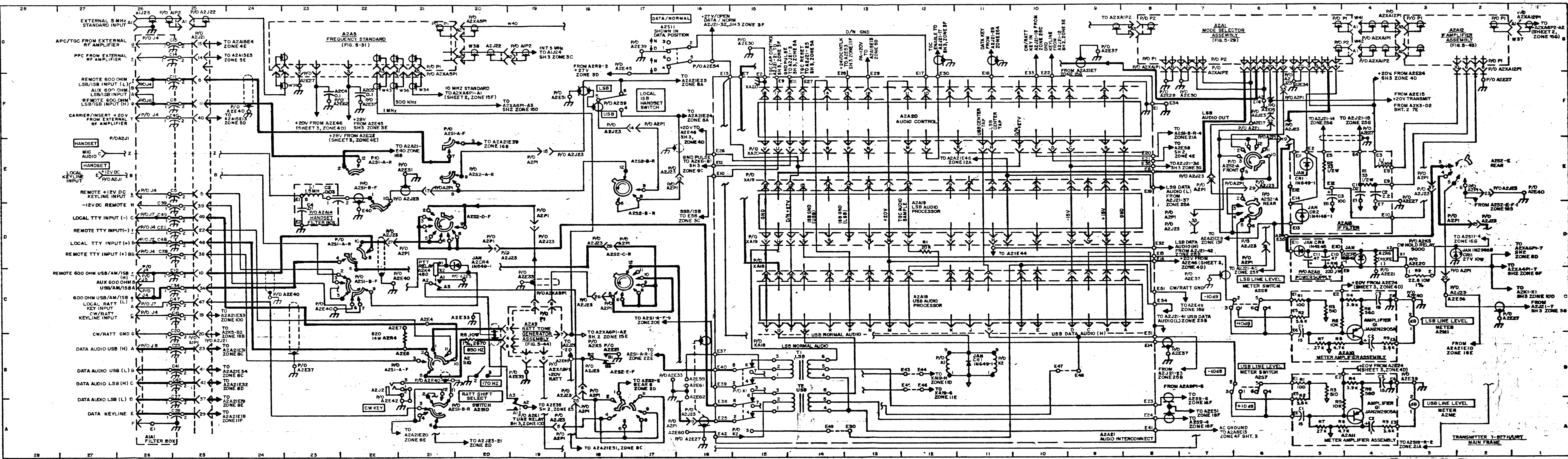


Figure 5-28. Transmitter Case A1 and Main Frame A2, Maintenance Schematic Diagram (Sheet 1 of 3)

From Preliminary Manual

From Preliminary Manual

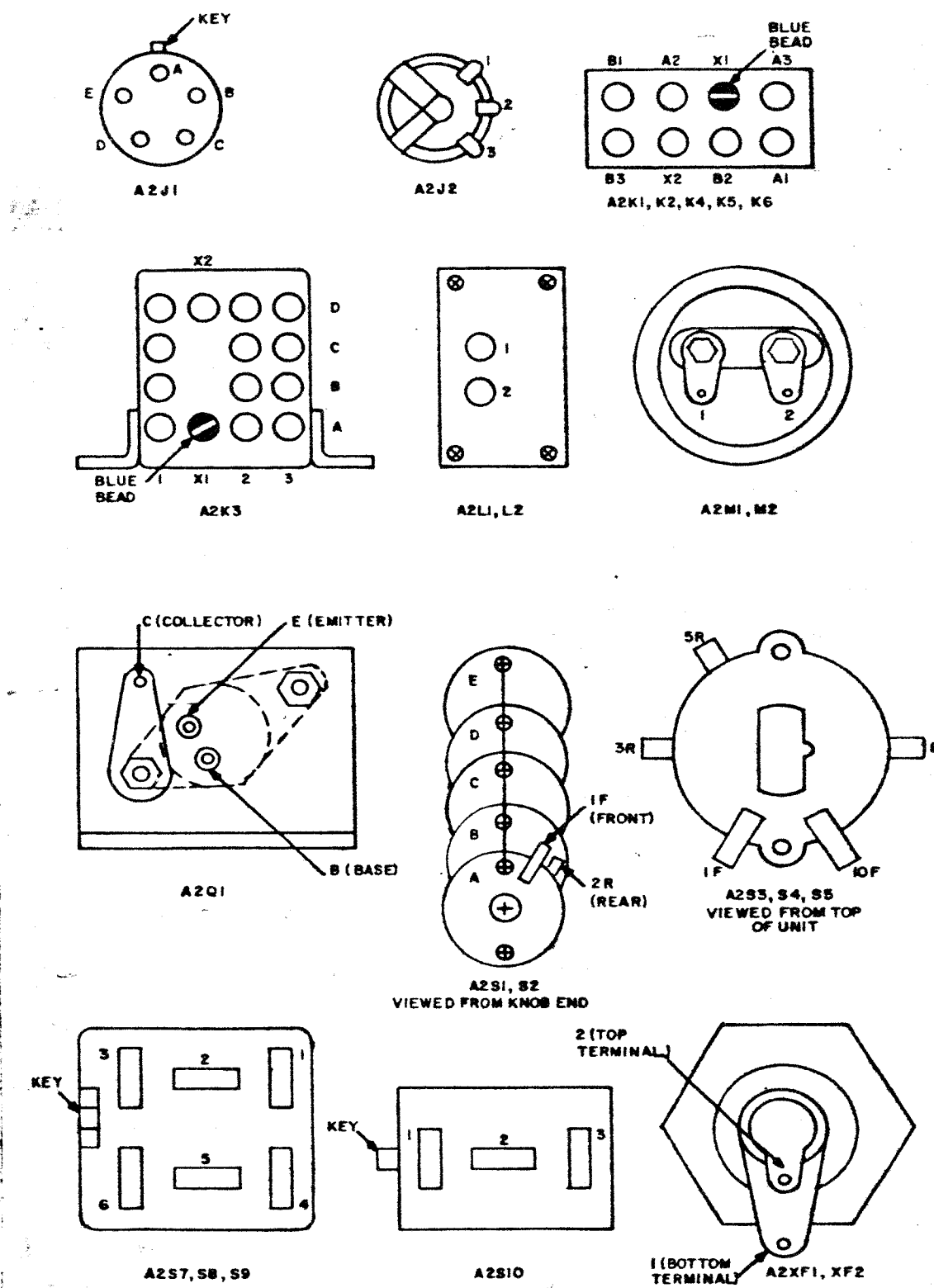
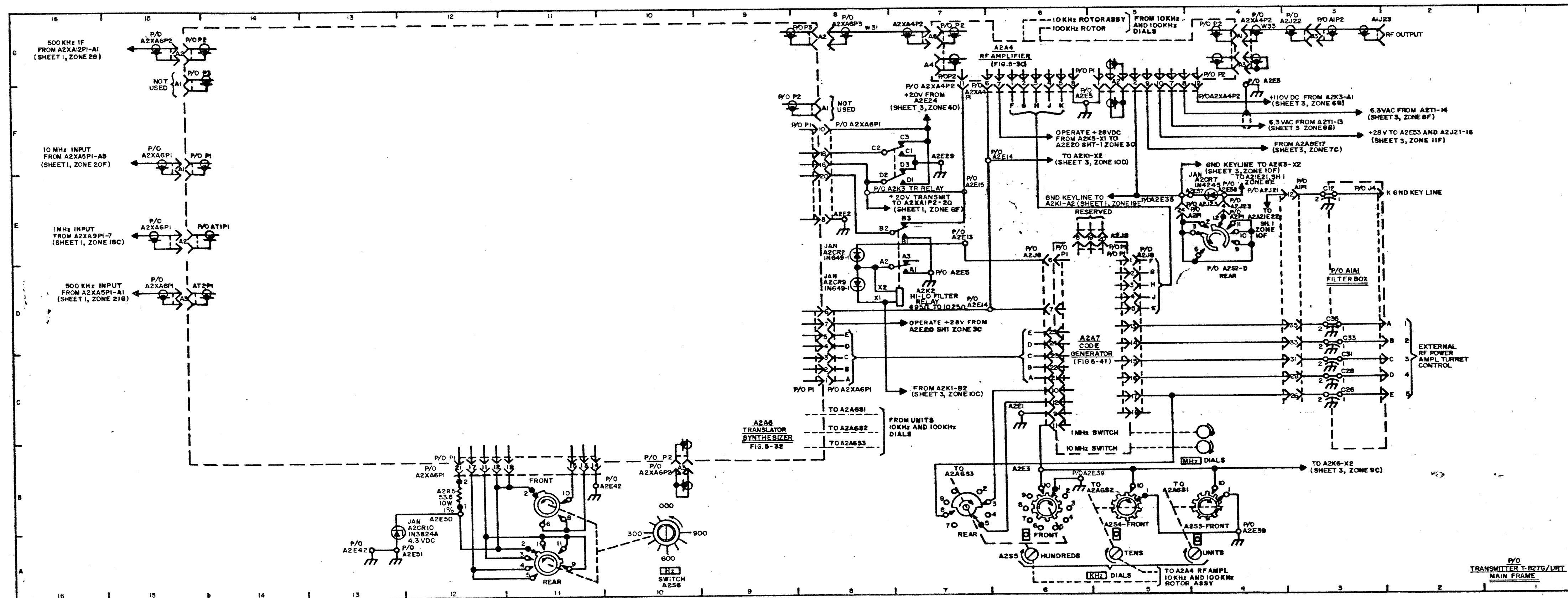


Figure 5-28. Transmitter Case A1 and Main Frame A2, Maintenance Schematic Diagram (Sheet 2 of 3)

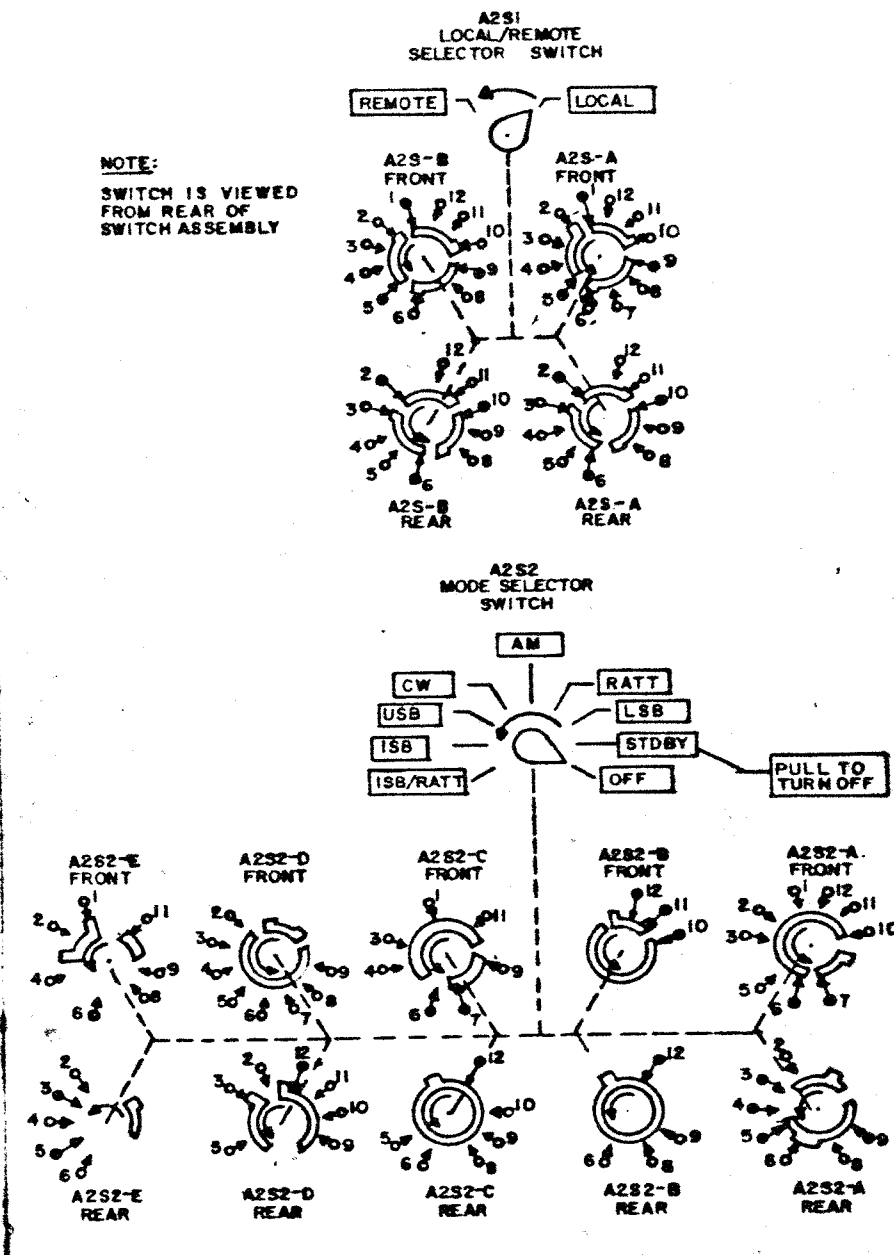
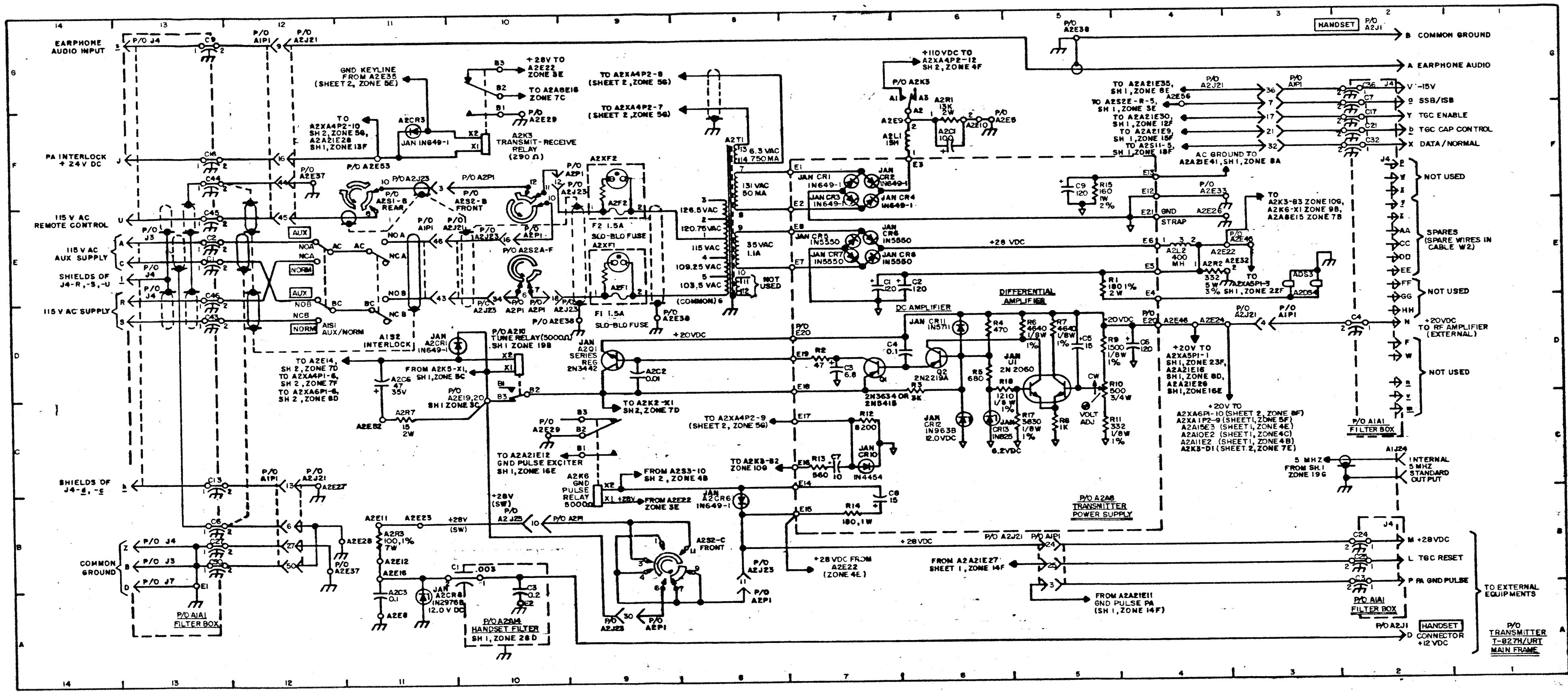


Figure 5-28. Transmitter Case A1 and Main Frame A2, Maintenance Schematic Diagram (Sheet 3 of 3)