

PERMANENT RETENTION COPY

KAM-145B/TSEC

COMSEC ACCOUNT 880097

No 8084

CRYPTO

CONFIDENTIAL

CRYPTO

REPAIR AND MAINTENANCE INSTRUCTIONS FOR TSEC/KW-7**Volume III--Illustrated Parts List****HANDLING INSTRUCTIONS**

1. Upon receipt, consult List of Effective Pages and verify presence of each page.
2. Formal authorization for access to CONFIDENTIAL cryptomaterial is required for personnel to have access to this publication.
3. This publication will become effective upon receipt and will supersede KAM-145A/TSEC which may be destroyed.
4. Extracts from this publication may be made as necessary. Such extracts will be classified CONFIDENTIAL, marked CRYPTO, and accounted for locally until destroyed.
5. This publication may not be carried in aircraft for use therein.
6. THIS PUBLICATION OR THE INFORMATION IT CONTAINS MAY NOT BE RELEASED TO FOREIGN NATIONALS WITHOUT PRIOR SPECIFIC

APPROVAL FROM THE DIRECTOR, NATIONAL SECURITY AGENCY. ALL APPROVALS WILL IDENTIFY THE SPECIFIC INFORMATION OR COPIES OF THIS PUBLICATION AUTHORIZED FOR RELEASE TO SPECIFIC FOREIGN HOLDERS. SUCH APPROVALS DO NOT CONSTITUTE AUTHORIZATION FOR FURTHER RELEASE OF SIMILAR INFORMATION OR ADDITIONAL COPIES TO THE SAME OR OTHER FOREIGN HOLDERS. ALL REQUESTS FOR ADDITIONAL ISSUANCES MUST RECEIVE PRIOR SPECIFIC APPROVAL FROM THE DIRECTOR, NATIONAL SECURITY AGENCY.

7. THIS PUBLICATION CONTAINS INFORMATION AFFECTING THE NATIONAL DEFENSE OF THE UNITED STATES WITHIN THE MEANING OF THE ESPIONAGE LAWS, TITLE 18, U.S.C. SECTIONS 793, 794, AND 798. ITS TRANSMISSION OR THE REVELATION OF ITS CONTENTS IN ANY MANNER TO AN UNAUTHORIZED PERSON IS PROHIBITED BY LAW.

NATIONAL SECURITY AGENCY
FORT GEORGE G. MEADE, MARYLAND 20755

February 1969

Declassified by NSA 03-30-2008
pursuant to E.O. 12958, as
amended, FOIA Case# 47793

CRYPTO

CONFIDENTIAL

CRYPTO

ORIGINAL
(Reverse Blank)

~~CONFIDENTIAL~~

KAM-145B/TSEC

INTRODUCTION

1. **Contents.**—This publication, KAM-145B/TSEC, is Volume III of three volumes containing repair and maintenance information for the TSEC/KW-7 Electronic Tactical Teletypewriter Security Equipment. It contains a complete Illustrated Parts List of replaceable electronic and mechanical parts used in the KW-7 and the ancillary equipments designed for use with the KW-7 equipment. The short and long titles of the publication are given below.

Short Title	Long Title
KAM-143B/TSEC	Repair and Maintenance Instructions for TSEC/KW-7 (U) (Volume I—Description, Installation, and Theory of Operation).
KAM-144B/TSEC	Repair and Maintenance Instructions for TSEC/KW-7 (U) (Volume II—Preventive Maintenance, Troubleshooting and Diagrams).
KAM-145B/TSEC	Repair and Maintenance Instructions for TSEC/KW-7 (U) (Volume III—Illustrated Parts List).

Personnel maintaining the TSEC/KW-7 will need these three publications.

2. **Qualifications for Maintenance Personnel.**—For qualifications for maintenance men, see chapter 1 of KAM-143B/TSEC.

3. **Modification of Equipment.**—For modification of equipment, see chapter 1 of KAM-143B/TSEC.

4. **Terminology.**—At various places in this manual, the equipment is referred to as the TSEC/KW-7 or simply as the KW-7. Some of the short title nomenclature has been dropped for the sake of brevity. It should be understood that all such references mean the production model of the TSEC/KW-7 equipment.

5. **Comments and Recommendations.**—Comments and recommendations regarding the TSEC/KW-7 equipment or the contents of this publication are invited. Members of the U. S. Armed Forces submitting such comments and recommendations should forward them to:

For U. S. Army Accounts: Commanding General
U. S. Army Strategic Communications Command
Fort Huachuca, Arizona 85613
ATTN: COMSEC NMP

For U. S. Navy Accounts: Commander,
Naval Security Group Command
Naval Security Group Headquarters
3801 Nebraska Ave., N. W.
Washington, D. C. 20390
ATTN: G61

For U. S. Air Force Accounts:

Commander
U. S. Air Force Cryptologic Depot
U. S. Air Force Security Service
San Antonio, Texas, 78241
ATTN: DMD

All other holders of the TSEC/KW-7 equipment should forward their comments and recommendations through proper organizational channels to: Director, National Security Agency, Fort George G. Meade, Maryland 20755, ATTN: S2.

6. **Group Assembly Parts List.**—The group assembly parts list provides an illustration and description of assemblies and parts. It is intended for use in identifying and requisitioning parts and illustrating general disassembly relationship.

a. **Figure and Index No. Column.**—This column provides a reference to the figure number and the index number within that illustration which will enable the technician to locate a particular part.

b. **Reference Designation Column.**—The unit numbering portion of MIL-STD-16 is used for assignment of reference designations. All reference designations that have been assigned to parts appear in this column.

c. **Description Column.**—Noun names and descriptions of parts are shown on this column. Some part descriptions are indented to show the relationship of one part or assembly to another part or assembly. Those parts used to attach parts or assemblies to each other are designated as "Attaching Parts". These attaching parts are listed immediately following the assembly or part that they attach. The symbol "—*—*" is used to indicate the end of the attaching parts and the continuation of the assembly listing. The symbol "NHA" is the abbreviation for "Next Higher Assembly".

d. **Part Number Column.**—The part number for each item is shown in this column. Part numbers in this list include MIL, JAN, or ONO (NSA) numbers. When the words "No Number" appear in the list they mean that this item is a part of another item and cannot be ordered by itself.

e. **Units Per Assembly Column.**—The number appearing in this column is the total quantity for that particular assembly. For a total number of parts in an overall unit, see the Numerical Index. The symbol "Ref" indicates that the listing is a repetition and reference should be made to the next higher assembly. The symbol "NP" indicates the specific part is "not procurable" and the symbol "AR" indicates the quantity of the item should be ordered "as required".

f. **Usable on Code Column.**—This column contains suitable coding for assemblies and/or parts to indicate specific usability by serial and/or model numbers of equipments for which this Illustrated Parts List is prepared. When the column is blank, the part is applicable to all equipments covered by this listing.

MASTER USABLE ON CODE LIST

A. - KW-7 Serial 1-4545	E. - KWX-8 Serial 1-2422
B. - KW-7 Serial 4546 and above	F. - KWX-8 Serial 2423 and above
C. - KW-7 Serial 1-8368	G. - Power Supply (E-AJX) Serial 1-8457
D. - KW-7 Serial 8369 and above	H. - Power Supply (E-AJX) Serial 8458 and above

~~CONFIDENTIAL~~

ORIGINAL 3

~~CONFIDENTIAL~~

KAM-145B/TSEC

MASTER USABLE ON CODE LIST (Continued)

- I. - A17 Filter Assembly-0N008766
(cannot remove the back and replace the internal filters).
- J. - A17 Filter Assembly-0N008166.
Note: Both Filter Assemblies are fully interchangeable.
- K. - KW-7 Serial 1-394
- L. - KW-7 Serial 395 and above
- M. - KW-7 Serial 1-25000
- N. - KW-7 Serial 25001 and above
- P. - KW-7 Serial 4546-25000
- Q. - KW-7 Serial 25000 and above
- R. - KW-9 Serial 1-1500
- S. - KW-9 Serial 1501 and above
- T. - E-BAT Serial 1-36,500
- U. - E-BAT Serial 36,501 and above
- V. - KWL-4A Serial 1-3286
- W. - KWL-4A Serial 3287 and above
- X. - KW-8 Serial 1-7236
- Y. - KW-8 Serial 7237 and above
- Z. - KWF-1 Serial 1-4292
- AA. - KWF-1 Serial 4293 and above

Note: Power supplies are internally different and require separate listings; both supplies are fully interchangeable.

7. Numerical Index.—The numerical index is an alpha-numerical listing of all part numbers included in the Group Assembly Parts List. It also contains columns for the Stock Number, Fig. and Index No. and the Total Quantity Used.

a. Part No. Column.—The part numbers are listed alpha-numerically in this column. A part listed as "No Number" in the Group Assembly Parts List is listed in the part number column by the principal noun name of its description.

b. Stock Number Column.—This column provides a cross-reference of part and stock numbers for items in the Group Assembly Parts List that have been assigned Federal Stock Numbers.

c. Figure and Index Number Column.—This column provides a cross-reference between the part number and the figure and index number. With the part number, it is possible to locate the place(s) where the part is illustrated.

d. Total Quantity Used Column.—The quantities listed in this column are by equipments in the KW-7 system. This is done so that a holder with only a portion of the equipments can determine the total number of any item used in his particular installation. The following list points out the figures that illustrate the various equipments.

- KW-7 - figures 1 through 17A
Remote Control Unit - figure 18
Two-Wire Loop Adapter Unit - figure 19
Functional Remote Control Unit - figure 20
Rack Mount and Shelf Mount Housing - figures 21 and 22
Special Handling Equipment - figure 23
Plain Text Safety Unit - figure 24
Permuter Adapter Unit - figure 25
Fixed Plant Adapter Unit - figures 26 through 28

If a part is used several times in one equipment, the total quantity is given opposite the part number the first time it appears. Then, only the figure index numbers are given for each other time the part is used in the same equipment. If the part is used in another equipment, the part number is repeated and the total quantity is given for that equipment opposite the part number.

~~CONFIDENTIAL~~

8. How to Use the Parts List.—There are two general approaches to using the parts list. One is to find a part number if the major assembly is known; the other is to find where a part is illustrated if the part number is known.

a. To find a part number if major assembly is known, proceed as follows:
(1) In the List of Illustrations, find the page number of the illustration for the particular major assembly.

(2) Locate the part in the illustration and note the index number assigned to the part.
(3) Find the index number in the figure and index number column of the Group Assembly Parts List. Information concerning the part is shown in the columns to the right of the index number.

b. To find where a part is illustrated if the Part Number is known, proceed as follows:

- (1) Find the part number in the Numerical Index.
(2) To the right of the part number, find the figure and index number for the part.
(3) Locate the page number of this figure in the List of Illustrations.
(4) Then, locate the index number on the illustration. Also, other information concerning the part can be obtained by locating the index number in the Group Assembly Parts List for that particular illustration.

9. Ordering Parts.—Parts shall be ordered in accordance with instructions by the Department or Agency having custody of the equipment.

Note: Navy holders shall order parts in accordance with instructions issued by the U. S. Navy Electronics Supply Office.

10. Disposal of Worn and/or Defective Parts.—Worn and/or defective parts shall be disposed of in accordance with instructions issued by the Department or Agency having custody of the equipment.

Note: Navy holders shall dispose of worn and/or defective parts in accordance with instructions issued by the Naval Electronics Systems Command.

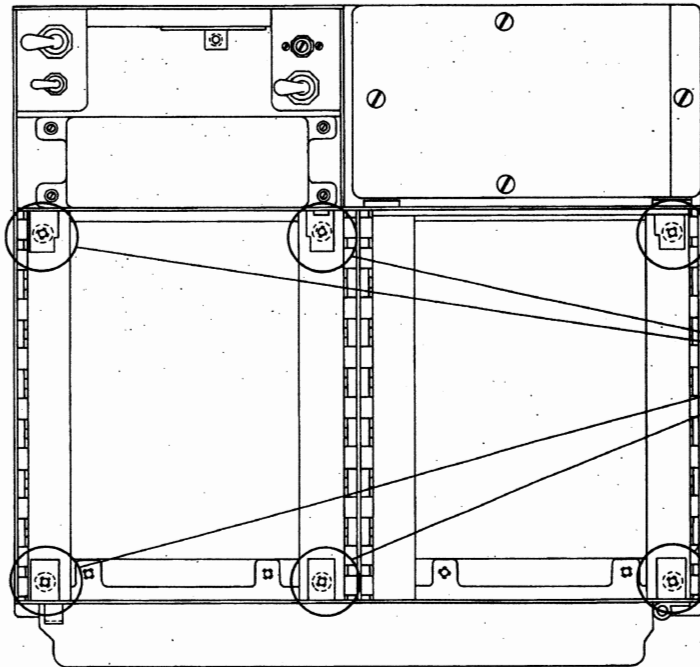
11. Replacing the Six Top Cover Floating Nuts.—TSEC/KW-7 equipments with serial numbers between 4300 and 6087 use six floating nuts to secure the top cover. In some cases these floating nuts may become defective. If they do, they should be replaced with 0N008706 stake nuts. The replacement procedure is as follows:

- a. Remove the KW-7 top cover.
- b. Remove the defective top cover nut from the KW-7. It is possible that the nut has fallen to the bottom of the unit and it may be necessary to remove the bottom cover.
- c. Position nut (0N008706) on underside of bracket as shown in following sketch. Align spline of nut with hole in bracket.
- d. Position washer (MS15795-807) on top of bracket in line with hole.
- e. Insert cap screw (MS16996-10) through washer and into nut, and tighten screw with 5/32 inch Allen wrench until spline is pressed completely into bracket hole.
- f. Remove cap screw and washer.
- g. Replace KW-7 top and bottom covers.

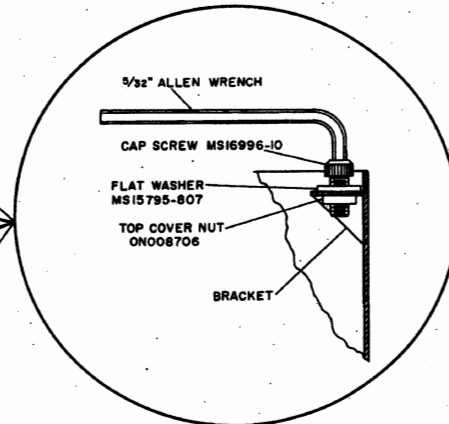
ORIGINAL 4

~~CONFIDENTIAL~~

KAM-145B/TSEC



TOP COVER NUT LOCATION (TOP VIEW OF KW-7 WITH COVER REMOVED)



REPLACEMENT METHOD

~~CONFIDENTIAL~~

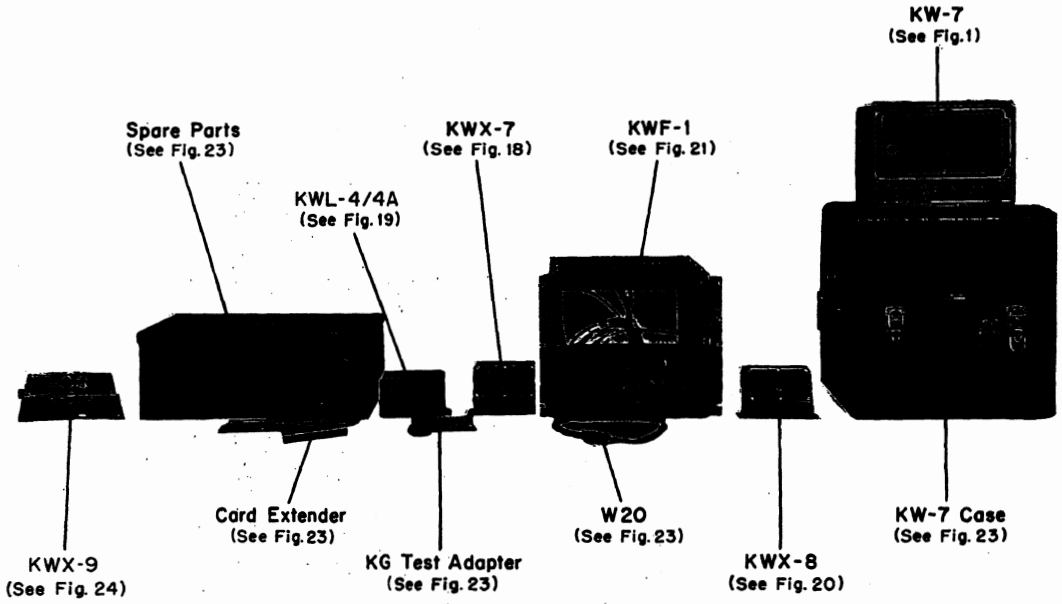
~~CONFIDENTIAL~~

LIST OF ILLUSTRATIONS

<i>Fig. No.</i>	<i>Description</i>	<i>Page</i>
1	KW-7	10
2	KW-7 Power Supply (E-AJX) 0N007785-1	16
2A	KW-7 Power Supply (E-AJX) 0N007785-2	20
3	Shift Register No. 1 (E-AJK)	24
4	Shift Register No. 2 (E-AJL)	25
5	Key Generator No. 1 (E-AJM)	28
6	Key Generator No. 2 (E-AJL)	29
7	Alarm (E-AJO)	30
8	Master Control (E-AJN)	31
9	Clock (E-AJQ)	32
10	Input Counter (E-AJP)	33
11	Registers (E-AJS)	34
12	Output Counter (E-AJR)	35
13	Input Circuit (E-AJU)	36
14	Indicator Counter (E-AJT)	37
15	Output Circuit (E-AJW)	38
16	Noise Circuit (E-AJV)	39
17	Radio Interference Filter (1A17)	40
17A	Relay Retainer Bracket (E-BAT)	42
18	Remote Control Unit (KWX-7)	44
19	Two-Wire Loop Adapter Unit (KWL-4)	50
20	Functional Remote Control Unit (KWX-8)	54
21	Rack Mount and Shelf Mount Housing Assembly (KWF-1)	56
22	Electrical Equipment Cable Assemblies (for KWF-1)	60
23	Special Handling Equipment	64
24	Plain Text Safety Unit (KWX-9)	68
25	Permuter Adapter Unit (KWX-10)	70
26	Fixed Plant Adapter Unit (KWX-11)	74
27	TD Step Continuous (E-BLR)	78
28	Line In-Loop In (E-BLS)	80

~~CONFIDENTIAL~~

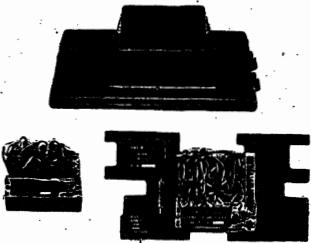
~~CONFIDENTIAL~~



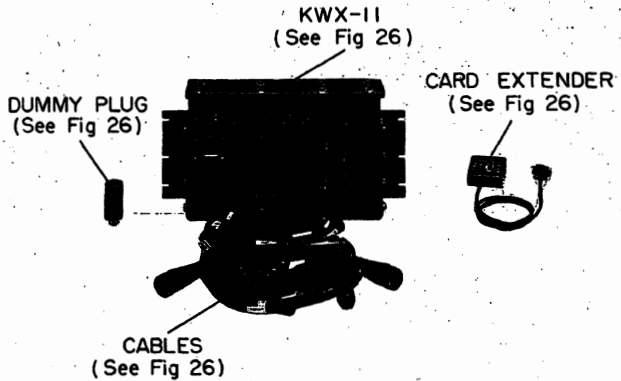
~~CONFIDENTIAL~~

~~CONFIDENTIAL~~

KAM-145B/TSEC



KWX-10
(See Fig. 25)



KWX-11
(See Fig 26)

DUMMY PLUG
(See Fig 26)

CARD EXTENDER
(See Fig 26)

CABLES
(See Fig 26)

~~CONFIDENTIAL~~

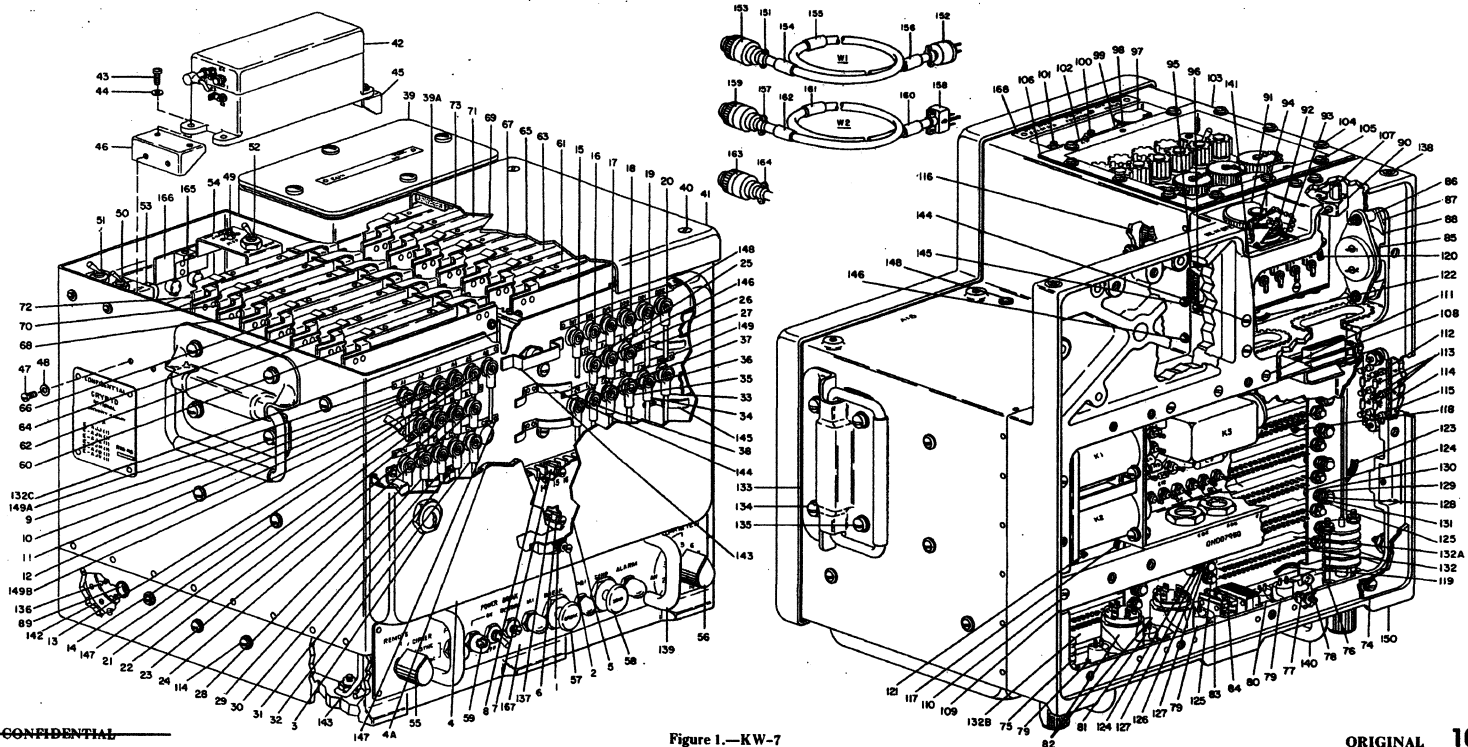


Figure 1.—KW-7

CONFIDENTIAL

KAM-145B/TSEC

GROUP ASSEMBLY PARTS LIST

Fig. & Index No.	Reference Designation	Description	Part No.	Units Per Assy.	Usable on Code	
						1
1	1	Main Unit-TSEC/KW-7	0N007757	1		
		Cover, Front	0N007892-1*	1	A	
		Cover, Front	0N007892-2*	1	B	
		Cover, Front	0N008726-2	1	Q	
-1		Ring, Retaining	0N008403	2		
-2		Stud Assembly, Turnlock Fastener	0N008402	2		
-3		Lock, Rim	0N008388	1		
		(Attaching Part)				
		Washer, Lock	MS53333-47	1		
-4		Cover	0N008827	1		
		Pad Cushion	0N008561	1		
-5		Cover, Patch Cord	0N007943	1		
		(Attaching Parts)				
		Screw	MS51957-27	6		
		Washer	MS53338-136	6		
		Washer	MS15795-805	6		
-6		Nut, Sleeve	0N008073-1	3	A	
		Spacer, Threaded	0N008196-2	3	B	
-7		Nut, Sleeve	0N008073-2	3	A	
		Spacer, Threaded	0N008196-1	3	B	
-8		Fanning Strip	0N008111	1		
-9	W1	Cable Assembly	0N008471-1	1		
-10	W2	Cable Assembly	0N008471-2	1		
-11	W3	Cable Assembly	0N008471-3	1		
-12	W4	Cable Assembly	0N008471-4	1		
-13	W5	Cable Assembly	0N008471-5	1		
-14	W6	Cable Assembly	0N008471-6	1		
-15	W7	Cable Assembly	0N008471-7	1		
-16	W8	Cable Assembly	0N008471-8	1		
-17	W9	Cable Assembly	0N008471-9	1		
-18	W10	Cable Assembly	0N008471-10	1		
-19	W11	Cable Assembly	0N008471-11	1		
-20	W12	Cable Assembly	0N008471-12	1		
-21	W13	Cable Assembly	0N008471-13	1		
-22	W14	Cable Assembly	0N008471-14	1		
-23	W15	Cable Assembly	0N008471-15	1		
-24	W16	Cable Assembly	0N008471-16	1		
-25	W17	Cable Assembly	0N008471-17	1		
-26	W18	Cable Assembly	0N008471-18	1		
-27	W19	Cable Assembly	0N008471-19	1		
-28	W20	Cable Assembly	0N008471-20	1		
-29	W21	Cable Assembly	0N008471-21	1		
-30	W22	Cable Assembly	0N008471-22	1		

*0N007892-1 and 0N007892-2 superseded by 0N008726-2; however they may be used until existing stock is depleted.

Note: Cable Assembly 0N008460 is a replacement for permuter Cable Assemblies 0N008471-1 thru 0N008471-30. Plate, Designation, 0N008282, supplies the appropriate numeral for the Cable connector.

GROUP ASSEMBLY PARTS LIST

Fig. & Index No.	Reference Designation	Description	Part No.	Units Per Assy.	Usable on Code	
						1
1-31	W23	Cable Assembly	0N008471-23	1		
-32	W24	Cable Assembly	0N008471-24	1		
-33	W25	Cable Assembly	0N008471-25	1		
-34	W26	Cable Assembly	0N008471-26	1		
-35	W27	Cable Assembly	0N008471-27	1		
-36	W28	Cable Assembly	0N008471-28	1		
-37	W29	Cable Assembly	0N008471-29	1		
-38	W30	Cable Assembly	0N008471-30	1		
-39	A16	Power Supply, E-AJX (See fig. 2)	0N007785-1	1	H	
		Power Supply, E-AJX (See fig. 2-A)	0N007785-2	1	G	
		(Attaching Parts)				
		Screw	MS51957-49	6	H	
		Washer	MS15795-807	6		
-39A		Cover Assembly, Top	0N008613	1		
-40		Pad, Cushioning	0N008238-2	2		
-41		Screw, Machine	0N008469	7		
-42		Cover, Top	0N008638	1		
		Time Standard, E-AJY Signal-IMC	0N008339	1		
		(Attaching Parts)				
		Screw	MS51957-30	4		
		Washer	MS51795-805	4		
		Bracket, Support-RH, Oscillator	0N007965	1	A	
		Bracket, Support-LH, Oscillator	0N007966	1	A	
		(Attaching Parts)				
		Screw	MS51957-43	4		
		Washer	MS15795-807	4		
		Resistor, Variable: 500 Ohms 10pct, 1/2 w	RV6LAYSA501A	1		
	R10	Switch, Toggle	0N008412-1	1		
	S9	Switch, Toggle	0N008423	1		
	S10	Switch, Toggle	0N008413	1		
	S11	Bracket, Support, LH	0N008011	1	A	
		Bracket, Support, RH	0N007935	1	A	
		(Attaching Parts)				
		Screw	MS51957-43	4		
		Washer	MS15795-807	4		
		Knob, Marker	0N008375	1		
		Knob, Pointer	MS31528-1K2B	1		
		Lens, Indicator Light	0N008399-1	1		
		Lens, Indicator Light	0N008399-2	1		
		Lamp, Incandescent, Miniature Type 345 (No Substitutes)	0N008392	7		
	DS1-DS7	Printed Wiring Assembly-Shift Register No. 1, E-AJX	0N007902	1		
	A1	(See fig. 3)				

CONFIDENTIAL

GROUP ASSEMBLY PARTS LIST

Fig. & Index No.	Reference Designation	Description	Part No.	Units Per Assy.	Usable on Code	
						1
-61	A2	Printed Wiring Assembly-Shift Register No. 2, E-AJJ (See fig. 4)	0N007901	1		
-62	A3	Printed Wiring Assembly-Key Generator No. 1, E-AJM (See fig. 5)	0N007904	1		
-63	A4	Printed Wiring Assembly-Key Generator No. 2, E-AJL (See fig. 6)	0N007903	1		
-64	A5	Printed Wiring Assembly-Alarm, E-AJO (See fig. 7)	0N007906	1		
-65	A6	Printed Wiring Assembly-Master Control, E-AJN (See fig. 8)	0N007906	1		
-66	A7	Printed Wiring Assembly-Clock, E-AJQ (See fig. 9)	0N007908	1		
-67	A8	Printed Wiring Assembly-Input Counter, E-AJP (See fig. 10)	0N007907	1		
-68	A9	Printed Wiring Assembly-Registers, E-AJS (See fig. 11)	0N007910	1		
-69	A10	Printed Wiring Assembly-Output Counter, E-AJR (See fig. 12)	0N007909	1		
-70	A11	Printed Wiring Assembly-Input Circuit, E-AJU (See fig. 13)	0N007912	1		
-71	A12	Printed Wiring Assembly-Indicator Counter, E-AJT (See fig. 14)	0N007911	1		
-72	A13	Printed Wiring Assembly-Output Circuit, E-AJW (See fig. 15)	0N007914	1		
-73	A14	Printed Wiring Assembly-Noise Circuit, E-AJV (See fig. 16)	0N007913	1		
-74		Cover, Bottom-Electrical Equipment (Attaching Parts)	0N007918	1		
		Screw	MS15958-63	19		
		Washer	MS15795-808	19	A	
-75	S6	Switch, Rotary	0N008338	1		
-76	S1	Switch, Rotary	0N008337	1		
-77	E41-E46	Terminal, Stud	0N008292	6		
		Washer (Attaching Parts)	MS33335-57	6		
-78	C1-C13	Capacitor, Fixed, Ceramic: 820pf, 20pct, 500V	CK60AW821M	13		
-79	XDS1,XDS3, XDS7	Light, Indicator (Red)	0N008391-1	3		
-80	XDS2	Light, Indicator (Green)	0N008391-2	1		
-81	XDS5	Light, Indicator (Amber)	0N008391-3	1		
-82	S4,S5	Light, Switch	0N008411	2		
-83	S3	Switch, Push	0N008419-2	1		
-84	S2	Switch, Toggle	0N008410	1		
-85		Retainer, Earphone Element (Attaching Parts)	0N007949	1		
		Screw	MS15957-50	2		
		Washer	MS15795-807	2		

GROUP ASSEMBLY PARTS LIST

Fig. & Index No.	Reference Designation	Description	Part No.	Units Per Assy.	Usable on Code	
						1
1-86		Spacer, Sleeve	0N008384	2		
-87		Shim, Speaker	0N008579	1		
-88	LS1	Earphone Element, Modified	0N008346	1		
-89		Screen, Wire Fabric	0N007898	1		
-90	FL1	Filter, Radio Interference (Attaching Parts)	0N008446	1	A	
		Screw	MS15957-17	2		
		Washer	MS15795-903	2		
-91		Cap, Electrical	0N008422-1	1		
-92	J1	Connector, Receptacle, Electrical (Attaching Parts)	MS3112E-18-32S	1		
-93		Screw	MS15957-15	2		
		Washer	MS15795-903	2		
		Screw	MS15795-17	2		
		Washer	MS33338-135	2		
		Washer	MS15795-903	2		
		Nut	MS335649-44	2		
-95		Shielding Gasket, Electronic	0N008023	1		
-96	J3	Connector, Receptacle, Electrical (Attaching Parts)	0N008353-2	1		
		Screw	MS15957-6	1		
		Washer	MS33338-132	1		
		Washer	MS15795-902	1		
		Nut	MS335649-24	1		
-97		Cover, Telephone Jack	0N008436	1		
-98	J2	Jack, Phone	JJ089	1		
-99		Washer	0N008572-1	1		
-100	S8	Switch, Rotary	0N008386	1		
-101	S7	Switch, Rotary	0N008385	1		
-102		Washer	0N008572-1	2		
-103	A17	Filter Assembly, Radio Interference (See fig. 17)	0N008166	1		
		Filter Assembly, Radio Interference (See fig. 17) (Attaching Parts)	0N008766	1	I	
		Screw	MS15957-43	9		
		Washer	MS15795-807	9		
		Screw	MS15957-46	3		
		Washer	MS15795-807	3		
-106		Gasket, Shielding	0N008165	1		
-107	TB1	Bracket, Ground (Attaching Parts)	0N008239	1		
		Screw	MS15957-17	2		
		Washer	MS33338-135	2		
		Washer	MS15795-903	2		

CONFIDENTIAL

GROUP ASSEMBLY PARTS LIST

Fig. & Index No.	Reference Designation	Description							Part No.	Units Per Assy.	Usable on Code
		1	2	3	4	5	6	7			
1-107 (Cont)		Washer							MS33335-57	2	
		Nut							MS33649-44	2	
-108	J4	Connector							0N00376-2	1	
		(Attaching Parts)									
		Mechanism, Screw Locking							0N00297-1	2	
-109	A18	Chassis Assembly, Relay (See fig. 17A)							0N007950	1	
-110		Screw							MS31960-66	2	
-111		Screw							MS31969-45	3	
-112	R7	Resistor, Fixed, Composition: 300 Ohms, 5pct, 1/4 w							RC07GF30J1	1	
-113	R5, R6, R8	Resistor, Fixed, Composition: 3600 Ohms, 5pct, 1/4 w							RC07GF362J	3	
-114	TB2	Terminal Board							0N007939	1	
		(Attaching Parts)									
		Screw							MS31957-31	2	
		Washer							MS15795-805	2	
		Washer							MS33338-136	2	
		Nut							MS33649-84	2	
-115		Plate, Insulator							0N008022	1	
-116		Clamp							MS25291-6	2	A
		Clamp							MS25291-6	1	B
		(Attaching Parts)									
		Screw							MS31957-44	2	
		Washer							MS15795-807	2	
		Washer							MS33338-137	2	
		Nut							MS33649-84	2	
-117	W32	Wiring Harness, Branched Unit							0N008215	1	
-118	W33	Wiring Harness, Branched Unit							0N008216	1	
-119	W38	Wiring Harness, Branched Unit							0N008844	1	B
	W39	Wiring Harness, Branched Unit							0N008846	1	B
	W40	Wiring Harness, Branched Unit							0N008854	1	B
-120	W35	Wiring Harness, Branched Unit							0N008234	1	A
-121	W31	Wiring Harness, Branched Unit							0N008214	1	
-122	W36	Wiring Harness, Branched Unit							0N007959	1	
-123	W37	Wiring Harness, Branched Unit							0N006031	1	
-124		Pin, Straight							0N008036-1	28	
		(Attaching Parts)									
-125		Nut, Plain, Cap							0N008506	28	
-126		Nut							MS33649-44	13	
-127		Washer							MS33338-135	26	
-128		Washer							MS33335-57	15	
-129		Nut							MS33649-44	13	
-130		Washer							MS33338-135	15	
-131	E47-E61	Terminal							MS7068-1	15	

KAM-145B/TSEC

GROUP ASSEMBLY PARTS LIST

Fig. & Index No.	Reference Designation	Description							Part No.	Units Per Assy.	Usable on Code
		1	2	3	4	5	6	7			
1-132	XA1-XA14	Connector, Receptacle, Electrical							0N008463	14	
		(Attaching Parts)									
		Screw							MS31957-31	28	
		Washer							MS15795-805	28	
		Nut							0N008464-2	28	
-132A		Plate, Connector, Left Bay							0N008702	1	B
-132B		Plate, Connector, Right Bay							0N008701	1	B
		(Attaching Parts)									
		Screw							MS31957-27	14	B
		Washer							MS15795-805	14	B
		Nut							0N008464-2	14	B
-132C		Guide, Card							0N008704	28	B
		Chassis, Electrical Equipment							0N008112	1	A
		Chassis, Electrical Equipment							0N008705-1	1	P
		Chassis, Electrical Equipment							0N008705-2	1	Q
		Handle, Ball							0N006415	2	
		(Attaching Parts)									
		Screw							MS31957-45	8	
		Washer							MS15795-807	8	
		Washer							MS33338-137	8	
		Nut, Self-Locking							MS33649-84	8	
-134		Terminal Stud							SE209D01	2	
-136	E62, E63	(Attaching Parts)									
		Screw							MS31957-13	2	
		Washer							MS33338-135	2	
-138		Bushing, Support							0N007926	2	
-139		Bar, Roll							0N008035	1	
		(Attaching Parts)									
		Screw							MS31958-64	2	
		Washer							MS33338-138	2	
		Washer							MS15795-808	2	
-140		Bar, Roll							0N008035	1	
		(Attaching Parts)									
		Screw							MS31958-63	2	
		Washer							MS33338-138	2	
		Washer							MS15795-808	2	
-141		Channel, Plastic							0N040921	AR	
-142		Terminal Bracket							0N008615	1	
		(Attaching Parts)									
		Screw							MS31957-30	2	
		Washer							MS15795-805	2	

CONFIDENTIAL

~~CONFIDENTIAL~~

KAM-145B/TSEC

GROUP ASSEMBLY PARTS LIST

Fig. & Index No.	Reference Designation	Description							Part No.	Units Per Assy.	Usable on Code
		1	2	3	4	5	6	7			

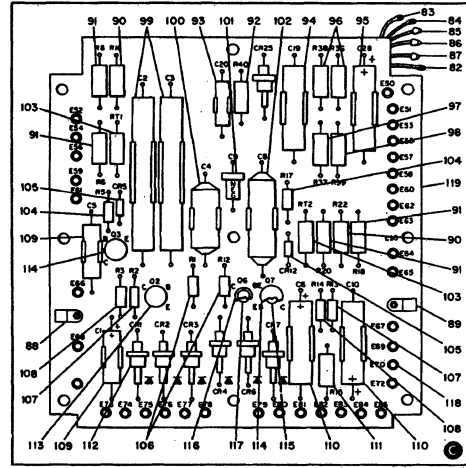
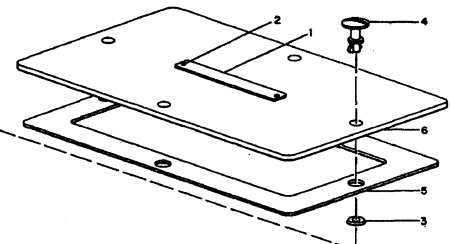
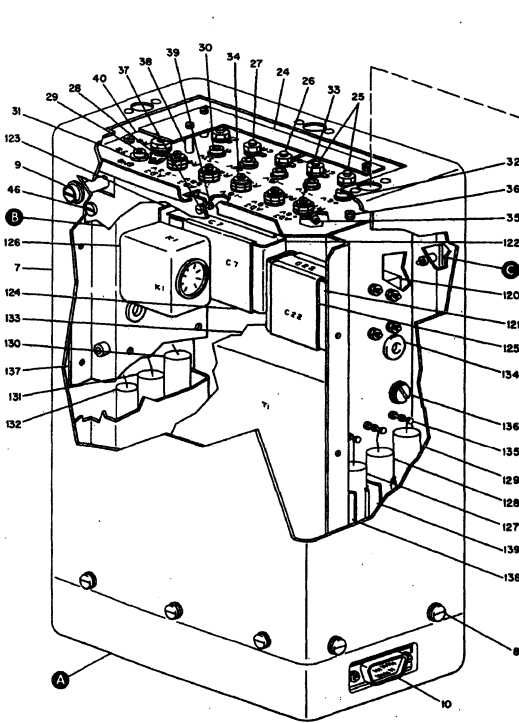
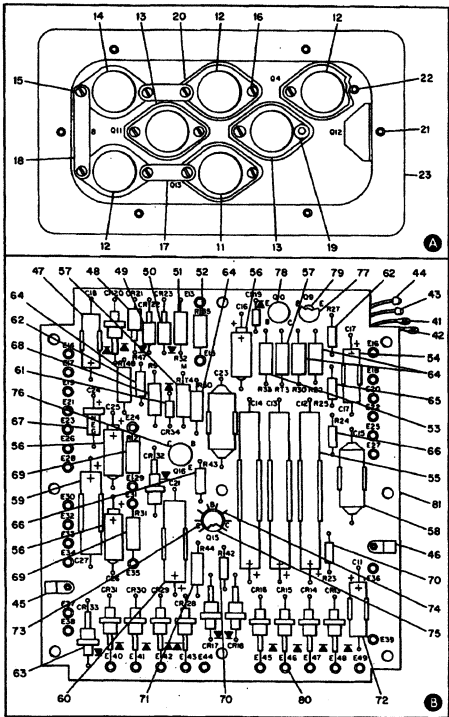
GROUP ASSEMBLY PARTS LIST

Fig. & Index No.	Reference Designation	Description							Part No.	Units Per Assy.	Usable on Code
		1	2	3	4	5	6	7			

~~CONFIDENTIAL~~

CONFIDENTIAL

KAM-145B/TSEC



CONFIDENTIAL

Figure 2.—KW-7 Power Supply (E-AJX) 0N007785-1

CONFIDENTIAL

KAM-145B/TSEC

GROUP ASSEMBLY PARTS LIST

Fig. & Index No.	Reference Designation	Description	Part No.	Units Per Assy.	Usable on Code									
						1	2	3	4	5	6	7		
-2	1A16	Power Supply-TSEC/KW-7, E-AJX (See fig. 1-39 for NHA)	0N007785-1	REF	G									
-1		Cover, Top-Power Supply	0N006602	1										
-2		Plate, Identification (Attaching Parts)	0N008006-15	1										
-2		Screw	MS21318-7	2										
-3		Ring, Retaining	0N008334	4										
-4		Fastener, Oval Head	0N008333	4										
-5		Shielding Gasket, Electronic	0N008598	1										
-6		Cover, Top	0N008599	1										
-7		Enclosure, Power Supply (Attaching Parts)	0N007862	1										
-8		Screw	MSS1957-44	10										
-8	Washer	MS15795-807	10											
-9	Screw, Special	0N008029	2											
-10	P1	Connector, Plug, Electrical (Attaching Parts)	0N008353-1	1										
		Screw	MSS1957-13	2										
		Washer	MS15795-803	2										
-11	Q13 Q4,Q5,Q8 Q11,Q12 Q1	Transistor	0N008300-1	1										
-12		Transistor	0N008300-3	3										
-13		Transistor	0N008300-5	2										
-14		Transistor	0N008300-4	1										
-15		Screw	MSS1957-17	6										
-15		Washer	MS15795-805	6										
-16		Screw	MSS1957-16	8										
-16		Washer	MS15795-804	16										
-17		Bus Bar	0N008185-2	2										
-18		Bus Bar	0N008185-1	1										
-19		Insulator, Bushing	0N007868	6										
-20		Insulator, Plate	0N007870	7										
-21		Base, Power Supply	0N007790	1										
-22		Insert	MS21209C0815	20										
-22		Insert	MS21209C0415	18										
-23		Base	0N007790-1	1										
-24		Insulator, Plate (Attaching Parts)	0N008204	1										
-24		Screw	MSS1957-50	3										
-24	Washer	MS15795-802	3											
-25	CR26,CR27	Semiconductor Device, Diode	1N3001B	2										
-26	CR35	Semiconductor Device, Diode	1N1202	1										

GROUP ASSEMBLY PARTS LIST

Fig. & Index No.	Reference Designation	Description	Part No.	Units Per Assy.	Usable on Code							
						1	2	3	4	5	6	7
2-27	CR8-CR11	Semiconductor Device, Diode (Attaching Parts)	0N008557	4								
		Nut	MS35650-104	7								
		Washer	MS35335-60	7								
		Washer	MS15795-808	7								
		Insulator, Washer	0N008475	14								
		Terminal, Lug	MS35431-8	7								
		Jack	MS16106-7A	4								
		Jack	MS16106-3A	1								
		Jack	MS16106-2A	1								
		Resistor, Variable: 50 Ohms, 5pct, 1-1/2w	0N008354-1	4								
	Resistor, Variable: 35 Ohms, 5pct, 1-1/2w	0N008354-2	1									
	Terminal	MS25036-50	5									
	Panel, Adjustment Control-Power Supply (Attaching Parts)	0N007880	1									
	W1	Screw	MSS1957-44	4								
		Washer	MS15795-807	4								
		Screw	MSS1957-44	2								
		Washer	MS15795-805	2								
		Washer	MS35333-71	2								
		Rivet, Stand-Off	0N008394-2	3								
		Nut, Caprive	0N008330-1	2								
		Panel	0N007789	1								
		Wiring Harness, Branched	0N008252	1								
		Terminal	MS25036-49	3								
		Terminal	MS25036-50	3								
		Ferrule	MS25311-110	3								
		Ferrule	MS25311-90	1								
		Clamp	MS25181-5	1								
	Clamp	MS25281-3	1									
		Screw	MSS1957-27	2								
		Washer	MS15795-805	2								
		Washer	MS35338-136	2								
		Nut	MS35649-64	2								
		Power Supply-Subassembly No. 1 (Attaching Parts)	0N008543	1								
		Screw	MSS1957-29	7								
		Washer	MS15795-805	7								
		Washer	MS35333-71	7								
	C18 CR21	Capacitor, Fixed, Electrolytic: 40u.f., -15, +75 pct. 25V	CL25BG400UP3	1								
		Semiconductor Device, Diode	1N3016B	1								

CONFIDENTIAL

GROUP ASSEMBLY PARTS LIST

Fig. & Index No.	Reference Designation	Description	Part No.	Units Per Assy.	Usable on Code
2-49	CR22	Semiconductor Device, Diode	1N3022B	1	1
-50	CR23	Semiconductor Device, Diode	1N3019B	1	1
-51	R32	Resistor, Fixed, Wire-Wound: 80 Ohms, 1pct, 2.5w	0N008357-5	1	1
-52	R35	Resistor, Fixed, Wire-Wound: 47 Ohms, 5pct, 3w	RW69V470	1	1
-53	R33	Resistor, Fixed, Wire-Wound: 600 Ohms, 1pct, 2.5w	0N008357-3	1	1
-54	C17	Capacitor, Fixed, Electrolytic: 150uf, -15, +75pct, 50V	CL25BJ180UP3	1	1
-55	C12-C14	Capacitor, Fixed, Electrolytic: 150uf, -15, +75pct, 50V	CL25BJ151UP3	3	3
-56	C18,C25,C26	Capacitor, Fixed, Electrolytic: 22uf, 10pct, 50V	CS13AG220M	3	3
-57	RT3,RT4	Resistor, Thermal: 470 Ohms, 10pct, 25w	0N008358	2	2
-58	C15,C23	Capacitor, Fixed, Paper: 0.1uf, 10pct, 100V	CP08A1K1B104K3	2	2
-59	C27	Capacitor, Fixed, Electrolytic: 25uf, -15, +75pct, 100V	CL25BN250UP3	1	1
-60	C21	Capacitor, Fixed, Electrolytic: 200uf, -15, +75pct, 15V	CL25B E201UP3	1	1
-61	CR19,CR34	Semiconductor Device, Diode	1N749A	2	2
-62	R27,R47	Resistor, Fixed, Composition: 180 Ohms, 5pct, 1/2w	RC20GF181J	2	2
-63	CR13-CR18, CR20,CR28-CR33	Semiconductor Device, Diode	1N538	13	13
-64	R28,R30, R48,R50	Resistor, Fixed, Wire-Wound: 100 Ohms, 1pct, 2.5w	0N008357-1	4	4
-65	R25	Resistor, Fixed, Composition: 4700 Ohms, 5pct, 1/2w	RC20GF472J	1	1
-66	R24,R43	Resistor, Fixed, Composition: 10K, 5pct, 1/2w	RC20GF103J	2	2
-67	C24	Capacitor, Fixed, Electrolytic: 50uf, -15, +50pct, 6V	CL44BB300TP3	1	1
-68	R9	Resistor, Fixed, Wire-Wound: 50 Ohms, 1pct, 2.5w	0N008357-4	1	1
-69	R21,R31	Resistor, Fixed, Wire-Wound: 800 Ohms, 1pct, 2.5w	0N008357-2	2	2
-70	R23,R42	Resistor, Fixed, Composition: 1500 Ohms, 5pct, 1/2w	RC20GF152J	2	2
-71	R44	Resistor, Fixed, Composition: 1800 Ohms, 5pct, 1/2w	RC20GF182J	1	1
-72	C11	Capacitor, Fixed, Electrolytic: 60uf, -15, +75pct, 15V	CL25BE900UP3	1	1
-73		Heat Sink	0N008220	1	1
-74	Q15	Transistor	0N008480-1	1	1
-75		Insulator, Disk	0N008328	1	1
-76	Q16	Transistor	0N008300-6	1	1
-77	Q9	Transistor	2N328A	1	1
-78	Q10	Transistor	2N333	1	1
-79		Insulator, Disk	0N008404	3	3
-80	E13-E49	Terminal	SE12XC06	37	37
-81	W2	Printed Wiring Board-No. 1, Power Supply	0N007968	NP	NP
		Wiring Harness, Branched Supply	0N008253	1	1
-82		Terminal	MS25036-1	1	1
-83		Terminal	MS25036-49	5	5
-84		Terminal	MS25036-50	4	4
-85		Ferrule	MS35311-90	4	4
-86		Ferrule	MS25311-120	2	2
-87		Ferrule	MS25311-150	1	1
-88		Clamp	MS25281-3	1	1
-89		Clamp	MS25281-4	1	1

GROUP ASSEMBLY PARTS LIST

Fig. & Index No.	Reference Designation	Description	Part No.	Units Per Assy.	Usable on Code
2-89		(Attaching Parts)			
		Screw	MS51957-27	2	2
		Washer	MS15795-805	2	2
		Washer	MS35338-136	2	2
		Nut	MS35649-64	2	2
		Power Supply Subassembly No. 2	0N008544	1	1
		(Attaching Parts)			
		Screw	MS51957-29	7	7
		Washer	MS15795-805	7	7
		Washer	MS35333-71	7	7
	-90	R10,R22	Resistor, Fixed, Wire-Wound: 50 Ohms, 1pct, 2.5w	0N008357-4	2
-91	R6,R8,R18,R20	Resistor, Fixed, Wire-Wound: 100 Ohms, 1pct, 2.5w	0N008357-1	4	4
-92	R40	Resistor, Fixed, Wire-Wound: 100 Ohms, 5pct	RW9V100	1	1
-93	C20	Capacitor, Fixed, Electrolytic: 068 ±10%, 200 V	0N008558	1	1
-94	C19	Capacitor, Fixed, Electrolytic: 15uf, -15, +50pct, 50V	CL25BJ150TN3	1	1
-95	C28	Capacitor, Fixed, Electrolytic: 60uf, -15, +75pct, 50V	CL25BJ600UP3	1	1
-96	R36,R38	Resistor, Fixed, Wire-Wound: 3 Ohms, 5pct, 3w	RW69V3R0	2	2
-97	R37	Resistor, Fixed, Wire-Wound: 0.5 Ohms, 10pct, 3w	RW69V750	1	1
-98	R39	Resistor, Fixed, Wire-Wound: 1800 Ohms, 5pct, 1w	RC32GF182J	1	1
-99	C2, C3	Capacitor, Fixed, Electrolytic: 500uf, -15, +75pct, 15V	CL25BE581UP3	2	2
-100	C4	Capacitor, Fixed, Paper: 0.1uf, 10pct, 100V	CP09A1K1B104K3	1	1
-101	C9	Capacitor, Fixed, Electrolytic: 30uf, -15, +50pct, 6V	CL44BB300TP3	1	1
-102	C8	Capacitor, Fixed, Paper: 0.22uf, 10pct, 100V	CP09A1K1B224K3	1	1
-103	RT1,RT2	Resistor, Thermal: 470 Ohms, 10pct, 25w	0N008358	2	2
-104	R5,R17	Resistor, Fixed, Composition: 180 Ohms, 5pct, 1/2w	RC20GF181J	2	2
-105	CR5,CR12	Semiconductor Device, Diode	1N749A	2	2
-106	R1,R12	Resistor, Fixed, Composition: 500 Ohms, 5pct, 1/2w	RC20GF152J	2	2
-107	R2,R13	Resistor, Fixed, Composition: 10K, 5pct, 1/2w	RC20GF103J	2	2
-108	R3,R14	Resistor, Fixed, Composition: 4700 Ohms, 5pct, 1/2w	RC20GF472J	2	2
-109	C1,C5	Capacitor, Fixed, Electrolytic: 60uf, -15, +75pct, 15V	CL25BE600UP3	2	2
-110	C6,C10	Capacitor, Fixed, Electrolytic: 200uf, -15, +75pct, 15V	CL25BE201UP3	2	2
-111	R15	Resistor, Fixed, Composition: 680 Ohms, 5pct, 1w	RC32GF681J	1	1
-112	CR1,CR2,CR3, CR4,CR6,CR7, CR25	Semiconductor Device, Diode	1N538	7	7
-113	Q2	Transistor	2N328A	1	1
-114	Q3,Q7	Transistor	2N333	2	2
-115	Q6	Insulator, Disk	0N008404	3	3
-116	E50	Terminal	0N008480-2	1	1
-117		Insulator, Disk	0N008228	1	1
-118	E50-E85	Terminal	SE12XC06	36	36
-119		Printed Wiring Board No. 2, Power Supply	NO NUMBER	NP	NP
-120	T2	Transformer	0N008359	1	1

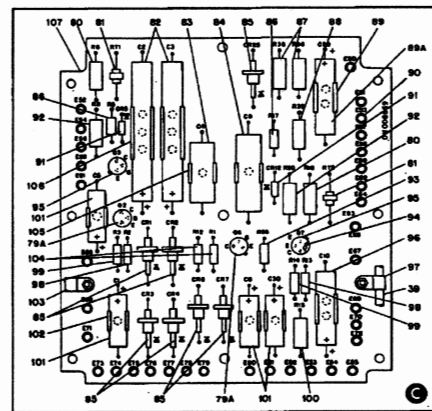
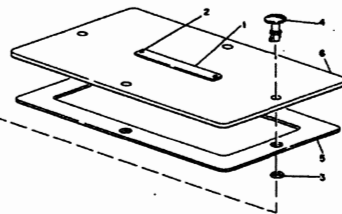
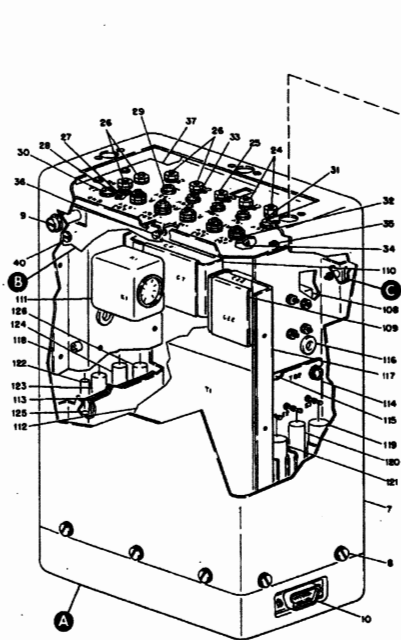
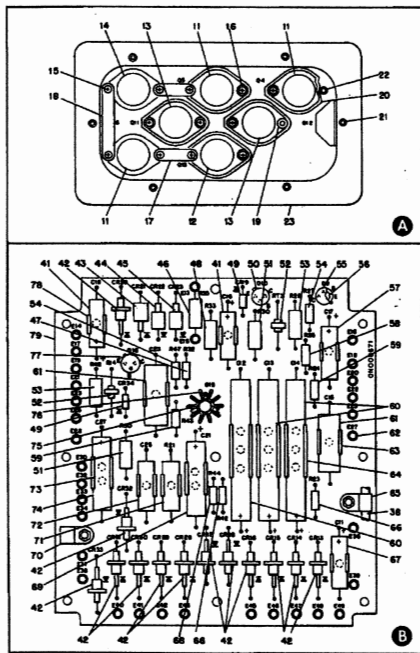


Figure 2A.—KW-7 Power Supply (E-AJX) 0N007785-2

~~CONFIDENTIAL~~

KAM-145B/TSEC

GROUP ASSEMBLY PARTS LIST

Fig. & Index No.	Reference Designation	Description	Part No.	Units Per Assy.	Umbles on Code
2A-	IA16	Power Supply—TSEC/KW-7 E-AJX (See fig. 1-39 for NHA)		REF	H
-1		Cover, Top-Power Supply	0N00785-2	1	
-2		Plate, Identification (Attaching Parts)	0N00802 0N00806-15	1	
-3		Screw	MS21318-7	2	
-4		Ring, Retaining	0N00834	4	
-5		Fastener, Oval Head	0N00833	4	
-6		Shielding Gasket, Electronic	0N00858	1	
-7		Cover, Top Enclosure, Power Supply (Attaching Parts)	0N00859 0N007862	1	
-8		Screw	MS51957-43	10	
-9		Washer	MS15795-807	10	
-10	P1	Screw, Special	0N008029	2	
		Connector, Plug, Electrical (Attaching Parts)	0N00833-1	1	
		Screw	MS51957-13	2	
		Washer	MS15795-803	2	
-11	Q4, Q5, Q8	Transistor (Attaching Parts)	0N008300-3	3	
		Screw	MS51957-19	6	
		Washer	MS15795-804	12	
		Washer	MS35337-135	6	
		Nut	MS35649-44	6	
-12	Q13	Transistor	0N008300-1	1	
-13	Q11, Q12	Transistor	0N008300-5	2	
-14	Q1	Transistor (Attaching Parts)	0N008300-4	1	
-15		Screw	MS51957-32	8	
-16		Washer	MS15795-805	16	
		Washer	MS35338-136	8	
		Nut	MS35649-54	8	
-17		Bus Bar	0N008185-2	2	
-18		Bus Bar	0N008185-1	1	
-19		Insulator, Bushing	0N007865	6	
-20		Insulator, Plate	0N007870	3	
-21		Base, Power Supply	0N008790	1	
-22		Insert	MS21209C0815	20	
-22		Insert	MS21209C0415	18	
-23		Base	0N008790-1	NP	

GROUP ASSEMBLY PARTS LIST

Fig. & Index No.	Reference Designation	Description	Part No.	Units Per Assy.	Umbles on Code
2A-24	CR26, CR27	Semiconductor Device, Diode	1N3001B	2	
-25	CR35	Semiconductor Device, Diode	1N1502	1	
-26	CR8-CR11	Semiconductor Device, Diode (Attaching Parts)	0N008557	4	
		Nut	MS35650-104	7	
		Washer	MS15795-808	7	
		Washer	MS35335-60	7	
		Insulator, Cover Nut	0N008682	7	
-27		Insulator, Plate	0N008696	14	
-28		Terminal, Lug	MS35431-8	8	
		Ring, Insulator	0N008699	7	
	J1, J4-J6	Jack	MS15108-7A	4	
-30	J2	Jack	MS15108-3A	1	
-31	J3	Jack	MS15108-2A	1	
-32	R7, R19, R29, R49	Resistor, Variable: 50 Ohms, 5pct. 1-1/2w	0N008354-1	4	
-33	R34	Resistor, Variable: 35 Ohms, 5pct. 1-1/2w	0N008354-2	1	
-34	E26-E30	Terminal	MS25036-50	5	
		Panel, Adjustment Control Power Supply (Attaching Parts)	0N008791	1	
-35		Screw	MS51957-44	4	
		Washer	MS15795-807	8	
		Washer	MS35338-138	4	
		Nut	MS35649-64	4	
-36		Screw	MS51957-27	2	
		Washer	MS15795-805	2	
		Washer	MS35338-136	2	
-37		Panel	0N008791-1	1	
-38	W1	Wiring Harness, Branched	0N008252	1	
-39	W2	Wiring Harness, Branched	0N008253	1	
		Power Supply Subassembly No. 1	0N008671	1	
		Plate, Insulation (Attaching Parts)	0N008546	1	
-40		Screw	MS51957-29	7	
		Washer	MS15795-805	7	
		Washer	MS35338-136	7	
-41	C16, C18	Capacitor, Fixed, Electrolytic: 40 uf. -15, +75pct, 25V	0N008674-7	2	
-42	CR13-CR18, CR20, CR28-CR33	Semiconductor Device, Diode	1N538	13	
-43	CR21	Semiconductor Device, Diode	JAN1N3016B	1	
-44	CR22	Semiconductor Device, Diode	JAN1N3022B	1	
-45	CR23	Semiconductor Device, Diode	JAN1N3019B	1	
-46	R35	Resistor, Fixed, Wire-Wound: 47 Ohms, 5pct, 3w	RW69V470	1	

~~CONFIDENTIAL~~

~~CONFIDENTIAL~~

GROUP ASSEMBLY PARTS LIST

Fig. & Index No.	Reference Designation	Description	Part No.	Units Per Assy.	Usable on Code	
						1
2A-47	R32	Resistor, Fixed, Composition: 222 Ohms, 5pct, 1/2w	RC20GF222J	1		
-48	R33	Resistor, Fixed, Wire-Wound: 600 Ohms, 1pct, 2.5w	0N00837-3	1		
-49	CR19, CR34	Semiconductor Device, Diode	JAN1N749A	2		
-50	Q10	Transistor	JAN2N333	1		
-51	R30, R50	Resistor, Fixed, Wire-Wound: 150 Ohms, 5pct, 3w	RW69V151	2		
-52	RT3, RT4	Resistor, Thermal: 2K, 25°C	0N008676	2		
-53	R28, R48	Resistor, Fixed, Wire-Wound: 130 Ohms, 5pct, 3w	RW69V131	2		
-54	R27, R47	Resistor, Fixed, Composition: 180 Ohms, 5pct, 1/2w	RC20GF181J	2		
-55	Q9	Transistor	JAN2N328A	1		
-56		Insulator, Disk	0N008663	4		
-57	C17	Capacitor, Fixed, Electrolytic: 15µf, -15, +50pct, 50V	0N008674-6	1		
-58	R25	Resistor, Fixed, Composition: 4700 Ohms, 5pct, 1/2w	RC20GF472J	1		
-59	R24, R43	Resistor, Fixed, Composition: 10K, 5pct, 1/2w	RC20GF103J	2		
-60	C12-C14	Capacitor, Fixed, Electrolytic: 150µf, -15, +75pct, 50V	0N008674-5	3		
-61	C15, C23	Capacitor, Fixed, Paper: 0.1µf, 10pct, 100V	CP09A1KB104K3	2		
-62	E13-E23, E25-E28, E30, E32-E34, E36-E43, E45-E49	Terminal, Stud	MS17122-11	32		
-63		Clip, Spring Tension	MS17160-9	2		
-64		Clip, Spring Tension	MS17160-38	3		
-65		Clamp, Cable	MS25281-3	2		
		(Attaching Parts)				
		Screw	MS51957-31	1		
		Washer	MS15795-805	1		
		Washer	MS35338-136	1		
		Nut	MS35649-64	1		
-66	R23, R42	Resistor, Fixed, Composition: 1500 Ohms, 5pct, 1/2w	RC20GF152J	2		
-67	C11	Capacitor, Fixed, Electrolytic: 60µf, -15, +75pct, 15V	0N008674-1	1		
-68	R44	Resistor, Fixed, Composition: 1800 Ohms, 5pct, 1/2w	RC20GF182J	1		
-69	C21	Capacitor, Fixed, Electrolytic: 200µf, -15, +75pct, 15V	0N008674-3	1		
-70		Clamp, Cable	MS25281-5	1		
		(Attaching Parts)				
		Screw	MS51957-31	1		
		Washer	MS15795-805	1		
		Washer	MS35338-136	1		
		Nut	MS35649-64	1		
-71	R21	Resistor, Fixed, Wire-Wound: 1600 Ohms, 1pct, 5w	0N008357-6	1		
-72	C25	Capacitor, Fixed, Electrolytic: 5µf	0N008674-13	1		
-73		Clip, Spring Tension	MS17160-22	2		
-74	C27	Capacitor, Fixed, Electrolytic: 25µf	0N008674-10	1		
-75	Q15	Transistor	0N008480-3	1		
-76		Heat Sink	0N008220-1	1		

GROUP ASSEMBLY PARTS LIST

Fig. & Index No.	Reference Designation	Description	Part No.	Units Per Assy.	Usable on Code	
						1
2A-77	Q16	Transistor	0N008300-6	1		
-78		Clip, Spring Tension	MS17160-7	6		
-79		Printed Wiring Board No. 1	0N008672	1	NP	
		Power Supply Subassembly No. 2	0N008669	1		
		Plate Inclusion	0N008546	1		
		(Attaching Parts)				
		Screw	MS51957-29	7		
		Washer	MS15795-805	7		
		Washer	MS35338-136	7		
-79A	Q2, Q6	Transistor	JAN2N328A	2		
-80	R6, R18	Resistor, Fixed, Wire-Wound: 130 Ohms, 5pct, 3w	RW69V131	2		
-81	RT1, RT2	Resistor, Thermal: 2K, 25°C	0N008676	2		
-82	C2, C3	Capacitor, Fixed, Electrolytic: 500µf, -15, +75pct, 15V	0N008674-2	2		
-83	C4	Capacitor, Fixed, Paper: 0.1µf, 10pct, 100V	CP09A1KB104K3	1		
-84	C8	Capacitor, Fixed, Paper: 0.22µf, 10 pct, 100V	CP09A1KB224K3	1		
-85	CR1-CR4, CR6, CR7, CR25	Semiconductor Device, Diode	1N538	7		
-86	R5, R17	Resistor, Fixed, Composition: 180 Ohms, 5pct, 1/2w	RC20GF181J	2		
-87	R36, R38	Resistor, Fixed, Wire-Wound: 3 Ohms, 5pct, 3w	RW69V3R0	2		
-88	R39	Resistor, Fixed, Composition: 1800 Ohms, 5pct, 1w	RC20GF182J	1		
-89		Clip, Spring Tension	MS17160-22	2		
-89A	C28	Capacitor, Fixed, Electrolytic: 60µf, -15, +75pct, 50V	0N008674-11	1		
-90	E50-E62, E64-E85	Terminal, Stud	SE12XC08	34		
-91	CR5, CR12	Semiconductor Device, Diode	JAN1N749B	2		
-92	R8, R20	Resistor, Fixed, Wire-Wound: 150 Ohms, 5pct, 3w	RW69V151	2		
-93	R55	Resistor, Fixed, Composition: 150 Ohms, 5pct, 1/2w	RC20GF151J	1		
-94		Insulator, Disk	0N008663	4		
-95	Q3, Q7	Transistor	2N333	2		
-96	C10	Capacitor, Fixed, Electrolytic: 200µf, -15, +75pct, 15V	0N008674-3	1		
-97		Clamp, Cable	MS25281-4	1		
		(Attaching Parts)				
		Screw	MS51957-31	1		
		Washer	MS15795-805	1		
		Washer	MS35338-136	1		
		Nut	MS35649-64	1		
-98	R2, R13	Resistor, Fixed, Composition: 10K, 5pct, 1/2w	RC20GF103J	2		
-99	R3, R14	Resistor, Fixed, Composition: 4700 Ohms, 5pct, 1/2w	RC20GF472J	2		
-100	R15	Resistor, Fixed, Composition: 68 Ohms, 5pct, 3w	RC20GF681J	1		
-101	C1, C5, C6, C30	Capacitor, Fixed, Electrolytic: 60µf, -15, +75pct, 15V	0N008674-1	4		
-102		Clip, Spring Tension	MS17160-7	4		
-103		Clamp, Cable	MS25281-3	1		
		(Attaching Parts)				
		Screw	MS51957-31	1		

~~CONFIDENTIAL~~

~~CONFIDENTIAL~~

KAM-145B/TSEC

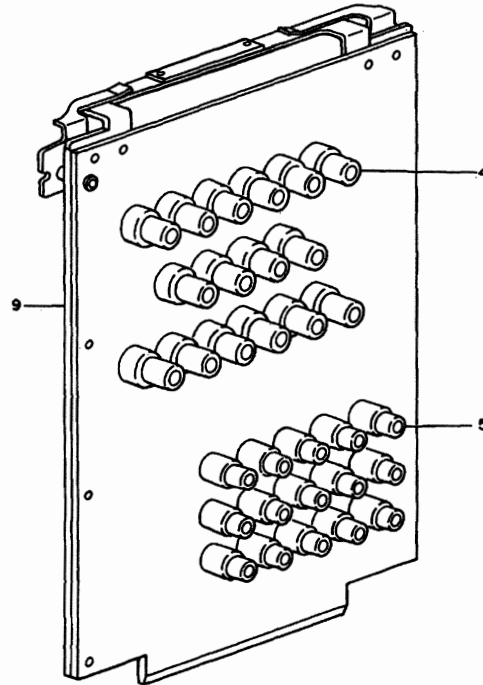
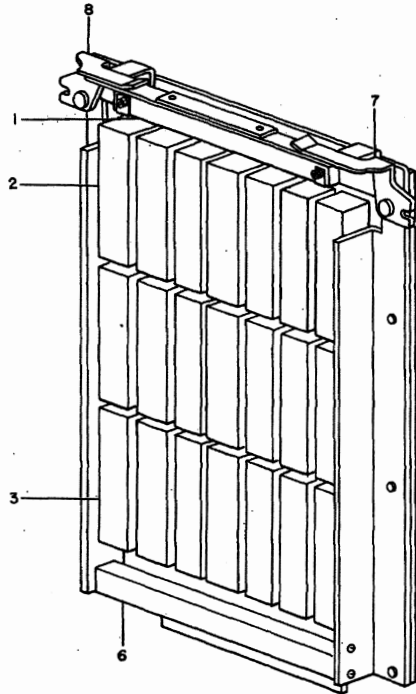


Figure 3.—Shift Register No. 1 (E-AJK)

~~CONFIDENTIAL~~

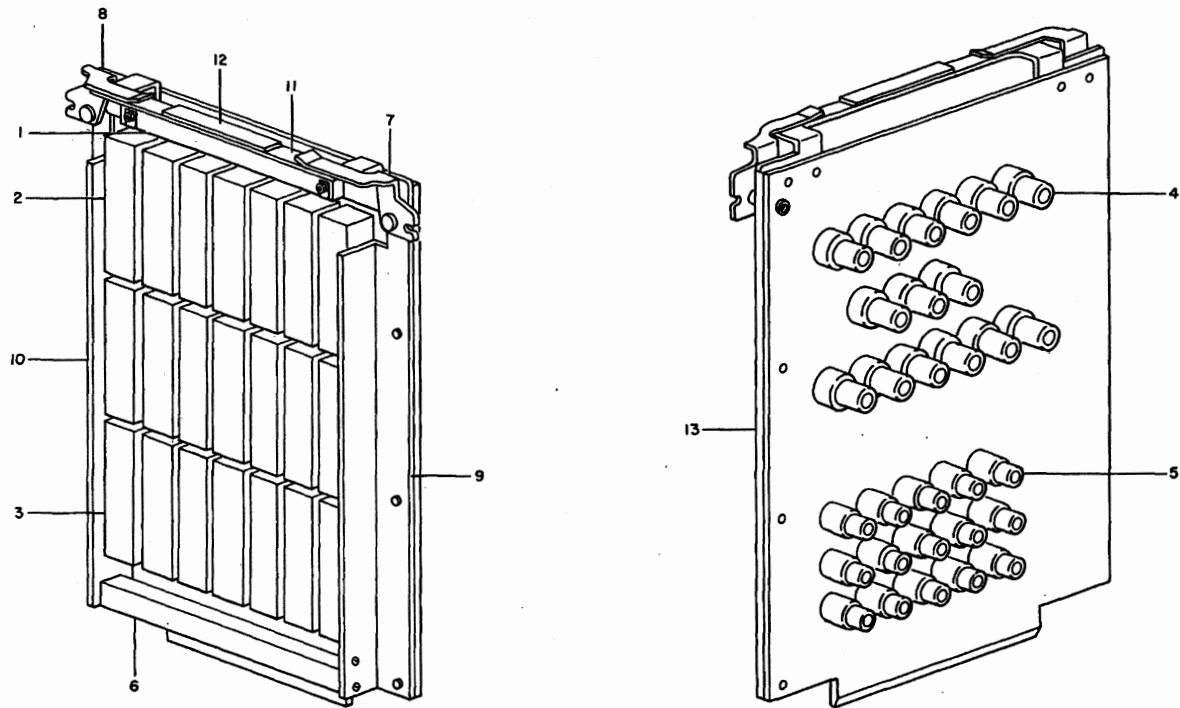


Figure 4.—Shift Register No. 2 (E-AJJ)

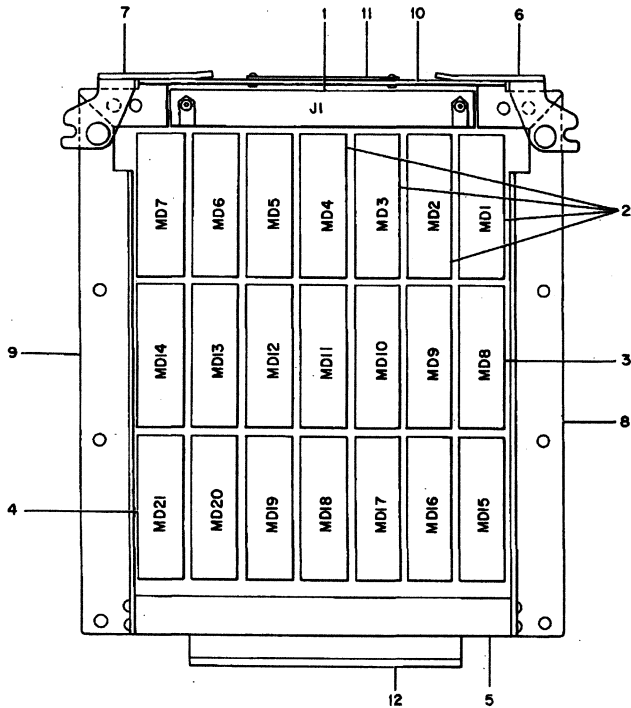


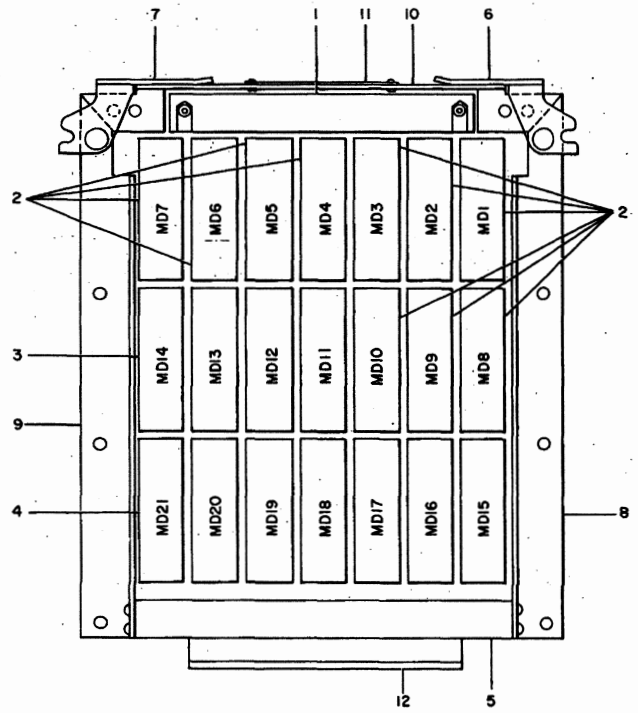
Figure 5.—Key Generator No. 1 (E-AJM)

GROUP ASSEMBLY PARTS LIST

Fig. & Index No.	Reference Designation	Description	Part No.	Units Per Assy.	Usable on Code	
						1
5-	1A3	Printed Wiring Assembly-Key Generator No. 1, E-AJM (See fig. 1-82 for NHA)	0N007904		REF	
-1	J1	Test Lead Attachment (Attaching Parts)	0N008397		1	
		Eyelet, Rolled	0N008407-5		2	
-2	MD1-MD7	Module, Low Speed F/F	0N007841		7	
-3	MD8-MD20	Module, 2-2 Input Gate	0N007836		13	
-4	MD21	Module, 2-3 Input Gate	0N007837		1	
-5		Frame Section-A3, Polarizer (Attaching Parts)	0N008194		1	
		Screw	MS21318-15		4	
-6		Lever, Kjector, LH	0N007859-2		1	
-7		Lever, Kjector, RH (Attaching Parts)	0N007859-1		1	
		Rivet, Semi-Tubular	0N007831		2	
		Washer, Bearing	MS15795-802		2	
		Spacer	0N007849		2	
-8		Frame Section	0N007876-2		1	
-9		Frame Section	0N007876-1		1	
-10		Frame Section	0N007877		1	
-11		Plate, Identification (Attaching Parts)	0N008006-4		1	
		Rivet, Solid	MS20470A2-3		2	
-12		Printed Wiring Board	0N008059		NP	

~~CONFIDENTIAL~~

KAM-145B/TSEC



GROUP ASSEMBLY PARTS LIST

Fig. & Index No.	Reference Designation	Description	Part No.	Units Per Assy.	Usable on Code
6-	1A4	Printed Wiring Assembly-Key Generator No. 2, E-AJL (See Fig. 1-63 for NHA)			REF
-1	J1	Test Lead Attachment (Attaching Parts)	ON007903 ON006397	1	
		Eyelet, Rolled	ON008407-5	2	
-2	MD1-MD10	Module, Low Speed F/F	ON007841	10	
-3	MD11-MD20	Module, 2-2 Input Gate	ON007836	10	
-4	MD21	Module, Lamp Driver	ON007838	1	
-5		Frame Section-A4, Polarizer (Attaching Parts)	ON006201	1	
		Screw	MS21318-16	4	
-6		Lever, Ejector, LH	ON007859-2	1	
-7		Lever, Ejector, RH (Attaching Parts)	ON007859-1	1	
		Rivet, Semi-Tubular	ON007831		
		Washer, Bearing	MS15795-802	2	
		Spacer	ON007849	2	
-8		Frame Section	ON007876-2	1	
-9		Frame Section	ON007876-1	1	
-10		Frame Section	ON007877	1	
-11		Plate Identification (Attaching Parts)	ON006006-3	1	
		Rivet, Solid	MS304702A-3	2	
-12		Printed Wiring Board	ON007992		NP

~~CONFIDENTIAL~~

Figure 6.—Key Generator No. 2 (E-AJL)

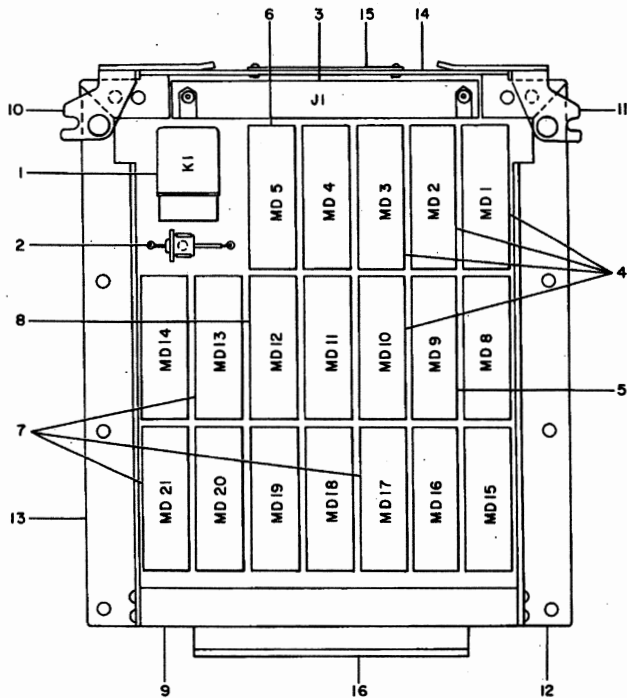


Figure 7.—Alarm (E-AJO)

GROUP ASSEMBLY PARTS LIST

Fig. & Index No.	Reference Designation	Description	Part No.	Units Per Assy.	Usable on Code
7-	1A5	Printed Wiring Assembly-Alarm E-AJO (See fig. 1-64 for NHA)	0N007906	1	REF
-1	K1	Relay, Armature	0N008350	1	
-2	CR1	Semiconductor Device, Diode (Attaching Parts)	JAN1N538	1	
		Clip, Spring	MS17160-5	1	
		Eyelet, Metallic	0N008407-1	1	
-3	J1	Test Lead Attachment (Attaching Parts)	0N008397	1	
		Eyelet, Rolled	0N008407-5	2	
-4	MD1,MD2, MD3,MD10	Module, Low Speed F/F	0N007841	4	
-5	MD9	Module, Lamp Driver	0N007838	1	
-6	MD4,MD5, MD8,MD11, MD14,MD15, MD16,MD18, MD19,MD20	Module, 2-2 Input Gate	0N007836	10	
-7	MD13,MD17, MD21	Module, 2-3 Input Gate	0N007837	3	
-8	MD12	Module, F/F Gate	0N007842	1	
-9		Frame Section-AS, Polarize (Attaching Parts)	0N008193	1	
		Screw	MS21318-15	4	
-10		Lever, Ejector, LH	0N007859-2	1	
-11		Lever, Ejector, RH (Attaching Parts)	0N007859-1	1	
		Rivet, Semi-Tubular	0N007831	2	
		Washer, Bearing	MS15796-802	2	
		Spacer, Lever	0N007849	2	
-12		Frame Section	0N007876-2	1	
-13		Frame Section	0N007876-1	1	
-14		Frame Section	0N007877	1	
-15		Plate Identification (Attaching Parts)	0N008006-6	1	
		Rivet, Solid	MS20470A2-3	2	
-16		Printed Wiring Board	0N008061	NP	

~~CONFIDENTIAL~~

KAM-145B/TSEC

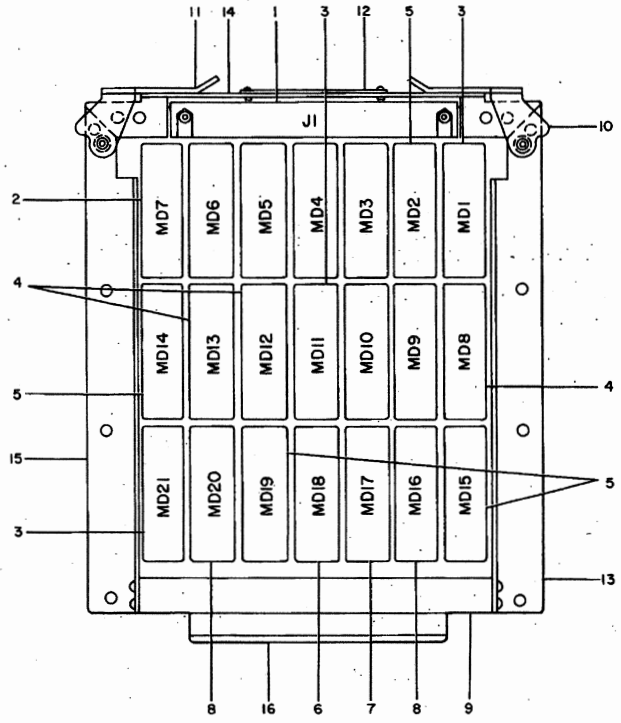


Figure 8.—Master Control (E-AJN)

GROUP ASSEMBLY PARTS LIST

Fig. & Index No.	Reference Designation	Description	Part No.	Units Per Assy.	Usable on Code	
						1
8-	1A6	Printed Wiring Assembly-Master Control E-AJN (See fig. 1-65 for NHA)	0N007805		REF	
-1	J1	Test Lead Attachment (Attaching Parts)	0N006397		1	
		Eyelet, Rolled	0N008407-5		2	
-2	MD3-MD7, MD9, MD10	Module, Low Speed F/F	0N007841		7	
-3	MD1, MD11, MD21	Module, F/F Gate	0N007842		3	
-4	MD8, MD12, MD13	Module, Lamp Driver	0N007838		3	
-5	MD2, MD14, MD15, MD19	Module, OS/ST	0N007843		4	
-6	MD18	Module, Set Driver	0N007844		1	
-7	MD17	Module, Time Delay	0N007850		1	
-8	MD16, MD20	Module, 2-2 Input Gate	0N007836		2	
-9		Frame Section-A6, Polarizer (Attaching Parts)	0N008200		1	
		Screw	MS21318-15		4	
-10		Lever, Ejector, LH	0N007859-2		1	
-11		Lever, Ejector, RH (Attaching Parts)	0N007859-1		1	
		Rivet	0N007851		2	
		Washer, Bearing	MS15795-802		2	
		Spacer	0N007849		2	
-12		Plate, Identification (Attaching Parts)	0N008006-5		1	
		Rivet	MS20470A2-3		2	
-13		Frame Section	0N007876-2		1	
-14		Frame Section	0N007877		1	
-15		Frame Section (Attaching Parts)	0N007876-1		1	
		Rivet	MS18535-79		10	
-16		Printed Wiring Board	0N008060		NP	

~~CONFIDENTIAL~~

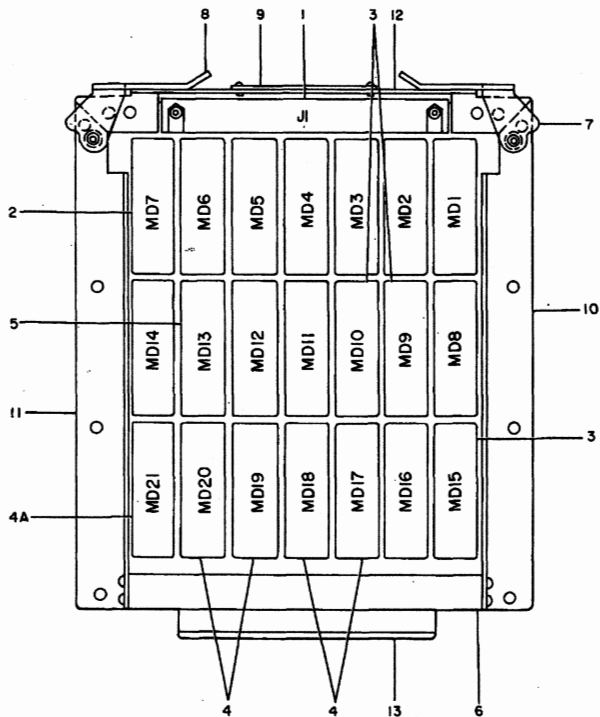


Figure 9.—Clock (E-AJQ)

GROUP ASSEMBLY PARTS LIST

Fig. & Index No.	Reference Designation	Description	Part No.	Units Per Assy.	Usable on Code
9-	1A7	Printed Wiring Assembly—Clock E-AJQ (See fig. 1-66 for NHA)			REF
-1	J1	Test Lead Attachment (Attaching Parts)	0N007908 0N008397	1	
		Eyelet, Rolled	0N008407-5	2	
-2	MD1-MD8, MD11,MD12, MD14,MD16 MD9,MD10, MD15	Module, Low Speed F/F	0N007841	12	
-3	MD17-MD20	Module, 2-3 Input Gate	0N007837	3	
-4	MD21	Module, Med Speed F/F	0N007840	4	
-4A	MD21	Module, Input Amplifier F/F	0N008575	1	
-5	MD13	Module, F/F Gate	0N007842	1	
-6		Frame Section—A7, Polarizer (Attaching Parts)	0N008192	1	
		Screw	MS21318-15	4	
-7		Lever, Ejector, LH	0N007859-2	1	
-8		Lever, Ejector, RH (Attaching Parts)	0N007859-1	1	
		Rivet	0N007831	2	
		Washer, Bearing	M515795-802	2	
		Spacer	0N007849	2	
-9		Plate, Identification (Attaching Parts)	0N008006-8	1	
		Rivet	MS20470A2-3	2	
-10		Frame Section	0N007876-2	1	
-11		Frame Section	0N007876-1	1	
-12		Frame Section (Attaching Parts)	0N007877	1	
		Rivet	MS16535-79	10	
-13		Printed Wiring Board	0N008063	NP	

~~CONFIDENTIAL~~

KAM-145B/TSEC

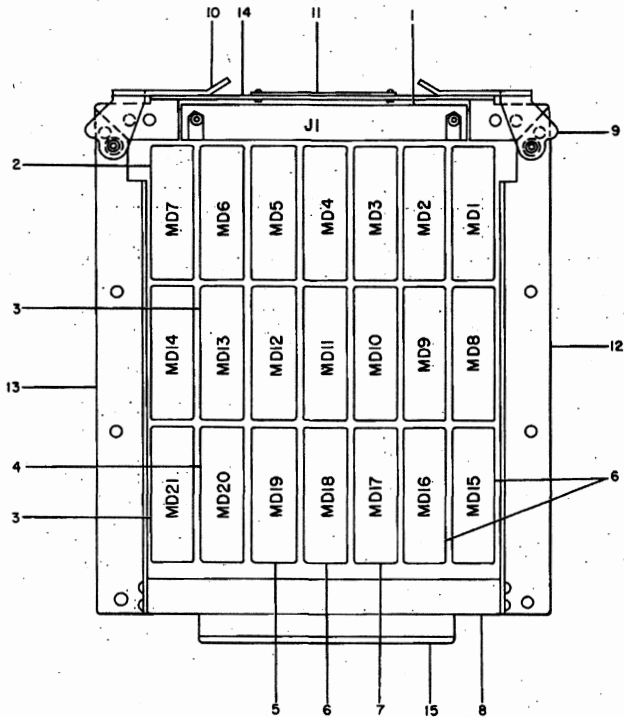


Figure 10.—Input Counter (E-AJP)

GROUP ASSEMBLY PARTS LIST

Fig. & Index No.	Reference Designation	Description	Part No.	Units Per Assy.	Usable on Code							
						1	2	3	4	5	6	7
10-	1A8	Printed Wiring Assembly-Input Counter E-AJP (See fig. 1-67 for NHA)	0N007907		REF							
-1	J1	Test Lead Attachment (Attaching Parts)	0N008397		1							
		Eyeteel, Rolled	0N008407-5		2							
-2	MD1-MD12, MD14	Module, Low Speed F/F	0N007841		13							
-3	MD13,MD21	Module, F/F Gate	0N007842		2							
-4	MD20	Module, OS/ST	0N007843		1							
-5	MD19	Module, Set Driver	0N007844		1							
-6	MD15,MD16, MD18	Module, 2-2 Input Gate	0N007836		3							
-7	MD17	Module, 2-3 Input Gate	0N007837		1							
-8		Frame Section-A8, Polarizer (Attaching Parts)	0N008199		1							
		Screw	MS21318-15		4							
-9		Lever, Ejector, LH	0N007859-2		1							
-10		Lever, Ejector, RH (Attaching Parts)	0N007859-1		1							
		Rivet	0N007831		2							
		Washer, Bearing	MS15795-902		2							
		Spacer	0N007849		2							
-11		Plate, Identification (Attaching Parts)	0N008006-7		1							
		Rivet	MS20470A2-3		2							
-12		Frame Section	0N007876-2		1							
-13		Frame Section	0N007876-1		1							
-14		Frame Section (Attaching Parts)	0N007877		1							
		Rivet	MS16535-79		10							
-15		Printed Wiring Board	0N008062		NP							

~~CONFIDENTIAL~~

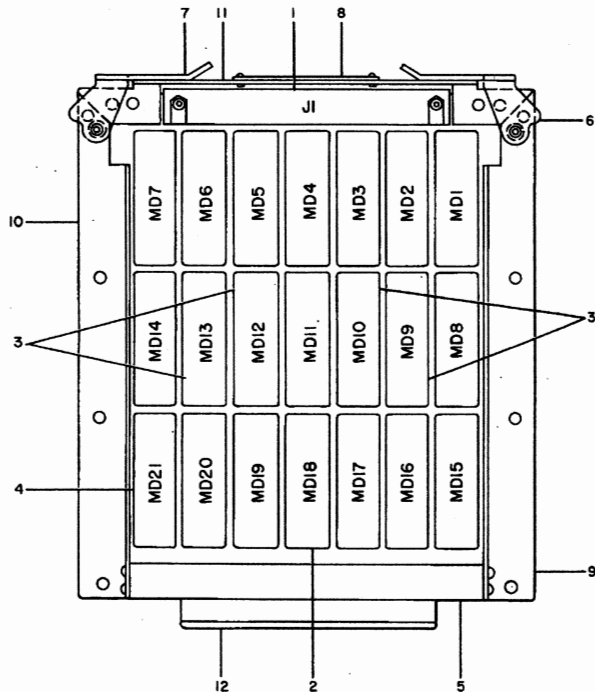


Figure 11.—Registers (E-AJS)

GROUP ASSEMBLY PARTS LIST

Fig. & Index No.	Reference Designation	Description	Part No.	Units Per Assy.	Usable on Code
11-	1A9	Printed Wiring Assembly-Registers E-AJS (See fig. 1-68 for NHA)	0N007910	REF	
-1	J1	Test Lead Attachment (Attaching Parts)	0N008397	1	
		Eyelet, Rolled	0N008407-5	2	
-2	MD1-MD8, MD11,MD14- MD20	Module, Low Speed F/F	0N007841	16	
-3	MD8,MD10, MD12,MD13	Module, F/F Gate	0N007842	4	
-4	MD21	Module, 2-3 Input Gate	0N007837	1	
-5		Frame Section-A9, Polarizer (Attaching Parts)	0N008191	1	
		Screw	MS21318-15	4	
-6		Lever, Ejector, LH	0N007859-2	1	
-7		Lever, Ejector, RH (Attaching Parts)	0N007859-1	1	
		Rivet	0N007831	2	
		Washer, Bearing	MS15795-802	2	
		Spacer	0N007849	2	
-8		Plate, Identification (Attaching Parts)	0N008006-10	1	
		Rivet	MS20470A2-3	2	
-9		Frame Section	0N007876-2	1	
-10		Frame Section	0N007876-1	1	
-11		Frame Section (Attaching Parts)	0N007877	1	
		Rivet	MS16535-79	10	
-12		Printed Wiring Board	0N007998	NP	

~~CONFIDENTIAL~~

KAM-145B/TSEC

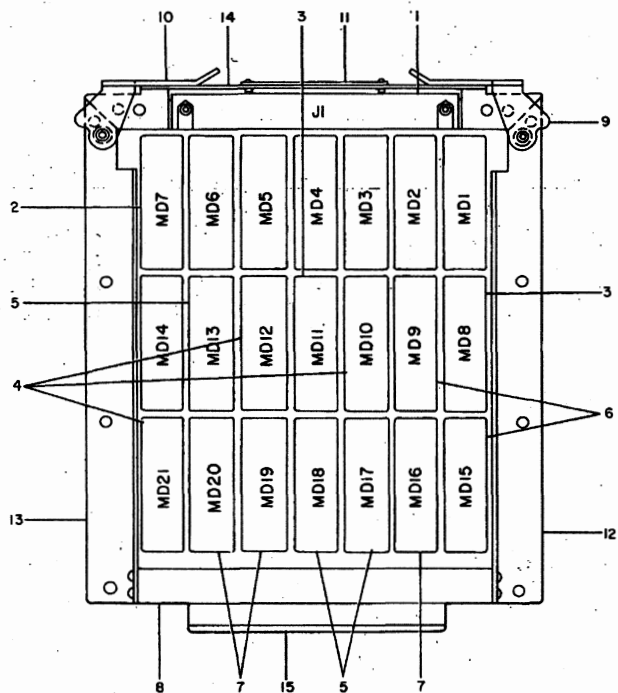


Figure 12.—Output Counter (E-AJR)

GROUP ASSEMBLY PARTS LIST

Fig & Index No.	Reference Designation	Description	Part No.	Units Per Assy.	Usable on Code	
						1
12-	1A10	Printed Wiring Assembly-Output Counter E-AJR (See fig. 1-69 for NHA)	0N007909	REF		
-1	J1	Test Lead Attachment (Attaching Parts)	0N008397	1		
		Eyelet, Rolled	0N008407-5	2		
-2	MD1-MD7, MD14	Module, Low Speed F/F	0N007841	8		
-3	MD8,MD11	Module, Lamp Driver	0N007838	2		
-4	MD10,MD12, MD21	Module, 2-2 Input Gate	0N007836	3		
-5	MD13,MD17, MD18	Module, 2-3 Input Gate	0N007837	3		
-6	MD9,MD15	Module, F/F Gate	0N007842	2		
-7	MD16,MD19, MD20	Module, OS/ST	0N007843	3		
-8		Frame Section-A10, Polarizer (Attaching Parts)	0N008198	1		
		Screw	MS21318-15	4		
-9		Lever, Ejector, LH	0N007859-2	1		
-10		Lever, Ejector, RH (Attaching Parts)	0N007859-1	1		
		Rivet	0N007831	2		
		Washer, Bearing	MS15796-802	2		
		Spacer	0N007849	2		
-11		Plate, Identification (Attaching Parts)	0N008006-9	1		
		Rivet	MS20470A2-3	2		
-12		Frame Section	0N007876-2	1		
-13		Frame Section	0N007876-1	1		
-14		Frame Section (Attaching Parts)	0N007877	1		
		Rivet	MS16535-79	10		
-15		Printed Wiring Board	0N007995	NP		

~~CONFIDENTIAL~~

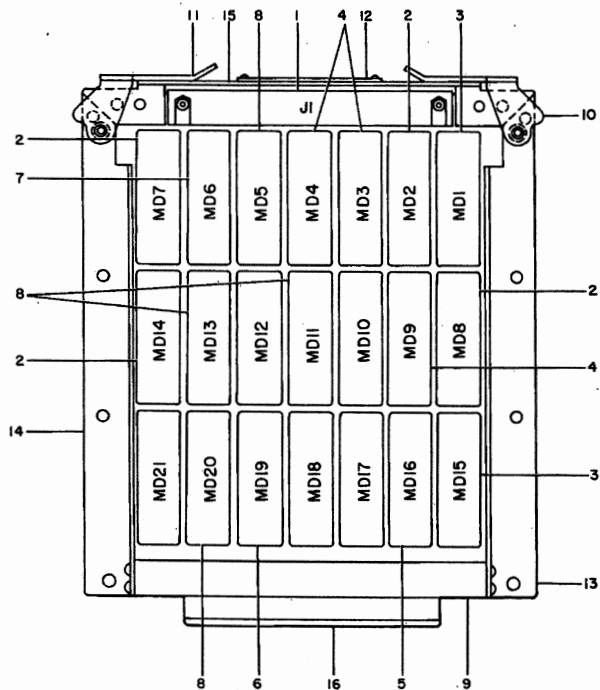


Figure 13.—Input Counter (E-AJU)

GROUP ASSEMBLY PARTS LIST

Fig. & Index No.	Reference Designation	Description	Part No.	Units Per Assy.	Usable on Code
13-	IA11	Printed Wiring Assembly-Input Circuit E-AJU (See fig. 1-70 for NHA)			REP
-1	J1	Test Lead Attachment (Attaching Parts)	0N007912 0N008397		1
		Eyelet, Rolled	0N008407-5		2
-2	MD2,MD7, MD8,MD14	Module, OS/ST	0N007843		4
-3	MD1,MD15	Module, Loop Input	0N007845		2
-4	MD3,MD4, MD9	Module, 2-3 Input Gate	0N007837		3
-5	MD10,MD12, MD16,MD17, MD18,MD21	Module, Low Speed F/F	0N007841		6
-6	MD19	Module, Lamp Driver	0N007838		1
-7	MD6	Module, F/F Gate	0N007842		1
-8	MD5,MD11, MD13,MD20	Module, 2-2 Input Gate	0N007836		4
-9		Frame Section-A11, Polarizer (Attaching Parts)	0N008190		1
		Screw	MS21318-15		4
-10		Lever, Ejector, LH	0N007859-2		1
-11		Lever, Ejector, RH (Attaching Parts)	0N007859-1		1
		Rivet	0N007831		2
		Washer, Bearing	MS15796-802		2
		Spacer	0N007849		2
-12		Plate, Identification (Attaching Parts)	0N008006-12		1
		Rivet	MS20470A2-3		2
-13		Frame Section	0N007876-2		1
-14		Frame Section	0N007876-1		1
-15		Frame Section (Attaching Parts)	0N007877		1
		Rivet	MS16535-79		10
-16		Printed Wiring Board	0N008065		NP

CONFIDENTIAL

KAM-145B/TSEC

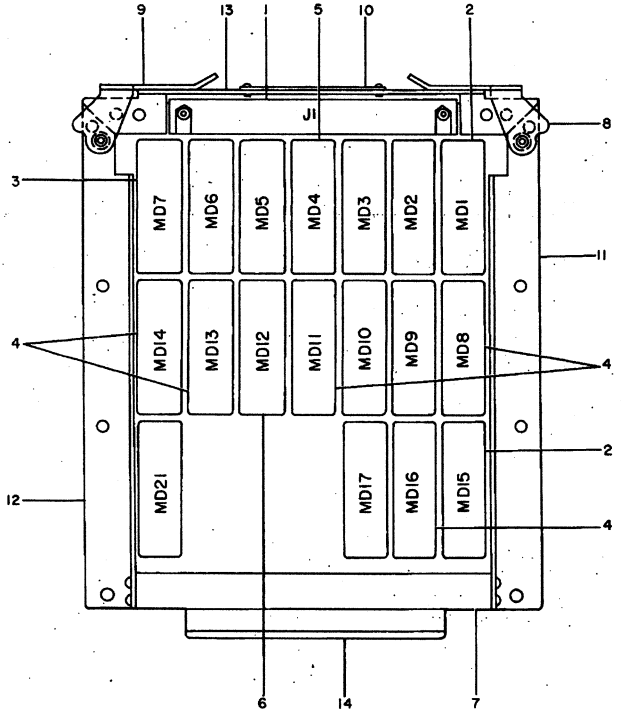


Figure 14.—Indicator Counter (E-AJT)

GROUP ASSEMBLY PARTS LIST

Fig. & Index No.	Reference Designation	Description	Part No.	Units Per Assy.	Usable on Code
14-	1A12	Printed Wiring Assembly-Indicator Counter, E-AJT (See fig. 1-71 for NHA)	0N007911		REF
-1	J1	Test Lead Attachment (Attaching Parts)	0N008397	1	
		Eyelet, Rolled	0N008407-5	2	
-2	MD1,MD15	Module, OS/ST	0N007843	2	
-3	MD2,MD3, MD5,MD6, MD7,MD8, MD10,MD17, MD21	Module, Low Speed F/F	0N007841	9	
-4	MD8,MD11, MD13,MD14, MD16	Module, 2-3 Input Gate	0N007837	5	
-5	MD4	Module, F/F Gate	0N007842	1	
-6	MD12	Module, 2-2 Input Gate	0N007836	1	
-7		Frame Section-A12, Polarizer (Attaching Parts)	0N008197	1	
		Screw	MS21318-15	4	
-8		Lever, Ejector, LH	0N007859-2	1	
-9		Lever, Ejector, RH (Attaching Parts)	0N007859-1	1	
		Rivet	0N007831	2	
		Washer, Bearing	MS15795-802	2	
-9		Spacer	0N007849	2	
-10		Plate, Identification	0N008006-11	1	
-11		Frame Section	0N007876-2	1	
-12		Frame Section	0N007876-1	1	
-13		Frame Section (Attaching Parts)	0N007877	1	
		Rivet	MS16535-79	10	
-14		Printed Wiring Board	0N008064		NP

CONFIDENTIAL

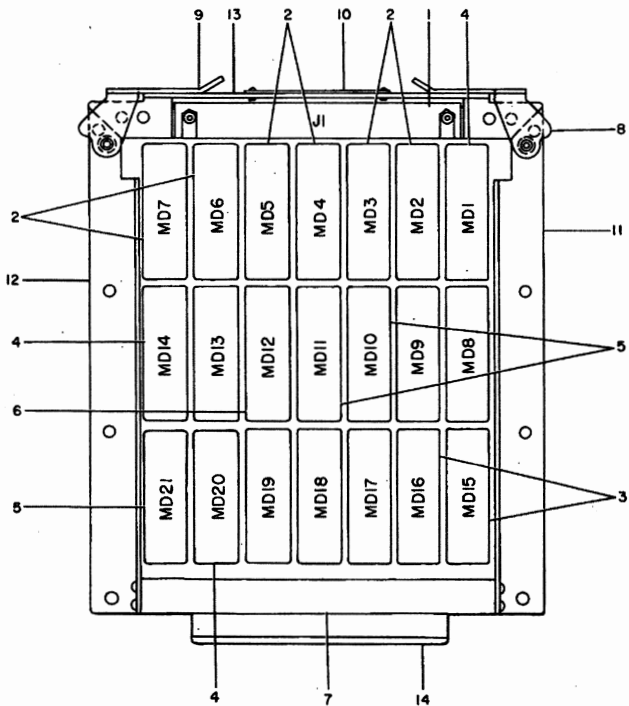


Figure 15.—Output Circuit (E-AJW)

GROUP ASSEMBLY PARTS LIST

Fig. & Index No.	Reference Designation	Description	Part No.	Units Per Assy.	Usable on Code
15-	1A13	Printed Wiring Assembly-Output Circuit E-AJW (See fig. 1-72 for NHA)	0N007914		REF
-1	J1	Test Lead Attachment (Attaching Parts)	0N008397	1	
		Eyelet, Rolled	0N008407-5	2	
-2	MD2-MD7	Module, Low Speed F/F	0N007841	6	
-3	MD15,MD16	Module, 2-3 Input Gate	0N007837	2	
-4	MD1,MD8, MD9,MD13, MD14,MD17, MD18,MD19, MD20	Module, 2-2 Input Gate	0N007836	9	
-5	MD10,MD11, MD21	Module, Lamp Driver	0N007838	3	
-6	MD12	Module F/F Gate	0N007842	1	
-7		Frame Section-A13, Polarizer (Attaching Parts)	0N008189	1	
		Screw	0N008610	4	
-8		Lever, Ejector, LH	0N007859-2	1	
-9		Lever, Ejector, RH (Attaching Parts)	0N007859-1	1	
		Rivet	0N007831	2	
		Washer, Bearing	MS15795-802	2	
		Spacer	0N007849	2	
-10		Plate, Identification (Attaching Parts)	0N008006-14	1	
		Rivet	MS20470A2-3	2	
-11		Frame Section	0N007876-1	1	
-12		Frame Section	0N007876-1	1	
-13		Frame Section (Attaching Parts)	0N007877	1	
		Rivet	MS16535-79	10	
-14		Printed Wiring Board	0N008067	NP	

CONFIDENTIAL

KAM-145B/TSEC

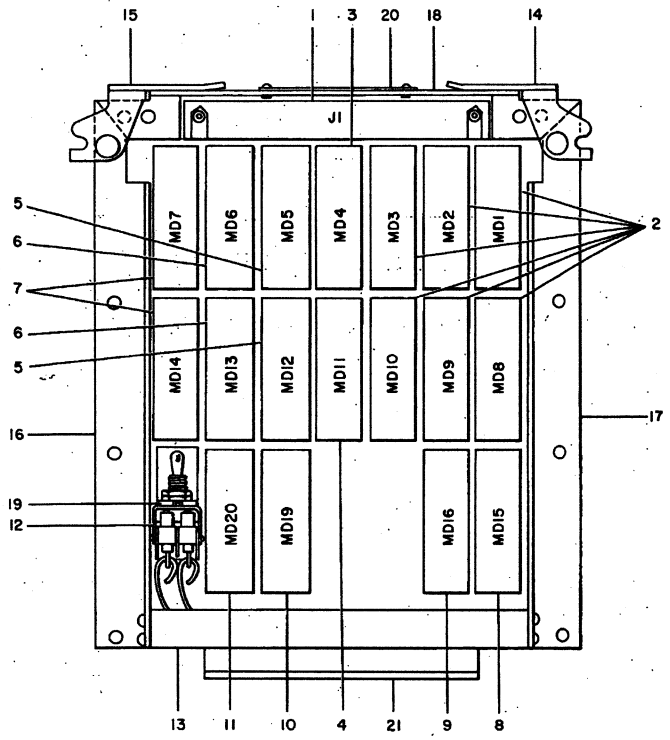


Figure 16.—Noise Circuit (E-AJV)

GROUP ASSEMBLY PARTS LIST

Fig. & Index No.	Reference Designation	Description	Part No.	Units Per Assy.	Usable on Code	
						1
16-	1A14	Printed Wiring Assembly-Noise Circuit E-AJV (See fig. 1-73 for NHA)	0N007913		REF	
-1	J1	Test Lead Attachment (Attaching Parts)	0N008397	1		
		Eyelet, Rolled	0N008407-5	2		
-2	MD1-MD3, MD8-MD10	Module, 2-2 Input Gate	0N007836	6		
-3	MD4	Module, Noise, Gate	0N007855	1		
-4	MD11	Module, Special O.S.	0N008851	.1		
-5	MD5,MD12	Module, Low Speed F/F	0N007841	2		
-6	MD6,MD13	Module, Noise Amplifier	0N007853	2		
-7	MD7,MD14	Module, Noise Generator	0N008654	2		
-8	MD15	Module, D/A No. 1	0N008746	1		
-9	MD16	Module, Relay Driver	0N007852	1		
-10	MD19	Module, D/A No. 3	0N007848	1		
-11	MD20	Module, D/A No. 2	0N007847	1		
-12	S1	Switch, Toggle (Attaching Parts)	0N008604-1	1		
		Ring, Locking	0N008660	1		
		Washer	0N008572-4	1		
		Nut	0N008659	1		
-13		Frame Section-A14, Polarizer (Attaching Parts)	0N008196	1		
		Screw	MS21318-16	4		
-14		Lever, Ejector, LH	0N007859-2	1		
-15		Lever, Ejector, RH (Attaching Parts)	0N007859-1	1		
		Rivet, Semi-Tubular	0N007831	2		
		Washer, Bearing	MS15795-802	2		
		Spacer	0N007849	2		
-16		Frame Section	0N007876-1	1		
-17		Frame Section	0N007876-2	1		
-18		Frame Section	0N007877	1		
-19		Bracket, Switch (Attaching Parts)	0N008068	1		
		Rivet	MS16535-79	2		
-20		Plate, Identification (Attaching Parts)	0N008006-13	1		
		Rivet, Solid	MS20470A2-3	2		
-21		Printed Wiring Board	0N008066	NP		

CONFIDENTIAL

~~CONFIDENTIAL~~

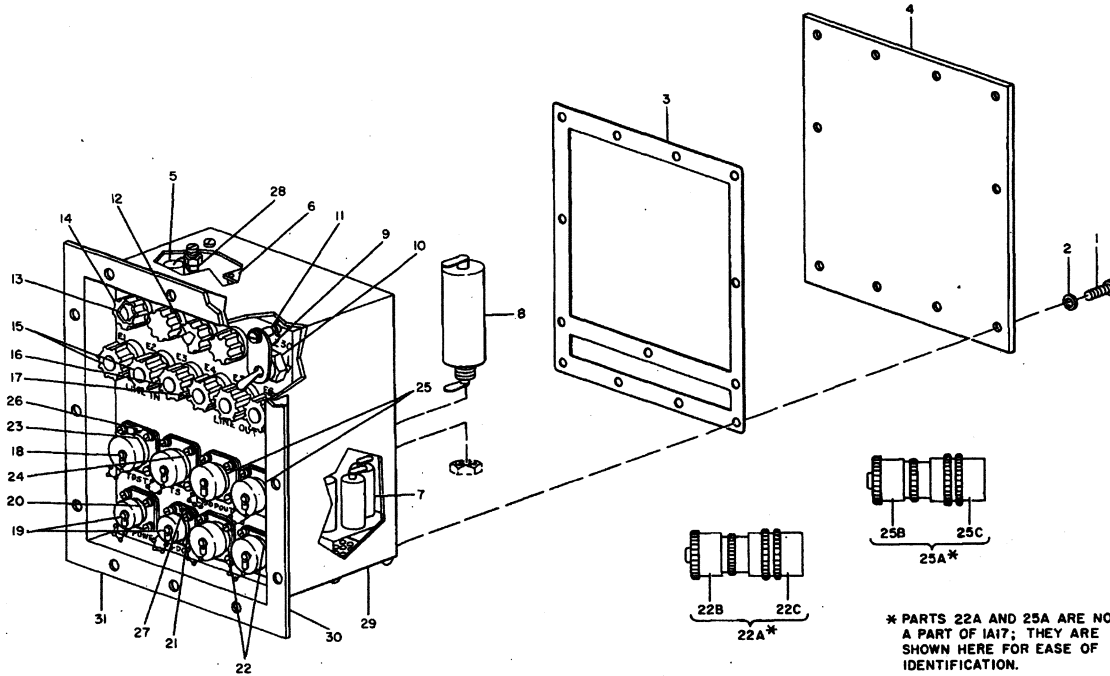


Figure 17.—Radio Interference Filter (IA17)

~~CONFIDENTIAL~~

~~CONFIDENTIAL~~

KAM-145B/TSEC

GROUP ASSEMBLY PARTS LIST

Fig. & Index No.	Reference Designation	Description	Part No.	Units Per Assy.	Unable on Code	
						1
17-	IA17	Filter Assembly, Radio Interference (See fig. 1-103 for NHA)	0N008166	REF	J	
	IA17	Filter Assembly, Radio Interference (See fig. 1-103 for NHA)	0N008766	REF	I	
		Cover, Rear Filter Assembly	0N008271	1		
		(Attaching Parts)				
-1		Screw	MS51957-28	13		
-2		Washer	MS15795-805	13		
-3		Gasket	0N008512	1		
-4		Cover, Back	0N008271	1		
-5	C1, C2	Capacitor, Fixed, Electrolytic, 80uF, -15 +50pct, 50V	0N008378	2		
-6	FL1-FL2	Filter, Radio Interference	0N008443-2	2		
		(Attaching Parts)				
		Screw	AN507C440-5	4		
-7	FL3, FL6-FL15	Filter, Radio Interference	0N008443-4	11		
-8	FL4, FL5	Filter, Radio Interference	0N008443-1	2		
-9		Plate, Locking	0N008290	1		
		(Attaching Parts)				
		Screw	MS51957-26	1	A	
		Screw	MS51957-32	1	D	
		Washer	MS35338-136	1		
		Washer	MS15795-805	1		
-10	S1	Switch, Toggle	0N008413	1		
-11		Spacer, Switch	0N008207	1		
		(Attaching Parts)				
		Screw	MS51957-26	1		
		Washer	MS35338-136	1		
		Washer	MS15795-805	1		
-12	F1, F2	Fuse	MS90078-11-1	2		
-13	F3, F4	Fuse	MS90078-14-1	2		
-14	XP1-XP4	Fuse Holder	FHN20G	4		
-15	E1, E2	Terminal, Feed-Thru	0N008418-2	2		
-16	E3	Terminal, Feed-Thru	0N008418-1	1		
-17	E4, E5, E6	Terminal, Feed-Thru	0N008418-3	3		
-18		Cap. Electrical	0N008422-3	6		
-19		Cap. Electrical	0N008422-2	2		
		(Attaching Parts)				
		Screw	MS51957-15	8		
		Washer	MS15795-803	8		

GROUP ASSEMBLY PARTS LIST

Fig. & Index No.	Reference Designation	Description	Part No.	Units Per Assy.	Unable on Code	
						1
17-20	J1	Connector, Receptacle, Electrical	MS3112E8-4P	1		
	J2	Connector, Receptacle, Electrical	MS3112E8-4PW	1		
	J3, J4	Connector, Receptacle, Electrical	0N008417-4	2		
	-22A	Dummy Connector, (Used with J3, J4)	0N008082	1		
	-22B	Cover, Electrical Connector	MS25043-10	1		
	-22C	Connector, Plug	0N008505-1	1		
	-23	Connector, Receptacle, Electrical	0N008417-2	1		
	-24	Connector, Receptacle, Electrical	0N008417-3	1		
	-25	Connector, Receptacle, Electrical	0N008417-1	2		
	-25A	Dummy Connector (Used with J7, J8)	0N008083	1		J
		(Attaching Parts)				
		Screw	MS36233-15	32		I
		Washer	MS15795-303	32		
		Washer	MS35338-79	32		
		(Attaching Parts)				
		Cover, Electrical Connector	MS25043-10	1		
		Connector, Plug	0N008505-2	1		
		Shielding Gasket, Electronic	0N008021	6		
		Shield, Gasket	0N007931	2		
		Terminal, Stud	0N008449-2	2		
		(Attaching Parts)				
		Screw	AN507C440-3	2		
		Washer	MS35338-135	2		
		(Attaching Parts)				
		Cover, Bottom	0N008069	1		J
		(Attaching Parts)				
		Screw	MS51957-14	6		A
		Screw	MS51957-27	6		D
		Washer	MS35338-136	6		
		(Attaching Parts)				
		Gasket, Shield	0N008185	1		J
		Enclosure, Filter Assembly	0N006161	1		J
		(Attaching Parts)				
		Screw	MS51957-15	8		
		Washer	MS15795-803	8		

~~CONFIDENTIAL~~

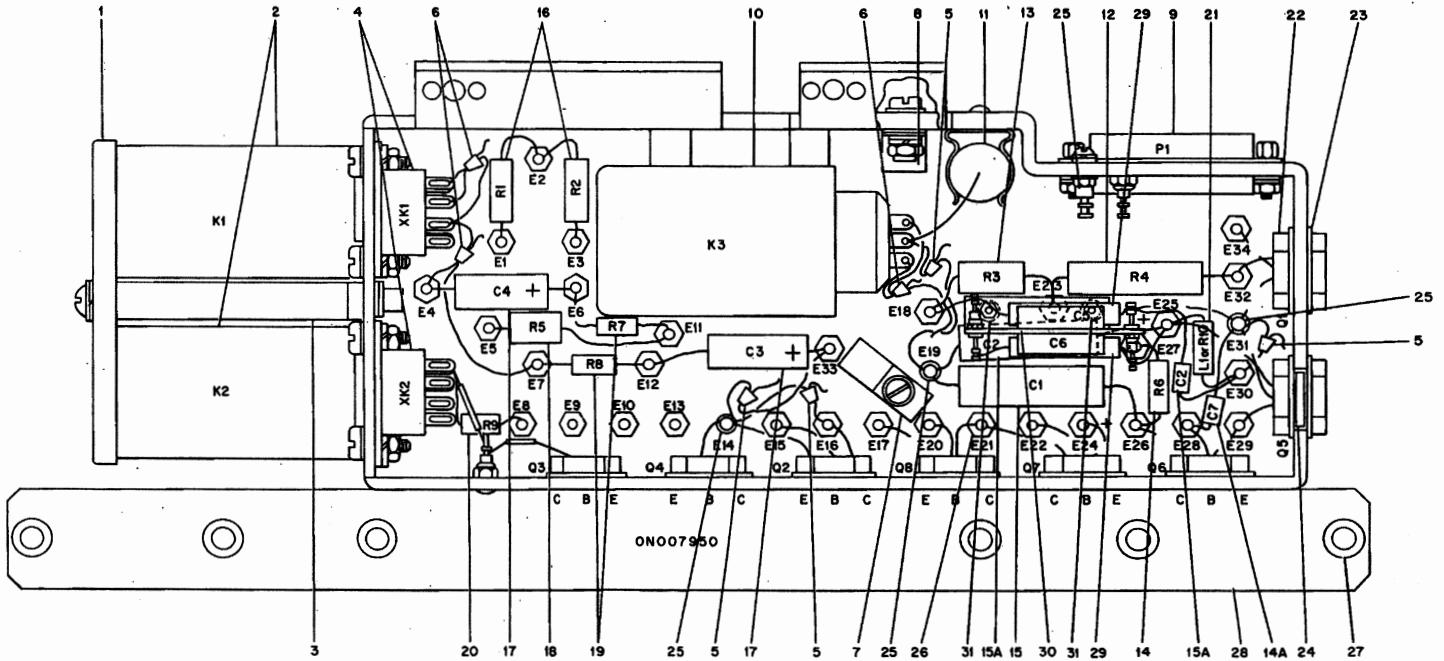


Figure 17A.—Relay Retainer Bracket (E-BAT)

~~CONFIDENTIAL~~

GROUP ASSEMBLY PARTS LIST

Fig. & Index No.	Reference Designation	Description	Part No.	Units Per Assy.	Usable on Code			
						1	2	3
17A-1	1A18	Chassis Assembly, Relay E-BAT (See fig. 1-109 for NHA)	0N007960	REF				
		Retainer, Relay	0N007964	1				
		(Attaching Parts)						
		Screw	MS51957-46	2				
		Washer	MS15795-807	2				
		Washer	MS35338-137	2				
		2	K1, K2	Relay, Armature	0N008343	2		
				Bracket	0N008114	1		
				(Attaching Parts)				
				Screw	MS16995-25	2		
				Washer	MS15795-807	2		
				Washer	MS35338-137	2		
4	XK1, XK2	Socket	TS101P01	2				
		(Attaching Parts)						
		Screw	MS51957-29	4				
		Washer	MS15795-805	4				
		Washer	MS35338-136	4				
		Nut	MS35649-64	4				
		W1	Wiring Harness, Branched		0N008531	1		
				Ferrule	MS25311-100	4		
				Ferrule	MS25311-120	3		
				Clamp	MS25281-4	1		
Clamp	MS25281-3			1				
(Attaching Parts)								
Screw	MS51957-31	2						
Washer	MS15795-805	2						
Washer	MS35338-136	2						
Nut	MS35649-64	2						
9	P1	Connector, Replace, Electrical	0N008376-1	1				
		(Attaching Parts)						
		Stud, Connector Mounting	0N008568	2				
		Washer	MS15795-803	2				
		Washer	MS35338-135	2				
		Nut	MS35649-44	2				
-10	K3	Relay, Armature	0N008367	1				
		(Attaching Parts)						
		Screw	MS51957-43	2				
Washer	MS15795-807	2						
-11	CR1	Absorber, Overvoltage	0N008429	1				
-12	R4	Resistor, Fixed, Wire-Wound: 360 Ohms, 1pct, 7w	0N008180-4	1				

KAM-145B/TSEC

GROUP ASSEMBLY PARTS LIST

Fig. & Index No.	Reference Designation	Description	Part No.	Units Per Assy.	Usable on Code	
						1
17A-13	R3*	Resistor, Fixed, Composition: 130 Ohms, 1pct, 3w	0N008180-2	1		
	R3*	Resistor, Fixed, Wire-Wound: 130 Ohms, 1pct, 6.5w	0N008180-5	1		
-14	R6	Resistor, Fixed, Wire-Wound: 360 Ohms, 1pct, 3w	0N008180-3	1		
		Capacitor, Fixed, Electrolytic	CS13BF565K	1	Q	
-14A	C7	Capacitor, Fixed, Paper: 0.33uf, 10pct, 200V	CP05A3KB334K3	1		
		Capacitor, Fixed, Paper: 0.33uf, ±10pct, 200V	CP05A3KB334K3	1	T	
-15	C1	Capacitor, Fixed, Electrolytic: 2.5uf, 10pct, 100V	CL65CN2R5MP3	1	U	
		Capacitor, Fixed, Paper: 0.33uf, 10pct, 200V	0N008180-1	2		
-16	R1, R2	Resistor, Fixed, Composition: 1.75K, 0.5pct, 3w	0N008180-1	1		
		Capacitor, Fixed, Paper: 0.1uf, 10pct, 200V	CP05A1KC104K3	2		
-17	C3, C4	Resistor, Fixed, Composition: 56 Ohms, 5pct, 1w	RC32CF560J	1		
		Resistor, Fixed, Composition: 1600 Ohms, 5pct, 1/4w	RC07CF152J	2		
-18	R5	Resistor, Fixed, Composition: 680 Ohms, 5pct, 1/2w	RC20CF681J	1		
		Choke, Radio Frequency	0N008581	1	T	
-19	R7, R8	Resistor, Fixed, Wire-Wound: 360 Ohms, 1pct, 3w	0N008180-3	1	U	
		Transistor	JAN2N2559	8		
-20	R9	Plate, Insulator	0N008312	16		
		Insulator, Transistor	0N008616	8		
-21	L1	Terminal Stud	0N008442	4		
		Resistor, Fixed, Wire-Wound: 360 Ohms, 1pct, 3w	0N008312	1		
-21A	R10	Chassis, Relay	0N007917	1		
		(Attaching Parts)				
-22	Q1-Q8	Screw	MS51957-14	4		
		Washer	MS15795-803	4		
-23	E14, E19, E23, E36	Washer	MS35338-135	4		
		Washer	MS35338-57	4		
-24	E1-E13, E15-E18, E20-E30, E32-E35, E37	Terminal Stud	0N008315-2	33		
		Nut, Floating	0N008479	4		
-25	C5, C6	Chassis	No Number	NP		
		Capacitor, Fixed, Electrolytic: 25uf, -15pct, +75pct, 100VDC	CL25BN250UP3	2		
-27	C5, C6	Bracket, Capacitor	0N008649	1		
		Spacer	0N008490	2		
-28	C5, C6	(Attaching Parts)				
		Screw, Pan Head	MS51957-34	2		
-29	C5, C6	Washer, Lock	MS35338-136	2		
		Washer, Flat	MS15795-805	2		

*R3 originally 130 Ohms, 3 watts. If replacement necessary, use 130 Ohms, 6.5 watts.

~~CONFIDENTIAL~~

~~CONFIDENTIAL~~

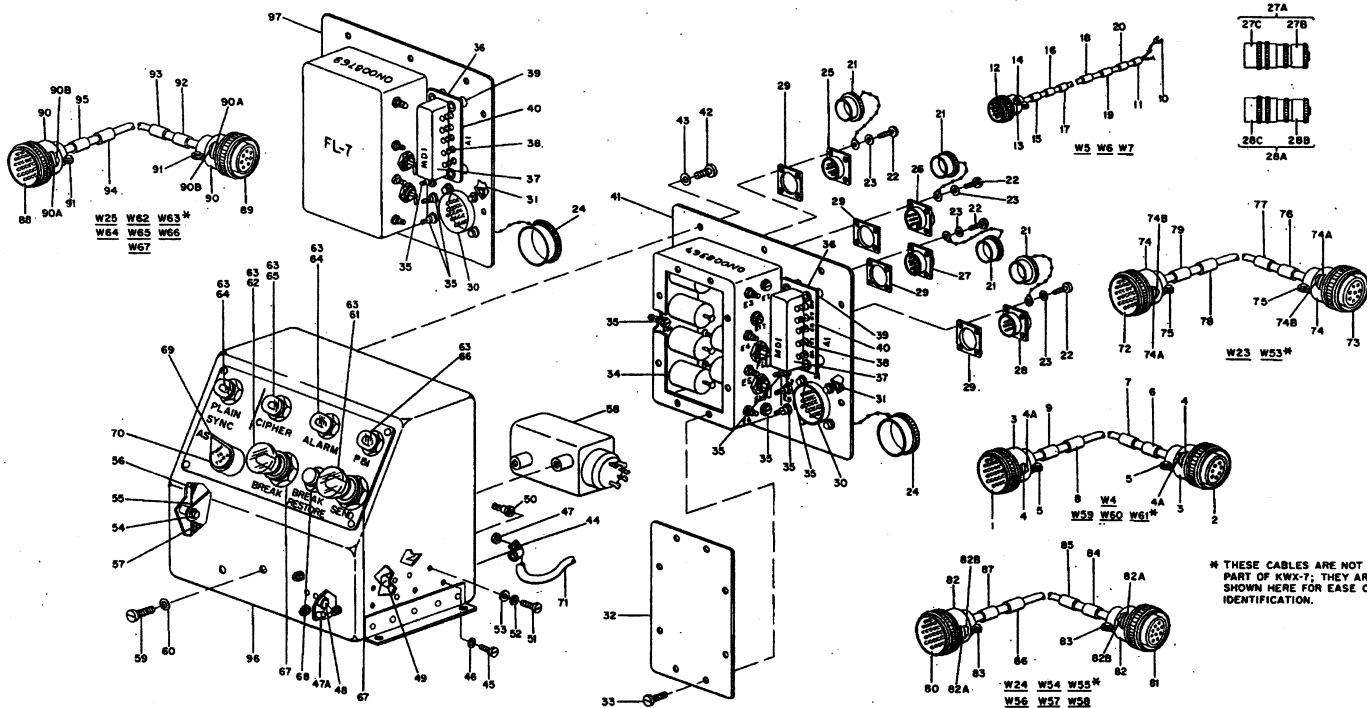


Figure 18.—Remote Control Unit (KWX-7)

* THESE CABLES ARE NOT A PART OF KWX-7; THEY ARE SHOWN HERE FOR EASE OF IDENTIFICATION.

~~CONFIDENTIAL~~

CONFIDENTIAL

KAM-145B/TSEC

GROUP ASSEMBLY PARTS LIST

Fig. & Index No.	Reference Designation	Description	Part No.	Units Per Assy.	Usable on Code	Fig. & Index No.	Reference Designation	Description	Part No.	Units Per Assy.	Usable on Code	
												1
18-	W4 W59 W60 W61	Control Unit, Remote, KWX-7	0N007897-1	1	K	i8-13		Grounding Sleeve, RF Cable Shield No. 1	0N008274	1	M	
		Control Unit, Remote, KWX-7	0N007897-4	1	L			-14	Grounding Sleeve, RF Cable Shield No. 2	0N008275	1	M
		Cable Assembly, Remote Control, 600 inches	0N008074-600	1				-15	Band, Marker	0N008507-13	1	
		Cable Assembly, Remote Control, 720 inches	0N008074-720	1					Band, Marker	0N008507-17	1	
		Cable Assembly, Remote Control, 900 inches	0N008074-900	1					Band, Marker	0N008507-11	1	
		Cable Assembly, Remote Control, 960 inches	0N008074-960	1				-16	Band, Marker	0N008507-14	1	
		Connector, Plug, Electrical	MSS3116E-18-32P	4	M				Band, Marker	0N008507-18	1	
		Connector, Plug, Electrical	0N008505-14	4	N				Band, Marker	0N008507-30	1	
		Connector, Plug, Electrical	MSS3116E-18-32S	4	M			-17	Band, Marker	0N008507-28	1	
		Connector, Plug, Electrical	0N008505-13	4	N				Band, Marker	0N008507-32	1	
		Box, Connector, Electrical	0N008326	8	M				Band, Marker	0N008507-31	1	
		Ground Sleeve No. 1	0N008539-2	8	M			-18	Band, Marker	0N008507-29	1	
Ground Sleeve No. 2	0N008540-2	8	M		Band, Marker	0N008507-33	1					
Clamp, Electrical	0N008474-1	8	M	-19	Band, Marker	0N008507-9	1					
		Band, Marker	0N008507-26	1		Band, Marker	0N008507-10	1				
		Band, Marker	0N008507-157	1		Band, Marker	0N008507-8	1				
		Band, Marker	0N008507-161	1		Band, Marker	0N008507-15	1				
		Band, Marker	0N008507-165	1		Band, Marker	0N008507-16	1				
		Band, Marker	0N008507-27	1		Band, Marker	0N008507-12	1				
		Band, Marker	0N008507-156	1		Cap, Electrical	0N006422-3	6	K			
		Band, Marker	0N008507-160	1		(Attaching Parts)						
		Band, Marker	0N008507-164	1		Screw	MSS1957-17	6				
		Band, Marker	0N008507-25	1		Washer	MS15795-803	6				
		Band, Marker	0N008507-155	1								
		Band, Marker	0N008507-159	1		Cap, Electrical	0N006422-1	1				
		Band, Marker	0N008507-163	1		(Attaching Parts)						
		Band, Marker	0N008507-24	1		Screw	MSS1957-17	1				
		Band, Marker	0N008507-154	1		Washer	MS15795-803	1				
		Band, Marker	0N008507-158	1								
		Band, Marker	0N008507-162	1		Connector, Receptacle, Electrical						
		Cable Assembly, Step TD	0N008078	1		Box Mounting	0N008417-3	1	K			
	W5	Cable Assembly, Loop Input	0N008079	1		(Attaching Parts)						
	W6	Cable Assembly, Loop Output	0N008080	1		Screw	MSS1957-17	3				
	W7	Cable, Special Purpose: Shielded two conductor bulk cable	0N008433	A/R*		Washer	MS15795-803	3				
		Terminal, Lag, Insulated	0N006439	3								
		Ferrule	MS23311-180	1		Connector, Receptacle, Electrical Box						
		Connector, Plug, Electrical	0N008505-3	1	M	Mounting	0N008417-2	1	K			
		Connector, Plug, Electrical	0N008505-1	1	N	(Attaching Parts)						
		Connector, Plug, Electrical	0N008505-4	1	M	Screw	MSS1957-17	3				
		Connector, Plug, Electrical	0N008505-2	1	N	Washer	MS15795-803	3				
		Connector, Plug, Electrical	0N008505-5	1	M							
		Connector, Plug, Electrical	0N008505-11	1	N	Connector, Receptacle, Electrical Box						
						Mounting	0N008417-4	2	K			
						(Attaching Parts)						
						Screw	MSS1957-17	6				
						Washer	MS15795-803	6				

*This is bulk two-conductor shielded cable that is used to fabricate LOOP cables. The FSN supplied is for a 1000-foot reel of cable.

CONFIDENTIAL

~~CONFIDENTIAL~~

GROUP ASSEMBLY PARTS LIST

Fig. & Index No.	Reference Designation	Description	Part No.	Units Per Assy.	Usable on Code	
						1
18-27A	CP1	Dummy Connector	0N008083	1		
		Cover, Electrical, Connector	MS25043-10	1		
		Connector, Plug	0N008505-2	1		
-28	J5, J6	Connector, Receptacle, Electrical Box				
		Mounting	0N008417-1	2	K	
		(Attaching Parts)				
-28A	CP2	Screw	MS51957-17	6		
		Washer	MS15795-803	6		
		Dummy Connector	0N008082	1		
-29	J1	Cover, Electrical, Connector	MS25043-10	1		
		Connector, Plug	0N008505-1	1		
		Shielding Gasket, Electronic Connector, Small	0N008021	6	K	
-30	J1	Connector, Receptacle, Electrical	MS3112E18-32P	1	K	
		(Attaching Parts)				
		Screw	MS51957-17	3		
-31	FL1-FL6 E1, E2, E7, E8, E9, E16	Washer	MS15795-803	3		
		Shielding Gasket, Electronic	0N008023	1		
		Cover, Filter Enclosure	0N008159	1	K	
-32	A1	(Attaching Parts)				
		Screw	MS51957-17	8		
		Washer	MS15795-803	8		
-33	A1	Filter, Radio Interference	0N008443-3	6	K	
		Terminal, Stud	0N008442	6		
		(Attaching Parts)				
-34	A1	Screw	MS35231-14	6		
		Washer	MS35338-135	6		
		Washer	MS15795-803	6		
-35	A1	Lamp Driver Assembly	0N007861	1		
		(Attaching Parts)				
		Screw	MS51957-30	4		
-36	MD1	Washer	MS35338-136	4		
		Washer	MS15795-805	4		
		Module, Lamp Driver	0N007839	1		
-37	A1E1-A1E10	Terminal, Stud	SE12XC04	10		
		Rivet, Stand-Off	0N008394-1	4		
		Terminal Board, Lamp Driver	0N007832	N/P		
-40		Enclosure, Filter	0N008369*	1	K	

*This item no longer available as replacement part. Order sealed filter 0N008769.

~~CONFIDENTIAL~~

GROUP ASSEMBLY PARTS LIST

Fig. & Index No.	Reference Designation	Description	Part No.	Units Per Assy.	Usable on Code	
						1
18-41	R1	Gasket, Shield	0N008596	1		
		(Attaching Parts)				
		Screw	MS51957-30	10		
-42	R1	Washer	MS15795-805	10		
		Clamp, Loop	MS25081-6	1		
		(Attaching Parts)				
-44	R1	Screw	MS51957-30	1		
		Washer	MS15795-805	1		
		Nut, Self-Locking	MS35649-04	1		
-46	R1	Washer	MS35338-136	1		
		Resistor, Fixed, Composition: 82 Ohms, Sct. 1/2w	RC20GF820J	1	M	
		Resistor, Fixed, Composition: 820 Ohms, Sct. 1/2w	RC20GF821J	1	N	
-47A	C1	Capacitor, Fixed, Paper: 1uf, 10pct, 200V	CP5A1K104K3	1		
		Semiconductor Device, Diode	JAN1N540	1		
		Terminal, Stud	SE209D01	5		
-48	CR1	(Attaching Parts)				
		Screw	MS51957-12	5		
		Washer	MS35338-135	5		
-49	E10-E13, E18	Washer	MS15795-803	5		
		Retainer, Earphone Element	0N007949	1		
		(Attaching Parts)				
-50	E18	Screw	MS51957-49	2		
		Washer	MS15795-807	2		
		Nut, Self-Locking, Round	0N008331-2	2		
-51	LS1	Plate	0N007949-1	1		
		Earphone Element, Module	0N008346	1		
		Screen, Wire Fabric	0N007898	1		
-52	K1	Relay, Armature	0N008367	1		
		(Attaching Parts)				
		Screw	MS51957-43	2		
-53	K1	Washer	MS15795-807	2		
		Lens, Indicator Light	0N008399-2	1		
		Lens, Indicator Light	0N008399-1	1		
-54	DS1-DS6	Lamp, Incandescent, Miniature	0N008392	6		
		TYPE 345 (No Substitutes)	0N008391-1	2		
		Light, Indicator	0N008391-2	1		
-55	DS1	Light, Indicator	0N008391-1	2		
		Light, Indicator	0N008391-2	1		
		Light, Indicator	0N008391-2	1		
-56	XDS1, XDS3 XDS2	Light, Indicator	0N008391-1	2		
		Light, Indicator	0N008391-2	1		
		Light, Indicator	0N008391-2	1		

~~CONFIDENTIAL~~

KAM-145B/TSEC

GROUP ASSEMBLY PARTS LIST

Fig. & Index No.	Reference Designation	Description	Part No.	Units Per Assy.	Usable on Code	
						1
18-66	NDS4	Light, Indicator	0N008391-3	1		
-67	S2, S3	Light, Switch	0N008411	2		
-68	S4	Switch, Push	0N008419-2	1		
-69		Knob	0N008375	1		
-70	S1	Switch, Rotary	0N008336	1		
-71	W1	Wiring Harness, Branched	0N008210	1		
	W23	Cable Assembly, Remote Control, 30 inches	0N008074-30	1		
	W53	Cable Assembly, Remote Control, 84 inches	0N008074-84	1		
-72	P1	Connector, Plug, Electrical	MS3116E-18-32P	2	M	
		Connector, Plug, Electrical	0N008505-14	2	N	
-73	P2	Connector, Plug, Electrical	MS3116E-18-32S	2	M	
		Connector, Plug, Electrical	0N008605-13	2	N	
-74		Box, Connector, Electrical	0N008326	4	M	
-74A		Ground Sleeve No. 1	0N008539-2	4	M	
-74B		Ground Sleeve No. 2	0N008540-2	4	M	
-75		Clamp, Electrical	0N008474-1	4	M	
-76		Band, Marker	0N008507-107	1		
		Band, Marker	0N008507-133	1		
-77		Band, Marker	0N008507-105	1		
		Band, Marker	0N008507-132	1		
-78		Band, Marker	0N008507-103	1		
		Band, Marker	0N008507-131	1		
-79		Band, Marker	0N008507-101	1		
		Band, Marker	0N008507-130	1		
	W24	Cable Assembly, Remote Control, 120 inches	0N008074-120	1		
	W54	Cable Assembly, Remote Control, 240 inches	0N008074-240	1		
	W55	Cable Assembly, Remote Control, 300 inches	0N008074-300	1		
	W56	Cable Assembly, Remote Control, 360 inches	0N008074-360	1		
	W57	Cable Assembly, Remote Control, 420 inches	0N008074-420	1		
	W58	Cable Assembly, Remote Control, 480 inches	0N008074-480	1		
-80	P1	Connector, Plug, Electrical	MS3116E-18-32P	6	M	
		Connector, Plug, Electrical	0N008505-14	6	N	
-81	P2	Connector, Plug, Electrical	MS3116E-18-32S	6	M	
		Connector, Plug, Electrical	0N008505-13	6	N	
-82		Box, Connector, Electrical	0N008326	12	M	
-82A		Ground Sleeve No. 1	0N008539-2	12	M	
-82B		Ground Sleeve No. 2	0N008540-2	12	M	
-83		Clamp, Electrical	0N008474-1	12	M	

GROUP ASSEMBLY PARTS LIST

Fig. & Index No.	Reference Designation	Description	Part No.	Units Per Assy.	Usable on Code	
						1
18-84		Band, Marker	0N008507-108	1		
		Band, Marker	0N008507-137	1		
		Band, Marker	0N008507-141	1		
		Band, Marker	0N008507-145	1		
		Band, Marker	0N008507-149	1		
		Band, Marker	0N008507-153	1		
		Band, Marker	0N008507-106	1		
		Band, Marker	0N008507-136	1		
		Band, Marker	0N008507-140	1		
		Band, Marker	0N008507-144	1		
		Band, Marker	0N008507-148	1		
		Band, Marker	0N008507-152	1		
-86		Band, Marker	0N008507-104	1		
		Band, Marker	0N008507-135	1		
		Band, Marker	0N008507-139	1		
		Band, Marker	0N008507-143	1		
		Band, Marker	0N008507-147	1		
		Band, Marker	0N008507-151	1		
-87		Band, Marker	0N008507-102	1		
		Band, Marker	0N008507-134	1		
		Band, Marker	0N008507-138	1		
		Band, Marker	0N008507-142	1		
		Band, Marker	0N008507-146	1		
		Band, Marker	0N008507-150	1		
	W25	Cable Assembly, Remote Control, 1200 inches	0N008074-1200	1		
	W62	Cable Assembly, Remote Control, 1560 inches	0N008074-1560	1		
	W63	Cable Assembly, Remote Control, 1680 inches	0N008074-1680	1		
	W64	Cable Assembly, Remote Control, 2000 inches	0N008074-2000	1		
	W65	Cable Assembly, Remote Control, 2160 inches	0N008074-2160	1		
	W66	Cable Assembly, Remote Control, 2400 inches	0N008074-2400	1		
	W67	Cable Assembly, Remote Control, 6000 inches	0N008074-6000	1		
-88	P1	Connector, Plug, Electrical	MS3116E-18-32P	7	M	
	P1	Connector, Plug, Electrical	0N008505-14	7	N	
-89	P2	Connector, Plug, Electrical	MS3116E-18-32S	7	M	
	P2	Connector, Plug, Electrical	0N008505-13	7	N	
-90		Box, Connector, Electrical	0N008326	14	M	
-90A		Ground Sleeve No. 1	0N008539-2	14	M	
-90B		Ground Sleeve No. 2	0N008540-2	14	M	
-91		Clamp, Electrical	0N008474-1	14	M	

~~CONFIDENTIAL~~

~~CONFIDENTIAL~~

GROUP ASSEMBLY PARTS LIST

Fig. & Index No.	Reference Designation	Description							Part No.	Units Per Assy.	Usable on Code
		1	2	3	4	5	6	7			
18-92	.	Band, Marker							0N008507-112	1	
		Band, Marker							0N008507-169	1	
		Band, Marker							0N008507-173	1	
		Band, Marker							0N008507-177	1	
		Band, Marker							0N008507-181	1	
		Band, Marker							0N008507-185	1	
		Band, Marker							0N008507-189	1	
		Band, Marker							0N008507-111	1	
		Band, Marker							0N008507-168	1	
		Band, Marker							0N008507-172	1	
-93	.	Band, Marker							0N008507-176	1	
		Band, Marker							0N008507-180	1	
		Band, Marker							0N008507-184	1	
		Band, Marker							0N008507-188	1	
		Band, Marker							0N008507-110	1	
		Band, Marker							0N008507-167	1	
		Band, Marker							0N008507-171	1	
		Band, Marker							0N008507-175	1	
		Band, Marker							0N008507-179	1	
		Band, Marker							0N008507-183	1	
-94	.	Band, Marker							0N008507-187	1	
		Band, Marker							0N008507-109	1	
		Band, Marker							0N008507-166	1	
		Band, Marker							0N008507-170	1	
		Band, Marker							0N008507-174	1	
		Band, Marker							0N008507-178	1	
		Band, Marker							0N008507-182	1	
		Band, Marker							0N008507-186	1	
		Control Box, Marked							0N007782	1	
		Filter, Sealed							0N008769	1	L

GROUP ASSEMBLY PARTS LIST

Fig. & Index No.	Reference Designation	Description							Part No.	Units Per Assy.	Usable on Code
		1	2	3	4	5	6	7			

~~CONFIDENTIAL~~

~~CONFIDENTIAL~~

KAM-145B/TSEC

GROUP ASSEMBLY PARTS LIST

Fig. & Index No.	Reference Designation	Description							Part No.	Units Per Assy.	Usable on Code
		1	2	3	4	5	6	7			

GROUP ASSEMBLY PARTS LIST

Fig. & Index No.	Reference Designation	Description							Part No.	Units Per Assy.	Usable on Code
		1	2	3	4	5	6	7			

~~CONFIDENTIAL~~

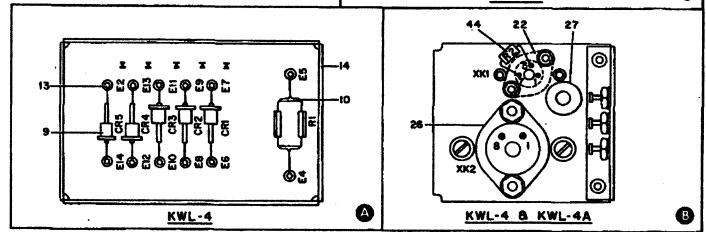
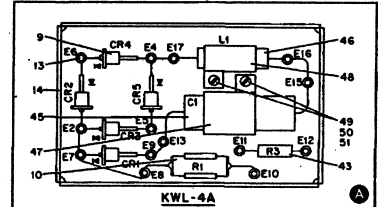
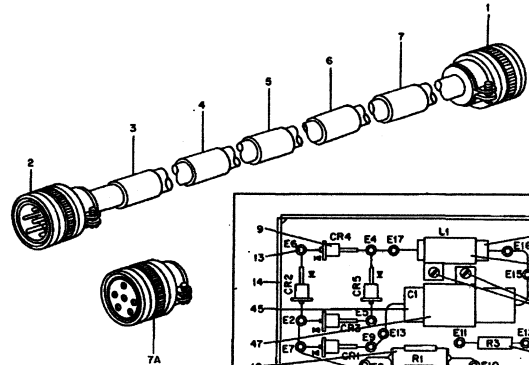
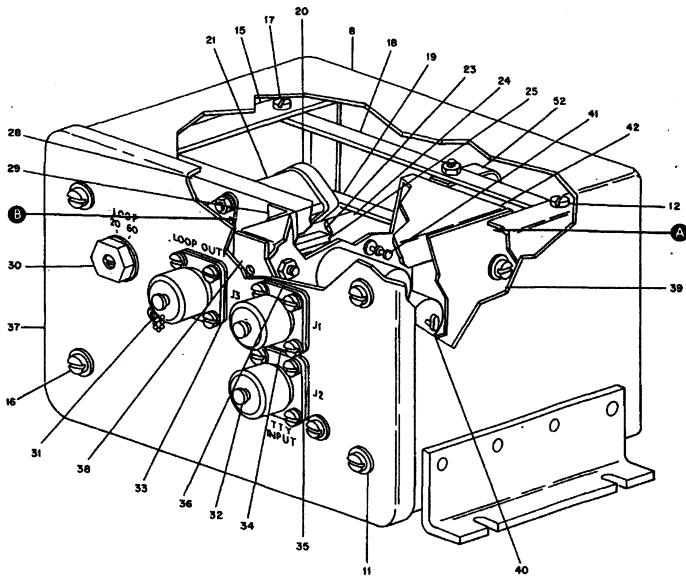


Figure 19.—Two-Wire Loop Adapter Unit (KWL-4)

~~CONFIDENTIAL~~

KAM-145B/TSEC

GROUP ASSEMBLY PARTS LIST

Fig. & Index No.	Reference Designation	Description	Part No.	Units Per Assy.	Usable on Code	
						1
19-	3	Two-Wire Loop Adapter Assembly, KWL-4	0N008099-1	1		
	W3	Two-Wire Loop Adapter Assembly, KWL-4A	0N008099-4	1		
		Cable Assembly, Loop Adapter	0N008212-1	2		
-1	P2	Connector, Plug, Electrical	0N008505-3	1	V	
-2	PI	Connector, Plug, Electrical	0N008505-1	1	W	
		Connector, Plug, Electrical	0N008505-4	1	V	
		Connector, Plug, Electrical	0N008505-2	1	W	
-3		Band, Marker	0N008507-21	1		
-4		Band, Marker	0N008507-19	1		
-5		Band, Marker	0N008507-20	1		
-6		Band, Marker	0N008507-22	1		
-7		Band, Marker	0N008507-23	1		
-7A		Connector, Plug, Electrical	0N008505-6	1		
-8		Housing, Loop Adapter	0N008100	1		
		(Attaching Parts)				
		Screw, Machine	0N008125	4		
		Washer	MS35338-137	4		
		Washer	MS15795-807	4		
-9	CRI-CR5	Semiconductor Device, Diode	JAN1N540	5		
-10	RI	Resistor, Fixed, Wire-Wound: 470 Ohms, 5pct, 5w	RW35V471	1		
		Support, Vertical	0N008103	1		
		Support, Vertical, RH	0N008001	1	KWL-4A	
		(Attaching Parts)				
-11		Screw	MS11957-44	2		
		Washer	MS15795-807	2		
-12		Screw	MS11957-44	2		
		Washer	MS15795-807	2		
-13	E2, E4-E14	Terminal, Stud	0N008315-1	12		
	E2, E4-E14, E15, E16	Terminal, Stud	0N008315-1	14	KWL-4A	
-14		Bracket, Vertical	No Number	NP		
		Bracket, Component	0N008229	1	KWL-4A	
-15		Support, Vertical, LH	0N008119	1		
		(Attaching Parts)				
-16		Screw, Modified	MS11957-44	2		
		Washer	MS15795-807	2		
-17		Screw	MS11957-44	4		
		Washer	MS15795-807	4		
-18		Nut, Strip	0N008104	1		
-19		Nut, Strip	0N008582	1		
-20		Retainer, Relay, No. 2	0N008105	1		

*All parts that are unique to the KWL-4A are so indicated in the Usable on Code Column.

GROUP ASSEMBLY PARTS LIST

Fig. & Index No.	Reference Designation	Description	Part No.	Units Per Assy.	Usable on Code	
						1
		(Attaching Parts)				
19-20		Screw	MS11957-53	2		
		Washer	MS15795-807	2		
-21	K1	Relay, Armature	0N008389	1		
-22	XX1	Socket, Relay	TS102P02	1		
		(Attaching Parts)				
		Screw	MS11957-14	2		
		Washer	MS15795-803	2		
		Washer	MS35338-135	2		
		Nut	MS35649-244	2		
-23		Retainer, Relay, No. 1	0N008106	1		
		(Attaching Parts)				
		Screw	MS11957-45	2		
		Washer	MS35338-137	2		
		Washer	MS15795-807	2		
-24	K2	Relay, Electronic	0N008390	1		
-25		Nut, Sleeve	0N008120	2		
		(Attaching Parts)				
		Screw	MS11957-45	2		
		Washer	MS35338-137	2		
		Washer	MS15795-807	2		
-26	XX2	Socket, Relay	TS101P01	1		
		(Attaching Parts)				
		Screw	MS11957-28	2		
		Washer	MS15795-805	2		
		Washer	MS35338-136	2		
		Nut	MS35649-264	2		
		Bracket, Relay	0N008102	1		
		(Attaching Parts)				
		Screw	MS11957-28	2		
		Washer	MS15795-805	2		
		Grommet	MS35489-6	1		
		Bracket, Relay	0N008116	1		
		Nut, Self-Locking	0N008331-1	4		
		Bracket, Support	0N007890	1		
		(Attaching Parts)				
		Screw	MS11957-28	2		
		Washer	MS15795-805	2		
		Washer	MS35338-136	2		
		Nut	MS35649-264	2		

~~CONFIDENTIAL~~

~~CONFIDENTIAL~~

GROUP ASSEMBLY PARTS LIST

Fig. & Index No.	Reference Designation	Description						Part No.	Units Per Assy.	Usable on Code
		1	2	3	4	5	6			
-30 -31	S1	Switch, Rotary						0N008489	1	
		Ferrule						MS25311-120	3	
		(Attaching Parts)								
		Screw						MS51957-15	3	
		Washer						MS15795-803	2	
-32		Cap. Electrical						0N008422-3	3	
-33	J3	Connector, Receptacle, Electrical Box Mounting						0N008417-4	1	
-34	J1	Connector, Receptacle, Electrical Box Mounting						0N008417-1	1	
-35	J2	Connector, Receptacle, Electrical Box Mounting						0N008417-3	1	
		(Attaching Parts)								
		Screw						MS51957-15	12	
		Washer						MS15795-803	24	
		Washer						MS35338-135	12	
		Nut						MS35649-244	12	
-36		Shielding Gasket, Electronic						0N008021	3	
-37		Cover, Enclosure Loop						0N008101	1	
		(Attaching Parts)								
		Screw						MS51957-29	4	
		Washer						MS15795-805	4	
-38		Gasket, Filter Enclosure						0N007874	1	
-39		Cover, Filter						0N007895	1	
		(Attaching Parts)								
		Screw						MS51957-28	4	
		Washer						MS15795-805	4	
-40	FL1-FL3	Filter, Radio Interference						0N008443-3	3	
		Enclosure Filter						0N007879	1	
		Terminal, Stud						0N008442	2	
		Nut, Plain, Plate						0N008305-1	4	
		(Attaching Parts)								
		Screw						MS51957-14	2	
		Washer						MS35338-135	2	
		Washer						MS15795-803	2	
		Washer						MS35338-57	2	
		Nut, Self-Locking						0N008531-4	4	
-42		Enclosure						0N007879-1	NP	
-43	R3	Resistor, Fixed, Wire-Wound: 100 ohms, 5pct, 3w						RW69V101	1	KWL-4A

~~CONFIDENTIAL~~

GROUP ASSEMBLY PARTS LIST

Fig. & Index No.	Reference Designation	Description						Part No.	Units Per Assy.	Usable on Code
		1	2	3	4	5	6			
19-44	R2	Resistor, Fixed, Composition: 10,000 Ohms, ±5%, 1/2w						RC20GF103J	1	KWL-4A
-45	C1	Capacitor: 0.82uf						CP08A1KC824K3	1	KWL-4A
-46	L1	Choke, Radio Frequency: 25 uh						0N008653	1	KWL-4A
-47		Clamp						0N008309-1	1	KWL-4A
-48		Clamp						0N008309-2	1	KWL-4A
		(Attaching Parts)								
-49		Screw						MS51957-13	2	KWL-4A
-50		Washer						MS35338-135	2	KWL-4A
-51		Washer						MS15795-803	2	KWL-4A
-52		Clamp, Loop-Plastic						MS25281-5	1	
		(Attaching Parts)								
		Screw						MS51957-45	1	
		Washer						MS15795-807	1	

~~CONFIDENTIAL~~

KAM-145B/TSEC

GROUP ASSEMBLY PARTS LIST

Fig. & Index No.	Reference Designation	Description	Part No.	Units Per Assy.	Usable on Code							
						1	2	3	4	5	6	7

GROUP ASSEMBLY PARTS LIST

Fig. & Index No.	Reference Designation	Description	Part No.	Units Per Assy.	Usable on Code							
						1	2	3	4	5	6	7

~~CONFIDENTIAL~~

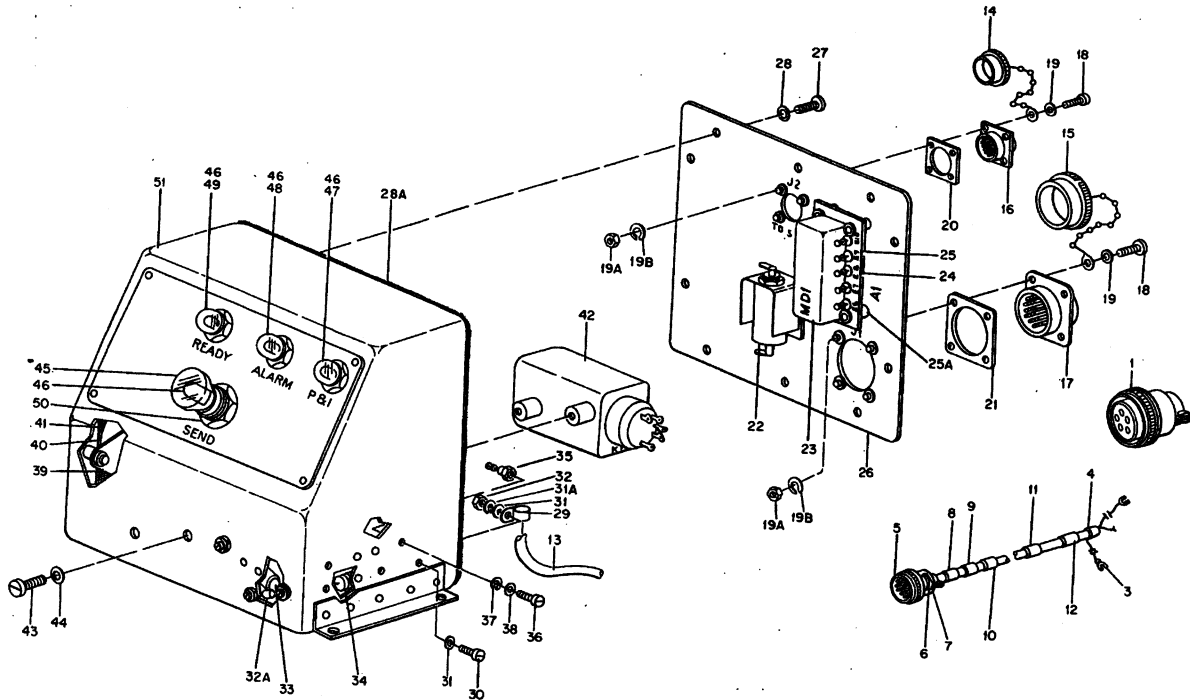


Figure 20.—Functional Remote Control Unit (KW-8)

~~CONFIDENTIAL~~

KAM-145B/TSEC

GROUP ASSEMBLY PARTS LIST

Fig. & Index No.	Reference Designation	Description	Part No.	Units Per Assy.	Usable on Code	
						1
20-	4	Control Unit, Functional Remote	0N008218-1	1		
-1	P2	Connector, Plug, Electrical	MS3116E18-32S	1		
-2	Deleted					
-2	W5	Cable Assembly, Step TD	0N008076	1		
-3		Terminal, Lug, Insulated	0N008479	3		
-4		Ferrule	MS25211-108	1	X	
		Ferrule	MS25211-180	1	Y	
-5	P1	Connector, Plug, Electrical	0N008505-5	1	X	
		Connector, Plug, Electrical	0N008505-11	1	Y	
-6		Grounding Sleeve, RF Cable Shield No. 1	0N008274	1		
-7		Grounding Sleeve, RF Cable Shield No. 2	0N008275	1		
-8		Band, Marker	0N008507-11	1		
-9		Band, Marker	0N008507-30	1		
-10		Band, Marker	0N008507-31	1		
-11		Band, Marker	0N008507-7	1	X	
		Band, Marker	0N008507-8	1	Y	
-12		Band, Marker	0N008507-12	1		
-13	W1	Wiring Harness, Branched	0N008226	1		
-14		Cap. Electrical	0N008422-3	1		
-15		Cap. Electrical	0N008422-1	1		
-16	J2	Connector, Receptacle, Electrical				
		Box Mounting	0N008417-2	1		
-17	J1	Connector, Receptacle, Electrical	MS3112E18-32P	1		
		(Attaching Parts)				
-18		Screw	MS51957-17	8		
-19		Washer	MS15795-803	8		
-19A		Nut	MS35649-244	8		
-19B		Washer	MS35338-135	8		
-20		Shielding Gasket, Electronic	0N008021	1		
-21		Shielding Gasket, Electronic	0N008023	1		
-22	FL1	Filter, Radio Interference	0N008443-3	1		
	A1	Lamp Driver Assembly	0N007861	1		
		(Attaching Parts)				
		Screw	MS51957-30	4		
		Washer	MS35338-136	4		
		Washer	MS15795-805	4		
-23	MD1	Module, Lamp Driver	0N007839	1		
-24	E1-E10	Terminal, Stud	SE12XC04	10		
-25		Board, Terminal	0N007832	NP		
-25A		Rivet, Stand-Off	0N008394-1	4		
-26		Plate, Connector	0N008221	1		
		(Attaching Parts)				
-27		Screw	MS51957-30	10		
-28		Washer	MS15795-805	10		

GROUP ASSEMBLY PARTS LIST

Fig. & Index No.	Reference Designation	Description	Part No.	Units Per Assy.	Usable on Code	
						1
20-28A		Gasket	0N008596	1	Y	
-29		Clamp	MS25281-4P	1	E	
			MS25201-5W	1	F	
-30		(Attaching Parts)				
		Screw	MS51957-30	1	E	
			MS35333-30	1	F	
-31		Washer	MS15795-805	1		
-31A		Washer	MS35338-136	1	F	
-32		Nut	0N008432-1	1	E	
			MS35649-264	1	F	
-32A	R1	Resistor, Fixed, Composition:				
		82 Ohms, 5pct, 1/2w	RC20GF820J	1	X	
		Resistor, Fixed, Composition:				
		820 Ohms, 5pct, 1/2w	RC20GF821J	1	Y	
-33	C1	Capacitor, Fixed, Paper, .1uf, 10pct, 200V	CP05A1KC104K3	1		
-34	CR1	Semiconductor Device, Diode	JAN1N540	1		
-35	E1-E5	Terminal, Stud	SE209D02	5		
		(Attaching Parts)				
-36		Screw	MS51957-12	5		
-37		Washer	MS35338-135	5		
-38		Washer	MS15795-803	5		
-39		Retainer, Earphone Element	0N007949	1		
		(Attaching Parts)				
		Screw	MS51957-49	2		
		Washer	MS15795-807	2		
		Spacer, Sleeve	0N008384	2	Y	
-40	LS1	Earphone Element, Module	0N008346	1		
-41		Screen, Wire Fabric	0N007898	1		
-42	K1	Relay, Armature	0N008367	1		
		(Attaching Parts)				
-43		Screw	MS51957-43	2		
-44		Washer	MS15795-807	2		
-45		Lens, Indicator Light	0N008399-2	1		
-46	DS1-DS4	Lamp, Incandescent, Miniature Type 345 (No Substitutes)	0N008392	4		
-47	XDS1	Light, Indicator	0N008391-3	1		
-48	XDS2	Light, Indicator	0N008391-1	1		
-49	XDS3	Light, Indicator	0N008391-2	1		
-50	S1	Light, Switch	0N008411	1		
-51		Control Box Sub-Assembly	0N008219	1		

~~CONFIDENTIAL~~

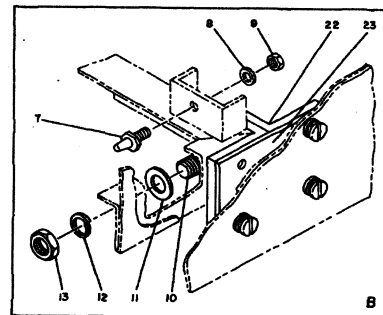
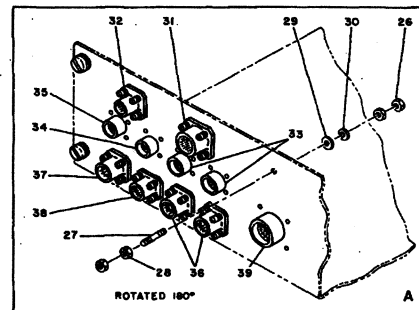
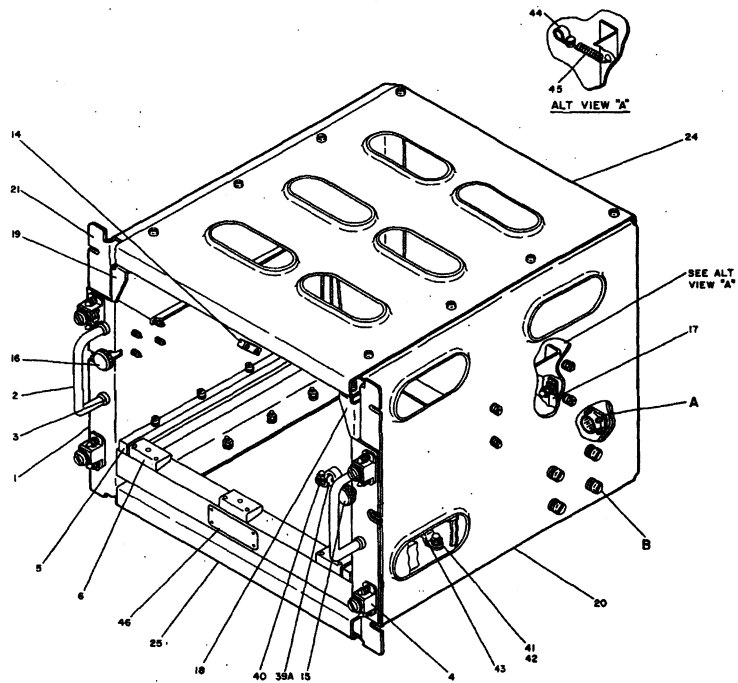


Figure 21.—Rack Mount and Shelf Mount Housing Assembly (KWF-1)

~~CONFIDENTIAL~~

GROUP ASSEMBLY PARTS LIST

Fig. & Index No.	Reference Designation	Description	Part No.	Units Per Assy.	Unable on Code	
						1
21-	W8	Housing Assembly-Rack Mount And Shelf Mount	0N008130	1		
	W9	Cable Assembly-Line In (See fig. 22)	0N008266	1		
	W10	Cable Assembly-Line Out (See fig. 22)	0N008267	1		
	W11	Cable Assembly-TD Stop (See fig. 22)	0N008282	1		
	W12	Cable Assembly-PTS (See fig. 22)	0N008261	1		
	W13	Cable Assembly-Loop Out 1 (See fig. 22)	0N008259	1		
	W14	Cable Assembly-Loop Out 2 (See fig. 22)	0N008260	1		
	W15	Cable Assembly-AC Power (See fig. 22)	0N008263	1		
	W16	Cable Assembly-DC Power (See fig. 22)	0N008264	1		
	W17	Cable Assembly-Loop In 1 (See fig. 22)	0N008257	1		
	W18	Cable Assembly-Loop In 2 (See fig. 22)	0N008258	1		
	W19	Cable Assembly-Remote (See fig. 22)	0N008265	1		
	W41	Cable Assembly-Ground (See fig. 22)	0N008268	1	Z	
	-1	W41	Cable Assembly-Remote (See fig. 22)	0N008856	1	AA
	-2		Drawer Assembly, Electrical Equipment	0N008554	1	
			Handle, Bow	0N008287	2	
			(Attaching Parts)			
			Screw	MS51960-66	4	
	-3		Ferrule	0N008466	4	
-4		Guide, Pin	0N008548	4		
		(Attaching Parts)				
		Spring, Compression	0N008564	4		
		Screw, Captive	0N008570	4		
		Screw	MS51957-46	8		
		Washer	MS35338-137	8		
		Washer	MS15795-807	8		
		Nut, Cap	MS24679-22	8		
-5		Rail, Guide	0N008349	2	Z	
		Rail, Guide, LH	0N008349-1	1	AA	
		Rail, Guide, RH	0N008349-2	1	AA	
		(Attaching Parts)				
		Screw	MS51957-32	10		
	Washer	MS35338-136	10			
	Washer	MS15795-805	10			
-6		Clamp, Retainer	0N008550	3		
		(Attaching Parts)				
		Screw, Cap	MS18095-50	3		
		Washer	MS15795-810	3		
	Washer	MS35338-136	3			
-7		Pin, Shouldered	0N008251	2		
	-8	Washer	MS15795-810	2		
-9		Nut	MS24129-4-C	2		

~~CONFIDENTIAL~~

KAM-145B/TSEC

GROUP ASSEMBLY PARTS LIST

Fig. & Index No.	Reference Designation	Description	Part No.	Units Per Assy.	Unable on Code	
						1
21-10		Pin, Alignment	0N008246	2		
		Washer	MS15795-818	2		
		Washer	MS35338-143	2		
		Nut	MS51972-5	2		
		Stop, Drawer	0N008556	2		
		(Attaching Parts)				
		Screw	MS51959-33	4		
		Washer	MS15795-805	4		
		Washer	MS35338-136	4		
		Nut	MS35699-284	4		
		Slide, Right-Hand	0N008288-2	1		
	-15		Slide, Left-Hand	0N008288-1	1	
	-16		(Attaching Parts)			
		Screw	MS51959-47	8		
		Washer	MS35338-137	8		
		Washer	MS15795-807	12		
		Nut	MS35649-284	12		
		(Attaching Parts)				
	-17		Retainer, Cable	0N008563	1	Z
		(Attaching Parts)				
	Screw	MS35249-37	1			
	Plate, Retainer	0N008571	1			
	Washer	MS35338-79	1			
	Nut, Cap	MS24679-21	1			
	(Attaching Parts)					
	Bracket, Right-Hand	0N008560-2	1			
	Bracket, Left-Hand	0N008569-1	1			
	(Attaching Parts)					
	Screw	MS51958-81	6			
	Washer	MS15795-810	6			
	Washer	MS35338-139	6			
	Nut	MS51972-1	6			
	(Attaching Parts)					
	Housing Side, Right-Hand	0N008567-1	1			
	Housing Side, Left-Hand	0N008567-2	1			
	Bracket, Support	0N008245	2			
	(Attaching Parts)					
	Screw	MS51997-95	8			
	Washer	MS35338-140	8			
	Washer	MS15795-812	8			
	(Attaching Parts)					
	Shim, Bracket Support	0N008208	2			
-23		Enclosure, Top	0N008565	1		
-24		(Attaching Parts)				
	Screw	MS51958-81	12			

~~CONFIDENTIAL~~

GROUP ASSEMBLY PARTS LIST

Fig. & Index No.	Reference Designation	Description						Part No.	Units Per Assy.	Usable on Code
		1	2	3	4	5	6			
21-24 (Cont)		Washer						MS35338-139	12	
		Washer						MS15795-810	12	
		Nut						MS51972-1	12	
-25		Enclosure, Bottom						0N008566	1	
		(Attaching Parts)								
		Screw						MS51958-81	4	
		Screw						MS24693C296	8	
		Washer						MS15795-810	12	
		Washer						MS35338-137	12	
-26		Nut						MS35650-304	2	
		Stud, Shoulder						MS9303-007	1	Z
		Nut						MS35650-304	2	
		Washer						MS33335-60	1	
		Washer						MS15795-808	1	
		Connector, Receptacle, Electrical						MS3119-16-8	1	
-31	J1	Connector, Receptacle, Electrical						MS3119-12-3	1	
		Connector, Receptacle, Electrical						MS3119-14-5V	2	
-33	J3, J4	Connector, Receptacle, Electrical						MS3119-14-5X	1	
		Connector, Receptacle, Electrical						MS3119-14-5Y	1	
-35	J6	Connector, Receptacle, Electrical						MS3119-14-5	2	
		Connector, Receptacle, Electrical						MS3119-12-3Y	1	
-36	J7, J8	Connector, Receptacle, Electrical						MS3119-14-5Z	1	
		Connector, Receptacle, Electrical						MS3119-18-32	1	
-38	J10	Connector, Receptacle, Electrical								
		(Attaching Parts)								
		Screw						MS1957-13	44	
-39	J11	Washer						MS35337-135	44	
		Washer						MS15795-803	40	
		Sleeve, Rubber						0N008863	1	AA
-39A		Strap, Retainer						0N008285	1	
		Strap, Retainer						0N008284	1	Z
-40		(Attaching Parts)								
		Screw						MS51958-43	4	
		Washer						MS35338-137	4	
		Washer						MS15795-807	4	
		Nut, Cap						MS24679-22	4	
		Strap, Retaining						0N040931	2	AA
-42		(Attaching Parts)								
		Screw						MS51959-47	3	
		Washer						MS15795-807	3	
		Washer						MS35338-137	3	
		Spacer						0N040967	3	
		Nut, Cap						MS24679-22	3	

GROUP ASSEMBLY PARTS LIST

Fig. & Index No.	Reference Designation	Description						Part No.	Units Per Assy.	Usable on Code
		1	2	3	4	5	6			
21-43	-44	Insulation Sleeve						0N040968	2	AA
		Clamp, Loop						MS25281-22	1	AA
-45		(Attaching Parts)								
		Screw						MS51957-46	1	
		Washer						MS15795-807	2	
		Washer						MS35338-137	1	
		Nut						MS35649-284	1	
		Spring, Extension						0N008609	1	AA
-46		(Attaching Parts)								
		Screw						MS51957-46	1	
		Washer						MS15795-807	3	
		Nut						MS35649-284	1	
-47		Plate, Identification						0N008555	1	
		(Attaching Parts)								
-48		Screw, Drive						MS21318-8	4	
		(Attaching Parts)								
		Bracket						0N008614	1	
-49		(Attaching Parts)								
		Screw						MS51957-28	2	
		Washer						MS15795-805	2	
		Washer						MS35338-136	2	
-50		(Attaching Parts)								
		Clamp, Loop						MS21919-DG10	1	
		(Attaching Parts)								
-51		Screw						MS51957-46	1	
		Washer						MS35338-137	1	
		Washer						MS15795-807	2	
-52		Nut						MS24679-22	1	

~~CONFIDENTIAL~~

~~CONFIDENTIAL~~

KAM-145B/TSEC

GROUP ASSEMBLY PARTS LIST

Fig. & Index No.	Reference Designation	Description							Part No.	Units Per Assy.	Usable on Code
		1	2	3	4	5	6	7			

GROUP ASSEMBLY PARTS LIST

Fig. & Index No.	Reference Designation	Description							Part No.	Units Per Assy.	Usable on Code
		1	2	3	4	5	6	7			

~~CONFIDENTIAL~~

~~CONFIDENTIAL~~

GROUP ASSEMBLY PARTS LIST

Fig. & Index No.	Reference Designation	Description	Part No.	Units Per Assy.	Usable on Code
22-	W8	Cable Assembly-Line In	0N008266	1	
-1		Clamp, Electrical	0N00474-4	1	
-2	P1	Connector, Plug, Electrical	MS3116E-12-3P	1	
-3		Band, Marker	0N008507-38	1	
-4		Band, Marker	0N008507-91	1	
	W9	Cable Assembly-Line Out	0N008267	1	
-5		Clamp, Electrical	0N00474-5	1	
-6	P1	Connector, Plug, Electrical	MS3116E-16-8P	1	
-7		Band, Marker	0N008507-41	1	
-8		Band, Marker	0N008507-92	1	
-9A		Grommet	0N008136-2	1	
	W10	Cable Assembly-TD Strip	0N008262	1	
-10		Clamp, Electrical	0N00474-3	1	Z
-10	P2	Connector, Plug, Electrical	MS3116E-14-5SY	1	AA
-11		Connector, Plug, Electrical	0N008505-19	1	AA
-12	P1	Connector, Plug, Electrical	0N008505-5	1	Z
-13		Connector, Plug, Electrical	0N008505-11	1	AA
-14		Band, Marker	0N008507-44	1	
-14A		Band, Marker	0N008507-93	1	
		Band, Marker	0N008507-45	1	
	W11	Grommet	0N008136-1	1	
-15		Cable Assembly-PTS	0N008261	1	
-16		Clamp, Electrical	0N00474-3	1	
-17	P2	Connector, Plug, Electrical	MS3116E-14-8SX	1	Z
		Connector, Plug, Electrical	0N008505-20	1	AA
-18	P1	Connector, Plug, Electrical	0N008505-6	1	Z
-19		Connector, Plug, Electrical	0N008505-12	1	AA
-20		Band, Marker	0N008507-48	1	
-20A		Band, Marker	0N008507-94	1	
		Band, Marker	0N008507-49	1	
-21	W12	Grommet	0N008259	1	
-22		Cable Assembly-Loop Out 1	0N008259	1	
		Clamp, Electrical	0N00474-3	1	Z
-23	P2	Connector, Plug, Electrical	MS3116E-14-5W	1	Z
		Connector, Plug, Electrical	0N008505-18	1	AA
-24	P1	Connector, Plug, Electrical	0N008505-4	1	Z
-25		Connector, Plug, Electrical	0N008505-2	1	AA
-26		Band, Marker	0N008507-52	1	
		Band, Marker	0N008507-95	1	
-27		Band, Marker	0N008507-53	1	
	W13	Grommet	0N008136-1	1	
-28		Cable Assembly-Loop Out 2	0N008260	1	
		Clamp, Electrical	0N00474-3	1	Z
-29	P2	Connector, Plug, Electrical	MS3116E-14-5W	1	Z
		Connector, Plug, Electrical	0N008505-2	1	AA
	P1	Connector, Plug, Electrical	0N008505-3	1	Z

GROUP ASSEMBLY PARTS LIST

Fig. & Index No.	Reference Designation	Description	Part No.	Units Per Assy.	Usable on Code
22-29	(Cont'd)	Connector, Plug, Electrical	0N008505-2	1	AA
-30		Band, Marker	0N008507-56	1	
-31		Band, Marker	0N008507-96	1	
-32		Band, Marker	0N008507-57	1	
-32A		Grommet	0N008136-1	1	
	W14	Cable Assembly-AC Power	0N008263	1	
-33		Clamp, Electrical	0N00474-3	1	
-34	P2	Connector, Plug, Electrical	MS3116E-14-5PZ	1	
-35		Clamp, Electrical	0N00474-2	1	
-36	P1	Connector, Plug, Electrical	MS3116E-8-4S	1	
-37		Band, Marker	0N008507-60	1	
-38		Grommet	0N008136-1	1	
-39		Band, Marker	0N008507-97	1	
-40		Band, Marker	0N008507-61	1	
	W15	Cable Assembly-DC Power	0N008264	1	
-41		Clamp, Electrical	0N00474-4	1	
-42	P2	Connector, Plug, Electrical	MS3116E-12-3PY	1	
-43		Clamp, Electrical	0N00474-2	1	
-44	P1	Connector, Plug, Electrical	MS3116E-8-4SW	1	
-45		Band, Marker	0N008507-64	1	
-46		Band, Marker	0N008507-98	1	
-47		Band, Marker	0N008507-65	1	
-47A		Grommet	0N008136-1	1	
	W16	Cable Assembly-Loop In 1	0N008257	1	
-48		Clamp, Electrical	0N00474-3	1	
-49	P2	Connector, Plug, Electrical	MS3116E-14-5P	1	Z
		Connector, Plug, Electrical	0N008505-21	1	AA
-50	P1	Connector, Plug, Electrical	0N008505-4	1	Z
		Connector, Plug, Electrical	0N008505-1	1	AA
-51		Band, Marker	0N008507-68	1	
-52		Band, Marker	0N008507-99	1	
-53		Band, Marker	0N008507-69	1	
-53A		Grommet	0N008136-1	1	
	W17	Cable Assembly-Loop In 2	0N008258	1	
-54		Clamp, Electrical	0N00474-3	1	
-55	P2	Connector, Plug, Electrical	MS3116E-14-5P	1	Z
		Connector, Plug, Electrical	0N008505-21	1	AA
-56	P1	Connector, Plug, Electrical	0N008505-4	1	Z
		Connector, Plug, Electrical	0N008505-3	1	AA
-57		Band, Marker	0N008507-72	1	
-58		Band, Marker	0N008507-100	1	
-59		Band, Marker	0N008507-73	1	
-59A		Grommet	0N008136-1	1	
	W18	Cable Assembly - Remote	0N008265	1	Z
	W41	Cable Assembly - Remote	0N008856	1	AA

~~CONFIDENTIAL~~

~~CONFIDENTIAL~~

KAM-145B/TSEC

GROUP ASSEMBLY PARTS LIST

Fig. & Index No.	Reference Designation	Description							Part No.	Units Per Assy.	Usable on Code
		1	2	3	4	5	6	7			

GROUP ASSEMBLY PARTS LIST

Fig. & Index No.	Reference Designation	Description							Part No.	Units Per Assy.	Usable on Code
		1	2	3	4	5	6	7			

~~CONFIDENTIAL~~

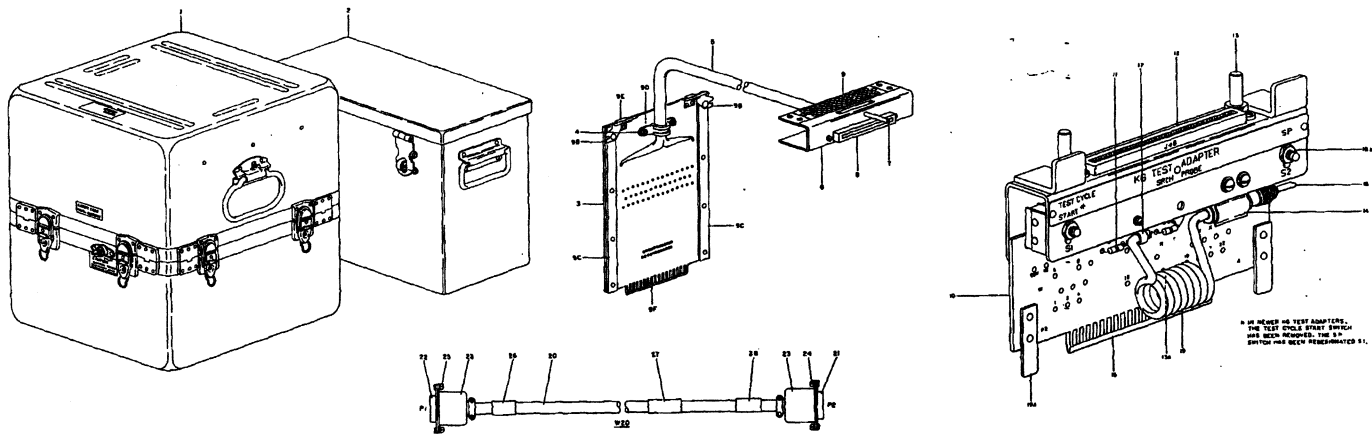


Figure 23.—Special Handling Equipment

~~CONFIDENTIAL~~

GROUP ASSEMBLY PARTS LIST

Fig. & Index No.	Reference Designation	Description	Part No.	Units Per Assy.	Usable on Code	
						1
23-	-1	Special Handling Equipment	No Number	1		
		Case: (Reusable Carrying Case for KW-7)	0N008602	1		
-2	-3	Case: (Reusable Carrying case for KW-7 MOD A)	0N008602-3	1		
		Bos. Spare Parts	0N008175	1		
-4		Card, Extender	0N008070-1	1		
		Clamp, Cable	0N008970-2	1		
-5	W1	(Attaching Parts)		2		
		Screw	MS1957-45	4		
		Washer	MS15795-807	4		
		Washer	MS3338-137	4		
		Nut	MS35649-84	4		
		Wiring Harness	0N008527	1		
		Bracket, Connector	0N008518	1		
		Pin, Straight Threaded	0N008169	1		
		(Attaching Parts)		1		
		Washer	MS3338-135	1		
Washer	MS15795-804	1				
Nut	MS35649-44	1				
-7A	C1	Capacitor, Fixed, Electrolytic: 0.56 μ f, 10pct. 35V	CS13BF364K	1		
-8	J1	Receptacle, Connector	0N008463	1		
		(Attaching Parts)		2		
-8		Screw	MS1957-31	2		
		Washer	MS15795-806	2		
-9		Washer	MS3338-136	2		
		Nut	MS35649-64	2		
-9A	-9B	Plate, Connector	0N008517	1		
		(Attaching Parts)		4		
-9C		Screw	MS24693-C4	4		
		Washer	MS15795-804	4		
-9A	-9B	Washer	MS3338-135	4		
		Nut	MS35649-44	4		
-9A	-9B	Lever	0N007859-1	1		
		Lever	0N007859-2	1		
-9C		(Attaching Parts)		1		
		Rivet	0N007831	2		
-9A	-9B	Spacer, Lever	0N007849	2		
		Washer, Flat	MS15795-802	2		
-9C		(Attaching Parts)		2		
		Strip, Fastener	0N008172	2		

*0N008070-1 includes ADAPTER, KC TEST, 0N008520; however, 0N008070-2 does not include 0N008520.

~~CONFIDENTIAL~~

KAM-145B/TSEC

GROUP ASSEMBLY PARTS LIST

Fig. & Index No.	Reference Designation	Description	Part No.	Units Per Assy.	Usable on Code	
						1
23-9C	J2-J45	(Attaching Parts)		8		
		Rivet	MS16535-79	8		
-8D	-9E	Jack, Tip	0N008307	44		
		Angle, Lever Stop	0N008516	2		
-9F	-10	Printed Wiring Board	0N008537	NP		
		Adapter, KC Test	0N008520	1		
-11	C.R1, CR2	Semiconductor Device, Diode	0N008344	2		
		Receptacle, Connector	0N008463	1		
-12	J48	(Attaching Parts)		2		
		Screw	MS1957-31	2		
		Washer	MS15795-805	2		
		Washer	MS3338-136	2		
		Nut	MS35649-64	2		
		Pin, Hex, Threaded	0N008514	2		
		(Attaching Parts)		2		
		Washer	MS15795-803	2		
		Washer	MS3538-135	2		
		Nut	MS35649-44	2		
-13A	P3	Terminal, Stud	0N008803	1		
		Retainer, Cable	0N008545	1		
-14		(Attaching Parts)		2		
		Screw	MS1957-14	2		
-15	S1, S2	Washer	MS15795-804	2		
		Washer	MS3338-135	2		
-16	-17	Nut	MS35649-44	2		
		Board, Printed Wiring	0N008541	NP		
-18	-19A	Switch, Push	0N008542	2		
		Clamp, Cable	0N008618	1		
-19	-20	(Attaching Parts)		1		
		Screw	MS1957-45	1		
-21	W20	Washer, Lock	MS15795-807	1		
		Washer	MS3538-137	2		
-22	P1	Nut	MS35649-84	1		
		Plug, Tip	0N008311	1		
-20	P2	Cord, Retractable	0N008530	1		
		Plate, Aligning	0N008519	2		
-21	P1	(Attaching Parts)		4		
		Rivet, Solid	MS20470A3-4	4		
-22	P1	Cable, Special Purpose: (Power Supply Extender Cable)	0N008155	1		
		Connector, Plug, Electrical	0N008353-2	1		
-22	P1	Connector, Plug, Electrical	0N008353-1	1		

~~CONFIDENTIAL~~

KAM-145B/TSEC

GROUP ASSEMBLY PARTS LIST

Fig. & Index No.	Reference Designation	Description	Part No.	Units Per Assy.	Usable on Code							
						1	2	3	4	5	6	7

GROUP ASSEMBLY PARTS LIST

Fig. & Index No.	Reference Designation	Description	Part No.	Units Per Assy.	Usable on Code							
						1	2	3	4	5	6	7

~~CONFIDENTIAL~~

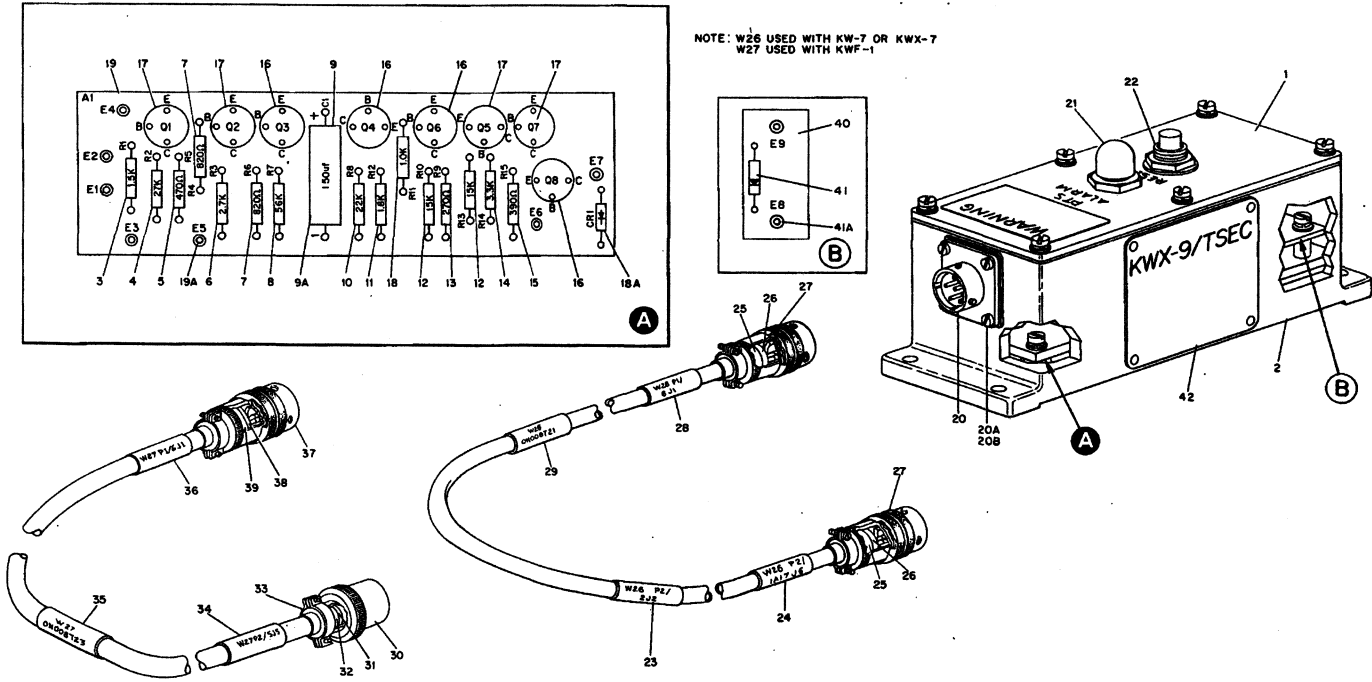


Figure 24.—Plain Text Safety Unit (KWX-9)

CONFIDENTIAL

KAM-145B/TSEC

GROUP ASSEMBLY PARTS LIST

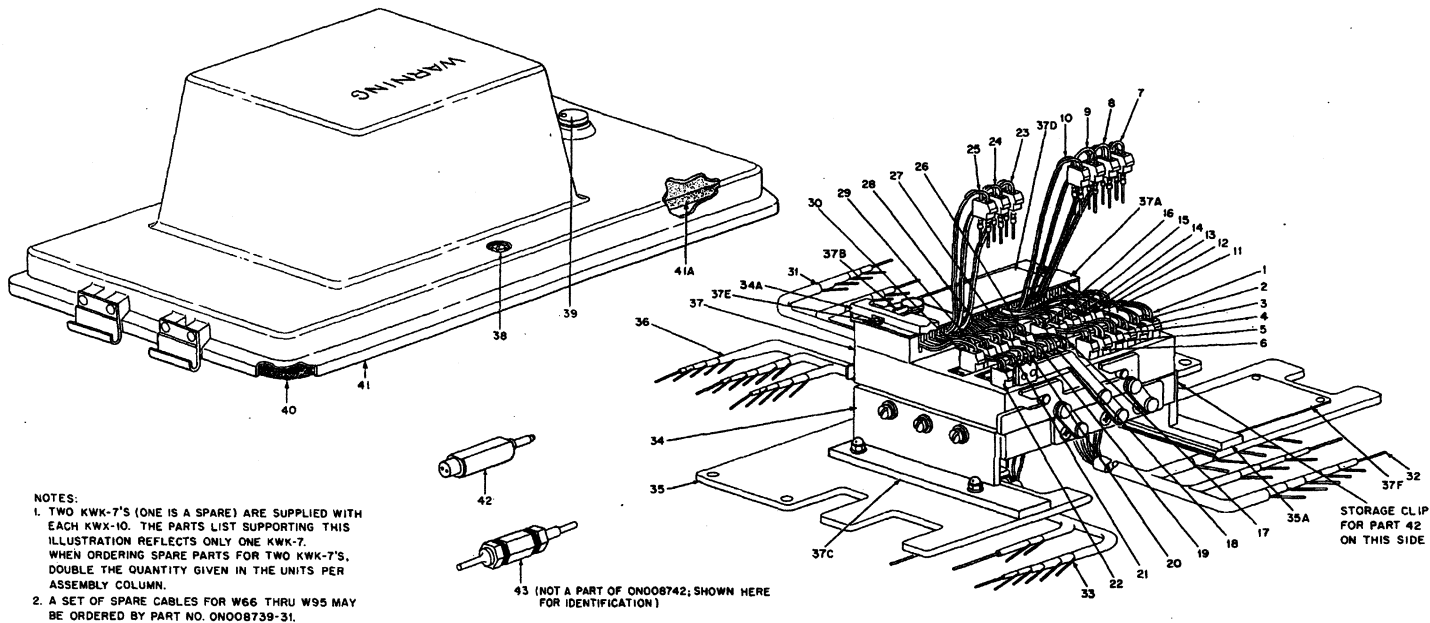
Fig. & Index No.	Reference Designation	Description	Part No.	Units Per Assy.	Usable on Code	Fig. & Index No.	Reference Designation	Description	Part No.	Units Per Assy.	Usable on Code				
												1	2	3	4
24-	6	Plain Text Safety Unit	0N008717-1	1	R	24-20		Washer	MS35337-78	3					
		Plain Text Safety Unit	0N008717-2	1	R			Washer	MS15795-803	1					
-1		Plain Text Safety Unit	0N008717-3	1	R	E1		Nut	MS35849-44	4					
		Plain Text Safety Unit	0N008717-4	1	S			Terminal, Lug	MS29036-48	1					
		Cover, Top	0N008719	1				Screw (Used to attach E1)	MS51957-18	1					
		(Attaching Parts)						Screw	MS51957-17	3					
-2	A1	Screw	MS51957-15	6		-20A		Washer	MS35338-135	3					
		Washer	MS35338-135	6				-20B		Washer (Used to attach E1)	MS35338-135	3			
		Washer	MS15795-803	6								Washer	MS35335-57	1	
		(Attaching Parts)													
Housing	0N008718	1		-21	XDS1 DS1	Light, Indicator	0N008391-1			1					
Printed Wiring Assembly	0N008716-1	1	R			Lamp, Incandescent, Miniature, Type 345 (No Substitutes)	0N008392	1							
Printed Wiring Assembly	0N008716-2	1	S			-22	S1 W26	Switch, Push	0N008419-2	1					
(Attaching Parts)								Cable Assembly, PTS	0N008721	1					
Screw	MS51957-15	4		Band, Marker	0N008507-114			1							
Washer	MS35338-135	4		Band, Marker	0N008507-113			1							
-3	R1	Resistor	RC20GF182J	1		-23		Grounding Sleeve No. 2	0N008275	2					
		Resistor	RC20GF273J	1				-24		Grounding Sleeve No. 1	0N008274	2			
-4	R2	Resistor	RC20GF273J	1		-25				Connector, Plug, Electrical	0N008505-12	2			
		Resistor	RC20GF471J	1				-26	PI, P2	Band, Marker	0N008507-115	1			
-5	R5	Resistor	RC20GF272J	1		-27				Band, Marker	0N008507-118	1			
		Resistor	RC20GF821J	2				-28	W27	Cable Assembly, PTS	0N008723	1	**		
-6	R4, R6	Resistor	RC20GF821J	2		-29				Connector, Plug, Electrical	MS3116E-14-6PX	1			
		Resistor	RC20GF363J	1				-30	P2	Grounding Sleeve No. 3	0N007940	1			
-7	R7	Resistor	CS13HD157K	1		-31				Grounding Sleeve No. 4	0N007954	1			
		Capacitor	CS13HD157K	1				-32		Clamp, Electrical	0N008474-3	1			
-8	C1	Clip, Spring Tension	0N008406-2	1		-33				Band, Marker	0N008507-116	1			
		Resistor	RC20GF223J	1				-34		Band, Marker	0N008507-119	1			
-9A	R8	Resistor	RC20GF182J	1		-35				Band, Marker	0N008507-117	1			
		Resistor	RC20GF153J	2				-36	P1	Connector, Plug, Electrical	0N008505-6	1			
-10	R12	Resistor	RC20GF271J	1		-37				Grounding Sleeve No. 1	0N008274	1			
		Resistor	RC20GF332J	1				-38		Grounding Sleeve No. 2	0N008275	1			
-11	R10, R13	Resistor	RC20GF332J	1		-39				Component Board	0N008780	1	R		
		Resistor	RC20GF391J	1				-40	A2	(Attaching Parts)					
-12	R9	Resistor	JAN2N706	4		-41	CR1			Stand-Off	0N008861	2	R		
		Transistor	JAN2N706	4				-42	E8, E9	Washer, Flat	MS15795-803	2	R		
-13	R14	Insulator, Disc	0N008663	4		-41A				Washer, Lock	MS35338-135	2	R		
		Transistor	0N008341	4				-42		Screw	MS51957-15	2	R		
-14	Q3, Q4, Q6, Q8	Insulator, Disc	0N008404	4		-41	CR1			Semiconductor Device, Diode	0N008344	1	***		
		Resistor	RC20GF102J	1				-41A	E8, E9	Terminal, Stud	0N008408-3	2			
-15	R11	Semiconductor Device, Diode	0N008344	1	S***	-42				Plate, Identification	0N008756	1			
		Resistor	RC20GF102J	1				(Attaching Parts)							
-16	CR1	Printed Wiring Board	0N008715	1		-41A		Screw, Drive	MS21318-8	4					
		Terminal, Stud	SE12X C05	7											
-17	E1-E7	Connector, Receptacle Electrical	0N008417-3	1											
		Shielding Gasket	0N008021	1											
-18A	J1	(Attaching Parts)													

*Supplied with 0N008717-3 and 0N008717-4.

**Supplied with 0N008717-3.

***KWX-9 units 1 through 1500 have 0N008780 A2 assemblies with CR1 (0N008344) mounted on it. KWX-9 units 1501 and above eliminated the A2 assembly and mounted CR1 on the A1 assembly.

CONFIDENTIAL



- NOTES:
1. TWO KW-7'S (ONE IS A SPARE) ARE SUPPLIED WITH EACH KW-10. THE PARTS LIST SUPPORTING THIS ILLUSTRATION REFLECTS ONLY ONE KW-7. WHEN ORDERING SPARE PARTS FOR TWO KW-7'S, DOUBLE THE QUANTITY GIVEN IN THE UNITS PER ASSEMBLY COLUMN.
 2. A SET OF SPARE CABLES FOR W66 THRU W95 MAY BE ORDERED BY PART NO. ONO08739-31.

43 (NOT A PART OF ONO08742; SHOWN HERE FOR IDENTIFICATION)

Figure 25.—Permuter Adapter Unit (KW-10)

~~CONFIDENTIAL~~

KAM-145B/TSEC

GROUP ASSEMBLY PARTS LIST

Fig. & Index No.	Reference Designation	Description	Part No.	Units Per Assy.	Usable on Code
25-	7	Permuter Adapter Unit, KWX-10	0N008742-1	1	
-1 through -30	W66 through W95	Cable Assembly (For replacement order 0N008739-31)	0N008742-2***	30	
		Plate Designation (Set of stick-on decals serially numbered 1 through 30)	0N008836	30	
-31	W63	Wiring Harness	0N008798	1	
		Cable Assembly (Replaces any single cable within W63)	0N008884	AR	
		Cable Plug Labels	0N008282	AR	
-32	W65	Wiring Harness	0N008800	1	
		Cable Assembly (Replaces any single cable within W65)	0N008885	AR	
-33	W64	Wiring Harness	0N008799	1	
		Cable Assembly (Replaces any single cable within W64)	0N008885	AR	
-34	A2	Receptacle Assembly (Attaching Parts)	0N008745	1	
		Screw	MS1597-28	6	
		Washer	MS35338-136	6	
		Washer	MS15795-806	6	
-34A		Locking Device (Attaching Parts)	0N008865	1	
		Screw	MS1597-14	4	
		Spacer	0N040919-1	2	
		Spacer	0N040919-2	2	
		Connector, Receptacle, Electrical	0N008882	1	
		Contact Guide	0N008842	61	
		Clip, Retaining	0N008859	122	
-35		Plate, Mounting	0N008744	1	
-35A		Bracket, Angle, Mounting (Attaching Parts)	0N008873	1	
		Cap Nut	0N008484-2	2	
		Washer	MS15795-806	2	
-36	W62	Wiring Harness	0N008797	1	
		Cable Assembly (Replaces any single cable within W62)	0N008884	AR	

*Before installing a KWX-10 on an early KW-7 (serial no. 1-4545), the new type shielding gasket (0N008673-1) must be removed from the KWX-10 cover and replaced with shielding gasket (0N008673-2). This old type gasket is not supplied with the KWX-10 and must be ordered separately. Refer to KAM-143B/TSEC for installation instructions when replacing the shielding gasket.

GROUP ASSEMBLY PARTS LIST

Fig. & Index No.	Reference Designation	Description	Part No.	Units Per Assy.	Usable on Code
25-37	A1	Plug Programming Permuter Block (KWK-7)	0N008748	1	
		Block, Connector	0N008883	1	
		Retaining Clip	0N008859	61	
		Roller, Pin (Attaching Parts)	0N008877	4	
		Pin, Threaded	0N008874	4	
-37A		Cover, Permuter Plug (Attaching Parts)	0N008841**	1	
		Screw	MS15967-12	2	
		Washer	MS35338-136	2	
		Washer	MS15795-806	2	
-37B		Latch, Retaining (Attaching Parts)	0N008838**	2	
		Washer, Spring	0N008832**	2	
		Screw, Shoulder	0N008831**	2	
-37C		Angle, Mounting (Attaching Parts)	0N008873	1	
		Washer	MS15795-806	2	
		Nut	0N008484-2	2	
-37D		Plate, Identification	0N008793	1	
-37E	***	Clip, Cover, Retaining, Left	0N040923-1	1	
		Clip, Cover, Retaining, Right	0N040923-2	1	
-37F		Plate Identification (Attaching Parts)	0N008789	1	
		Screw	MS21318-13	4	
-38		Front Cover Assembly	0N008726-2***	1	
		Stud Assembly (Attaching Parts)	0N008402	2	
		Ring, Retaining	0N008403	2	
-39		Lock, Rim (Attaching Parts)	0N008388	1	
		Washer	MS35333-47	1	
-40		Shielding Gasket*	0N008673-1	AR	
-41		Front Cover	0N008727	NP	

**Parts 0N008841, 0N008838, 0N008832 and 0N008831 can be ordered as a Cover Assembly 0N0047416.

***Contains all parts in 0N008742-1 plus a 0N008726-2 Front Cover and 3 0N008156-2 Spacers. Normally used when modifying a KW-7 to install a KWX-10.

****0N040923 COVER RETAINING CLIPS may be used when the threaded inserts for the screws that attach the PERMUTER PLUG COVER have been damaged.

~~CONFIDENTIAL~~

~~CONFIDENTIAL~~

GROUP ASSEMBLY PARTS LIST

Fig. & Index No.	Reference Designation	Description	Part No.	Units Per Assy.	Usable on Code	
						1
25-41A		.. Pad, Cushioning	0N008729	2		
		(Attaching Parts)				
-42		.. Adhesive	0N008281	AR		
		.. Removal Tool, Electrical Contact (Operator Tool)	0N008743	1		
-43		.. Expander, Tire	0N008811	1		
		.. Spring, Helical Compression	0N008812	1		
		.. Block, Cage	0N008813	1		
		.. Pin, Ejector	0N008814	1		
		.. Handle	0N008817	1		
		.. Pin, Extractor (Maintenance Tool)	0N008820	1		
		.. Extractor, Extension Spring	0N008819	1		
		.. Handle, Ejector Tool	0N008818	1		
		.. Spring, Helical Compression	0N008812	1		
		.. Pin, Ejector	0N008815	1		
		.. Expander, Tire	0N008816	1		

GROUP ASSEMBLY PARTS LIST

Fig. & Index No.	Reference Designation	Description	Part No.	Units Per Assy.	Usable on Code	
						1

~~CONFIDENTIAL~~

~~CONFIDENTIAL~~

KAM-145B/TSEC

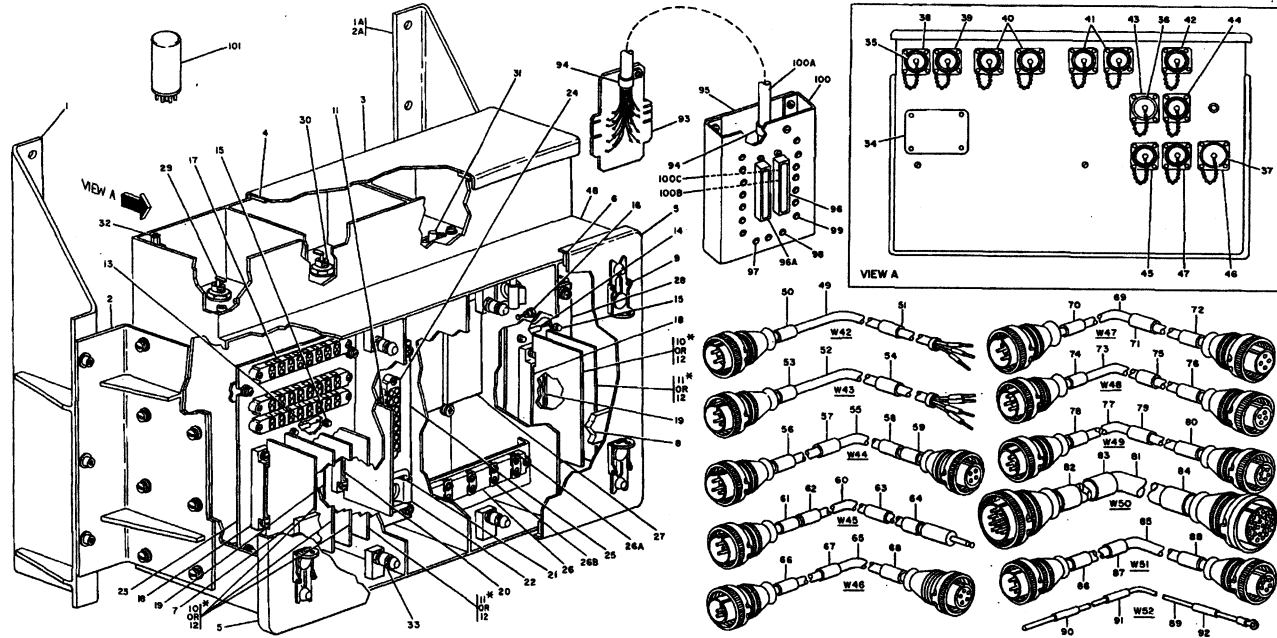
GROUP ASSEMBLY PARTS LIST

Fig. & Index No.	Reference Designation	Description	Part No.	Units Per Assy.	Usable on Code							
						1	2	3	4	5	6	7

GROUP ASSEMBLY PARTS LIST

Fig. & Index No.	Reference Designation	Description	Part No.	Units Per Assy.	Usable on Code							
						1	2	3	4	5	6	7

~~CONFIDENTIAL~~



* INDEX NO.10 (E-BLR ASSY) AND INDEX NO.11 (E-BLS ASSY) ARE USED FOR LOW LEVEL OPERATION.
 INDEX NO.12 (E-BLT ASSY) IS USED FOR NORMAL OPERATION.

Figure 26.—Fixed Plant Adapter Unit (KWX-11)

~~CONFIDENTIAL~~

KAM-145B/TSEC

GROUP ASSEMBLY PARTS LIST

Fig. & Index No.	Reference Designation	Description	Part No.	Units Per Assy.	Usable on Code				
						1	2	3	4
26- -1 -1A	8	Fixed Plant Adapter Unit-KWX-11	0N008900	1					
		Bracket, Slide Mounting, LH	0N008931-2	1					
		Bracket, Slide Mounting, RH	0N008931-1	1					
		(Attaching Parts)							
		Screw	MS51958-64	6					
		Washer	MS35338-138	6					
		Washer	MS15795-808	6					
		Nut	MS35650-304	6					
		Bracket, Rack/Table Mounting, LH	0N008930-2	1					
		Bracket, Rack/Table Mounting, RH	0N008930-1	1					
		(Attaching Parts)							
		Screw	MS51958-81	16					
		Washer	MS35338-139	16					
		Washer	MS15795-810	16					
		-2 -2A	8	Cover, Top	0N008940	1			
(Attaching Parts)									
Screw	MS51958-61			8					
Washer	MS35338-139			8					
Washer	MS15795-808			8					
Gasket	0N008932-1			1					
Cover, Rear	0N008942			1					
Gasket	0N008941			1					
Pad, Rubber	0N008958-1			1					
Pad, Rubber	0N008958-2			2					
Fastener, Snapslide	MS21332-1			8					
-3	A1-A3, A6			Printed Wiring Assembly-TD Step Continuous, E-BLR (See fig. 27)	0N008924	AR			
				Printed Wiring Assembly-Line In-Loop In, E-BLS (See fig. 28)	0N008927	AR			
				Printed Wiring Assembly-By-Pass, E-BLT	0N008926	AR			
				Resistor, Fixed, Composition: 1K, 5pct, 1/2w	RC20GF102J	1			
		Resistor, Fixed, Composition: 56 Ohms, 5pct, 1/2w	RC20GF360J	1					
		Terminal, Stud	SE205D01	4					
		(Attaching Parts)							
		Screw	MS51957-14	4					
		Washer	MS35338-135	4					
		Washer	MS15795-803	4					
		-4 -5 -6 -7 -8 -9 -10	A4, A5, A7	Terminal, Stud	0N008442	17			
				(Attaching Parts)					
				Screw	MS51957-14	17			
				Washer	MS35338-135	17			
				Washer	MS15795-803	17			
-11 -12 -13 -14 -15	A1-A4, A6, A7			Terminal, Stud	0N008442	17			
				(Attaching Parts)					
				Screw	MS51957-14	17			
				Washer	MS35338-135	17			
				Washer	MS15795-803	17			
				-16	E2-E6, E9-E13, E16-E20, E23, E24	Terminal, Stud	0N008442	17	
						(Attaching Parts)			
						Screw	MS51957-14	17	
						Washer	MS35338-135	17	

GROUP ASSEMBLY PARTS LIST

Fig. & Index No.	Reference Designation	Description	Part No.	Units Per Assy.	Usable on Code	
						1
26-16		Washer	MS15795-803	17		
		Washer	MS35335-57	17		
-17	TB4-TH6	Terminal Board	0N008925-2	3		
		(Attaching Parts)				
		Screw	MS35275-206	6		
		Washer	MS15798-802	6		
		Washer	MS35338-134	6		
		Nut	MS35649-224	6		
-18	XA1-XA3, XA6	Connector, Receptacle, Electrical	0N008935-1*	4		
		(Attaching Parts)				
		Screw	MS51957-18	8		
		Washer	MS35338-135	8		
		Washer	MS15795-803	8		
		Nut	MS35649-244	8		
-19	XA4, XA7	Connector, Receptacle, Electrical	0N008935-2*	2		
		(Attaching Parts)				
		Screw	MS51957-18	4		
		Washer	MS35338-136	4		
		Washer	MS15795-803	4		
		Nut	MS35649-244	4		
-20	XA5	Connector, Receptacle, Electrical	0N008935-3*	1		
		(Attaching Parts)				
		Screw	MS51957-18	2		
		Washer	MS35338-135	2		
		Washer	MS15795-803	2		
		Nut	MS35649-244	2		
-21 -22		Strap, Retaining, Clip	0N008965-2	10		
		Strap, Retaining, Cradle	0N008965-1	10		
		(Attaching Parts)				
		Screw	MS51957-30	12		
		Washer	MS35338-136	12		
		Washer	MS15795-805	24		
-23		Nut	MS35649-264	12		
		(Attaching Parts)				
		Plate, Mounting, Connector	0N008953	1		
		(Attaching Parts)				
		Screw	MS51957-30	4		
		Nut, Clip-On	MS15795-805	4		
		0N008967	4			

*Use Polarizing Key 0N008933-1 for spare parts procurement.

~~CONFIDENTIAL~~

~~CONFIDENTIAL~~

GROUP ASSEMBLY PARTS LIST

Fig. & Index No.	Reference Designation	Description	Part No.	Units Per Assy.	Usable on Code	
						1
26-24	TB1, TB3	Terminal Board	0N008925-1	2		
		(Attaching Parts)				
		Screw	MS35275-206	4		
		Washer	MS15795-802	4		
		Washer	MS38338-134	4		
-25		Nut	MS35649-224	4		
		Plate, Mounting	0N008952	1		
		(Attaching Parts)				
		Screw	MS51957-30	4		
		Washer	MS15795-805	4		
-26	TB2	Nut, Clip-On	0N008967	4		
		Terminal Board	3RTB5	1		
		(Attaching Parts)				
		Screw	MS11967-32	4		
		Washer	MS15795-805	4		
-26A		Terminal Plate and Terminal	0N008971-1	5		
		Terminal Plate and Terminal	0N008971-2	5		
-26B		Lug, Terminal	MS35431-4	3		
-27	FL6, FL7	Filter, Radio Interference	0N008443-5	2		
		(Attaching Parts)				
		Screw	MS51957-14	8		
		Washer	MS15795-803	8		
		Plate, Mounting	0N008951	1		
-28		(Attaching Parts)				
		Screw	MS51957-30	4		
		Washer	MS15795-805	4		
		Nut, Clip-On	0N008967	4		
		-29	FL1-FL5, FL8 C1	Filter, Radio Interference	0N008443-3	6
Capacitor, Fixed, Paper: 0.001 μ f, 5pct, 100V	0N008969			1		
Terminal Strip, GRD	0N008959			1		
(Attaching Parts)						
Screw	MS51967-14			3		
-30		Washer	MS38338-135	3		
		Washer	MS15795-803	3		
		Stud, Shouldered	0N008970	8		
		(Attaching Parts)				
		Nut	MS35650-304	8		
-31		Stud, Fastener	0N008949	8		

GROUP ASSEMBLY PARTS LIST

Fig. & Index No.	Reference Designation	Description	Part No.	Units Per Assy.	Usable on Code	
						1
26-33		(Attaching Parts)				
		Nut	MS35650-304	16		
		Washer	MS38338-138	16		
		Washer	MS15795-808	16		
		Plate, Identification	0N008950	1		
-34		(Attaching Parts)				
		Rivet, Blind	0N008636-2	4		
		Cover, Electrical, Connector	MS25041-14C	10		
		Cover, Electrical, Connector	MS25043-16C	1		
		Cap, Electrical	0N008422-1	1		
J1		Connector, Receptacle, Electrical	MS3102R-14S-7S	1		
		Connector, Receptacle, Electrical	MS3102R-14S-2S	1		
		Connector, Receptacle, Electrical	MS3102R-14S-25W	2		
		Connector, Receptacle, Electrical	MS3102R-14S-7S	2		
		Connector, Receptacle, Electrical	MS3102R-14S-1P	1		
J2		Connector, Receptacle, Electrical	MS3102R-14S-2PX	1		
		Connector, Receptacle, Electrical	MS3102R-14S-6P	1		
		Connector, Receptacle, Electrical	MS3110E-18-12P	1		
		Connector, Receptacle, Electrical	MS3102R-14S-5PX	1		
		(Attaching Parts for 12 Connectors)				
J3, J4		Screw	MS51957-16	48		
		Washer	MS35335-57	48		
		Washer	MS15795-803	48		
		Nut	MS35649-244	48		
		Enclosure, Electrical	0N008910	1		
W42		Cable Assembly, Line-In (W42)	0N008912	1		
		Band, Marker (W42, P1/8J1)	0N008607-190	1		
		Band, Marker (W42, 0N008912)	0N008507-214	1		
		Cable Assembly, Line-Out	0N008913	1		
		Band, Marker (W43, P1/8J2)	0N008607-191	1		
W43		Band, Marker (W43, 0N008913)	0N008507-215	1		
		Cable Assembly, AC Power	0N008914	2		
		Band, Marker (W44, P1/A17J1)	0N008507-192	1		
		Band, Marker (W44, 0N008914)	0N008507-216	1		
		Band, Marker (W44, P2/8J3)	0N008507-193	1		
W44		Band, Marker (W44, P2/8J4)	0N008507-194	1		
		Cable Assembly, Ext. Timing	0N008915	2		
		Band, Marker (W45, P2/8J5)	0N008507-206	1		
		Band, Marker (W45, P2/8J6)	0N008507-207	1		
		Band, Marker (W45, 0N008915)	0N008507-222	1		
W45		Band, Marker (W45, 1J2)	0N008507-209	1		
		Cable Assembly, Loop-In 1	0N008916	1		
		Band, Marker (W46, P1/A17J3)	0N008507-195	1		
		Band, Marker (W46, P1/A17J3)	0N008507-195	1		
		Band, Marker (W46, P1/A17J3)	0N008507-195	1		

~~CONFIDENTIAL~~

~~CONFIDENTIAL~~

KAM-145B/TSEC

GROUP ASSEMBLY PARTS LIST

Fig. & Index No.	Reference Designation	Description	Part No.	Units Per Assy.	Usable on Code	
						1
36-67	W47	Band, Marker (W46, 0N008916)	0N008507-217	1		
68		Band, Marker (W46, 8J7)	0N008507-196	1		
69		Cable Assembly, TD Step	0N008917	1		
70	W48	Band, Marker (W47, P1/A1A145)	0N008507-197	1		
71		Band, Marker (W47, 0N008917)	0N008507-218	1		
72		Band, Marker (W47, P2/8A8)	0N008507-198	1		
73	W49	Cable Assembly, Loop-Out 1	0N008918	1		
74		Band, Marker (W48, P1/A17J7)	0N008507-199	1		
75		Band, Marker (W48, 0N008918)	0N008507-219	1		
76	W50	Band, Marker (W48, P2/8A9)	0N008507-200	1		
77		Cable Assembly, Loop-Out 2	0N008919	1		
78		Band, Marker (W49, P1/A17J8)	0N008507-201	1		
79	W51	Band, Marker (W49, 0N008919)	0N008507-220	1		
80		Band, Marker (W49, P2/8A10)	0N008507-202	1		
81		Cable Assembly, Remote	0N008920	1		
82	W52	Band, Marker (W50, P1/L11)	0N008507-210	1		
83		Band, Marker (W50, 0N008920)	0N008507-212	1		
84		Band, Marker (W50, P2/8A11)	0N008507-211	1		
85	W53	Cable Assembly, PTS	0N008921	1		
86		Band, Marker (W51, P1/A17J6)	0N008507-203	1		
87		Band, Marker (W51, 0N008921)	0N008507-221	1		
88	W54	Band, Marker (W51, P2/8A12)	0N008507-204	1		
89		Cable Assembly, Ground	0N008922	1		
90		Band, Marker (W52, 1A17E3)	0N008507-208	1		
91	W55	Band, Marker (W52, 0N008922)	0N008507-213	1		
92		Band, Marker (W52, 8E1)	0N008507-209	1		
93		Card Extender Assembly	0N008961*	1		
94	W56	Printed Wiring Assembly	0N008979	1		
		Clamp, Loop	0N008958-5	2		
		(Attaching Parts)				
	W57	Screw	MS51957-28	2		
		Washer	MS15795-805	4		
		Washer	MS35338-136	2		
		Nut	MS35649-64	2		
95	W58	Plate, Bottom	0N008960	1		
		(Attaching Parts)				
		Screw	MS51957-28	4		
		Washer	MS15795-805	4		
	W59	Washer	MS35338-136	4		
		Connector, Receptacle, Electrical	0N008935-1	1		
96	96A	Connector, Receptacle, Electrical	0N008935-2	1		
		(Attaching Parts)				
	W60	Screw	MS51957-17	4		
		Washer	MS15795-803	8		

*0N008961 is not a part of 0N008900, it is shown here for ease of identification.

~~CONFIDENTIAL~~

GROUP ASSEMBLY PARTS LIST

Fig. & Index No.	Reference Designation	Description	Part No.	Units Per Assy.	Usable on Code	
						1
26-96A		Washer	MS35338-135	4		
		Nut	MS35649-44	4		
-97	TP10	Jack, Tip	MS16108-3A	1		
		Jack, Tip	MS16108-2A	1		
		Jack, Tip	MS16108-7A	15		
-98	J1TP1, TP2, J1TP4, TP5, J1TP7, TP9, J2TP1, TP2, J2TP4, TP5, J2TP7, TP9					
-99		Chassis, Card Extender	0N008959	NP		
		Cable Assembly	0N008962	1		
		Capacitor, Fixed, Mica: 2000 μ of. \pm 5pct. 500V	0N008288-19	1		
-100		Lug, Terminal	MS35431-2	1		
		Plug, Dummy	0N008901	1		
-100A						
-100B						
-100C						
-101						

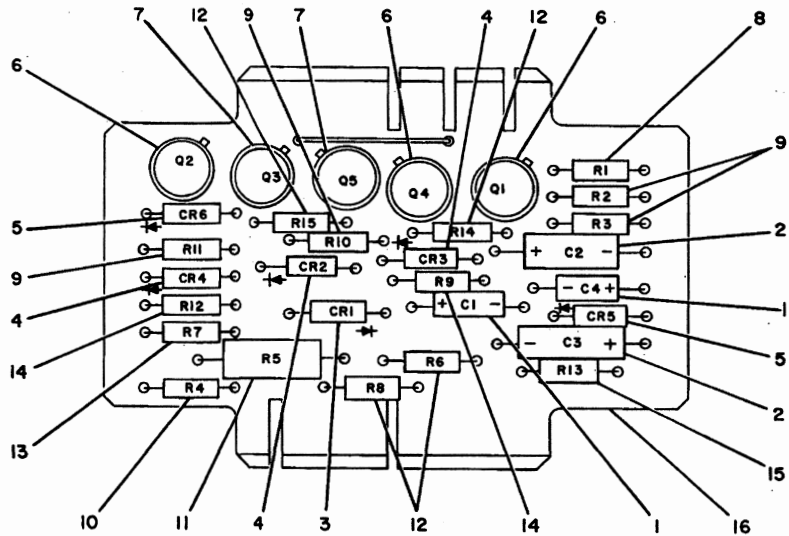


Figure 27.—TD Step Continuous (E-BLR)

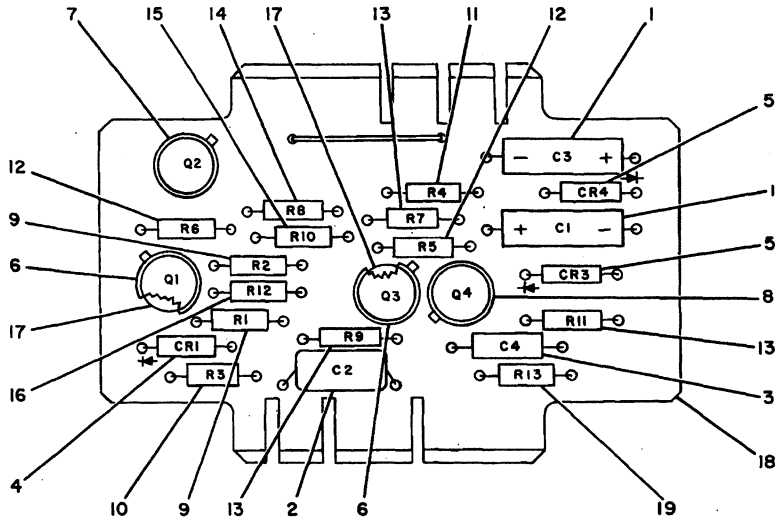


Figure 28.—Line In-Loop In (E-BLS)

~~CONFIDENTIAL~~

KAM-145B/TSEC

GROUP ASSEMBLY PARTS LIST

Fig. & Index No.	Reference Designation	Description	Part No.	Units Per Assy.	Usable on Code							
						1	2	3	4	5	6	7
28-	8A4,8A5,8A7	Printed Wiring Assembly-Line In-Loop'In, E-BLS (See Fig. 26-11 for NHA)	0N008927	Ref								
-1	C1,C3	Capacitor, Fixed, Electrolytic: 4.7 μ f, 20pct, 35V	CS13BF475M	2								
-2	C2	Capacitor, Fixed, Mica: 820 μ f, 5pct, 300V	0N008289-13	1								
-3	C4	Capacitor, Fixed, Ceramic: 0.01 μ f, 20pct, 100V	0N008348-1	1								
-4	CR1	Semiconductor Device, Diode	1N457	1								
	CR2	Not Used										
-5	CR3,CR4	Semiconductor Device, Diode	1N752A	2								
-6	Q1,Q3	Transistor	2N706	2								
-7	Q2	Transistor	2N404	1								
-8	Q4	Transistor	0N008351	1								
-9	R1,R2	Resistor, Fixed, Composition: 56 Ohms, 5pct, 1/4w	RC07GF560J	2								
-10	R3	Resistor, Fixed, Composition: 5.6K, 5pct, 1/4w	RC07GF562J	1								
-11	R4	Resistor, Fixed, Composition: 1.5 Meg, 5pct, 1/4w	RC07GF155J	1								
-12	R5,R6	Resistor, Fixed, Composition: 56K, 5pct, 1/4w	RC07GF563J	2								
-13	R7,R9,R11	Resistor, Fixed, Composition: 10K, 5pct, 1/4w	RC07GF103J	3								
-14	R8	Resistor, Fixed, Composition: 910 Ohms, 5pct, 1/4w	RC07GF911J	1								
-15	R10	Resistor, Fixed, Composition: 2.4K, 5pct, 1/4w	RC07GF242J	1								
-16	R12	Resistor, Fixed, Composition: 1K, 5pct, 1/4w	RC07GF102J	1								
-17		Insulator, Disk	0N008653	2								
-18		Printed Wiring Board	0N008937	NP								
-19	R13	Resistor, Fixed, Composition: 560 Ohms, 5pct, 1/4w	RC07GF561J	1								

GROUP ASSEMBLY PARTS LIST

Fig. & Index No.	Reference Designation	Description	Part No.	Units Per Assy.	Usable on Code							
						1	2	3	4	5	6	7

~~CONFIDENTIAL~~



~~CONFIDENTIAL~~

KAM-145B/TSEC

NUMERICAL INDEX

~~CONFIDENTIAL~~

CONFIDENTIAL

NUMERICAL INDEX

Part No.	Stock No.	Fig. and Index No.	Total Qty. Used
AN507C440-3	5305-619-1061	17-28	2
AN507C440-5	5305-282-8524	17-6	4
CK60AWR21M	5910-878-0813	1-78	13
CL050SD23	5910-954-4434	2-125	1
CL050SD33	5910-954-4433	2-124	1
CL23CJ150TN3	5910-994-2564	2-94	1
CL25BE201UP3	5910-841-8747	2-60	3
		2-110	
CL25BE581UP3	5910-754-8589	2-99	2
CL25BE600UP3	5910-681-7157	2-72	3
		2-109	
CL25BG400UP3	5910-543-9109	2-47	1
CL25BJ151UP3	5910-686-7100	2-55	3
CL25BJ180UP3	5910-683-3733	2-54	1
CL25BJ600UP3	5910-823-1857	2-95	1
CL25BN250UP3	5910-803-2775	2-59	3
CL34BN0R8MP3		2A-125	1
CL44BB300TP3	5910-814-4812	2-67	2
		2-101	
CL65CN2R5MP3		17A-15B	1
CP05A1K104K3	5910-825-1637	17A-17	2
CP05A1K104K3		18-48	1
CP05A1K104K3		20-33	1
CP05A3KB334K3		17A-15	2
		17A-15A	
CP08A1KC24K3		19-45	1
CP08A1KB104K3	5910-899-4395	2-58	3
		2-100	
CP08A1KB104K3	5910-899-4395	2A-61	3
		2A-83	
CP09A1KB224K3	5910-655-0138	2-102	1
CP09A1KB224K3		2A-84	1
CS13AG220M	5910-992-0318	2-56	3
CS13BD167K	5910-924-7622	24-9	1
CS13BE394M		27-1	AR
CS13BF475M	5310-904-5642	28-1	4
		23-7A	1
CS13BF564K	5910-781-8982	17A-14A	1
CS13BF565K	5910-902-3661	17-14	4
FHN20G	5920-556-0144	17-14	4
JAN1N752A		27-5	2
JJ089	5935-192-4789	1-98	1
MS15795-303	5310-595-6211	2-25A	32
MS15795-303		17-19	8
MS15795-303		18-27A	6

Part No.	Stock No.	Fig. and Index No.	Total Qty. Used
MS15795-802	5310-595-6761	1-96	30
		2-24	
		3-8	
		4-7	
		5-7	
		6-7	
		7-7	
		8-11	
		9-8	
		10-10	
		11-7	
		12-10	
		13-11	
		14-9	
		15-9	
		16-15	
		26-17	
MS15795-802		26-24	10
MS15795-803	5310-595-6211	1-80	26
		1-93	
		1-94	
		1-107	
		1-143	
		1-144	
		2-10	
		2A-10	
		2A-111	
		17A-9	
		17A-25	
MS15795-903		18-23	41
		18-24	
		18-25	
		18-26	
		18-28A	
		18-30	
		18-33	
		18-36	
		18-53	
MS15795-803		19-22	32
		19-31	
		19-35	
		19-41	
		19-51	
MS15795-803		20-19	53
		20-38	

Part No.	Stock No.	Fig. and Index No.	Total Qty. Used
MS15795-803		21-39	2
MS15795-803		23-13	19
		24-1	
		24-2	
		24-20B	
		24-40	
MS15795-803		25-37A	2
MS15795-803		26-15	104
		26-16	
		26-18	
		26-19	
		26-20	
		26-27	
		26-31	
		26-47	
		26-96	
		2-11	
		2-16	
MS15795-804	5310-782-1349	2A-11	19
		23-7	
		23-9	
		23-14	
MS15795-805	5310-281-1405	1-5	110
		1-44	
		1-114	
		1-132	
		1-132B	
		1-142	
		2-15	
		2-37	
		2-46	
		2-89	
		2-122	
		2A-16	
		2A-36	
		2A-40	
		2A-65	
		2A-70	
		2A-79	
		2A-97	
		2A-103	
		2A-110	
		17-2	
		17A-4	

Part No.	Stock No.	Fig. and Index No.	Total Qty. Used
MS15795-805	5310-281-1405	17A-8	
		17A-31	
		18-35	15
		18-42	
		18-46	
		19-26	
		19-29	14
		19-37	
		19-39	
		20-22	29
		20-28	
		20-31	
		21-5	
		21-14	
		23-8	4
		23-12	
MS15795-805		25-34	8
		25-35A	
MS15795-805		26-22	42
		26-23	
		26-25	
		26-26	
		26-28	
		26-94	
MS15795-806	5310-880-5976	1-39	6
		2-120	
MS15795-807	5310-680-5978	1-48	60
		1-54	
		1-85	
		1-104	
		1-105	
		1-116	
		1-134	
		2-9	
		2-36	
		2-133	
		2A-8	
		2A-35	
		2A-118	
		17A-1	
		17A-3	
		17A-10	
MS15795-807		18-53	4
		18-60	
MS15795-807		19-8	21

CONFIDENTIAL

CONFIDENTIAL

KAM-145B/TSEC

NUMERICAL INDEX

Part No.	Stock No.	Fig. and Index No.	Total Qty. Used	Part No.	Stock No.	Fig. and Index No.	Total Qty. Used	Part No.	Stock No.	Fig. and Index No.	Total Qty. Used	Part No.	Stock No.	Fig. and Index No.	Total Qty. Used			
MS15795-807		19-11	36	MS16108-7A		26-99	15	MS25036-49		2-41	8	MS3110E-18-32P		5935-088-7712	26-46			
		19-12		MS16535-76		2-138	6	2-83			MS3112E-18-32P	5935-827-4019		18-30				
		19-16		MS16935-79		8-11	10	2-35		12	MS3112E-18-32P			20-17				
		19-20		MS16996-25		5305-988-7601	17A-3	2		2-42		MS3112E-18-32S		5935-825-8864	1-92			
		19-23		MS16995-50		5305-988-7614	21-6	3		2-84		MS3112E-8-4P		5935-846-2175	17-20			
		19-25		MS17122-11		2A-62	32	MS25036-50		2A-34	5	MS3112E-8-4S			22-38			
		19-25		MS17160-22		2A-89	2	MS25043-14C		5935-257-7581	26-35	MS3112E-8-4PW		5935-881-7775	17-21			
		19-52		MS17190-38		2A-64	5	MS25043-16C		5935-581-4658	25-36	MS3112E-8-4SW			22-44			
		20-39				2A-105		MS25201-5W			20-29	MS3116E-12-3P		5935-879-1813	22-2			
		20-44				2A-78	10	MS25281-F8		5340-916-2342	28-94	MS3116E-12-3PY		5935-954-1419	22-42			
		21-4				2A-102	2	MS25281-3		5340-060-3257	2-46	MS3116E-14-5P		5935-755-3236	22-49			
		21-16				2A-73	10				2-88				22-55			
		21-41				2A-63	4	MS25281-3			2A-65	3		MS3116E-14-5PX	5935-892-9273	24-30		
		21-42				2A-106					2A-103			MS3116E-14-5SW	5935-994-2571	22-22		
		21-44				2-22	18	MS25281-3			17A-8	1				22-28		
21-45		2A-22	18	MS25281-4		2-89	2	MS3116E-14-5SX	5935-994-2572	22-16								
MS15795-807		23-4	5	MS21209C0415		2A-22	18	MS25281-4		2A-97	1	MS3116E-14-5SY		5935-994-2573	22-10			
		23-1		MS21209C0415		5340-531-6700	2-21	20	MS25281-4		MS3116E-14-5PY	5935-088-7984		22-71				
		23-17		MS21209C0815		5340-531-6700	2A-21	20	MS25281-4P	5340-998-3210	20-29	MS3116E-14-5PZ		5935-994-2574	22-34			
MS15795-808	5310-619-1148	1-74	38	MS21318-15		3-6	56	MS25281-5		5340-060-3254	2-45	2	MS3116E-16-8P		5935-086-2402	22-6		
		1-139		4-6			2-89	2		MS3116E-18-32P	5935-827-4019	18-1						
		1-140		5-5									18-72					
		2-27		6-6									18-80					
		2-133		7-9									18-88					
		2A-26		8-9									22-63					
		2A-115		9-6									2					
		21-30		10-8									18-2					
		26-1		11-5									19					
		26-3		12-8									18-73					
MS15795-808	5310-619-1148	26-3	30	MS25281-5		17A-7	1	5940-626-3522		17A-5	4	MS3116E-18-32S		5935-755-3630	18-2			
		26-33		MS25281-5		20-29	1	5940-613-2627		24-3	3			18-81				
		26-2		MS25281-5		5340-998-3210	2-45	2		MS25311-110	5940-613-2627	24-3		3	18-89			
		21-6		MS25281-5		5340-060-3254	2-89	2		MS25311-120	5975-632-0411	2-86		5	MS3116E-18-32S	5935-755-3630	20-1	
		21-8		MS25281-5			19-52	1				17A-6		3	MS3116E-18-32S		22-62A	
		21-19		MS25281-5			2A-70	1				19-31		3	MS3116E-8-4S	5935-815-1541	1-153	
		21-24		MS25281-5			20-29	1				2-87		1		1-159		
		21-25		MS25281-5			1-116	2				18-11		1	MS3116E-8-4S		22-44	
		21-22		MS25281-22			MS25281-22	21-44		1				20-4	1	MS3116E-8-4SW	5935-892-9090	1-163
		21-11		MS25281-6			MS25281-6	18-44		1				2-44	1	MS3116E-8-4SW		22-36
MS15795-810	5310-582-5677	21-6	16	MS25311-100		5940-626-3522	17A-5	4	MS25311-90		5940-802-1565	2-44	1	MS3116E-18-32S	5935-755-3630	20-1		
		21-8		MS25311-110		5940-613-2627	24-3	3	MS3102R-14-S2PX		5935-878-3584	26-44	1	MS3116E-18-32S		21-32		
		21-19		MS25311-120		5975-632-0411	2-86	5	MS3102R-14-S2S		5935-800-2824	26-39	1	MS3119-12-3	5935-994-2565	21-32		
		21-24		MS25311-120			19-31	3	MS3102R-14-S2PY			26-40	2	MS3119-12-3Y	5935-088-7947	21-37		
		21-24		MS25311-180			MS25311-180	2-87	1		MS3102R-14-S2P	5935-878-3578	26-47	1	MS3119-14-5	5935-994-2569	21-36	
		21-25		MS25311-180			MS25311-180	18-11	1		MS3102R-14-S2S	5935-807-9308	26-42	1	MS3119-14-5W	5935-994-2566	21-33	
		21-25		MS25311-180			MS25311-180	20-4	1		MS3102R-14-S2S	5935-878-3578	26-42	1	MS3119-14-5X	5935-994-2567	21-34	
		21-22		MS25311-90			MS25311-90	5940-802-1565	2-44		1	MS3102R-14-S2S	5935-821-0345	26-45	1	MS3119-14-6Y	5935-994-2568	21-35
		21-11		MS24679-21			MS24679-21	5935-878-3584	26-44		1	MS3102R-14-S2P	5935-755-3688	26-38	1	MS3119-14-6Z	5935-994-2570	21-38
		2-32		MS24679-22			MS24679-22	5935-800-2824	26-39		1	MS3102R-14-S2S	5935-815-0514	26-43	1	MS3119-16-8	5935-954-1425	21-31
MS16108-2A	5835-615-7017	2A-31	1	MS24693C296		21-41	15	MS3102R-16-S1P										
		2A-31		MS24930C4		5305-056-9961	23-9	4										
		2A-31		MS25036-1		5940-500-9995	2-82	1										
		2A-31		MS25036-10		5940-204-8961	22-67	1										
		2A-31		MS25036-48		5940-567-4398	1-	3										
		2A-31				24-20B												
		2A-31																
		2A-31																
		2A-31																
		2A-31																

CONFIDENTIAL

NUMERICAL INDEX

Part No.	Stock No.	Fig. and Index No.	Total Qty. Used
MS3119-18-32	5935-840-4467	21-39	1
MS3233-13	5305-550-5002	23-25	2
MS3233-14	5305-638-0653	17-29	6
MS3233-14		18-35	6
MS3233-15	5305-576-7493	17-19	32
		17-25A	
		18-27A	6
MS3233-28		20-30	1
MS3233-4	5305-543-2759	23-24	2
MS3233-46	5305-543-2786	1-105	13
		1-135	
		1-147	
		17A-1	
MS3234-63	5305-543-4357	2-133	8
MS3249-37	5305-022-7101	21-17	1
MS3250-73	5305-42-1207	21-2	4
MS3275-207	5305-948-4033	26-17	10
		26-24	
MS3311-90		2-85	4
MS3333-47	5310-560-3714	1-3	1
MS3333-47		25-39	1
MS3333-71	5310-058-3151	2-37	16
		2-46	
		2-89	
MS3333-73	5310-716-8548	2-133	8
MS3335-57	5310-058-3599	1-77	27
		1-128	
		17A-25	
MS3535-57		19-41	2
MS3535-57		20-20B	1
MS3535-57		26-16	19
MS3535-60	5310-209-1239	2-27	7
MS3535-60		2A-26	7
MS3535-60		21-29	1
MS3538-135	5310-933-8118	1-94	65
		1-107	
		1-127	
		1-130	
		1-136	
		1-144	
		2-126	
		2A-11	
		2A-111	
		17A-9	
		17A-25	

Part No.	Stock No.	Fig. and Index No.	Total Qty. Used
MS36338-135		18-35	11
		18-52	
MS35338-135		19-22	18
		19-35	
		19-41	
		19-50	
MS35338-135		20-19B	13
		20-37	
MS35338-135		21-39	44
MS35338-135		23-7	9
		23-9	
		23-13	
		23-14	
MS35338-135		24-1	13
		24-2	
		24-20B	
MS35338-135		25-37A	2
MS35338-136	5310-929-6395	1-5	56
		1-114	
		1-142	
		2-46	
		2-89	
		2-120	
		2-122	
		2A-16	
		2A-36	
		2A-40	
		2A-65	
		2A-70	
		2A-79	
		2A-97	
		2A-103	
		2A-110	
		17-9	
MS35338-136		17A-8	5
		17A-31	
		18-36	
MS35338-136		18-47	5
		19-26	4
		19-29	
MS35338-136		20-22	5
		20-31A	
MS35338-136		21-5	17
		21-6	

Part No.	Stock No.	Fig. and Index No.	Total Qty. Used
MS35338-136		21-14	
		23-8	4
		23-12	
MS35338-136		25-34	6
MS35338-137	5310-933-8119	1-116	22
		1-134	
		2A-115	
		17A-1	
		17A-3	
MS35338-137		19-8	8
		19-23	
		19-25	
		21-4	8
MS35338-137		21-16	8
		21-41	25
		21-42	
		21-44	
		21-45	
MS35338-137		23-4	6
		23-17	
MS35338-138	5310-833-8120	1-139	8
		1-140	
		2A-35	
MS35338-139		21-19	6
		21-24	12
		21-25	12
MS35338-140		21-22	8
MS35338-143		21-12	2
MS35338-77	5310-058-3829	23-24	2
MS35338-78		23-25	2
MS35338-79	5310-011-1041	17-9	8
		17-11	
		17-29	
MS35338-79		21-17	1
MS35431-8		2-29	7
MS35489-6	5325-263-6632	2-134	2
MS35489-6		2A-116	2
MS35489-6		19-27	1
MS35489-24	5310-271-4640	1-96	2
MS35649-24		23-24	2
		26-17	10
		26-24	
		19-22	
MS35649-244		19-35	22
		20-19A	

Part No.	Stock No.	Fig. and Index No.	Total Qty. Used
MS35649-264		19-26	9
		19-29	
		20-32	
		21-14	
MS35649-284		21-16	14
		21-44	
		21-45	
		1-94	
MS35649-44	5310-271-4642	1-107	31
		1-126	
		1-129	
		17A-9	
MS35649-44		2A-11	6
MS35649-44		23-7	11
		23-9	
		23-13	
		23-14	
		23-25	
MS35649-44		24-20B	4
MS35649-44		26-18	66
		26-19	
		26-20	
		26-47	
		26-96	
MS35649-64	5310-062-0912	1-114	22
		2-46	
		2-89	
		2-120	
		2-122	
		17A-4	
		17-8	
		18-47	1
MS35649-64		2A-16	21
		2A-65	
		2A-70	
		2A-97	
		2A-103	
		2A-110	
MS35649-64		23-8	4
		23-12	
MS35649-64		26-22	16
		26-26	
		26-94	
MS35649-84	5310-271-4645	1-116	10
		1-134	

~~CONFIDENTIAL~~

NUMERICAL INDEX

Part No.	Stock No.	Fig. and Index No.	Total Qty. Used	Part No.	Stock No.	Fig. and Index No.	Total Qty. Used	Part No.	Stock No.	Fig. and Index No.	Total Qty. Used	Part No.	Stock No.	Fig. and Index No.	Total Qty. Used
MS35649-84		2A-36	4			18-28A				2A-70		MS351957-50	5305-054-6676	1-85	3
MS35649-84		23-4	2			18-30				2A-97				2-24	
		23-17				18-33				2A-103		MS351957-53		19-20	2
MS35650-104	5310-270-8810	2-27	7	MS351957-17		20-18	8			17-9		MS351957-6	5305-054-5640	1-96	2
MS35650-104		2A-26	7	MS351957-17		24-20B	3			17A-8		MS351957-61	5305-050-9227	26-3	8
MS35650-104		26-1	20	MS351957-17		26-27	60	MS351957-31		23-8	4	MS351957-96		21-22	8
		26-33				26-47				23-12		MS351958-63	5305-059-3659	1-74	21
MS35650-304		21-26	4			26-96		MS351957-32	5305-054-6656	2A-15	8			1-140	
		21-28		MS351957-18	5305-054-6652	24-20A	1	MS351957-32		21-5	10	MS351958-64	5305-059-3660	1-139	10
MS351957-12	5305-054-5646	2-122	1	MS351957-18		26-18	14	MS351957-32		26-26	2			2A-115	
		2-126				26-19		MS351957-34	5305-054-6658	17A-31	2	MS351958-64		26-1	6
MS351957-12		18-51	5			26-20		MS351957-43	5305-054-6668	1-47	33	MS351958-81		26-2	16
MS351957-12		20-36	5	MS351957-19	5305-054-5653	2A-11	6			1-54		MS351958-81		21-19	22
MS351957-12		25-37A	2	MS351957-26		17-9	1			1-104		MS351958-81		21-24	
MS351957-13	5305-054-5647	1-145	12	MS351957-27	5305-054-6651	1-5	22			2A-8				21-25	
		2-10				1-192B				2A-118		MS351959-12	5305-777-6039	3-5	61
		2A-10				2-46				17A-10				4-5	
		2A-111		MS351957-28	5305-054-6652	2A-36	13	MS351957-43		18-59	2	MS351959-13	5305-770-2533	1-136	2
MS351957-13		19-49	46	MS351957-28		17-1	8	MS351959-43		20-43	2			21-14	4
		21-39		MS351957-28		19-26	8	MS351957-44	5305-054-6669	1-116	24	MS351959-43		21-43	
MS351957-14	5305-054-6648	1-143	12			19-29				2-8		MS351959-45	5305-784-0068	1-111	3
		1-144				19-39				2-36		MS351959-47		21-16	8
MS351957-14		17A-25	4	MS351957-28		25-34	6			2-37		MS351960-66	5305-071-1323	1-110	2
		19-22		MS351957-28		26-94	6			2-133		MS351960-66		21-2	4
		19-41				26-95				2A-35		MS351972-1		21-19	30
MS351957-14		23-14	2	MS351957-29	5305-054-6653	2-	25	MS351974-4		19-11	10			21-24	
MS351957-14		25-34A	4			2A-40				19-12				21-25	
MS351957-14		26-15	26			2A-79				19-16		MS351972-5		21-13	2
		26-16		MS351957-29		17A-4		MS351974-5	5305-054-6670	19-17		MS37868-1	5940-682-2477	1-131	15
		26-31		MS351957-30	5306-054-6654	19-37	4	MS351974-5		1-134	8	MS90078-1	5920-892-9292	17-12	2
MS351957-15	5305-054-5649	1-93	2	MS351957-30		1-43	6	MS351974-5		19-23	5	MS90078-14-1	5920-892-7787	17-13	2
MS351957-15		19-31	15	MS351957-30		1-142				19-25		MS91628-1K2B	6355-644-2013	1-56	1
		19-35				18-36	15	MS351974-5		19-52		MS3099-007		21-27	1
MS351957-15		24-1	10	MS351957-30		18-42		MS351974-5		23-4	5	MS24129-4-4C		21-9	2
		24-2				18-45				23-17		RC07GF102J	5905-681-6462	27-14	3
MS351957-16		2-16	8	MS351957-30		20-22	4	MS351974-6	5305-054-6671	1-105	5			28-16	
MS351957-17	5305-054-5651	1-90	8			20-27	10			17A-1		RC07GF103J	5905-683-2238	27-10	5
		1-94		MS351957-30		20-30	1	MS351974-6		21-4	10			27-15	
		1-107				26-22	24			21-44				28-13	
		2-15				26-25		MS351974-7		21-45		RC07GF162J	5905-683-7723	17A-19	2
MS351957-17		18-22	30			26-28		MS351974-9		21-42	3	RC07GF155J	5905-900-3481	28-11	1
		18-24		MS351957-31	5305-054-6655	1-114	36	MS351974-9	5305-054-6674	1-39	6	RC07GF203J	5905-686-3368	27-13	1
		18-25				1-132		MS351974-9		18-53	2	RC07GF242J	5905-683-7724	28-15	1
		18-26				2A-65		MS351974-9		20-39	2	RC07GF301J	5905-686-3122	1-112	1
												RC07GF362J	5905-805-9714	1-113	3

~~CONFIDENTIAL~~

CONFIDENTIAL

NUMERICAL INDEX

Part No.	Stock No.	Fig. and Index No.	Total Qty. Used	Part No.	Stock No.	Fig. and Index No.	Total Qty. Used	Part No.	Stock No.	Fig. and Index No.	Total Qty. Used	Part No.	Stock No.	Fig. and Index No.	Total Qty. Used
RC07GF392J	5905-682-4098	27-8	1	RC20GF563J	5905-171-1996	24-8	1	SE209D02		20-35	5	0N007837		4-3	
RC07GF472J	5905-686-9998	27-9	4	RC20GF681J	5905-195-6791	17A-20	1	TS101P01	5935-280-0517	17A-4	3			5-4	
RC07GF560J	5905-682-4106	27-12	7	RC20GF820J	5905-279-2633	18-47A	1	TS101P01	5935-280-0517	19-26	1			7-7	
RC07GF561J	5905-682-4109	28-9	3	RC20GF820J		20-32A	1	TS102P02		19-22	1			9-3	
		28-19		RC20GF821J	5905-171-1999	18-47A	1	UP221M		1-158	1			10-7	
RC07GF562J	5905-691-0195	28-10	1	RC20GF821J		20-32A	1	0N007757	5810-961-2739	1-	1			11-4	
RC07GF563J	5905-800-0179	28-12	2	RC20GF821J		24-7	2	0N007782	5810-053-5497	18-96	1			12-5	
RC07GF911J	5905-901-6444	28-14	1	RC32CF182J		2-98	1	0N007785-1	6130-955-1707	1-39	1			13-4	
RC20GF102J	5905-195-6806	24-18	1	RC32CF560J	5905-279-1897	17A-18	1	0N007785-2	5810-925-9219	2-	1			14-4	
RC20GF102J		26-13	1	RC32GF681J	5905-279-2626	2-111	1			1-39				15-3	
RC20GF103J	5905-185-8510	2-66	4	RC32GF681J		2A-100	1	0N007787-1	5810-067-2151	2A-	2	0N007838	5810-996-8551	6-4	11
		2-107		RV6LAYS4501A	5905-665-4947	1-49	1			2-137				7-5	
		19-44	1	RW55V120	5905-542-9835	2-130	1	0N007787-2	5810-065-1329	2-138	1			8-4	
RC20GF103J		2A-59	4	RW55V470	5905-839-6888	2-129	1	0N007789		2-40	1			12-3	
		2A-96		RW55V471		19-10	1	0N007790	5810-955-1739	2-	1			13-6	
RC20GF151J	5905-299-1541	2A-93	1	RW55V800	5905-879-4094	2-129	1	0N007790-1		2-23	1	0N007839	5810-996-8552	15-5	1
RC20GF152J	5905-299-2046	2-70	4	RW55V8R2	5905-882-8576	2-127	1	0N007831	5320-955-1772	3-8	28	0N007838		19-37	
		2-106		RW56V201	5905-883-0520	2-131	1			4-7				20-23	
RC20GF152J		2A-66	4	RW56V301	5905-834-5478	2-131	1			5-7		0N007840	5810-996-8553	9-4	4
		2A-104		RW56V621	5905-883-2240	2-132	1			6-7		0N007841	5810-996-8554	3-2	132
RC20GF152J		24-3	1	RW56V560	5905-992-0307	2-128	1			7-11				4-2	
RC20GF153J	5905-279-2616	24-12	2	RW56VR50	5905-686-3058	2-97	1			8-11				5-2	
RC20GF181J	5905-279-3514	2-62	4	RW59V391	5905-514-7307	2-98	1			9-8				6-2	
		2-104		RW69V101		19-43	1			10-10				7-4	
RC20GF181J		2A-54	4	RW69V131	5905-982-3330	2A-53	4			11-7				8-2	
		2A-86		RW69V131	5905-044-2222	2A-80	4			12-10				9-2	
RC20GF182J	5905-190-8881	2-71	2	RW69V131		2A-92	4			13-11				10-2	
		2-98		RW69V3R0	5905-060-3771	2-96	2			14-9				11-2	
		2A-68	2			2A-87	2			15-9				12-2	
		2A-88		RW69V470	5905-044-2216	2-52	1			16-8				13-5	
RC20GF222J		24-11	1			2A-46	1			18-15				14-3	
RC20GF222J	5905-279-1876	2A-47	1	RW69V5R6	5905-988-2182	2A-122	1	0N007832		23-08				15-2	
RC20GF223J	5905-171-2004	24-10	1	RW69VR50	5905-975-1134	2-97	1	0N007832		18-40	1			16-5	
RC20GF271J	5905-171-2006	24-13	1	RW69V891	5905-577-7427	2-92	1	0N007836	5810-996-8549	20-25	1	0N007842	5810-996-8555	7-8	16
RC20GF272J	5905-279-1880	24-6	1	RW9V100	5940-082-4861	18-38	10			5-3	61			8-3	
RC20GF273J	5905-279-3499	24-4	1	SE12XC04		20-24	10			6-3				9-5	
RC20GF332J	5905-279-3506	24-14	1	SE12XC04		2-80	10			7-4				10-3	
RC20GF391J	5905-279-1890	24-15	1	SE12XC05		24-19A	7			8-8				11-3	
RC20GF471J	5906-192-3973	24-5	1	SE12XC08	5940-718-1721	2A-90	71			10-6				12-6	
RC20GF472J	5905-279-3504	2-65	3	SE205D01		1-136	4			12-4				13-7	
		2-108		SE209D01	5940-905-4516	18-30	7	0N007836		13-8				14-5	
RC20GF472J		2A-58	3			16-50	4			14-6				15-6	
		2A-99		SE209D01		20-35	5	0N007837	5810-996-8550	15-4		0N007843	5810-996-8556	8-5	14
RC20GF560J	5905-279-1897	26-14	1							16-2				10-4	
										3-3	32			12-7	

CONFIDENTIAL

CONFIDENTIAL

KAM-145B/TSEC

NUMERICAL INDEX

Part No.	Stock No.	Fig. and Index No.	Total Qty. Used
ON007843		13-2	
		14-2	
ON007844	5810-996-8557	8-6	2
		10-5	
ON007845	5810-996-8558	13-3	2
ON007846	5810-996-8559	16-8	1
ON007847	5810-996-8560	16-11	1
ON007848	5340-955-8561	16-10	1
ON007849	5340-955-1729	3-8	31
		4-7	
		5-7	
		6-7	
		7-11	
		8-11	
		9-8	
		10-10	
		11-7	
		12-10	
		13-11	
		14-9	
		15-9	
		16-15	
		16-9	
ON007850	5810-996-8562	8-7	1
ON007852	5910-996-8666	16-9	1
ON007853	5810-996-8565	16-6	2
ON007855	5810-996-8564	16-3	1
ON007859-1	5810-955-1779	3-8	15
		4-8	
		5-7	
		6-7	
		7-11	
		8-11	
		9-8	
		10-10	
		11-7	
		12-10	
		13-11	
		14-9	
		15-9	
		16-15	
ON007859-2	5810-955-1778	23-9A	15
		3-7	
		4-7	
		5-6	
		6-6	

Part No.	Stock No.	Fig. and Index No.	Total Qty. Used
ON007859-2		7-10	
		8-10	
		9-7	
		10-9	
		11-6	
		12-9	
		13-10	
		14-8	
		15-8	
		16-14	
		23-9B	
ON007861	5810-955-1738	18-36	1
ON007861		20-22	1
ON007862	5810-955-1743	2-7	1
ON007862		2A-7	1
ON007866	5970-955-1765	2-19	14
ON007868		2A-19	6
ON007870	5890-775-4048	2-20	7
ON007870		2A-20	3
ON007874	5999-966-7075	19-38	1
ON007876-1		3-10	14
		4-10	
		5-9	
		6-9	
		7-13	
		8-15	
		9-11	
		10-13	
		11-10	
		12-13	
		13-14	
		14-12	
		15-12	
		16-16	
ON007876-2		3-9	14
		4-9	
		5-8	
		6-8	
		7-12	
		8-13	
		9-10	
		10-12	
		11-9	
		12-12	
		13-13	
		14-11	

Part No.	Stock No.	Fig. and Index No.	Total Qty. Used
ON007876-2		15-11	
		16-17	
ON007877		3-11	14
		4-11	
		5-10	
		8-10	
		7-15	
		8-14	
		9-12	
		10-14	
		11-11	
		12-14	
		13-15	
		14-13	
		15-13	
		16-18	
ON007892		6-12	1
ON007892		12-15	1
ON007898		11-12	1
ON007879-1		19-42	1
ON007890	5975-955-1709	2-	1
ON007890	5810-053-5493	19-29	1
ON007892-1	5810-066-8003	1-	1
ON007892-2	5810-955-1703	1-1	1
ON007895	5810-966-7078	19-39	1
ON007897-1	5810-955-1777	18-	1
ON007897-4		18-	1
ON007898		16-	1
ON007898	5335-955-1740	1-89	1
ON007898		18-57	1
ON007898		20-41	1
ON007901	5810-955-1747	1-61	1
		4-	1
ON007902	5810-955-1746	1-60	1
		3-	1
ON007903	5810-953-4145	1-63	1
		6-	1
ON007904	5810-953-4144	1-62	1
		5-	1
ON007905	5810-953-4146	1-65	1
		8-	1
ON007906	5810-953-4147	1-64	1
		7-	1
ON007907	5810-953-4149	1-67	1
		10-	1
ON007908	5810-953-4148	1-66	1
		9-	1

Part No.	Stock No.	Fig. and Index No.	Total Qty. Used
ON007909	5810-953-4151	1-69	1
		12-	1
ON007910	5810-953-4150	1-68	1
		11-	1
ON007911	5810-953-4154	1-71	1
		14-	1
ON007912	5810-953-4152	1-70	1
		13-	1
ON007913	5810-953-4119	1-73	1
		16-	1
ON007914	5810-953-4153	1-72	1
		15-	1
ON007917	5810-955-1752	17A-	1
ON007918	5910-955-1762	1-74	1
ON007926	5810-081-4015	1-138	2
ON007931	5959-955-1704	17-27	2
ON007932	9606-993-5514	1-168	1
ON007932	9606-955-1758	1-167	1
ON007935	5810-953-4140	1-64	1
ON007939	5840-955-1733	1-114	1
ON007940	5810-065-1331	24-31	1
ON007943	9605-954-2161	1-5	1
ON007949	5810-955-1725	1-85	1
ON007949		18-53	1
ON007949		20-39	1
ON007949-1		18-55	1
ON007950	5945-955-1771	1-109	1
		17A-	REF
ON007954	5810-065-1332	24-32	1
ON007959	5995-966-7079	1-122	1
ON007964	5945-955-1753	17A-1	1
ON007965	5810-953-4138	1-45	1
ON007966	5810-953-4139	1-46	1
ON007968		2-81	1
ON008001		19-10	1
ON008006-1	9905-993-5507	4-12	1
ON008006-2	9905-993-5519	3-12	1
ON008006-3	9905-993-5508	6-11	1
ON008006-4	9905-993-5522	5-11	1
ON008006-5	9905-993-5523	8-12	1
ON008006-6	9905-993-5524	7-15	1
ON008006-7	9905-993-5510	10-11	1
ON008006-8	9905-993-5509	9-9	1
ON008006-9	9905-993-5512	12-11	1
ON008006-10	9905-993-5511	11-8	1
ON008006-11	9905-993-5520	14-10	1

CONFIDENTIAL

CONFIDENTIAL

KAM-145B/TSEC

NUMERICAL INDEX

Part No.	Stock No.	Fig. and Index No.	Total Qty. Used	Part No.	Stock No.	Fig. and Index No.	Total Qty. Used	Part No.	Stock No.	Fig. and Index No.	Total Qty. Used	Part No.	Stock No.	Fig. and Index No.	Total Qty. Used
0N008006-12	9905-993-5613	13-12	1	0N008077	5995-955-1768	1-1	1	0N008166	5810-955-1773	1-103	1	0N008238-2	5810-205-6266	1-39A	1
0N008006-13	9905-957-1553	15-20	1	0N008078	5995-955-1766	1-1	1					0N008239	5340-955-1716	1-107	1
0N008006-14	9905-992-7270	15-10	1	0N008079	5995-955-1770	18-9	1	0N008169	5315-955-3406	23-7	1	0N008245	5810-965-1455	21-22	2
0N008006-15	9905-993-7371	2-1	1	0N008080	5995-955-1767	18-9	1	0N008172		23-96	2	0N008246	5315-955-7086	21-10	2
0N008006-15		2A-1	1	0N008082	5935-954-2162	17-22A	1	0N008175	0N008175	23-2	1	0N008251	5315-955-7087	21-7	2
0N008008	5810-955-1723	2-	1			18-28A	1	0N008180-1	5905-993-5491	17A-16	2	0N008252	5995-953-4133	2-	1
0N008011	5810-953-4137	1-53	1	0N008083	5935-954-2163	17-25A	1	0N008180-2	5905-721-1506	17A-13	1	0N008253	5995-953-4132	2A-38	1
0N008013	5810-955-1699	18-32	1			18-27A	1	0N008180-3	5905-995-5492	17A-14	2	0N008253	5995-953-4132	2-	1
0N008020	5810-955-1780	1-149C	1	0N008099	5810-960-2157	19-	1	0N008180-4	5905-995-5489	17A-12	1	0N008253		2A-39	1
0N008021		17-26	6	0N008099-4	5810-070-0983	19-	1	0N008180-5	5905-985-6114	17A-13	1	0N008257	5995-961-2742	21-	1
0N008021	5999-953-4136	18-29	6	0N008100	5810-086-7081	19-8	1	0N008185-1	6150-955-1726	2-18	1			22-47	1
0N008021		19-36	3	0N008101	5810-070-0716	19-37	1	0N008185-1		2A-18	1	0N008258	5995-961-2743	21-	1
0N008021		20-20	1	0N008102		19-	1	0N008185-2	6150-955-1727	2-17	2			22-53	1
0N008021		24-20	1	0N008103		19-	1	0N008189		2A-17	2	0N008259	5995-961-2744	21-	1
0N008022	5970-957-6353	1-115	1	0N008104		19-18	1	0N008189		15-7	1	0N008260	5995-961-2745	21-	1
0N008023	5999-953-4125	1-95	1	0N008106		19-20	1	0N008190		13-9	1			22-26	1
0N008023		18-31	1	0N008106	5810-053-5495	19-23	1	0N008191		11-5	1	0N008261	5995-961-2746	21-	1
0N008023		20-21	1	0N008111	5975-955-1708	1-8	1	0N008192		9-6	1			22-14	1
0N008029	5305-955-1712	2-9	2	0N008112	5810-070-0715	1-	1	0N008193		7-9	1	0N008262	5995-957-4468	21-	1
0N008029		2A-9	2	0N008114	5810-953-4142	7A-3	1	0N008194		5-5	1			22-8	1
0N008030	5810-955-1724	2-	1	0N008116		19-28	1	0N008195		3-5	1	0N008263	5995-961-2748	21-	1
0N008031	5995-066-8070	1-123	1	0N008119	5810-958-1454	19-15	1	0N008196		16-13	1			22-32	1
0N008035	5340-955-1711	1-139	2	0N008120		19-25	2	0N008197		14-7	1	0N008264	5995-261-2749	21-	1
		1-140		0N008125	5305-053-5501	19-8	4	0N008198		12-8	1			22-40	1
0N008036-1	5315-961-5345	1-124	28	0N008126	5935-955-1750	23-23	2	0N008199		10-8	1	0N008265	5995-961-2750	21-	1
0N008038		3-13	1	0N008127	9905-955-1756	1-146	1	0N008200		8-9	1			22-59	1
0N008039		5-12	1	0N008128		1-147	1	0N008201		6-5	1	0N008266	5995-961-2751	22-	1
0N008060		8-16	1	0N008130	5810-960-2151	21-	1	0N008202		4-8	1	0N008267	5995-961-2752	21-	1
0N008061		7-16	1	0N008136-1	5325-286-3775	22-14A	7	0N008204	5970-967-6354	2-24	1			22-4	1
0N008062		10-15	1			22-20A		0N008207	5310-955-1731	17-11	1	0N008268	5995-958-1327	21-	1
0N008064		14-14	1			22-28		0N008208	5340-053-5502	21-23	2			22-66	1
0N008065		13-16	1			22-40A		0N008210	5995-953-4126	18-71	1	0N008271	5810-955-1700	17-	1
0N008066		16-21	1			22-47A		0N008212-1	5995-958-4882	19-	2	0N008271-1		17-4	1
0N008067		15-14	1			22-53A		0N008212-2	5995-966-7071	22-	1	0N008271-2		17-3	1
0N008068		16-19	1			22-58A		0N008212-3	5995-966-7072	22-	1	0N008274	5810-955-1714	18-13	1
0N008068		17-29	1	0N008136-2	5325-038-5604	22-8A	1	0N008214	5995-953-4131	1-121	1	0N008274		20-6	1
0N008070-1	5810-960-2155	23-3	1	0N008136-2		22-74	2	0N008215	5995-953-4130	1-117	1	0N008274		24-26	3
0N008070-2	5810-960-2156	23-3	1	0N008139		1-149B	1	0N008216	5995-953-4129	1-118	1			24-38	1
0N008073-1	5310-955-1734	1-6	3	0N008155	5995-955-1717	23-20	1	0N008218-1	5810-960-2166	20-	1			18-14	1
0N008073-2	5310-955-1735	1-7	3	0N008156-1		1-7	3	0N008219		20-61	1	0N008275	5810-955-1715	20-7	1
0N008074-30	5995-052-2476	18-	1	0N008156-2	5310-904-5517	1-6	3	0N008220		2-73	1			24-25	3
0N008074-120	5995-052-2477	18-	1	0N008159	5310-910-4422	18-32	1	0N008220-1		2A-76	1			24-39	1
0N008074-600	5995-052-0889	18-	1	0N008161	5810-955-1780	17-31	1	0N008221	5810-053-5503	20-26	1	0N008276	5810-955-1710	20-2	1
0N008074-1200	5995-089-3507	18-	1	0N008165	5999-955-1706	1-106	2	0N008226	5995-063-5499	20-13	1	0N008280	5999-955-1720	17-9	1
0N008076	5995-955-1769	18-9	1			17-30	1	0N008229		19-14	1	0N008281		25-41A	AR
0N008076		20-2	1					0N008234	5995-953-4127	1-120	1	0N008282	5905-955-1755	25-31	AR

CONFIDENTIAL

~~CONFIDENTIAL~~

KAM-145B/TSEC

NUMERICAL INDEX

Part No.	Stock No.	Fig. and Index No.	Total Qty. Used	Part No.	Stock No.	Fig. and Index No.	Total Qty. Used	Part No.	Stock No.	Fig. and Index No.	Total Qty. Used	Part No.	Stock No.	Fig. and Index No.	Total Qty. Used
0N008253		1-166	1	0N008340		2A-112	1	0N008375	5355-955-1713	1-55	1	0N008399-1	8210-992-0305	1-58	1
0N008284	5340-966-7063	21-41	1	0N008341		24-17	1	0N008375		18-09	1	0N008399-1		18-62	1
0N008285	5340-966-7064	21-40	1	0N008343	5945-964-3131	17A-2	2	0N008376-1	5935-954-1426	17A-9	2	0N008399-2	6210-992-0306	1-57	1
0N008287		21-2	2	0N008344	5961-993-0706	23-11	2	0N008376-2		1-108	1	0N008399-2		18-61	1
0N008288-1		21-16	1			24-41	2	0N008378	5910-649-2676	17-5	2	0N008402		20-45	1
0N008288-2	5810-966-7065	21-15	1	0N008346	5965-995-9636	18-56	1	0N008384	5910-225-9827	1-86	2	0N008402	5325-819-7378	1-2	2
0N008289-13	5910-816-8523	28-2	1	0N008346		1-88	2	0N008384		20-39	1	0N008403		25-38	2
0N008289-19		26-100B	1	0N008347-1	5910-764-3277	20-40	1	0N008385	5930-861-8873	1-101	1	0N008403	5310-845-7769	1-1	2
0N008292	5940-594-1417	1-77	6	0N008347-2	5910-954-0499	2-122	2	0N008386	5930-961-8874	1-100	1	0N008404	5970-957-6548	25-38	2
0N008297-1		1-108	2			2-121	2	0N008387-4		25-40	AR			2-79	8
0N008300-1	5960-762-3716	2-11	1	0N008348-1	5910-726-9011	2-122	1	0N008388	5340-955-1718	1-3	1	0N008404		2-115	1
0N008300-1		2A-	1	0N008348-1		28-3	1	0N008388		25-39	1	0N008404-1		24-17	4
0N008300-3	6960-762-3748	2-12	3	0N008349	5810-966-7090	21-5	2	0N008389	5945-960-5882	19-21	1	0N008404-1		24-64	5
0N008300-3		2A-	3	0N008349-1		21-5	2	0N008390	5945-884-8239	19-24	1	0N008404-1		2A-105	1
0N008300-4	5960-762-3740	2-14	1	0N008349-2		21-5	1	0N008390		19-24	1	0N008406-2	5340-053-5459	2-139	2
0N008300-4		2A-	1	0N008349-2		21-5	1	0N008391-1	8210-504-2106	1-79	3	0N008406-2		24-9A	1
0N008300-5	5960-762-3744	2-13	2	0N008350	5945-968-3156	7-1	1	0N008391-1		18-64	2	0N008407-5		3-1	28
0N008300-5		2A-	2	0N008351	5961-693-3205	25-8	1	0N008391-1		20-48	1			4-1	1
0N008300-6	5961-078-4931	2-76	1	0N008353-1	5935-061-1389	2-10	1	0N008391-1		24-21	1			5-1	1
0N008300-6		2A-77	1	0N008353-1		2A-10	1	0N008391-2	8210-519-0845	1-80	1			6-1	1
0N008302-1		2-123	1	0N008353-1		23-22	1	0N008391-2		18-65	1			7-3	1
0N008302-2	5330-088-5003	2-122	4	0N008353-2	5945-856-2659	1-96	1	0N008391-2		20-49	1			8-1	1
0N008305-1		19-41	4	0N008353-2		23-21	1	0N008391-3	6210-521-9026	1-81	1			9-1	1
0N008307		23-9B	44	0N008354-1	5905-983-5804	2-33	4	0N008391-3		18-66	1			10-1	1
0N008309-1		19-47	1	0N008354-2		2A-	4	0N008391-3		20-47	1			11-1	1
0N008309-2		19-48	1	0N008354-2	5905-954-3123	2-34	1	0N008392*	6240-683-0560	1-59	7			12-1	1
0N008311	5935-954-1423	23-18	1	0N008355-2		2A-	1	0N008392*		18-63	4			13-1	1
0N008312	5970-962-6981	17A-23	16	0N008357-1	5905-957-1550	2-64	8	0N008392*		20-46	4			14-1	1
0N008315-1	5940-044-6557	19-13	14	0N008357-1		2-91	1	0N008392*		24-21	1			15-1	1
0N008315-2	5940-954-1416	17A-26	33	0N008357-2	5905-957-1546	2-69	2	0N008394-1		18-39	4			16-1	1
0N008315-3	9540-954-1415	2-135	12	0N008357-3	5905-957-1545	2-53	1	0N008394-1		20-25A	4	0N008408-3	5970-955-1722	24-41	2
0N008326	5935-957-2712	18-3	8	0N008357-3		2A-48	1	0N008394-2		2-38	3	0N008410	5970-955-1742	1-84	1
		18-74	1	0N008357-4	5905-957-1547	2-68	3	0N008397		3-1	14	0N008411	5930-955-1722	1-82	2
		18-82	1			2-90	1			4-1	1	0N008411		18-67	2
		18-90	1	0N008357-5	5905-957-1549	2-51	1			5-1	1	0N008411		20-50	1
		22-62	2	0N008357-6		2A-71	1			6-1	1	0N008412-1	5930-988-8871	1-50	1
		2-39	2	0N008358	5905-054-3646	2-57	4			7-3	1	0N008413	5930-501-9128	1-52	1
0N008331-2		18-54	2	0N008359		2-103	1			8-1	1	0N008413		17-10	1
0N008331-4		19-41	4	0N008359	5950-960-5981	2-120	1			9-	1	0N008415	5340-956-1749	1-133	2
0N008333	5325-958-4293	2-4	4	0N008359		2A-108	1			10-1	1	0N008417-1	5935-992-0311	17-25	2
0N008334	5340-963-8035	2-3	4	0N008360	5945-954-8237	2-116	1			11-1	1			18-28	2
0N008336	5930-961-8875	18-70	1	0N008360		2A-111	1			12-1	1			19-34	1
0N008337	5930-961-8870	1-76	1	0N008367	5945-954-4431	7A-10	1			13-1	1	0N008417-2		17-23	1
0N008338	5930-961-8871	1-75	1	0N008367		18-59	1			14-1	1	0N008417-2	5935-992-0309	18-26	1
0N008339	5810-961-7244	1-42	1	0N008367		20-42	1			15-1	1	0N008417-2		18-26	1
0N008340	5950-955-1745	2-133	1	0N008369	5810-053-5500	18-41	1			16-1	1	0N008417-2		20-18	1

*No Substitutes.

~~CONFIDENTIAL~~

~~CONFIDENTIAL~~

NUMERICAL INDEX

Part No.	Stock No.	Fig. and Index No.	Total Qty. Used
0N008417-3	5935-992-0310	17-24	1
0N008417-3		18-25	1
0N008417-3		19-35	1
0N008417-3		24-20	1
0N008417-4	5935-992-0312	17-22	2
0N008417-4		18-27	2
0N008417-4		19-33	1
0N008418-1	5940-846-6461	17-16	1
0N008418-2	5940-846-6459	17-15	2
0N008418-3	5940-998-7977	17-17	3
0N008419-2	5930-956-3357	1-83	1
0N008419-2		18-68	1
0N008419-2		24-22	1
0N008422-1	5935-818-5725	1-91	1
0N008422-1		18-24	1
0N008422-1		20-15	1
0N008422-1		26-37	1
0N008422-2	5935-786-8506	17-19	2
0N008422-3	5935-813-4080	17-18	6
0N008422-3		18-21	6
0N008422-3		19-32	3
0N008422-3		20-14	1
0N008423	5930-552-9587	1-51	1
0N008429	5920-954-7270	17A-11	1
0N008432-1		20-32	1
0N008433	5995-064-0770	18-9	AR
0N008436	5810-955-1761	1-97	1
0N008439	5940-810-9080	18-10	3
0N008439		20-3	3
0N008442	5940-854-3128	17A-25	4
0N008442		18-35	6
0N008442		19-41	2
0N008442		26-16	19
0N008443-1	5915-922-0315	17-8	2
0N008443-2	5915-992-0314	17-6	2
0N008443-2		26-27	2
0N008443-3	5915-992-0313	18-34	6
0N008443-3	5915-992-0313	19-40	3
0N008443-3	5915-992-0313	20-22	1
0N008443-3		26-29	6
0N008443-4		17-7	11
0N008443-5	5995-051-3997	26-27	2
0N008444-1	5905-913-2220	2A-121	1
0N008444-3	5905-904-1237	2A-119	1
0N008444-4	5905-903-4568	2A-124	1

Part No.	Stock No.	Fig. and Index No.	Total Qty. Used
0N008444-5	5905-903-4569	2A-123	1
0N008444-6	5905-913-2219	2A-120	1
0N008444-7		2-126	2
		2-130	1
		2A-126	1
0N008446	5915-992-0316	1-80	1
0N008449-1	5940-204-8023	26-15	4
0N008449-2	5940-279-5496	17-28	2
0N008455-5		2-138	3
0N008463		1-132	14
0N008468		1-165	1
0N008469	5905-966-7092	1-40	7
0N008474-1	5975-660-6112	18-5	38
		18-75	1
		18-83	1
		18-91	1
		23-60	4
0N008474-2	5935-954-8238	1-151	3
		1-157	1
		1-184	1
0N008474-3	5935-683-5511	23-73	4
		22-80	1
0N008474-3		24-33	2
0N008480-3		2A-75	1
0N008482	5935-992-0345	1-152	1
0N008484-2		1-132	28
		1-132B	1
0N008484-2		25-35	2
0N008490	5810-974-5865	7A-31	2
0N008502-3	5975-078-2154	23-1	1
0N008505-1		17-22C	1
		18-12	1
0N008505-2		17-25C	1
		18-12	1
0N008505-3	5935-992-0303	18-12	1
0N008505-4	5935-992-0304	18-12	2
0N008505-5	5935-992-0302	22-78	1
0N008505-6	5935-088-8018	22-11	1
0N008505-6		19-7A	1
0N008505-6		22-17	1
0N008505-6		24-27	3
0N008505-11		18-12	1
0N008505-13		18-2	19
		18-73	1

Part No.	Stock No.	Fig. and Index No.	Total Qty. Used
0N008505-14		18-81	19
		18-89	1
		18-1	1
		18-72	1
		18-80	1
		18-88	1
0N008506		1-125	28
0N008507-10	5975-989-7497	18-19	1
0N008507-11	5975-993-5584	18-15	1
0N008507-11		20-8	1
0N008507-12	5975-989-7501	18-20	1
0N008507-12		20-12	1
0N008507-13	5975-954-2160	18-15	1
0N008507-14	5975-989-7498	18-16	1
0N008507-15	5975-993-5592	18-20	1
0N008507-16	5975-993-5586	18-20	1
0N008507-17	5975-993-5586	18-15	1
0N008507-18	5975-852-8631	18-16	1
0N008507-19	5975-058-0295	19-4	1
0N008507-2		1-154	1
0N008507-20		19-5	1
0N008507-21	5975-076-7536	19-3	1
0N008507-22	5975-076-7528	19-6	1
0N008507-23	5975-045-7427	19-7	1
0N008507-24	5975-993-5593	18-9	1
0N008507-25	5975-993-5587	18-8	1
0N008507-26	5975-993-5588	18-6	1
0N008507-27	5975-993-5589	18-7	1
0N008507-28	5975-993-5595	18-17	1
0N008507-29	5975-993-5590	18-18	1
0N008507-30	5975-993-5582	18-16	1
0N008507-30		20-9	1
0N008507-31	5975-993-5583	18-17	1
0N008507-31		20-10	1
0N008507-32	5975-989-7500	18-17	1
0N008507-33	5975-993-5594	18-18	1
0N008507-38		22-3	1
0N008507-4		1-156	1
0N008507-41		22-11	1
0N008507-44		22-12	1
0N008507-45		22-14	1
0N008507-47		22-19	1
0N008507-48		22-18	1
0N008507-49		22-20	1
0N008507-5		1-162	1
0N008507-51		22-25	1

Part No.	Stock No.	Fig. and Index No.	Total Qty. Used
0N008507-52		22-24	1
0N008507-53		22-26	1
0N008507-56		22-30	1
0N008507-57		22-32	1
0N008507-60		22-37	1
0N008507-61		22-40	1
0N008507-64		22-45	1
0N008507-65		22-47	1
0N008507-68		22-51	1
0N008507-69		22-53	1
0N008507-7	5975-993-5579	1-160	1
0N008507-72		22-57	1
0N008507-73		22-59	1
0N008507-75		22-65	1
0N008507-76		22-64	1
0N008507-77		22-66	1
0N008507-79		22-69	1
0N008507-8		18-19	1
0N008507-8		20-11	1
0N008507-80		22-70	1
0N008507-81		22-68	1
0N008507-83	5975-058-0293	22-77	1
0N008507-84	5975-058-0294	22-75	1
0N008507-85	5975-225-8730	22-76	1
0N008507-86	5975-225-8729	22-82	1
0N008507-87	5975-225-8728	22-84	1
0N008507-88	5975-225-8731	22-83	1
0N008507-89	5975-078-3862	1-155	1
0N008507-9	5975-989-7499	18-19	1
0N008507-90	5975-078-3853	1-161	1
0N008507-92		22-8	1
0N008507-97		22-39	1
0N008507-101		18-79	1
0N008507-102		18-87	1
0N008507-103		18-78	1
0N008507-104		18-86	1
0N008507-106		18-77	1
0N008507-106		18-85	1
0N008507-107		18-76	1
0N008507-108		18-84	1
0N008507-109		18-95	1
0N008507-110		18-94	1
0N008507-111		18-93	1
0N008507-112		18-92	1
0N008507-113		24-23	1
0N008507-114		24-24	1

~~CONFIDENTIAL~~

CONFIDENTIAL

KAM-145B/TSEC

NUMERICAL INDEX

Part No.	Stock No.	Fig. and Index No.	Total Qty. Used
0N008507-115		24-28	1
0N008507-116		24-34	1
0N008507-117		24-36	1
0N008507-118		24-29	1
0N008507-119		24-35	1
0N008507-124		23-27	1
0N008507-125		23-28	1
0N008507-126		23-26	1
0N008507-127		22-65	1
0N008507-128		22-64	1
0N008507-129		22-66	1
0N008507-130		18-79	1
0N008507-131		18-78	1
0N008507-132		18-77	1
0N008507-133		18-76	1
0N008507-134		18-87	1
0N008507-135		18-86	1
0N008507-136		18-85	1
0N008507-137		18-84	1
0N008507-138		18-86	1
0N008507-139		18-86	1
0N008507-140		18-85	1
0N008507-141		18-84	1
0N008507-142		18-87	1
0N008507-143		18-86	1
0N008507-144		18-85	1
0N008507-145		18-84	1
0N008507-146		18-87	1
0N008507-147		18-86	1
0N008507-148		18-85	1
0N008507-149		18-84	1
0N008507-150		18-87	1
0N008507-151		18-86	1
0N008507-152		18-85	1
0N008507-153		18-84	1
0N008507-154		18-9	1
0N008507-155		18-7	1
0N008507-156		18-6	1
0N008507-157		18-9	1
0N008507-158		18-9	1
0N008507-159		18-8	1
0N008507-160		18-7	1
0N008507-161		18-6	1
0N008507-162		18-9	1
0N008507-163		18-8	1
0N008507-164		18-7	1

Part No.	Stock No.	Fig. and Index No.	Total Qty. Used
0N008507-165		18-6	1
0N008507-166		18-94	1
0N008507-167		18-94	1
0N008507-168		18-93	1
0N008507-169		18-92	1
0N008507-170		18-95	1
0N008507-171		18-94	1
0N008507-172		18-93	1
0N008507-173		18-92	1
0N008507-174		18-95	1
0N008507-175		18-94	1
0N008507-176		18-93	1
0N008507-177		18-92	1
0N008507-178		18-95	1
0N008507-179		18-94	1
0N008507-180		18-93	1
0N008507-181		18-92	1
0N008507-182		18-95	1
0N008507-183		18-94	1
0N008507-184		18-93	1
0N008507-185		18-92	1
0N008507-186		18-95	1
0N008507-187		18-94	1
0N008507-188		18-93	1
0N008507-189		18-92	1
0N008507-190		26-50	1
0N008507-191		26-53	1
0N008507-192		26-56	1
0N008507-193		26-58	1
0N008507-194		26-59	1
0N008507-195		26-66	1
0N008507-196		26-68	1
0N008507-197		26-70	1
0N008507-198		26-72	1
0N008507-199		26-74	1
0N008507-200		26-78	1
0N008507-201		26-78	1
0N008507-202		26-80	1
0N008507-203		26-86	1
0N008507-204		26-88	1
0N008507-205		26-84	1
0N008507-206		26-61	1
0N008507-207		26-62	1
0N008507-208		26-90	1
0N008507-209		26-92	1
0N008507-210		26-82	1

Part No.	Stock No.	Fig. and Index No.	Total Qty. Used
0N008507-211		26-84	1
0N008507-212		26-83	1
0N008507-213		26-91	1
0N008507-214		26-51	1
0N008507-215		26-54	1
0N008507-216		26-57	1
0N008507-217		26-67	1
0N008507-218		26-71	1
0N008507-219		26-75	1
0N008507-220		26-79	1
0N008507-221		26-87	1
0N008507-222		26-63	1
0N008512		5999-966-7093	17-3
0N008514		5315-966-7095	23-13
0N008516		5340-966-7098	23-9E
0N008517		5810-966-7097	23-9
0N008518		5810-963-4141	23-6
0N008519		5810-966-7098	23-19A
0N008520		5810-070-0714	23-10
0N008527		5995-963-4134	23-5
0N008528			2-75
0N008530		5995-966-7100	23-19
0N008531		5995-966-7101	17A-
0N008532		5340-599-4101	23-4
0N008537			23-9F
0N008539-2		5810-017-9168	18-74A
			18-82A
			18-90A
0N008539-2			22-61A
0N008539-3			22-61A
0N008540-2		5810-017-9169	18-4A
0N008540-2			18-74B
			18-82B
			18-90B
0N008540-2			22-61
0N008540-3			22-61
0N008541		5810-966-7102	23-15
0N008542		5930-954-3126	23-16
0N008543		5810-965-1736	2-
0N008544		5810-965-1732	2-
0N008545		5810-966-7103	23-14
0N008546			2A-
0N008548		5810-056-4205	21-4
0N008550		5810-966-7104	21-6
0N008554		5810-966-7106	21-1
0N008556		9905-966-7106	21-6

Part No.	Stock No.	Fig. and Index No.	Total Qty. Used
0N008556		5810-966-7107	21-14
0N008557		5960-964-8922	2-57
0N008557			2A-26
0N008558			2-93
0N008561		5810-966-7108	1-4A
0N008563		5810-966-7109	21-17
0N008564		5340-966-7067	21-4
0N008565		5810-966-7110	21-24
0N008566		5810-966-7111	21-25
0N008567-1		5810-966-7112	21-20
0N008567-2		5810-966-7113	21-21
0N008568		5810-050-8922	17A-9
0N008569-1		5810-966-7114	21-19
0N008569-2		5810-966-7115	21-18
0N008570			21-4
0N008571		5810-966-1456	21-17
0N008572-1			1-99
0N008572-4			16-12
0N008575		5810-966-7116	9-4A
0N008579			1-87
0N008582			19-19
0N008585		5999-066-8001	18-41
0N008596			20-28A
0N008598		5999-066-7997	2-5
0N008598			2A-5
0N008599		5810-066-7998	2-6
0N008599			2A-6
0N008602		5810-066-8071	2-
0N008602			2A-
0N008604-1			16-12
0N008609		5810-060-6351	21-45
0N008613		5810-078-3902	1-
0N008614			21-47
0N008615		5810-971-1435	1-142
0N008616		5810-974-5967	17A-24
0N008618			23-17
0N008627			1-4
0N008633		5999-014-1961	20-20
0N008635-2			26-34
0N008638		5810-078-4576	1-41
0N008649		5810-974-5968	17A-30
0N008653			19-46
0N008654		5810-073-2962	16-7
0N008659			16-12
0N008660			16-12

CONFIDENTIAL

NUMERICAL INDEX

Part No.	Stock No.	Fig. and Index No.	Total Qty. Used	Part No.	Stock No.	Fig. and Index No.	Total Qty. Used	Part No.	Stock No.	Fig. and Index No.	Total Qty. Used	Part No.	Stock No.	Fig. and Index No.	Total Qty. Used
0N008663		2A-16	4	0N008719	5810-944-3838	2A-1	1	0N008758-1	5810-910-8680	2A-118	1	0N008877	5810-923-1887	25-37	4
0N008663		2A-36	8	0N008721	5995-789-1008	24-	1	0N008758-2	5810-909-2800	2A-117	1	0N008882	5810-944-0984	25-34A	1
0N008663	5970-909-2798	2A-94	1	0N008723	5995-869-2059	24-	1	0N008764	5810-971-1440	2A-113	1	0N008883	5810-925-3832	25-37	1
0N008669	5810-906-5812	2B-17	2	0N008726-2	5810-923-1894	1-	1	0N008766	5810-889-7810	1-103	1	0N008884	5995-900-0301	25-31	AR
0N008670		2A-107	1	0N008727		25-	1			17-				25-37	
0N008671	5810-906-5811	2A-	1	0N008729	5810-948-9283	25-41A	1	0N008769	5810-909-2795	1B-97	1	0N008885	5995-900-0312	25-32	AR
0N008672		2A-79	1	0N008739-1		25-1	2	0N008780	5810-971-1429	24-40	1	0N008900	5810-936-4065	26-	1
0N008673-1		25-40	AR	0N008739-2		25-2	2	0N008790	5810-909-2797	2A-	1	0N008901		26-101	1
0N008673-2		25-40	AR	0N008739-3		25-3	2	0N008790-1		2A-23	1	0N008910		26-48	1
0N008674-1		2A-67	5	0N008739-4		25-4	2	0N008791-1		2A-	1	0N008912	5995-051-2743	26-49	1
0N008674-2		2A-82	2	0N008739-5		25-5	2	0N008793	5810-900-0300	25-37D	1	0N008913	5995-051-2744	26-52	1
0N008674-3		2A-69	2	0N008739-6		25-6	2	0N008797	5995-923-1895	25-36	1	0N008914	5995-051-2745	26-55	1
0N008674-4		2A-96	2	0N008739-8		25-7	2	0N008798	5995-923-1898	25-31	1	0N008915	5995-051-2747	26-60	1
0N008674-5		2A-110	1	0N008739-9		25-8	2	0N008799	5995-923-1899	25-33	1	0N008916	5995-051-2752	26-65	1
0N008674-6		2A-60	3	0N008739-10		25-9	2	0N008800	5995-923-1900	25-32	1	0N008917	5995-052-9253	26-69	1
0N008674-7		2A-57	1	0N008739-11		25-10	2	0N008803		23-13A	1	0N008918	5995-051-2753	26-73	1
0N008674-9		2A-41	1	0N008739-12		25-11	2	0N008811	5810-944-0989	25-42	1	0N008919	5995-051-3974	26-77	1
0N008674-9		2A-109	1	0N008739-13		25-12	2	0N008812	5810-060-6355	25-42	2	0N008920	5995-051-3976	26-81	1
0N008674-10		2A-74	1	0N008739-14		25-13	2	0N008813		25-43	1	0N008921	5995-051-3978	26-85	1
0N008674-13		2A-72	1	0N008739-15		25-14	2	0N008814	5315-060-6357	25-42	1	0N008922	5995-051-3981	26-89	1
0N008676		2A-52	4	0N008739-16		25-15	2	0N008815	5810-060-6361	25-42	1	0N008924	5995-051-3982	26-10	AR
0N008681-2	5810-974-5869	2A-81	1	0N008739-17		25-16	2	0N008816	5810-060-6362	25-43	1	0N008925-1		26-24	2
0N008682	5970-981-6598	2A-114	1	0N008739-18		25-17	2	0N008817		25-43	1	0N008925-2		26-17	3
0N008698	5970-904-1238	2A-27	14	0N008739-19		25-18	2	0N008818		25-43	1	0N008926	5905-051-3986	26-12	AR
0N008699	5330-904-1236	3A-28	7	0N008739-20		25-19	2	0N008820	5120-925-1934	25-43	1	0N008927	5995-051-3987	26-11	AR
0N008700		1-150	1	0N008739-21		25-20	2	0N008831	5305-945-5488	25-37C	2			28-	
0N008701	5810-902-0892	1-132B	1	0N008739-22		25-21	2	0N008832	5310-925-3935	25-37C	2	0N008930-1		26-2A	1
0N008702	5810-900-0292	1-132A	1	0N008739-23		25-22	2	0N008836		25-30	30	0N008930-2		26-2	1
0N008703	5810-971-1439	1-145	1	0N008739-24		25-23	2	0N008838	5810-923-1891	25-37C	2	0N008931-1		26-1A	1
0N008704	5810-761-0196	1-132C	28	0N008739-25		25-24	2	0N008841	5810-923-1889	25-37A	1	0N008931-2		26-1	1
0N008705-1		1-	1	0N008739-26		25-25	2	0N008842	5810-923-1893	25-34	61	0N008932-1		26-4	1
0N008705-2		1-	1	0N008739-27		25-26	2	0N008844	5995-999-3306	1-119	1	0N008932-2		27-17	1
		1-	1	0N008739-28		25-26	2	0N008846		1-119	1	0N008933		26-96	2
		1-144	2	0N008739-29		25-29	2	0N008851		16-4	1	0N008935-1		26-18	4
0N008711	5340-904-1234	1-145	4	0N008739-30		25-30	2	0N008854		1-119	1	0N008935-2		26-19	3
0N008712	5340-904-1235	1-145	4	0N008742-1		25-	1	0N008856	5995-935-0275	21-	1			26-96A	
0N008715		2A-19	1	0N008742-2		25-	1			22-59		0N008935-3		26-20	1
0N008716-1		2A-	1	0N008743	5120-925-1932	25-42	1	0N008859		25-34	183	0N008937		25-18	1
0N008716-2		2A-	1	0N008744	5810-900-0296	25-35	1			25-37		0N008940	5810-051-3994	26-3	1
0N008717-1		2A-	1	0N008745	5935-925-3836	25-34	1	0N008861		24-40	2	0N008941	5995-051-3995	26-6	1
0N008717-2	5810-758-7040	2A-	1	0N008746	5810-073-2953	16-8	1	0N008863		21-39A	1	0N008942	5810-051-3996	26-5	1
0N008717-3		2A-	1	0N008748	5810-923-1886	25-37	2	0N008865	5810-944-3837	25-34A	2	0N008949		26-33	8
0N008717-4		2A-	1	0N008751	5810-974-5870	2A-115	4	0N008867		26-35	1	0N008950		26-34	1
0N008718	5810-974-5872	2A-2	1	0N008756	5810-945-1859	2A-42	1	0N008874	5315-346-7339	25-37	4	0N008951		26-28	1

Subject Matter	Effective Pages	Page Numbers (Inclusive)
Front Cover	ORIGINAL	Unnumbered (Reverse Blank)
Record of Amendments	ORIGINAL	1 Reverse (Page 2) Blank
Record of Page Checks	ORIGINAL	1 Reverse (Page 2) Blank
Introduction	ORIGINAL	3-5 Reverse (Page 6) Blank
List of Illustrations	ORIGINAL	7
Group Assembly Parts List	ORIGINAL	8-81 Reverse (Page 82) Blank
Numerical Index	ORIGINAL	83-95 Reverse (Page 96) Blank
List of Effective Pages	ORIGINAL	97 Reverse (Page 98) Blank
Back Cover	ORIGINAL	Unnumbered (Reverse Blank)

R

~~CONFIDENTIAL~~

ORIGINAL 97
 Reverse (Page 98) Blank
52 Feb 68-13-3782

~~CONFIDENTIAL~~

KAM-145B/TSEC

LIST OF EFFECTIVE PAGES

BLANK pages are not indicated in the "Page Numbers" column when they fall within a group listing of page numbers. However, *all* BLANK pages in the publication are accounted for by means of the notation "Reverse (Page____) Blank" printed in the lower right-hand corner of each page immediately preceding the BLANK page.