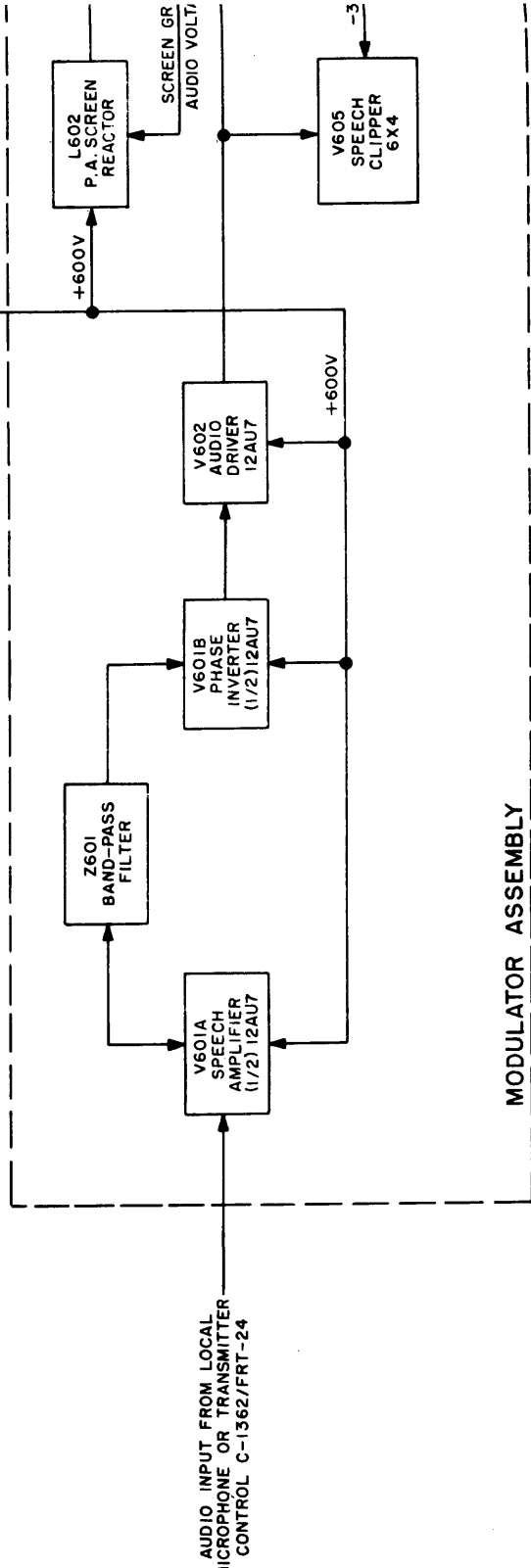
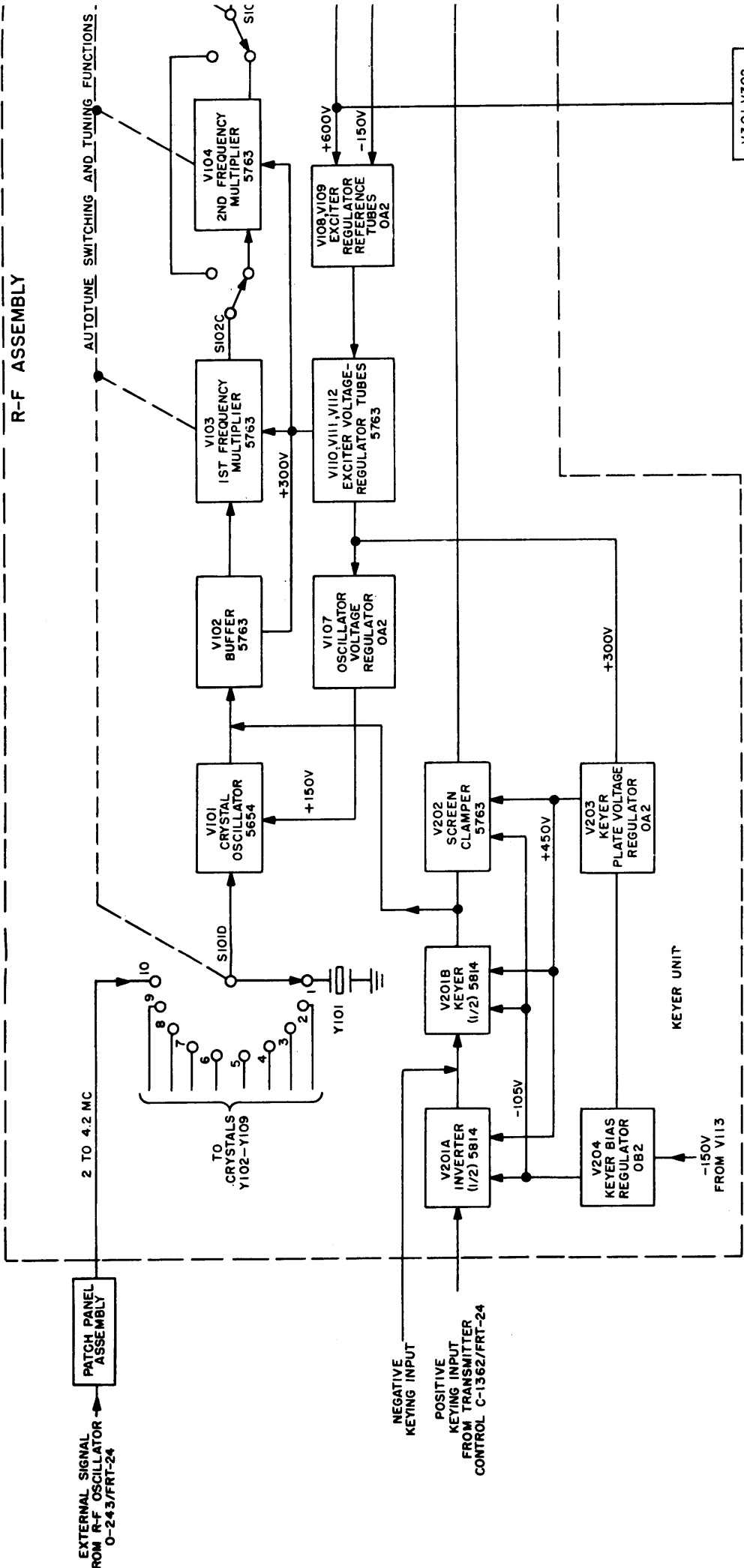
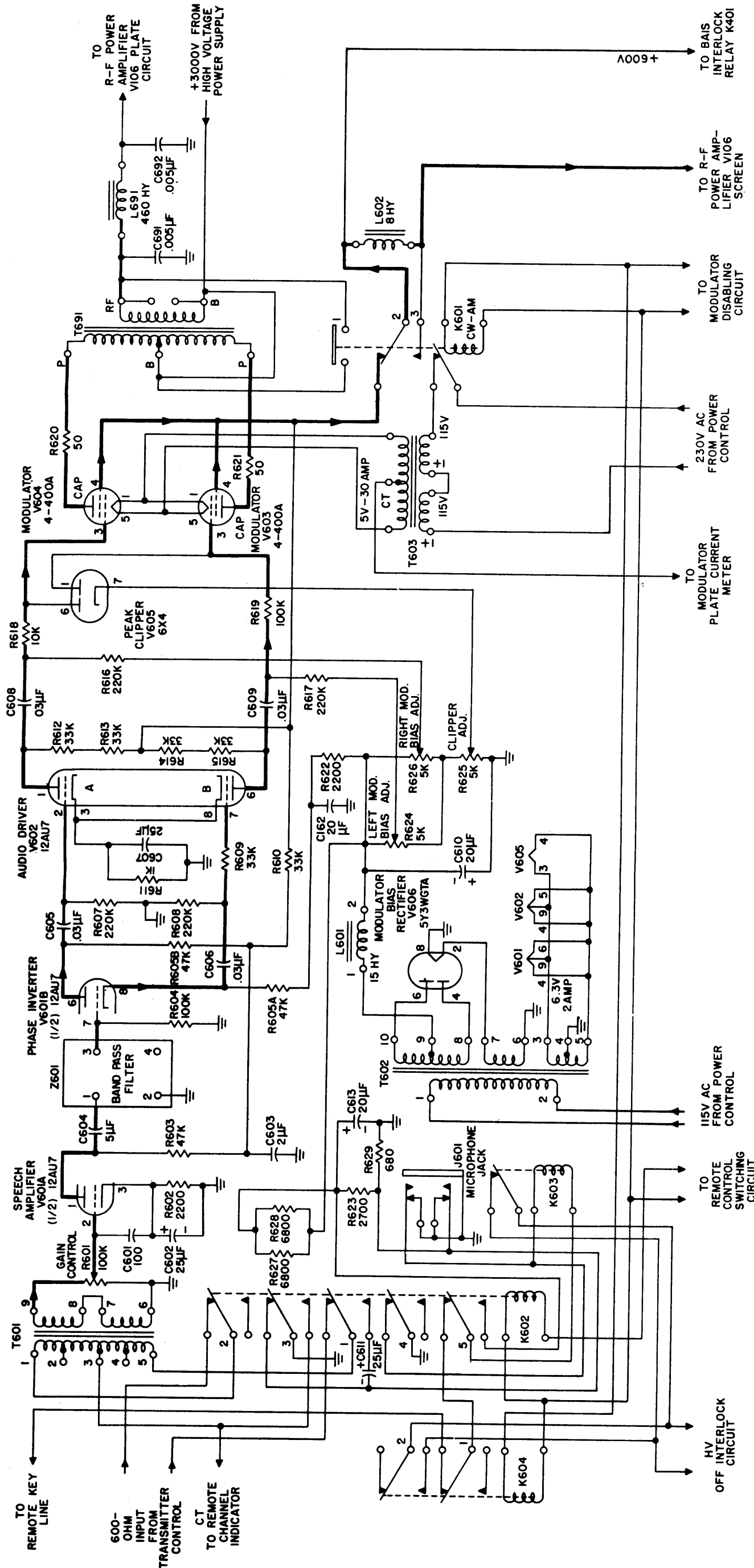


Figur 2-2. Radi Transmitter T-440/FRT-24, Block Diagram

ORIGINAL

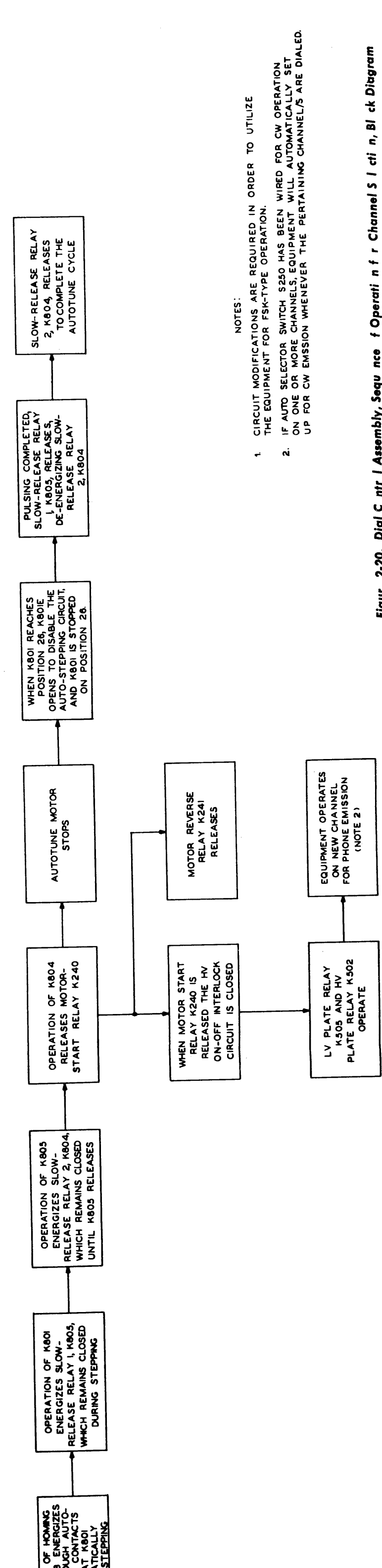
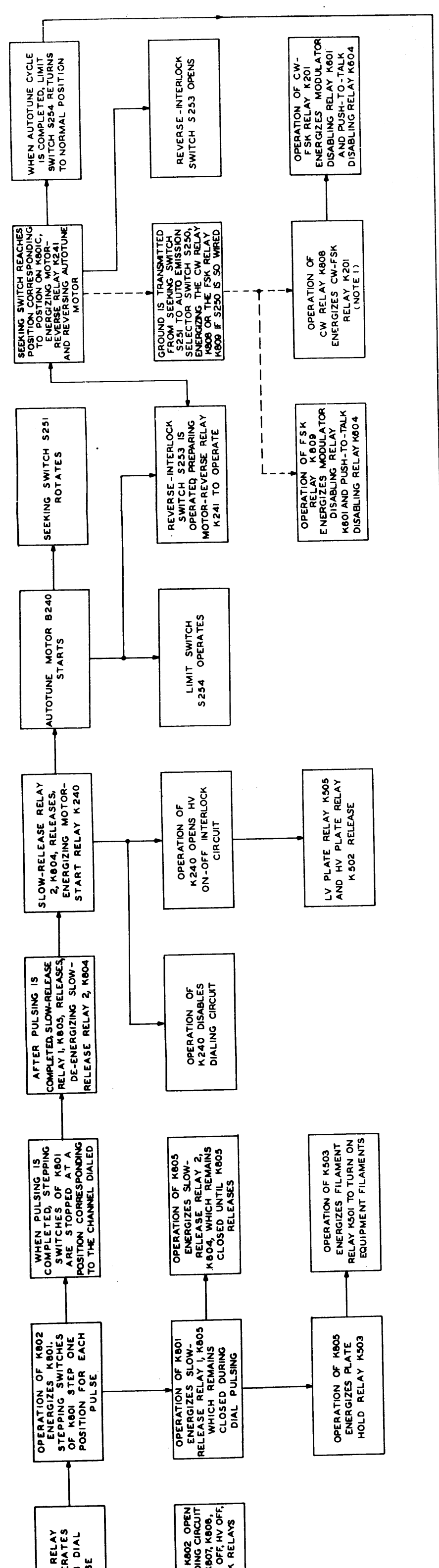
R-F ASSEMBLY





Figur 2-18. Modulator Assembly, Simplified Schematic

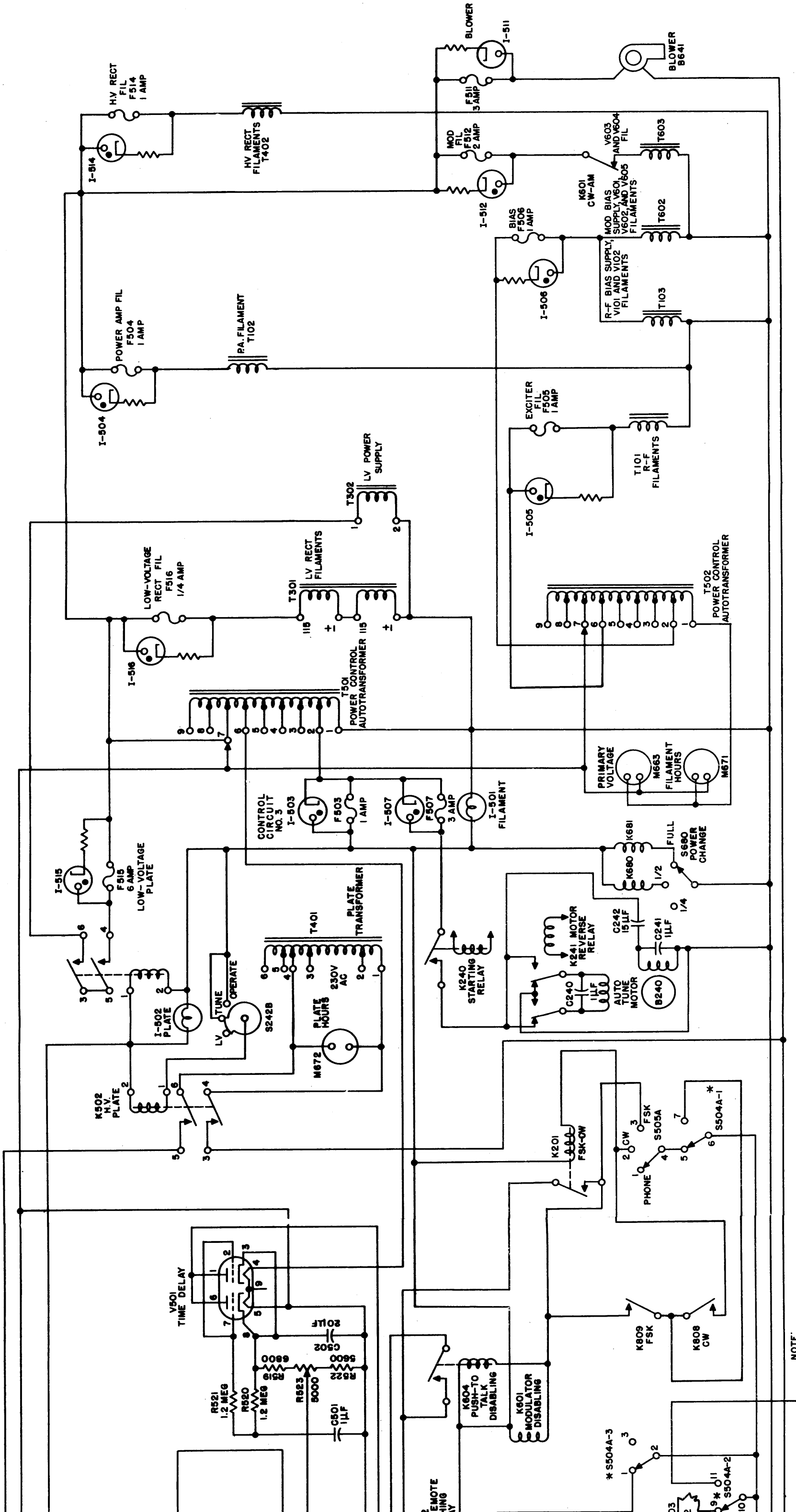
ORIGINAL



NOTES:

1. CIRCUIT MODIFICATIONS ARE REQUIRED IN ORDER TO UTILIZE THE EQUIPMENT FOR FSK-TYPE OPERATION.
2. IF AUTO SELECTOR SWITCH S250 HAS BEEN WIRED FOR CW OPERATION ON ONE OR MORE CHANNELS, EQUIPMENT WILL AUTOMATICALLY SET UP FOR CW EMISSION WHENEVER THE PERTAINING CHANNEL/S ARE DIALED.

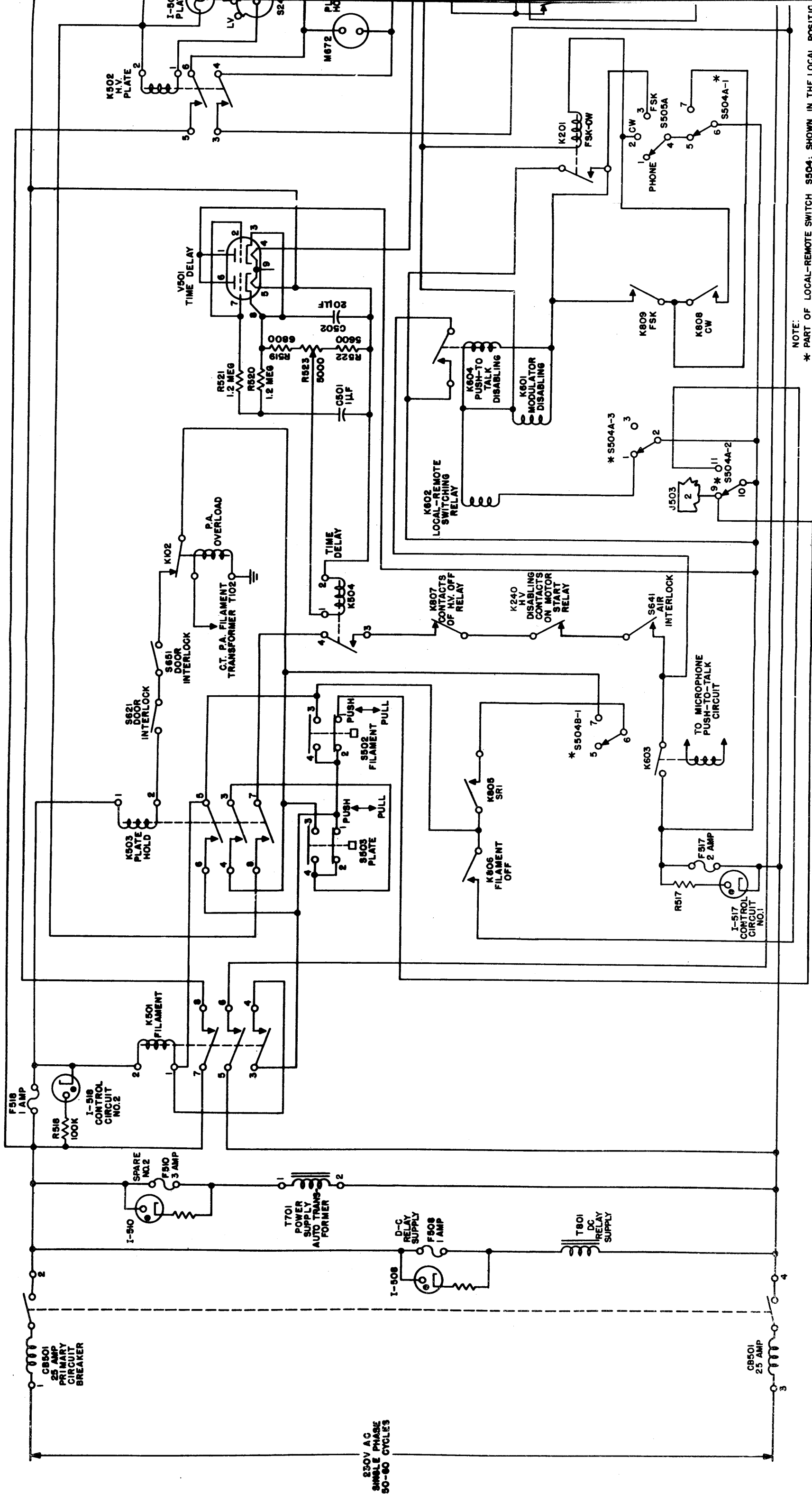
Figur 2-20. Dial C ntr l Assembly, Sequ nce f Operati n f r Channel S l cti n, Bl ck Diagram
ORIGINAL



NOTE:
 * PART OF LOCAL-REMOTE SWITCH S504; SHOWN IN THE LOCAL POSITION.
 * ALL RELAYS ABOVE ARE IN DE-ENERGIZED POSITION.

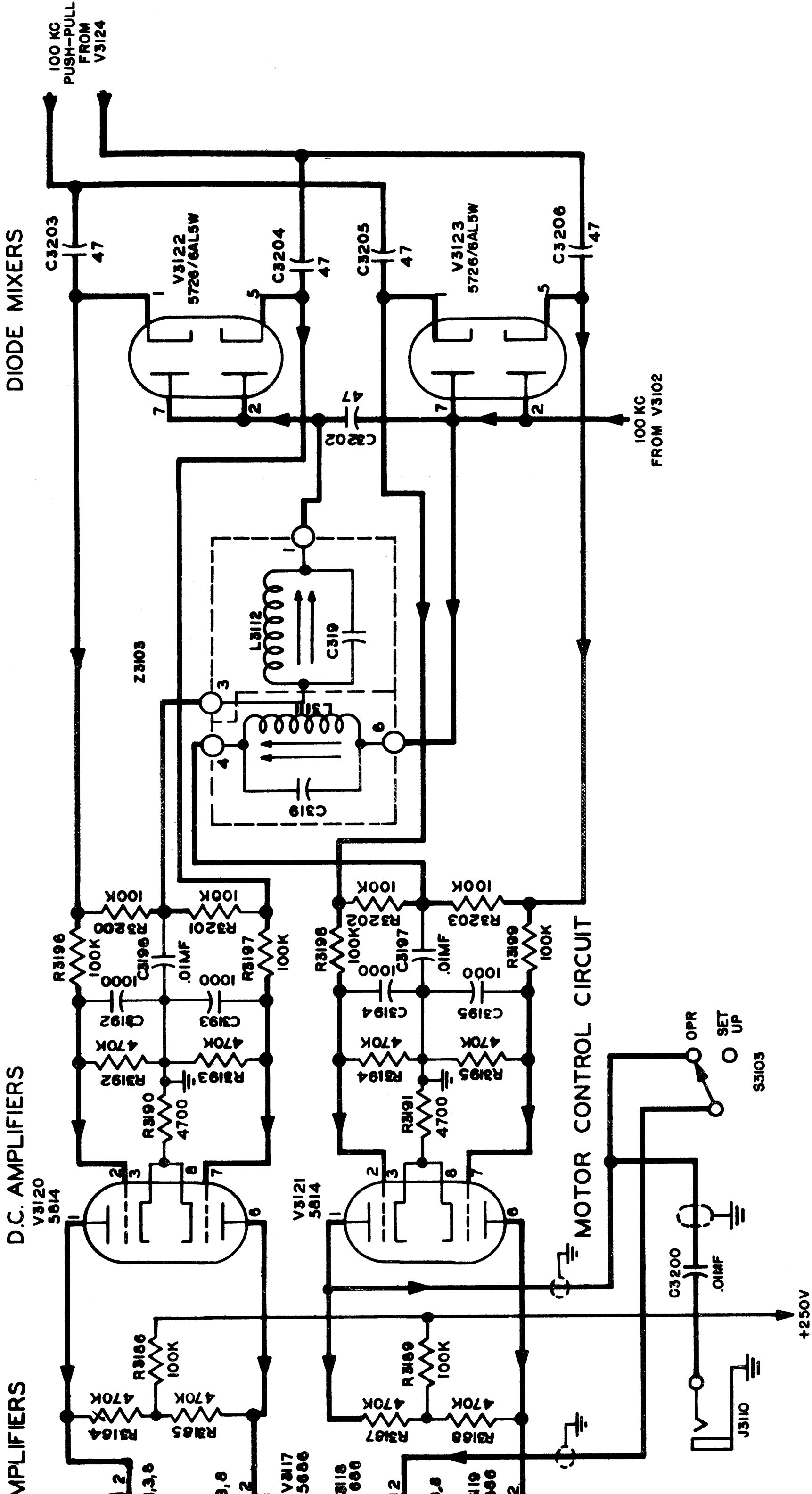
Figur 2-23. P w r c ntr l Assembly with Ass ciated Circuits, Simplified Schematic

ORIGINAL



NOTE:

* PART OF LOCAL-REMOTE SWITCH S504; SHOWN IN THE LOCAL POSITION
 * ALL RELAYS ABOVE ARE IN DE-ENERGIZED POSITION.

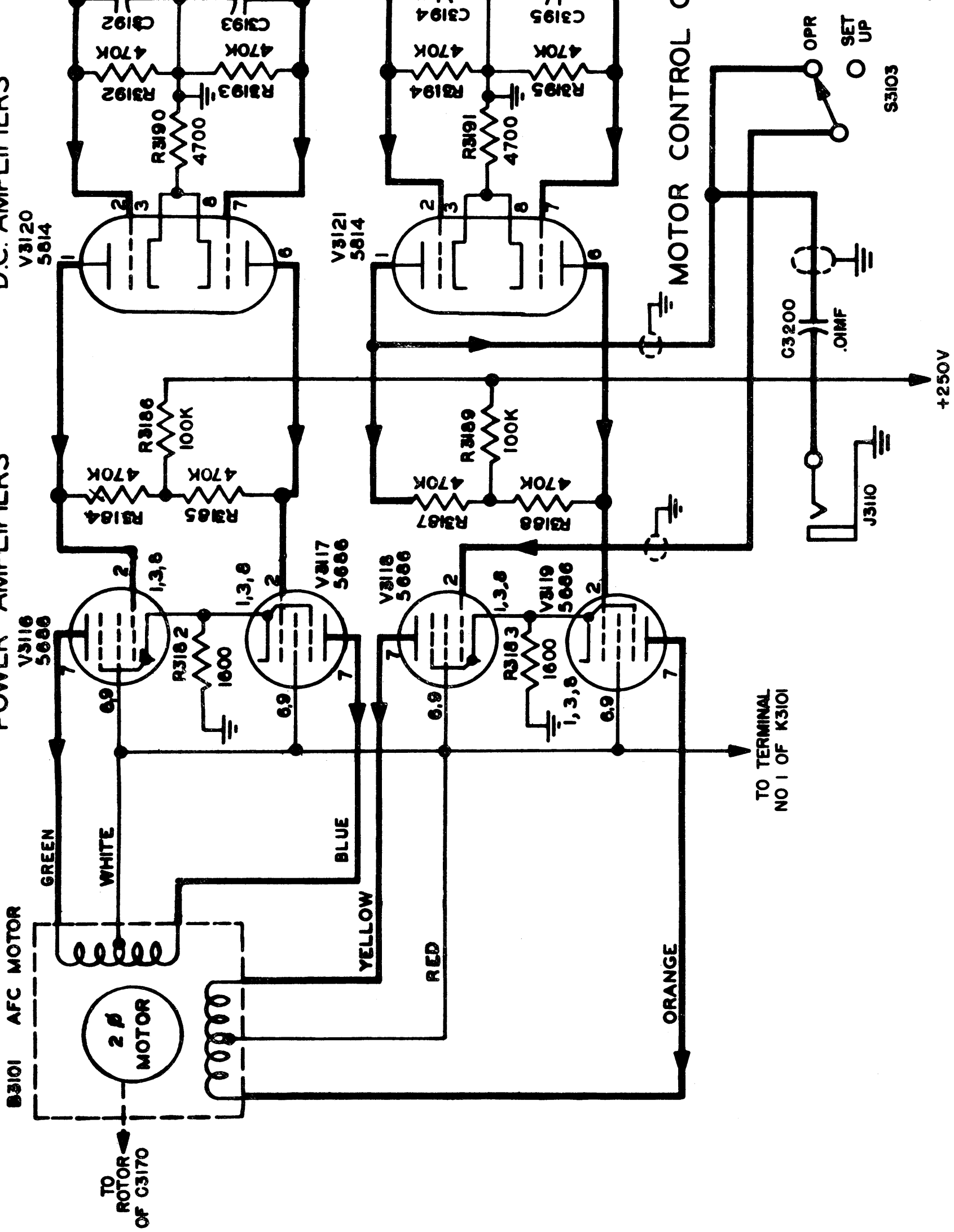


Figur 2-44. A-F-C M r C ntr I Circuit, Simplified Sch matic

ORIGINAL

D.C. AMPLIFIERS

POWER AMPLIFIERS



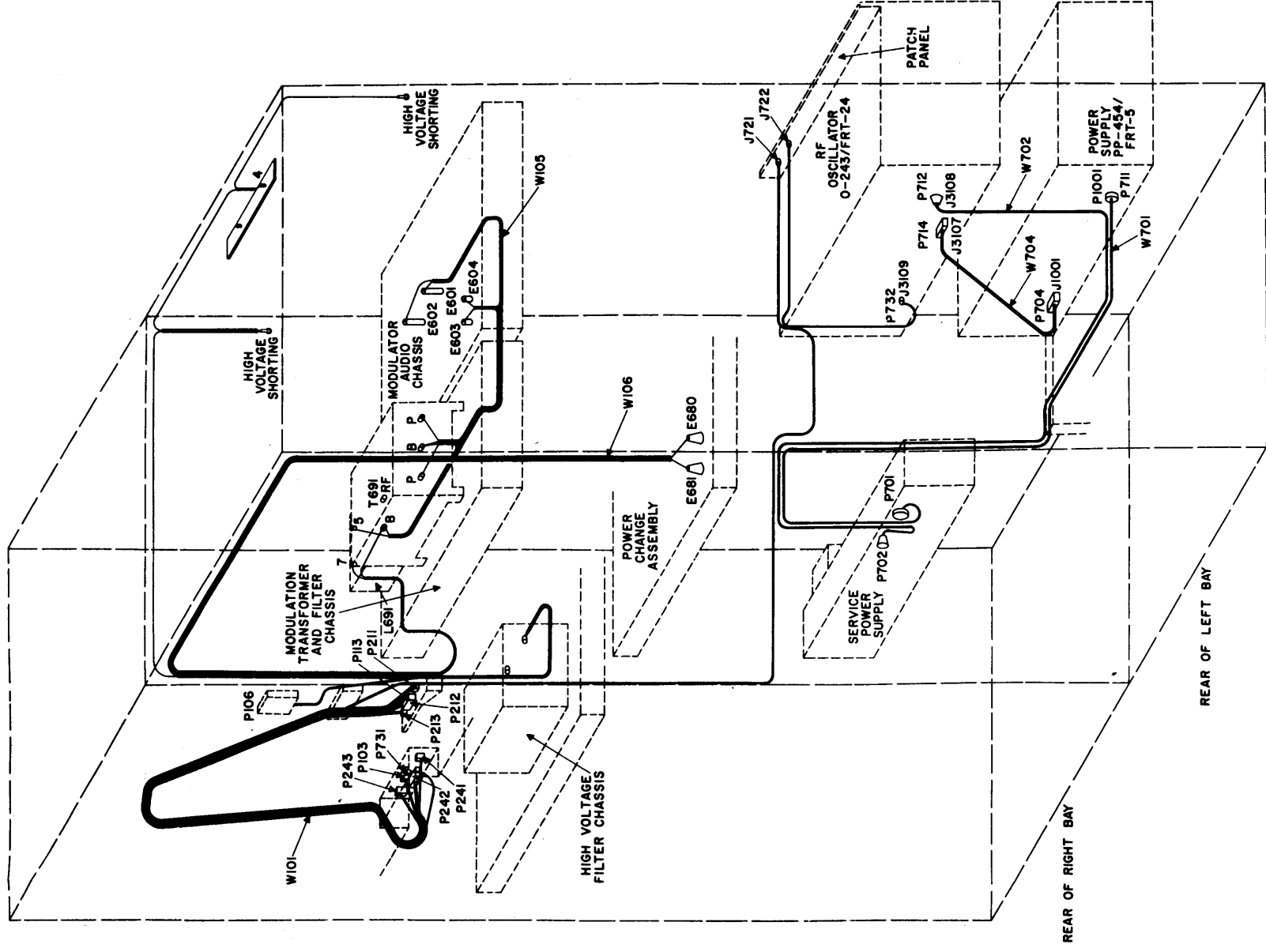
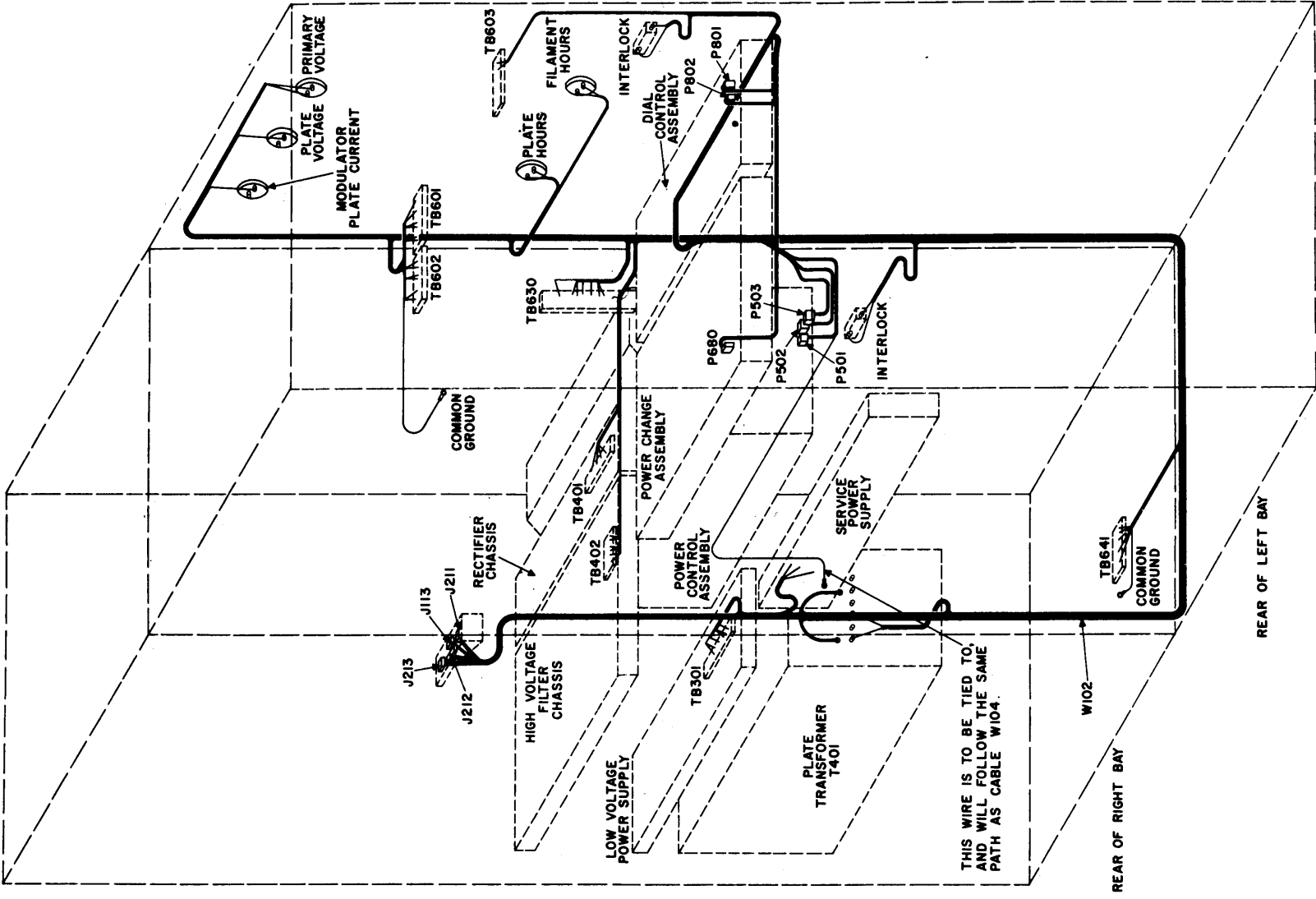
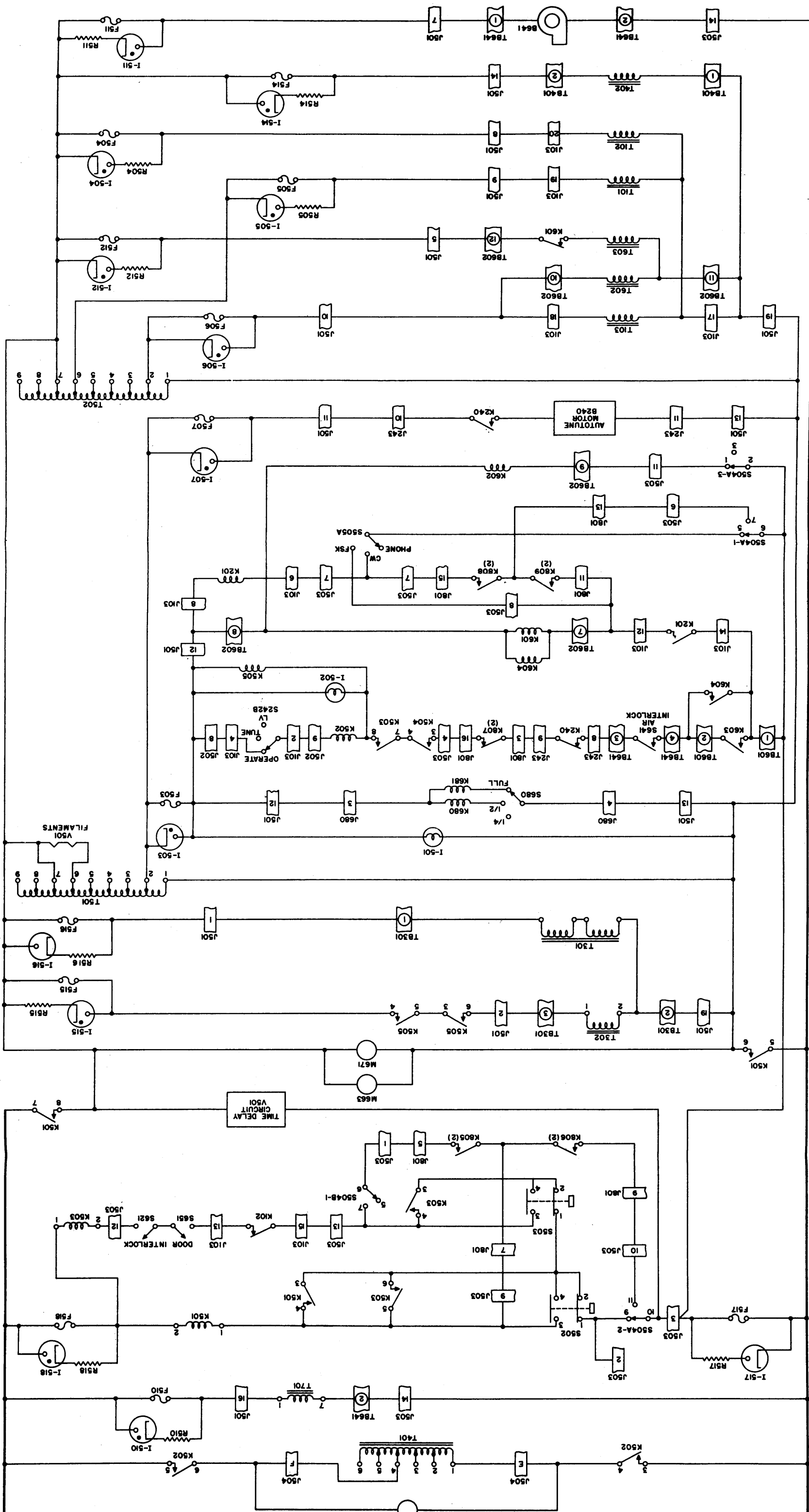


Figure 3-12. Transmitter Cabinet Fram Cabling Diagram

ORIGINAL

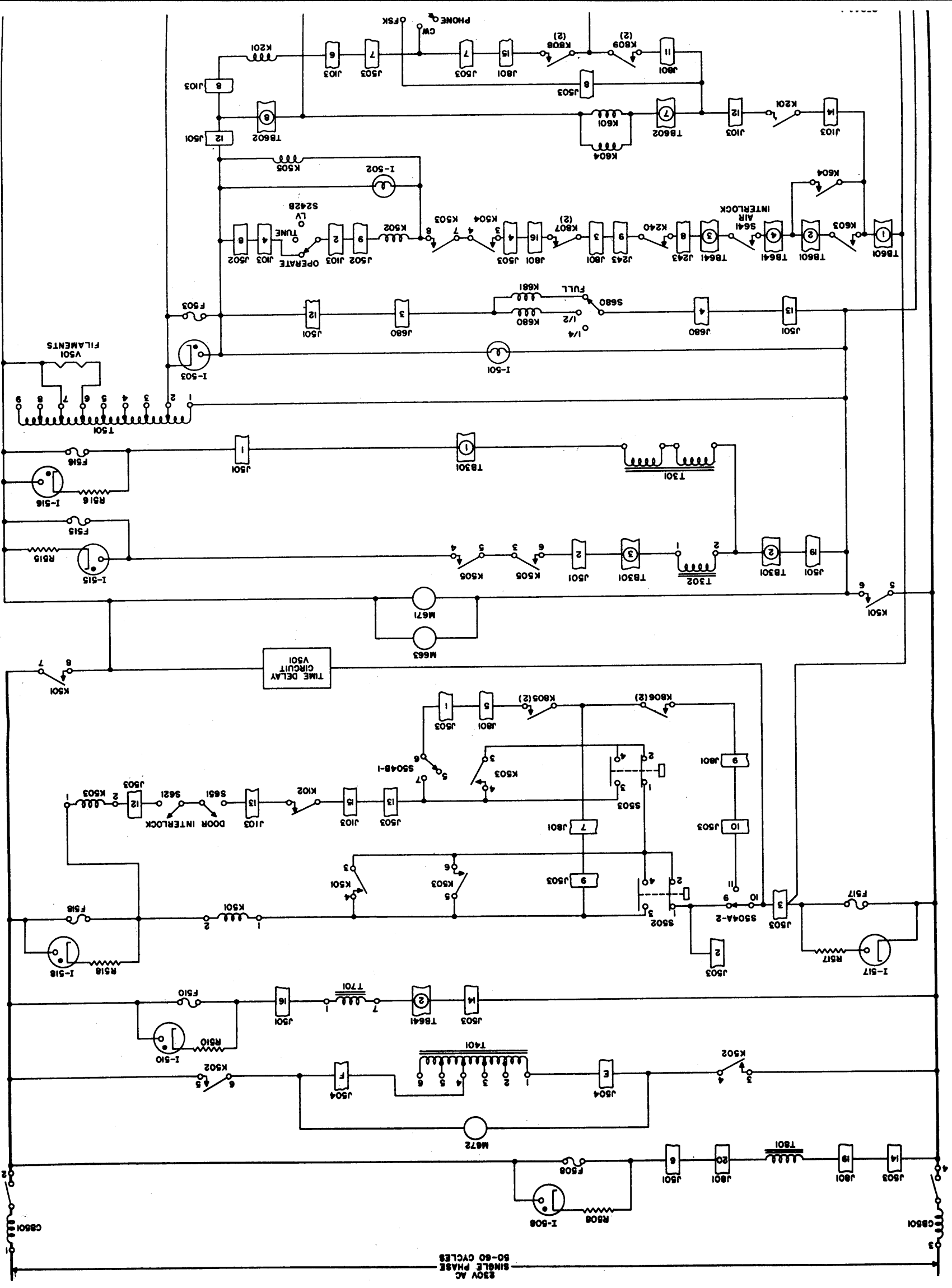
3-23-3-24



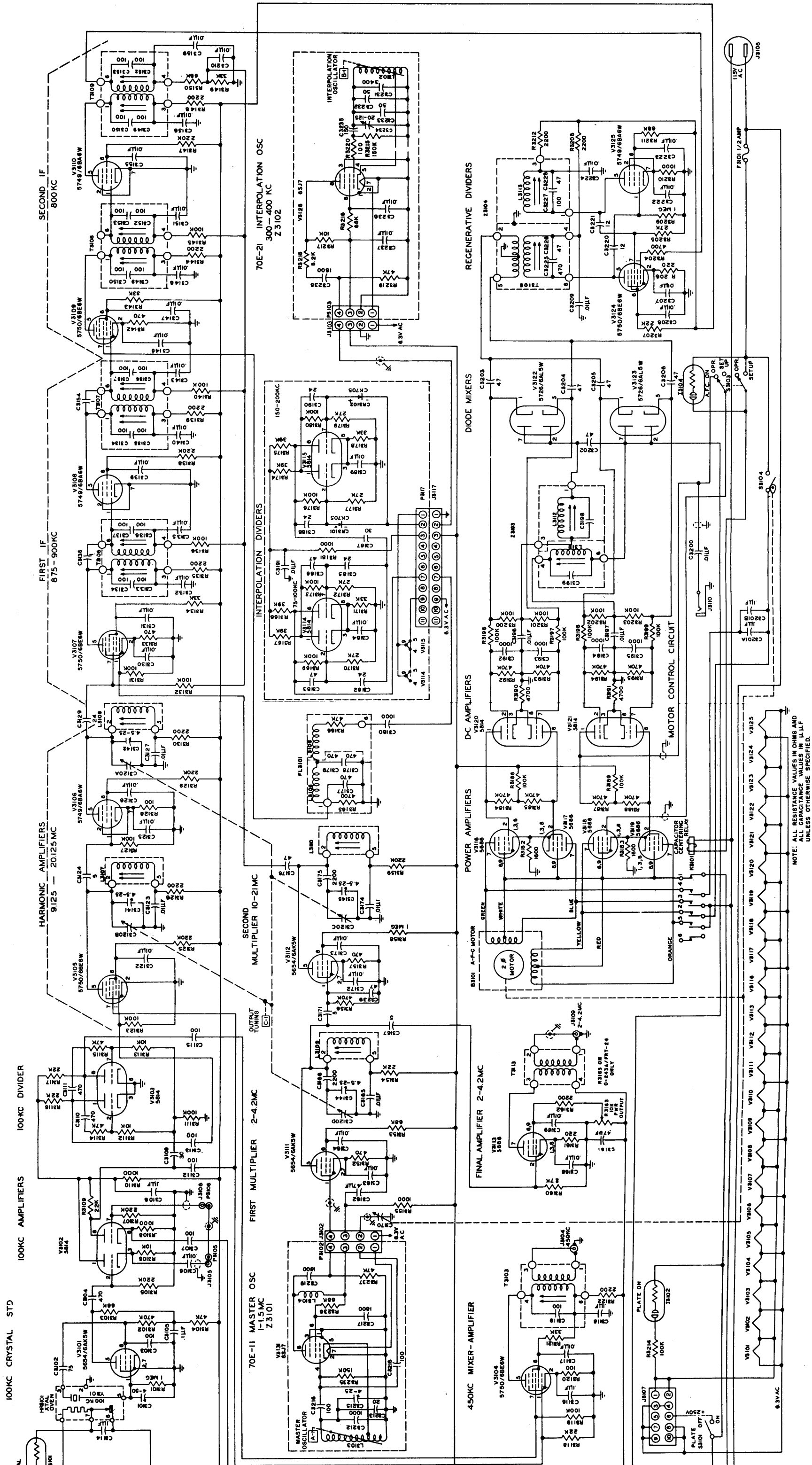
Figur 3-14. P w r C ntral Distribution Ladd r

ORIGINAL

3-27-3-28



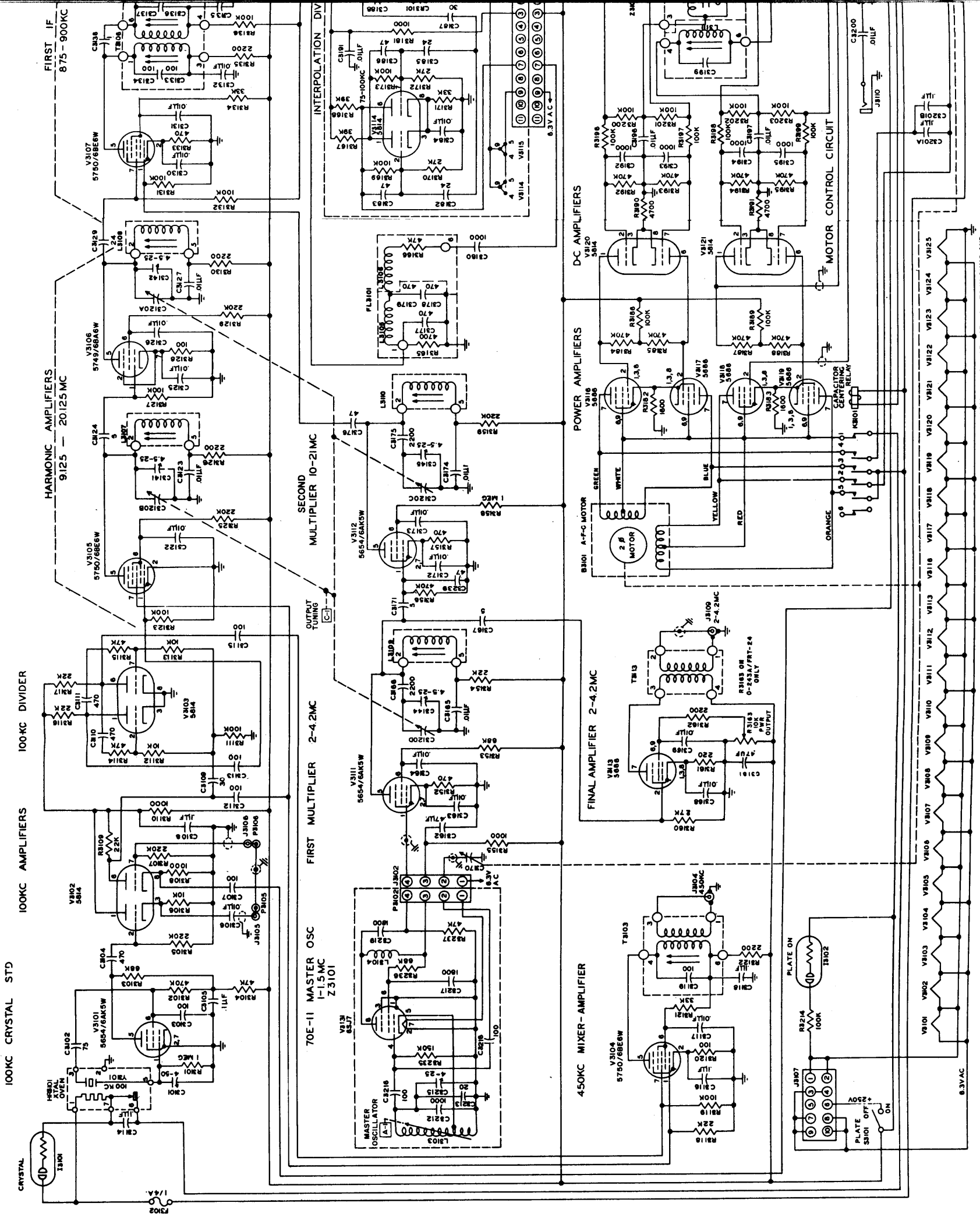
230V AC SINGLE PHASE 50-60 CYCLES



Figur 7-65. R-F Oscillat r O-243/FRT-24, Over-all Schematic

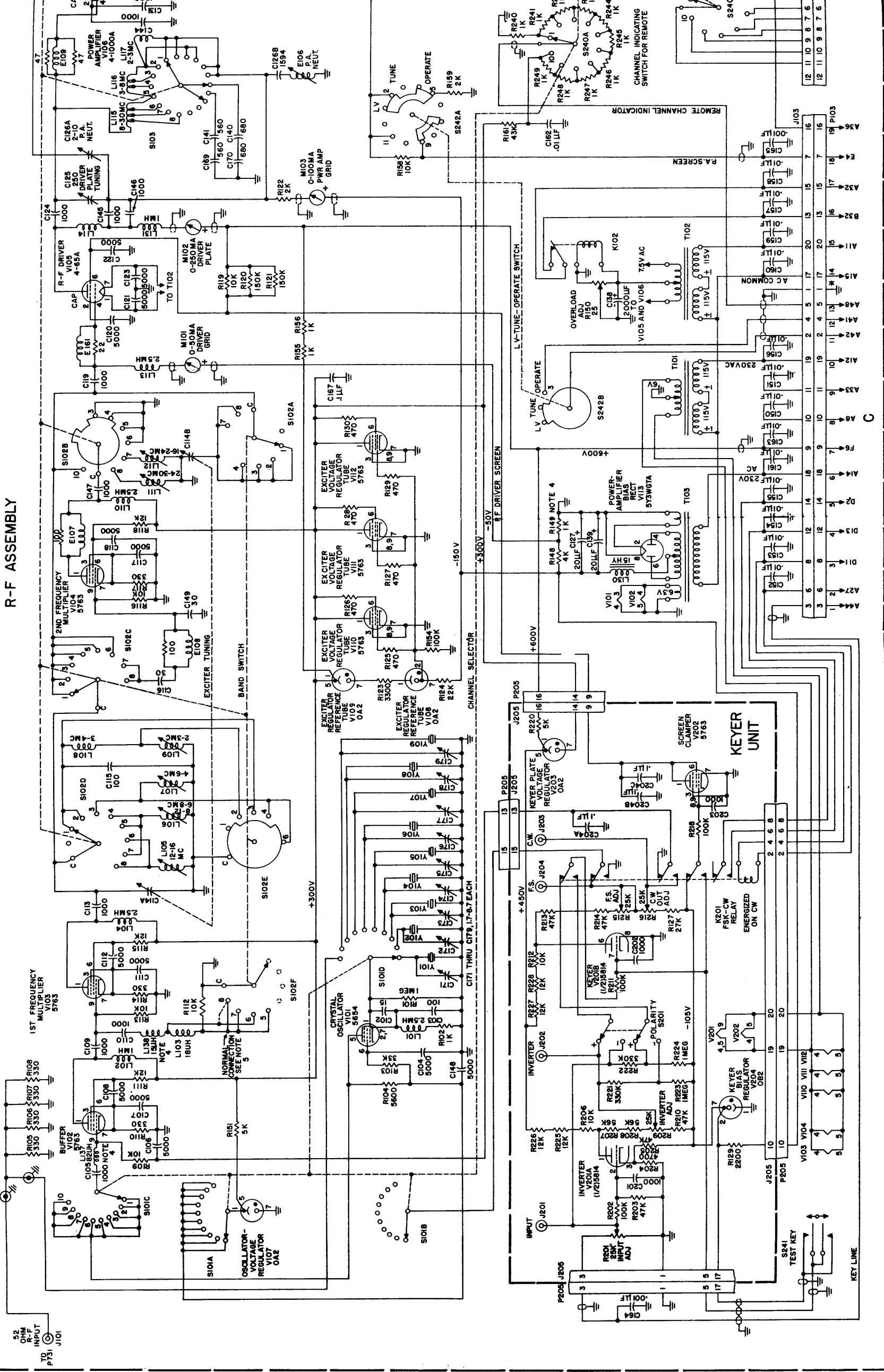
CHANGE 2

7-91-7-92



NOTE: ALL RESISTANCE VALUES IN OHMS AND ALL CAPACITANCE VALUES IN μ F UNLESS OTHERWISE SPECIFIED.

R-F ASSEMBLY



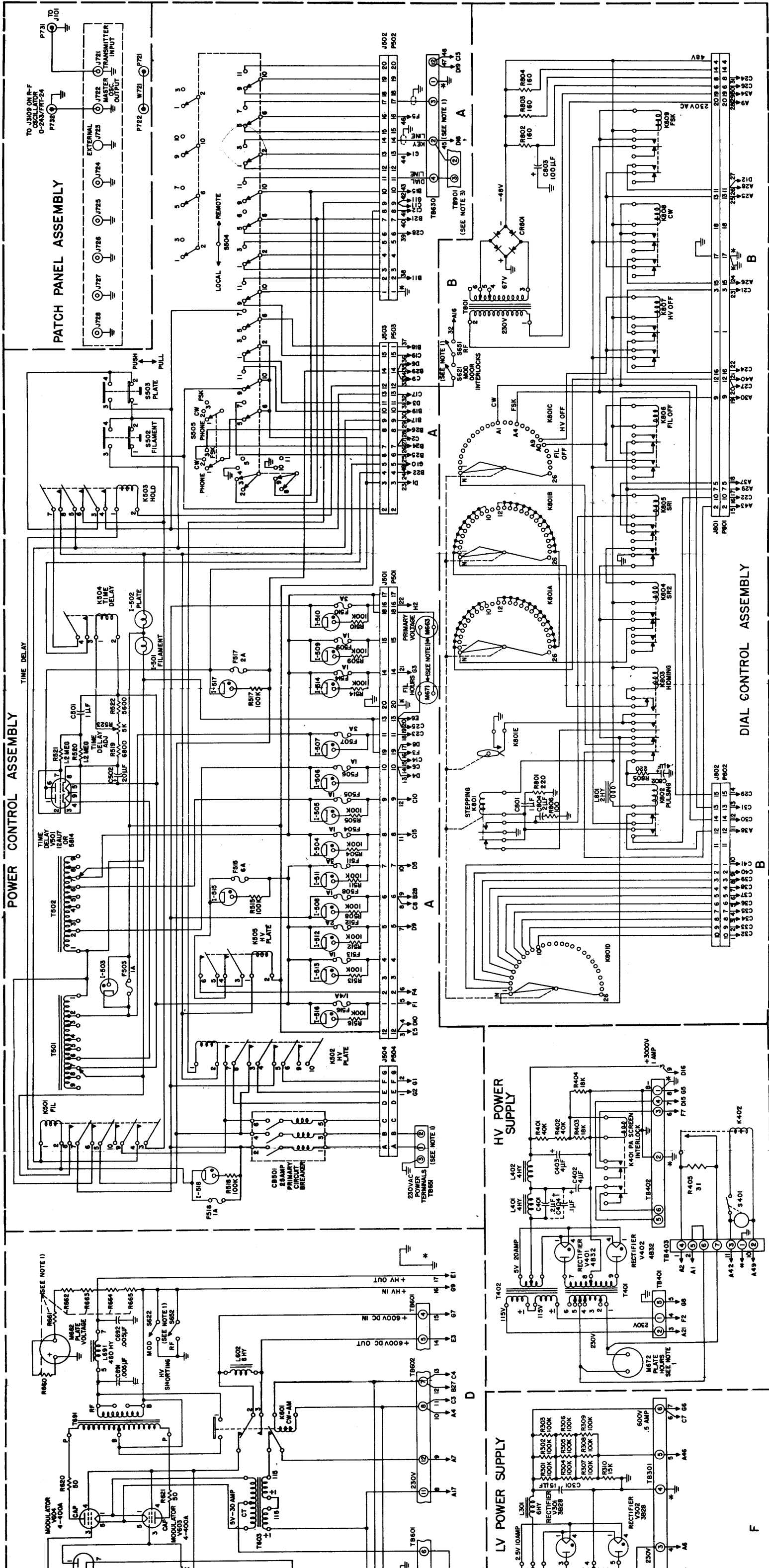


Figure 7-64. Radi Transmitter T-440/FRT-24, Overall Schematic
(Sheet 2 of 2)

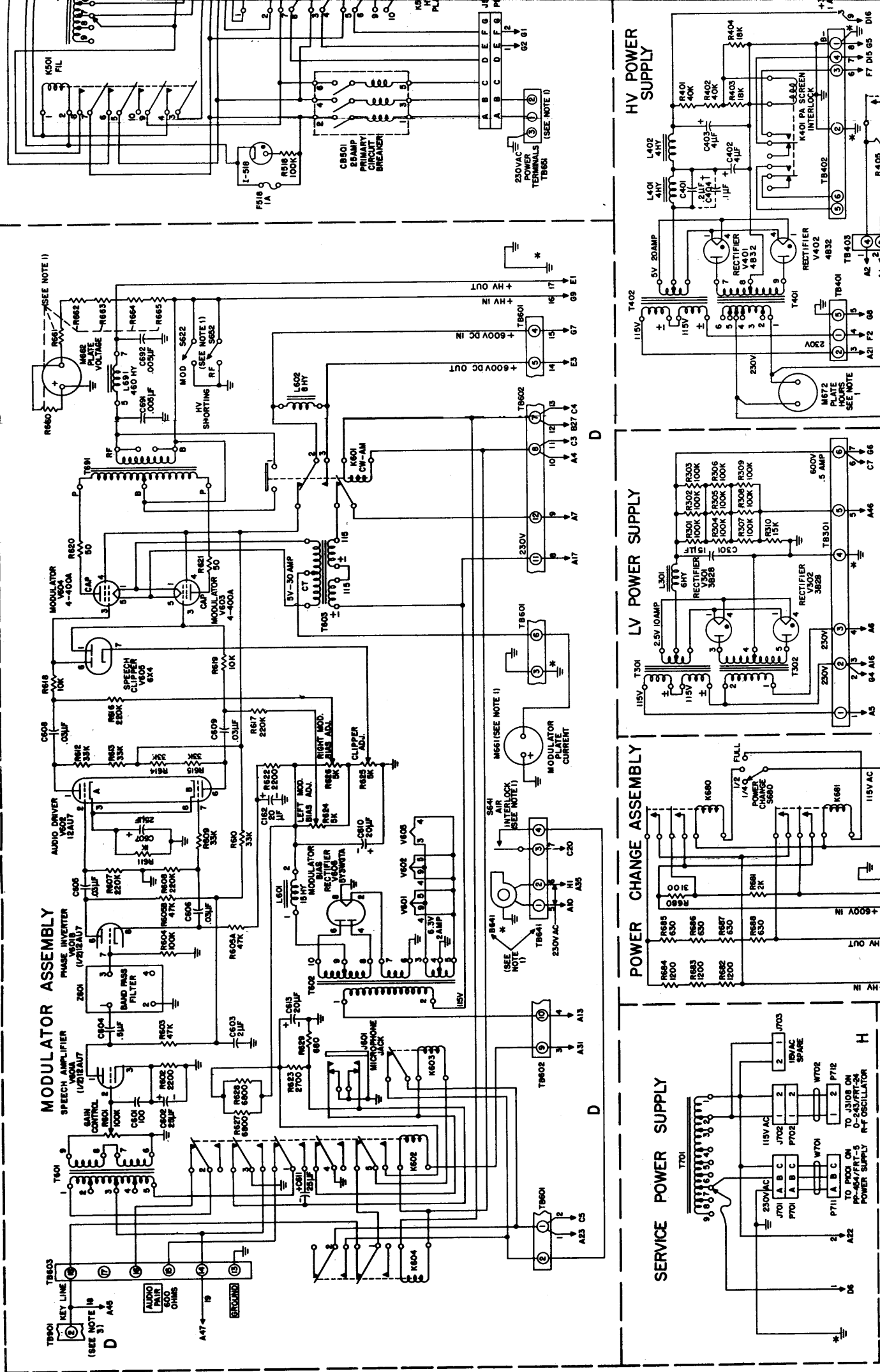
CHANGE 2

7-89-7-90

CODE DATA

R CODE	FROM	T	COLOR CODE
RB913	C22	B16	RB9256
RB912	C23	A18	RB926
RB916	C24	B1	RB956
RB95	C25	A19	RB91
RB936	C26	B0	RB936
RB9235	C27	B20	RB9235
RB9126	C28	A39	RB9126
RB926	C29	B14	RB926
RB925	C30	B12	RB925
RB923	C31	B13	RB923
RB916	C32	B1	RB916
RB915	C33	B2	RB915
RB913	C34	B3	RB913
RB912	C35	B4	RB912
RB96	C36	B5	RB96
RB95	C37	B6	RB95
RB93	C38	B7	RB93
RB92	C39	B8	RB92
RB91	C40	B9	RB91
RB90	C41	B10	RB90
KEO	C42	E2	KEO
RB912	D1	A23	RB912
RB912	D2	C5	RB912
RB902	D3	A31	RB902
RB905	D4	A13	RB905
RC902	D5	A10	RC902
RC903	D6	A35	RC903
RB903	D7	H1	RB903
RB916	D8	C20	RB916
RB90	D9	A17	RB90
RB905	D10	A7	RB905
RB9125	D11	A4	RB9125
RB9125	D12	C3	RB9125
RB91	D13	B27	RB91
RB91	D14	C4	RB91
RB936	D15	E3	RB936
RB935	D16	G7	RB935
KEO	D17	G9	KEO
KEO	D18	E1	KEO
RAS95	D19	A45	RAS95
RAS9	D20	A47	RAS9
KEO	D21	D17	KEO
KEO	D22	C42	KEO
RB936	D23	D14	RB936
RB93	D24	C18	RB93
RB9125	D25	E5	RB9125
RB91	D26	A20	RB91
RB936	D27	F1	RB936
RB90	D28	G4	RB90
RB90	D29	A16	RB90
RB95	D30	D15	RB95
RB9	D31	G5	RB9
KEO	D32	D16	KEO
RB903	D33	H1	RB903
RB904	D34	A22	RB904

† Located on cabinet frame
 * Unless otherwise indicated, all resistances are in ohms, all capacitances are in μf
 —TB901 located in Transmitter Control, C-1362/FRT-24



NOTES:
 † CONNECT C404 FOR SOCP OPERATION.
 * INDICATES COMMON GROUND CONNECTED TO CABINET FRAME.
 † LOCATED ON CABINET FRAME.
 † UNLESS OTHERWISE INDICATED, ALL CAPACITANCES ARE IN μf .
 † ALL CAPACITANCES ARE IN OHMS.
 † TB901 LOCATED IN TRANSMITTER CONTROL.
 † EFFECTIVE 1-4-60 FRT-27 SERIAL NUMBER 4024 AND HIGHER SERIAL NUMBERS.
 † 1362 (SUN) ADDED; L103 CHANGED FROM 34 μf TO 2K TO 1K.
 † 5102 F WIRING MODIFIED; R149 CHANGED FROM 2K TO 1K.
 † ALTERNATE CONNECTION TO INCREASE DRIVE IN 2.4-30 MC RANGE.

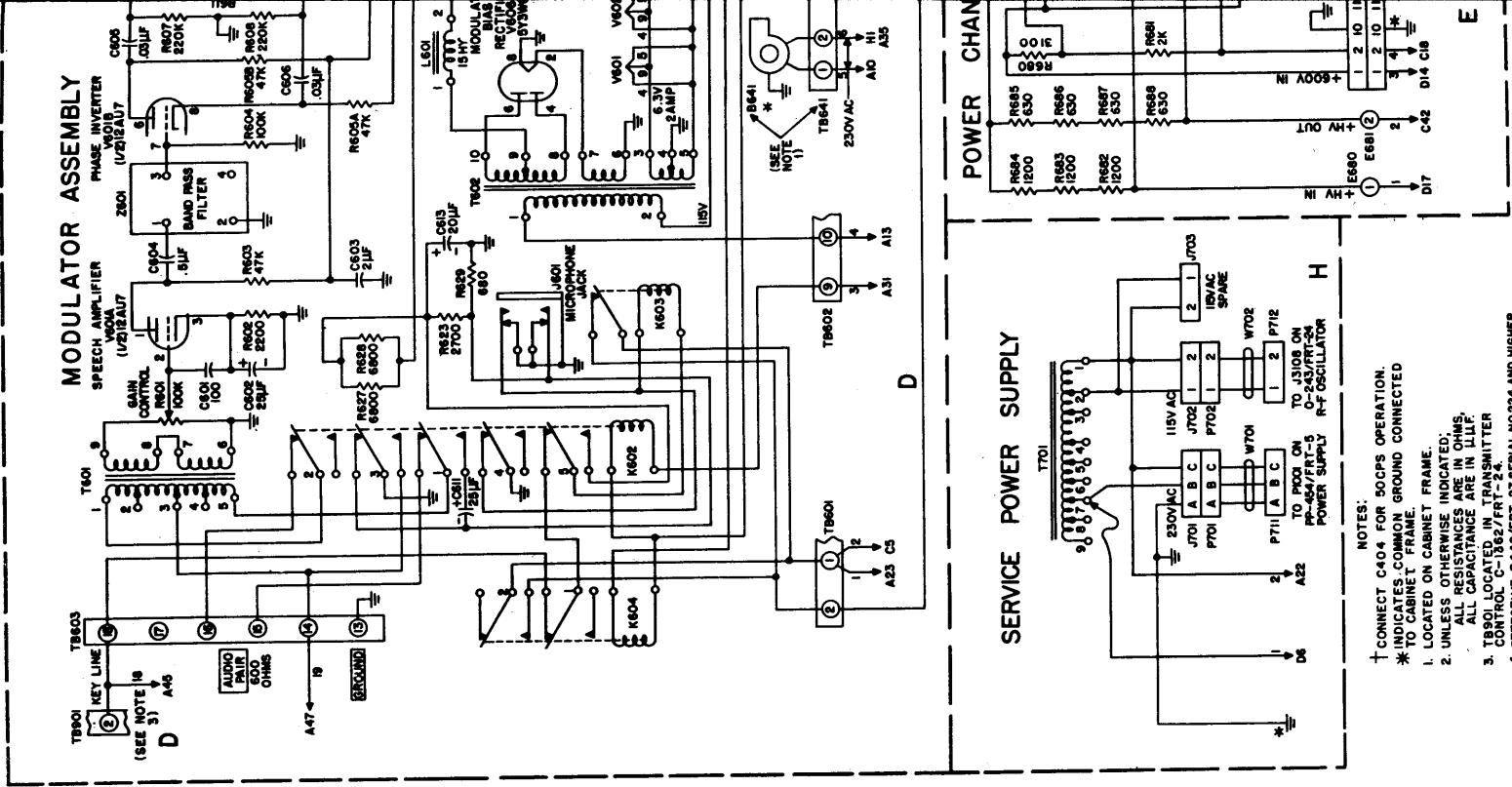
WIRING AND COLOR CODE DATA

FROM	TO	COLOR CODE	FR M	TO	COLOR CODE	FROM	TO	COLOR CODE
A1	G2	RG95	B3	C34	RB913	C22	B16	RB9256
A2	E5	RG96	B4	C35	RB912	C23	A18	RB926
A3	G1	RB9125	B5	C36	RB96	C24	B31	RB956
A4	D10	RB9125	B6	C37	RB95	C25	A19	RB91
A5	F1	RB936	B7	C38	RB93	C26	B30	RB936
A6	F4	RE93	B8	C39	RB92	C27	B20	RB9235
A7	D9	RB905	B9	C40	RB91	C28	A39	RB9128
A8	C8	RB925	B10	C41	RB90	C29	B14	RB926
A9	B28	RB925	B11	A38	RB905	C30	B12	RB925
A10	D5	RC902	B12	A39	RB923	C31	B13	RB923
A11	C15	RB935	B13	C31	RB923	C32	B1	RB916
A12	C10	RB96	B14	C29	RB926	C33	B2	RB915
A13	A13	RB95	B15	A43	RB9125	C34	B3	RB913
A14	C6	RB95	B16	C22	RB9256	C35	B4	RB912
A15	C14	RB90	B17	A29	RB95	C36	B5	RB96
A16	F3	RE90	B18	A37	RB9023	C37	B6	RB95
A17	D8	RB90	B19	A30	RB9125	C38	B7	RB93
A18	C23	RB926	B20	C27	RB9235	C39	B8	RB92
A19	C25	RB91	B21	A40	RB9235	C40	B9	RB91
A20	E6	RB91	B22	A24	RB9236	C41	B10	RB90
A21	G3	RB912	B23	C21	RB902	C42	E2	KEO
A22	H2	RB906	B24	A26	RB9356	D1	A23	RB912
A23	D1	RB972	B25	A25	RB916	D2	C5	RB912
A24	B22	RB9236	B26	A28	RB91	D3	A31	RB902
A25	B25	RB9236	B27	D12	RB91	D4	A13	RB905
A26	B24	RB9356	B28	A9	RB925	D5	A10	RC902
A27	C2	RB9356	B29	A34	RB915	D6	A35	RC903
A28	B26	RB91	B30	C26	RB936	D7	H1	RB903
A29	B17	RB95	B31	C24	RB956	D8	C20	RB916
A30	A19	RB9026	C1	A44	RAS96	D9	A17	RB90
A31	D3	RB902	C2	A27	RB9356	D9	A7	RB905
A32	C17	RB906	C3	D11	RB9125	D10	A4	RB9125
A33	C9	RB913	C4	D13	RB91	D11	C3	RB9125
A34	B29	RB915	C5	D2	RB912	D12	B27	RB91
A35	D6	RC903	C6	A14	RB95	D13	C4	RB91
A36	C19	RB9025	C7	F6	RB92	D14	E3	RB936
A37	B18	RB9023	C8	A8	RB925	D15	G7	RB935
A38	B11	RB905	C9	A33	RB913	D16	G9	KEO
A39	C28	RB9126	C10	A12	RB96	D17	E1	KEO
A40	B21	RB9235	C11	A42	RB903	D18	A45	RAS95
A41	C12	RB926	C12	A41	RB926	D19	A47	RAS9
A42	C11	RB903	C13	A48	RAS9	E1	D17	KEO
A43	B15	RB9125	C14	A15	RB90	E2	C42	KEO
A44	C1	RAS96	C15	A11	RB935	E3	D14	RB936
A45	D18	RAS95	C16	B32	RB905	E4	C18	RB93
A46	F5	RAS92	C17	A32	RB906	E5	A3	RB9125
A47	D19	RAS9	C18	E4	RB93	E6	A20	RB91
A48	C13	RAS9	C19	A36	RB9025	F1	A5	RB936
B1	C32	RB916	C20	D7	RB916	F2	G4	RB90
B2	C33	RB915	C21	B23	RB902	F3	A16	RB90
F4	A6	RE93	G2	A1	RC95	G7	D15	RB935
F5	A46	RAS92	G3	A21	RB912	G8	G5	RB9
F6	C7	RB92	G4	F2	RB90	G9	D16	KEO
F7	G6	RB92	G5	G8	RB9	H1	D6	RB903
G1	A2	RG96	G6	F7	RB92	H2	A22	RB906

Notes for Schematic

- † Connect C204 for 50 CPS operation
- * Indicates common ground connected to cabinet frame

- 1—Located on cabinet frame
- 2—Unless otherwise indicated, all resistances are in ohms, all capacitances are in μf
- 3—TB901 located in Transmitter Control, C-1362/FRT-24



- NOTES:
- † CONNECT C404 FOR 50CPS OPERATION
 - * INDICATES COMMON GROUND CONNECTED TO CABINET FRAME.
 - 1. LOCATED ON CABINET FRAME.
 - 2. UNLESS OTHERWISE INDICATED, ALL RESISTANCES ARE IN OHMS, ALL CAPACITANCES ARE IN μf .
 - 3. TB901 LOCATED IN TRANSMITTER CONTROL.
 - 4. EFFECTIVE T-440/FRT-24 SERIAL NO.224 AND HIGHER AND ALL T-440A/FRT-24 : L137, L138, L139, L140, L141, L142, L143, L144, L145, L146, L147, L148, L149, L150, L151, L152, L153, L154, L155, L156, L157, L158, L159, L160, L161, L162, L163, L164, L165, L166, L167, L168, L169, L170, L171, L172, L173, L174, L175, L176, L177, L178, L179, L180, L181, L182, L183, L184, L185, L186, L187, L188, L189, L190, L191, L192, L193, L194, L195, L196, L197, L198, L199, L200, L201, L202, L203, L204, L205, L206, L207, L208, L209, L210, L211, L212, L213, L214, L215, L216, L217, L218, L219, L220, L221, L222, L223, L224, L225, L226, L227, L228, L229, L230, L231, L232, L233, L234, L235, L236, L237, L238, L239, L240, L241, L242, L243, L244, L245, L246, L247, L248, L249, L250, L251, L252, L253, L254, L255, L256, L257, L258, L259, L260, L261, L262, L263, L264, L265, L266, L267, L268, L269, L270, L271, L272, L273, L274, L275, L276, L277, L278, L279, L280, L281, L282, L283, L284, L285, L286, L287, L288, L289, L290, L291, L292, L293, L294, L295, L296, L297, L298, L299, L300, L301, L302, L303, L304, L305, L306, L307, L308, L309, L310, L311, L312, L313, L314, L315, L316, L317, L318, L319, L320, L321, L322, L323, L324, L325, L326, L327, L328, L329, L330, L331, L332, L333, L334, L335, L336, L337, L338, L339, L340, L341, L342, L343, L344, L345, L346, L347, L348, L349, L350, L351, L352, L353, L354, L355, L356, L357, L358, L359, L360, L361, L362, L363, L364, L365, L366, L367, L368, L369, L370, L371, L372, L373, L374, L375, L376, L377, L378, L379, L380, L381, L382, L383, L384, L385, L386, L387, L388, L389, L390, L391, L392, L393, L394, L395, L396, L397, L398, L399, L400, L401, L402, L403, L404, L405, L406, L407, L408, L409, L410, L411, L412, L413, L414, L415, L416, L417, L418, L419, L420, L421, L422, L423, L424, L425, L426, L427, L428, L429, L430, L431, L432, L433, L434, L435, L436, L437, L438, L439, L440, L441, L442, L443, L444, L445, L446, L447, L448, L449, L450, L451, L452, L453, L454, L455, L456, L457, L458, L459, L460, L461, L462, L463, L464, L465, L466, L467, L468, L469, L470, L471, L472, L473, L474, L475, L476, L477, L478, L479, L480, L481, L482, L483, L484, L485, L486, L487, L488, L489, L490, L491, L492, L493, L494, L495, L496, L497, L498, L499, L500, L501, L502, L503, L504, L505, L506, L507, L508, L509, L510, L511, L512, L513, L514, L515, L516, L517, L518, L519, L520, L521, L522, L523, L524, L525, L526, L527, L528, L529, L530, L531, L532, L533, L534, L535, L536, L537, L538, L539, L540, L541, L542, L543, L544, L545, L546, L547, L548, L549, L550, L551, L552, L553, L554, L555, L556, L557, L558, L559, L560, L561, L562, L563, L564, L565, L566, L567, L568, L569, L570, L571, L572, L573, L574, L575, L576, L577, L578, L579, L580, L581, L582, L583, L584, L585, L586, L587, L588, L589, L590, L591, L592, L593, L594, L595, L596, L597, L598, L599, L600, L601, L602, L603, L604, L605, L606, L607, L608, L609, L610, L611, L612, L613, L614, L615, L616, L617, L618, L619, L620, L621, L622, L623, L624, L625, L626, L627, L628, L629, L630, L631, L632, L633, L634, L635, L636, L637, L638, L639, L640, L641, L642, L643, L644, L645, L646, L647, L648, L649, L650, L651, L652, L653, L654, L655, L656, L657, L658, L659, L660, L661, L662, L663, L664, L665, L666, L667, L668, L669, L670, L671, L672, L673, L674, L675, L676, L677, L678, L679, L680, L681, L682, L683, L684, L685, L686, L687, L688, L689, L690, L691, L692, L693, L694, L695, L696, L697, L698, L699, L700, L701, L702, L703, L704, L705, L706, L707, L708, L709, L710, L711, L712, L713, L714, L715, L716, L717, L718, L719, L720, L721, L722, L723, L724, L725, L726, L727, L728, L729, L730, L731, L732, L733, L734, L735, L736, L737, L738, L739, L740, L741, L742, L743, L744, L745, L746, L747, L748, L749, L750, L751, L752, L753, L754, L755, L756, L757, L758, L759, L760, L761, L762, L763, L764, L765, L766, L767, L768, L769, L770, L771, L772, L773, L774, L775, L776, L777, L778, L779, L780, L781, L782, L783, L784, L785, L786, L787, L788, L789, L790, L791, L792, L793, L794, L795, L796, L797, L798, L799, L800, L801, L802, L803, L804, L805, L806, L807, L808, L809, L810, L811, L812, L813, L814, L815, L816, L817, L818, L819, L820, L821, L822, L823, L824, L825, L826, L827, L828, L829, L830, L831, L832, L833, L834, L835, L836, L837, L838, L839, L840, L841, L842, L843, L844, L845, L846, L847, L848, L849, L850, L851, L852, L853, L854, L855, L856, L857, L858, L859, L860, L861, L862, L863, L864, L865, L866, L867, L868, L869, L870, L871, L872, L873, L874, L875, L876, L877, L878, L879, L880, L881, L882, L883, L884, L885, L886, L887, L888, L889, L890, L891, L892, L893, L894, L895, L896, L897, L898, L899, L900, L901, L902, L903, L904, L905, L906, L907, L908, L909, L910, L911, L912, L913, L914, L915, L916, L917, L918, L919, L920, L921, L922, L923, L924, L925, L926, L927, L928, L929, L930, L931, L932, L933, L934, L935, L936, L937, L938, L939, L940, L941, L942, L943, L944, L945, L946, L947, L948, L949, L950, L951, L952, L953, L954, L955, L956, L957, L958, L959, L960, L961, L962, L963, L964, L965, L966, L967, L968, L969, L970, L971, L972, L973, L974, L975, L976, L977, L978, L979, L980, L981, L982, L983, L984, L985, L986, L987, L988, L989, L990, L991, L992, L993, L994, L995, L996, L997, L998, L999, L1000.
 - 5-ALTERNATE CONNECTION TO INCREASE DRIVE IN 24-30 MC RANGE.