



**NONRESIDENT  
TRAINING  
COURSE**



March 1997

---

# **Electronics Technician**

## **Volume 6—Digital Data Systems**

**NAVEDTRA 14091**

**Although the words “he,” “him,” and “his” are used sparingly in this course to enhance communication, they are not intended to be gender driven or to affront or discriminate against anyone.**

## PREFACE

By enrolling in this self-study course, you have demonstrated a desire to improve yourself and the Navy. Remember, however, this self-study course is only one part of the total Navy training program. Practical experience, schools, selected reading, and your desire to succeed are also necessary to successfully round out a fully meaningful training program.

**COURSE OVERVIEW:** After completing this nonresident training course, you will demonstrate a knowledge of the subject matter by correctly answering questions on the following broad topics: fundamentals and operations of computers, computer configurations and hardware, computer operator controls and controlling units, computer components and circuits, central processing units and buses, computer memories, input/output (I/O) and interfacing, computer instructions and man/machine interfaces, magnetic tape storage, magnetic disk storage, CD-ROM storage, printers, data conversion devices, and switchboards.

**THE COURSE:** This self-study course is organized into subject matter areas, each containing learning objectives to help you determine what you should learn along with text and illustrations to help you understand the information. The subject matter reflects day-to-day requirements and experiences of personnel in the rating or skill area. It also reflects guidance provided by Enlisted Community Managers (ECMs) and other senior personnel, technical references, instructions, etc., and either the occupational or naval standards, which are listed in the *Manual of Navy Enlisted Manpower Personnel Classifications and Occupational Standards*, NAVPERS 18068.

**THE QUESTIONS:** The questions that appear in this course are designed to help you understand the material in the text.

**VALUE:** In completing this course, you will improve your military and professional knowledge. Importantly, it can also help you study for the Navy-wide advancement in rate examination. If you are studying and discover a reference in the text to another publication for further information, look it up.

*1997 Edition Prepared by  
DSCS(SW/AW) Robert M. Maynard*

Published by  
NAVAL EDUCATION AND TRAINING  
PROFESSIONAL DEVELOPMENT  
AND TECHNOLOGY CENTER

**NAVSUP Logistics Tracking Number  
0504-LP-026-7570**

## **Sailor's Creed**

“I am a United States Sailor.

I will support and defend the Constitution of the United States of America and I will obey the orders of those appointed over me.

I represent the fighting spirit of the Navy and those who have gone before me to defend freedom and democracy around the world.

I proudly serve my country's Navy combat team with honor, courage and commitment.

I am committed to excellence and the fair treatment of all.”

# CONTENTS

CHAPTER	PAGE
1. Fundamentals and Operations of Computers . . . . .	1-1
2. Computer Configurations and Hardware . . . . .	2-1
3. Computer Operator Controls and Controlling Units . . . . .	3-1
4. Computer Components and Circuits . . . . .	4-1
5. Central Processing Units and Buses.. . . . .	5-1
6. Computer Memories . . . . .	6-1
7. Input/Output (I/O) and Interfacing . . . . .	7-1
8. Computer Instructions and Man/Machine Interfaces . . . . .	8-1
9. Magnetic Tape Storage . . . . .	9-1
10. Magnetic Disk Storage . . . . .	10-1
11. CD-ROM Storage . . . . .	11-1
12. Printers . . . . .	12-1
13. Data Conversion Devices and Switchboards . . . . .	13-1
APPENDIX	
I. Glossary of Terms and Acronyms.. . . . .	AI-1
II. References Used to Develop the TRAMAN . . . . .	AII-1
INDEX . . . . .	INDEX-1

# CREDITS

## Trademark Credits

**Adobe** and **PostScript** are registered trademarks of Adobe Systems, Inc. in the U.S. and other countries.

**AMP** and **TERMI-POINT** are registered trademarks of AMP Incorporated.

**Canon** is a registered trademark of Canon U. S.A., Inc.

**Centronics** is a registered trademark of Centronics Corp.

**IBM** and **OS/2** are registered trademarks of International Business Machines Corporation.

**Intel 80286** is a registered trademark of Intel Corporation.

**LaserJet** is a registered trademark of Hewlett-Packard Company.

**Lin CMOS** is a registered trademark of Texas Instruments Incorporated.

**Microsoft** and **MS-DOS** are registered trademarks of Microsoft Corporation.

**UNIX** and **ST (straight Tip)** are registered trademarks of AT&T.

# SUMMARY OF THE ELECTRONICS TECHNICIAN TRAINING SERIES

This series of training manuals was developed to replace the *Electronics Technician 3 & 2 TRAMAN*. The content is directed to personnel working toward advancement to Electronics Technician Second Class.

The nine volumes in the series are based on major topic areas with which the ET2 should be familiar. Volume 1, *Safety*, provides an introduction to general safety as it relates to the ET rating. It also provides both general and specific information on electronic tag-out procedures, man aloft procedures, hazardous materials (i.e., solvents, batteries, and vacuum tubes), and radiation hazards. Volume 2, *Administration*, discusses COSAL updates, 3-M documentation, supply paperwork, and other associated administrative topics. Volume 3, *Communications Systems*, provides a basic introduction to shipboard and shore-based communication systems. Systems covered include man-pac radios (i.e., PRC-104, PSC-3) in the hf, vhf, uhf, SATCOM, and shf ranges. Also provided is an introduction to tactical data links (Link-4, Link-11) and the Communications Link Interoperability System (CLIPS). Volume 4, *Radar Systems*, is a basic introduction to air search, surface search, ground controlled approach, and carrier controlled approach radar systems. Volume 5, *Navigation Systems*, is a basic introduction to navigation systems, such as OMEGA, SATNAV, TACAN, and man-pac systems. Volume 6, *Digital Data Systems*, is a basic introduction to digital data systems and includes discussions about SNAP II, laptop computers, and desktop computers. Volume 7, *Antennas and Wave Propagation*, is an introduction to wave propagation, as it pertains to Electronics Technicians, and shipboard and shore-based antennas. Volume 8, *Support Systems*, discusses system interfaces, troubleshooting, sub-systems, dry air, cooling, and power systems. Volume 9, *Electro-Optics*, is an introduction to night vision equipment, lasers, thermal imaging, and fiber optics.

# INSTRUCTIONS FOR TAKING THE COURSE

## ASSIGNMENTS

The text pages that you are to study are listed at the beginning of each assignment. Study these pages carefully before attempting to answer the questions. Pay close attention to tables and illustrations and read the learning objectives. The learning objectives state what you should be able to do after studying the material. Answering the questions correctly helps you accomplish the objectives.

## SELECTING YOUR ANSWERS

Read each question carefully, then select the BEST answer. You may refer freely to the text. The answers must be the result of your own work and decisions. You are prohibited from referring to or copying the answers of others and from giving answers to anyone else taking the course.

## SUBMITTING YOUR ASSIGNMENTS

To have your assignments graded, you must be enrolled in the course with the Nonresident Training Course Administration Branch at the Naval Education and Training Professional Development and Technology Center (NETPDTC). Following enrollment, there are two ways of having your assignments graded: (1) use the Internet to submit your assignments as you complete them, or (2) send all the assignments at one time by mail to NETPDTC.

**Grading on the Internet:** Advantages to Internet grading are:

- you may submit your answers as soon as you complete an assignment, and
- you get your results faster; usually by the next working day (approximately 24 hours).

In addition to receiving grade results for each assignment, you will receive course completion confirmation once you have completed all the

assignments. To submit your assignment answers via the Internet, go to:

**<http://courses.cnet.navy.mil>**

**Grading by Mail:** When you submit answer sheets by mail, send all of your assignments at one time. Do NOT submit individual answer sheets for grading. Mail all of your assignments in an envelope, which you either provide yourself or obtain from your nearest Educational Services Officer (ESO). Submit answer sheets to:

COMMANDING OFFICER  
NETPDTC N331  
6490 SAUFLEY FIELD ROAD  
PENSACOLA FL 32559-5000

**Answer Sheets:** All courses include one “scannable” answer sheet for each assignment. These answer sheets are preprinted with your SSN, name, assignment number, and course number. Explanations for completing the answer sheets are on the answer sheet.

**Do not use answer sheet reproductions:** Use only the original answer sheets that we provide—reproductions will not work with our scanning equipment and cannot be processed.

Follow the instructions for marking your answers on the answer sheet. Be sure that blocks 1, 2, and 3 are filled in correctly. This information is necessary for your course to be properly processed and for you to receive credit for your work.

## COMPLETION TIME

Courses must be completed within 12 months from the date of enrollment. This includes time required to resubmit failed assignments.



## **PASS/FAIL ASSIGNMENT PROCEDURES**

If your overall course score is 3.2 or higher, you will pass the course and will not be required to resubmit assignments. Once your assignments have been graded you will receive course completion confirmation.

If you receive less than a 3.2 on any assignment and your overall course score is below 3.2, you will be given the opportunity to resubmit failed assignments. **You may resubmit failed assignments only once.** Internet students will receive notification when they have failed an assignment--they may then resubmit failed assignments on the web site. Internet students may view and print results for failed assignments from the web site. Students who submit by mail will receive a failing result letter and a new answer sheet for resubmission of each failed assignment.

## **COMPLETION CONFIRMATION**

After successfully completing this course, you will receive a letter of completion.

## **ERRATA**

Errata are used to correct minor errors or delete obsolete information in a course. Errata may also be used to provide instructions to the student. If a course has an errata, it will be included as the first page(s) after the front cover. Errata for all courses can be accessed and viewed/downloaded at:

<http://www.advancement.cnet.navy.mil>

## **STUDENT FEEDBACK QUESTIONS**

We value your suggestions, questions, and criticisms on our courses. If you would like to communicate with us regarding this course, we encourage you, if possible, to use e-mail. If you write or fax, please use a copy of the Student Comment form that follows this page.

## **For subject matter questions:**

E-mail: n315.products@cnet.navy.mil  
Phone: Comm: (850) 452-1001, Ext. 1713  
DSN: 922-1001, Ext. 1713  
FAX: (850) 452-1370  
(Do not fax answer sheets.)  
Address: COMMANDING OFFICER  
NETPDTC N315  
6490 SAUFLEY FIELD ROAD  
PENSACOLA FL 32509-5237

## **For enrollment, shipping, grading, or completion letter questions**

E-mail: fleetservices@cnet.navy.mil  
Phone: Toll Free: 877-264-8583  
Comm: (850) 452-1511/1181/1859  
DSN: 922-1511/1181/1859  
FAX: (850) 452-1370  
(Do not fax answer sheets.)  
Address: COMMANDING OFFICER  
NETPDTC N331  
6490 SAUFLEY FIELD ROAD  
PENSACOLA FL 32559-5000

## **NAVAL RESERVE RETIREMENT CREDIT**

If you are a member of the Naval Reserve, you may earn retirement points for successfully completing this course, if authorized under current directives governing retirement of Naval Reserve personnel. For Naval Reserve retirement, this course is divided into two units evaluated at 21 points.

Unit 1: 12 points upon satisfactory completion of Assignments 1 through 8.

Unit 2: 9 points upon satisfactory completion of Assignments 9 through 14.

(Refer to *Administrative Procedures for Naval Reservists on Inactive Duty*, BUPERSINST 1001.39, for more information about retirement points.)



## Student Comments

**Course Title:** Electronics Technician, Volume 6—Digital Data Systems

**NAVEDTRA:** 14091 **Date:** \_\_\_\_\_

**We need some information about you:**

Rate/Rank and Name: \_\_\_\_\_ SSN: \_\_\_\_\_ Command/Unit \_\_\_\_\_

Street Address: \_\_\_\_\_ City: \_\_\_\_\_ State/FPO: \_\_\_\_\_ Zip \_\_\_\_\_

**Your comments, suggestions, etc.:**

<p><b>Privacy Act Statement:</b> Under authority of Title 5, USC 301, information regarding your military status is requested in processing your comments and in preparing a reply. This information will not be divulged without written authorization to anyone other than those within DOD for official use in determining performance.</p>
--

NETPDTC 1550/41 (Rev 4-00)



# CHAPTER 1

## FUNDAMENTALS AND OPERATIONS OF COMPUTERS

### INTRODUCTION

The computer is the heart and soul of any data system. It can be packaged in many sizes and configurations. It may be a general- or special-purpose type. It may handle analog or digital data, or both. It may be referred to as a mainframe, minicomputer, or microcomputer. Regardless of what it is called or how it is configured, it will share certain common fundamental concepts and principles with all other computers. All computers gather, process, store, disseminate, and display data and information. Each computer is housed in a frame or cabinet. Each has a central processing unit (CPU), memory, input/output (I/O) section, and a power supply. How these are assembled in each computer will vary from unit to unit.

How much computing power a computer has is defined by the technology it uses and NOT by its physical size. A more powerful computer means greater speed, greater capacity and capability to store information, and a greater facility to accommodate additional peripheral (external) equipment. Our objective is to teach you the basic fundamentals and concepts of a computer, no matter what type you maintain.

- **After completing this chapter, you should be able to:**
- **Describe the functions and purposes of a computer**
- **Differentiate between computer types based on their hardware characteristics**
- **Recognize the uses of computers and their functional operation**
- **Describe the types of computers used with tactical, tactical support, and nontactical programs**
- **Differentiate between full capability, reduced capability, and battle short mode in terms of computer operation and performance**
- **Compare the operational modes of computers including modes used in operation and maintenance**
- **Describe the security requirements associated with computers**

Before you begin study of how a computer operates, let's take a look at the fundamentals and operations of computers in general. These include their functions, the different types of computers, and their functional operation. Also included are their operational uses, configuration/setups, and modes of operation.

## TOPIC 1—COMPUTER FUNCTIONS AND TYPES

The computers the Navy uses vary from mainframes to microcomputers. Regardless of the types of computers and their operational uses, their functions are basically the same. Depending on the type of computer and the operational use, the methods will vary. First, we discuss the functions of computers, the different ways computers handle data, and the methods they use to accomplish this. Then we discuss the functional operation of computers.

### COMPUTER FUNCTIONS

All computers must be able to gather, process, store, disseminate, and display data.

#### Gather Data

All computers, no matter what their size, must gather data before they can process the data. The operational program will dictate how the data is gathered—manually, automatically, or a combination of both.

Manually, an operator or technician will input the data to the computer. This can be done either directly or by a device external to the computer. The following are commonly used input devices:

- Keyboards
- Display consoles
- Data terminals
- Computer maintenance panels
- Storage devices (magnetic tape units, disk drive units, and paper tape units)

As an example, an operator at a console will input data via the console to the computer and the computer will process the data for storage, dissemination, or display depending on the functions of the operational program. Data may be input from a console using pushbuttons, switches, toggles, or a combination of these.

Automatically gathering data means the computer receives data from another system, subsystem, or equipment. The computer monitors for external requests through a series of programmed requests and acknowledges. The computer first sees the gathered data when it comes through the input section of the input/output section of the computer. Then depending on the operational program, the computer will either react immediately or store the data for future use. The following are examples of the sources from which computers gather the data automatically:

- Systems such as the fire control system
- Subsystems such as the combat direction system
- Data processing systems (another computer and conversion devices)
- Display systems via sensors (radar)
- Communication systems such as data links and local-area networks (LANs)

Many computer systems are designed to gather data using a combination of both the manual and automatic methods.

#### Process Data

Processing data is the main function and the purpose of the computer. There are other systems, subsystems, and equipment that will work with the computer to help gather, store, disseminate, and display data; but processing the data is exclusively the computer's function. The heart of the computer—the place where the data is processed in a computer—is called the central processing unit (CPU). Figure 1-1 shows the basic configuration of a digital computer.

After the data is processed, it can be stored, disseminated, or displayed.

#### Store Data

The computer can store data either internally or externally. Internally, the computer uses memory

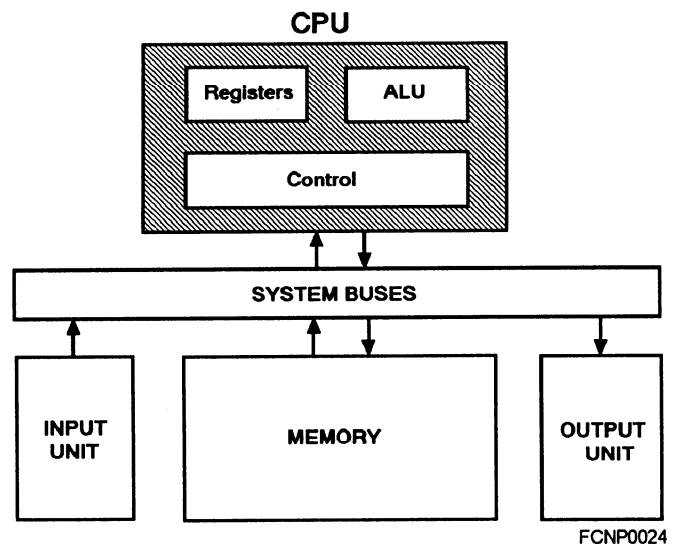


Figure 1-1.—A basic functional composition of a digital computer.

banks. These memory banks can hold instructions and both processed and unprocessed data. Memory access time and memory capacity are the other main factors that determine how powerful a computer is.

Externally, computers can store data on magnetic disks (hard and floppy), magnetic tape, or paper tape. Disk drive units offer quicker access to the data than magnetic or paper tape units. On some systems, the disks can store more data than the internal memory of a computer. The amounts of each will depend on the design and requirements of the data system. Some systems internally store and process the data. Others depend heavily on the disks to hold and store the data, bringing the data into memory for processing, and then storing the results back onto disk.

### **Disseminate Data**

After the computer has processed the data, it can send it to the I/O section or an I/O unit for immediate or future dissemination to various equipments. The data will exit the output section of the computer's input/output section. It can be sent to an output device such as a printer, or to one of many storage devices such as a magnetic tape or disk unit. It can also be sent to a subsystem, such as a display system, via its associated equipment.

### **Display Data**

Computer systems display two general types of data—data related to the mission of the system and status information related to operation of the system and hardware performance. The computer relies on peripheral equipment, such as printers and display units, to display the processed data—the mission related output of the operational program. Your interest in output generally relates to whether the data is sent properly by the computer and is displaying properly. In other words, you want to know the computer system is functioning properly. The content of the data is usually a secondary interest to you and a primary interest to the user/operator.

The other type of data/information that can be displayed relates to the operation of the system. This includes operator information, system error messages, and indications of system problems. You will be particularly interested in this information. The maintenance panels and data terminals can display real-time data and provide you with current status of the operational program. For example, the maintenance panels of some computers have registers where the presence or absence of indicator lamps can indicate to the technician if the computer is communicating with a

subsystem such as a display or communication subsystem. This is a very useful tool when you are performing maintenance, both preventive and corrective. Figure 1-2 is an example of a maintenance console panel. Notice the indicator lights for the I/O controller, I/O timing, Mode, Central Processor Register, and soon. These will provide you with status information. For example, you can monitor the I/O controller register to see if the computer is interfacing with a particular subsystem such as display or communications. Look to see if the indicator of that channel is illuminated (either flashing or constantly lit). Or, you could look at the contents of a particular register in the CPU by selecting that register while installing a patch to a program using an inspect and change procedure or utility.

## **TYPES OF COMPUTERS**

In general terms, computers can be classified into three categories: mainframe computers, minicomputers, and microcomputers. A computer's power is determined by the technology it uses, NOT its physical size. Greater speed, greater capability and capacity to store information, and greater facility to accommodate additional peripheral (external) equipment will make one computer more powerful than another regardless of their overall physical sizes. We do not go into detail on each of the different types of computers. Rather, we identify examples of each and point out their physical and internal differences. This will prove valuable when you are maintaining them. Let's take a look at the types of computers you will maintain in the Navy. Later in this manual, you will study the internal workings of computers—their basic functional operation.

### **Mainframe Computers**

Mainframe computers are physically the largest computers you will maintain. Their ruggedness makes them better suited than microcomputers and minicomputers to handle the mechanical shock and vibration, salt spray, temperature and humidity found aboard Navy vessels. The mainframes you will maintain are general-purpose, digital data computers with multiprocessing capability.

Mainframe computers are considered the heart of the afloat and ashore tactical and tactical support data systems. These mainframe computers are big, fret, multiprocessor computers with correspondingly large memories and multiple I/O channel capabilities. They process large volumes of data and require a lot of program flexibility. Their operational programs are

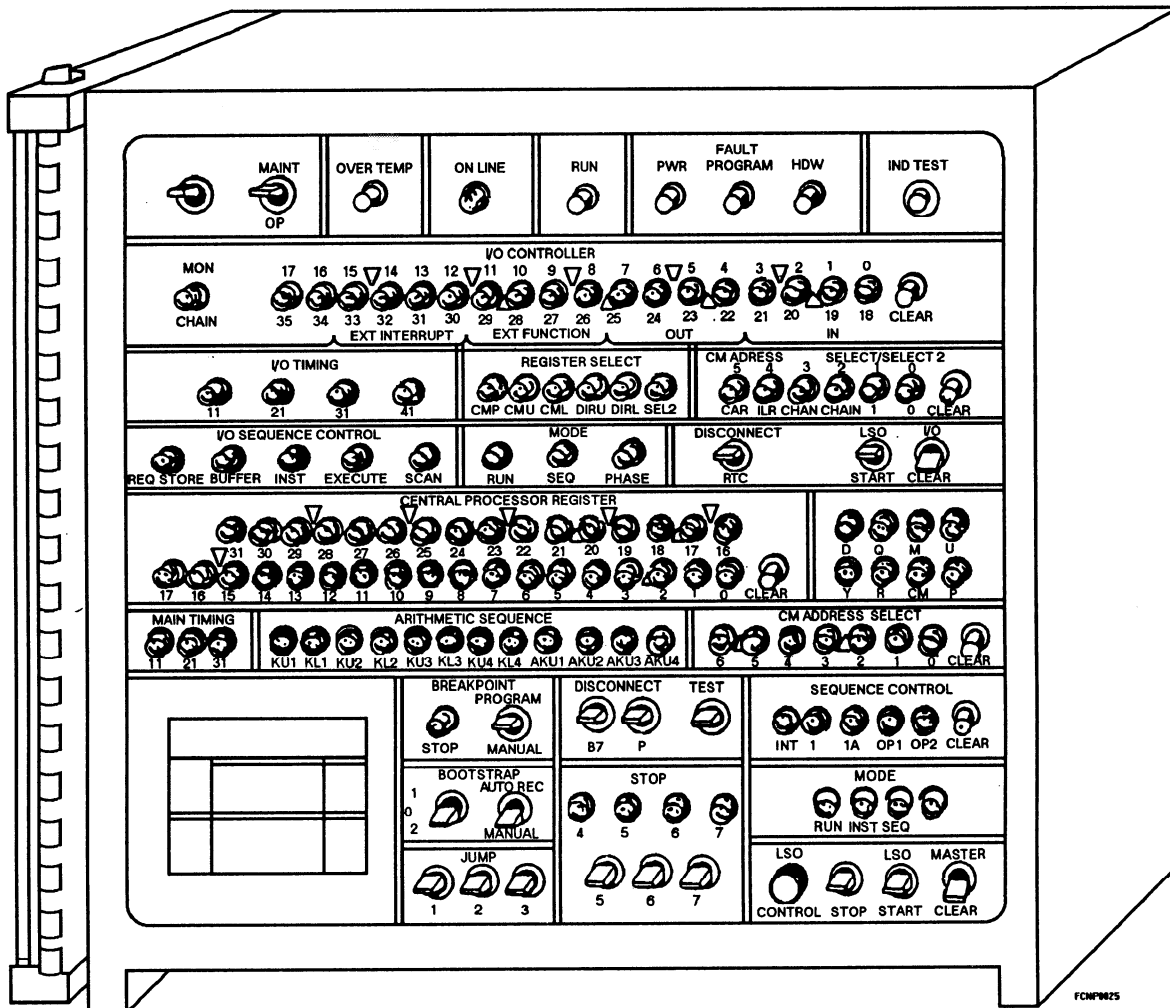


Figure 1-2.—Example of a maintenance console panel of a digital computer.

complex, and as systems are updated, the programs must be revised to meet the new demands of the fleet. Operational programs for mainframe computers are supported by technical teams external to the command. Two examples of mainframes are the AN/UYSK-7(V) and the AN/UYSK-43(V) computers. They are general-purpose, militarized, digital data computers with large-scale memories, I/O capabilities, and multiprocessing capabilities that allow a number of CPUs to operate simultaneously in the same system. They interface with other mainframes and peripherals in the data processing subsystem, the display subsystem, and the communication subsystem. Training is obtained through formal C schools and is NEC producing. Figure 1-3 is an example of one of the Navy's mainframe computers.

Some physical features of mainframe computers are highlighted as follows:

- Large rugged frame or cabinet —Contains individual modules or units; central processor unit (CPU), memory modules, input/output controller

and/or adapter unit with I/O connectors, heat exchangers for each module or unit, power supply unit(s), and blower motors for cooling.

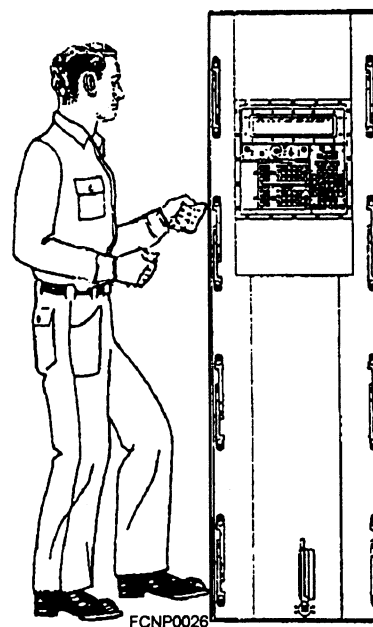


Figure 1-3.—Example of a mainframe computer.



- Operator console —Controls operation of the computer at the computer. This console/panel is usually located above the logic chassis but separate from the maintenance console/panel. It contains the controls and indicators necessary to initiate computer operations. You can turn on power to the system and load the operational program and start its execution.

- Remote console —Controls operation of the computer from a remote location. Performs the same functions as an operator console except it does not apply power to computer set.

- Maintenance console panel/display control unit (DCU) —Controls operation of the computer and is used to perform maintenance (preventive and corrective).

- Specific power requirements (frequency and voltage).

- Specific cooling requirements (air and/or liquid cooling).

### Minicomputers

Minicomputers are mid-range computers. They are smaller in physical size than the large mainframes used

for tactical and tactical support operations. They are also built for ruggedness. Minicomputers are capable of stand-alone or self-contained operation, or of being an embedded processor in a system or other type of digital device. Minicomputers are generally used in applications that don't require the faster computational speeds or larger memory capacities available on mainframes. These computers also have program flexibility. Minicomputers receive external technical support for the operational programs they use. The programs for minicomputers are updated as specific jobs or applications are updated and revised.

Some examples of minicomputers are the minis used as interface computers with communications or radar systems. Minis are also used as the host computers for the Shipboard Nontactical ADP Program (SNAP I, SNAP II, and SNAP III) Systems. Training for minicomputers is provided through formal A, C, and FTC schools and may be NEC producing. SNAP system training is an example of an NEC-producing school. Figure 1-4 is an illustration of a typical minicomputer.

Some physical features of minicomputers are highlighted as follows:

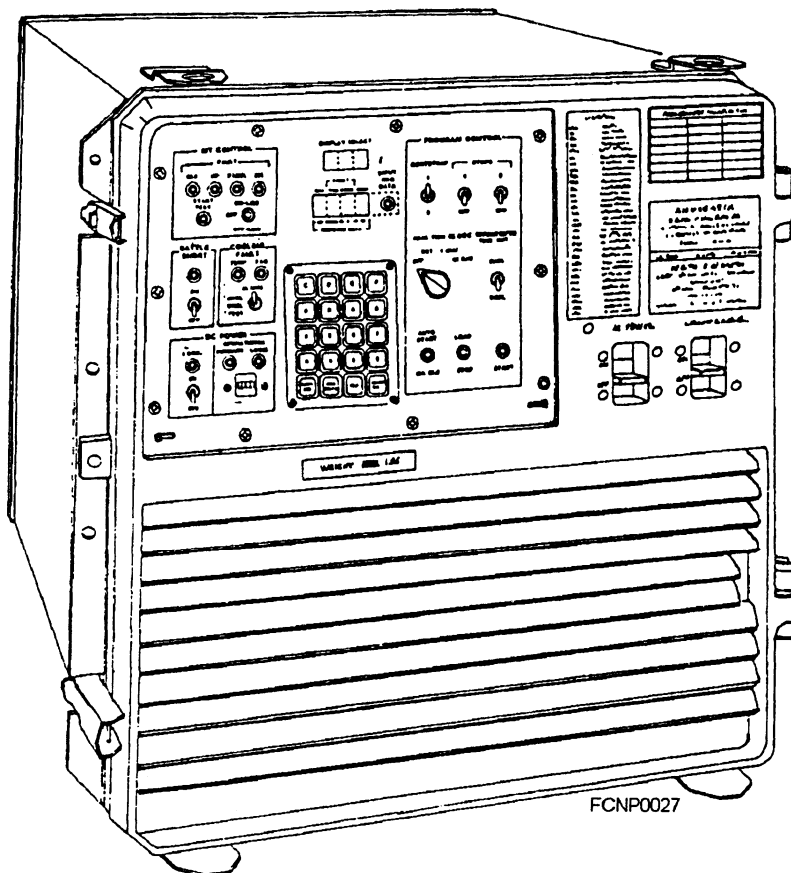


Figure 1-4.—Example of a minicomputer.

- Large to medium rugged frame or cabinet — Some frames or cabinets use a stationary or sliding chassis or assemblies or stationary racks or card cages that contain individual modules or printed circuit boards. The functional and support areas include a central processor unit (CPU), memory units, input/output controller boards for various peripherals, I/O connectors, power supply unit(s), and blower motors for cooling. (NOTE: Some minicomputer frames or cabinets also contain the peripherals-disk drive units, magnetic tape units, and paper tape units.)

- Control and Maintenance Panel (CMP) or computer control panel —Controls operation of the computer and is used to perform maintenance (preventive and corrective).

- Specific power requirements (frequency and voltage).

- Specific cooling requirements (air and/or liquid cooling).

#### Microcomputers

Microcomputers, personal computers (PCs), are small, lightweight, and portable. Some of them are more powerful than some of the older, larger mainframes and minicomputers. Microcomputers are unique in that the heart of the computer (the CPU) is contained on a single integrated chip (IC) and the entire computer system is contained on a handful of printed circuit boards located inside a small compact frame or cabinet. In some cases a complete microcomputer is located on a single chip; the CPU, co-processor, and memory. Some micros/PCs are high-speed, multi-user, multi-tasking units. Traditionally micros are used for word processing, database management, spreadsheets, graphics, desktop publishing, and other general office applications. Currently, micros and PCs are being used for tactical support systems, such as Naval Intelligence Processing Systems (NIPS) and Joint Operational Tactical System (JOTS). Micros and PCs can also be used as a SNAP system for shorebased operational commands, such as ASWOC. The operational programs for PCs used for a tactical support system are supported externally by technical teams. These operational programs are also updated as systems are added or replaced. Programs that are used for word processing, graphics, and so on are abundant and can be obtained through civilian vendors and software support teams such as Commander Naval Computer and Telecommunications Command (COMNAVCOMTELCOM). Training for microcomputers is obtained through formal A schools,

civilian contractor schools, and OJT. Training for micros is not NEC producing. Figure 1-5 is an illustration of a typical microcomputer.

The physical features of microcomputers are very different from mainframes and minis. The following is a brief description of a typical PC/desktop system.

- Small compact frame or cabinet —PCs are unique in that the frame or cabinet contains the majority of the components for a complete system. A typical PC frame or cabinet contains the following components:

- Backplane or motherboard for printed circuit boards
- A central processor unit (CPU) and memory printed circuit board(s) (pcb) (NOTE: In some cases the CPU and memory are located on the same pcb.)
- Input/output pcb
- Disk controller pcb
- Video controller pcb
- Data storage devices: Hard disk drive units, floppy disk drive units, and/or tape cassette units
- I/O connector: Parallel or serial communications
- A small fan: No special cooling requirements; the unit relies on ambient temperature of the room or space
- Power supply: No special requirements

- Display monitor — Display monitors are output devices for visual displays of data, and may have monochrome or color displays.

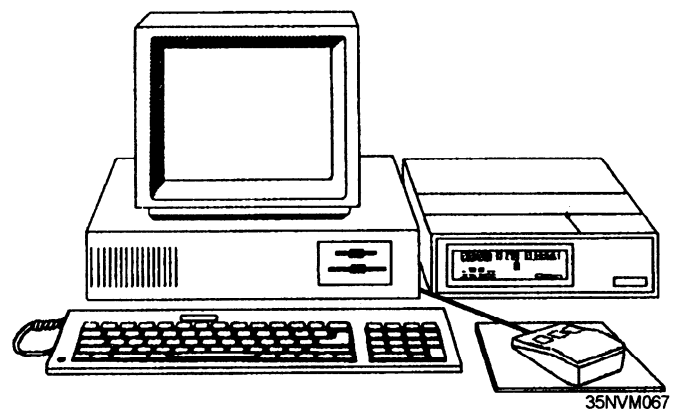


Figure 1-5.—Example of a microcomputer.

- **Keyboard** —Keyboards are input devices used to control operation of a computer.

- **Printer** —Printers are output devices for producing printed material.

- **Modem** —Modems are optional components used to communicate with mainframes, minicomputers, and microcomputers through existing phone lines.

- **Mouse** —Another optional component is a mouse. A mouse is an input device used to highlight text, move the cursor, and select commands and functions without using the keyboard. A mouse can be used in combination with a keyboard to control computer operations.

## TOPIC 2—FUNCTIONAL OPERATION OF COMPUTERS

At the heart of every data system is a computer. All digital data made available on any system has been processed by the computer. The computer oversees the operation of any data system. Through a coordinated series of interrupts, requests, and acknowledges, the computer exchanges data with other computers, peripherals, and the subsystems required for that system.

The signal flow between systems, subsystems, and equipment is all coordinated by the operational program of the computer(s). Exchange of signals between the systems, subsystems, and equipment is accomplished through a coordinated series of priorities where interrupts, requests, and acknowledges determine when the data will be exchanged. The type of data exchanged includes status signals, control signals, and data words. Interfacing between the computer(s) and other systems, subsystems, and equipment requires some type of cabling—standard shielded and unshielded cables, fiber-optic cables, and ribbon cables, and their associated connectors. Methods of interfacing include parallel and serial data transfers.

### OPERATIONAL USES OF COMPUTERS

You may have the opportunity of maintaining three basic types of data systems: tactical, tactical support, and nontactical. All three rely on one or more computers to make rapid calculations and make information available.

## Tactical Systems

A computer is the heart of the Combat Direction System (CDS)/Naval Tactical Data System (NTDS), which is a subsystem of the ship’s combat system. CDS/NTDS receives data from ship’s sensors and other ships using tactical data links. The CDS/NTDS consists of high-speed digital computers, peripherals, displays, communication links, and computer programs. The CDS/NTDS hardware is divided into three major equipment groups (subsystems) as follows:

- Data Processing Group
- Data Display Group
- Data Communications Group

The data these subsystems generate and feed back to the data processing subsystem is stored, processed, and distributed by the operational program. The computer is part of the data processing group and coordinates the operations within CDS/NTDS and makes the information available to other major subsystems within combat systems: radar/IFF, weapons (guns, missiles, and underwater), electronic warfare, and navigation. The CDS/NTDS is a real-time system. The type of computer used in a tactical data system is a mainframe such as the AN/UYK-7(V) or AN/UYK-43(V) computer. The number of computers used in a tactical data system depends on the class of ship and its configuration/setup. Figure 1-6 is a portion

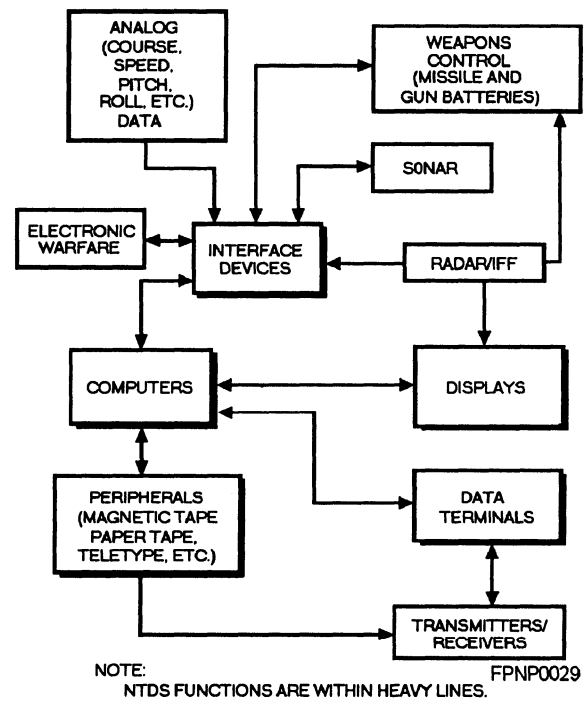


Figure 1-6.—Simplified block diagram of a tactical data system (CDS/NTDS).

of a simplified block diagram of a typical CDS/NTDS in a tactical data system.

Another example of a tactical data system is the Integrated Tactical Amphibious Warfare Data System (ITAWDS).

### **Tactical Support Systems**

Tactical support platforms include a variety of systems. Unlike tactical data systems, tactical support systems generally use either mainframes or micros as their operational computers. Depending on the system, tactical support systems can use a single computer or a multiple computer configuration. The computers in tactical support systems also interface with other computers, peripherals, displays, communication links, and operational programs. Let's look at three examples: ASW systems, JMCIS, and NIPS.

**ASW SYSTEMS.**— ASW systems deal primarily with antisubmarine warfare. They provide active and passive search, detection, tracking, and classification operations necessary to engage and destroy subsurface or surface targets. They support ASW airborne systems. ASW systems include the Antisubmarine Warfare Operations Center (ASWOC) and Carrier-Antisubmarine Warfare Module (CV-ASWM) systems. These systems use a single computer as their central point of operation.

The computers in these systems interface with the following subsystems or equipment within their subsystem:

- Command and Control Subsystem —Controls the data to and from this subsystem and other subsystems through the ADP Subsystem and Display Subsystem.

- Communication Subsystem —Allows communication between Maritime Patrol Aircraft (MPA) or Surface Units and/or ASWOCs, CV-ASWMs, and FHLTs. Communication is via secure voice or secure data networks.

- Fast Time Analysis System (FTAS) Subsystem (ASWOCs and CV-ASWMs only) —Analyzes acoustic and nonacoustic data provided by mission aircraft.

**JOINT MARITIME COMMAND INFORMATION SYSTEMS.**— The Joint Maritime Command Information Systems (JMCIS) is an informational data system used to provide data to designated flagships. It

is used to effectively conduct battle-management of the tactical situation. The JMCIS consists of a data processing subsystem and a video processing subsystem. The data processing subsystem includes desktop computers (DTC/TAC-n<sup>1</sup>) with single and dual monitors, printer plotters, and printers. The video processing subsystem includes high and low resolution monitors, large screen displays, and video switch. Communication between DTC/TAC-n in the data processing subsystem and video processing subsystem is accomplished via a Genser fiber-optic LAN. JMCIS gathers data from a variety of external links including OTCIXS, Flag communication, Fleet Broadcast, and Link 11 or Link 14.

**NAVAL INTELLIGENCE PROCESSING SYSTEM.**— Naval Intelligence Processing System (NIPS) integrates up-to-the-minute tactical intelligence with national and fleet-produced database intelligence information. Data is gathered from the Naval Modular Automated Communication System (NAVMACS), Ocean Surveillance Product (OSP), Generic Front End Co-Processor (GFCP), Automatic Tracking Point (ATP), Fleet Imagery Support Terminal (FIST), video diskplayers, and optical disk recorders, and, in turn, is disseminated to GFCP, ATP, and Tactical Aviation Mission Planning System (TAMPS). The NIPS uses the DTC/TAC-n in a LAN configuration as its operational computers. The other hardware interfaces include hard drives, color printers, plotters, tape backup units, a camcorder, and light table. The NIPS uses both MS-DOS and the UNIX operating system to process and manage its mapping/imagery workstation and message handler workstation. Depending on the vessel, the NIPS can be a basic system, as on a multipurpose amphibious assault ship (LHD), or it can be a much larger system with multiple workstations and remotes, as on a carrier (CV).

### **Naval Tactical Command Support Systems**

Naval Tactical Command Support Systems include those systems that handle data used for administrative purposes and office functions. They support organizational and intermediate-level maintenance, supply and financial management, and administrative applications. The types of computers generally used are minicomputers and microcomputers. Nontactical systems include the Shipboard Nontactical ADP Program (SNAP I, SNAP II, and SNAP III) Systems and PC.

---

<sup>1</sup><sub>n</sub> = configuration number.

**SNAP SYSTEMS.**— The SNAP systems are used primarily to reduce the administrative workload associated with equipment maintenance, supply and financial management, and personnel administration.

Because the SNAP systems differ in their subsystem configurations, we are only listing the equipment with which they are both capable of interfacing. Some SNAP systems communicate via modems and specialized interfacing techniques and hardware. SNAP computers interface with the following equipment:

- Disk drive units
- Magnetic tape drive units
- Keyboard/video display units (KVDTs)
- Printers—High speed, display, line, and word processing

Some SNAP systems use specialized communications hardware and interfacing methods. They use processors, adapters, and modems.

**PERSONAL COMPUTER/DESKTOP MICROCOMPUTER SYSTEMS.**— Personal computer/desktop microcomputer systems (PC) software enables PC systems to perform word processing, database management, spreadsheets, graphics, and desktop publishing. For these functions, off-the-shelf software packages can be installed in each PC system. There are also many programming languages

for programming the PC; they include BASIC, FORTRAN, COBOL, PASCAL, C, and many others. These languages allow you to design your own programs to perform functions exactly the way you want them. Figure 1-7 is a simplified block diagram of a PC system.

A PC can interface with other hardware. The following are examples:

- Secondary storage units—hard disk drive units, floppy disk drive units, and/or tape cassette units
- Monitor—color or monochrome
- Printer
- Modem

PCs can be operated as stand-alone systems or as remote units to a larger system. They can also be configured in local-area networks (LANs). With LANs, the PC can talk with other PCS and share data files, peripherals, and software.

## COMPUTER SYSTEMS CONFIGURATIONS AND SETUPS

The computer system you are working with must be correctly configured/setup or it will be useless for operational purposes. You will need to be able to configure and set up the computer system for both operational purposes and for maintenance. You need to be aware of two things—the hardware and the software.

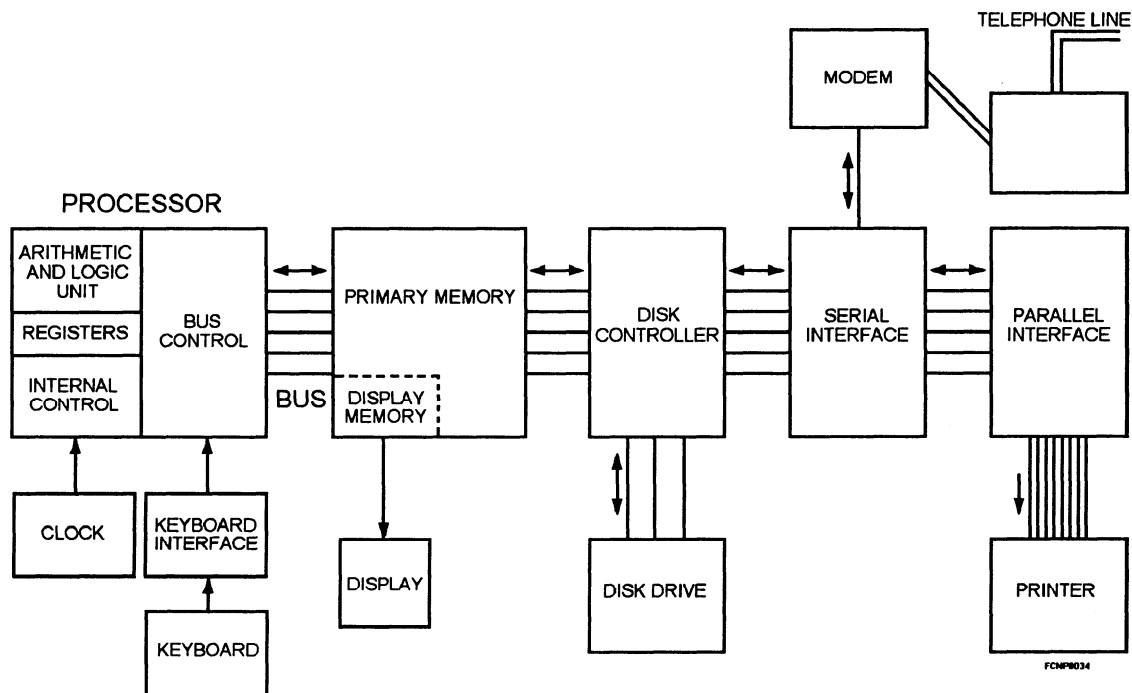


Figure 1-7.—A simplified block diagram of a PC system.

The type and number of computers that make up a system have a direct bearing on the configuration and setup of a system. Some systems require two or three computers connected in tandem. An example is a CDS/NTDS for a particular class of ship, which may use a three-bay/one-bay configuration for its CDS/NTDS. Others have only one computer. An example is a PC in an office setting.

## Hardware

When Configuring or setting up a computer system for operation or maintenance, check your computer's technical, system operations, or combat systems technical operations manuals for the correct physical setup. Set up includes the following:

- Physical design
- Operator controls
- External controls

**PHYSICAL DESIGN.**— The design of the computer system will predetermine how and where module units and printed circuit boards need to be inserted and where cables are to be connected. Once these items are correctly installed and connected, the next step is to ensure that all operator controls are in their correct positions.

**OPERATOR CONTROLS.**— Computers can be controlled directly at the computer and in some cases remotely through panels/consoles. Mainframe and large minicomputers usually have controls for the computer at your fingertips. You can control the computer from several panels/consoles as follows:

- Maintenance panel/console
- Operator panel/console
- Remote panel/console (usually only mainframes for tactical systems have this capability)

The types of controls these units most often use are discussed in more detail in chapter 3 of this manual. You can also control the computer's mode of operation directly from the computer's maintenance panel/console or operator's panel/console. This feature is not available on all computers.

Figure 1-8 shows a portion of a maintenance panel/console of a mainframe computer. For example, notice the mode select push-button indicator, jump switches, and stop switches. You can use the jump switches and/or stop switches when performing

maintenance to set parameters for a diagnostic on the computer.

**EXTERNAL CONTROLS.**— Some computers use external controls to configure and set up the computer to enable it to communicate with peripherals and other systems. These controls work in conjunction with the software. Unless these controls are configured and set up properly, the computer cannot perform its functions correctly. The controls may be set through digital switchboards or computer switching and control panels. Figure 1-9 is an illustration of a computer switching and control panel used on a CDS/NTDS system. Notice the push-button indicator switches available. You can use these to control the configuration and data routing.

## Software

Once you have the hardware of the computer physically configured and set up correctly, the correct software must be installed and correctly configured/set up. When we speak about configuring and setting up the software, we are referring to specifying the resources the software is to use—what peripherals the system has, what communications, how much memory, what options you want set as defaults, and so on. In this way the hardware and software can talk to each other. The software and hardware have to work hand-in-hand with each other. Depending on the type of computer and type of system application, the hardware and software have the ability to control and/or are dependent on each other. Perform the following procedures when working with software:

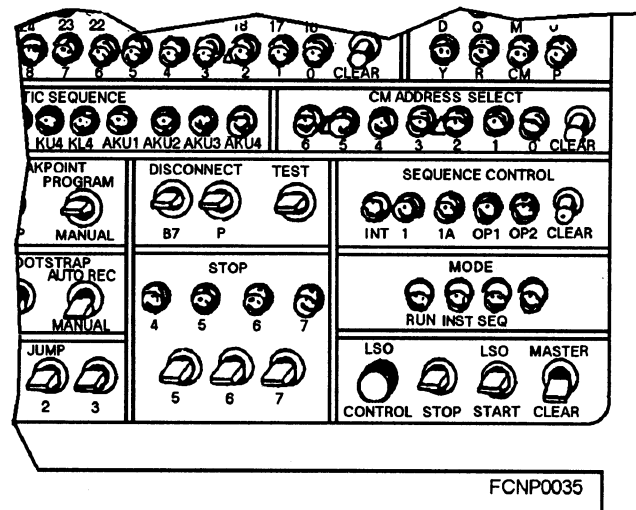


Figure 1-8.—A portion of a maintenance panel/console of a mainframe computer.

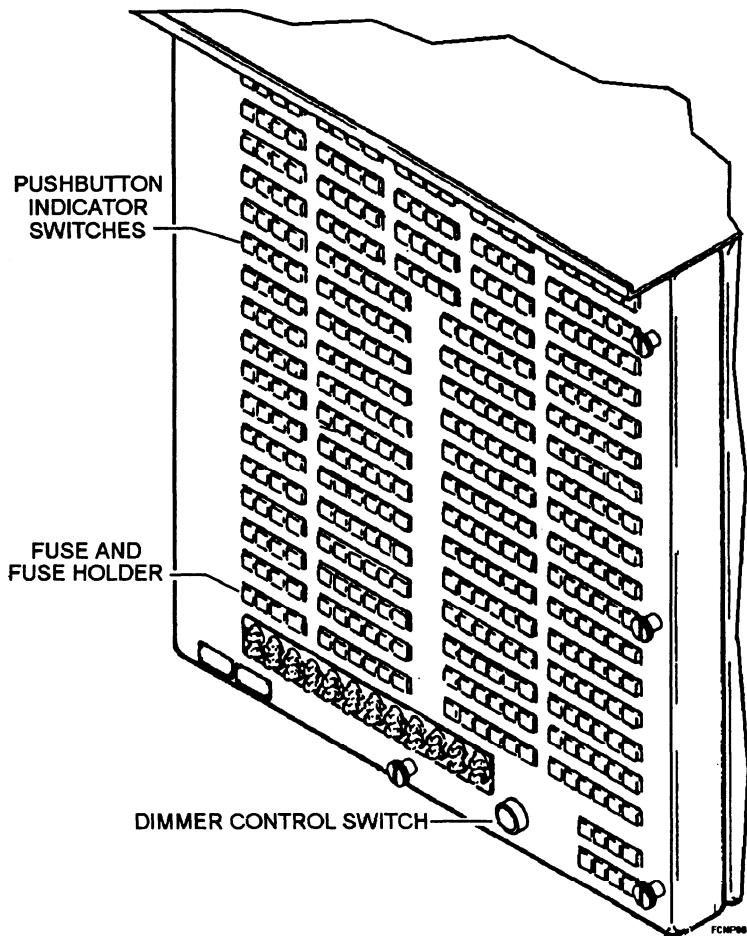


Figure 1-9.—Computer switching and control panel used on a CDS/NTDS system.

- Ensure you have the correct software for the type of system and type of computer
- Boot the computer
- Load the software via a peripheral device
- Initialize the system
- Monitor the computer for system operation and/or maintenance (tests—programmed and manual)

Your involvement with the software is directly dependent on the type of computer. Generally speaking, the bigger the computer system, the less involved you will be with configuring and setting up the software. All computer systems have an operating system to control their operations. An operating system is a collection of many programs the computer uses to manage its own resources and operations. These programs control the execution of other programs. The operating system used will depend on the type of computer and the systems platform. To communicate with the operating system of any computer, you need to

understand the operating system functions and the commands necessary to talk to it. This is also true of any applications software and utility programs you use. To communicate with any software, you need to know its functions and commands.

For mainframe computers used in tactical and tactical support applications, the software is designed by an outside support activity. With these systems you do not have to perform any initial configuration or setup of the software before using it. This has already been done by the activity that writes the operational program for the system's platform. The system operating commands you will use to talk to the computer to initialize and/or reconfigure the operational program are specific. Refer to your combat systems technical operations manuals (CSTOMs) or systems operations manuals (SOMs) for details.

For some minicomputer systems, such as the ones used for the SNAP I and II systems, the software has also already been configured and set up. You simply boot and initialize the system. System operating

commands for minicomputers are also specific. Refer to their system manuals and desktop guides for details.

The operational software a microcomputer uses can be off-the-shelf software or it can be software designed by an outside support activity to meet the specific requirements of a platform or system. Before a microcomputer may be used, you must configure and set up the software. When configuring and setting up the software for a microcomputer, there are several things you must be aware of. The operating system must be customized to the hardware of the computer system. This can be accomplished by following the step-by-step procedures in the users/owners manual. You will use operating system commands to setup the software to execute the program exactly as you have specified. For example, you could specify to the operating system program to automatically load a word processing program when the computer is turned on. You may want a beeper to alert you to a given situation such as when certain error conditions occur. You can set this. When using applications software with your operating system, you must ensure that the application software is compatible with the operating system. The application software will also use commands to execute its functions. Refer to operating systems and application software users manuals for details.

### ONLINE AND OFFLINE MODES OF OPERATION

Modes of operation are designed into the data systems and can be selected through hardware or software manipulation. Basically you can operate the computer either in an online or offline mode. What the computer can do in these modes depends on the type of computer and the software.

#### Online

When a computer is in the online mode of operation, it is performing operational functions. It is interfacing with other computers, peripherals, display systems, and communication systems to perform many tasks. And operationally, this means you must rely on the loaded software for the computer to perform its functions. The type of software the computer will use online will depend on the platform of the system (tactical, tactical support, and nontactical). A computer may perform the following types of operations in the online mode:

- Operational (includes application software)

- Maintenance (only when the computer's memory is large enough to accommodate the software can maintenance be performed while the operational program is still running)

#### Offline

In the offline mode of operation, a computer is limited to performing maintenance. The computer can be either powered or unpowered depending on the maintenance you are performing. When you take the computer offline, you remove the computer from controlling a whole system. The computer is limited to interfacing with only a single system, such as a display system or a peripheral system, to perform controlled tests or a diagnostic to test itself. In this mode some computers have the capability to not only operate in the run mode but other detailed steps such as instruction mode and sequence mode. These modes are quite useful for troubleshooting malfunctions that can't be isolated using diagnostics or self-tests. Figure 1-10 shows the operating mode selections of a mainframe computer.

In the offline mode, you can perform the following types of maintenance:

- Preventive maintenance —Testing the computer using program controlled tests and internal tests such as diagnostics and self-checks; and cleaning filters, heat exchangers, and so on.
- Corrective maintenance —Troubleshooting the computer using program controlled tests and manual tests to isolate faults; and repairing faults by replacing bad parts or using solder and solderless techniques.

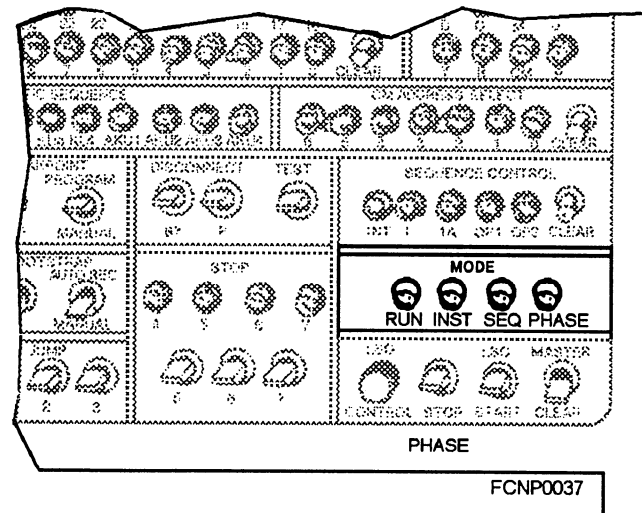


Figure 1-10.—The mode selections of a mainframe computer.



## BATTLE SHORT MODE OF OPERATION

The battle short mode is used when it becomes necessary to run the computer continuously even though an overtemperature condition exists. The activation of a battle short switch will bypass overtemperature protection interlocks and power will be maintained to the computer for continued operation. An overtemperature condition is a result of a failed assembly or inadequate cooling. The requirement to run the computer continuously in an overtemperature condition usually only exists under battle conditions. Some computers are also equipped with a horn to warn an overtemperature condition exists.

## OPERATIONAL CAPABILITIES AND LIMITATIONS

It is important to know the capabilities and limitations of the hardware and software of any system you maintain. It is equally important to know whether the system can operate at reduced capability and still accomplish its mission. Some systems are designed with more than one computer (CPU), sufficient memory, and enough peripheral devices to enable them to function even when some devices are down. The

operational capabilities and limitations of a computer system can be controlled at the equipment through switchboards or control panels, or through commands to the software using an I/O device to talk to the computer. Figure 1-11 is an illustration of a digital fire control switchboard used on a CDS/NTDS to interconnect the computer to equipments and other major systems.

To find out the capabilities and limitations of a computer system, refer to your system operating manuals (SOMs) or combat systems technical operations manuals (CSTOMs) for details.

CDS/NTDS is an example of a system that uses a three-bay/one-bay computer configuration. This means it has four CPUs and can still meet its mission even if one of the CPUs is down. The term *reduced capabilities* means the computer system can perform its mission with fewer resources. Resources may be unavailable as a result of a casualty to a computer. If the memory of the computers allows it, you can take one of the computers offline to perform training. You can reduce the operational capability through the software using an I/O device to take the computer offline. This can be accomplished using operating system functions (commands). An example would be

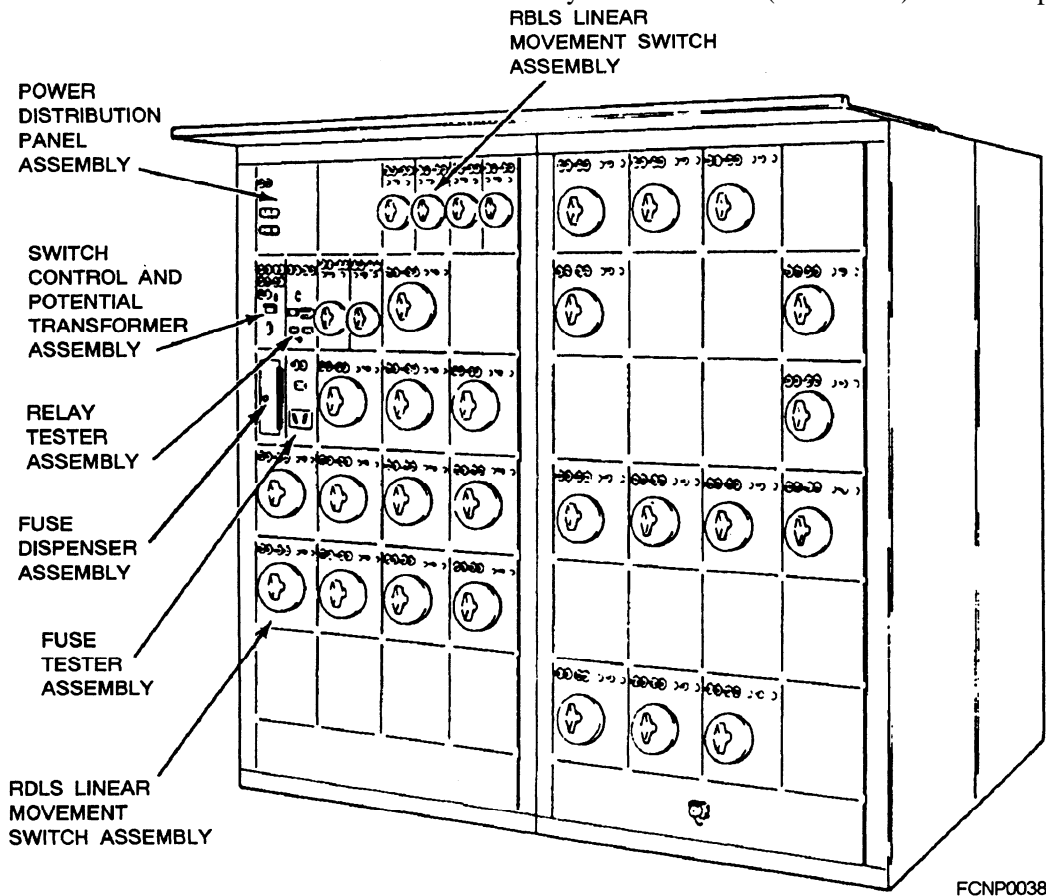


Figure 1-11.—A digital fire control switchboard used on a CDS/NTDS.

a CDS/NTDS that normally uses a three-bay/one-bay computer configuration to operate at full capability. Because of a casualty to the one bay, that bay is dropped offline. The CDS/NTDS can still perform its basic mission, but the system is reduced because not all four computers are being used.

Devices that are used to bring the computer to reduced capability are switchboards and computer control panels. The operational program (software) must also be reconfigured to reflect the hardware reconfiguration. This can be accomplished at an I/O device using operating system functions (commands). Again refer to the SOMs or CSTOMs for exact details of your system's capabilities and limitations and the hardware and software required to reconfigure it.

## OPERATIONAL REQUIREMENTS OF COMPUTER SYSTEMS

Effective operation of computer systems also depends on security and on controlling electromagnetic disturbances. You'll need to pay particular attention to ADP security and electromagnetic interference (EMI). Lack of attention to these factors can seriously jeopardize the security and operation of a computer system.

### ADP Security

The security of computers depends on administrative and physical controls. The administrative requirements (directives and instructions) will provide the policy and procedures to follow to meet the physical requirements. Let's highlight some of the things you will handle on a regular basis that require protection to ensure the security of the computer system.

- Data and information —For tactical and tactical support systems, the data the computer handles and makes available is classified. (Includes COMSEC material for tactical data links).

- Passwords —Used with nontactical systems (SNAP) to ensure only authorized users gain access to the computer system.

- Operational programs on magnetic tape, disk, and disk packs—For tactical and tactical support systems, these programs and any revisions (program patches) are classified. For nontactical systems, the operational programs may be copyrighted and require protection to avoid misuse.

- Safe combinations —For controlled spaces where computers are used.

- Computer —Computers must be safeguarded; they are an ADP asset.

Be sure you know where the emergency destruction procedures for the computer system are. They should be readily available. For more detailed information on guidelines that will aid in the security of computers, refer to OPNAVINST 5239.1, *Department of the Navy Security Program for Automatic Data Processing Systems* and OPNAVINST 5510.1, *Department of the Navy Information and Personnel Security Program Regulation*.

### Electromagnetic Interference

Electromagnetic interference (EMI) is an electromagnetic or electrostatic disturbance that causes electronic equipment to malfunction or to produce undesirable responses or conditions that do not meet the requirements of interference tests. You must be more aware of the problems EMI causes and the solutions required to resolve these problems. No magic is involved in reducing or eliminating EMI. Everyday common sense approaches to maintaining equipment will resolve many problems caused by EMI.

**TYPES OF EMI.**— There are three types of EMI—natural, inherent, and manmade.

**Natural EMI.**— Natural interference is caused by natural events, such as snowstorms, electrical storms, rain particles, and solar radiation. It can cause problems with rf data links between shore, ship, and air, but few problems with modem digital data equipment.

**Inherent EMI.**— Inherent interference is noise within a piece of electronic equipment and is caused by thermal agitation or electrons flowing through circuit resistance.

**Manmade EMI.**— Manmade EMI is produced by a number of different classes of electrical and electronic equipment. The equipment includes, but is not limited to, transmitters, welders, power lines, motors and generators, lighting, engines and igniters, and electrical controllers. A number of these devices can cause severe EMI, which can degrade the operation of shipboard and shorebased computer systems.

EMI can be classified by its spectrum distribution. It can be either broadband or narrowband interference. These terms refer to the frequency spectrum the interference covers.

Narrowband EMI consists of a single frequency or a narrowband of interference frequencies. Narrowband EMI usually has a minor effect on communications or electronic equipment. It can be tuned out or filtered out.

Broadband EMI is not a discrete frequency. It occupies a relatively large part of the electromagnetic spectrum. It causes the majority of EMI problems in digital data equipment. It will be especially noticeable data on Link 11.

**CONTROL OF EMI.**— EMI can be controlled or eliminated if some simple procedures are followed and good installation practices adhered to. Let's look at control and reduction for shipboard and shorebased installations. Many of the problems are the same for both installations.

**Shipboard EMI Control.**— Shipboard EMI control is greatly simplified for the typical digital data installation. Because of the ship's steel hull and construction, a great deal of shielding and isolation are provided the typical shipboard computer room or digital equipment space. This blocks out the majority of broadband interference generated both internally and externally. Five major factors are considered in a shipboard computer and digital equipment installation. They are equipment location, equipment shielding, system and equipment grounds, interconnection cabling, and power source.

- **Equipment location** —Computers should be located in spaces that are free of sources of EMI. They should not be located in spaces that contain radars, radio transmitters, generators, or other rotating machinery.

- **Equipment shielding** —Digital computers should never be operated with drawers extended, cover plates removed, or doors open. Modem computers contain EMI-reducing gaskets and shields that enclose the equipment. Always reinstall cover plates with all the fasteners in place. If a cover plate or shield has to be removed in the course of corrective maintenance, ensure that the EMI reducing contacts or wire gaskets on the equipment opening are in good condition before the cover or shield is replaced.

- **System and equipment grounds** —System and equipment grounds are extremely important in digital computer installations. All cabinets should be grounded together on a common system ground bus. Each equipment cabinet is connected to the system ground by a heavy ground cable. The system ground is securely attached to the hull of the ship and provides a

good ground reference for the system. Paint on ground straps or on the metal decks where the ground straps are mechanically attached will result in poor electrical connections.

- **Interconnecting cables** —All interconnecting cables used in a shipboard digital data system should be shielded cables. They should be assembled correctly according to installation drawings. The shield and connector shell should be electrically connected and properly secured at either end. The cables should never be run in the same cableways as cables carrying rf signals or high-power pulse cables. The shielding protects the data cables from EMI to a great extent.

- **Power source** —Power lines for digital computers can provide a transmission path for EMI from machinery spaces. The majority of input power passes through noise elimination filters as it enters computers. Unusual random problems in digital computers can sometimes be traced to defective line filters.

**Shorebased EMI Control.**— Control of EMI at a shorebased installation requires the same consideration or the same factors as a 'shipboard system with two additions-site location and soil quality.

- **Site location** —Shorebased digital data equipment sites are sometimes built where the need dictates or where a convenient building is available. They are not always ideal sites. Sites built near a large industrial complex such as a shipyard repair facility (SRF) or a naval depot (NADEP) may be subjected to EMI. They also can cause power line fluctuations if the power source of the shore site and the SRF and NADEP are the same. Additional line filters and regulators for power lines may also be required to reduce EMI and provide line power within the limits prescribed by equipment manufacturers.

- **Soil quality** —At a shore installation, a system ground bus is usually attached to a grounding rod driven into the soil. If the soil is dry, sandy, rocky soil as found in the Southwestern United States and some places overseas, you will have a poor ground. A suspected system ground can be checked with an oscilloscope and 1:1 probe. Refer to *Electromagnetic Compatibility*, NAVLEX 0967-LP-624-6010, for more information.

**DIRECTIVES.**— Many directives provide guidelines to follow for avoiding or reducing the effects of EMI. The EIMB handbook entitled *Electromagnetic Interference Reduction*, NAVSHIPS 0967-LP-000-0150, includes topics of shipboard EMI

tests and operating practices for EMI reduction. MIL-STD-1310 entitled *Shipboard Bonding, Grounding, and Other Techniques for Electromagnetic Compatibility and Safety*, is a military standard for the proper construction of bonding straps and grounding, cables. It is the reference for all shipboard electromagnetic capability (EMC) installations. It contains drawings that depict the proper shape of and lists materials required to construct bonding straps and grounding leads for shipboard electrical/electronics installation.

The Naval Shore Electronics Criteria handbook, *Electromagnetic Radiation Hazards*, NAVSEA OP 3565 Volumes 1 and 2, (parts 1 and 2) (NAVELEX 0967-LP-624-6010) has information on the reduction of EMI at shorebased facilities. All facets of grounding, shielding, and equipment bonding are contained in this highly informative handbook.

*The Handbook of Shipboard Electromagnetic Shielding Practices*, NAVSEA S9407-AB-HBK-010, provides specifications for cable spacing/shielding requirements and installation procedures that will minimize the effects of electromagnetic interference (EMI) on electronic equipment installed in naval vessels. It is intended for use by ship designers, planning engineers, personnel engaged in the installation of electronic equipment, overhaul and repair shipyards, tenders, and other repair and installation activities.

## **SUMMARY—FUNDAMENTALS AND OPERATIONS OF COMPUTERS**

This chapter has introduced you to computer functions, types of computers (mainframe computers, minicomputers, and microcomputers), operational uses, modes of operation, capabilities and limitations, and operational requirements. The following information summarizes important points you should have learned:

**COMPUTER FUNCTIONS**— Computers gather, process, store, disseminate, and display data. Data may be gathered manually or automatically or by a combination of both. Once processed, it can be stored either internally in memory banks or externally on disk or tape. Data maybe disseminated and stored, or it may be sent to a display device.

**MAINFRAME COMPUTERS**— Mainframe computers are large computers. Those used aboard Navy vessels are designed for ruggedness and are general-purpose, digital data computers with

multiprocessing capability. They usually have operator and remote consoles and a maintenance panel/display control unit (DCU). They have specific power and cooling requirements.

**MINICOMPUTERS**— Minicomputers are mid-range computers. They are capable of stand-alone (self-contained) operation, or they maybe an embedded processor in a system or other type of digital device. They usually have a control and maintenance panel (CMP) or computer control panel. Like the mainframe, they have a rugged frame when used aboard ship, and they have specific power and cooling requirements.

**MICROCOMPUTERS**— Microcomputers (personal computers) are small, lightweight computers. Their central processing unit is contained on a single integrated chip (IC) and the entire computer system is contained on a handful of printed circuit boards in a small compact frame or cabinet.

**FUNCTIONAL OPERATION OF COMPUTERS**— Computers exchange data with other computers, peripherals, and subsystems through a coordinated series of interrupts, requests, and acknowledges. The signal flow is coordinated by the operational program.

**INTERFACING**— Interfacing between the computer and other systems, subsystems, and equipment includes cabling and associated connectors. Methods of interfacing include both parallel and serial data transfers.

**OPERATIONAL USES**— Operational uses of computers include tactical and Naval Tactical Command Support Systems.

**COMPUTER SYSTEM CONFIGURATIONS**— Each system must be configured for operation and maintenance. The hardware and software must be compatible and must be set up to work together.

**MODES OF OPERATION**— Computer systems may be operated in online, offline, and battle short modes. Maintenance may be performed online if there is enough memory; otherwise it will be performed offline. Battle short mode is used when it is necessary to run the system continuously even though an overtemperature condition exists.

**OPERATIONAL SYSTEM REQUIREMENTS**— The operational capabilities and limitations can be controlled at the equipment, or through switchboards, control panels, or commands to the software. Effective operation depends on adherence to

ADP security requirements and reducing electromagnetic interference.

Study the block diagrams and technical manuals and learn all you can about how the computer operates.

You will also need to be able to operate the computer using maintenance and operator panels, display control units, and keyboards. You need to be familiar with operating the computer locally and remotely.



## CHAPTER 2

# COMPUTER CONFIGURATIONS AND HARDWARE

### INTRODUCTION

As a technician you must be able to recognize the different types of computers to maintain them. The functional units of any computer are consistent, no matter what type of computer you are maintaining. Your main concern will be the architecture of the computers you maintain. Mainframe computers and minicomputers are usually housed in large- to medium-sized frames or cabinets suited for ruggedness. Microcomputers are housed in compact frames built more for their portability. If you can understand the architecture and general physical makeup, then you can maintain any type of computer. Technical manuals, owners' manuals, desktop guides, and system operating manuals are all excellent sources of information that you can use to learn the configuration of a specific computer system and its physical makeup.

**After completing this chapter, you should be able to:**

- **Interpret the various types of diagrams and layouts used to specify unit configurations**
- **Describe the major hardware parts of a computer system**
- **Describe the unit connectors and cables of computer systems**
- **Describe the types of cooling systems used with computers**

---

### TOPIC 1—COMPUTER CONFIGURATIONS/LAYOUTS

To be an effective technician, you must be familiar with the computer-inside and out. You must be able to understand the hardware as well as each of the functional units by using technical documents. The computer's technical manual will be your most reliable and effective source. Technical manuals usually start with a general description of the computer and become more detailed when discussing the hardware and each functional area of the computer. As a reminder, you must ensure you use the most current documentation when you perform maintenance on a computer. This is a **MUST**.

In our discussion of the computer in this topic, we examine the computer from two aspects—the

functional layout and the physical layout. Let's begin by examining how computers are functionally configured.

### FUNCTIONAL BLOCK DIAGRAMS OF COMPUTERS

A functional block diagram provides you with a general analysis of the principles of operation of the overall equipment, types of signals and their directional flow, and the major functional areas. Functional block diagrams can be of two types—the **overall functional block diagram of the computer** and the **individual functional block diagrams of each functional unit**. You can use both to gain a better understanding of the computer.

## Overall Functional Block Diagrams

Overall functional block diagrams will show the functional areas of the computer and the supporting functions, such as power, cooling, and control of the computer. They will also show the types of signals exchanged between the functional areas and the supporting functions and the direction of signal flow. Figure 2-1 is an example of an overall functional block diagram of a computer.

Overall functional block diagrams are very useful when you perform corrective maintenance. After you have identified and elaborated on a problem, you can use the overall block diagram for the **“listing of probable faulty functions.”** This will help you in your next step in the troubleshooting process— **“localizing the faulty function.”** The overall functional block diagram can help you stay in the right area when troubleshooting.

## Individual Functional Block Diagrams

Once an overall description has been presented, the technical manual will give a general description of each

functional area separately. These will include the major functional areas (CPU, I/O, and memory); the supporting functional areas (power supply and any special cooling requirements); and control of the computer (maintenance console/panel or display control unit and remote console/panel). When each functional area is described individually, an accompanying functional block diagram of that area will follow. Individual functional block diagrams can help you in your troubleshooting once you have “localized the faulty function.” They provide a more detailed analysis of how that specific area of the computer operates. See figure 2-2 as an example of an individual functional block diagram of a CPU.

## FUNCTIONAL LAYOUTS OF COMPUTERS

Functional layouts will show the major functional areas of the computer—CPU, I/O, and memory. Figure 2-3 is an example of an individual functional layout for a basic single cabinet configuration.

Systems that use a multiple configuration with more than one computer will also be depicted using an

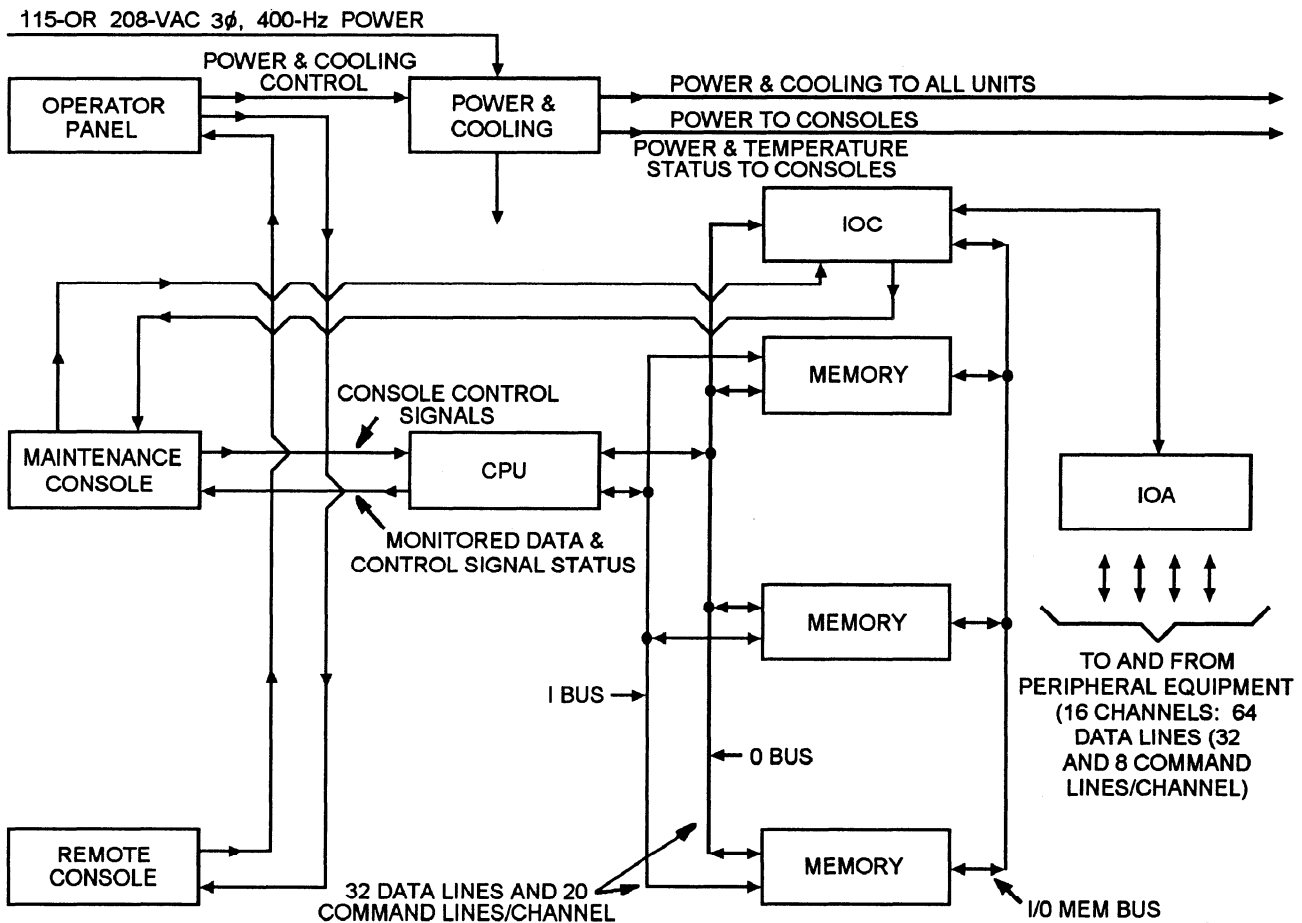
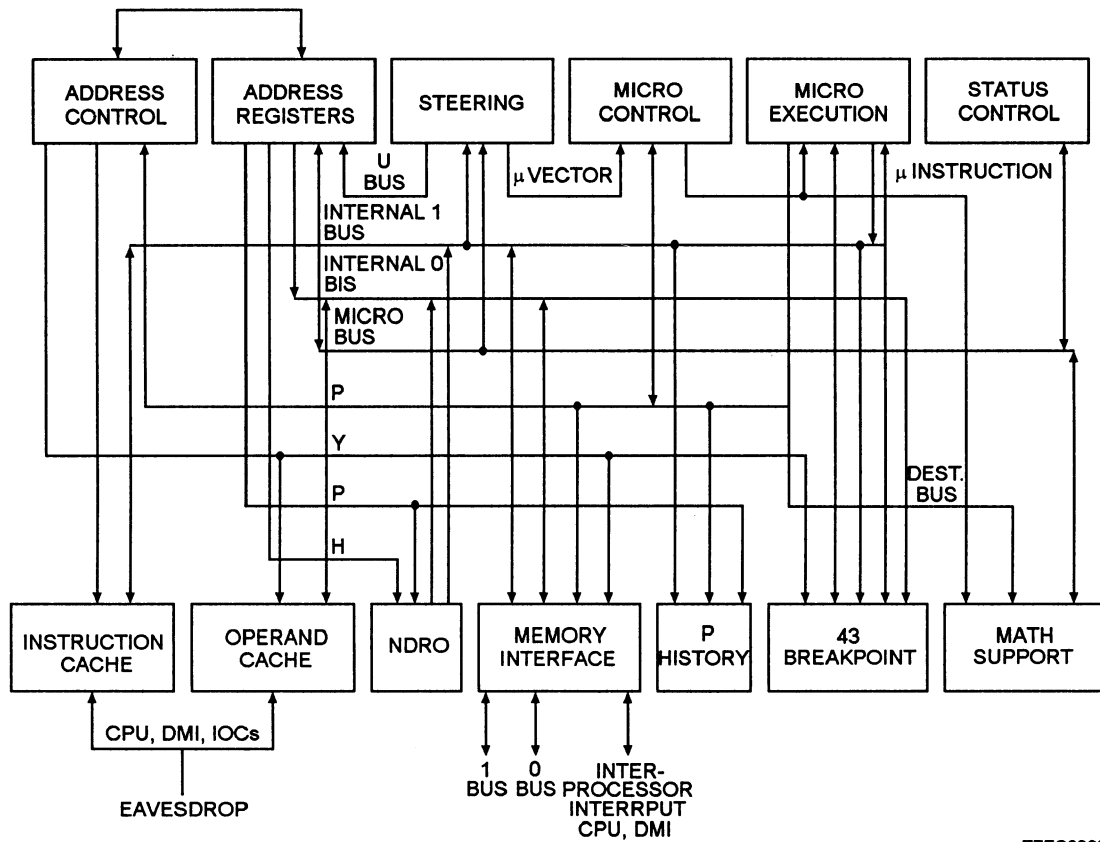


Figure 2-1.—Example of an overall functional block diagram.

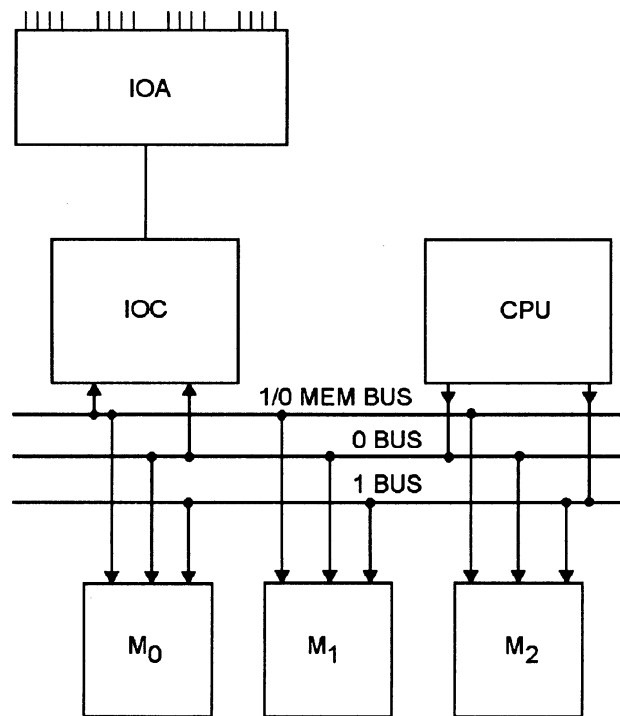
ETFC0001





ETFC0002

Figure 2-2.—Example of an individual functional block diagram of a CPU.



NOTE: DATA ON BUS LINE IS BIDIRECTIONAL ARROWS  
JUST INDICATE DIRECTION OF REQUEST  
CONTROL SIGNAL

ETFC0003

Figure 2-3.—Example of an individual functional layout of a single cabinet configuration.

overall functional layout. Figure 2-4 is an example of a functional layout of a multiconfiguration computer system.

## PHYSICAL LAYOUTS OF COMPUTERS

Physical layouts provide you with a “picture” of the computer. They are designed to show what the computer looks like and where each assembly, module, or console (maintenance and operator) of the computer is located. Physical layouts do NOT depict detailed descriptions of signal flow. Let’s take a look at some of the ways computers are physically laid out.

### Overall Physical Layout of Computers

Overall physical layouts will show you where each of the major parts of a single computer/computer set is located. The physical layouts and the terminology will vary with the type of computer and the manufacturer. The technical manual of each computer will provide you with the physical layout of that computer. Let’s take a look at four types of physical layouts—modular, chassis or assembly, cage or rack, and motherboard or backplane.

**MODULAR.**— The functional areas of the computer are modularized. In other words, the functional areas only contain the hardware for the function specified. For example, the module

designated as the CPU only contains the subassemblies or printed circuit boards for the CPU functions. Figure 2-5 is an example that depicts the physical layout of a single mainframe computer set. Notice the modular layout. Also keep in mind that data systems that employ a multiple configuration will depict the minimum physical layout configuration AND the full physical layout configuration.

**CHASSIS OR ASSEMBLY.**— Chassis or assemblies usually are door mounted or slide mounted. Computers that use chassis or assemblies may contain one or more chassis or assemblies for the whole system. For example, one chassis may be dedicated only for memory, one for the power supply, and a third chassis or assembly for the rest of the computer (the CPU and the I/O). One to several subassemblies or printed circuit boards (pcb’s) may comprise the CPU, I/O, or memory. Figure 2-6 is an illustration of a chassis used in a minicomputer.

**CARD CAGE OR RACK.**— A card-cage or rack-designed computer will generally contain the major functional areas of a computer. The card cage or rack is usually centrally mounted in the overall computer chassis. The number of subassemblies or pcb’s contained in a card cage or rack can vary from just a few to many depending on the technology of the computer. One or more pcb’s may comprise a functional area. A card cage or rack is fixed in a single position; it does not slide out or swing open like a door.

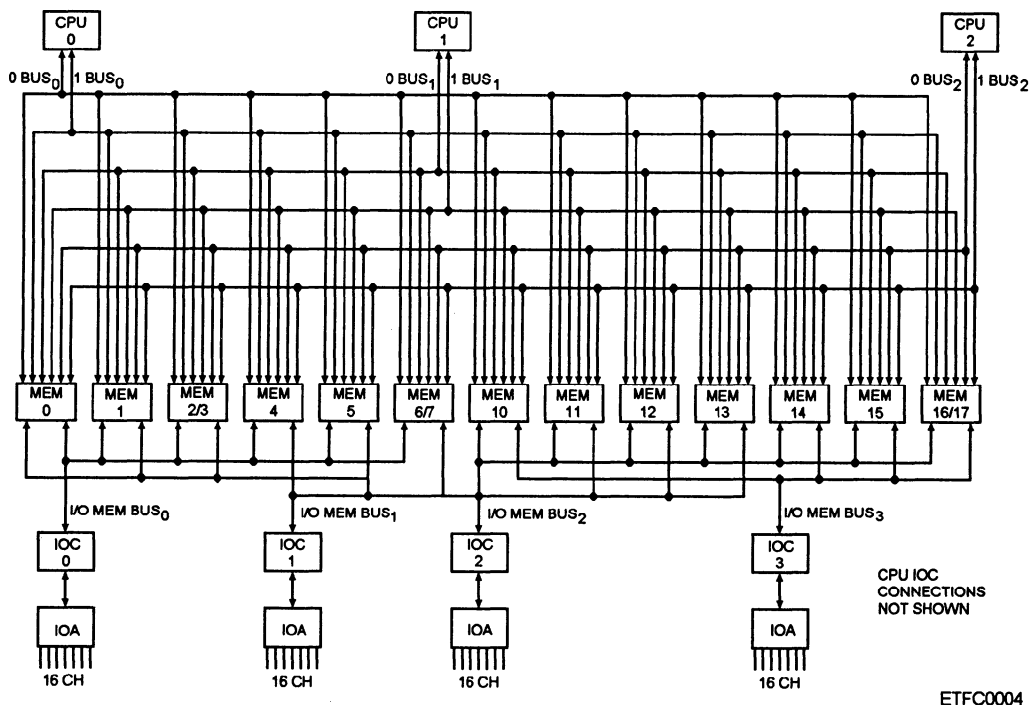


Figure 2-4.—Example of a functional layout of a multiconfiguration computer system.

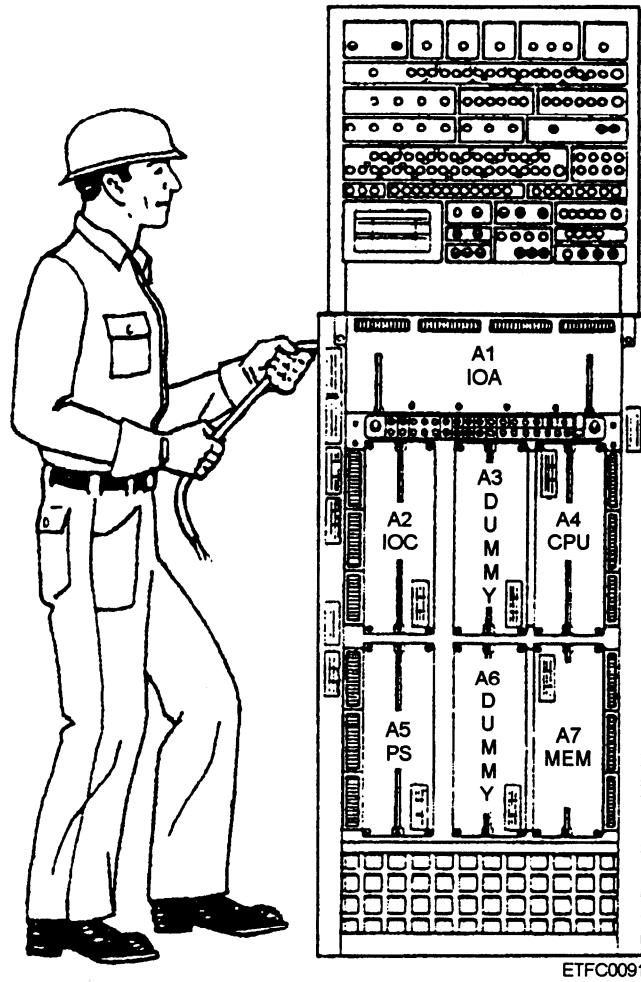


Figure 2-5.—Physical layout of a single mainframe computer set.

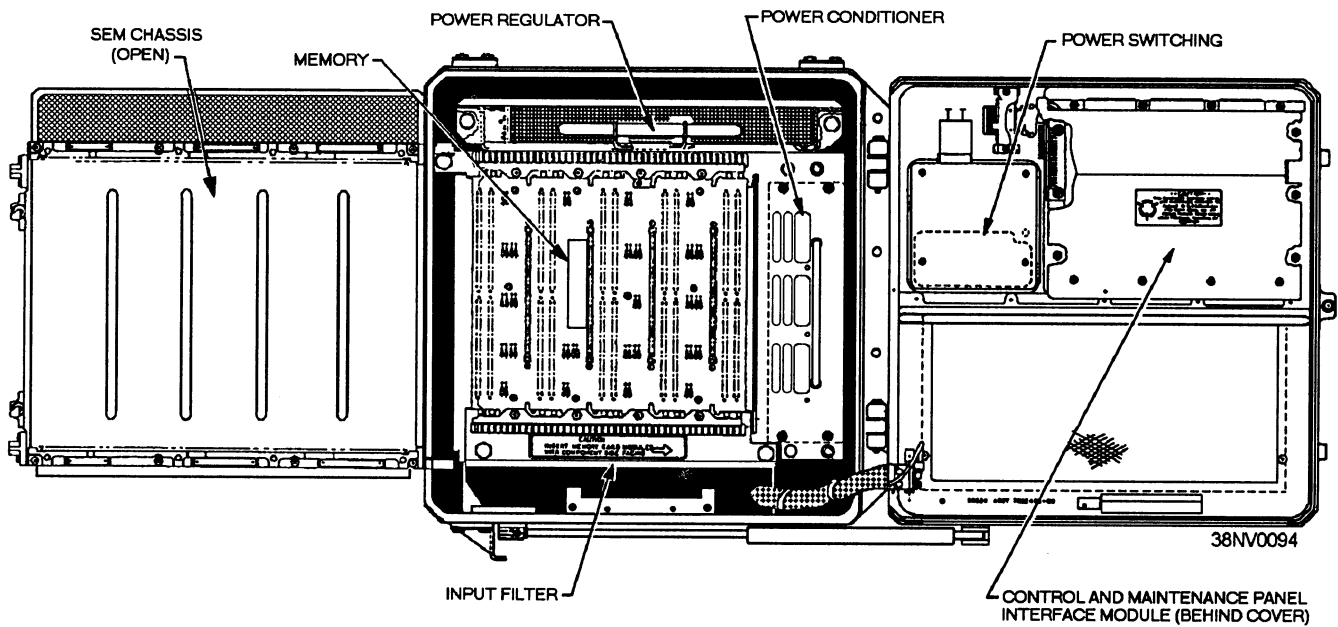


Figure 2-6.—Example of a chassis used in a minicomputer.

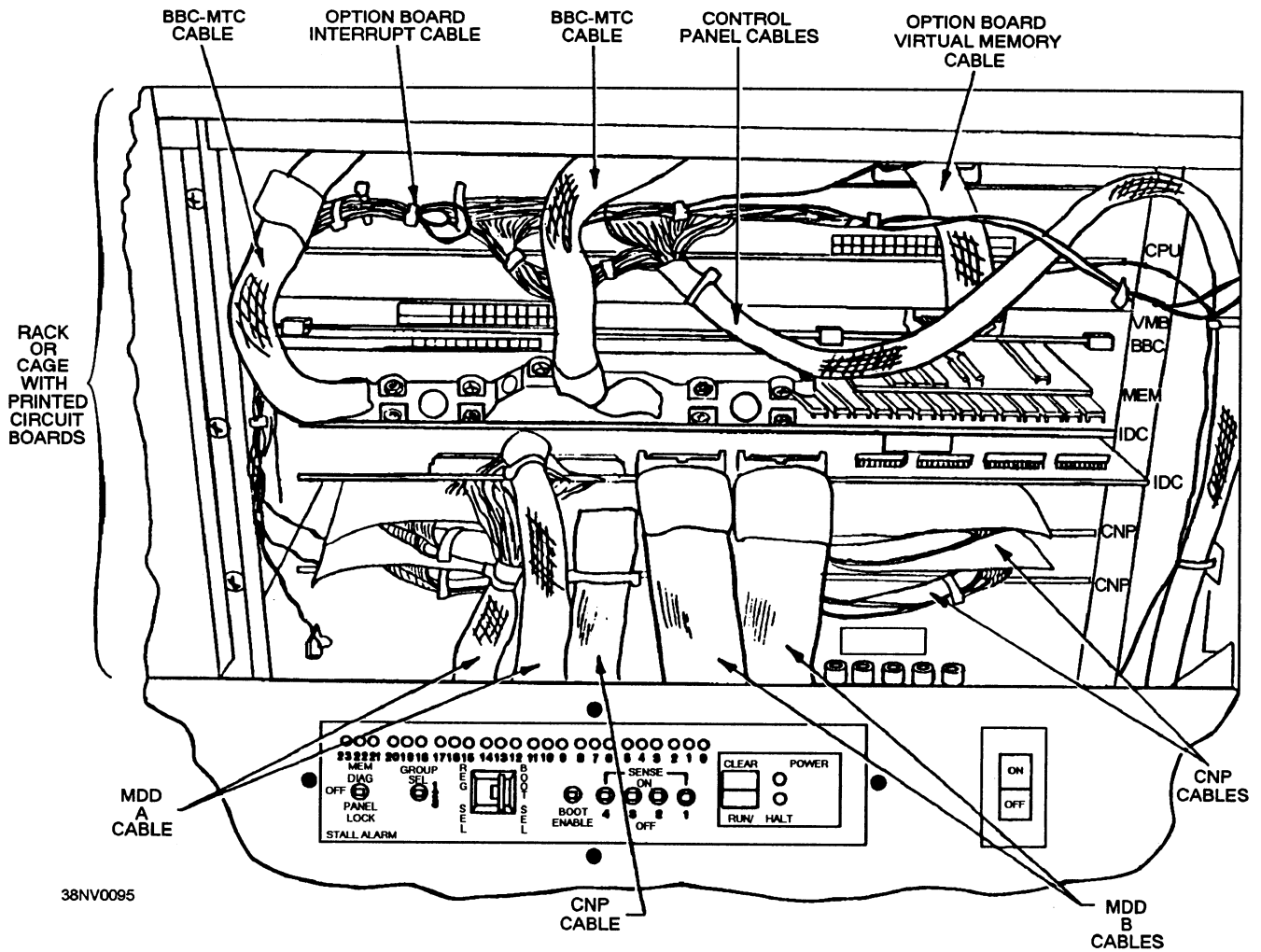


Figure 2-7.—Physical layout of a card cage or rack used in a minicomputer.

Figure 2-7 is an example of a card cage or rack used in a minicomputer.

**BACKPLANE OR MOTHERBOARD.—**

Backplanes or motherboards are stationary and are generally located inside the computer's chassis. In this arrangement, all the subassemblies or pcb's needed to run the computer are contained on a single backplane or motherboard. The number of fictional areas contained on a single subassembly or pcb may vary according to the technology of the computer. Computers that use a backplane or motherboard are compact. Figure 2-8 is an example of a backplane used in a microcomputer.

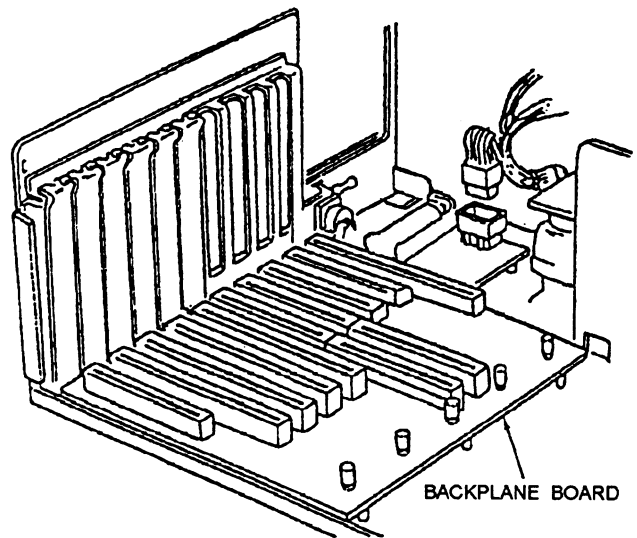


Figure 2-8.—Example of a backplane used in a microcomputer.

**Individual Physical Layouts of Computer Parts**

Using individual physical layouts, the technical manuals depict each part of the computer separately. By separating each major part of the computer, you can break down the computer from a whole unit to the

frame/cabinet to see how subassemblies or printed circuit boards are laid out in each assembly, chassis, or module. Check your computer's technical manual for specific details.

Examples of the parts of a computer that are depicted in individual physical layouts are the following:

- Maintenance and operator console/panel location and its identification of individual computer controls
- Display control unit location and identification of its individual controls
- Remote console/panel location and identification of its individual computer controls
- Mainframe or cabinet and its contents
- Assemblies or chassis and their contents
- Subassembly or printed circuit card locations and their component locations

Figure 2-9 is an example of an individual physical layout of a module used in a mainframe computer. Notice how the contents of the module are physically laid out.

For some computer units/parts, individual physical layouts are not provided in the technical manual. For example, a layout would not be provided for a power supply in a microcomputer that is sealed. You only need to determine that the power supply has a faulty output and turn the power supply in for a replacement. If you never have a reason or are never required to open a unit/part to repair it, there is no need to have an individual physical layout.

We have discussed unit configurations, now let's focus our attention on the hardware of a computer. We start with the frame/cabinet, some of the parts that are contained in a frame/cabinet, computer connectors, cables, and finally computer cooling hardware.

## TOPIC 2—COMPUTER HARDWARE

The hardware makeup of each computer will vary. Generally speaking, the type of computer and platform of the data system will dictate the physical makeup of the computer. Large computers tend to be more rugged and the modules or assemblies more tightly assembled than a microcomputer (PC), which is generally more adapted for portability and not for ruggedness. Let's take a look at some of the hardware used in computers.

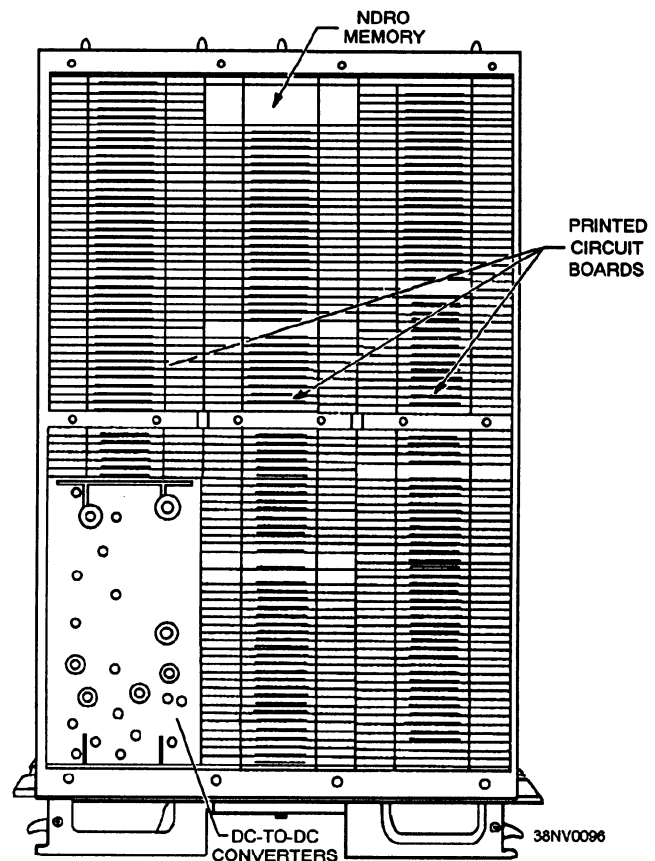


Figure 2-9.—Example of an individual physical layout of a module used in a mainframe computer.

We'll start with the frame or cabinet and work our way down to the pcb's, subassemblies, and the support hardware.

## COMPUTER FRAMES/CABINETS

The frame or cabinet (often called the chassis) houses the computer. It holds or supports all the parts (the functional areas) of the computer. As you will see there are different designs based on the different types of computers and the types of systems on which they are used. These dictate the type of arrangement the frame or cabinet has. In most cases, the frame or cabinet also contains the support areas—the power supply module or unit and hardware for cooling.

The frame or cabinet can provide limited protection for the computer against such hazards as shock, moisture, and EMI or RFI. As a general rule of thumb, except for PCs, all computers aboard ship are shock mounted to withstand the constant motion of the ship as well as sudden impact. For computers that are used ashore, the frame or cabinet is secured to the floor. The

size of the frame or cabinet of a computer is a general indication of the type of computer and the type of data system the computer is used on. Consult your computer's technical manual or owner's manual for parts, tools, and test equipment needed in the maintenance of the computer.

Let's take a look at the designs or types of frames/cabinets—modular, chassis or assembly, cage or rack, and motherboard or backplane. Some computers use combinations of these designs.

### **Modular-Designed Computer Frames/Cabinets**

A frame or cabinet of modular design uses the concept that a functional area maybe composed of one module or several modules. An example of several modules that comprise one functional area is memory. It may take four modules to make up one functional area, memory. Modular frames or cabinets contain the following:

- External connections for data, control, and I/O cables
- Modules with test blocks on some types of computers
- Module mounting slides and retaining hardware
- Module electrical connector receptacles and interconnecting wiring harness
- An operator's control panel
- A blower unit and a system of air ducts allowing cooling air to circulate through all module heat exchangers
- Gaskets for electronic shielding, moisture protection, air ducting, and electrical connectors
- Filters for electronic shielding

Each module is made up of subassemblies and/or pcb's and a heat exchanger for air-to-air cooling. Modular-designed computers that are watercooled will have the necessary hardware fixtures for liquid cooling. A maintenance panel can be located up to 15 feet from the frame or cabinet that houses the functional areas or it may be affixed over the top of the frame or cabinet. In the modular setup, the power supply will be contained in a module just as the major functional areas are. Figure 2-10 is an illustration of a modular setup used in a large mainframe computer.

The modular-designed frame or cabinet is the most rugged. Each module fits into a compartment. The

modules slide into the compartments of the frame or cabinet and are secured with retaining hardware to prevent the module or assembly from sliding back out. At the rear of each compartment of the frame or cabinet for each module, there is an electrical connector receptacle for data and power. The receptacle is keyed so the module can only go in one way. You must secure the power when removing and replacing a module or to gain complete access to all the subassemblies or pcb's inside a module.

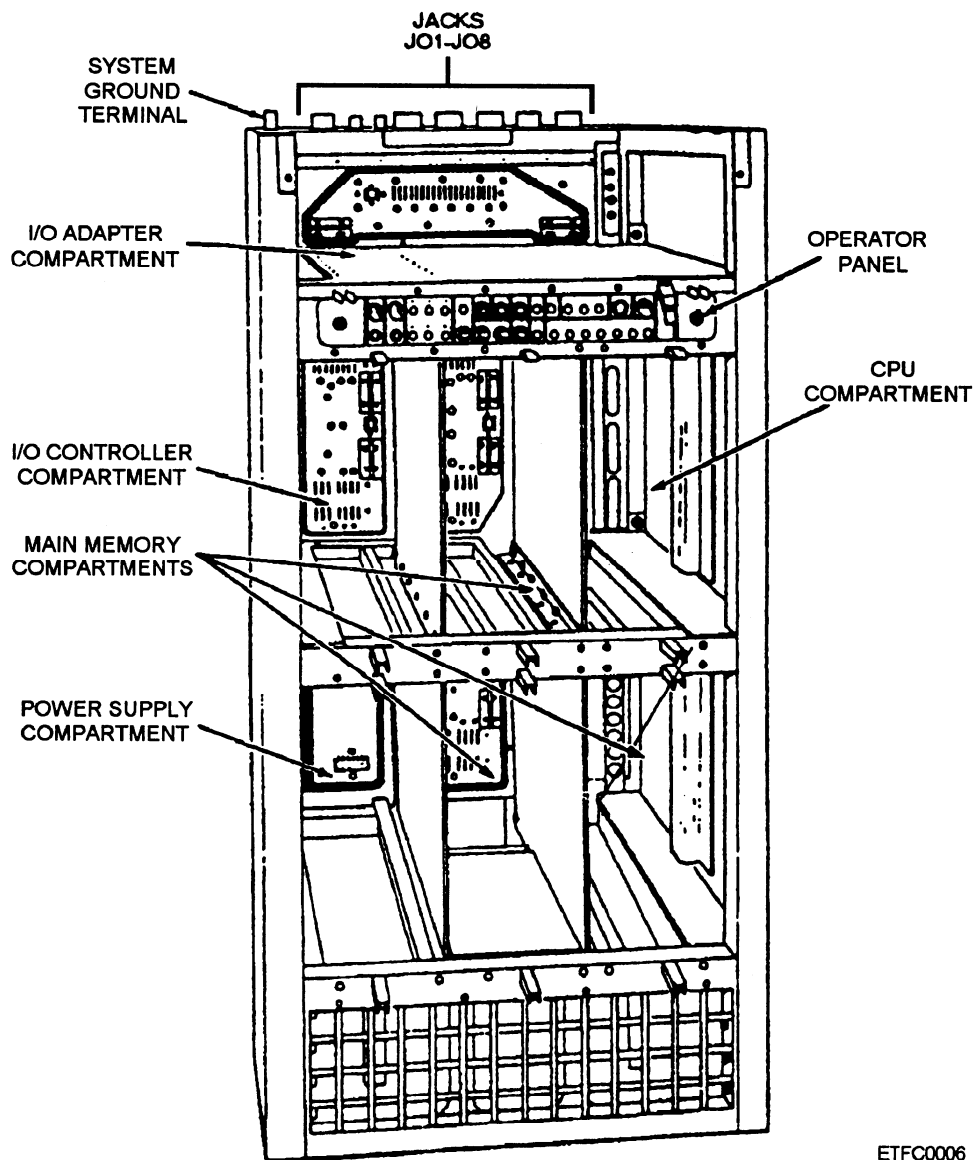
Each module contains all the electronic parts and circuitry that make up one functional area or a portion of a functional area. Examples of modules used in a modular design of a large mainframe computer are the CPU, I/O, memory, and power supply. The CPU usually consists of only one module, whereas the memory of a computer may require multiple modules to form the memory. Each module will consist of electronic subassemblies and/or printed circuit boards that are color coded for easy identification. The printed circuit boards will fit into keyed slots that are in close proximity to each other. In this way one module can hold over 200 pcb's. The pcb's are configured in rows. Check the computer's technical manual for the chassis map of the pcb's and other major subassemblies. Refer back to figure 2-9 for an illustration of a module with the cover removed.

Other items found on a module are test blocks for maintenance, a time meter to monitor powered-on time, gaskets for electronic shielding, and a heat exchanger for cooling. The functional areas that are basic to most modularly designed computers include the following:

- Central processing unit (CPU)
- Input/Output controller (IOC)
- Input/Output adapter (IOA)
- Memory
- Power supply

### **Chassis- or Assembly-Designed Computer Frames/Cabinets**

The design concept of computers that use the chassis or assembly arrangement is for the whole computer system to be located on one or more chassis or assemblies. Chassis- or assembly-designed computers are smaller than modular frame or cabinet housed computers, but they are also very rugged.



ETFC0006

Figure 2-10.—Example of a modular-designed frame computer.

The chassis- or assembly-designed computer contains the following:

- Chassis or assemblies
- Chassis or assembly mounting and retaining hardware
- Chassis or assembly electrical connector receptacles and interconnecting wiring harness
- External connections for data and power cables
- Printed circuit boards (pcb's)
- An operator's control or maintenance panel
- A blower unit with air filter and heat exchanger, which allows cooling air to circulate through all

the chassis or assemblies inside the frame or cabinet

- Gaskets for electronic shielding, moisture protection, air ducting, and electrical connectors
- Filter unit for electronic shielding
- Test blocks for maintenance
- Time meter to monitor powered-on time

Chassis or assemblies use the same basic concept as modules except they are not readily removable and usually contain more than one functional area of the computer. The functional areas are usually grouped together in blocks of two or more pcb's. The subassemblies or pcb's that make up a functional area are grouped together in a chassis or assembly rather than

having a single module dedicated to one specific functional area.

The chassis or assemblies can be mounted in one of several ways inside the computer's frame or cabinet. These include brackets that permit the chassis or assembly to slide in and out of the frame or cabinet; doors that swing out from one side of the frame or cabinet; or a fixed chassis or assembly similar to a cage or rack inside the frame or cabinet. In some cases, a combination of two or more of these methods is used by a single computer. Chassis can slide out on mounting hardware, swing open like a door, or be fixed. Figure 2-11 is an illustration of a chassis or assembly-designed computer.

The pcb's inside a chassis or assembly are arranged in the same way as inside a module-in close proximity and configured in rows. Again refer to the computer's technical manual for a chassis map that outlines the location of all parts of the computer.

Each chassis or assembly contains subassemblies, pcb's, and a power supply unit. Some computers use small brackets to secure the subassemblies or pcb's inside each chassis or assembly. Each chassis or assembly is secured with retaining hardware. Check the computer technical manual to see if you can leave the

power on while the assembly or chassis is extended or is being extended; it varies with the computer. This will affect the ability to extend subassemblies or pcb's on an extender card with the power on.

Support functions, such as power supplies and blower units, for chassis- or assembly-designed computers are usually located on a fixed chassis or assembly in the computer's frame or cabinet. Chassis- or assembly-designed computers can also be water cooled.

The functional areas that are basic to most chassis- or assembly-designed computers include the following:

- Central processing unit
- Input/output controller
- Input/output adapter
- Memory
- Power supply

#### Cage- or Rack-Designed Computer Frames/Cabinets

Computers that use cages or racks contain the following:

- A cage or rack

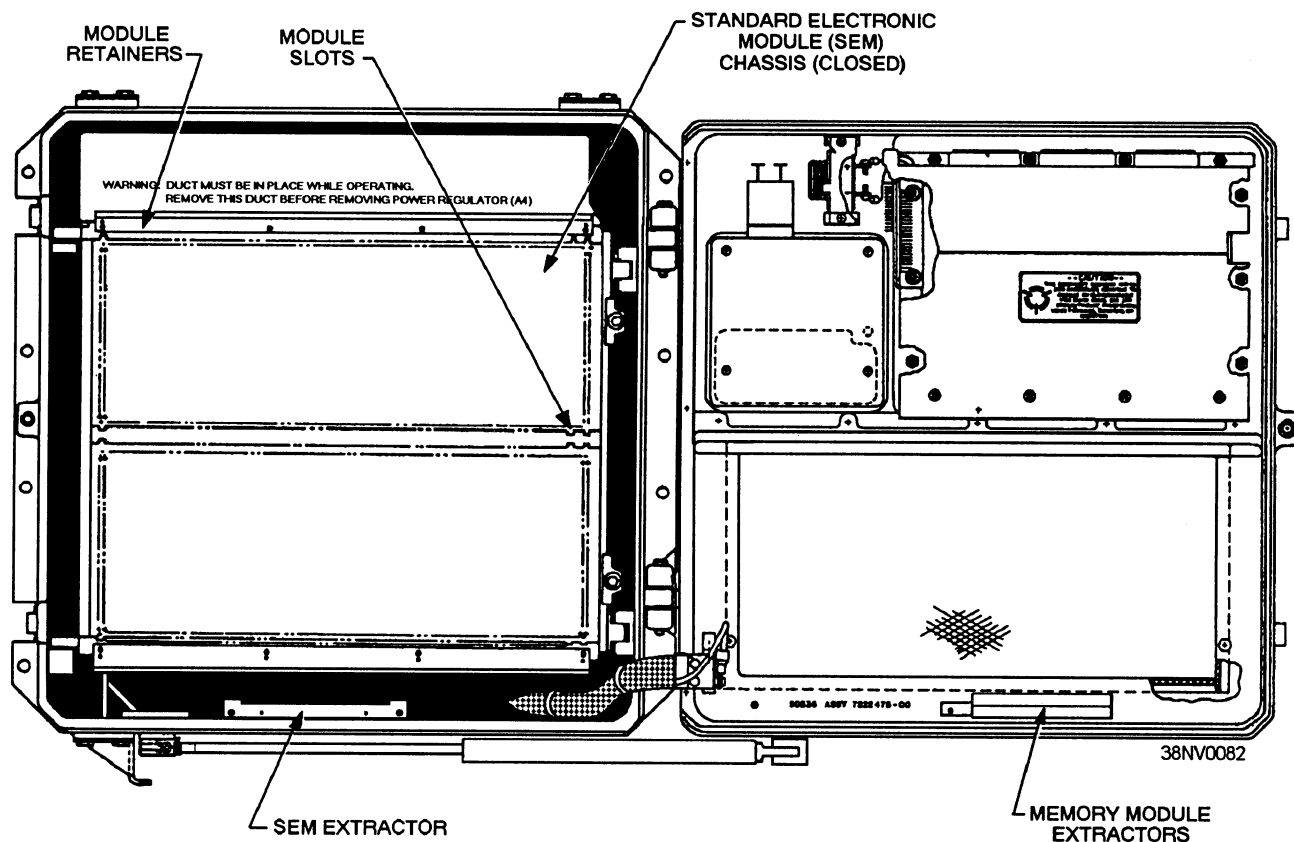


Figure 2-11.—Example of a chassis- or assembly-designed computer.



- Subassembly or pcb mounting slides and retaining hardware
- Subassembly or pcb electrical connector receptacles and interconnecting wiring harness
- Printed circuit boards
- External connections for data and power cables
- An operator's control or maintenance panel
- Power supply unit
- Blower unit
- Air filter

In a cage or rack arrangement, only the functional areas of the computer are contained in the cage or rack. The cage or rack contains pcb's that only house the major functional areas, such as CPU, memory, and I/O. Sometimes more than one functional area will be contained on a pcb. The pcb's slide into slots inside the cage or rack. The connector receptacles for each subassembly or pcb are usually located at the rear of the cage or rack. The pcb's are not always keyed, so you must exercise care when installing them. The pcb's are secured in each slot by retaining hardware. The cage or rack is generally fixed and cannot be extended as a whole unit. The pcb's can usually be accessed with power on, but power must be secured when you remove and replace a pcb. The pcb's can be extended individually for maintenance.

The other main parts of the computer, such as the power supply unit and cooling unit, are located in a different part of the frame or cabinet, not in the cage or rack with the pcb's. Figure 2-12 is an illustration of a cage or rack setup.

### Motherboard- or Backplane-Designed Computer Frames/Cabinets

Computers that use a motherboard or backplane design are built more for their portability and compactness. They are the least rugged. The frame or cabinet contains the following:

- A motherboard or backplane with the connector receptacles for each pcb, the keyboard, and in some types of micros: single inline memory modules (SIMMs), single inline packages (SIPs), and single inline pin packages (SIPPs)
- Wiring harness for the motherboard or backplane
- Pcb's with the necessary I/O connectors
- External connections for the power cables
- Retaining hardware for the motherboard or backplane
- A power supply unit
- A small fan with an air filter for cooling
- A small speaker

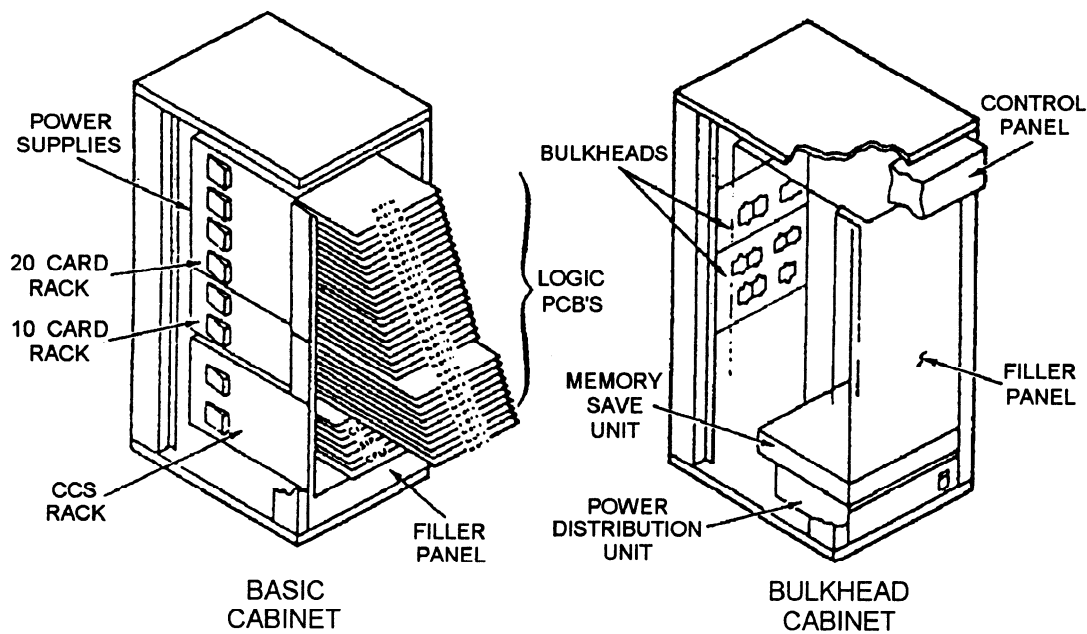


Figure 2-12.—Example of a cage- or rackdesigned computer frame or cabinet.

ETFC0007

Also contained in the frame or cabinet of the computer is the peripheral equipment—floppy and/or hard disk units. Computers that use motherboards or backplanes use a keyboard external to the frame or cabinet as their method to control the computer. **With some micros, however, the keyboard is part of the cabinet assembly.** The motherboard or backplane usually rests on the bottom of the frame or cabinet of the computer. The motherboard or backplane contains all the pcb's for the whole computer, a keyboard connector, a battery backup circuit, and power supply status LEDs. A motherboard has IC chips included on the motherboard; a backplane does not. Each pcb contains one or more functional areas. Figure 2-13 is an illustration of a motherboard or backplane design used in a computer.

It is easier to perform maintenance on computers with motherboards or backplanes than on modular- or chassis-designed computers because of their size and the easy accessibility to the interior of the computer. Extending pcb's for maintenance is usually not necessary because everything can be readily accessed once the cover is removed; this includes maintenance with the power still applied. Remember, you must still exercise safety precautions when removing and installing any parts inside the frame or cabinet by securing power to the computer.

## Safety and Security Design Features of Computer Frames/Cabinets

The frame or cabinet can provide limited protection for a computer by use of gaskets and filters. Gaskets and filters are not used on all types of computers, but they serve important safety and security functions on those where they are used.

**GASKETS.**— Gaskets are used for two main purposes on computers. Gaskets provide moisture sealing protection and protection against interference (radio frequency interference [RFI] and electromagnetic interference [EMI]). The gaskets are usually located around the edges of an item to protect its contents or internal parts. For example, gaskets are used in heat exchangers for a module to protect the pcb's inside the module from moisture and electronic interference. Gaskets are also used in electrical connectors inside a frame or cabinet to protect the connection from electronic interference.

**FILTERS.**— There are two types of filters you will encounter. They are electronic (EMI and RFI) and environmental (foreign particles such as dust and dirt) filters. Both filters provide protection for the computer. The computer's technical manual and/or the Planned Maintenance System (PMS) will provide you with the requirements for the maintenance of these two filter types.

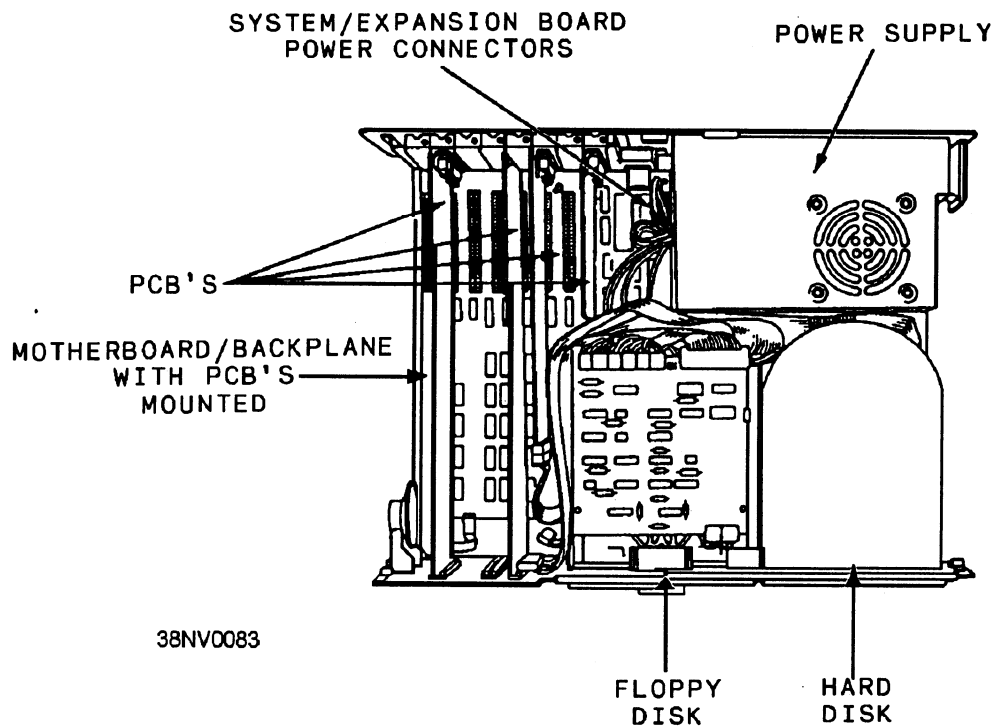


Figure 2-13.—Example of a motherboard- or backplane-designed computer.

## CAUTION

**DEVICES USED IN COMPUTERS ARE SENSITIVE TO ESD (ELECTROSTATIC DISCHARGE). ENSURE THAT YOU ARE FAMILIAR WITH THE COMPUTER'S SAFETY PRECAUTIONS THAT DEAL WITH ESD AND TAKE THE NECESSARY STEPS TO PROTECT THE COMPUTER. YOU CAN FIND THE REQUIREMENTS IN THE COMPUTER'S TECHNICAL MANUALS.**

## SUBASSEMBLIES USED IN COMPUTERS

Subassemblies are electronic parts of the computer that are a portion or part of a functional area. A subassembly can contain pcb's or just electronic parts. Two or more components combined into a unit will form a subassembly. Each subassembly can contain components, such as transistors, resistors, capacitors, and the like, and/or pcb's to make one individual subassembly.

We use a power supply module and a memory module of a large computer as our examples.

A power supply module in a large computer usually has six or seven subassemblies. Each of these subassemblies contains transformers, transistors, diodes, resistors, capacitors, and the like.

A memory module may need up to four memory stacks to make it complete. Each stack contains only the electronic components necessary to make it complete.

Some of the items you will find in subassemblies of computers are as follows:

- Memory stacks of a memory unit
- Dc-to-dc converters in modules
- Dc switching regulators of a power supply

**KEYED SUBASSEMBLIES.**— Subassemblies are keyed to assure that only the connect subassembly is inserted into a slot and that each subassembly is inserted properly (not backwards). The manufacturer will either cut a slot into the plug-in side of the pcb or put plastic sleeving on one or more of the connector pins. With the pin/plastic sleeving method, the connector receptacle must match the pin(s) with the sleeving to accommodate the pcb's connector pin(s). The arrangement of the subassembly's connector pins

(plugs) can also act as a guide when you install the subassembly.

## **MAINTENANCE OF SUBASSEMBLIES.**

Subassembly units can be sealed or unsealed. With the sealed units, you cannot break them down any further for repair purposes. You'll have to discard the sealed subassembly unit and replace it or turn it in for a new subassembly. A subassembly may or may not have test points for maintenance purposes.

## PRINTED CIRCUIT BOARDS USED IN COMPUTERS

Printed circuit boards (pcb's) makeup the majority of the computer's functional areas. They vary in size from small pcb's used in modular designs to large ones used in some cage-or rack-designed computers. Let's take a look at the functions and physical characteristics of pcb's.

### Functions of Printed Circuit Boards

It doesn't matter what type of computer we are talking about, the computer's printed circuit boards process all the data the computer processes. The pcb's contain the circuitry that electronically manipulates the data that enters and leaves the computer. The functional areas of the computer are contained on the pcb's.

### Physical Characteristics of Printed Circuit Boards

The physical characteristics of a pcb depend on the type of computer. Let's examine some general characteristics.

**SIZE AND NUMBER OF PRINTED CIRCUIT BOARDS.**— The size and number of pcb's vary from the computers that require many small pcb's for one functional area of the computer, to the computers that need only a single medium to large pcb to handle one functional area. Take a computer's CPU as an example. Larger militarized computers may use up to 200 small pcb's to perform the functions of the CPU. Whereas a microcomputer needs only a single "chip" on a single pcb to perform the functions of the CPU; thus requiring less circuitry to perform the CPU functions.

**ARRANGEMENTS OF PRINTED CIRCUIT BOARDS.**— Again the type of computer will dictate the arrangement of pcb's. The computer's technical manual will provide the information on how the pcb's are arranged inside the computer's frame or cabinet. Computers that are modular in design have all the pcb's

for a functional area located in one or more modules. In computers that use a chassis/assembly, cage/rack, or motherboard/backplane design, the functional areas are located on a single pcb or a group of pcb's located in a single area. The pcb's generally face in one direction whether they are used in a modular, chassis/assembly, cage/rack, or motherboard/backplane design. Some equipment provides card guides or brackets and locking or tiedown bars, so pcb's will not suffer intermittent problems as a result of shock and vibrations.

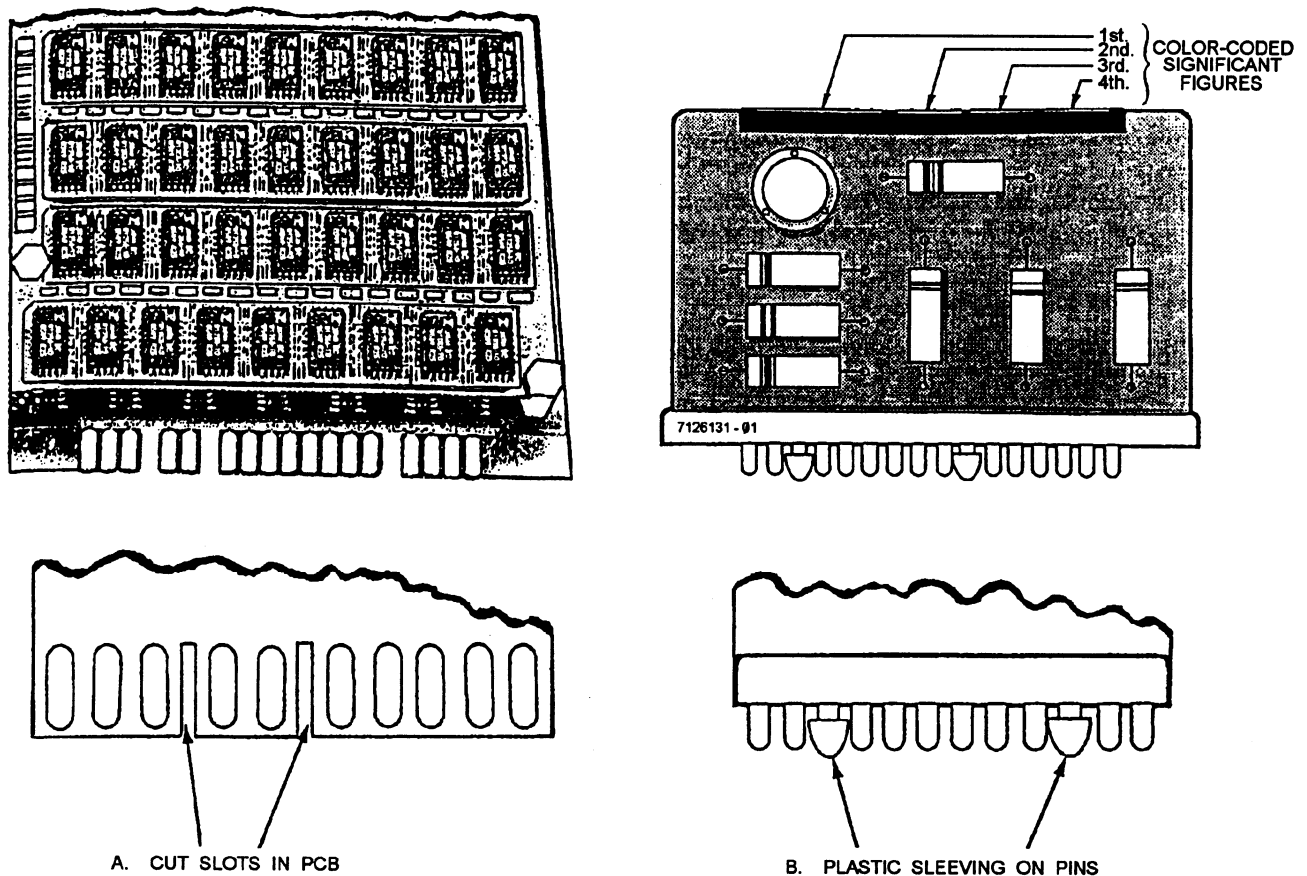
**KEYED PRINTED CIRCUIT BOARDS.—**

Pcb's are keyed to ensure that a different card type is not inserted into a slot or the correct pcb is not inserted backwards. The manufacturer will either cut a slot into the plug-in side of the pcb or put plastic sleeving on one or more of the connector pins (fig. 2-14, frame A). With the pin/plastic sleeving method, the connector receptacle must match the pin(s) with sleeving to

accommodate the pcb's connector pin(s) (plug[s]) (fig. 2-14, frame B).

**COLOR-CODED PRINTED CIRCUIT BOARDS.—** Pcb's are identified by numbers. Some pcb's in computers show the number(s) with color bands using the standard color code (also shown on fig. 2-14, frame B). With the color-code technique, you can check the card number. The color code is also very convenient when you are working with groups of cards that have the same card number. Refer to NEETS, Module 19, *The Technician's Handbook*, for the standard color code.

**MAINTENANCE FEATURES OF PRINTED CIRCUIT BOARDS.—** Some pcb's have indicators and test points that are very helpful when you perform maintenance.



ETFC0008

Figure 2-14.—Keyed pcb's: A. Cut slots on a pcb; B. Plastic sleeving on pins.

**Maintenance Indicators or Diagnostic Light-Emitting Diodes (LEDs).**— Maintenance indicators or LEDs provide you a readily visible indication to tell you when the equipment is operating normally and when it is operating abnormally. Refer to your computer's technical manual or owner's manual for their locations and operation.

**Test Points.**— Test points are usually located on the outer edge of pcb's. They can provide you with status or operational information with voltage levels and/or waveforms. Refer to the computer's technical manuals for details.

## COMPUTER CONNECTORS AND CABLES

Computers must have an organized way to exchange and route data and power signals internally and externally. Computers must have a place where the signals leave the computer externally and talk to other computers and/or other equipments, peripherals, displays systems, and/or communication systems. The computer's technical manual or owner's manual provides parts replacement information, recommended tools and test equipment, internal and external signal distribution, and I/O interface. The following documents also provide information useful in the maintenance of computer connections and cabling. They define the standards and specifications of the interface(s) that the computer uses as well as the standards and specifications of the actual repairs to the internal and external connectors and cables.

- MIL-STD-2000, Standard Requirements for Electrical and Electronic Assemblies— Provides associated standards and specifications that can be used when making solder repairs to connectors and their conductors. MIL-STD-2000 provides the standards for the actual solder terminations.

- MIL-STD-2036, General Requirements for Electronic Equipment Specifications— Provides a list of the standard external interfaces; parallel and serial interface formats and metallic and fiber optic cabling. The interfaces listed in MIL-STD-2036 define the requirements of each standard: mechanical, electrical, functional, procedural, and any other requirements that do not fall into any of the four listed categories.

- NEETS, Module 4, Introduction to Electrical Conductors, Wiring Techniques, and Schematic Reading— Provides information on conductor and

cable (includes coaxial) architecture and characteristics, wiring and repair techniques, and signal interpretation and distribution.

- NEETS, Module 19, The Technician's Handbook— Provides connector and cable information; references, types and construction/description, general application data, identification, and insert arrangement.

- NEETS, Module 24, Introduction to Fiber Optics— Provides fiber optic theory and operation and connector and cable information.

- EIMB, Installation Standards, NAVSEA 0967-LP-000-0110— Provides connector and cable information; references, identification for interpretation and distribution, and installation and repair (includes MIL-STDs of specialized tools).

- Naval Shore Electronics Criteria, Installation Standards and Practices, 0280-LP-900-8000 — Provides connector and cable information; references, identification for interpretation and distribution, and installation and repair (includes MIL-STDs of specialized tools).

- Miniature/Microminiature (2M) Electronic Repair Program, NAVSEA TE000-AAA-HBR 010/2M, Vol. 1; 020, Vol. 2; 030, Vol. 3 — Provide the same type of information as MIL-STD-2000 concerning solder repairs to a connectors and their conductors.

Remember, when making repairs to the connectors and cables, use identical replacement parts or suitable substitutions. This is very important. Let's start with the computer's internal connectors, then external connectors, and finally the cables.

## Connector Architectures

In electronics, connectors are designed to terminate pcb's, conductors, and cables between electronic circuits within a system, between systems and subsystems and their power sources. Connectors interconnect circuits on circuit boards with backplanes/backpanels, motherboards, or wiring within a frame or cabinet of a computer (set). Connectors also terminate the cables interconnecting the external equipment and the computer. They come in many shapes and sizes. The interfaces listed in MIL-STD-2036 dictate the requirements needed for connectors. A connector consists of a connector

receptacle (jack) and a connector plug (fig. 2-15). The receptacle can be located at the end of a cable or mounted stationary. The plug can be located at the end of a cable or mounted stationary. The actual connection (mating) of a connector consists of pcb card-edge, electrical pins (flat or round) and contacts, or soldered (wire to card-edge connector). Let's examine the types of connectors.

**SINGLE-PIECE PCB OR CARD-EDGE CONNECTORS.**— Single-piece pcb or card-edge connectors are used internally. They are the most widely used connectors for making connections from a pcb (plug) to a receptacle; cable, another pcb, or a larger item such as a backplane receptacle. Figure 2-16 shows a single-piece pcb or card-edge connector. Connection can also be made from the pcb edge to a wire (soldered). Terminations of conductor to receptacle include solder and solderless (wire wrap, crimping, pin removal and insertion, or Mass-Termination Insulation Displacement Connection (MTIDC) or Insulation Displacement Connection (IDC).

**TWO-PIECE PLUG AND RECEPTACLE PCB CONNECTORS.**— Two-piece plug and receptacle pcb connectors are used internally. Two-piece pcb connectors are basically the same as one-piece pcb connectors except the pcb is designed with a plug (male or female) on the card edge that plugs into a receptacle (male or female). Pins or contacts located on either receptacle or plug can be flat or round. See figure 2-17. Two-piece connectors are preferred over one-piece because they provide more resistance to shock and vibration. Terminations of conductor to receptacle

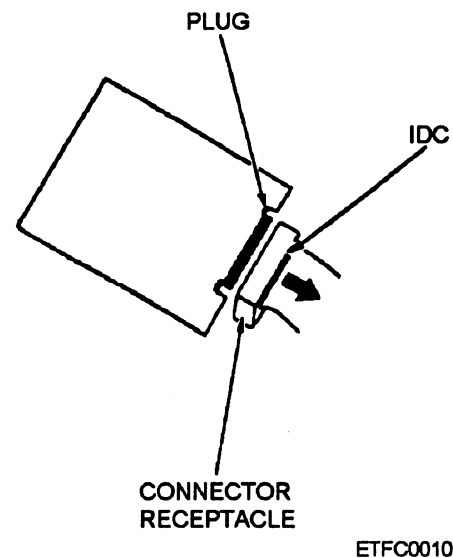


Figure 2-16.—Single-piece pcb or card-edge connector.

include solder (2M or basic) or solderless (wire wrap, crimping, pin removal and insertion, or MTIDC or IDC [fig. 2-18]).

**RECTANGULAR MULTIPIN CONNECTORS.**— Rectangular plastic- or metal-shell receptacles and plugs can be used for internal and external connectors. They can be flat with a single row

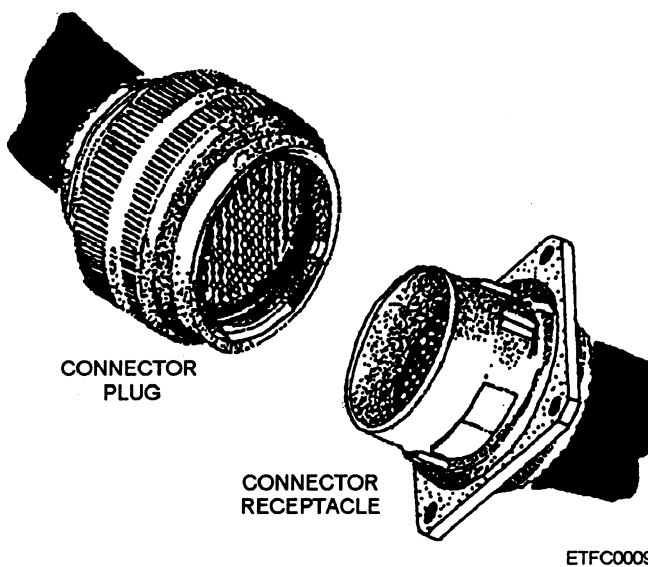


Figure 2-15.—A connector: a plug and a receptacle.

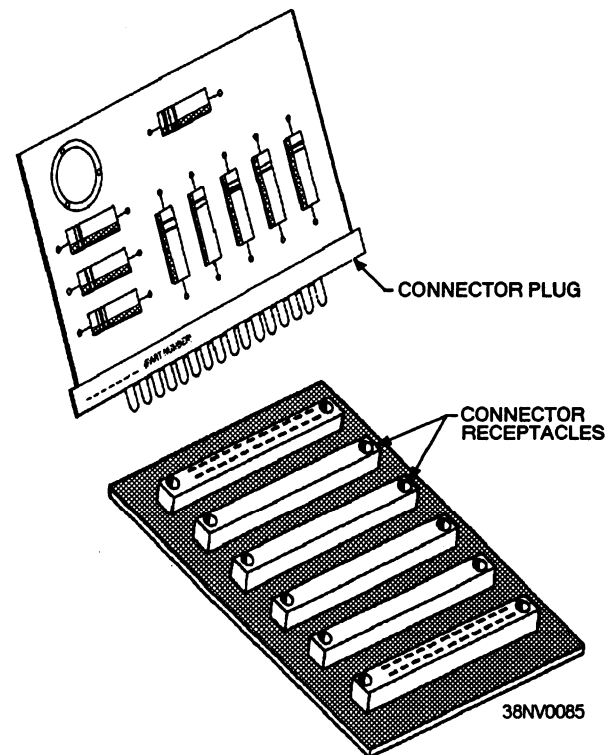


Figure 2-17.—Two-piece plug and receptacle pcb connector.

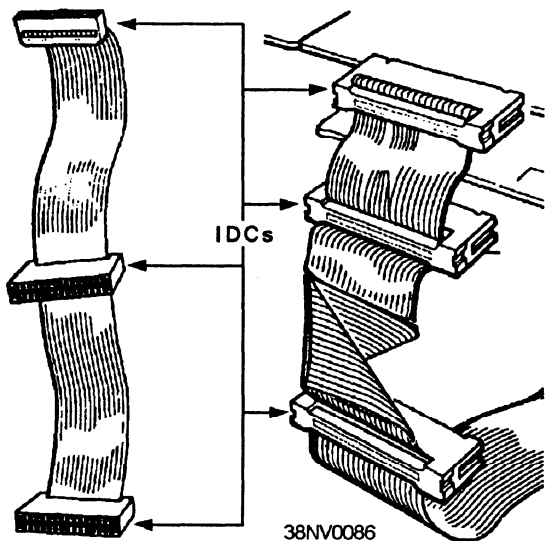


Figure 2-18.—Insulation displacement connection (IDC).

of conductors or have multiple rows of many conductors (fig. 2-19). Rectangular connectors can have over 100 pins or contacts. Contacts or pins located on either the receptacle or plug can be flat or round and can be male or female. Hardware is used to secure the connection to provide more stability against shock and vibration. Telephone jack connectors can be used to connect the conductor to a rectangular multipin connector. This is very useful in microcomputers; it makes it easy to disconnect and connect connectors.

Externally, provisions can be made for shielding these connectors from EMI and RFI. Terminations of conductor to receptacle include solder (2M or basic) and

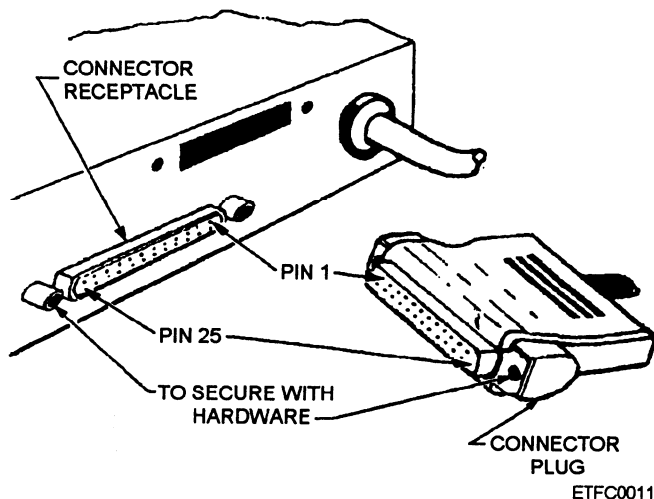


Figure 2-19.—Rectangular multipin connectors.

solderless (wire wrap, crimping, pin removal and insertion, MTIDC or IDC, and AMP TERMINAL POINT). Terminations of conductor to plug include solder (2M and basic) and solderless (crimping, pin removal and insertion, and MTIDC or IDC). Combinations of termination are often used (fig. 2-20). For example, to secure a conductor to a connector receptacle pin or contact; it may be crimped or soldered, and then inserted into the connector receptacle.

**CIRCULAR OR CYLINDRICAL (SHELL) MULTIPLE-PIN CONNECTORS.—** Circular plastic- or metal-shell receptacles and plugs can be used

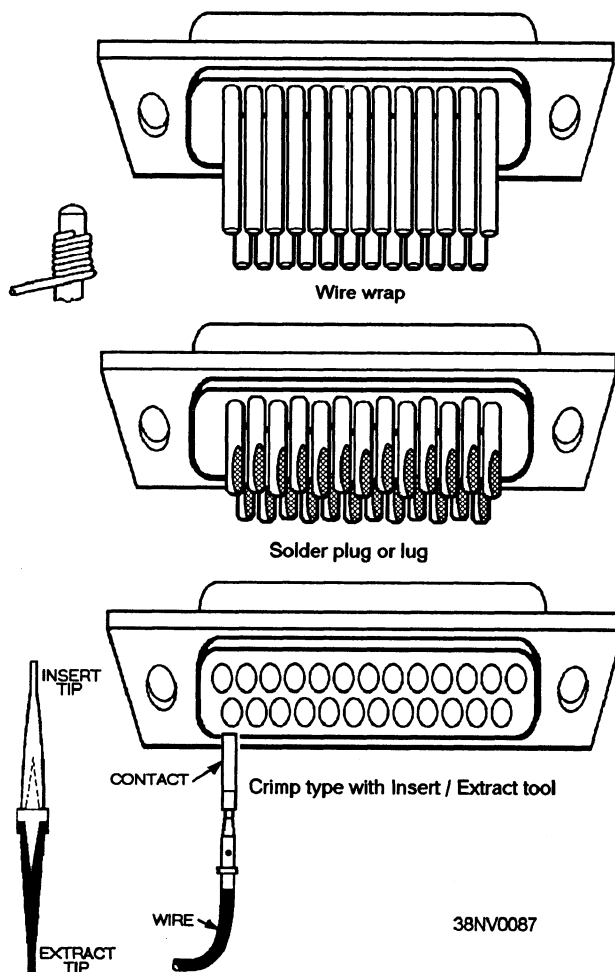


Figure 2-20.—Combination of various terminations.

for internal and external connectors (fig. 2-21). Circular connectors can have over 100 pins or contacts. The contacts or pins located on either the receptacle or plug are usually round and can be male or female. Circular connectors can be secured to protect against shock and vibration with either complete or partially threaded shells (breech lock) or bayonet-style (pin and curved slot); neither kind requires internal or external screws for securing the mating parts.

Externally, provisions can be made for shielding these connectors from EMI and RFI. Terminations of conductor to receptacle include solder (2M or basic) and solderless (wire wrap, crimping, pin removal and insertion, MTIDC or IDC, or AMP TERMI-POINT). Terminations of conductor to plug include solder (2M and basic) and solderless (crimping and pin removal and insertion). Combinations of termination are often used.

Fiber optic connectors fall into the circular connector category. Refer to NEETS, Module 24, *Introduction to Fiber Optics*, for a discussion of the mating of fiberoptic connectors.

**COAXIAL CONNECTORS.**— Coaxial connectors are designed for single, twin (twinax), and triple (triaxial) conductors (fig. 2-22). Refer to MIL-C-17 for connector specifications. Contacts or pins located on either the receptacle or plug are round and can be male or female. Coaxial connectors are secured bayonet-style (pin and curved slot) to protect against shock and vibration and for quick removal and replacement.

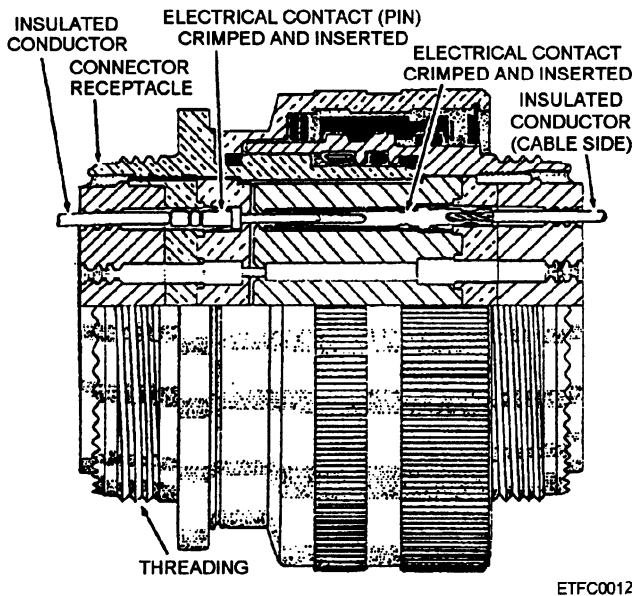


Figure 2-21.—Circular multipin connector.

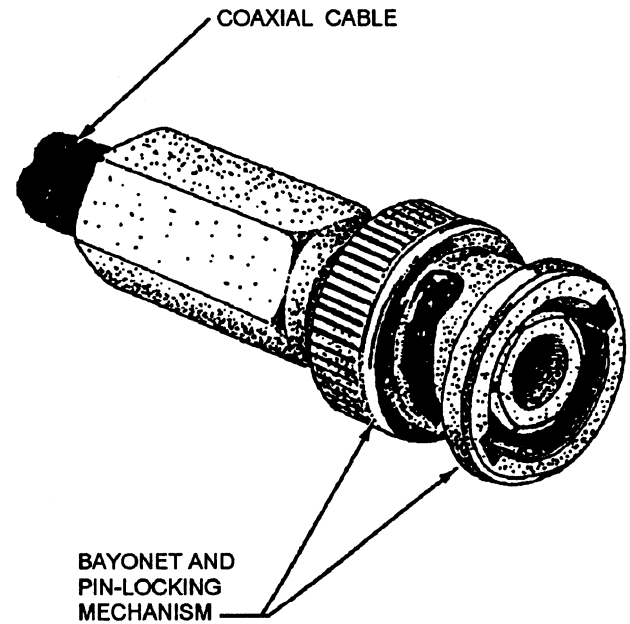


Figure 2-22.—Coaxial connector.

Externally, provisions can be made for shielding these connectors from EMI and RFI. Terminations of conductor to receptacle include solder (2M or basic) and solderless (wire wrap, crimping, and pin removal and insertion). Terminations of conductor to plug include solder (2M and basic) and solderless (crimping, and pin removal and insertion). Combinations of termination are often used.

**COMPONENT CONNECTORS.**— Although we may not think of it as a connector, a wire attached to a component's lead also forms a connection. The most commonly used methods of securing a wire to a component's lead are soldering and wire wrapping. For example, pushbutton indicators use wire wrap connections to secure a conductor(s) to its pin(s). Wire wrapping is often preferred because it is quick to remove and install, and it is strong. Also, you do not have to apply heat to the conductor. This prevents damage to the conductor's insulation that can be caused by using a soldering iron.

### Internal Connectors

Rather than have wires running everywhere inside the computer frame or cabinet and between the units, various methods are used to connect the conductors from point to point and to organize the conductors.

Connectors are used inside the computer to interconnect the major individual units of the computer. Individual conductors are used to route each signal between the connectors of the major units and to



provide power throughout the computer. For example, we want a signal to go from a CPU module or pcb to a memory module or pcb. A signal will leave the CPU at its plug, which is plugged into a connector receptacle. A conductor will route that signal from the CPU's connector receptacle to the memory's connector receptacle, where the signal will go from the connector plug to its destination inside a memory module or pcb.

**INTERNAL CONNECTOR RECEPTACLES.**— Internal connector receptacles receive the connector plug of an individual unit (module, subassembly, or pcb) or wiring harness. Connector receptacles can have male or female electrical contacts. The sizes and shapes of the electrical contacts vary.

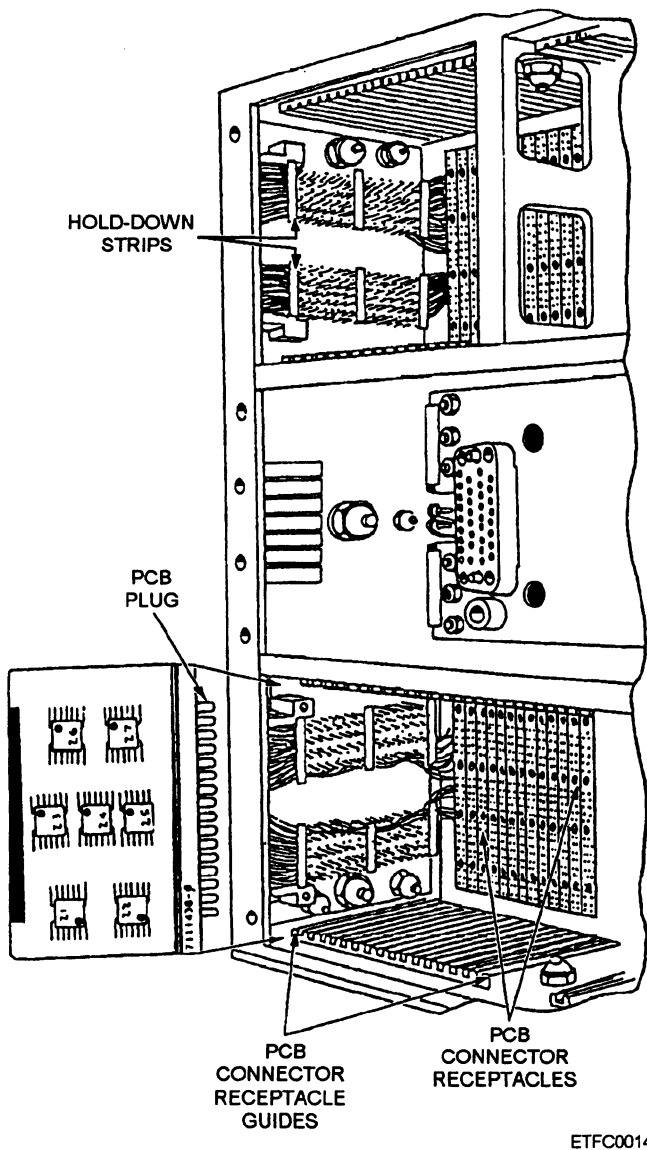


Figure 2-23.—Connector receptacle of a module for a pcb.

Refer to your computer's technical manual for details. Receptacle connectors are used in the following places:

- Frame or cabinet to receive a module or **wiring harness**
- Module to receive a subassembly or pcb
- Chassis or assembly to receive a subassembly y or pcb
- Rack or cage to receive a pcb
- Motherboard or backplane to receive a pcb

Examples of connector receptacles are illustrated in figures 2-23 and 2-24. Figure 2-23 shows the connector receptacles of a module for receiving pcb's. Figure 2-24 illustrates the connector receptacles of a motherboard.

**INTERNAL CONNECTOR PLUGS.**— Individual units and wiring harnesses will have a plug that connects into an internal connector receptacle. Again depending on the design, the plug can have male or female electrical contacts. The connector plugs on the following units will be plugged into connector receptacles:

- Module
- Subassembly
- Pcb
- Wiring harness

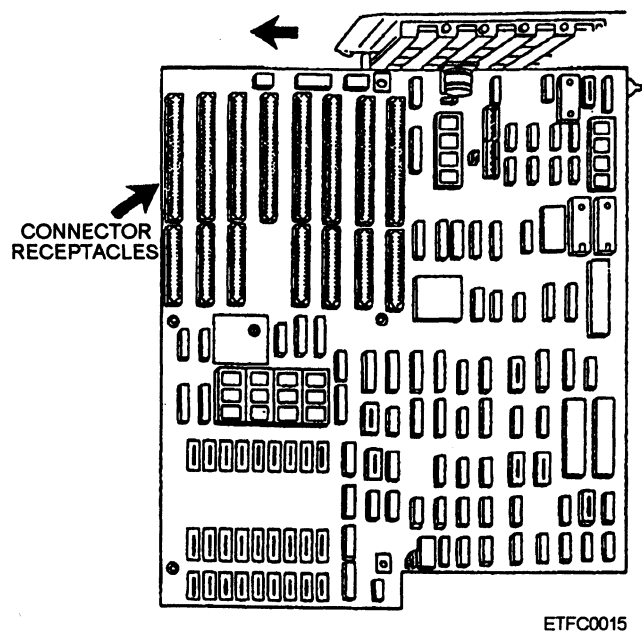


Figure 2-24.—Connector receptacles of a motherboard.

Remember that internal connector receptacles and plugs are keyed for each other; or in some cases, they will have guide pins. The receptacle and the plug must match to be connected properly. Pay attention to this because you can cause extensive damage if the connection is reversed or if you force the connection. Also, remember that connections should be made with the power secured to the computer.

**INTERNAL CONDUCTORS (WIRES).**— The wires will take individual signals or mass data and route them for distribution throughout the computer. Signal names used by a computer can be found in the wire listings, computer prints, or the description of each pcb. Learn to interpret the computer's wire listings and prints. This skill will prove invaluable when you have to trace signals from point to point when diagnostic testing does not prove conclusive in finding malfunctions. To find information on how to interpret signals and signal distribution, look in the computer's technical manuals. The wires can be connected between two plugs, between two receptacles, between a receptacle and a plug or vice versa, or they can originate and terminate on the same receptacle, plug, or indicator/switch. They are used in every part of the computer and any type of computer. The following are some examples of where conductors are terminated:

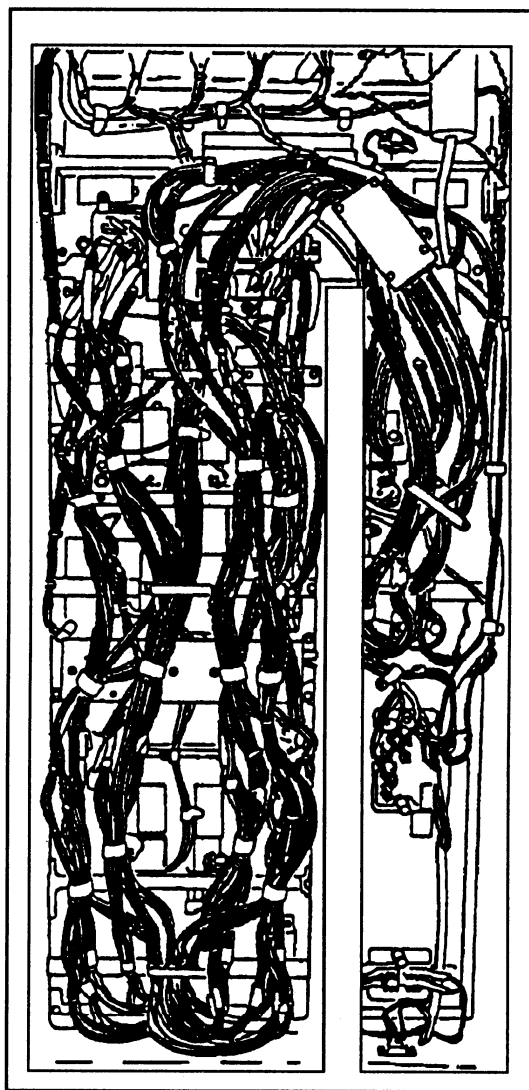
- Wiring harness plugs
- connector receptacles of a modular frame or cabinet
- Between a connector receptacle and a plug inside a module
- Connector receptacles inside a chassis-, assembly-, rack-, or cage-designed frame or cabinet
- Connector receptacles of a motherboard or backplane
- Indicators and switches throughout the computer
- External connector receptacles

Conductors used internally in a computer are insulated with a plastic coating. Be careful when making repairs. If the repair calls for soldering, the fumes from heating the plastic coating can be toxic. Remember, conductors can originate and/or terminate from or to the same connector receptacle, indicator, or switch.

Because wiring must be neatly organized, wire bundles in computers are used to route the conductors

from point to point. The wire bundling method of organizing the wires is used for interconnections inside of a module, in a cage or rack, in a chassis or assembly, and inside a frame or cabinet. The wire bundles are secured by either lacing, spot tying, or self-clinching cable straps. The conductors are arranged in what is called a **wiring harness**. The wiring harness may include terminations. A wiring harness allows the wires to be neatly organized and uses the limited space more effectively.] y.

Figure 2-25 shows a wiring harness used inside a computer's cabinet to secure the conductors in bundles. Notice how the wire bundles of the wiring harness are secured to keep the wiring neatly organized. Figure 2-26 is an example of a wiring harness connector (rectangular) assembly. Notice the plug and the connector pins (electrical contact). The plug is used to

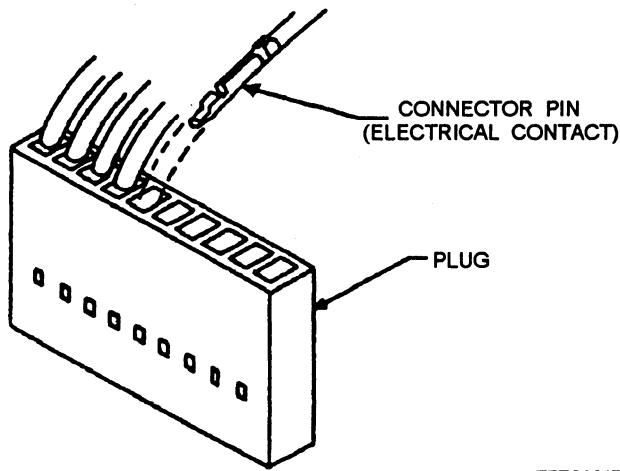


ETFC0016

Figure 2-25.—Example of wire bundling inside a computer's cabinet using a wiring harness.

## CAUTION

**WHENEVER CONNECTIONS FOR POWER AND DATA ARE DISCONNECTED OR RECONNECTED, ENSURE THAT THE POWER TO THE COMPUTER AND THE POWER SOURCE HAVE BEEN SECURED AND THE PROPER TAG-OUT PROCEDURES HAVE BEEN FOLLOWED FOR SECURING THE POWER SOURCE.**



ETFC0017

Figure 2-26.—Wiring harness connector plug (rectangular) assembly.

connect to an internal connector receptacle as part of the cabinet wiring harness.

### NOTE

**IF A CONDUCTOR MUST BE COMPLETELY OR PARTIALLY REPLACED, REPLACE IT WITH THE SAME GAUGE (AWG) AND TYPE OF CONDUCTOR. SEE THE TECHNICAL MANUAL FOR EXACT ORDERING AND REPLACEMENT INFORMATION.**

### External Connectors

The external connectors of a computer are designed to receive electrical power from power sources, send or receive data (input/output) to or from other computers or digital equipment, and to interconnect units of the same computer together. For example, the computer uses external connections to load operational programs and test programs that are stored externally on a magnetic tape unit. It also uses external connections to communicate with other computers or peripherals and/or other systems (display and/or communication). The computer's prints, wire listings, owner's manual, CSTOMs, SOMs, and/or systems doctrine or equivalent will provide the exact jack, channel or port, and pins assignments of where power and/or data enter or leave the computer.

**POWER REQUIREMENTS OF COMPUTERS.**— The power requirements for computers vary. The requirements depend on the type of computer and/or where the computer is used—on ship or ashore. Computers are designed to accept different combinations (voltage, frequency, and phase) of primary power. A couple of examples: for a large NTDS computer aboard ship, the requirement is 115 Vac, 400 Hz, 3 phase; whereas, a microcomputer computer ashore uses 115 Vac, 60 Hz, single phase.

You need to know the primary power source for your computer system. Become very familiar with the location and operation of your computer's power source. Know the exact location of power panels in your spaces and know which circuit breakers to secure for routine maintenance and emergency situations. We discuss computer power supplies in chapter 4.

**EXTERNAL CONNECTOR RECEPTACLES.**— External connector receptacles receive the plug of a cable (conductor). The cables carry power and data. External connector receptacles and their plugs come in all sizes and shapes. Like internal receptacles and plugs, they, too, are keyed or because of their physical shape, can only be mated one way. Power cables and cords are fairly standard. We, therefore concentrate our discussion on some of the I/O connections used for parallel and serial data transfers. The physical shape (architecture) of these connectors does not have anything to do with the standard or the format (parallel or serial) used for the data transferred. Some of the more common series of connectors used for parallel and serial data transfer include the following:

Parallel —MIL-C-series—M28840, M38999, and M81511; Centronics Parallel; MTIDC or IDC; "D" series; and Nonstandard series

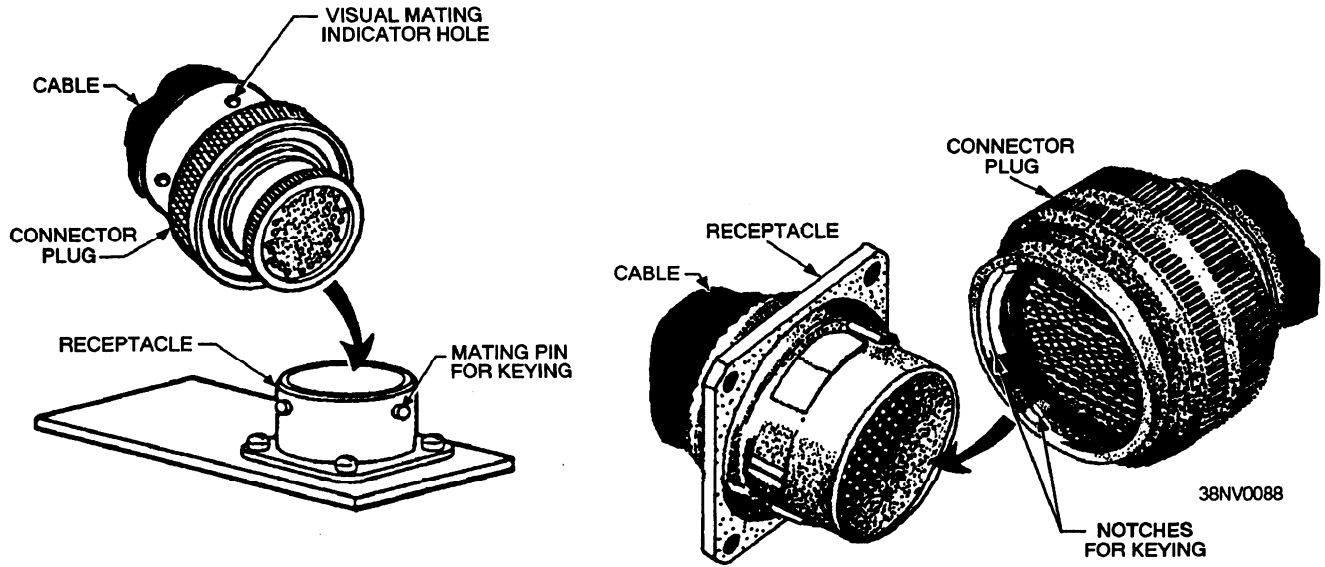


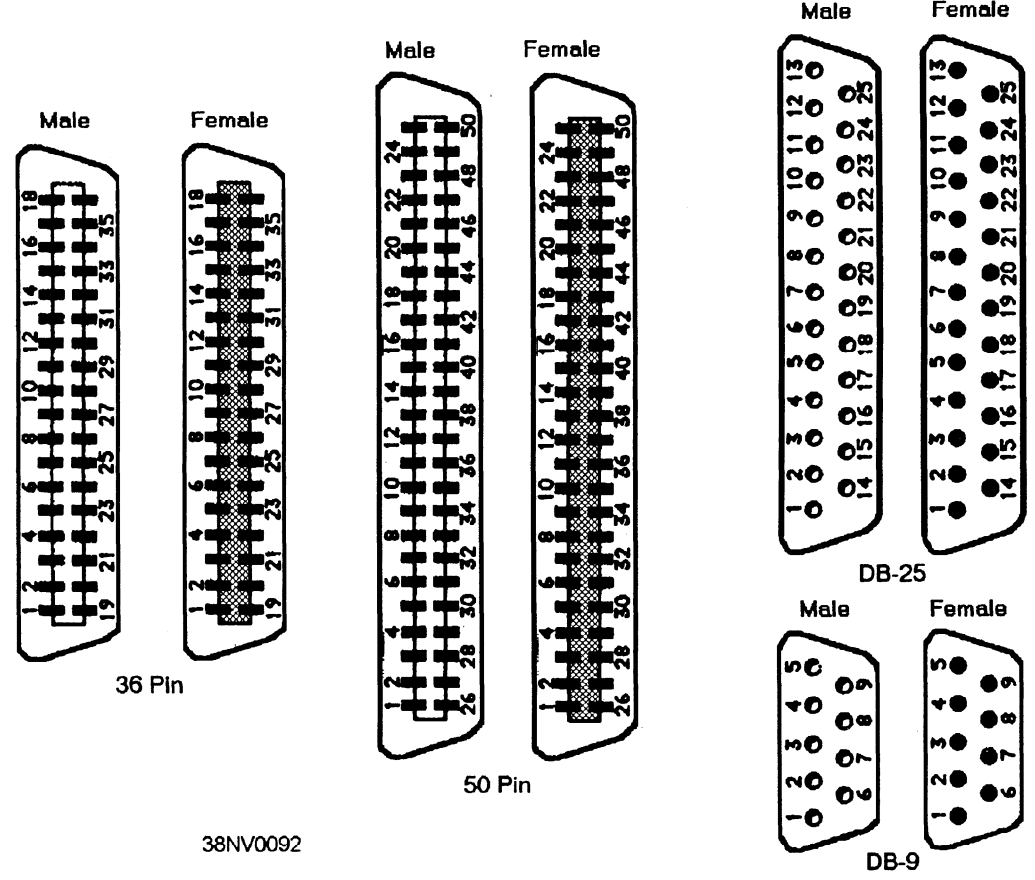
Figure 2-27.—Example of a jack keyed for a connector plug.

Serial—MIL-C-series-M28840 and M49142; MIL-C-series (fiber optics) M83522(ST) and M28876; ST 506 (fiber optics); “D” series; and Nonstandard series

Figures 2-27 and 2-28 are examples of external I/O connections that computers may use. In figure 2-27, notice that the connector receptacle (jack) is keyed; this means that the connector plug of the cable must match

Centronics Parallel Connector Receptacles

“D” Series Connector Receptacles



38NV0092

Figure 2-28.—Examples of connector receptacle physical shapes.

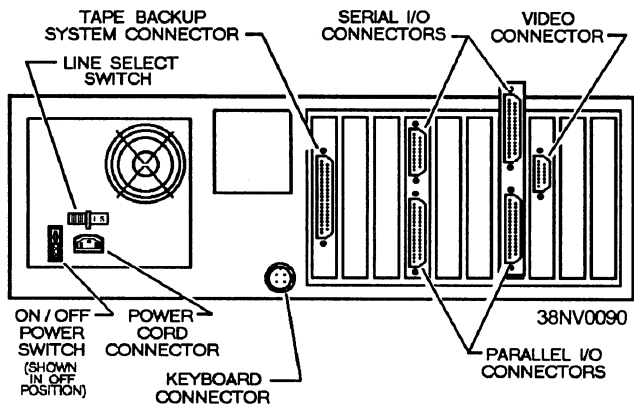


Figure 2-29.—Example of I/O jacks and other connections located on the rear of a microcomputer.

to make a connection. In figure 2-28, you'll notice that the jacks are not keyed; but because of their shapes, the connector can only fit one way.

External connector receptacles vary in location on the computer; it depends on the type of computer. However, they are usually located on the top or the rear of the frame or cabinet. Take a microcomputer for example, the I/O jacks and all other connections are located in the rear of the microcomputer. Look at figure 2-29; you'll notice the I/O jacks and other connections are located in the rear of the microcomputer's frame or cabinet. Some of the more common I/O external connectors used for the parallel and serial input/output of data are shown in figure 2-30. Notice the shape of each connector receptacle; the connector plug can only be inserted in one way.

### Cable Architecture

A cable consists of two or more insulated conductors in a common jacket. Cables are used to receive electrical power from power sources, to send data to (input) or receive data from (output) other

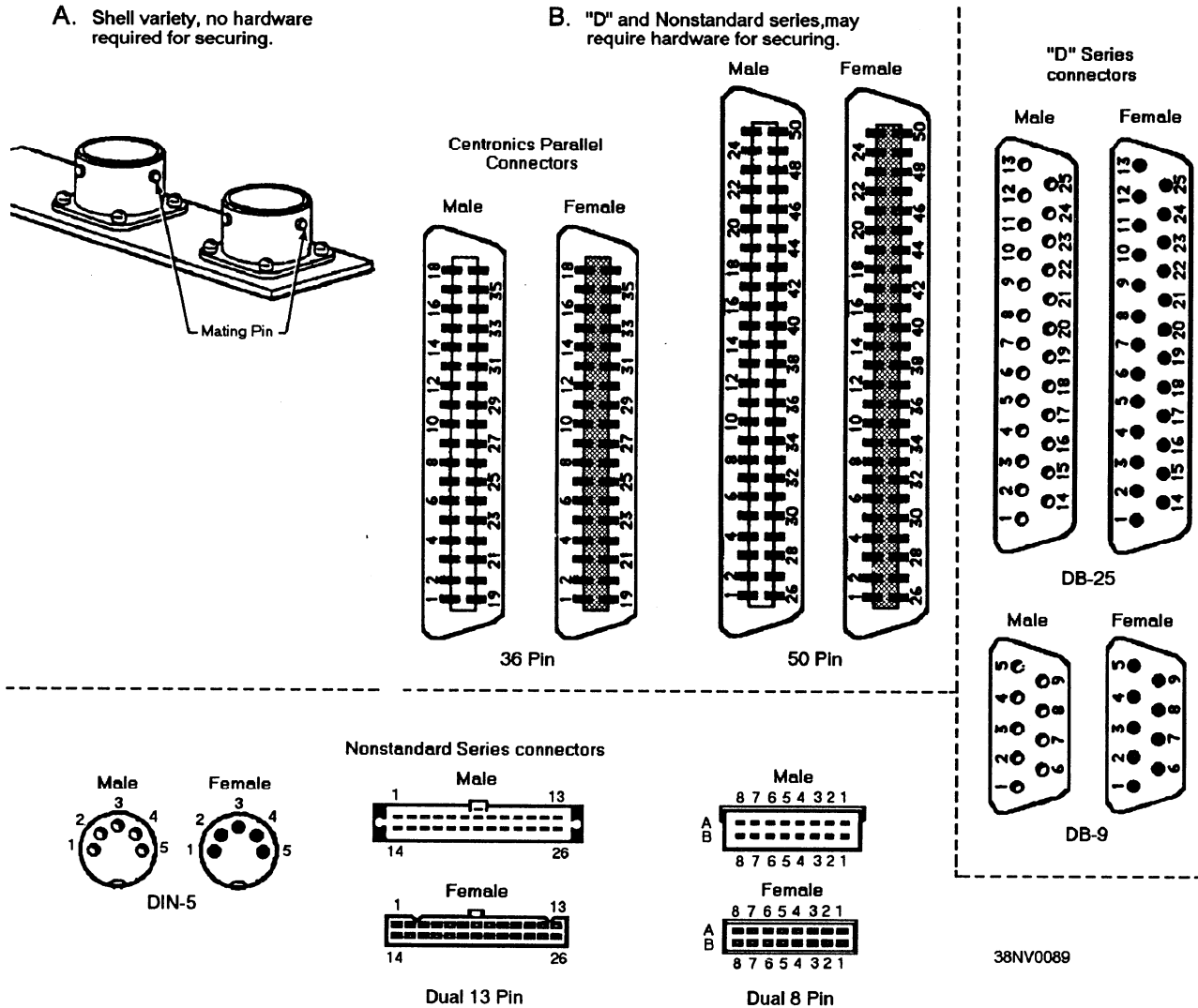


Figure 2-30.—Examples of the different types of external connector receptacles used by computers.

computers or digital equipment, and to interconnect units of the same computer together. We limit our discussion to I/O cables. The **interfacing standards** provide guidelines on the type and maximum cable length to be used for the I/O data cables. The number of conductors in each cable varies with type of computer. A cable can have from 2 to 120 conductors. The cable is grounded with a signal ground and/or to its common connector ground. If it has shielding, the shielding is also grounded to the connector (fig. 2-31). The cables must also be protected (shielded) from EMI and RFI. This is accomplished with a solid or braided covering of nonferrous conductive material, preferably copper. The cable is completely covered throughout its length. This insulated conductor or conductors provide high levels of RF attenuation to potential sources of compromising emanations (CE), such as RFI. This is not required for all cables; a shipboard environment and land-based operational sites, such as an ASWOC, are two examples of situations in which cables must be protected. We discuss some of the more common types of cables used for I/O transfer of data. They are flat, ribbon, twisted component, coaxial, and, fiber optic cables.

**FLAT CABLES.**— Flat cables consist of multiconductors. They can have individually insulated round conductors (solid or stranded) or bare conductors sandwiched between layers of insulation. See figure 2-32 for an example. Flat cables can be terminated with single-piece pcb or card-edge connectors, two-piece plug and receptacle pcb connectors, rectangular multipin connectors, or IDCs. They can be used for parallel and serial transfer of data. They are used extensively with microcomputers.

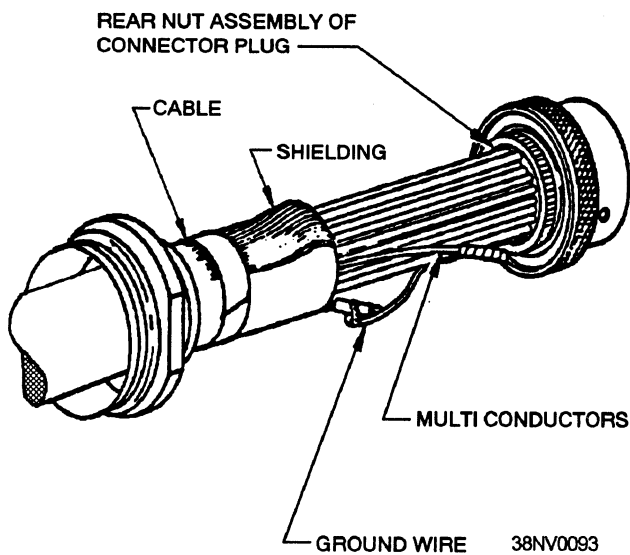
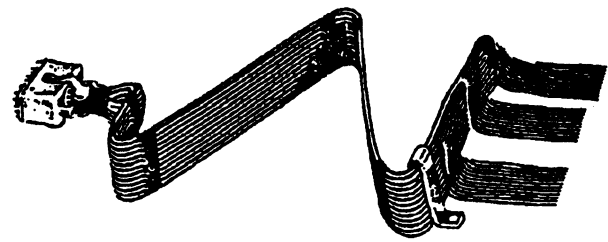


Figure 2-31.—Grounding a cable.



INSULATION

FLAT CONDUCTORS

ETFC0018

Figure 2-32.—Flat cable.

**RIBBON CABLES.**— Ribbon cables are flat multiconductor cables with individual insulated conductors (usually solid) that can be easily separated. Figure 2-33 is an example of a ribbon cable. Ribbon cables are extremely flexible and can be bent around sharp turns. They can be terminated with single-piece pcb or card-edge connectors, two-piece plug and receptacle pcb connectors, rectangular multipin connectors, or IDCs. Ribbon cables can be used for parallel and serial data transfer. They are also used extensively with microcomputers.

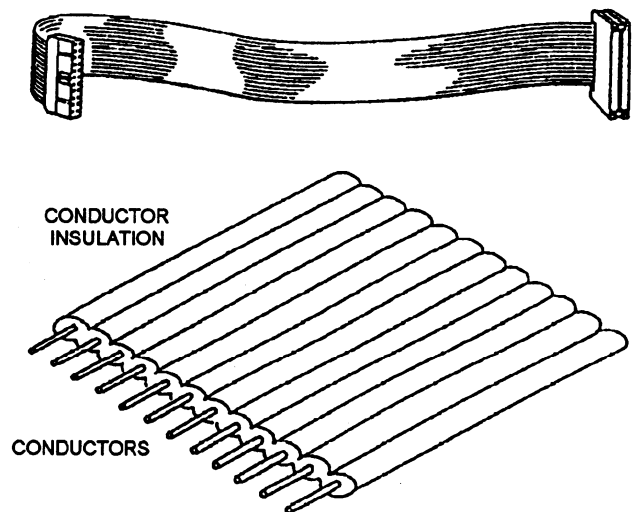


Figure 2-33.—Ribbon cable.

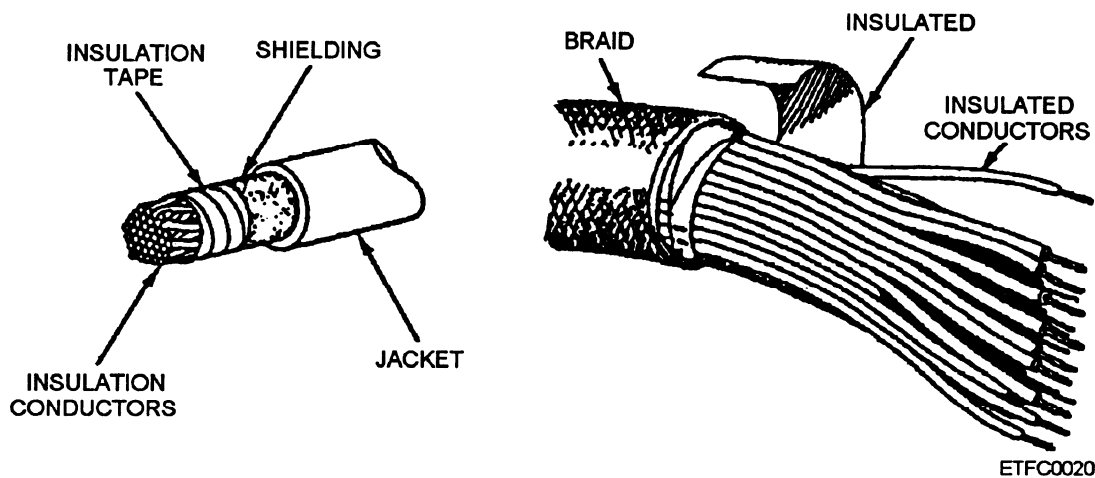


Figure 2-34.—Twisted component or multiconductor cable.

**TWISTED COMPONENT OR MULTI-CONDUCTOR CABLES.**— Twisted component cables consist of multi-insulated wires (solid or stranded), with up to 120 conductors. They can be single wires or twisted pairs. The cable is concentric in shape and the larger cables are usually semi-rigid to provide support and put less strain on the cable itself and its connector (fig. 2-34). Depending on the length of the cable, popular cable types for large main-frames and minis include 2U/2UW/LS2U or 2AU/2WAU/LS2AU. The construction and a description can be found in NEETS, Module 19, *The Technician's Handbook*. Twisted component cables can be terminated with rectangular multipin connectors or circular multipin connectors. They can be used for parallel and serial data transfer and in all types of computers.

**COAXIAL CABLES.**— Coaxial cables are designed to transmit signals efficiently between 1 kHz and 4000 MHz with minimum loss and little or no distortion. A coaxial cable is made of a central signal conductor covered with an insulating material (the dielectric core), which in turn, is covered by an outer tubular conductor (the return path). The cable is called coaxial because the conductors, usually two or three, are separated by the dielectric core. The inner core can be solid or stranded wire that is bare, tinned, or silver coated. Coaxial cables always have an outer shielding; refer to MIL-C-17 for specifications. Commonly used coaxial cables include RG-12A, RG-58, and RG-59 for coaxial and TRF-8 and TRF-58 for triaxial. Coaxial component cables are terminated with circular multipin connectors. Coaxial cables are used for serial transfer of data. Figure 2-35 shows examples of two types of coaxial cable: single and triaxial.

**FIBER OPTIC CABLES.**— Refer to NEETS, Module 24, *Introduction to Fiber Optics*, for a detailed discuss of the fiberoptic cabling. Fiberoptic cables are used for serial transfer of data.

**CAUTION**

**CARE SHOULD ALWAYS BE EXERCISED WHEN HANDLING CABLES. SEVERE BENDING AND HANDLING OF THE CABLE BY ITS CONNECTOR CAN CAUSE DAMAGE.**

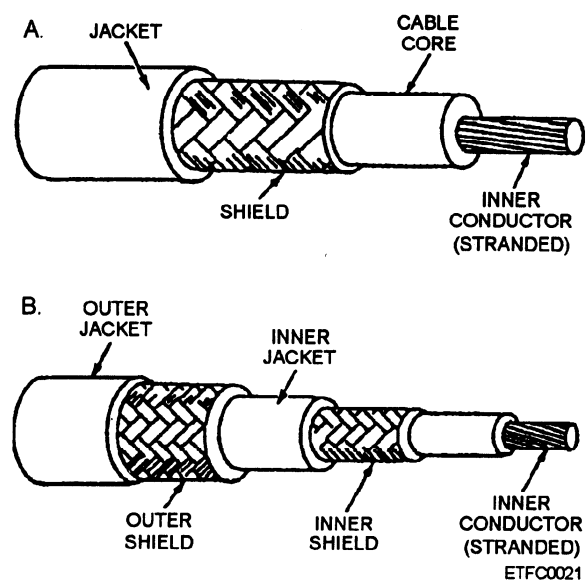
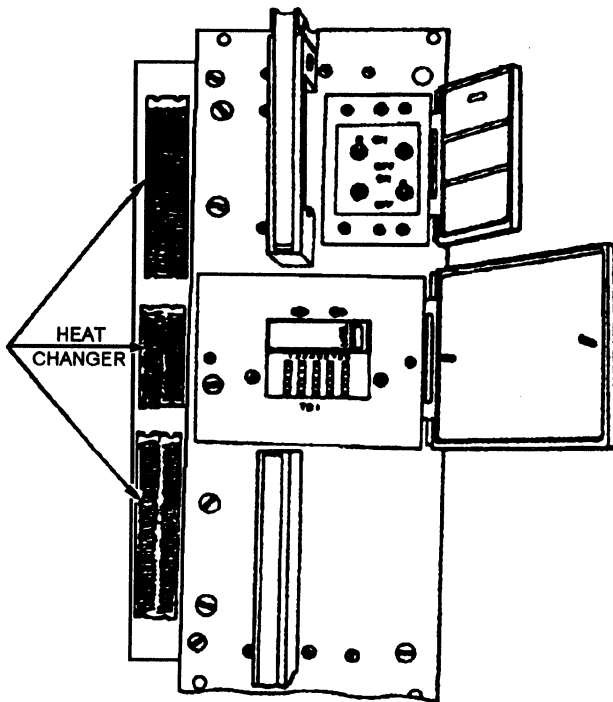


Figure 2-35.—Coaxial cable: A. Single; B. Triaxial.

## COMPUTER COOLING SYSTEMS

The computer itself is the most critical piece of equipment in any data system. Because the contents of any computer generate a lot of heat, the computer must have a cooling system and it must be maintained at ALL times. The computer's cooling system must be operating properly to ensure the computer will operate properly. The cooling system may be air cooled, liquid cooled, or a combination of air and liquid cooled. Remember, there are four methods of cooling—convection, forced air, air-to-air, and air-to-liquid. Examples of computer cooling systems are as follows:

- Heat sinks use convection cooling to dissipate heat in computer power supplies.
- Small box fans with a filter mounted in the rear of PC/desktop microcomputers use forced air cooling.
- Heat exchangers mounted on a module, the frame, or the cabinet and air filters for blower units use air-to-air cooling. (Figure 2-36 is an example of a heat exchanger used on a large computer. Notice it is mounted on the side of a module.)



ETFC0023

Figure 2-36.—Example of a heat exchanger used by a large computer mounted on the side of a module.

- Type III, Chilled Water/Distilled Water (CW/DW) Heat Exchanger with a CW/DW Heat Exchanger Standby is the liquid cooling system used for large water-cooled computers—primarily aboard ship.

Learn how your computer is cooled, and who is responsible for the maintenance. Remember, of the four methods, shore stations use a combination of the first three—convection, forced air, and air-to-air methods of cooling. Shipboard systems use a combination of all four method—convection, forced air, air-to-air, and air-to-liquid.

## SUMMARY—COMPUTER CONFIGURATIONS AND HARDWARE

In this chapter you have studied the various diagrams and layouts used to specify computer configurations and units, the major hardware parts of a computer system, the unit connections and cables, and the need for cooling systems. The following information highlights the important points you should have learned.

**FUNCTIONAL BLOCK DIAGRAMS—** Functional block diagrams provide you a detailed analysis of the principles of operation or the overall equipment, types of signals and their directional flow, and the major functional areas.

**FUNCTIONAL LAYOUTS—** Functional layouts show the major functional areas of the computer.

**PHYSICAL LAYOUTS—** Physical layouts show where each element/part of the computer is located. They do not show signal/signal flow.

**COMPUTER FRAMES/CABINETS—** The computer is housed in a frame or cabinet. The frame or cabinet may also contain the support areas (power supply and hardware for cooling). Frames and cabinets provide some protection against hazards such as shock, EMI or RFI, moisture, and personnel mistakes.

**SAFETY AND SECURITY DESIGN FEATURES—** Gaskets provides moisture sealing protection and protection from RFI and EMI. Filters provide electronic (RFI and EMI) and environmental (dust and dirt protection).

**SUBASSEMBLIES—** Subassemblies are the electronic parts of the computer. They contain components such as transistors, resistors, and capacitors, and/or pcb's. They may be sealed or unsealed. They may or may not have test points.



**PRINTED CIRCUIT BOARDS**— Printed circuit boards (pcb's) make up the majority of the computer's functional areas. They contain all the circuitry that electronically manipulates the data that enters and leaves the computer. The number, size, and arrangement of pcb's varies from computer to computer. Pcb's may be keyed to ensure they cannot be inserted incorrectly. Some pcb's are color coded. Pcb's have indicators and test points to help with maintenance.

**COMPUTER CONNECTIONS**— The computer must have an organized way to exchange and route data and power signals internally and externally.

**CONNECTOR ARCHITECTURE**— Connectors consist of a connector receptacle (jack) and a connector plug. They are designed to terminate pcb's, conductors, and cables between electronic circuits within a system, between systems and subsystems, and their power sources.

**INTERNAL CONNECTORS**— Connections are used inside the computer to interconnect the major individual units of the computer.

**EXTERNAL CONNECTORS**— External connectors receive electrical power from power sources, send and receive data to and from other computers or digital equipment, and interconnect units of the same computer system together.

**CABLE ARCHITECTURE**— A cable consists of two or more insulated conductors in a common jacket. Cables are used to receive electrical power from power sources, to send data to and receive data from other computers and digital equipment, and to interconnect units of the same computer.

**COMPUTER COOLING SYSTEM**— Cooling systems are needed because the contents of any computer generate a lot of heat.

Become familiar with the technical manuals, diagrams, and layouts for the computers you have responsibility for maintaining. Know how the computer system is configured and housed. Know the types of connections and cabling used.



## CHAPTER 3

# COMPUTER OPERATOR CONTROLS AND CONTROLLING UNITS

### INTRODUCTION

Although the computer can operate automatically under program instruction control, provisions to operate the computer manually are available. You may use keys and switches to affect overall computer operation, control parts of the operation, provide specific jump or stop conditions, or govern the speed of operation. You may use pushbutton indicators to modify all or part of the contents of registers. The computer's technical and owner's manuals, desktop guides, and system operating manuals are all excellent sources of information you can use to learn the operations of a computer and the functions of a particular system. Learn how to operate the computer in all modes to enhance your abilities as a technician.

**After completing this chapter, you should be able to:**

- **List the ways a technician can interface with a computer—the operator controls generally available**
- **Describe the types and functions of controls, indicators, keys, and switches usually available on operator and maintenance panels, display control units, keyboards, and teletypes to control computers and how they work**
- **Describe the controls and indicators used to monitor computer power and temperature**
- **Describe remote operator consoles and the ways to interface with the computer from a remote console**

Let's start your study of controls with the types you will find with computers. We examine how they work. Then we discuss the different types of controlling and monitoring units with which you will be working. When we discuss these controlling and monitoring units, we discuss the different types of functions usually associated with each unit and the types of controls used to activate these functions.

---

### TOPIC 1—TYPES OF COMPUTER OPERATOR CONTROLS

To monitor operations or perform maintenance on a computer, you must understand how to manipulate the computer's controls to initiate operations and to accomplish maintenance. Controlling units vary with the different types of computers; but if you understand

the basics, you can initiate operations and perform maintenance on any type of computer. Let's take a look at the types of controls used—their functions and uses.

#### POTENTIOMETER CONTROL

As a rule, potentiometers are associated with a control. Potentiometers are usually used to vary

the speed of an internal computer clock or to vary the intensity of indicators used on a controlling device.

## DISPLAYS

Some computers use a display of alphanumeric characters to provide computer status of the functional areas and for operator interfacing. You can find the interpretation of displayed information in the technical manual or owner's manual. The displays can be used when the computer is in an operational mode or a maintenance mode. Some computers use a dot matrix display; others use light-emitting diodes (LEDs) to display the alphanumeric characters. Some computers use a small three- or four-digit display to display an address and its contents. Other computers use larger displays. For example, one computer has a large display consisting of up to 44 alphanumeric characters per line and up to 6 lines. One portion of the display, when used for status, does not vary. The other portion, the operator interfacing part, varies in accordance with the types of operations being run at the time. The technology used with the operator interfacing portion of the display is ac plasma. This enables you to monitor operations.

## HOURS (TIME TOTALIZING METER)

Time totalizing meters show the total number of hours power has been applied to a unit or module. They usually use a four-digit display to indicate the number of hours. The display is similar to the odometer of an automobile.

## INDICATORS (LIGHTS)

The simplest way to show the status of an operation or a selected item is to turn on a light. Indicators usually come in several varieties—backlit indicators, color indicators, and clear indicators.

- Backlit indicators —The light bulbs are covered by a flat lens cover with clear alphanumeric cutouts that appear lit when the lamp is on.

- Color indicators —The light bulbs are inserted in a small solid colored casings with or without letters or characters. The whole casing glows when the lamp is lit. The casing can be square or round.

- Clear indicators —Clear indicators are the same as the colored variety, but the casing is clear and usually round.

## PROTECTIVE DEVICES

Protective devices can serve as controls. They are used in computers to prevent damage to the computer or to warn you of conditions that could be potentially dangerous. Circuit breakers and guards are two ways we can protect the computer. Audible alarms are sometimes used to alert us to potential problems.

- Circuit breakers —Circuit breakers remove ac input power when current becomes too high (i.e., internal short circuit).

- Guards —Guards are used to prevent accidental activation of selected keys and switches. A guard can be a clear lens that covers the key/switch or it can be a red cover. In either instance, the cover must be flipped up to gain unrestricted access to the key or switch.

- Audible alarms —Computers often use an audible device, installed internally. These devices can provide a warning that an abnormal condition is about to take place, or they can sound an alarm when an abnormal condition is in progress.

## SWITCHES

Switches are used to turn a unit on or off, to activate a function, or to set a parameter. You can activate switches by depressing them or flipping them up or down. Some switches are combined with an indicator to tell when they are activated.

Switches can activate an immediate response in computer operations. They can also be used to set parameters when the computer is being operated. Let's take a look at the different types of switches associated with computers. They include key switches, position switches, pushbutton switches, toggle switches, and two-position switches. See figure 3-1 for examples.

### Key Switches

To activate key switches, you lightly depress the keys. Some keys are combined with an indicator. Two types are generally found on computer controlling units—alternate-action keys and momentary-action/contact keys.

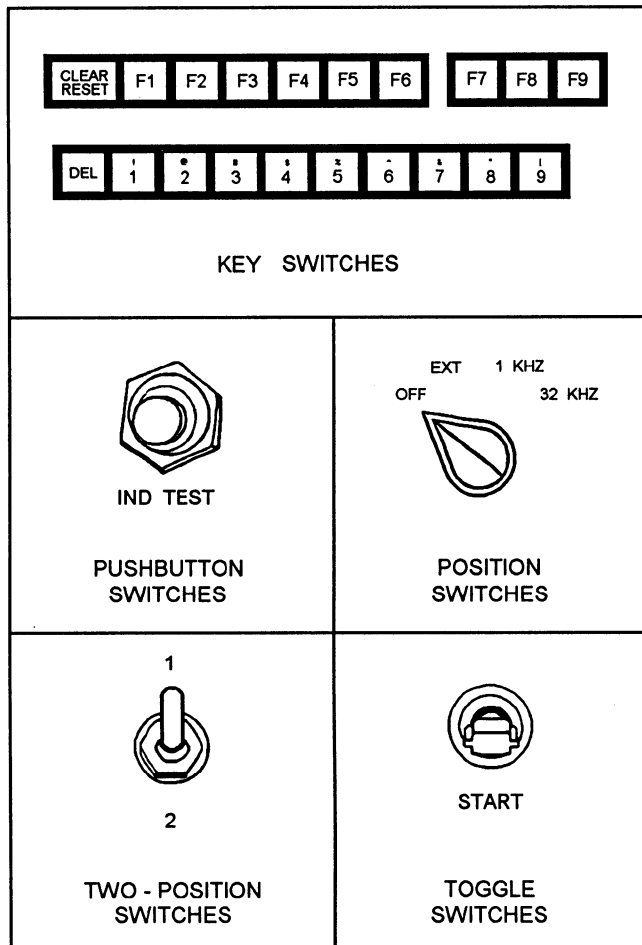


Figure 3-1.—Examples of switches used with computers.

- Alternate-action key switches —When you depress a key, it activates that function. Alternate-action keys come in a couple of varieties. With one variety, you simply depress the key to activate the function. To deactivate the function, you depress the key again. The second variety is the inward/outward variety. The function is activated when the key is latched inward and disabled when the key is unlatched outward. Some alternate-action keys have an indicator light telling you the function is active. These are called indicating keys/switches. Non-indicating lamp keys are the same as indicator keys except no indicator light shows the function is active.

- Momentary-action/contact key switches —Momentary-action/contact key switches operate on the principle that depressing them one time momentarily activates a function or sends data to the computer. Some momentary-action/contact keys are designed so that when you hold down the key, it repeats the function

continuously. Also some momentary-action/contact keys are backlit to indicate they are actuated.

### Position Switches

Two types of position switches are used on computer controlling units. They are the rotary and thumbwheel switches.

- Rotary switches —Rotary switches usually have several positions the operator can select by turning a knob. The values for the positions are usually marked on the controlling unit's cover. The position selected by the operator can be locked in that position until the operator selects another position.

- Thumbwheel switches —Thumbwheel switches are rotary position switches with alphanumeric characters built into the switch to indicate their position or value setting. You dial the alphanumeric settings on the switch in a manner similar to dialing the numbers on a thumbwheel combination lock. Each position is locked until you select another position.

### Pushbutton Switches

Pushbutton switches may or may not have indicators.

- Pushbutton non-indicator switches —Depressing a pushbutton non-indicator switch usually activates a function instantaneously. On some units and depending on the function, holding the pushbutton down continuously will have no effect. On other units, the function will be continuous until the pushbutton is released.

- Pushbutton indicator switches —Pushbutton indicator switches can be used manually to select a function or mode, to input data to the computer, or to indicate status automatically when under the control of the computer's software. Lens colors vary on pushbutton indicator switches. Also, on some pushbutton indicators switches, the lamp and switch are separate. This enables you to replace either the lamp or switch. On other pushbutton indicator switches, you must replace the whole item; the lamp and switch are not separate.

## Toggle Switches

Toggle switches work in several different ways: Let's examine the three most common types—alternate-action; momentary-action/contact, two-position; and three-position.

- Alternate-action toggle switches —Alternate-action toggle switches can be permanent up and return to neutral, or they can be permanent up or down. Placing the switch in a permanent up position will turn a unit on or off, activate a function, or set a parameter. Returning the switch to the center position (neutral) may or may not interact with the computer's software. Placing the switch in permanent up or down position can also cause an immediate or delayed response from the computer's software.

- Momentary-action/contact, two-position toggle switches —Momentary-action/contact, two-position toggle switches are usually used to initiate an operation or perform a function. Depressing the switch down momentarily activates this switch, and it will then return to a neutral position (center) when not being used.

- Three-position toggle switches —Three-position toggle switches operate basically the same way as the momentary action/contact, two-position toggle switches except one more variable has been added. These switches can be placed in a locked up position, left in the center position (neutral), or in the down position, which can be a momentary-action or locked down position. The center position may be used to set a parameter, or it may be used to disable the locked up/down position.

## Two-Position Switches

Two-position switches can be left in an up or down locked position. In either position there will an immediate response.

## TOPIC 2—TYPES OF COMPUTER CONTROLLING UNITS AND THEIR CONTROLS

We have discussed the types of controls that are associated with controlling units. Next you'll study the different types of controlling units associated with computers. It is important to note that not all types of controlling units are used to control every computer. You will not find each and every one of these controlling units on every computer you operate and maintain. However, some computers have a combination of two

or more of these controlling units to enable you to operate and perform maintenance on the computer. To show you how controls and indicators are generally labeled on drawings, we selected several examples and have presented them in figures. These examples point out many of the controls and indicators used on controlling units.

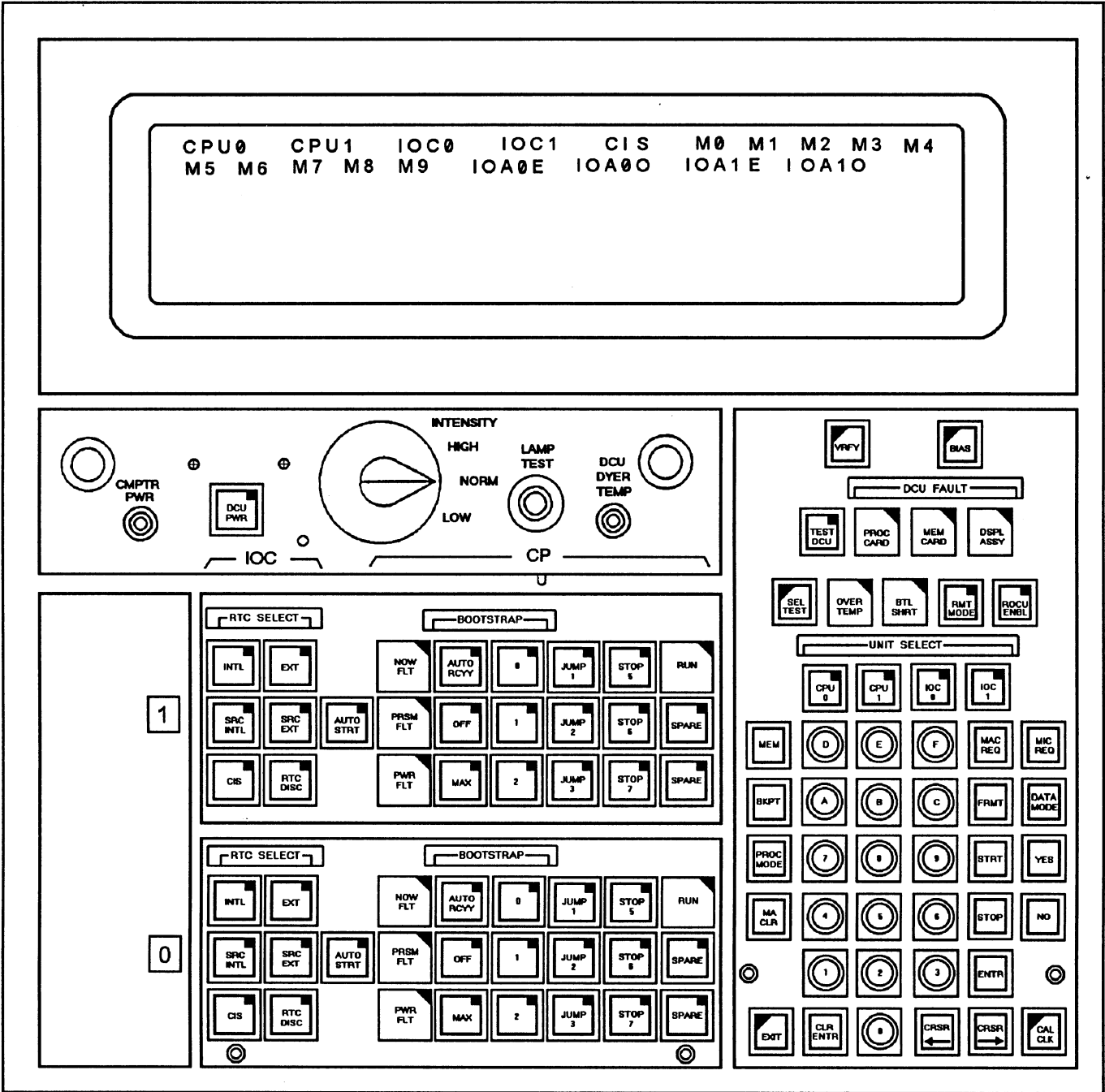
Learn the capabilities and limitations of each of these controlling units to enhance your abilities to operate and maintain any type of computer. We do not go into a detailed discussion of these controlling units, but rather we discuss the tasks they are capable of performing. You will find the operation of the controlling units in the computer's technical or owner's manual. In the operation or initial setup section of the technical or owner's manual, you will find a general description of the controlling unit or units on your system. It will give the operation, an illustration, and tables and figures to describe each control and indicator used by the computer or associated equipment. Manuals that have a functional description section provide all details of operation. Controlling units are also supported by circuit diagrams (prints) that contain information you can use to perform maintenance.

All controls and indicators are important; be particularly aware of controls that when activated interact with computer operations. Computer operations include those operations that are executed by programs/software as well as manual operations activated when performing corrective maintenance. The programs and software include the diagnostics used to perform preventive maintenance as well as the operational programs. An example of a manual operation would be a short maintenance program you would assemble and manually load into the computer and run to check a specific function of the computer.

Know and understand the controls and indicators thoroughly. They are your means of monitoring computer operations and an aid when you perform maintenance. Detailed information of every control and indicator will include the following:

- The name of the control or indicator
- Type of control or indicator
- Function and use of the control or indicator

Figure 3-2 is an example of a typical controlling unit for a computer.



ETFC0025

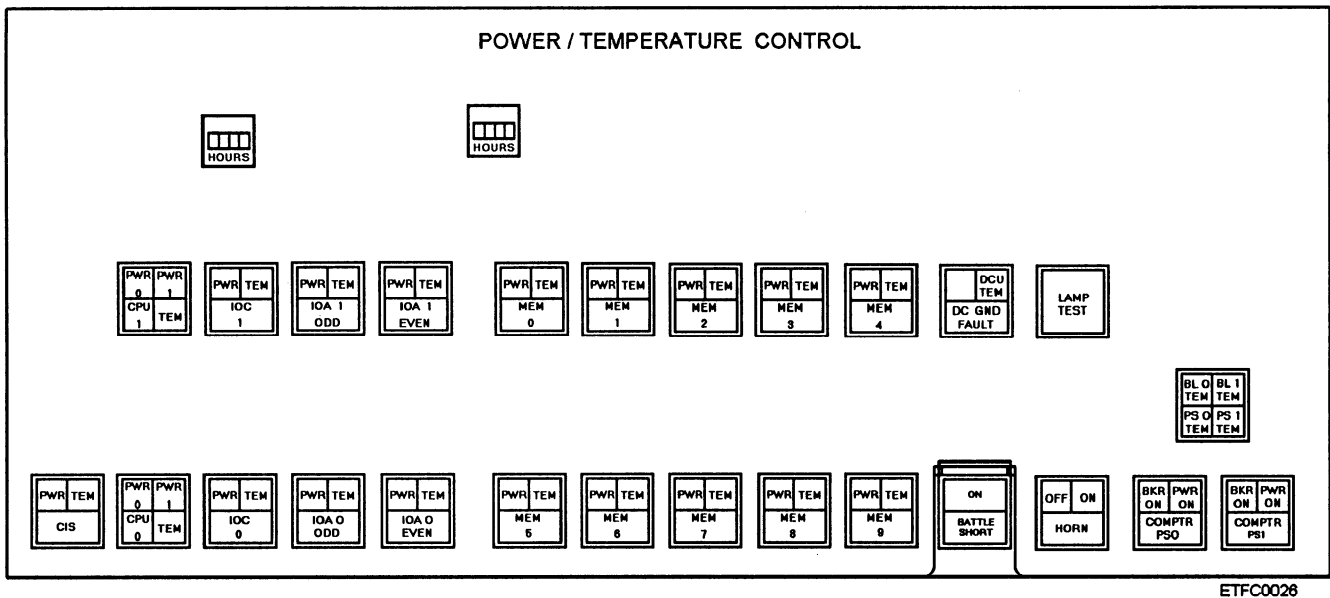
- KEY SWITCH
- KEY SWITCH / INDICATORS
- INDICATOR
- KEY SWITCH / NON - INDICATING LAMP (LIT ONLY DURING LAMP TEST AND DCU TEST)

Figure 3-2.—Example of a typical controlling unit

Table 3-1.-Part of a Table Detailing Controls and Indicators of a Typical Controlling Unit

CONTROL OR INDICATOR	TYPE	FUNCTION AND USE
DCU PWR	Alternate-Action Switch with Indicator	Controls application of computer power to DCU power supply line replaceable unit (LRU). With power on, switch is maintained depressed. Lit indicator shows that logic voltage is present at output of DCU power supply LRU.
CMPTR PWR	Indicator (Green)	When lit, power is present at output of computer primary power supply (PPS).
LAMP TEST	Pushbutton	Lights all indicators when depressed. Indicators are not lit when switch is released except those previously lit.
INTENSITY	Rotary Switch (HIGH, NORM, LOW)	Selects brightness of the DCU display (4, 15, or 30 footlamberts).
DCU OVERTEMP	Indicator (Yellow)	When lit, overtemperature exists in DCU.
DCU FAULT PROC CARD MEM CARD DSPL ASSY	Indicator (Red) Indicator (Red) Indicator (Red)	Lit when failure of DCU processor LRU exists. Lit when failure of DCU memory LRU exists. Lit when failure of DCU display LRU exists.
TEST DCU DIAG	Key-Indicator Key/Non-indicating Lamp	Starts DCU self-test. Starts diagnostic program for module shown failing by display; or all modules (if off line) and no failed modules.





ETFC0028

Figure 3-3.—Example of a power/temperature panel (P/TP).

Table 3-1 is an example of a table that contains detailed information about the controls and indicators—the name, type, and function and use of the controls and indicators. Other documents that are useful and provide information are system operating manuals and desktop guides.

Let's take a look at some of the controlling units used to control the computer. We begin with the units that only control the computer's power and move to the units you can use to remotely operate a computer.

### POWER/TEMPERATURE PANELS

Power/temperature panels (P/TPs) provide power controls and indicators and temperature indicators. They may also provide a running time meter, a lamp test, a battle short switch, and an alarm to notify you of an overtemperature condition. Refer to figure 3-3 for an example. Power/temperature panels allow for the powering down and up of the individual modules within the computer's frame or cabinet. This enables you to remove a designated module for repair.

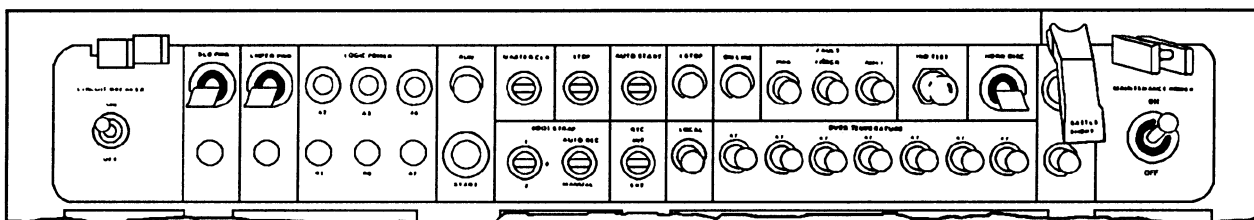
On any computer controlling unit that has provisions for controlling the computer's power, you must become familiar with the correct procedures for routine powering up/down and emergency situations. These procedures can be found in the computer's

technical or owner's manual, system operating manuals, desktop guides, or locally generated system doctrine. In our example, the power/temperature panel is located on the front of the computer's frame/cabinet for easy access and monitoring. This power/temperature panel has four levels of controls and indications. They are as follows:

- Primary power
- Computer power
- Module power
- Overtemperature indications

### OPERATOR PANELS

Operator panels contain the controls and indicators necessary to initiate computer operations including powering the computer up and down. They also enable you to monitor the computer during operations for logic power status, overtemperature conditions, programmed stops, and faults (power, program, and hardware), and test indicators. You can enable or disable the audible device and put the computer in a battle short condition. See figure 3-4. You can divide the operator panel into the following four areas:



ETFC0027

Figure 3-4.—Example of an operator panel.

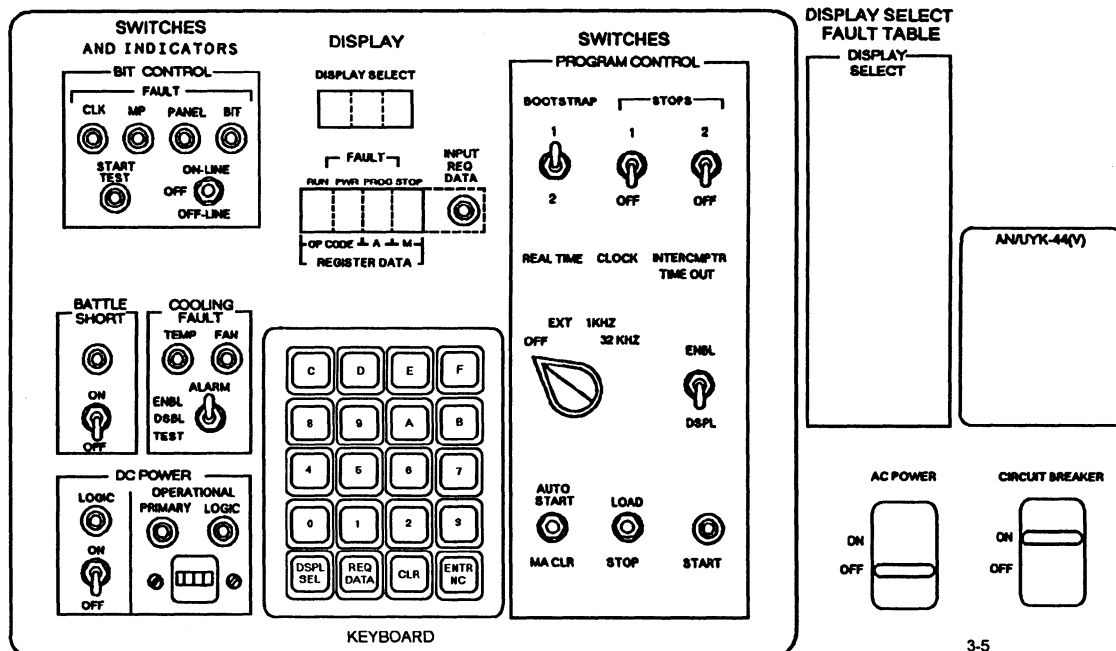


Figure 3-5.—Example of a control and maintenance panel (CMP).

- Power controls and indications
- Initiate computer operations controls
- Operations and temperature indications
- Battle short controls and indications

The operator panel only allows for powering up/down the maintenance console and the modules within the computer's frame or cabinet. It does not allow for powering up/down individual modules. Just like the power/temperature panel, you must become familiar with correct procedures for routine powering up/down and emergency situations. You will find these procedures in the computer's technical or owner's manual, system operating manuals, desktop guides, or locally generated system doctrine.

The operator panel is located in the frame or cabinet above the logic chassis. The operator panel has five levels of controls and indications as follows:

- Power (blower, logic, and battle short)
- Logic power indications
- Overtemperature indications
- Initiate computer operations
- Monitor computer operations

### CONTROL AND MAINTENANCE PANELS

Control and maintenance panels (CMPs) have controls for powering up/down the computer, loading and operating programs, initiating computer

operations, and testing the computer. Again review the procedures for routine and emergency power up/down procedures. You can divide control and maintenance panels and their controls and indicators into seven physical areas. They are as follows:

- Ac power controls
- Program controls
- Operator interfacing (displays and keyboard)
- Built-in-test (BIT) controls and indicators
- Battle short controls and indicators
- Cooling fault controls and indicators
- Dc power controls and indicators

The panel in our example (fig. 3-5) also lists some of the information that can be displayed in the Display Select or Fault. You can monitor operations using the display and indications; and you can interface (using inspect and change procedures or manual operations) with the CPU/IOC and memory using the display and keyboard. Computer monitoring capabilities during operations and maintenance include switch settings, hardware availability, halts, jump stops, and operator input. Remember that key settings can interact with computer software.

This control and maintenance panel is usually located in the front of the frame/cabinet. It has six levels of controls and indications. They are as indicated:

- Power (primary, logic, and battle short)

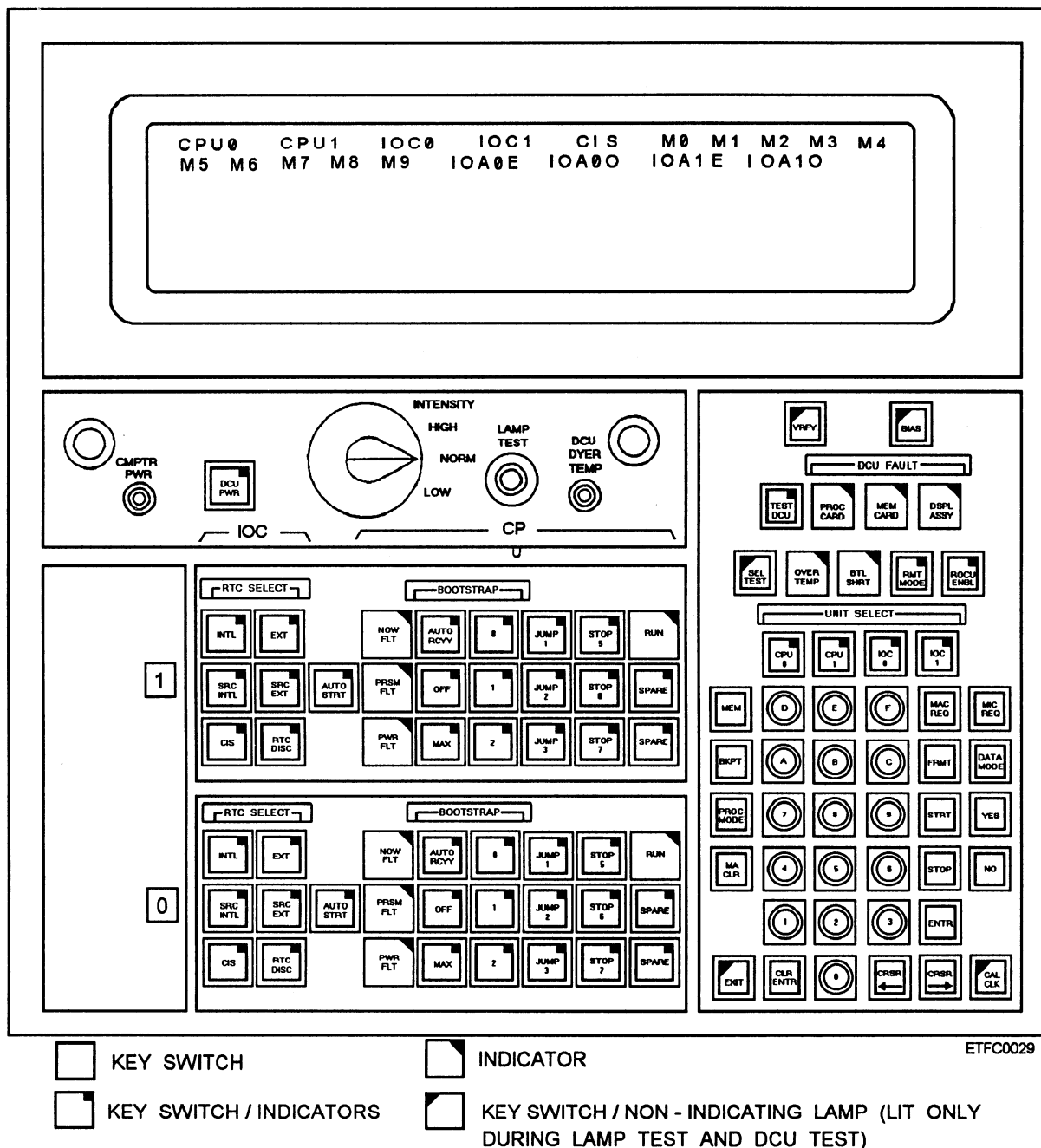


Figure 3-6.—Example of a display control unit (DCU).

- Loading and initiating operations
- Operator interfacing
- Testing
- Logic power indications
- Overtemperature indications

### DISPLAY CONTROL UNITS

Display control units (DCUs) have controls and indicators for powering up/down the DCU, loading and operating programs, initiating and monitoring computer operations, battle short operations, and testing the computer. Although you can only control

DCU power, it is a good idea to review the power up/down procedures for the computer set. DCUs have operator panels and alphanumeric displays and can be divided into four physical areas. They are as follows:

- Display
- DCU panel control
- CPU (bootstrap) and IOC (Real-Time Clock [RTC] Select)
- Operations and testing

See figure 3-6 for an illustration. You can control up to two CPUs and IOCs with this DCU. The keys used by

the DCU have surrounding barriers and interlocks to prevent accidental key action. The DCU display visually helps you to make the correct entries. The dot matrix display has six 44-character lines of status and maintenance data. You can monitor operations using the ac plasma display and the indicators. Interfacing (inspect and change and manual operations) with the CPU/IOC and memory is accomplished using the key switches. Monitoring capabilities include switch settings, hardware availability, halts, jump stops, breakpoints, and operator input. Remember that key settings can interact with computer software.

This DCU is located in the front of the frame/cabinet. The DCU has a built-in microprocessor with five levels of controls and indications. They are as follows:

- Loading and initiating operations
- Monitoring operations
- Status indications
- Operator interfacing
- Testing (self)

### COMPUTER CONTROL PANELS

Computer control panels are used to power up the CPU and for manual START, HALT, CLEAR, register display, and bootstrapping. The controls can initiate and monitor computer operations and load diagnostics contained on magnetic tape from an external peripheral unit. Then, from a data terminal, you can perform diagnostics on the computer. Monitoring capabilities include switch settings and display registers. Remember that key settings can interact with computer software. Some computer control panels limit their

access to authorized personnel only. A locked security cover must be removed to gain access to the panel's switches. Figure 3-7 is an illustration of a computer control panel. This computer control panel has three levels of controls and indications. They areas follows:

- CPU power
- Initiate computer operations (includes maintenance)
- Monitor computer operations

### MAINTENANCE CONSOLES

Computer logic test sets (maintenance consoles) allow you to operate the computer set under expanded, and varied conditions, and at various speeds and various operating modes. The maintenance console's primary purpose is to enable you to monitor instruction words and input/output commands and their execution, and to view the contents of various arithmetic and control registers. Monitoring capabilities include switch settings, hardware availability, halts, jump stops, breakpoints, and operator input. Remember that switch settings can interact with computer software. The maintenance console can be divided into three physical areas. They are as follows:

- Maintenance console control and indicator status
- CPU portion
- IOC portion

Refer to figure 3-8 for an illustration. This maintenance console may be located up to 15 feet from the computer set; but it is not designed to be mounted permanently atop the computer's cabinet. The maintenance console receives its power from the operator panel when online. When the maintenance

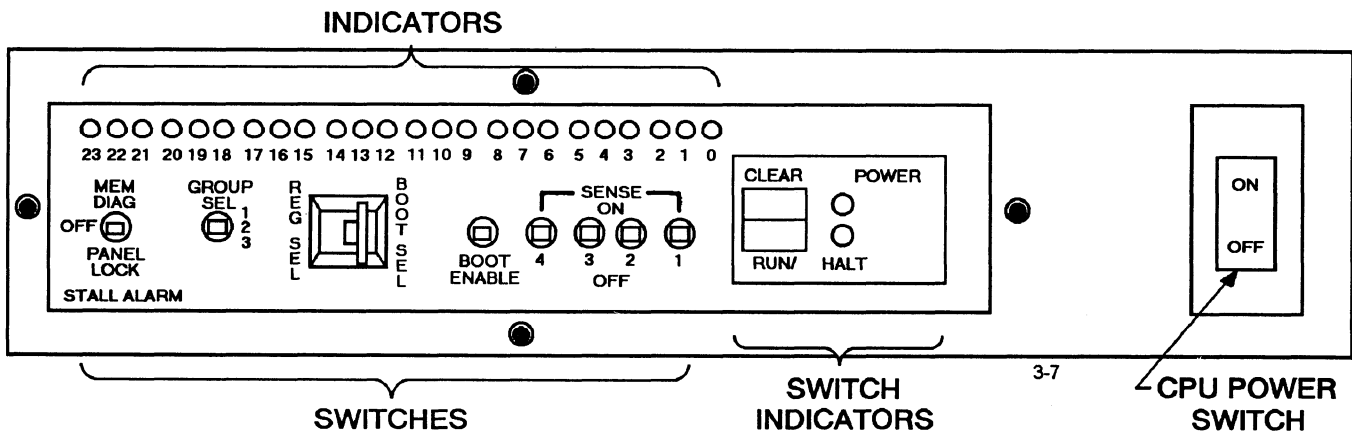


Figure 3-7.—Example of a computer control panel.

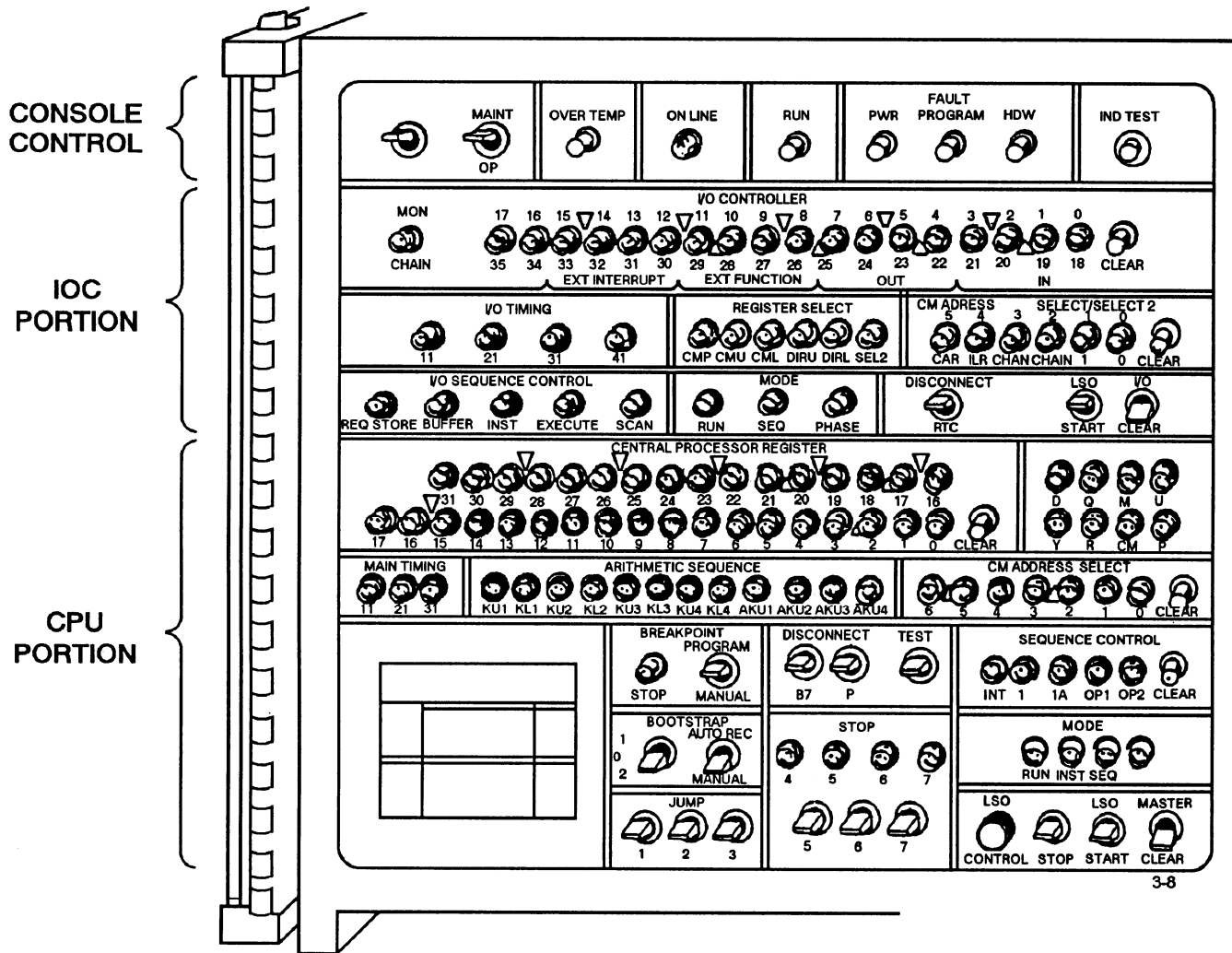


Figure 3-8.—Example of a maintenance console.

console is operational, its controls override those of the operator panel but not the remote operator console. The registers on the maintenance console are represented by pushbutton indicators. During operations, the registers provide status. Signals generated by the maintenance console, CPU, and IOC are displayed by the pushbutton indicators. The indicators can indicate that the computer is talking to other subsystems, such as the display or link subsystems. Monitoring the registers and controls is also performed during periods of preventive maintenance or when a computer malfunction occurs.

During maintenance you can set parameters or you can manually control the computer using different modes and varying speeds. Another useful function is inspect and change, where you can manually interface with the CPU and IOC for software enhancement. The maintenance console has the following four levels of controls and indications:

- Console indications
- Initiate computer operations
- Monitor computer operations
- Testing (automatic and manual)

### KEYBOARDS

Keyboards are your primary means of controlling the operations of microcomputers. They are also used in minicomputers and mainframe computers. They will probably be your main means for inputting programs and data into microcomputers/PCs. A monitor (color or monochrome) is used with the keyboard to view and monitor the operations. A monitor is a microcomputer's principal means of providing information to you. The monitor allows the microcomputer to communicate its actions to you, so that you can act upon those actions using the keyboard to accomplish whatever job you are doing. From a keyboard,

operation and maintenance of a microcomputer can be accomplished.

Keyboards come in many shapes and sizes, have different numbers and arrangements of keys, differ in respect to touch, and have special keys to allow you to communicate specific software commands. Most manufacturers have designed their keyboards as separate devices so you can place them wherever it is convenient (even in your lap). Other manufacturers have designed their keyboards into the display/monitor device or system unit. Refer to figure 3-9 for an illustration of a typical keyboard used with a PC.

The important things you need to know about keyboards are the types of keys and the function and the placement of each key. All keyboards have the alphabetic characters (upper and lower case), numbers, and some special characters. In addition, keyboards have special function keys and control keys that are defined by the operating system or the program. It is important to remember that any key or combination of keys can be assigned special meaning by a program. Therefore, the keys may have different meanings and functions depending on the program you are using. Once again, we remind you, read all the documentation that comes with each program and with the computer system. The keyboard has the following three levels of controls and indications:

- Initiate computer operations

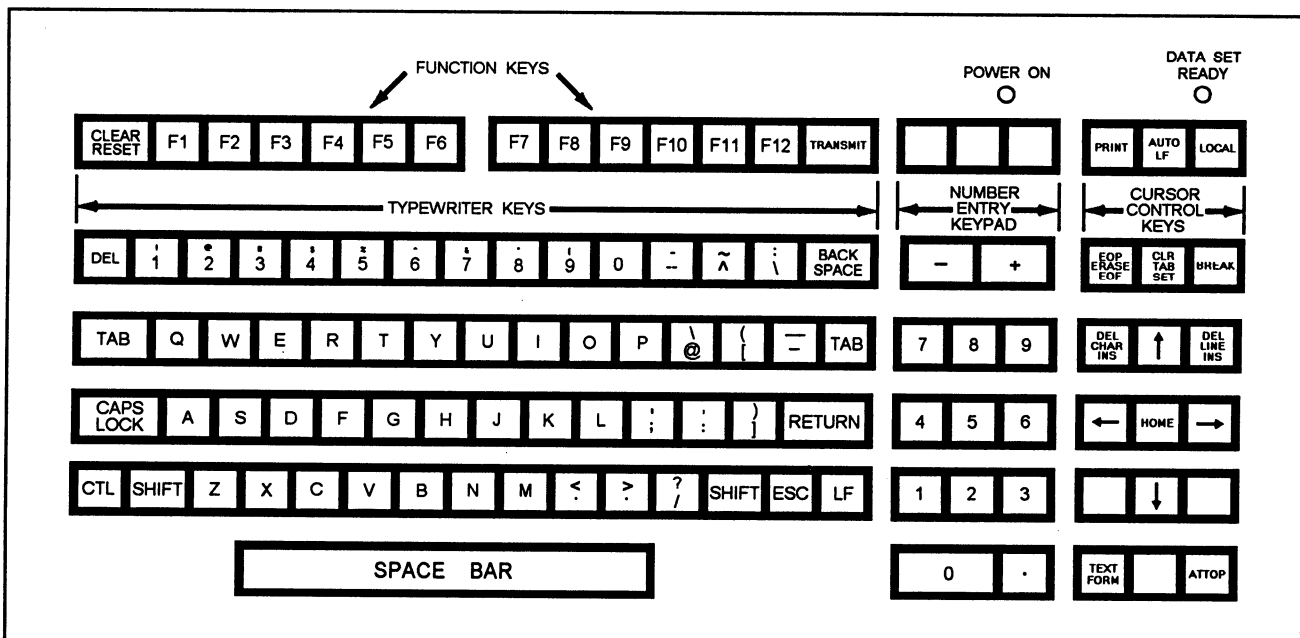
- Control computer operations
- Testing

In addition to a keyboard, a microcomputer may have a mouse. The mouse can be used with the monitor as a controlling device after the computer has been booted and the operating program has been initialized. The operational program must be specially designed to interface with a mouse.

## TELETYPES

Teletypes can be used as input/output communications consoles (IOCCs). They are used primarily as means of inputting information to the computer and receiving information from the computer. Teletypes have a keyboard for inputting and a printer for outputting. Once you have loaded the programs/software (operational or maintenance) into the computer, an IOCC or terminal of control (TOC) is used to initialize the programs and communicate with the computer when operating during operations or maintenance. You use the keyboard to give the computer commands and parameters and the printer portion to repeat back commands and parameters and provide status of equipment or software and test completions.

The commands used to communicate with the computer are specific to the operating system and the operational or maintenance programs. You can find the



ETFC0032

Figure 3-9.—Example of a typical keyboard used with a PC.

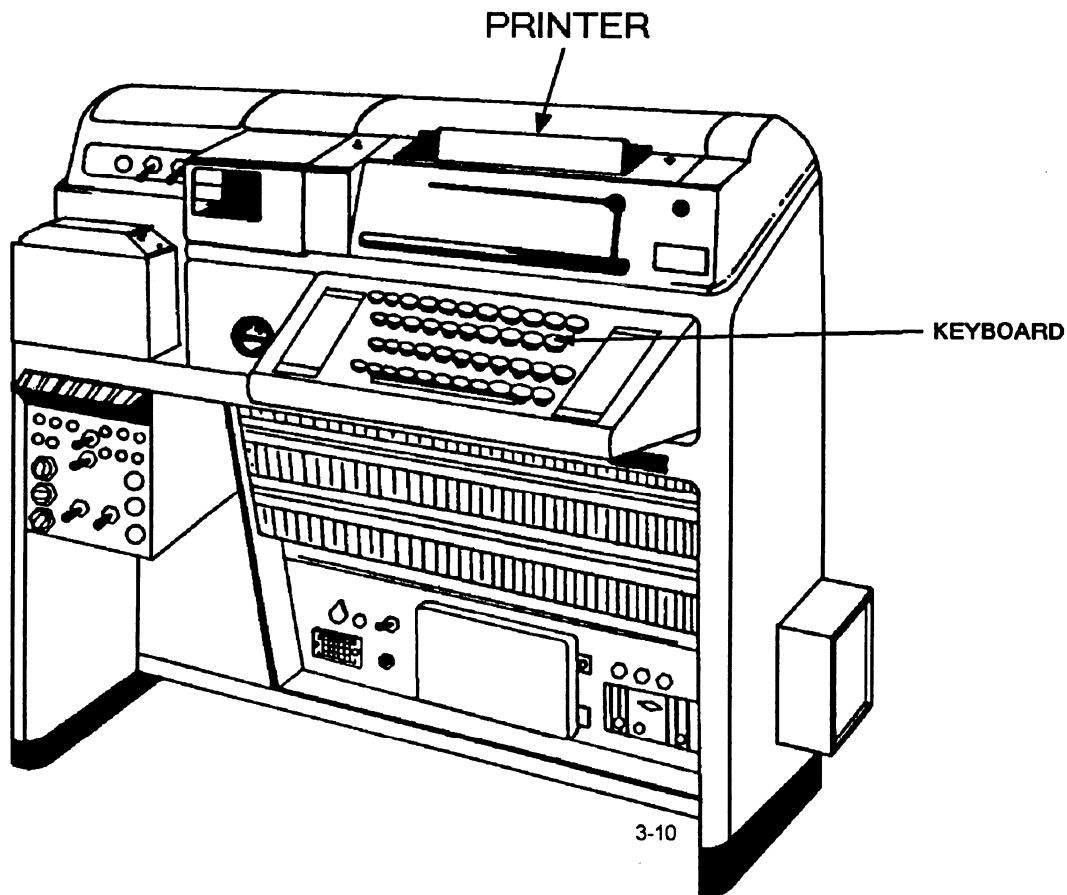


Figure 3-10.—Example of a teletype.

commands to communicate in the system operating manuals (SOMs) and the documentation used for testing. The keyboard used with an IOCC is similar to a stand-alone keyboard except there are no special function and control keys. Figure 3-10 is an illustration of a teletype used with a computer. The teletype has two levels of controls and indications. They are as follows:

- Initiate computer operations
- Control computer operations

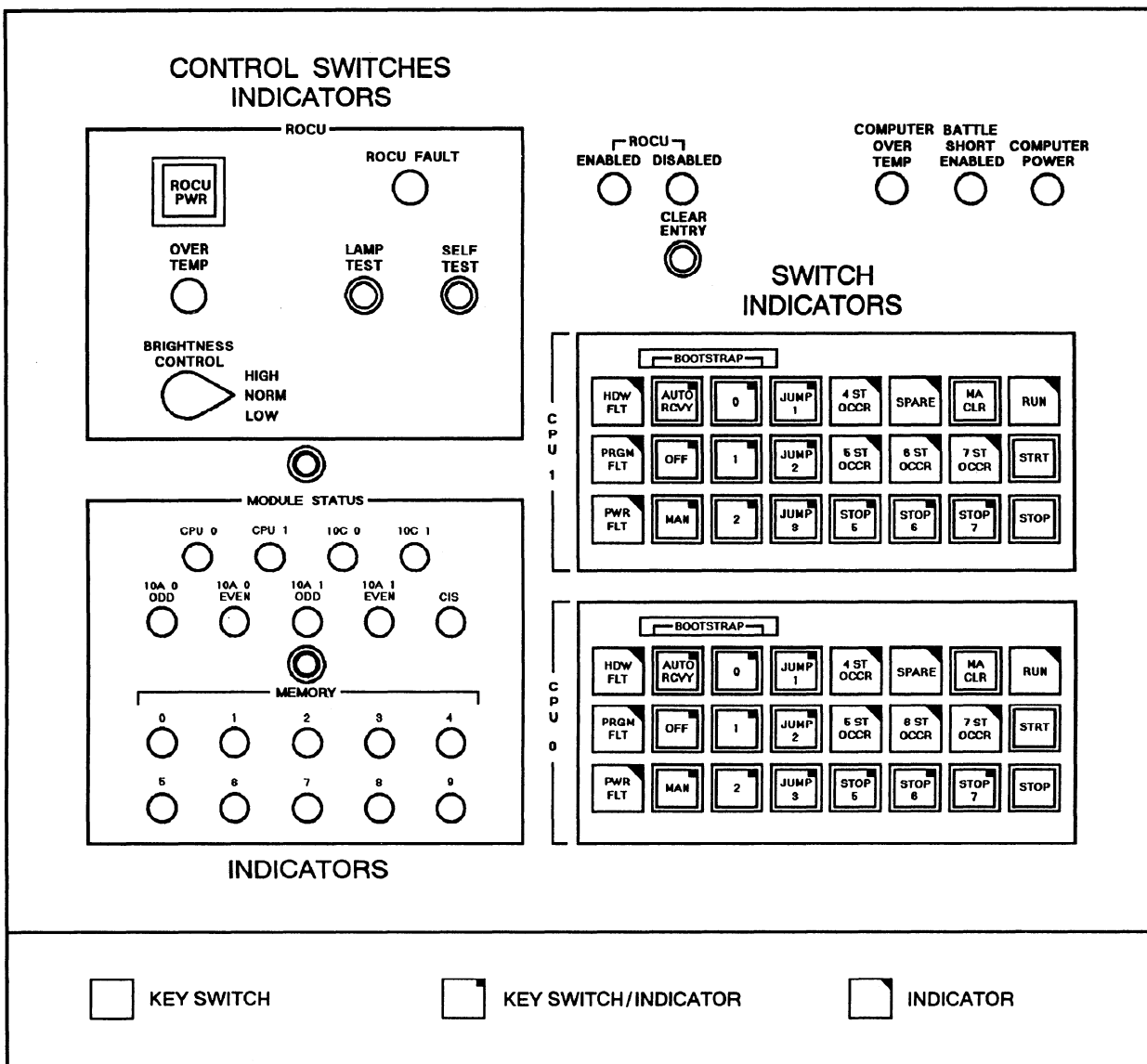
### REMOTE CONSOLES AND REMOTE OPERATOR CONTROL UNITS

Remote consoles and remote operator control units (ROCU) have controls and indicators you can use to initiate, control, and monitor computer operations. You cannot power the computer set up/down from this unit. From some remote units you can initiate, control, and monitor up to two CPUs. Other remote units only allow you to initiate, control, and monitor one CPU at a time. Some remote units have a built-in microprocessor to

indicate faults and perform self-tests on the remote unit. Remote units can also indicate an overtemperature condition. More sophisticated remote units can control their own power supply, indicate if the computer is in a battle short condition, and monitor and indicate individual module status.

Remote units can be located from 150 to 300 feet from the computer. Remote consoles monitoring capabilities include switch settings, hardware availability, halts, jump stops, breakpoints on some computer sets, and operator input. Remember, key settings can interact with computer software. Depending on the technology of the remote unit, it can have up to four levels of controls and indications as follows:

- Self-testing and fault indications
- Initiate computer operations
- Control computer operations
- Monitor individual module status and overall computer status



3-11

Figure 3-11.—Example of a remote operator control unit (ROCU).

Refer to figures 3-11 and 3-12 for illustrations of remote (operator control unit) consoles of computer sets.

You have studied the various ways you can control different types of computers. You must master the controls and indicators to operate and maintain the computers and related equipment to which you are assigned.

### SUMMARY—COMPUTER OPERATOR CONTROLS AND CONTROLLING UNITS

This chapter has covered computer controls and controlling units. The following information summarize important points you should have learned:

**COMPUTER OPERATOR CONTROLS**— You may use operator controls to manually operate the computer, affect the operation, and/or control parts of the operation.

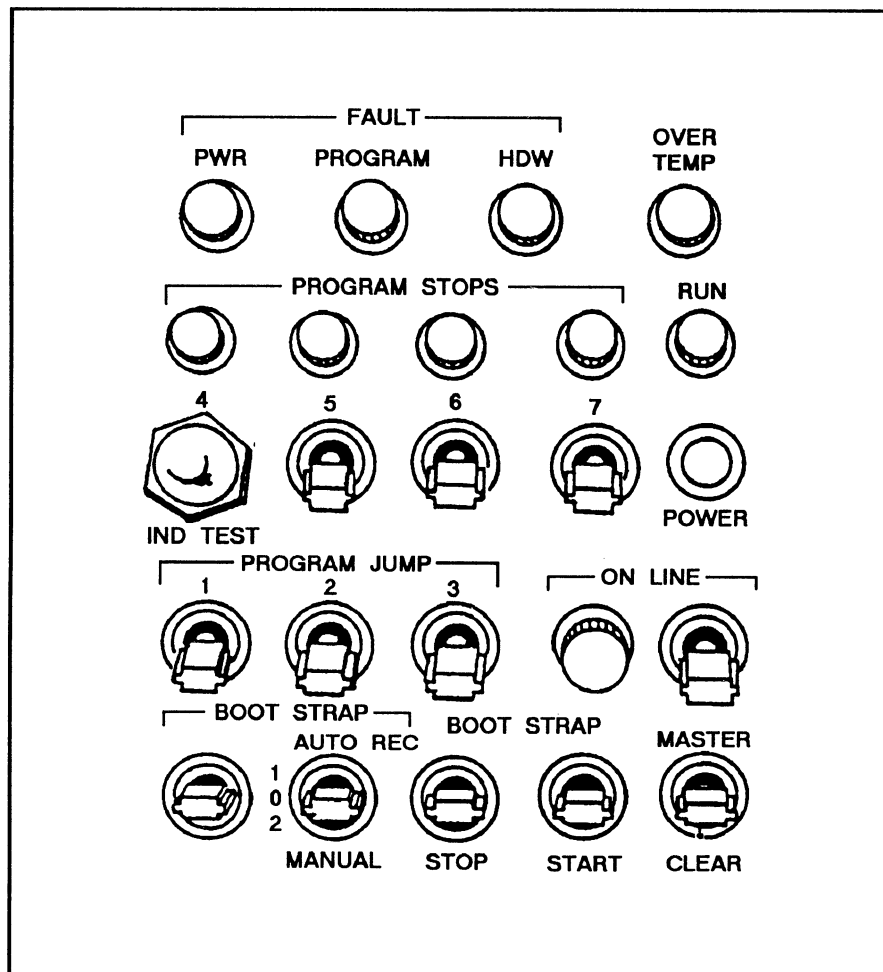
**INDICATORS**— Indicators show status by turning on a light.

**PROTECTIVE DEVICES**— Protective devices can prevent damage to the computer or warn you of conditions that are potentially dangerous.

**SWITCHES**— Switches are used to turn a unit on/off, to activate a function, or to set a parameter. There are many types. Some you press, some you flip up and down, and some are combined with indicators.

**COMPUTER CONTROLLING UNITS**— Each computer or computer system has one or more controlling units. These units enable you to manually





3-12

Figure 3-12.—Example of a remote console.

control the operation of the computer to some extent or to provide parameters that affect the operation. To learn the capabilities and limitations of the units on your system, look in your technical manual or owner's manual in the operation or initial setup section.

Study your technical manuals and owner's manuals. Learn all you can about the ways you can interact and control a computer from controlling units. Remember all controls and indicators are important; know what they do before activating them.



## CHAPTER 4

# COMPUTER COMPONENTS AND CIRCUITS

### INTRODUCTION

The computer's functions and operations can be very complex. However, fundamentally they are based upon simple building blocks that are repeated many times in the computer. The computer uses a binary system: it has two, and only two, states. The digital functions and operations of the computer are based upon logic algebra (Boolean algebra), which is a perfect fit for the binary (base 2) number system. Let's take these two concepts—logic algebra and binary—and apply them to the computer's number systems, logic, circuits, and data types and formats.

To maintain computers effectively, you must understand their components (number systems, logic, circuits, data types and formats, and power supplies) and how they make up a computer's functional areas. You must understand their functions in a computer and be able to determine if a computer's components are functioning properly.

This topic will refresh your knowledge of computer components. Keep in mind that the technology is ever changing, but the components are common to all computers; an AND gate works the same in a microcomputer as it does in a large mainframe. A computer performs arithmetic and logical functions on the input data, and then outputs data to the appropriate computer or device.

The logic circuits used in a computer will be based on the requirements of the computer and on what logic circuits best fulfill the requirements. Table 4-1 lists manuals and documents that provide information on circuits; integrated circuits (ICs) (linear and digital), their types, identification, methods of production, packaging, size integration, logic family, and specifications; standard cells (symbols); circuit types, operations and uses; Boolean algebra; and number systems. If you want to refresh your knowledge of any of these areas, we recommend you study the appropriate manuals and/or documents.

**After completing this chapter, you should be able to:**

- Describe how number systems are used in computers
- Describe how Boolean algebra can be applied to computers
- Describe how ICs are packaged and their various integration sizes
- Describe the families of digital logic and differentiate between them
- Interpret digital logic gate waveshapes
- Describe digital ICs—their groups, logic gates, flip-flops, and functional uses

- Describe linear ICs—their families, groups, functions, and uses
- Describe timing circuit components and functions
- Describe computer data types and formats
- Describe power supply functions and how they work

Table 4-1.—Sources of Information on Circuits, Symbols, Boolean Algebra, and Number Systems

NEETS Module 7	<i>Introduction to Solid-State Devices and Power Supplies</i> —circuits; ICs (digital and linear), their identification and packaging; and circuit types, their operations and uses
NEETS Module 8	<i>Introduction to Amplifiers</i> —ICs (linear), their types and standard cells (symbols); and circuit types, their operations and uses
NEETS Module 9	<i>Introduction to Wave-Generation and Wave-Shaping Circuits</i> —ICs (linear and digital), their types and standard cells (symbols); and circuit types, their operations and uses
NEETS Module 13	<i>Introduction to Number Systems and Logic Circuits</i> —ICs (digital), their types and standard cells (symbols); circuit types, their operations and uses; Boolean algebra; and number systems
NEETS Module 14	<i>Introduction to Microelectronics</i> —ICs (linear and digital), their types, methods of production, identification, packaging, size integration, logic family, and specifications; standard cells (symbols); and circuit types, their operations and uses
NEETS Module 19	<i>The Technician's Handbook</i> —ICs (linear and digital), their types, identification, packaging, and specifications; standard cells (symbols); and circuit types, their operations and uses
ANSI/IEEE Standard 91-1984	<i>IEEE Standard Graphic Symbols for Logic Functions</i> —standard cells (symbols); and circuit types, their operations and uses
ANSI/IEEE Standard 991-1986	<i>IEEE Standard for Logic Circuit Diagrams, 6</i> —standard cells (symbols); and circuit types, their operations and uses
Military Specifications MIL-M-38510	<i>Microcircuits, General Specifications for</i> —ICs (linear and digital), their types, identification, methods of production, packaging, logic family, and specifications; and circuit types, their operations and uses
Military Standards MIL-STD-1562	<i>List of Standard Microcircuits</i> —circuits; ICs (linear and digital), their types, logic family, and specifications; and circuit types, their operations and uses

## TOPIC 1—COMPUTER NUMBER SYSTEMS

Because digital logic circuits can be designed for more efficient operation using binary circuits instead of

decimal circuits, the computer uses binary numbers to represent digital codes for instructions and data maintained internally. Digital computers use derivatives based on binary numbers. The two most popular derivatives used by digital computers today are

DECIMAL (BASE 10)	BINARY (BASE 2)	OCTAL (BASE 8)	HEXADECIMAL (BASE 16)
0	00000	0	0
1	00001	1	1
2	00010	2	2
3	00011	3	3
4	00100	4	4
5	00101	5	5
6	00110	6	6
7	00111	7	7
8	01000	10	8
9	01001	11	9
10	01010	12	A
11	01011	13	B
12	01100	14	C
13	01101	15	D
14	01110	16	E
15	01111	17	F
16	10000	20	10
<b>Examples</b>			
255	11111111	377	FF
256	100000000	400	100

Figure 4-1.—Illustration equivalences between binary, octal, hexadecimal, and decimal numbers.

the octal and hexadecimal number systems. Figure 4-1 illustrates the equivalences between binary, octal, hexadecimal, and decimal numbers.

Although the computer works well with binary numbers; typically, we humans do not. For one thing it takes too many bits to represent a number. Remember, in the binary number system, a bit is the smallest

representation of a number, either 0 or 1. For that reason, the octal and hexadecimal number systems are used for functions and mechanization of the logic circuits. Octal numbers can be represented in groups of three bits and hexadecimal numbers can be represented in groups of four bits. These groupings can then be used for printouts or displays to represent the computer's

internal contents rather than binary. Figure 4-2 illustrates how binary numbers can be displayed using the octal and hexadecimal representations of numbers. You will find this information very useful when performing maintenance because many of the maintenance panels and display control units rely on octal and hexadecimal displays.

The binary system is used in computers to represent machine codes used for program instruction and execution; and for computations (logical and mathematical operations).

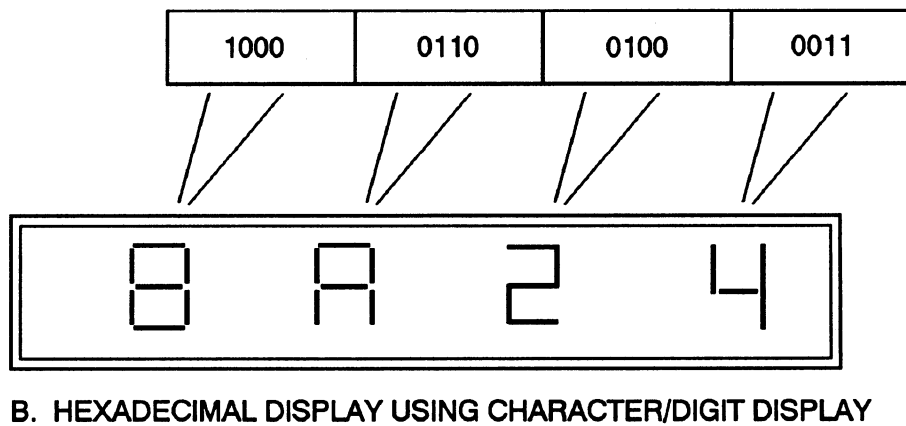
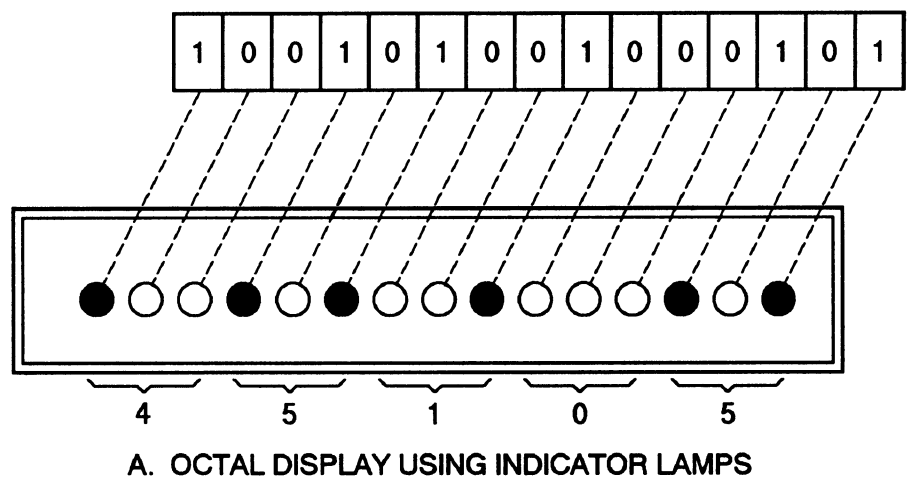
### TOPIC 2—COMPUTER LOGIC

You know the two digits of the binary number system can be represented by the state or condition of electrical or electronic devices. A binary 1 can be represented by a lamp that is lit or a switch that is on—a true condition. And the opposite, a binary 0, would be represented by the same devices in the opposite direction, the lamp is off or the switch is off—a false

condition. **Boolean algebra**, the logic mathematics system used with digital equipment, takes the two logic levels, 1 and 0, and applies them to basic logic gates. Truth tables are frequently used to show the gate output for all possible combinations of the inputs. The basic logic gates, **AND**, **OR**, and **NOT**, are used in different variations and combinations to form the basic building blocks used in a computer, the **combinational** and **sequential** digital logic circuits. Later in this chapter, we discuss the different uses of these combinational and sequential logic circuits in the computer. In chapter 5, we discuss how the functional areas of the computer use the combinational and sequential logic circuits to process data.

### TOPIC 3—COMPUTER CIRCUITS

The computer relies on electronic circuits throughout; from circuits that convert input power to the desired requirement to the circuits used for the functional areas. Today's computers rely heavily on the



38NV0102

Figure 4-2.—Illustration of how binary numbers can be displayed: A. Octal display using indicator lamps; B. Hexadecimal display using character/digit display.

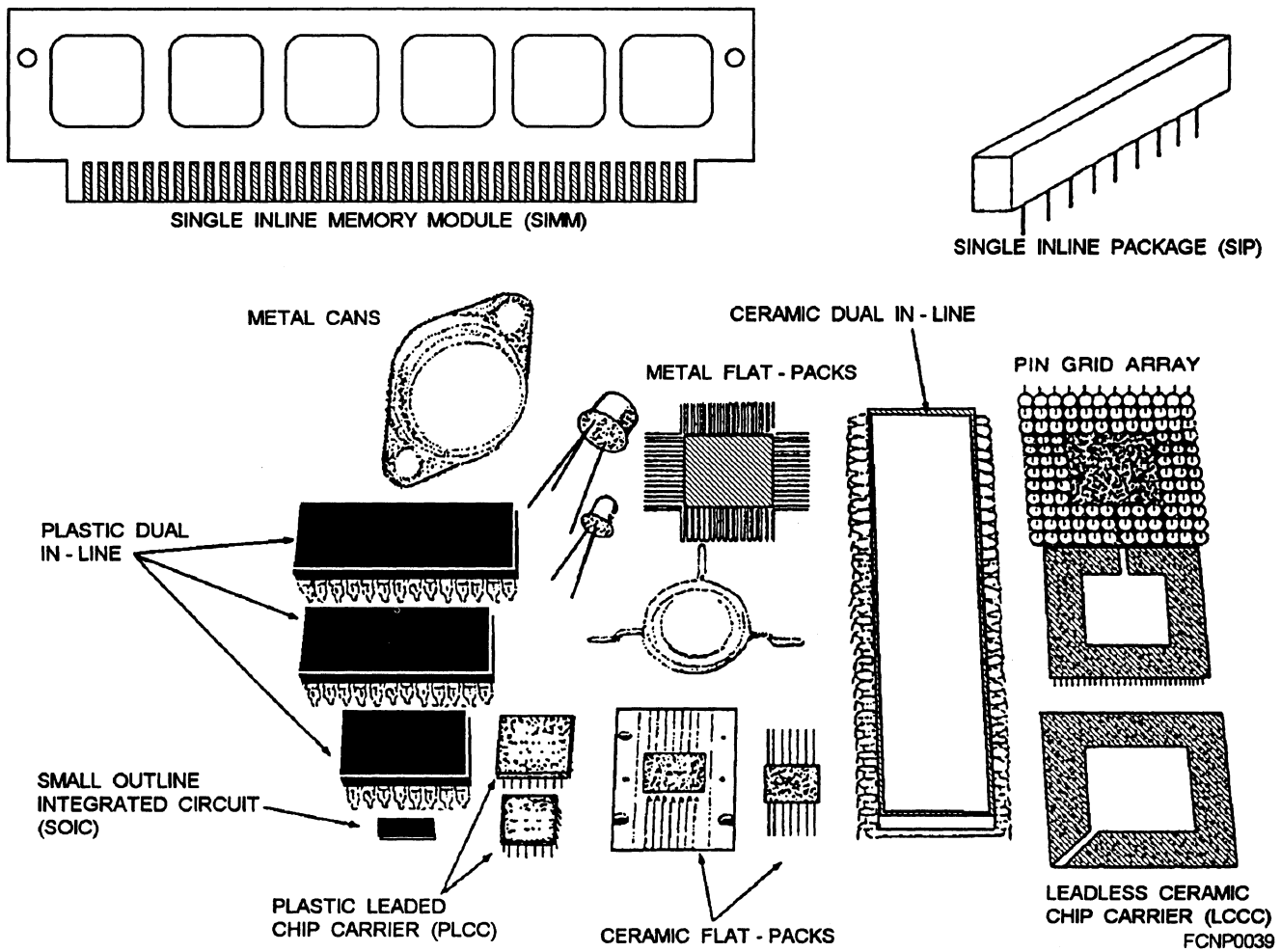


Figure 4-3.—examples of IC packaging.

use of integrated circuits. Therefore, we focus on the use of ICs in the computer.

The **integrated circuit** is a complete electronic circuit, containing transistors and perhaps diodes, resistors, capacitors, and other electronic components, along with their interconnecting electrical conductors. ICs provide three major advantages: small size, low cost, and high reliability.

## IC PACKAGING

How ICs are packaged is determined by how they are integrated in a computer system. Packaging includes but is not limited to the following:

- Dual-in-line packages (DIPs); plastic and ceramic
- Flat-packs; metal and ceramic
- Metal cans (transistor-outlines [TOs])
- Leadless chip carriers (LCCs); plastic (PLCCs) and ceramic (CLCCs)

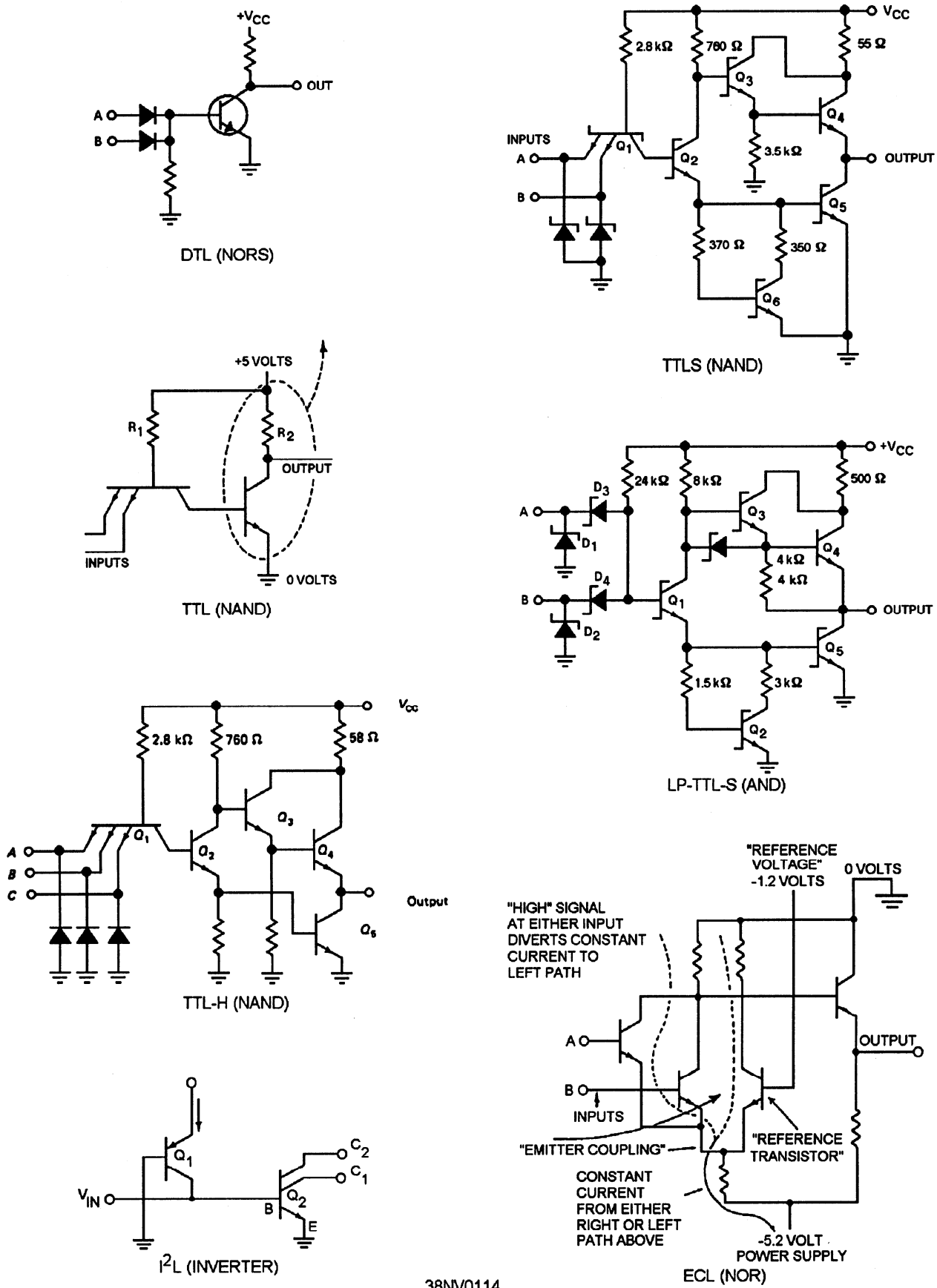
- Leaded chip carriers
- Small-outline ICs (SOICs)
- Pin grid arrays (PGAs)
- Single inline memory modules (SIMMs)
- Single inline packages (SIPs)
- Single inline pin packages (SIPPs)

See figure 4-3 for IC packaging examples.

## IC SIZE INTEGRATION

The reason ICs are packaged in various sizes is not the chip they require, but the number of leads; the more leads, the larger the package. The number of gates of each IC determines the integration sizes. The types of integration are summarized as follows:

- Small-scale integration (SSI)—ICs with up to 9 gates.
- Medium-scale integration (MSI)—ICs with 10 to 100 gates.



38NV0114

Figure 4-4.—example schematics of bipolar ICs.



- Large-scale integration (LSI)-ICs with more than 100 gates.
- Very large-scale integration (VLSI)-ICs with more than 1000 gates.

## IC FAMILIES

The types of IC families are identified by the different ways in which the elements are connected and by the types of elements used (diodes, resistors, transistors, and the like). The two families of ICs in widespread use today are bipolar and metal-oxide semiconductor (MOS). They can be used in both digital and linear ICs. They can also be combined on the same IC chip to obtain the advantages from each technology. ICs that combine the technology of bipolar and MOS are referred to as Bipolar MOS (BIMOS). Refer to the glossary for a brief description of bipolar, MOS, and BIMOS if you need to.

## IC CATEGORIES

To perform their functions, digital computers use two broad categories of ICs—digital and linear. **Digital ICs** contain switching-type circuitry. **Linear ICs** contain amplifying-type circuitry. You can say that the computer uses digital ICs to perform the decision-making functions internally and linear ICs to perform the regulating and sensing functions internally and externally. The digital and linear ICs rely on and work with each other. Most ICs contained in a computer are digital; hence, the computer is referred to as being digital. The larger building blocks of the computer will use these smaller building blocks that digital and linear ICs provide to perform the functions of the computer.

## TOPIC 4—DIGITAL IC'S

Digital ICs handle digital information by means of switching circuits. They can also be used to control and regulate power for working devices such as a power supply. Digital ICs are used to process and store information in computers.

## DIGITAL IC FAMILY TYPES

Digital IC family types include bipolar and metal-oxide semiconductors.

### Bipolar ICs

Digital bipolar ICs include:

- DTL (Diode-Transistor-Logic)
- TTL (Transistor-Transistor Logic), the most widely used packaged IC. Variations of TTL include TTL-H (high-speed TTL), TTL-S

(TTL-Schottky), and LP TTL-S (low-power TTL-S)

- ECL (emitter coupled logic), also called CML (current mode logic)
- IIL or I<sup>2</sup>L (Integrated injection logic)
- Advanced Schottky (AS)
- Advanced Low-Power Schottky (ALS)

See figure 4-4 for example schematics of bipolar ICs.

### Metal-Oxide-Semiconductor (MOS) ICs

Digital MOS ICs include:

- CMOS (Complementary metal-oxide semiconductor)
- NMOS (N-channel MOS)
- PMOS (P-channel MOS)
- CD (CMOS Digital)
- TTL-C (Bipolar TTL series in CMOS technology)
- QMOS (Quick MOS)
- HCMOS (High-Speed CMOS)

See figure 4-5 for example schematics of MOS ICs.

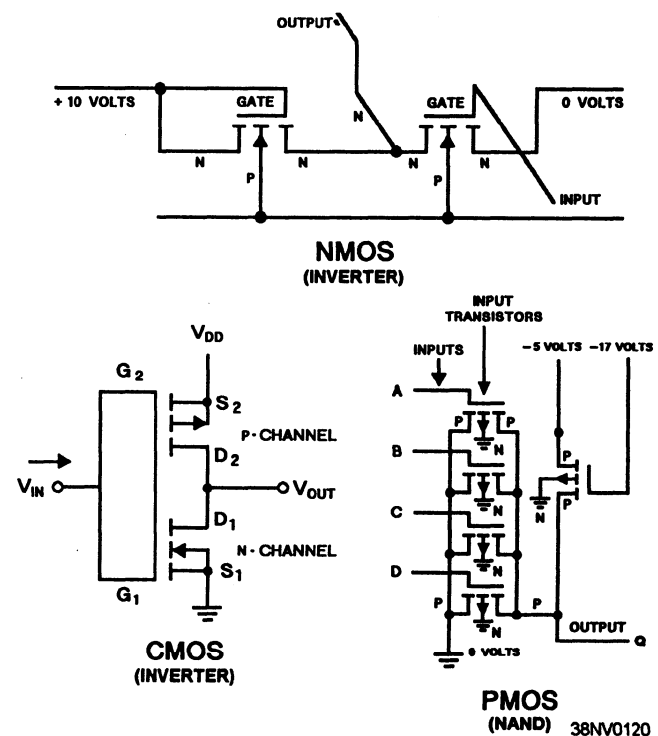


Figure 4-5.—Example schematics of MOS ICs.

## DIGITAL IC CONVENTION

The theorems of Boolean algebra are applied to the AND, OR, or NOT logic gates, or any logic gates, on the basis that only two possibilities exist as far as any statement of their outputs is concerned. Their statements are either **true** or **false**. A **1** symbol is true and a **0** symbol is false. In digital logic circuits, the 1 and the 0 are represented by different voltage levels and the particular logic convention must be specific. When the logic levels for a computer are defined, the two voltages will be relative to each other when determining if it is positive or negative logic.

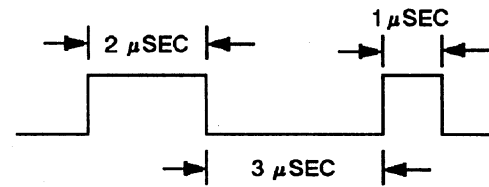
Digital computers can use either **positive** or **negative** logic. There are advantages and disadvantages to both types. Depending on its application in a system, the specific logic convention is consistent throughout the entire computer. The concept of positive and negative logic is more than a matter of voltage levels. Positive logic indicates that the voltage level for a 1 will be more positive than the voltage level for a 0. Negative logic indicates that the voltage level for a 1 will be more negative than the voltage level for a 0. The following examples are given:

- **Positive logic:** True = 1 = HIGH = +5 volts  
False = 0 = LOW = 0 volts  
OR  
True = 1 = HIGH = 0 volts  
False = 0 = LOW = -5 volts
- **Negative logic:** True = 1 = HIGH = 0 volts  
False = 0 = LOW = +5 volts  
OR  
True = 1 = HIGH = -5 volts  
False = 0 = LOW = 0 volts

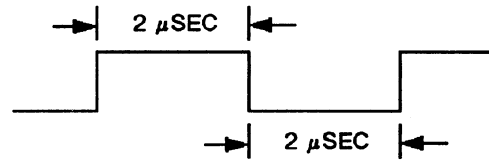
When it is necessary to use a piece of test equipment in performing maintenance on the computer, you will need to know the logic convention the computer uses.

## DIGITAL LOGIC GATE INPUT AND OUTPUT WAVESHAPES

The waveshapes of the inputs and outputs of digital logic gates are important when analyzing the operation of digital logic gates. They can provide you valuable information when you perform maintenance. All digital logic gates produce waveshapes on the input or the output of the gate(s). The input and the output can be monitored individually or they can be monitored at the



A. NON-SYMMETRICAL



B. SYMMETRICAL 38NV0121

Figure 4-6.—Examples of waveshapes: A. Non-symmetrical; B. Symmetrical.

same time. Learn what the waveshapes mean and learn how to analyze them. Remember, the clock pulses and timing signals play an important role in the operation of the digital logic gates, combinational and sequential. Waveshapes come in two types: **non-symmetrical** and **symmetrical**. Refer to figure 4-6 for examples.

Three characteristics of waveshapes can play an important role in your understanding of computers. You can use them to monitor and/or analyze waveshapes. The following examples of each will help you see how they are calculated:

- **Pulse width (PW)** —PW is the time interval between specified reference points on the leading edge and trailing edges of the pulse waveform. Pulse widths are usually further defined as a positive PW and a negative PW. Refer to figure 4-7 for an example.

- **Pulse-repetition time (PRT)** —The PRT of a signal refers to the time period from the starting point of a repeating waveshape until the starting point of the next repetition. Refer to figure 4-8 for an example measurement.

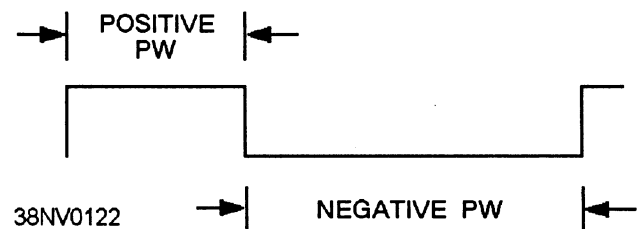


Figure 4-7.—Examples of pulse width (PW) measurements.

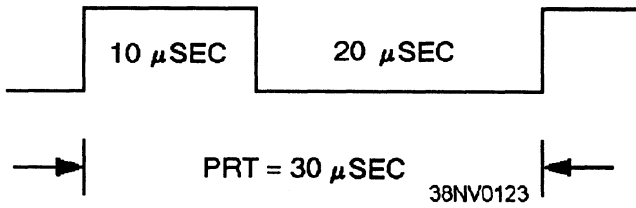


Figure 4-8.—Example of pulse-repetition time (PRT).

• Pulse-repetition frequency (PRF) —The PRF of a signal is the number times per second that a complete cycle of the signal occurs and is expressed in hertz (Hz).

Learn the relationships between PW, PRT, and PRF. They can be very helpful and can save you valuable time when you analyze waveshapes. You can apply them to non-symmetrical and symmetrical waveshapes. The basic formula is as follows:  $PRF = 1/PRT$ .

Using figure 4-8, we can calculate the PRF. Since the PRT is 30 msec, then using the formula would give:  $PRF = 1/PRT = 1/30 \text{ msec} = 33 \text{ kHz}$ .

## DIGITAL IC GROUPS

The basic building blocks of digital logic circuits contained in a computer are **logic gates**. The logic circuits contained in digital logic circuits can be classified into two groups: **combinational** and **sequential**.

• Combinational digital logic circuits —The basic building block for combinational digital circuits is the logic gate.

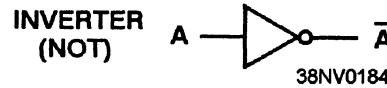
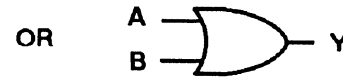
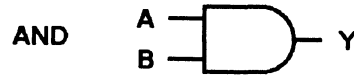
• Sequential digital logic circuits —The basic building block for sequential digital circuits is the flip-flop. Flip-flops are formed from variations of the combinational digital circuits.

## Digital Logic Gates

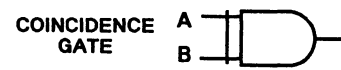
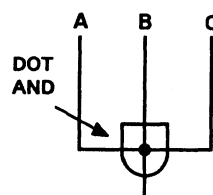
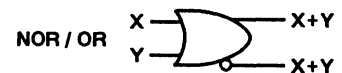
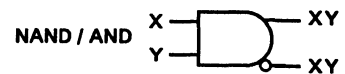
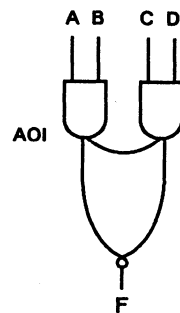
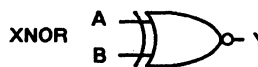
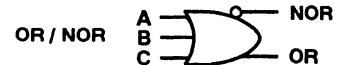
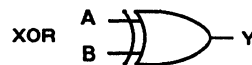
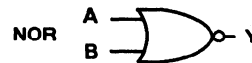
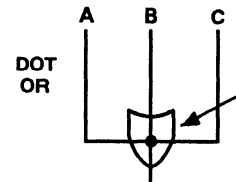
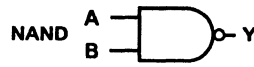
Digital logic gates are the basis for operations in a digital computer. The digital logic gates you will encounter operate with binary numbers; hence, the term *digital logic gates*. They are combinational and sequential logic elements.

The **AND**, **OR**, and **NOT** logic gates are the basis for all logic gates. These three logic gates are used in different combinations and variations to form logic gates that perform decision-making functions throughout the computer. Included in our discussion

are the symbols associated with the logic gates. The basic logic gates with their symbols are as follows:



Simple variations of the three basic functions AND, OR, and NOT gates are used as building blocks for the other types of logic gates used in the computer. These logic gates with their symbols are as follows:

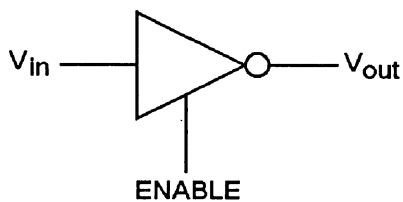


38NV0186

Another variation of the three basic functions is the **tristate logic gate**. It has three states: the standard 0 and 1 and a third state, which disengages the gate from the system. In tristate logic, the third state is an open circuit. A tristate device allows the connection of the outputs of devices in parallel without affecting circuit operation. An example of a tristate inverter and its truth table is provided in figure 4-9. When the enable signal corresponds to logic 0, the circuit operates as a normal inverter; if  $V_{in}$  is a logic 0,  $V_{out}$  is a logic 1, and vice versa. If, however, the circuit is enabled (enabled = 1), the output is an open circuit regardless of the states of the input signal.

### Flip-Flops

Flip-flops are sequential logic elements. Their operation is influenced by their previous condition, or by the sequential application of clock pulses that set the timing of all computers. More about timing later in this topic. Flip-flops are also called bistable multi vibrators. The output of a flip-flop (0 or 1) remains the same until a specific input signal changes its output state. Flip-flops are used to store data temporarily, perform mathematical operations, count operations, or to receive and transfer data. They have only two distinct outputs and can have up to five different inputs depending on the type of flip-flop. They can represent one bit or more than one bit. Refer to figure 4-10 for an example of a basic flip-flop.

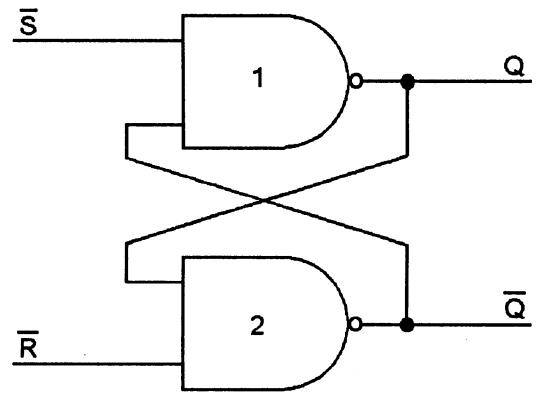


A. LOGIC SYMBOL

ENABLE	$V_{in}$	$V_{out}$
0	0	1
0	1	0
1	0	OPEN CIRCUIT
1	1	OPEN CIRCUIT

B. TRUTH TABLE 38NV0124

Figure 4-9.—Example of a tristate inverter: A. Logic symbol; B. Truth table.



ETFC0035

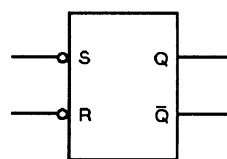
Figure 4-10.—Example of a basic flip-flop.

**FLIP-FLOP CHARACTERISTICS AND TYPES.**— Flip-flops share one characteristic that is consistent with the various types of flip-flops. They have two, and only two, distinct output states. Some basic terms used with flip-flops for the output labels and input labels as follows:

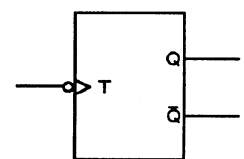
- The output labels are Q and  $\bar{Q}$ , and always complementary to each other. When  $Q = 1$ , then  $\bar{Q} = 0$ ; and vice versa.
- The input labels are R= reset; S = set; T= toggle; CLK = clock; PS = preset; CLR = clear; and J, K, or D = data.

The four types of flip-flops (fig. 4-11) are as follows:

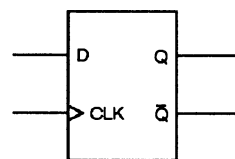
- **R-S (Reset-Set) flip-flop** —Temporarily holds or stores information until it is needed



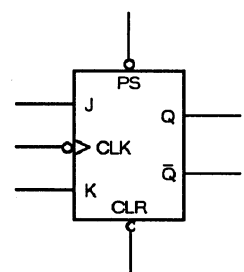
R-S FLIP-FLOP



TOGGLE (T) FLIP-FLOP



D FLIP-FLOP



J-K FLIP-FLOP 38NV0099

Figure 4-11.—Examples of types of flip-flops.

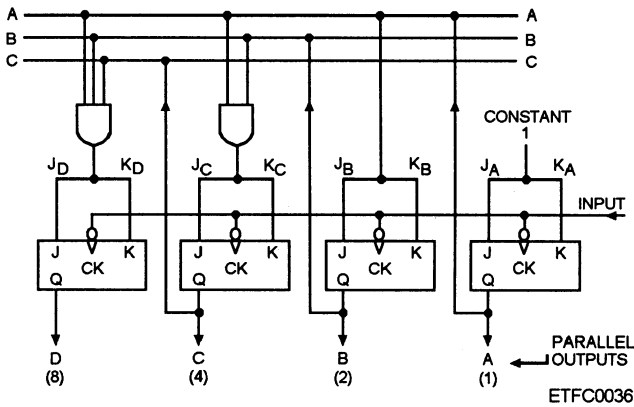


Figure 4-12.—Example of a synchronous operation with a flip-flop.

- T (Toggle) flip-flop —Changes state on command from a common input terminal
- D (Data) flip-flop (latch) —Uses a data input and clock input
- J-K flip-flop —May perform the function of an R-S, T, or D flip-flop (the most versatile)

**FLIP-FLOP OPERATIONS.**— Some of the operations associated with flip-flops are as follows:

- Synchronous operations —This term describes the operation of logic functions that are controlled by the occurrence of a specific timing signal. Usually the timing signal is the computer's timing signal and is commonly referred to as the clock pulse. See figure 4-12.

- Asynchronous operations —This term describes the operation of logic functions that are **not** controlled by the occurrence of a specific timing pulse. Refer to figure 4-13.

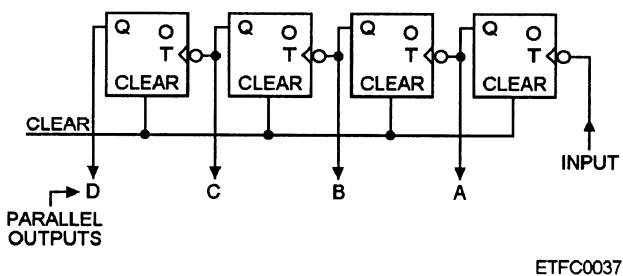


Figure 4-13.—Example of an asynchronous operation with a flip-flop.

- Gated (latched) operations —This term is used when describing logic functions that can be **turned on** or **turned off**, dependent upon an input control signal (command or enable). See figure 4-14.

## FUNCTIONAL USES OF DIGITAL IC'S

We can divide the functional uses of digital ICs into two distinct areas. There are those IC circuits that **make decisions** based on their inputs, and there are IC circuits that **hold the data in memory-type circuits**. They are used together to route the data throughout the computer. Let's begin with the decision-making functions.

### Decision-Making Functions

Decision-making functions consist mainly of combinational gates. For every combination of bits in the various input wires, there is a definite, prearranged combination in the output wires to be decided upon. The output combination is the same every time a particular input combination occurs. Gates are grouped together in various combinations to form the decision-making circuits. Decision-making functions in the computer can be separated into two distinct classes—code converter circuits and data routing circuits.

**CODE CONVERTER CIRCUITS.**— Code converter circuits are capable of **encoding** data to a usable form for the computer and **decoding** the data so it can be displayed or used by a peripheral. An example of encoding and decoding on a microcomputer is given

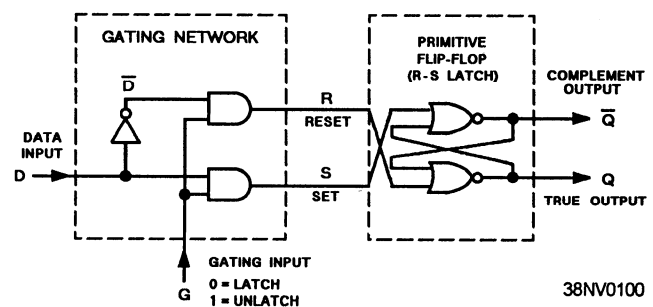


Figure 4-14.—Example of a gated operation.

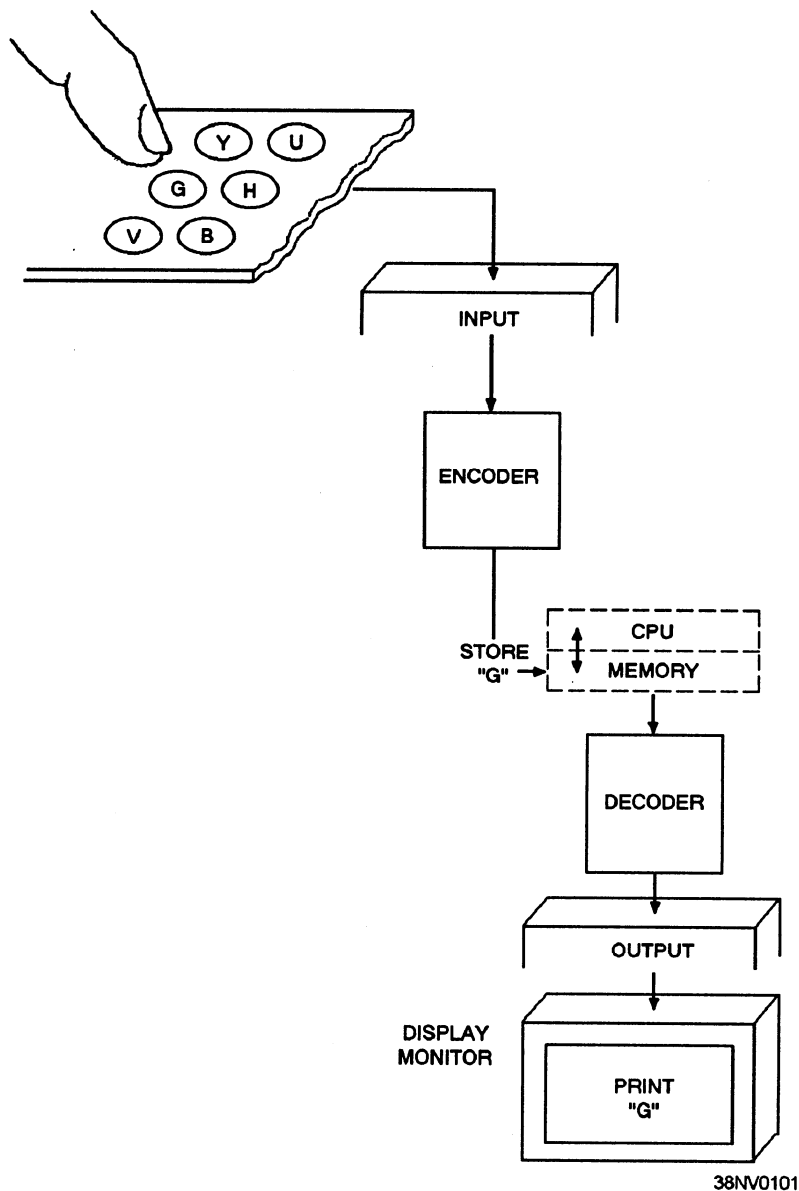


Figure 4-15.—Example of a code converter process to encode and decode data.

in figure 4-15. When you depress the “G” on the keyboard, it is encoded, processed, and decoded so a “G” is displayed on the computer’s monitor.

**DATA ROUTING CIRCUITS.**— Data routing circuits actually route data (the information being processed) inside the computer from various sources to various destinations. Examples in a computer include adders and subtractors, command signals (enables), comparators, demultiplexers, selectors, and translators. A few of the uses areas follows:

- Adder and subtracter circuits —In their simplest form, these circuits are capable of logical (AND, OR, NOT) operations, addition, and subtraction. Multiplication, division, and square root and the more complicated calculations, such as hyperbolic and

trigonometric functions, require additional support circuitry such as shift registers and holding registers.

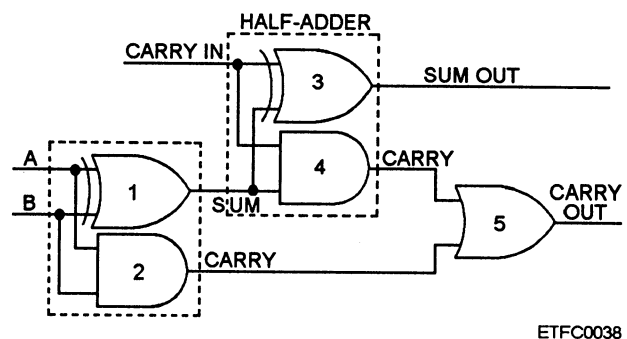


Figure 4-16.—Example of a full-adder circuit.

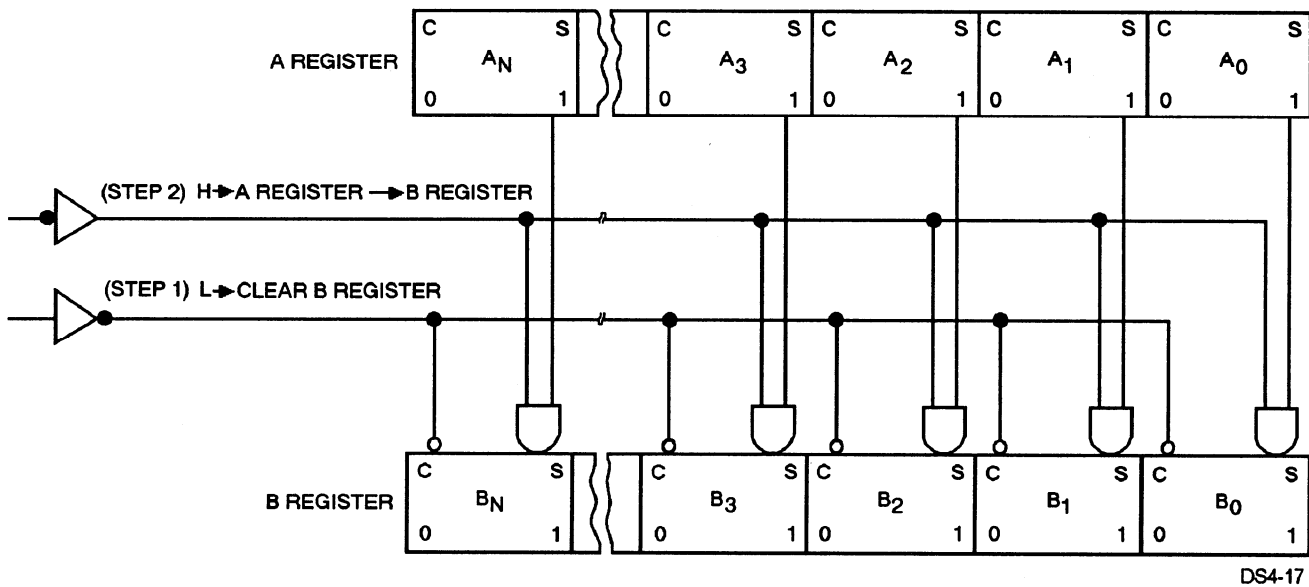


Figure 4-17.—Example of command enable used in a circuit.

Adders and subtracter circuits can be serial or parallel. See figure 4-16 for an example of a full-adder circuit.

- Command signals (enables) —These circuits provide the enable to route information from one destination to another, such as transferring the contents of one register to another. Other examples are to set a condition, start a timing chain, or select an address. See figure 4-17. A closer look indicates that the only time a set side of the B register will be a 1 is when a set side of the A register is set **and** the A register → B register command is enabled (H).

- Comparator —Comparator circuits can be used to compare incoming binary numbers after mathematical operations have been performed on them; for example, to check if two numbers are equal and so on. They can also perform any of several logic gating operations on bits of two binary bits coming in, such as AND and OR operations. In addition, they perform a wider range of comparison operations, such as less-than-or-not and equals-or-not, and these comparisons can be applied to individual **bits** of two input numbers. Figure 4-18 is an example of a comparator circuit (an arithmetic detection circuit).

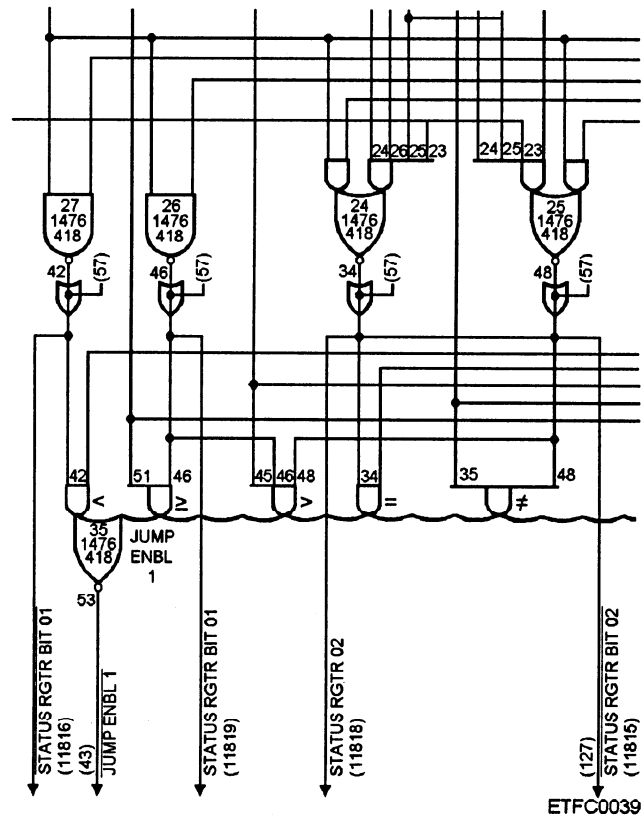


Figure 4-18.—Example of a comparator circuit (an arithmetic detection circuit).

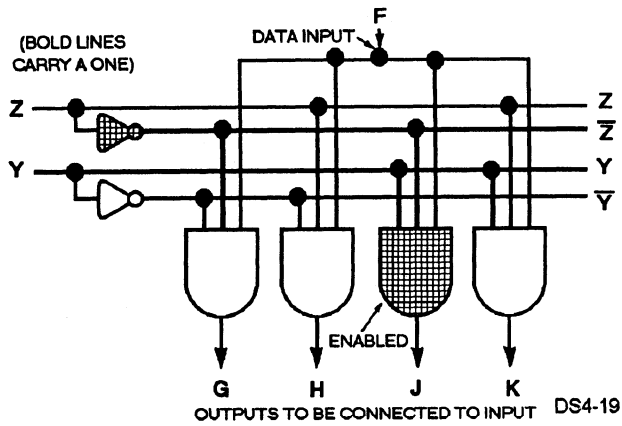


Figure 4-19.—Example of a demultiplexer circuit.

• **Demultiplexer** —A data demultiplexer routes data from one input to any one of several outputs. Refer to figure 4-19.

• **Selectors** —Some registers have no input selection capability and require the selection of source information to be made before actual input gating. They expand the number of input data paths to a register. Refer to figure 4-20.

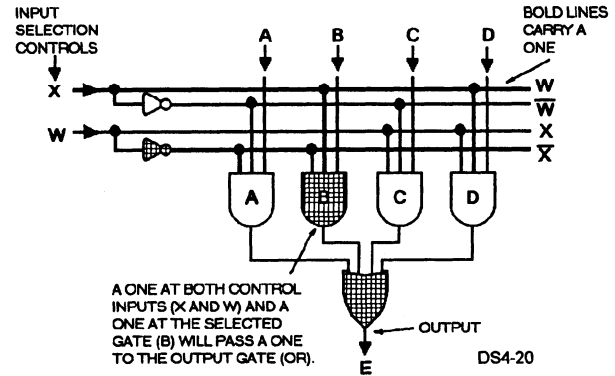


Figure 4-20.—Example of a selector circuit.

• **Translators** —This type of circuitry in a computer can be used to translate bits of data into a code to be used in different parts of the computer. An example is a function code translator used to translate machine octal codes into function codes so the computer can execute instructions. Different parts of a translator provide partial translation to initiate certain preliminary operations connected with instruction execution. Other parts of a translator provide the

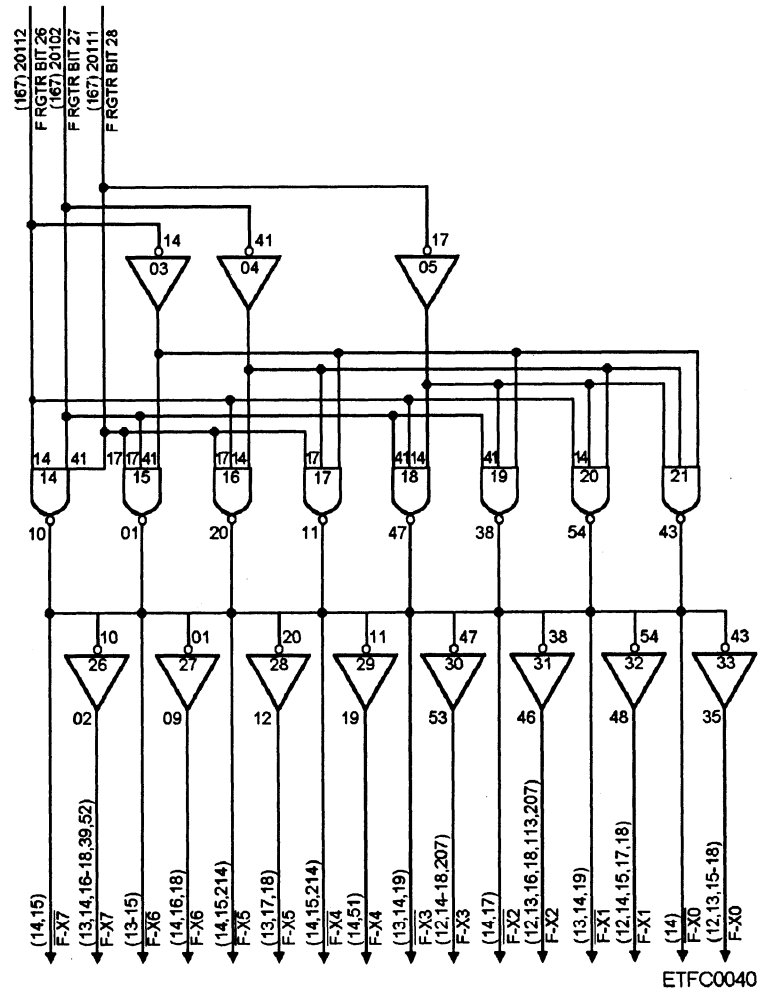


Figure 4-21.—Example of preliminary translator circuitry.



specific code after the code has been through the preliminary circuitry. Figure 4-21 depicts preliminary translator circuitry.

### Memory-Type Functions

Memory-type circuits can store information derived from previous combinations of inputs. So the combination of output bits depends not only on the input signals at the moment, but also on previous combinations of bits. These memory-type circuits are called **sequential circuits**. This is because the outputs depend on a sequence, or chain, of inputs at different times. The sequential logic circuits are made up of combinational gates and are commonly called **flip-flops (FFs)**. They provide the control and timing in the computer. Let's examine FFs and their uses in computers. The types we cover are counters and registers.

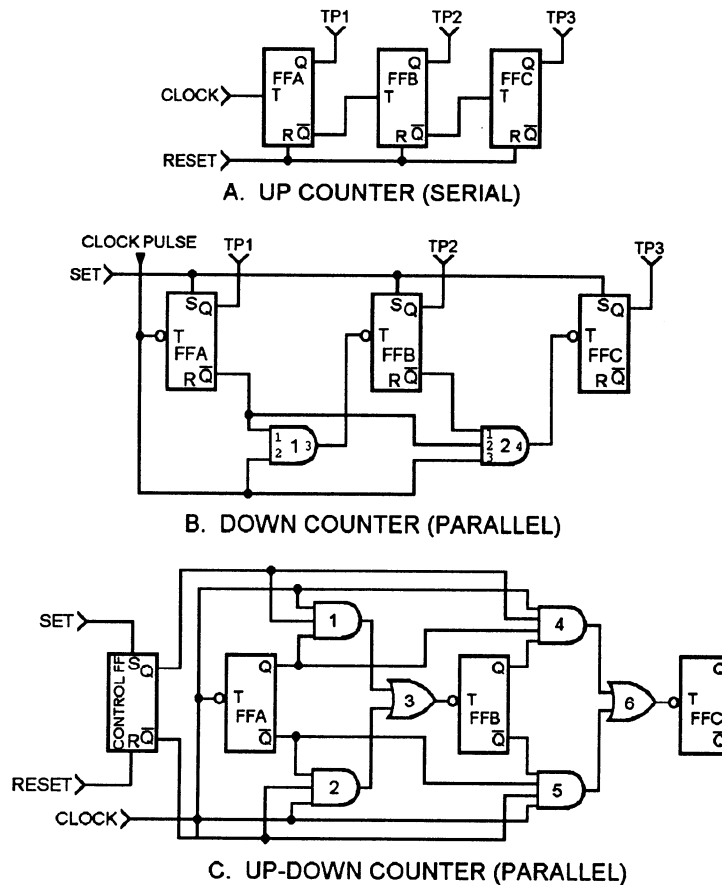
**COUNTERS.**— Counters are classified by function and circuit design. The function classification refers to how the counter works and is usually the same as the counter name. Counters are used to count operations, quantities, and periods of time; or for addressing information in storage. As an example, the program counter keeps track of where the next instruction is located in memory. Another example is a

ring counter, which is used in the computer's timing circuits, where a pulse is output at specific intervals.

The circuit design classification refers to the manner in which the signal being counted affects the flip-flops in the counter. Counters can be designed for serial or parallel operations. If the input signal affects the flip-flops one after another in sequence, it is given the additional classification of asynchronous serial counter. When the signal being counted affects the flip-flops at the same time, it is further classified as a synchronous parallel counter. Whether a counter is asynchronous or synchronous will dictate its use in the circuit.

A counter can be designed to count to any power of 2; or a counter can be designed with a **modulus**. The modulus of a counter is the maximum number of numbers or stable combinations the computer can indicate. You can make a counter with any modulus you need to fit a particular application. For example, a binary counter consisting of five orders or stages will have a modulus of  $100000_2 (32_{10})$  since it has the capability of registering and/or indicating all binary numbers from 00000 through 11111.

The three classes of counters (fig. 4-22) are as follows:



38NV0103

Figure 4-22.—Examples of counters: A. Up counter; B. Down counter; C. Up-down counter.

- Up counter
- Down counter
- Updown counter

**REGISTERS.**— Registers are built simply by combining groups of flip-flops to act as a unit. The length of a register corresponds to the number of bits or flip-flops within this grouping. Three aspects of registers must be considered. A register must be able to:

- Receive information from one or more sources
- Preserve the information without alteration until it is needed
- Deliver the information to one or more destinations when it is required (command or enable)

Registers can represent one bit or more than one bit. Multiple bits can be represented in various sets such as

4, 8, 16, 32, and 64; the maximum is usually the computer's word size. Registers take on different names depending on their functional use in the computer. They are used throughout the computer. You will learn about some of the specific functional names when you study the functional areas of the computer: central processing unit (CPU), memory, and input/output (I/O).

A register has two parts: the **control** and the **actual flip-flops**. The control (enable) portion contains the logic gates (AND, NAND, and the like) and any input signals or control functions that are common to all the flip-flops in the register.

Some registers can be accessed by programmers and/or directly monitored and accessed on some computers by the front panel. The front panel will either have a display of numbers (some converted for an octal, decimal, or hexadecimal display by LEDs). Other front panels simply display the numbers in binary. These binary numbers can be represented in

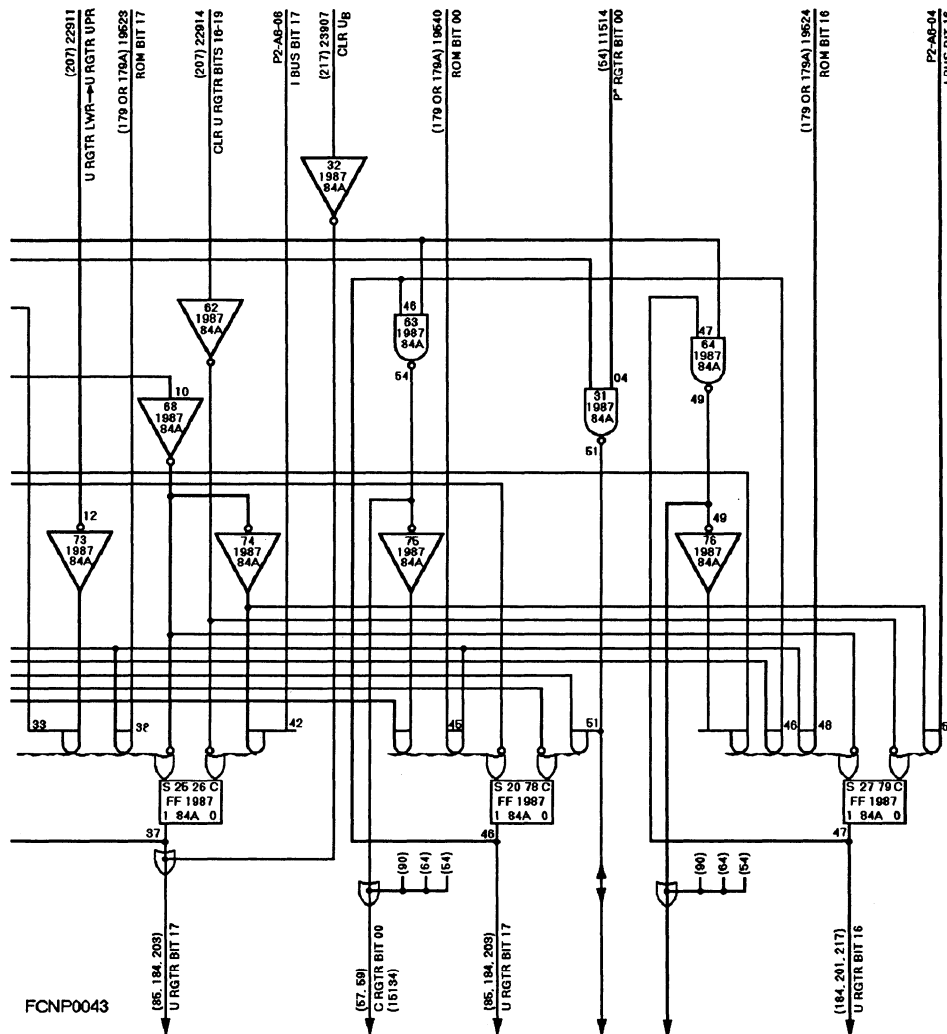


Figure 4-23.—Example of a register.

binary-coded octal (BCO), groups of three LEDs or lamps; binary-coded decimal (BCD), groups of four LEDs or lamps; and binary-coded hexadecimal (BCH), groups of four LEDs or lamps. Through man-machine interfacing, the technician can directly interface with the computer through the direct access of the registers on the computer's front panel.

Let's look at the two types of registers most commonly used throughout the computer—storage and shift registers. Refer to figure 4-23.

**Storage Registers.**—General storage-type registers do not alter the contents; by this we mean, what enters the register is generally the same as what leaves the register and is received by another register.

The transfer of data to and from a storage register is done in parallel; all the data is transferred at the same time. The methods used to transfer data in storage registers are as follows:

- **Single-line parallel transfer (direct method)**—Only 1's or 0's are moved in a bit-for-bit, order-for-order method. The receiving register is cleared of its contents before the transfer occurs. If 1's are transferred, it is referred to as a one-side transfer. If 0's are transferred, it is referred to as a zero-side transfer. See figures 4-24 and 4-25 as examples.

- **Double-line (dual) parallel transfer** (also called forced method)—1's **and** 0's are moved. This transfer is faster than the single-line parallel transfer; however it requires more logic gates. With this method the receiving register is forced to assume the state of corresponding flip-flops of the sending register. This eliminates the need to clear the receiving register's contents before the transfer. Refer to figure 4-26.

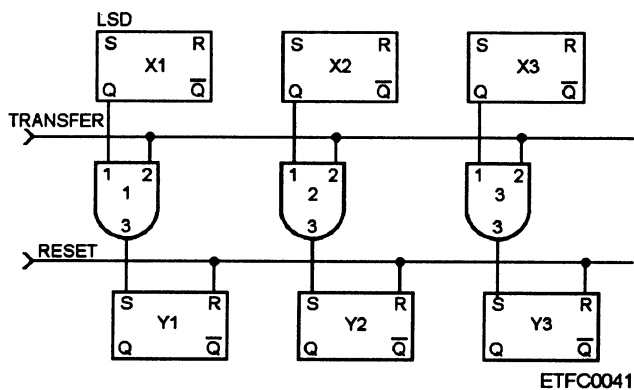


Figure 4-24.—example of a single-line parallel one-side transfer.

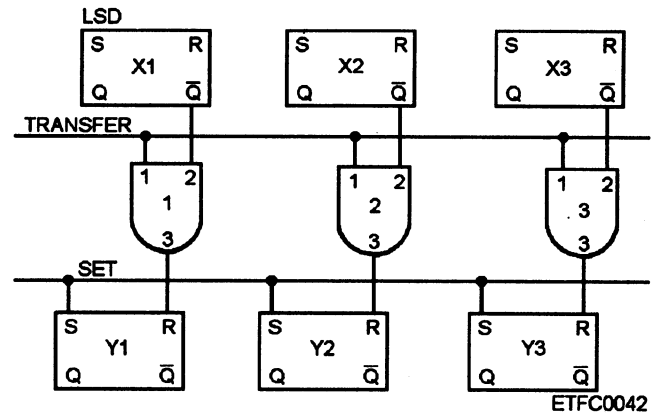


Figure 4-25.—Example of a single-line parallel zero-side transfer.

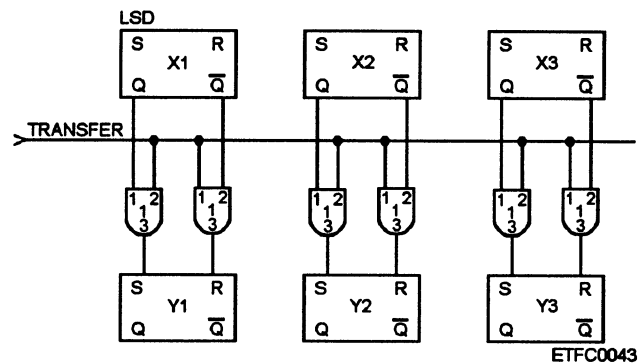


Figure 4-26.—example of a double-line parallel transfer,

- **Complement**—Similar to the single-line parallel transfer except that the receiving register's set side of the flip-flops will receive the clear side of the sending register's flip-flops; thus the data has been complemented after the transfer is complete. Refer to figure 4-27.

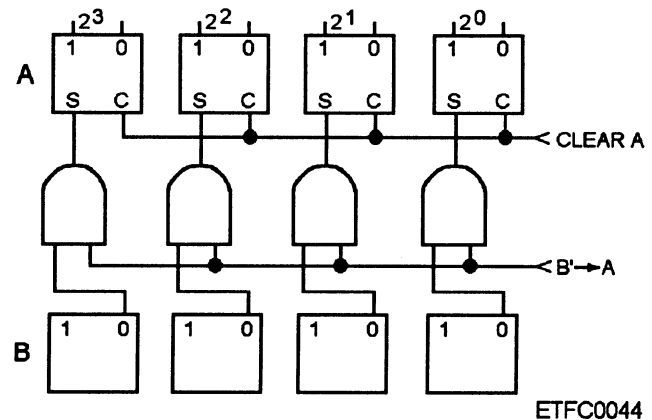


Figure 4-27.—Example of a single-line parallel complement transfer.

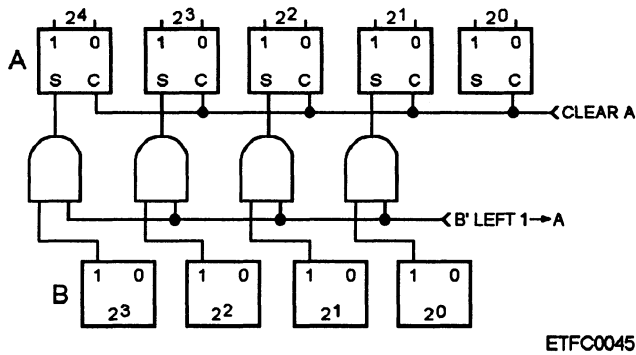


Figure 4-28.—Example of a single-line parallel displaced transfer.

• **Displaced** —Displaced is also similar to the single-line parallel transfer except the set side outputs of the sending register are gated to the set side inputs of the receiving register one or more orders to the right or left. Refer to figure 4-28 as an example of a displaced transfer.

**Shift Registers.**—A shift register has the ability to store information the same as the storage register; however it is designed to do more than just store information. A shift register is even more versatile than a storage register. The shift register is capable of receiving, rearranging, and retaining binary data that can be extracted for later use in the computer. It can receive information either in serial or parallel form, and information may be extracted in either serial or parallel form. When the information is extracted in serial form, it may be shifted to the right or left. The shifting is useful in many operations, such as multiplication, division, comparing binary bits, and sequencing a series of events. Remember, shift registers handle both serial and parallel information. Specifically, information can be moved in the following ways:

- Serial in-serial out **right** shift
- Serial in-parallel out **left** shift
- Parallel in-serial out **left** shift
- Parallel in-serial out **right** shift

Figure 4-29 shows an example of a serial in-serial out right Shift.

## TOPIC 5—LINEAR IC'S

Linear circuits are amplifying-type circuits in integrated form. The term *linear* is simply another way

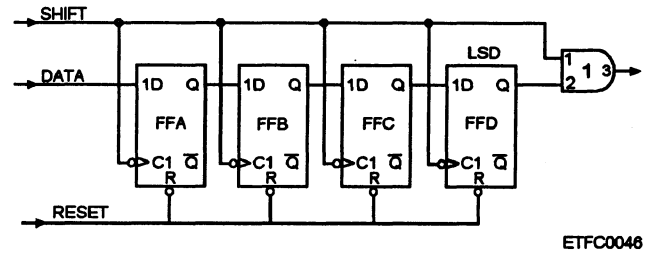


Figure 4-29.—Example of a serial in-serial out right shift register.

of expressing the concept of **regulating** as opposed to **switching**, found in digital ICs. The output of a linear circuit changes in a smooth, even manner as the input is changed at a constant rate, so that a graph of output versus input is approximately a straight line; hence, the name *linear*. In contrast, the output of digital ICs jumps suddenly from one level to another.

## LINEAR IC FAMILY TYPES

Linear ICs use **bipolar** and/or **MOS** technology. Among the different types of linear ICs you may encounter are the following:

- Bipolar
- BIFET—A combination of bipolar and junction field-effect transistor (JFET) technology

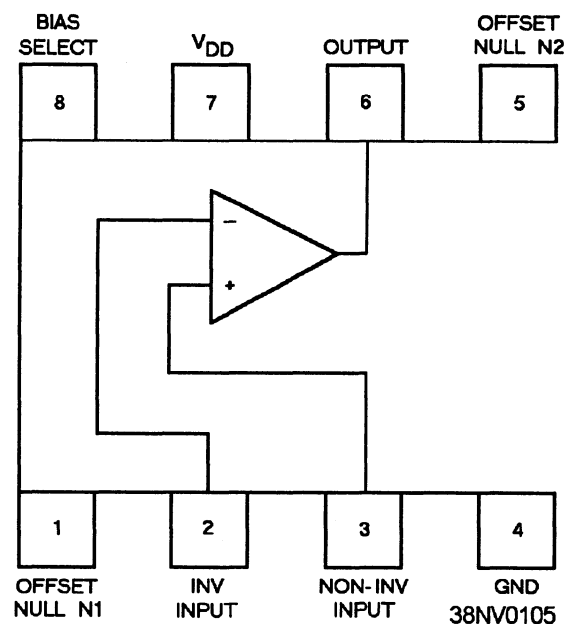


Figure 4-30.—Example of a Lin CMOS—Silicon gate MOSFET.

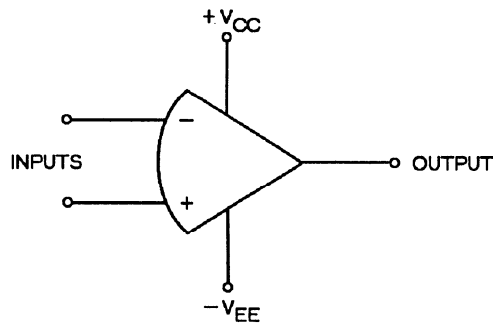
- BIDFET—High voltage bipolar field-effect transistor; MOS technology added to the BIFET approach
- N-FET-MOSFET N-channel FETs
- BIDMOS—Diffused metal-oxide semiconductor (DMOS) and bipolar technology
- Lin CMOS—Silicon gate MOSFETs
- Lin CMOS allows for linear and digital logic on the same IC. See figure 4-30.

## LINEAR IC GATES

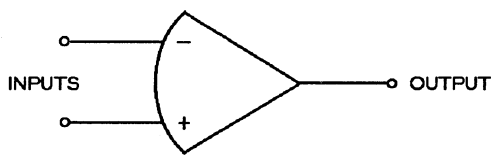
The basic gate for a linear IC is an operational amplifier (op amp). Its basic function is to **increase** the power, current, or voltage applied to its inputs. It is the basis for other amplifiers used in linear ICs. Atypical op amp has three basic characteristics as follows:

- Very high gain
- High input impedance
- Low output impedance

A typical op amp has two inputs called the inverting input (–) and the non inverting input (+). The inverting input provides a 180-degree phase shift at the output. The noninverting input is in phase with the output. Two power-supply terminals are provided. They are usually called  $V_{cc}$  (the collector terminal) and  $V_{ee}$  (the emitter terminal). This arrangement enables



A. WITH POWER SUPPLY REQUIREMENTS  
38NV0106



B. WITH ONLY INPUT AND OUTPUT TERMINALS

Figure 4-31.—Example of an op amp: A. Shows power supply requirements; B. Shows only input and output terminals.

the op amp to produce either a positive or negative output. The schematic symbols for an op amp are shown in figure 4-31. View A shows the power supply requirements, while view B shows only the input and output terminals. An op amp can have either a close-looped operation or an open-looped operation depending on its application. Refer to figure 4-32 for an example of a closed-loop op amp.

## LINEAR IC GROUPS

The linear ICs contained in a computer can be classified into four groups: analog signal conversion circuits, regulator integrated circuits, driver integrated circuits, and line driver and receiver integrated circuits. The operational amplifier is the key building block in all of these linear ICs because of its ability to amplify without the need for inductors or transformers. Basic variations of the operational amplifier are included in the classification of the four groups of linear circuits.

### Analog Signal Conversion Circuits

Analog signal conversion circuits convert an electrical or non-electrical variable to digital. These linear circuits include analog-to-digital (A/D) converters, comparators, memory drivers, sense amplifiers, and timers.

### Regulator Integrated Circuits

Regulator integrated circuits provide a constant voltage or current supply. They can accomplish this from a constant or variable power source. Regulator integrated circuits include voltage regulators and switching regulators.

### Driver Integrated Circuits

Driver integrated circuits generate large voltage or current output digital signals from small voltage and

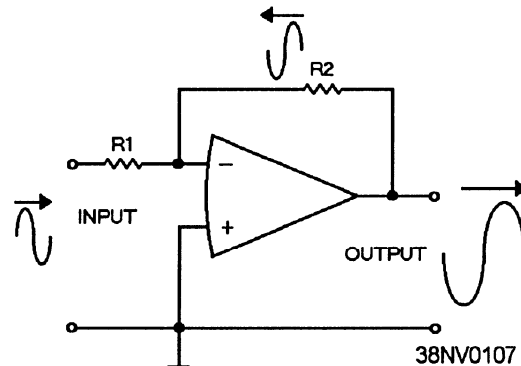


Figure 4-32.—Example of a closed-loop op amp.

current bipolar or MOS digital signals. Driver integrated circuits include peripheral and display drivers used inside an equipment.

### Line Driver and Receiver Integrated Circuits

Line driver and receiver integrated circuits are used to transmit digital information from one subsystem or system to another. A line driver is used at the transmitting end and a matching line receivers required at the receiving end. Line drivers and receivers provide a reliable transfer over short and long distances for the high-speed digital signals, which are degraded by noise and attenuation (especially over long distances). They accomplish this by the line driver converting the input digital signals to current pulses in the transmission line (cable). During the course of travel, the current pulses produce very low voltages at the receiver. The receiver detects the signals using high gain and a very low threshold.

### FUNCTIONAL USES OF LINEAR IC'S

The functions of linear circuits can be classified into three groups: general linear circuits, systems interface circuits, and consumer-and-communications circuits. The first two types, general linear circuit and system interface circuit functions, are used in the architecture of computers.

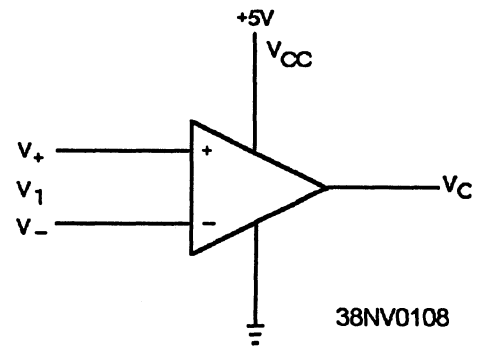


Figure 4-33.—Example of a comparator symbol.

### General Linear Circuits

General linear circuits perform the amplifying functions inside the computer. They are used for a variety of functions in the computer's memory, I/O, and power supply. Some of the functions are analog-to-digital converters, comparators, voltage regulators, switching regulators, and timers.

**ANALOG-TO-DIGITAL (A/D) CONVERTERS.**— These circuits are used to input analog data to digital data so the data can be processed by the computer's digital logic circuits.

**COMPARATORS, VOLTAGE REGULATORS, AND SWITCHING REGULATORS.**— These circuits are used in power supplies to regulate output power and to detect abnormal input power

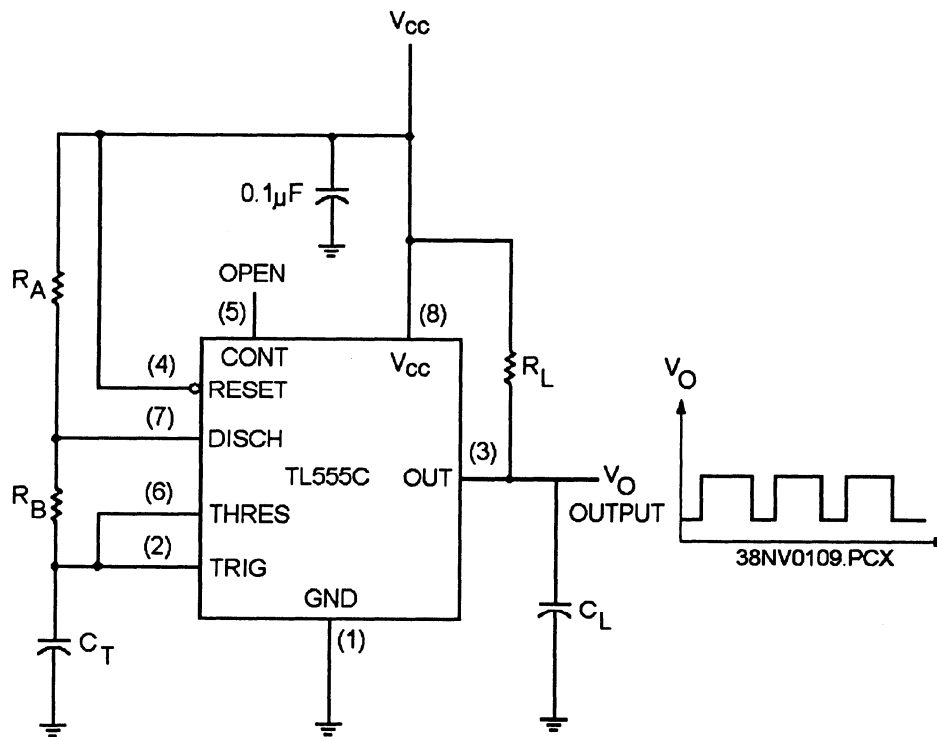


Figure 4-34.—Example of a timer circuit for astable operation.

variations and overtemperature conditions. Protection circuitry to shut down the computer set before component damage occurs is also included. Figure 4-33 shows an example of a comparator symbol.

**TIMERS.**— Timers use a basic comparator circuit to drive a flip-flop. They can be used to produce a circuit known as an astable multivibrator, which is used to generate digital pulses of known widths and to provide known time delays in digital circuits. These timer circuits are used in the computer's timing and control section. See figure 4-34.

### Systems Interface Circuits

Systems interface circuits amplify data signals entering or leaving the computer. They act as a go between, or **interface** that allows the various functional areas or subsystems of a computer system to be coupled together. The systems interface circuits of a computer can be classified into the following areas: memory drivers and sense amplifiers; peripheral and display drivers; and line drivers and receivers.

**MEMORY DRIVERS AND SENSE AMPLIFIERS (DC AMPLIFIERS).**— These circuits serve as writing and reading units for magnetic memories. Specifically they perform the following:

- **Memory drivers** —The memory drivers **write** information into magnetic memories.
- **Sense amplifiers** —The sense amplifiers get the data out. They sense when a core flips from a 0 to a 1 or vice versa. This reduces the chances of interference from stray signal sources.

**PERIPHERAL AND DISPLAY DRIVERS.**— These drivers are similar to memory and line drivers. They drive digital information in computer, peripheral, and display equipment. They do this by receiving a small voltage and current digital signal(s) from bipolar, MOS, or CMOS logic gate output and generating large voltage or current output digital signal(s). Specifically these circuits perform the following:

- **Peripheral drivers** —Peripheral drivers receive an input from bipolar or MOS logic gate output and drive the output stage so that relatively large output currents can be controlled with low-level logic signals. Peripheral drivers use a single input and output application. They are very useful for driving indicator lamps or drive relays. See figure 4-35.
- **Display drivers** —Display drivers use a multiple input and output application. Three types of displays

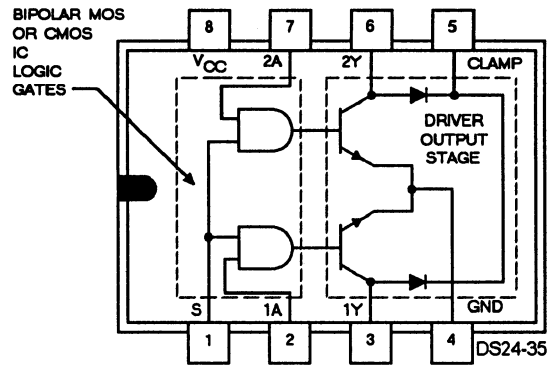


Figure 4-35.—Example of a peripheral driver IC.

have drive requirements; they are the **ac plasma** display, the **electroluminescent (EL)** display, and the **vacuum fluorescent (VF)** display. Each of the three display drivers requires high voltages but each has unique voltage and current requirements.

**LINE DRIVERS AND RECEIVERS.** — Line drivers and receivers are used in the transmission of digital signals over both long and short distances. Line drivers are used at the sending end and line receivers are used at the receiving end. They are used in serial and parallel applications for sending and receiving data in I/O operations of the computer. There are two types of line drivers and receivers as follows:

- **Single-ended line drivers and receivers** — Single-ended line drivers and receivers (fig. 4-36) are used for short distances. They have a single input and output at both the transmitting and receiving end. They are usually wire cables, possibly with an outer shield connected to ground. They are used for local transmission to external equipments (including computers) and for remote communications with modems.

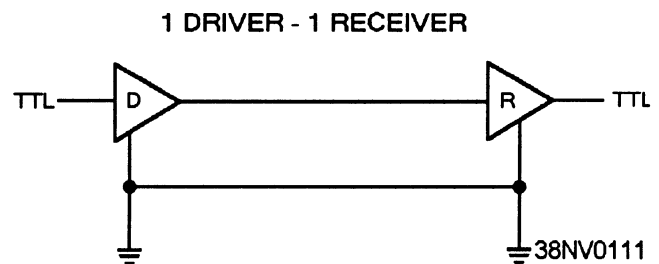


Figure 4-36.—Example of a single-ended line driver and receiver.

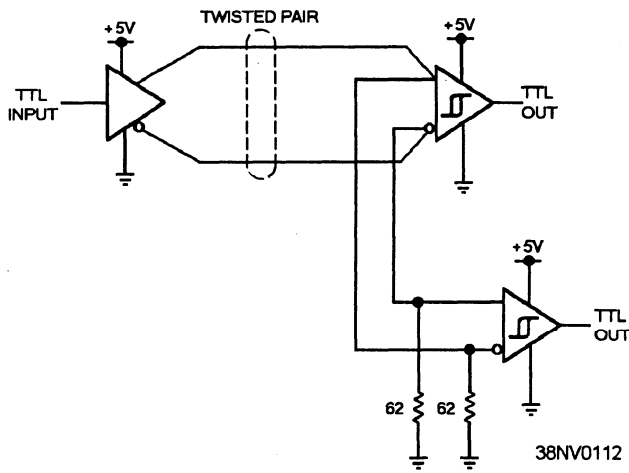


Figure 4-37.—Example of differential point-to-point line drivers and receivers connected in parallel.

• Differential drivers and receivers —Differential drivers and receivers are used over long distances for high-speed communications. They are usually twisted pairs of wires or coaxial cables. Differential types can be point-to-point (fig. 4-37) or multiple source and destination (fig. 4-38).

Single-ended and differential line drivers and receivers are commonly used by some of the following interfaces:

- NTDS Input/Output (MIL-STD 1397)
- RS-232 (EIA RS-232)
- RS-422 (EIA RS-422)
- RS-449 (EIA RS-449)

Line drivers **drive** digital information over both long and short distances to other equipments in a computer system. Line drivers do this by generating large voltage or current output digital signals from small voltage and current TTL or MOS digital signals to travel over transmission lines.

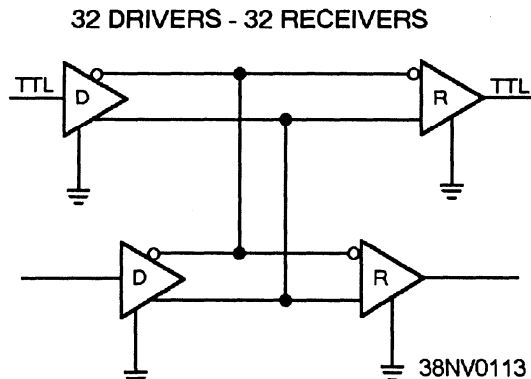


Figure 4-38.—Example of differential multiple source and destination line drivers and receivers.

Line receivers **receive** digital information from both long and short distances from other equipments in a computer system. By the time the data reaches the line receiver from a line driver, the voltages are very low. The receiver operates with a very low threshold to detect these signals. Line receivers are usually used for long distances for parallel transmission.

## TOPIC 6—TIMING CIRCUITS

Control and timing circuits comprise a very important area of a computer. A computer's operations rely on commands/instructions being controlled (enabled and disabled) at specific times. Timing circuits are used to ensure the proper timing of enables and disables throughout the computer. Timing pulses are used to enable and disable specific circuits. This permits specific operations to begin and others to be ended. The return of these pulses a short time later could cause an enabled circuit to be disabled and another circuit to be enabled. In this way, operations previously begun are ended and anew set of operations is started.

When a program is installed and operating, circuits are enabled and disabled through a sequential process that continues until one of the following events occurs:

- The program is completed
- A programmed stop is reached
- A fault condition occurs

A pulse generator of a type determined by computer design provides the main timing signals for any given type of computer. These pulse generators are commonly termed master clocks or reference generators. They usually operate at a frequency or pulse repetition rate determined by the maximum rate at which the computer handles data. The **master clock** is the key to the timing circuits in the computer. It will set in motion the computer's main timing circuits. From the main timing circuits, other timing circuits for the various other areas (arithmetic, memory, and I/O) can be enabled or disabled. The clock will produce electrical pulses with extreme regularity. The speed of the computer's clock is determined by an oscillator.

## TIMING CIRCUIT COMPONENTS

Timing circuit components consist of wave generators and wave shapers. In computers, waveforms must be turned on and off for specific lengths of time. The time intervals vary from tenths of microseconds to several thousand microseconds. Square and



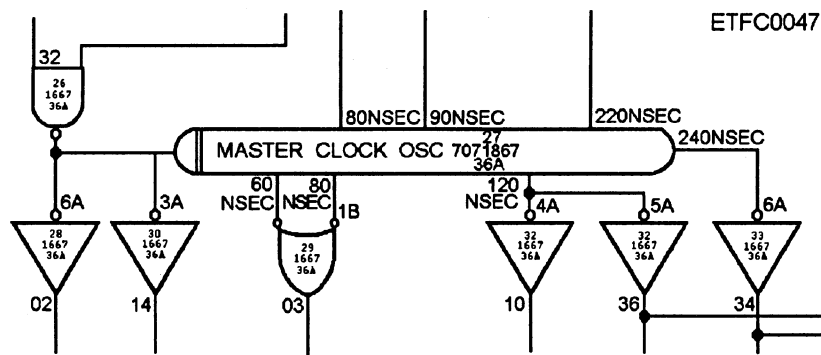


Figure 4-39.—Example of a delay line oscillator.

rectangular waveforms are normally used to turn such circuits on and off because the sharp leading and trailing edges make them ideal for timing purposes. The components used to accomplish this depend on the complexity of the computer. The components you will most frequently encounter in timing circuits are oscillators and multivibrators.

### Oscillators

Oscillators are used in computer timing circuits for their output and frequency stability characteristics. The more important quality of the two for use in computers is their frequency stability. The speed of a clock is determined by the oscillator using a resistance-capacitance (RC) or inductance-capacitance (LC) network and/or crystal combination. An oscillator can use bipolar or MOS technology. Crystal-controlled oscillators are used in computers because they are stable even at extremely high frequencies. Master clocks in computers often use an oscillator with a delay line to deliver the basic clock phase and any additional clock phases. See figure 4-39.

### Multivibrators

Three types of multivibrators are used in timing circuits. They are astable (free running), bistable (flip-flop), and monostable (one-shot) multivibrators. We have already discussed bistable flip-flops and their uses in a computer. How they are used will depend on the technology of the computer. Generally speaking, when used for timing circuits, we can say:

- Astable (free running) multivibrators provide the voltage pulse to trigger a one-shot multivibrator.
- Monostable (one-shot) multivibrators shape the pulse to be used to enable and disable circuits, logic gates, and special registers. They can be used in single- or multiple-phase systems.
- Bistable (flip-flops) multivibrators are used as a special register to count clock pulses from a one-shot multivibrator or an oscillator.

## TIMING CIRCUIT FUNCTIONS

The uses of astable and monostable multivibrators depend on the complexity of the computer. The multivibrator can be used to provide the pulse and/or pulse shaper. Let's discuss their two types of uses. They are single-phase clock systems and multiple-phase clock systems.

**SINGLE-PHASE CLOCK SYSTEMS.**— A single-phase clock system consists of a free running multivibrator and a single-shot multivibrator. A free running multivibrator provides the pulse and the single-shot multivibrator shapes the pulse. An oscillator could also be used to provide the trigger pulse for a single-shot multivibrator. The pulse is the output of the pulse shaper, which is then used to enable and disable circuits in whatever sequence is necessary to properly execute the computer program. Refer to figure 4-40 for a simple diagram (block and timing) of a single-phase clock system.

**MULTIPLE-PHASE CLOCK SYSTEMS.**— A multiple-phase clock system on the other hand provides multiple pulses that can be used to alternately enable and disable circuits. This permits functions involving more than one operation to be completed during a given clock cycle, or a given operation to be extended over more than one clock cycle. A multiple phase clock system can consist of an oscillator or free running flip-flop, and single-shot multivibrator combination, or a delay line oscillator and flip-flop combination. Remember a crystal-controlled oscillator will provide better

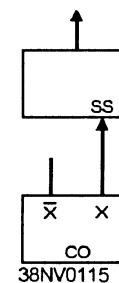


Figure 4-40.—Example of a single-phase clock system.

frequency stability. Figure 4-41 is an example of a timing circuit (block and timing diagram) using an oscillator and flip-flop combination. Notice how with the use of a ring counter (flip-flops), we can generate additional phases that can be used for more complex functions involving multiple operations.

**CAUTION**

**REMEMBER, COMPUTER CIRCUITS CONTAIN ESDS DEVICES. ONLY PERSONNEL WITH ESDS TRAINING SHOULD HANDLE ESDS DEVICES!**

**TOPIC 7—COMPUTER DATA TYPES AND FORMATS**

Different types or kinds of data can be processed by a computer. The types are as follows:

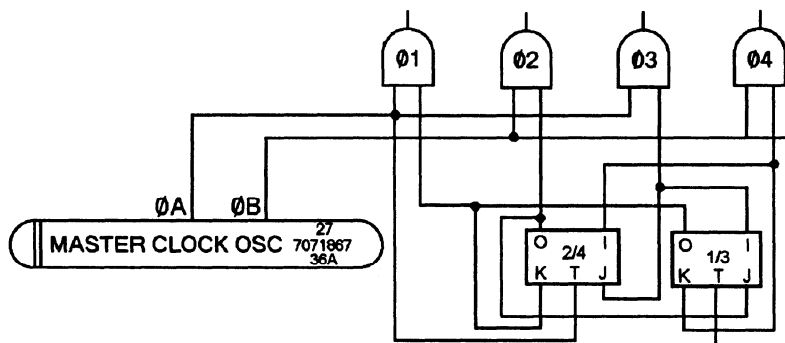
- **Bit** —The smallest data element or operand is the bit. Individual bits are used primarily in status indicating and flag registers. The two possible states (0 or 1) indicate either ON/OFF, TRUE/FALSE, or other two-state conditions.

Depending on the type of computer, single bits in a memory word can be addressable by a single instruction. Larger computers and some of the newer microcomputers have this capability. Most mainframe computers and some newer microprocessors have machine instructions that allow for single-bit operations (set, clear, or test). If a processor cannot address a single bit, there are software algorithms (small programs) that can combine a number of microinstruction to perform single bit operations.

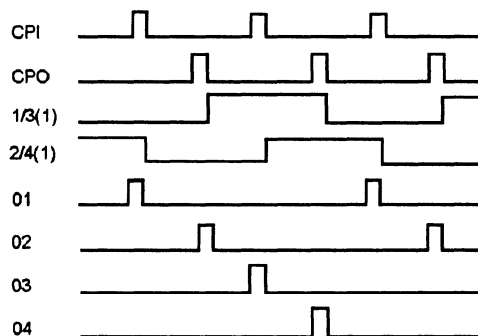
- **Nibble** —The next larger data element or operand is the nibble. A nibble is a 4-bit grouping or half-byte of data. Nibbles are used to store a single binary coded decimal (BCD) digit.

- **Byte** —Probably the most commonly accessed data element is the 8-bit byte. Microcomputer memories can use a single byte, two bytes, or more. Bytes form the basis for operand operations. In addition, each 8-bit byte can store a single alphanumeric character in American National Standard Code for Information Interchange (ASCII) format or another coding system. It can also hold a binary number equivalent to  $255_{10}$ .

- **Word** —For computers with 16-bit or larger computer words, there are two more data elements. The



A. BLOCK DIAGRAM



B. TIMING DIAGRAM

38NV0116

Figure 4-41.—Example of an oscillator and flip-flop combination: A. Block diagram; B. Timing diagram.

first of these is the word or **single word**. A word contains exactly the same number of bits as the computer's registers (16, 30, 32, or 64 bits). In 16-bit microprocessors with 8-bit memory words, a 16-bit word is assembled from two bytes of memory (fig. 4-42). The word forms the basis for most operand/data operations in 16-bit and larger word size computers.

• **Double word** —Large numbers are often a problem in digital computers. There are a number of mathematical operations in which the size of the result would be greater than the length of either of the two registers used to provide inputs to the arithmetic logic unit (ALU) or the operands being input to the ALU are larger than a single word. For these situations, double length memory words or double words are often used in computers. A double word is an addressable data element that can be stored in memory (two sequential memory words), or loaded into registers (two sequential registers), and used as an operand for mathematical operations dealing with extremely large numeric values.

## TOPIC 8—POWER SUPPLIES

All digital computers have an internal power supply. The power supply in the computer **does not** supply power. It receives ac voltage from a source and **converts** it into useable dc voltage(s). Most computers require multiple dc voltages and levels. The dc is then distributed to where it is needed. The power supply in a computer is a **switching** power supply. This means the power supply can handle quite a range of power supply irregularities with minimal difficulties. It is designed to provide precision voltages, sense irregularities (input and output), and protect the computer from serious damage. Let's see how the

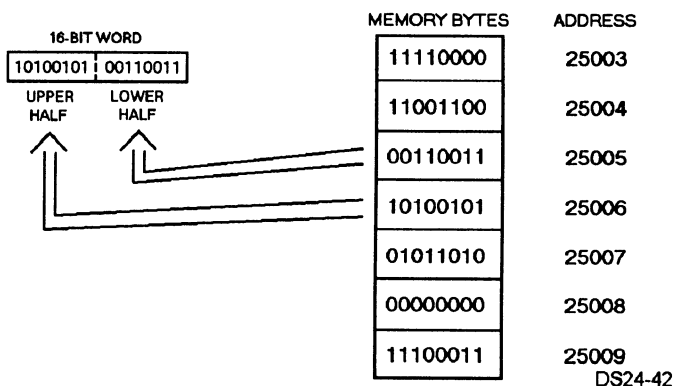


Figure 4-42.—Assembling a 16-bit word from two bytes.

computer's power supply accomplishes this; we begin with the operations.

The basic operation of any computer's power supply is accomplished by four basic sections: a **transformer**, a **rectifier**, a **filter**, and a **regulator**. How each computer performs this operation depends on the computer's requirements. Figure 4-43 is a block diagram of a basic power supply. Because of their general makeup, digital computers use power supplies and, in some cases, external devices that allow the power supply to provide precision voltage and **internal** protection. The four basic sections of a power supply make up the foundation used to provide additional circuitry. The computer will receive the precision voltage and protection. For a detailed description of power supply operations in general, consult NEETS, Module 7, *Introduction to Solid-State Devices and Power Supplies*. For a detailed description of your computer's power supply, consult its technical manual.

## INPUT

The computer can handle a range of input voltages and frequencies. The computers aboard ship receive their power from a main switch board via a load center(s), a power panel(s), and outlets.

## WARNING

**SHIPS USE AN UNGROUNDED ELECTRICAL DISTRIBUTION SYSTEM; THEY ARE DEADLY. BE SAFE, KNOW YOUR SOURCE OF POWER.**

Computers ashore receive power from a centralized source, and the power is distributed via power panels and outlets. The different ranges depend on the type of computer and/or where the computer is used. These inputs include:

- 440 vac, 60 Hz, 3 phase A
- 115 vac, 60 Hz, 1 phase A
- 115 vac, 60 Hz, 3 phase A

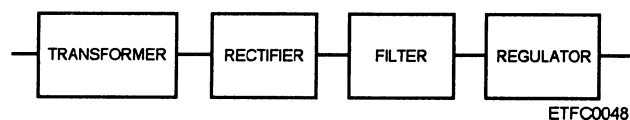


Figure 4-43.—Block diagram of a basic power supply.

- 115 vac, 400 Hz, 3 phase Δ
- 220 vac, 60 Hz, 3 phase Δ
- 115/200 vac, 400 Hz, 4 phase Y
- 230 vac, 50 Hz, 3 phase Δ

Mainframe and minicomputers aboard ship and ashore are preset to receive a specific line voltage. Microcomputers aboard ship use 115 vac, 60 Hz, 3 phase Δ. Microcomputers ashore generally use 115 vac, 60 Hz, 1 phase Δ. However, they have a line select switch located on the back of the micro's chassis to select an alternate line voltage, if needed ashore. In some cases a microcomputer is equipped with a feature that automatically switches over to alternate 220 vac, 50 Hz power. Your ship's electronics doctrine or equivalent document ashore provides the specific voltage and frequency values, as well as the location of power. For reference when dealing with input power, refer to MIL-STD-1399, Section 300A, *Interface Standard for Shipboard Systems, Electrical Power, Alternating Current for Shipboard*, and MIL-HDBK-411, *Power and the Environment for Sensitive DOD Electronic Equipment, Volume I (General), and Volume II (Power)*, for ashore.

## COMPUTER POWER SUPPLY CONTROLLING DEVICES

Before the input line voltage goes to the transformer section of the primary power supply, it must first go to the computer's man/machine interface, a controlling device. This controls the power supply of the computer, and will vary with the type of computer. Some have an ON/OFF switch at the rear of a computer where blower/fan power and logic power are controlled by one switch. Others have an operator's panel where you can control blower power and logic power separately. Still others have a separate unit where the power is controlled to every major unit in the computer including blower power and the modules in each of the functional areas. You should be thoroughly familiar with the power up and down procedures for your computer. Consult your computer's owner/technical manual and/or electronics doctrine or equivalent.

## COMPUTER POWER SUPPLY COMPONENTS

Computer power components include a transformer, a rectifier, a filter, and a regulator.

## Transformer

The transformer receives the line voltage from the computer's power controls. This input line voltage is stepped up or stepped down. The transformer isolates the power supply from the input line voltage. Most computers use some means of sampling the input power and/or provide protection before the line voltage is received by the transformer section. Examples are as follows:

- AC line filters —AC line filters eliminate high frequency noise from the input power. They also filter returns from the regulator section.
- Circuit breakers —Circuit breakers protect the transformer when an overcurrent or power fault condition occurs.

## Rectifier

The rectifier section converts the ac input signal to a pulsating dc voltage or ripple. This pulsating voltage is not desirable and must be **filtered**. In some computers, this section provides the power necessary for the following:

- System and calendar clock for the computer set
- Display control unit (DCU) interface and power panel control
- Termination resistors for the bus system

## Filter

The filter section removes the ripple sent from the rectifier section and produces it into a use able dc voltage. There will still be a small amount of ac ripple on the filtered dc voltage.

## Regulator

The final section, the regulator, maintains the output of the power supply at a constant level in spite of large changes in load current or input line voltages. For microcomputers, this is the final section before the power is distributed throughout the computer. For larger computers, the regulator section can provide regulated power to additional circuits where it is further filtered and/or converted. Converters include the following types:

- Regulating converters —Regulating converters provide dc power to the backplane wire harness, and to remote, operator, and maintenance consoles
- Module DC-to-DC converters —Module de-to-de converters provide the required dc

power to the CPU, IOA, IOC, and memory modules

- Secondary power converters —Secondary power converters provide the required de power to the CPU, IOA, IOC, memories, remote operator unit, and display operator unit

## OUTPUT

As stated, the rectifier (in some cases) and the regulators distribute the required power throughout the computer. The outputs are used for the following:

- Logic circuits (includes computer's master clock)
- System buses
- Indicators and switches
- Fans (micros)
- Peripherals (micros)

The logic convention and voltage levels vary for each computer type. Consult your owner/technical manual; this is very important when performing maintenance.

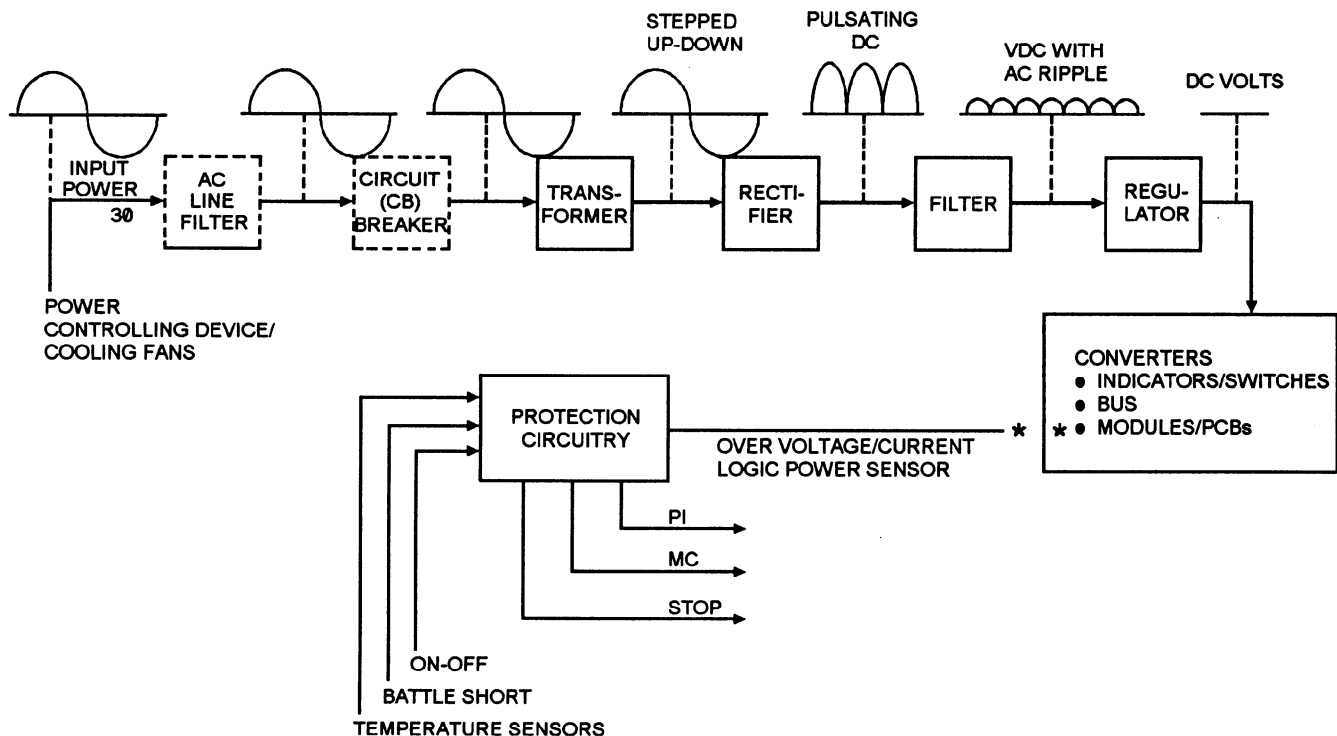
## COMPUTER POWER SUPPLY PROTECTION

The computer's power supply must protect the computer from the incoming power, the distributed power, and/or the temperature inside the computer's cabinet and/or module(s). Computer protection is the one area where there is a distinct difference between mainframe/minicomputers and microcomputers. We provide general block diagrams to illustrate our point.

### Mainframe/Minicomputers

Mainframe and minicomputers are generally equipped with circuitry that will sense the incoming power and monitor power while the computer is up and operating. The incoming power must reach a certain level before the power controlling device will allow you to apply power to the computer and light the appropriate indicators on the power controlling device. The minimum voltage level will vary; consult your computer's technical manual. The regulators of a power supply will generally shut off the computer in the event of uncorrectable power variations.

Figure 4-44 is a basic block diagram that illustrates a power supply for mainframes and minicomputers.



ETFC0049

Figure 4-44.—Basic block diagram to illustrate a power supply for mainframes/minicomputers.

A power supply will generally shut off while the computer is running under the following conditions:

- **Overtemperature condition** (Two overtemperature conditions can occur. A **low** overtemperature condition provides a visual and/or audio warning that can be overridden with **battle short switch**. A **high** overtemperature condition will shut off the power supply.)
- **Overvoltage or overcurrent condition**

Let's discuss three signals—power interrupt, master clear, and stop. These are the signals a computer can use to provide protection. These signals or their equivalents are used in some computers that also have a pcb dedicated to monitoring power. They monitor ac line voltage to generate signals that allow orderly power start-up and power shutdown sequences. These signals can also be used to provide recoverability.

**POWER INTERRUPT (PI).**— A PI is generated from the following conditions:

- Source power falls below specifications and returns to normal
- Source power is lost
- Computer set or cabinet is shutoff

A PI will generate a class I power interrupt; this is the highest priority of any CPU interrupt and cannot be locked out except by certain instructions. It alerts the software to a potential power loss. Logic power will remain to parts of the computer for an established time period to allow the software to prepare for the potential power loss. The class I interrupt will give control of the CPU to a subroutine in memory. The subroutine will store certain CPU registers and control memory necessary for program restart. This allows the software to reestablish the conditions that existed before the PI occurred.

**MASTER CLEAR (MC), AUTOMATIC.**— An automatic master clear signal is generated a specific period after a PI occurs when the logic power falls out of tolerance and when power is lost or the computer set or cabinet is shut off. The MC signal is sent to all parts of the computer and will result in master clearing the CPU, I/O (including disabling acknowledgements in I/O, and main memory). The purpose of the MC signal is for a computer initialization after power has been applied. When the computer power comes to within specifications, the MC will be released and control will go to the auto-restart program if AUTO-START is

selected on a controlling panel. Otherwise the computer will be stopped in a cleared condition.

**STOP.**— A stop signal is generated when the logic power goes out of tolerance. It occurs whether or not a PI signal is present and will send to memory to prevent any new memory references. The purpose of this signal is to prevent the loss of any memory data should logic power be lost faster than a normal turn-off sequence (PI or MC) can occur.

## Microcomputers

Microcomputers do not have the temperature requirements that mainframe and minicomputers have. They rely on the temperature of the room they occupy. They can, however, be affected by temperature if they are run when the room temperature is too high; generally above the 80°F mark. We, therefore, concentrate our discussion on the power requirements. Figure 4-45 is a basic block diagram of a microcomputer's power supply. It has the same basic components as mainframes and minicomputers. Microcomputers generate digital active signals out of the final stages to indicate that the power requirements have been met—one for **ac** and one for **dc**.

These signals are provided to the backplane/motherboard. Some computers have power supply LEDs on the backplane/motherboard to monitor the power supply output voltages and the power supply status signals. If a problem exists in the power supply, these LEDs should indicate the problem by remaining off. The ac and dc status signals must be present to reset the computer. If equipped with power supply LEDs, they are used as part of the power-up diagnostic.

**AC SIGNAL.**— A signal is sent to indicate that the ac input voltage is within specifications. If a minimum of 75 vac is applied to the input for at least 1 second, a signal indicating it has been met goes active. When the input voltage drops to 60 vac or less, the signal goes low and remains low for at least 1 second.

**DC SIGNAL.**— A signal is sent to indicate that the dc output voltages are within specifications. This signal goes active between 100 ms and 500 ms after the low-to-high transition of the ac signal. The dc signal remains active at least 5 ms (usually the minimum hold-up time for the dc outputs) after the high-to-low transition of the ac signal.

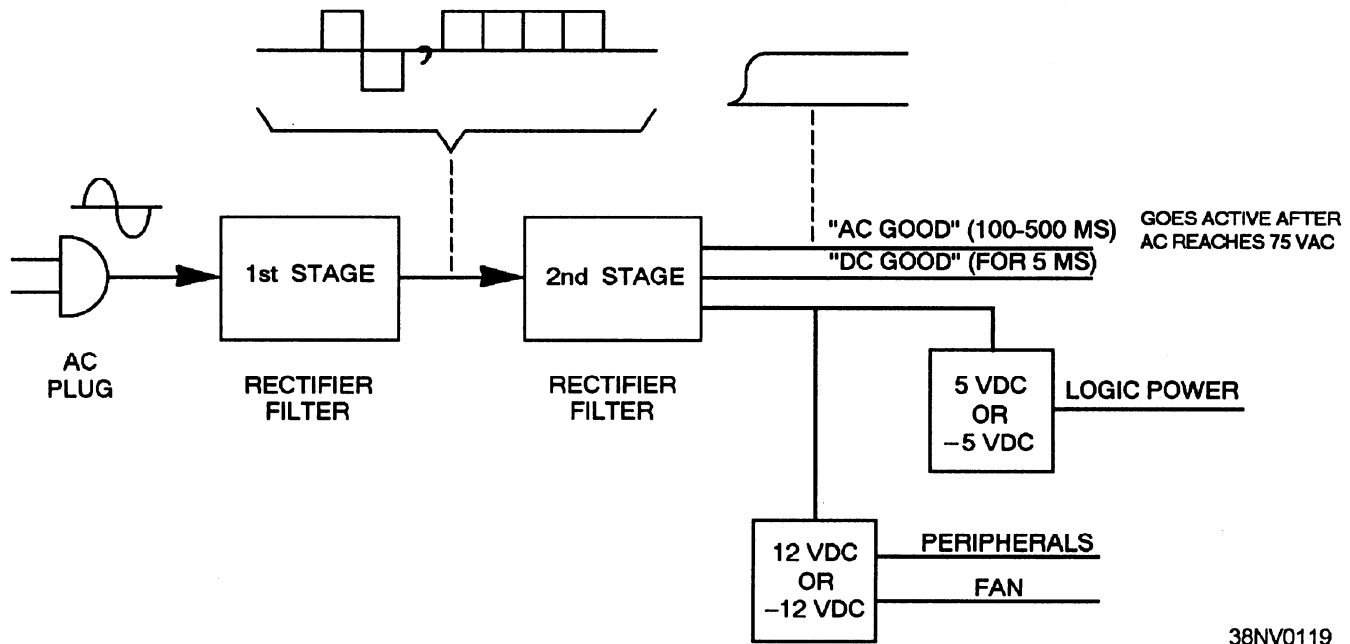


Figure 4-45.—Basic block diagram of a microcomputer's power supply.

## EXTERNAL COMPUTER PROTECTION DEVICES

Most computer systems are equipped with some sort of external protective device(s) that may include backup power. They are provided in-line with the input power source. We discuss protection devices and backup power.

### Protection Devices

Protection devices are placed in-line with the power source. Compensators are connected to a power panel; compensators and line conditioners use an outlet as their source.

**COMPENSATORS.**— Electrical compensators provide ac input voltage regulation to ensure reliable operation during voltage changes because of brownouts (where the voltage may dip below the level needed to run the computer) and transient voltage spikes. Electrical compensators do not contain batteries or a power inverter and, therefore, do not regulate or control the frequency of the ac line voltage. Variations in input frequency of the electrical compensator have a direct effect on output voltage regulation.

**LINE CONDITIONERS.**— Line conditioners filter the input power, bridge brownouts, suppress over-voltage and over-current conditions, and generally

act as a buffer between the power source and the computer. It is a real “surge suppressor.” The line conditioner is an active device as opposed to a passive surge-protector device. It contains circuits that bridge brownouts or low-voltage situations temporarily.

**SURGE PROTECTORS.**— These devices are designed to accept voltages as high as 6,000 volts and divert any voltages above 200 to ground. They can accommodate normal surges; but surges, such as a direct lightning strike, blow right through them. These devices can lose their effectiveness with successive surges.

### NOTE

**APPROVED LINE CONDITIONERS AND SURGE PROTECTORS ARE LIMITED FOR USE ABOARD SHIPS; CHECK NAVY SAFETY REQUIREMENTS FOR USE ABOARD SHIPS.**

### Backup Power

Backup power devices provide protection to a computer in the event of a complete power loss of the primary power. They provide the time needed for an orderly shutdown or continued operations.

**AUTOMATIC BUS TRANSFERS (ABT'S).**— ABTs are devices that transfer primary power from one source to another in a minimal amount of time. Some computer power supplies can accommodate this feature. This allows the computer to continue executing software during ABTs or other power absences of up to 100 ms.

**STANDBY POWER SUPPLY (SPS).**— A standby power supply uses special circuitry that can sense the ac line current. If the sensor detects a power loss on the line, the system quickly switches over to a standby battery and power inverter. The power inverter converts the battery to ac power, which is supplied to the computer.

**UNINTERRUPTIBLE POWER SUPPLY (UPS).**— An uninterruptible power supply provides power that is completely uninterruptible. It is constructed in much the same way as an SPS with the exception of the switching circuit. Your computer is running off a battery; therefore, no switching takes place and no system disruption takes place. If equipped as such, after a specified time period, a diesel-powered generator is automatically started; this conserves the battery.

## **SUMMARY—COMPUTER COMPONENTS AND CIRCUITS**

This chapter has presented material on computer components and circuits. These include computer number systems, computer logic, and integrated circuits, both digital and linear. It also has presented information on the functions of circuits, the types of data and formats, and the power supplies used by computers. The following information summarizes important points you should have learned:

**COMPUTER NUMBER SYSTEMS**— Digital computers use derivatives based on binary numbers. The two most commonly used are the octal and the hexadecimal number systems. These number systems are used for functions and mechanization of logic circuits.

**INTEGRATED CIRCUITS (ICs)**— Computers rely heavily on ICs. An integrated circuit is a complete electronic circuit, containing transistors and perhaps diodes, resistors, capacitors, and other electronic components, along with their interconnecting electrical conductors. The types of integration are small-scale (SSI), medium-scale (MSI), large-scale (LSI), and very large-scale (VLSI). ICs are packaged in many ways.

**IC FAMILIES**— The IC families are bipolar and metal-oxide semiconductor (MOS). They can both be used in digital and linear ICs. They can also be combined and are called bipolar MOS (BIMOS).

**DIGITAL IC'S**— Digital ICs handle information by means of switching circuits. They are used to process and store information. The basic building blocks of digital logic circuits contained in a computer are logic gates. The logic circuits contained in digital logic circuits are classified as combinational digital circuits and sequential digital logic circuits.

**LOGIC GATES**— Three logic gates are the basis for all logic gates. They are the AND, OR, and NOT logic gates. These three logic gates are used in different combinations and variations to form logic gates that perform decision-making functions throughout the computer.

**FLIP-FLOPS**— Flip-flops are sequential logic elements. They have only two output states, either 0 or 1. Flip-flops controlled by a timing signal (commonly called the clock pulse) are called synchronous operations. Flip-flops not controlled by timing are called asynchronous operations. Other flip-flops have gated (latched) operations. This means the logic function is turned on or off dependent upon an input control signal (command or enable).

**FUNCTIONAL USES OF DIGITAL IC'S**— Digital ICs may be used for decision-making functions. These include code converter circuits and data routing circuits. They are also used for memory-type functions.

**LINEAR IC'S**— Linear ICs are amplifying-type circuits in integrated form. They are regulating as opposed to switching. The output of a linear circuit changes in a smooth, even manner as the input is changed at a constant rate, so that a graph of output versus input is approximately a straight line; hence the name linear. Linear ICs use bipolar and MOS technology. The basic gate for a linear IC is the operational amplifier (op amp).

**FUNCTIONAL USES OF LINEAR IC'S**— In computers, linear ICs are used as general linear circuits to perform amplifying functions inside the computer. They are also used as system interface circuits to amplify data signals entering and leaving the computer or internal parts of the computer.

**TIMING CIRCUITS**— Timing circuits are used in a computer to ensure the proper timing of enables and disables throughout the computers. Timing circuit



components consist of wave generators and wave shapers. In computers, waveforms must be turned on and off for specific lengths of time.

**COMPUTER DATA TYPES AND FORMATS**— The smallest data element is the bit. Next comes the nibble, which is four bits. The byte is 8 bits. The word lengths vary depending on the computer and are the same length as the registers used in the computer, usually 16,30,32, or 64 bits. The double word is twice the length of the word.

**POWER SUPPLIES**— All digital computers have an internal power supply. The power supply in the computer does not supply power. It receives ac voltage from a source and converts it into useable dc voltage(s). Most computers require multiple dc voltages and levels. The dc is then distributed to where it is needed. The power supply in a computer is a switching power supply. This means the power supply can handle quite a range of power supply irregularities with minimal

difficulties. Power supplies have four basic sections. They can handle a range of input voltages and frequencies.

**COMPUTER POWER SUPPLY PROTECTION**— The computer's power supply must protect the computer from the incoming power, the distributed power, and/or temperature inside the computer's cabinet and/or modules. When overtemperature, overvoltage, or overcurrent conditions occur, the power supply will generally shut off.

**EXTERNAL COMPUTER PROTECTION DEVICES**— External computer protection devices include protection devices and backup power.

Learn all you can about the internal operation of computers and their circuits. You will need this information to test computer circuits—digital and linear, to identify faulty components and circuits, and to remove and replace (or repair) faulty components and circuits.



# CHAPTER 5

## CENTRAL PROCESSING UNITS AND BUSES

### INTRODUCTION

Digital computers have three major functional areas: **central processing unit (CPU)**, **memory**, and **input/output (I/O)**. This applies whether the computer is an 8-bit microprocessor or a 32-bit mainframe. Two other areas must be considered: the **system buses** and the **power supply**. They, too, play a major role with the functional areas of the computer. The buses are the means by which the CPU, memory, and I/O communicate with each other. The power satisfies the dc voltage requirements of the computer as you learned in chapter 4. Figure 5-1 shows a typical block diagram of a computer. To complete the computer system, the computer uses instructions to perform its operations. Through the man/machine interfaces, you can control the computer's operations to perform maintenance.

In this chapter, we discuss the CPU and buses. In chapter 6, we discuss memory. In chapter 7, we discuss input/output and how the computer interfaces externally with other computers, peripherals, and subsystems. In chapter 8, we examine computer instructions and the man/machine interface.

You can find a computer's functional areas and their operations, functional descriptions, logic implementation, interpretation of logic, and functional schematics in your computer's technical maintenance or owner's manuals. The technical manuals and MRC documentation provide you information on the required and/or recommended tools (standard and specialized), test documentation, and test equipment to perform preventive maintenance. The technical manual or owner's manual documentation provides information to perform all aspects of corrective maintenance. This includes test documentation and procedures; test equipment; and tools for disassembly, assembly, and repair. Repair tools include

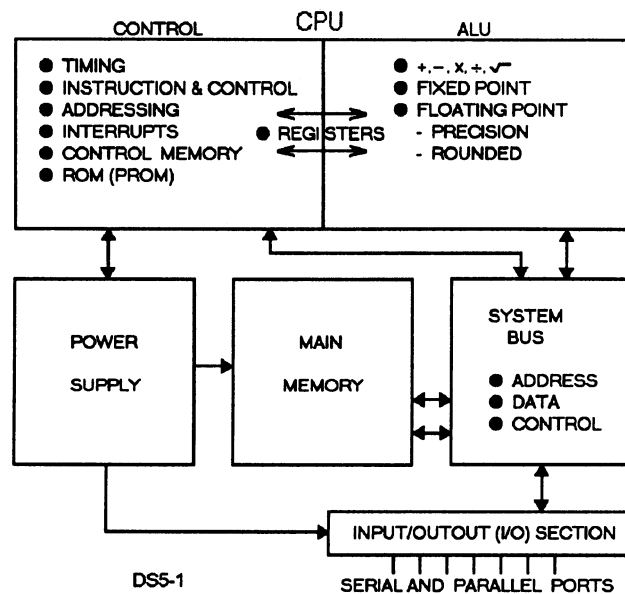


Figure 5-1.—Example of a typical block diagram of a computer.

standard and specialized tools. The specialized tools include solder and solderless repair tools.

Become familiar with your computer's publications and required documentation before you jump into the computer's hardware. This will enhance your abilities as a technician. To perform this job effectively, you must understand how a computer is organized internally. You must be able to recognize the functional areas and what their capabilities are. You must understand how buses function internally to transfer information internally.

The CPU is the computer's brain. All the computational operations (logical and arithmetic) and operational decisions are made in the CPU. The CPU controls all computer operations. The organization of the central processor becomes increasingly more complex as you move from a relatively simple microprocessor to a mainframe computer. But basically CPU functions are the same whether you are talking about a mainframe, a minicomputer, or a microcomputer.

The CPU comprises two interacting sections: the control section and the arithmetic logic unit (ALU). The control section directs the sequence of CPU operations, interprets the instructions, and provides the timing and control signals to carry out the instructions. The arithmetic logic unit implements arithmetic and/or logical operations required by these instructions. The CPU generally consists of timing circuits, registers, translators, selectors, comparators, adders, and subtractors.

**After completing this chapter, you should be able to:**

- **Recognize the internal parts and functions of a computer**
- **Describe how a control section of a CPU operates**
- **Describe how the functions of the arithmetic logic unit (ALU) are performed**
- **Describe the types of buses and how they operate**

---

## **TOPIC 1—CONTROL SECTION**

Like a traffic director, the control section decides when to start and stop (control and timing), what to do (program instructions), where to keep information (memory), and whom to communicate with (I/O). It controls the flow of all data entering and leaving the computer, from the beginning to the end of operations. It does this by communicating or interfacing with the ALU, memory, and I/O areas (fig. 5-2). It is also capable of shutting down the computer when the power supply detects abnormal conditions. In some computers it sends a signal to the control section to initiate computer shut-down.

Specifically the control section manages the operations of the CPU, be it a single chip microprocessor or a full-size mainframe. The control section of the CPU provides the computer with the ability to function under program control. Depending on the design of the computer, the CPU can also have the capability to function under manual control through man/machine interfacing. The man/machine interface operating modes, the operations, and the functions, along with the control section, will allow you to control the operations and perform maintenance on the computer(s). NEETS Module 13, *Introduction to Number Systems and Logic Circuits*, and chapter 4 of this volume provide an excellent review of some of the circuits used in the control section.

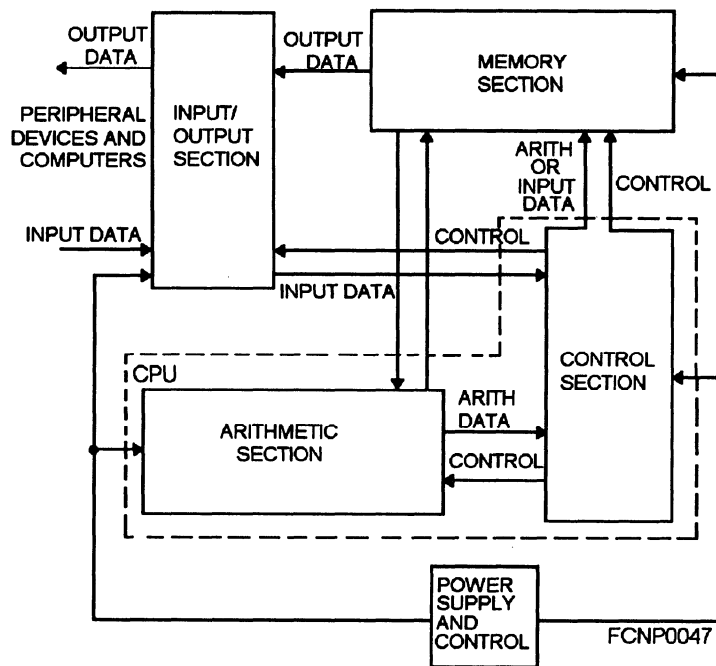


Figure 5-2.—Representative block diagram showing the relationship of the control section to the other functional areas of a computer.

The control section consists of several basic logically defined areas. These logically defined areas work closely with each other. They are the basis for the operations of the control section in most computers. They include:

- Timing
- Instruction and control
- Addressing
- Interrupts
- Control memory
- Cache memory
- Read-only memory (ROM)

## TIMING

Timing in a computer regulates the flow of signals that control the operation of the computer. Without timing, events in a computer would not take place. The computer's operations rely on both **synchronous** and **asynchronous** operations. Synchronous operations means that certain events happen at regularly timed intervals. An example of this is the computer's master clock. Asynchronous means that the completion of one event triggers the next event. An example of this is the execution of instructions located sequentially in memory. After an instruction is executed, the next

instruction cannot be executed until the program counter has been incremented to fetch it. Timing gets the computer going. Timing circuits are used throughout the computer, as you will see when we discuss each of the functional areas.

Not all computers rely on a sophisticated timing system. Some timing systems are very simplistic and rely only on the computer's master clock and one or two other timing signals derived from the master clock to start and stop events. Still other more sophisticated computers rely on the master clock and timing circuits in each of the functional areas to start and stop operations.

Some of the more common timing circuits you will encounter include the following:

- Master clock
- Main timing chain
- Main timing signals
- Timing sequences
- Sequence enables and control
- Real-time clock
- Monitor clock
- Programmable interval timers
- Arithmetic timing

Figure 5-3 is an example block diagram of timing circuitry used in a computer's CPU.

### Master Clock

From our discussion in chapter 4, you learned that the master clock can be either a single- or multiple phase master clock. A single-phase master clock can then be used to trigger a single-shot multivibrator that is used throughout the computer to enable and disable circuits in whatever sequence is necessary to properly execute the computer's operations. Multiple-phase master clocks can use a pulse generator or delay line oscillator to generate two or more clock phases. A delay line oscillator will generate two basic clock phases and any additional phases are derived from taps on the delay line oscillator.

Whether a pulse generator or delay line oscillator is used, they generate multiple phases sometimes referred to as odd  $\theta 1$  (CP1) and even phases  $\theta 2$  (CP0) or lettered phases ( $\theta A$ ,  $\theta B$ , or  $\theta BA$ ). These phases from

the master clock are then used to initiate the main timing chain flip-flops. The master clock in a computer can be suspended under certain conditions; the way it can happen varies with the type of computer. With a microcomputer, it is usually done by removing power to the computer. With a larger mainframe or minicomputer, you will need to remove the power works, too. However, certain types of **HOLDS**, **MASTER CLEARS**, and operating **MODES** selected at a console can also suspend master clock oscillations. Refer to your computer's technical manual for details. Refer again to figure 5-3 for an example.

### Main Timing Chain

The main timing chain consists of flip-flops arranged in a ring counter. It is used to count master clock phases. The flip-flops used in the main timing chain can be set and cleared by the two basic master clock phases and any additional master clock phases. The design of the computer determines how this is accomplished. The main timing (MT) chain is often

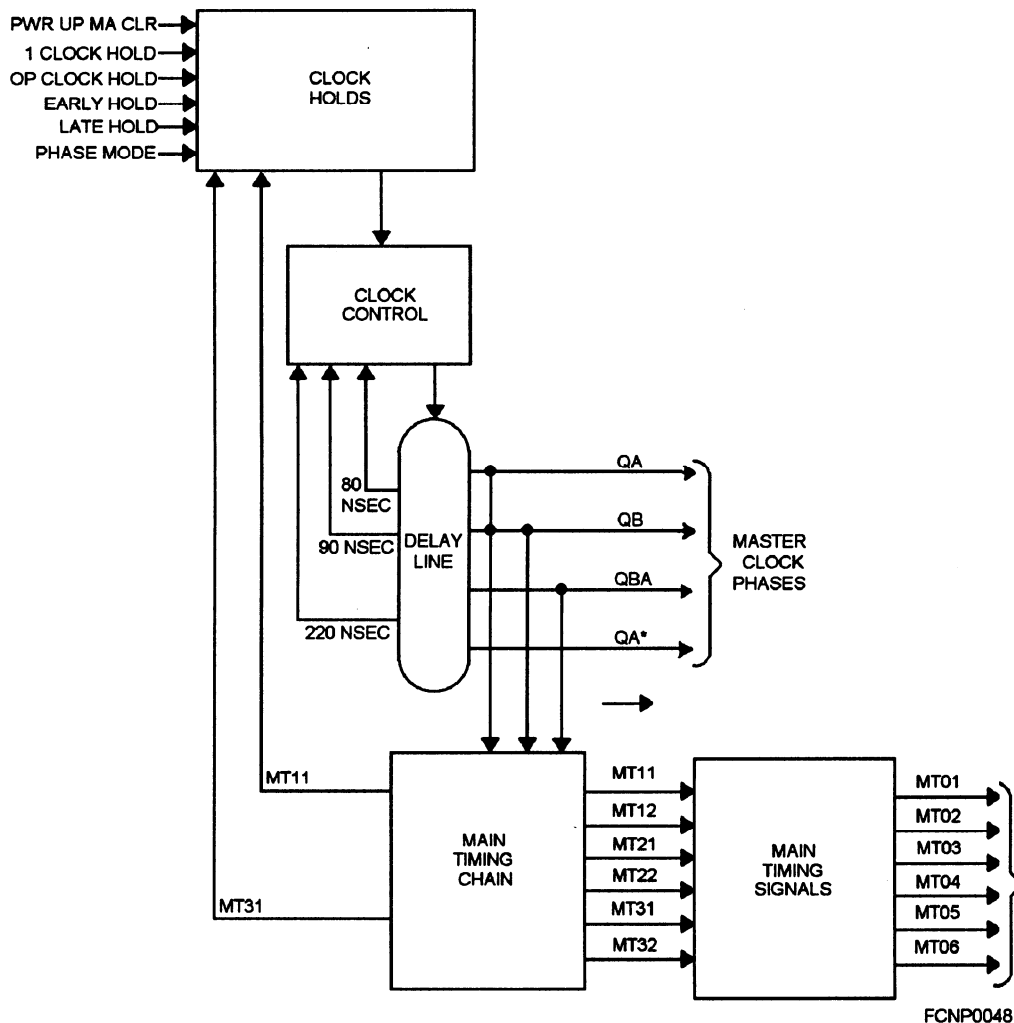


Figure 5-3.—Example block diagram of timing circuitry used in a computer's CPU.

designed so that the odd flip-flops (MT11, MT21, and so on) are set and cleared by odd phases or lettered phases and the even flip-flops (MT12, MT22, and so on) are set and cleared by the even or lettered phases. The timing chain uses the set and/or clear sides of the flip-flops to enable and disable circuits throughout the computer and to generate main timing signals (phases) such as MT01 or MT02. Main timing signals can be used to generate other commands, such as starting arithmetic timing for computers with more sophisticated mathematical operations.

### **Main Timing Signals**

Main timing signals are used in the CPU to enable and disable circuits or generate command enables that are used for control or arithmetic operations. The majority of data transfers affecting the registers and associated circuitry in the control section derive their enables from main timing signals. An example is a main timing signal used to generate a command enable such as sending data from one register to another.

### **Timing Sequences**

Timing sequences are used to issue a series of commands to perform a particular instruction or operation. The minimum number of sequences per instruction or operation is determined by the requirements of the computer. An example is the command to enable an instruction sequence, which is used to acquire the instruction for translation.

Some computers have separate control sections for each functional area. In that case, each function will operate independently of the others. That is, a computer that uses a controller for I/O operations has its own master clock/main timing chain/main timing signals, which are independent of the CPU's master clock/main timing chain/main timing signals.

### **Sequence Enables and Control**

Circuitry to control the sequence enables and to generate commands depends upon the type of instruction and method of addressing.

### **Real-Time Clock (RTC)**

The real-time clock (RTC) is used to keep track of units of real time. The RTC can be loaded, read, enabled, and disabled by machine instruction. The register itself is incremented at a rate determined by the

RTC oscillator circuit setting or the external RTC input frequency.

The RTC is only incremented when the CPU is running. It allows the computer, through machine instructions, to keep track of the passage of time using readily processed units of time. To prevent register overflow from causing errors in the timekeeping process, most RTCs generate register-overflow interrupts when the register contents increment around to zero (change from all ONEs to all ZEROs). The RTC can be enabled and disabled, and updated internally or externally.

### **Monitor Clock**

The monitor clock register is used to keep track of time intervals by counting down from its loaded value to zero. The monitor clock can be loaded, enabled, or disabled by machine instruction. The monitor clock is decremented in the same manner as the RTC is incremented and only when the computer is running. When the enabled monitor clock reaches zero, a monitor clock interrupt is generated. A monitor clock interrupt usually indicates that a designated computer operation timed out before it was properly completed. This usually occurs when memory or I/O cannot honor a request for reasons of priority or hardware failure. There must be a time limit established to release the hold on CPU main timing or an indefinite period of inaction could occur. By using the monitor clock register to keep track, a time limit is imposed.

### **Programmable Interval Timers**

For those microprocessors that do not have an RTC or monitor clock registers, there is an additional logic chip available called a programmable interval timer. This chip provides up to three counters or count registers that are software controlled. These registers can perform the RTC, the monitor clock, or any other time interval measurements.

The timer communicates with the CPU over the control and data buses. The count registers are independent of each other, addressable (0, 1, or 2), and can be loaded with count values or have their current values read and sent to the CPU. These counters are decrementing or down counters only. They operate off of separate clock signal inputs so they can be configured to count at the same or different clock rates. They can also be programmed to interrupt the CPU when the count in a selected register reaches zero.

## Arithmetic Timing

Arithmetic timing is initiated by a command from the CPU's main timing chain. How far arithmetic timing advances is dependent upon the specific instruction.

## INSTRUCTION AND CONTROL

The instruction execution and control portion of the control section includes the combinational and sequential circuits that make up the decision-making and memory-type functions. First we discuss some of the functions, operations, operand addressing, and operating levels. We include those items most common in all computers and any that are unique to a specific type of computer.

### Instruction and Control Functions

In chapter 4 we discussed the circuits that are used by computers. In this topic we discuss some of the more common functions used by these decision-making and memory-type circuits to execute instruction and control operations. Some of the more common functions of the circuits in this area include the accumulators, index registers, instruction register, program counter, and status indicating registers.

The registers (memory-type functions) work with decision-making functions (primarily data routing circuits) to channel the data inside the computer. Their functions are many in the CPU; therefore, we do not go into detail. Refer back to chapter 4 for their basic functions. These data routing circuits are capable of providing input to the registers and/or using their outputs to route data elsewhere in the computer. Among some of the data routing circuits included in the CPU's control section are the following:

- Adders
- Command signals (enables)
- Comparators
- Demultiplexers
- Selectors
- Translators

These are by no means all the functions contained in all computers, but they represent a general overview of the common functions needed to execute instructions and control operations.

Let's look at the more common functions of the memory-type circuits that the CPU uses.

**ACCUMULATORS.**— Located in the CPU are a number of general-purpose **registers** called accumulators that are used to temporarily store data or memory addresses. They are generally the same length (number of bits) as a memory word. There are typically 8-, 16-, or 32-bit accumulators, numbered from 0, depending on the size and type of computer or microprocessor.

These registers are accessible to a computer programmer. In other words a programmer can control, by machine instruction(s), what data is placed in these registers and what manipulations take place on the data. In addition to the operation (op) code, instructions contain one or two multibit fields that specifically identify the accumulator register to be operated upon.

In older computers each bit position's flip-flop circuit had indicator lamps to indicate the contents of the register to the computer programmer/technician. In the newer computers, the majority of registers are noting more than memory addresses in local storage areas. The register contents, however, are still accessible to the technician through the computer's man/machine interface.

**INDEX REGISTERS.**— Most CPUs contain a number of index registers (8-, 16-, or 32-bit). Index registers are addressable registers that are used for two purposes: **address modification** and **counting**. The value contained in a particular index register can be used to modify the operand address of a machine instruction without changing the instruction itself in memory. In this way a single instruction can be used to specify a large number of operands, indirectly.

The count in an index register can also be modified by fixed values (incremented or decremented) to control program repetitions or iterations.

**INSTRUCTION REGISTER.**— To translate and execute the instructions, the outputs of the instruction register are fed to logic circuits (**selectors** and/or **translators**) that are used to translate the binary codes into **commands** for the CPU to execute (fig. 5-4).

**PROGRAM COUNTER.**— The program counter controls the selection of machine instructions. It holds the address of the next instruction to be executed. **Adders** and **registers** are used to perform this function.



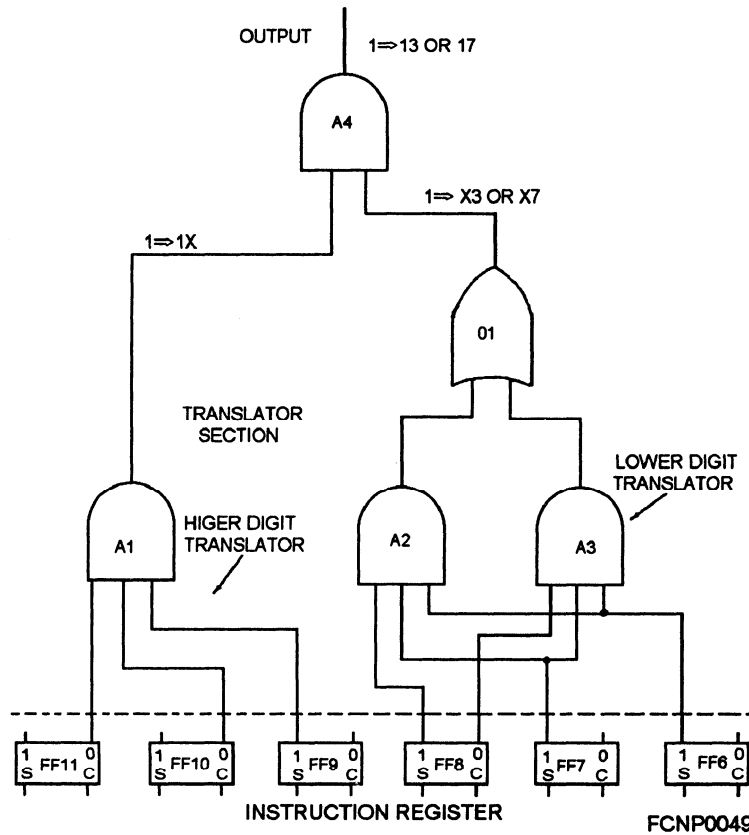


Figure 5-4—Example of instruction translation and execution circuitry.

**STATUS INDICATING REGISTERS.**— The CPU must have some way to monitor the status of the computer's internal operations. The name of these register or registers may differ between computers, but the general functions performed are the same. Some of the most common names are as follows:

- Condition code
- Status and control
- Program status
- Active status
- Flag

These registers use the condition of individual bits in the register to indicate the status of operations in the computer (fig. 5-5). Within the register, individual and sometimes groups of bits (2 or 3 bits) are hardwired to the computer logic. The 1 or 0 value in each bit position indicates the status of a particular activity or special function of the computer.

The specific activities monitored by these registers varies between computers, but consist of the following general areas: **arithmetic operation or comparison results** (carry, overflow, zero, negative, and so forth)

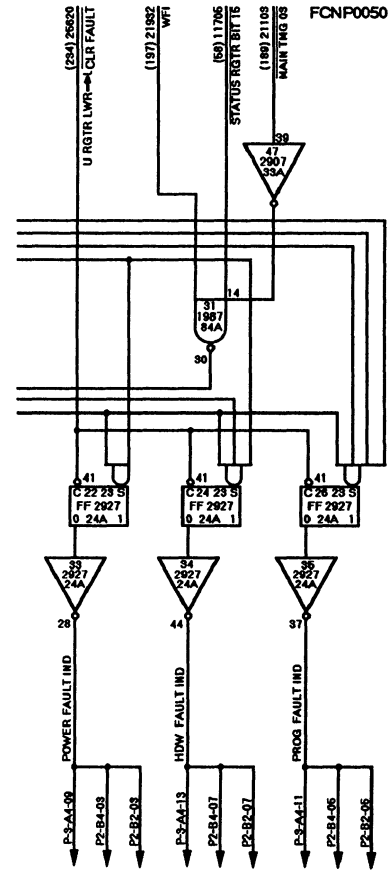


Figure 5-5.—Example of a status register; indication of a program fault.

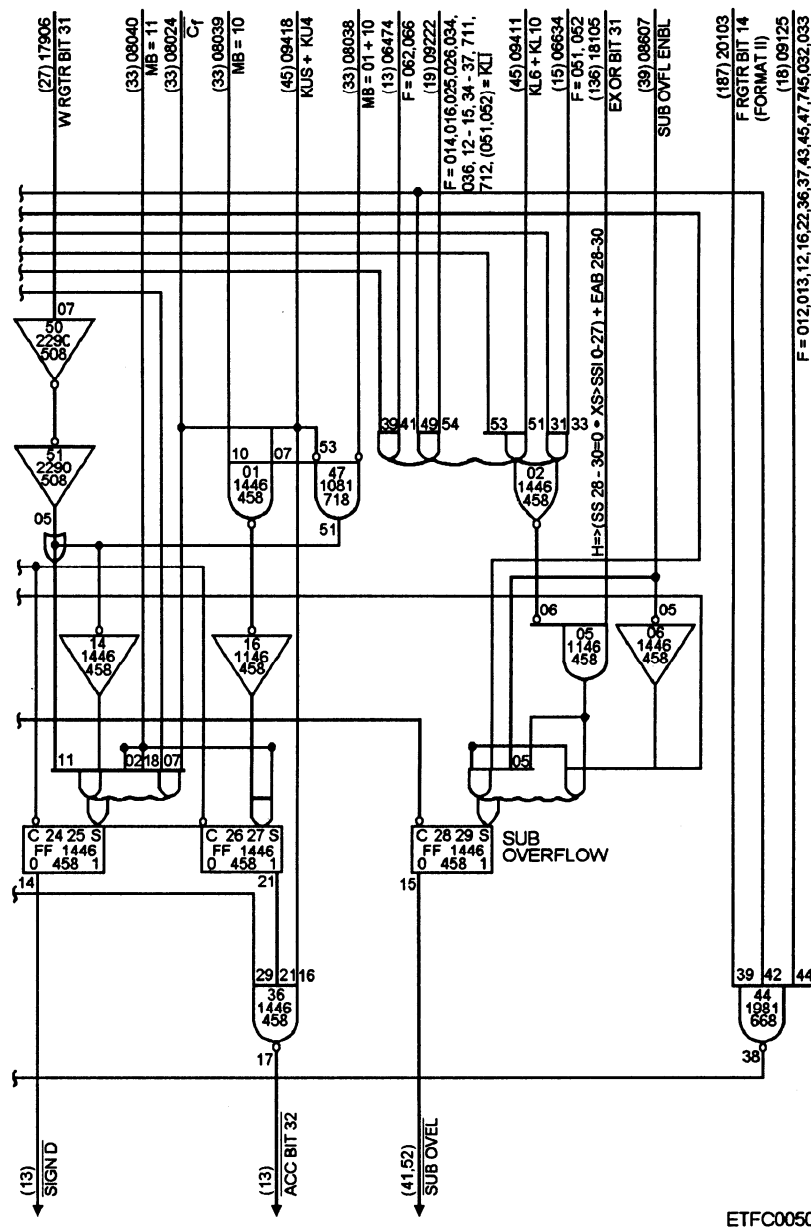
(fig. 5-6), a variety of **interrupt conditions**, **task or executive state status**, and **hardware status** (memory lockout, hardware faults, and so forth). These registers are often used with instructions where branching conditions are used to change the sequence of instruction execution.

The status indicating registers' contents can be sensed, loaded with new data bits, or stored into memory by machine instruction. Many machine instructions, particularly branching instructions, are designed to sense the condition of specified register bits to determine how the instruction itself is to be executed. Other instructions are designed to modify the contents of the register(s) to change state (executive or task) or to enable/disable classes of interrupts; this is

accomplished by indexing. The contents of the status indicating register(s) is/are normally stored into memory as part of the interrupt processing operation.

### Instruction and Control Operations

The control portion of the CPU for computers is responsible for fetching, translating, and executing all instructions (fig. 5-7). The CPU calls up or reads the instructions one at a time either from consecutive addresses or as dictated by the program from main memory or read-only memory (ROM). The general process of execution of a machine instruction can be divided into four major parts: fetch (read) the instruction, update the program counter or equivalent, translate the instruction, and execute the instruction specified by the function or op code.



ETFC0050

Figure 5-6.—Example of an arithmetic detecting circuit used to indicate a subtraction overflow condition.

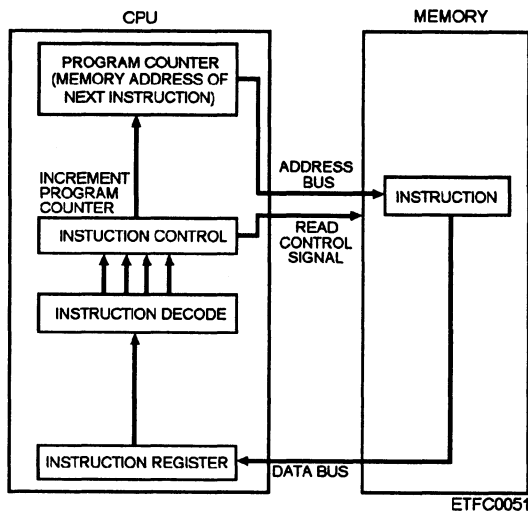


Figure 5-7.—Basic operation of a fetch and decode (translate) of an instruction in a CPU.

**FETCH (READ) THE INSTRUCTION.**— The instruction is fetched by reading the instruction from the memory (main memory or ROM) address specified by the contents of the program counter or equivalent. The instruction is temporarily stored in an **instruction register**, while the program counter is being incremented to the next instruction's address.

**UPDATE THE PROGRAM COUNTER.**— The program counter controls the selection of the instruction. The program counter contains the memory address of the next machine instruction to be executed. Most of the time machine instructions are executed sequentially. The program counter is incremented to the address of the next instruction. Usually an **index adder** is used to perform this function. When an instruction is completed, the new count in the program counter points to the next instruction to be fetched from memory and executed in turn.

The memory word size of the computer has an effect on the value that is used to increment the program counter. For those computers in which the majority of instructions are contained in one memory word, the program counter is incremented by one (1) for each instruction. For computers with smaller memory words (8-bits), instructions are often assembled from several sequential bytes and the program counter must be incremented by a value that will point to the first byte of the next instruction to ensure correct translation of that instruction's operation code.

There are times, however, when a change in the sequence of instruction execution, called **branching** or **jumping**, is required. Branching or jumping can be accomplished through the man/machine interface by using switches on the controlling consoles. Examples



Figure 5-8.—Block diagram of an operation to determine an absolute address.

are the stop and jump switches. In these cases instead of being incremented, the address in the program counter is changed to a new address to start sequential execution of a different section of machine instructions in the program. Branching or jumping can also be accomplished through program instructions.

In some computers, the program counter contains the **relative** or **offset address** of the instruction being executed. An additional set of registers called **base registers** are used to provide the base address of a block of memory. The program counter value must be added to a selected base register value (fig. 5-8) to determine the **absolute address** of the next sequential instruction.

**TRANSLATE THE INSTRUCTION.**— An instruction register holds the machine instruction while it is translated by other CPU logic (translators). The binary data that makes up the instruction op code determines the operation the CPU is to perform. The derived function codes are then sent to other parts of the control section of the CPU to execute the instruction. The translation of the instruction determines which command sequences will be used to execute the instruction.

**EXECUTE THE INSTRUCTION.**— Execution of the instruction will generate **command enables** that are used throughout the computer to transfer data between registers and other parts of the computer. The logic consists of gating and amplifying circuits, which produce or inhibit **control signals** appropriate to the combination of conditions at their inputs. The controlling conditions are supplied by the timing circuits (master clock, main timing chains, and timing sequences) and function code translator and associated circuitry (selectors, registers, adders, and comparators).

An execution technique used in newer microprocessors contains a logic assembly called an **instruction queue**. It is used to speed up computer operations and increase efficiency. The instruction queue allows the microprocessor to fetch a number of sequential instructions or instruction bytes and hold them in a queue for execution by the execution unit of the microprocessor. The instructions are fetched by the bus when the memory section is available for access and in some cases pretranslated while the processor is

executing other instructions. Instructions or instruction bytes are added to the rear of the queue until the queue is full. When the execution unit has completed an instruction, it simply takes the next instruction or several instruction bytes from the front of the queue.

### Instruction Operation Levels

The CPU executes instructions at two levels or states: the executive state and the task state. Data bits in the status indicating registers(s) are used to select the desired **active state**.

- **Executive state** —Executive state, also called interrupt state, instructions are designed to process what are known as **executive functions** (primarily I/O and interrupt processing) for multiprogramming operations. These functions are included in the operating system programs. There may be as many as four separate executive states in newer computers, one for each class of interrupts.

- **Task state** —Task state instructions execute what are called **application functions**. These functions actually perform the work, such as solving the fire control problem in a CDS/NTDS platform or computing a sonobuoy pattern on a TSC platform.

The majority of machine instructions can be executed in either the task or executive states. There are a limited number of instructions that can be executed only in the executive states. An example is **privileged instructions** that are part of **interrupts**, which you will learn more about later in this topic.

Those computers that have task and executive states have at least one set of addressable registers for each state. These addressable register types (accumulators, index registers, base registers, and the like) are only accessible by machine instruction when the computer is in the applicable state. The register sets are enabled and disabled automatically as the computer changes states. In computers with four executive states, there are five sets of addressable registers, one for the task state and one for each executive state.

### INSTRUCTION OPERAND ADDRESSING

Addressing is the process of locating the operand (specific information) for a given operation. It is similar to the process of obtaining your address so that information can be sent to you. Once the computer knows where to obtain the location of the operand, the instruction can be carried out. If for instance, the operand is in memory, the addressing technique determines how to obtain the memory address of the operand and how to use this address to locate the operand and fetch it. If the operand is in one of the

CPU's registers, addressing is the means by which the instruction specifies the selected register and the operand is fetched. Because the length of instructions and the number of bits per memory cell vary between types of instructions and computers, there is a variety of ways the operand may be obtained.

### INTERRUPTS

Up to this point we have covered timing and instruction control and execution. The following information is designed to tie together the overall operation of the computer through the study of interrupts and interrupt processing. We first cover the definition of an interrupt and the types and classifications of interrupts you will encounter in computer systems. Then, we cover how computers handle interrupts and what happens within the computer hardware and software.

An interrupt is defined as a break in the normal flow of operation of a computer caused by an **interrupt signal**. The break occurs in such a way that the operation can be resumed from the point of the break at a later time with exactly the same conditions prevailing.

Interrupts are a method of diverting the attention of the computer from whatever process or program it is performing to the special condition or event that caused the interrupt signal. Interrupts allow the computer to respond to high priority demands and still be able to perform normal or lower priority processing. When the condition that caused the interrupt signal to occur has been addressed or processed, the computer's attention can be returned to the process or program it was executing before the interrupt with the **exact same conditions prevailing**. Interrupts can occur either **asynchronously** or **synchronously** within the CPU program. The handling of a synchronous interrupt occurs with the actual event that caused the interrupt; whereas the handling of an asynchronous interrupt may occur much later in time than the actual event that caused the interrupt. We discuss the classification, types (micro, mini, and mainframe computers), priorities, codes, and handling processes of interrupts.

### Classifications of Interrupts

There are two major classifications of interrupts: internal interrupts and external interrupts.

- **Internal interrupts** —Internal interrupts occur as a result of actions or conditions within the sections of the computer (CPU, IOCs, or memory). Internal interrupts tend to indicate the completion or termination of I/O operations, or the ending of defined time periods; or they signal some type of error.

- External interrupts —External interrupts are received from external peripheral devices. They are used to synchronize the execution of computer programs to the readiness of the peripheral device to transmit or receive data. They are also used to identify peripheral equipment problems/errors to the computer.

Now let’s look at how interrupts work in each major type of computer.

**MICROCOMPUTER INTERRUPT TYPES.—**The microcomputer receives both internal and external interrupts. Internal interrupts are received from the real-time clock, system clock, and other conditions that effect the operation of the microprocessor. External interrupts are received from disk drives, CD-ROM drives, sound boards, etc. These are classified as external interrupts, even though the devices are physically installed in the microcomputer case. Microcomputer interrupts fall into two basic categories: maskable and non-maskable. The CPU of the microcomputer has two interrupt signal lines, one for each category of interrupt.

External hardware interrupts are maskable interrupts. The interrupt request signal indicates the presence of one or more of these interrupts. The specific interrupt type is defined by accompanying interrupt code words. The interrupt code and a ROM or programmable ROM (PROM) lookup table are used to direct the

processor to the address of the interrupt processor program for the particular interrupt type. Maskable interrupts can be masked out or locked out for short periods of time by the software to allow the CPU to perform critical operations. The programmer is responsible for ensuring that interrupts are managed in a timely manner.

Nonmaskable interrupts cannot be masked out. They are used for conditions that require immediate attention by the microcomputer. Examples include interrupts from the internal hard disks, modems, fax cards, and sometimes a power out-of-tolerance condition. If this feature is available, a power out-of-tolerance condition will force the microcomputer to execute its save data program.

The **interrupt request (IRQ)** line provides the input signal path for all interrupts. If the interrupt enable bit in the status indicating register is set, the interrupt is processed at the end of the current instruction cycle. If the interrupt enable bit is clear, the interrupt signal is ignored by the microcomputer and the next sequential instruction is executed.

Each hardware interrupt has a unique IRQ channel assigned. Some of these channels are preassigned and cannot be changed, while several are available for the user to install additional hardware into the microcomputer. Table 5-1 lists the hardware interrupt channels used by most microcomputers. Note that in

Table 5-1.—Common IRQ Assignments for Microcomputers

IRQ Channel	INTERRUPT FUNCTION	BUS SLOT/SIZE
0	System Timer	No
1	Keyboard Controller	No
2	Cascade to IRQ 9	Yes/8 or 16 bit
3	COM2 or COM4	Yes/8 or 16 bit
4	COM1 or COM3	Yes/8 or 16 bit
5	Parallel Port 2 (LPT2)	Yes/8 or 16 bit
6	Floppy Disk Controller	Yes/8 or 16 bit
7	Parallel Port 1 (LPT1)	Yes/8 or 16 bit
8	Real-Time Clock	No
9	Available 9May appear as IRQ 2	Yes/8 or 16 bit
10	Available	Yes/16 bit
11	Available	Yes/16 bit
12	Motherboard Mouse Port	Yes/16 bit
13	Math Coprocessor	No
14	Hard Disk/Primary IDE Controller	Yes/16 bit
15	Secondary IDE controller/Available	Yes/16 bit

Table 5-1, IRQ5 is assigned to parallel port 2; this port is generally available in most microcomputers and is commonly used by most sound cards. When microprocessors expanded from 8-bit to 16-bit processors, the amount of hardware supported also grew. This required the addition of more IRQ channels. Manufacturers added an additional 8-channel processor and cascaded them by connecting IRQ2 on processor to IRQ9.

The latest development in microcomputer technology concerning interrupt processing is the Plug-n-Play feature. A true plug and play system requires three components to work together; the hardware, the BIOS, and the operating system. During the power-on cycle of computers that are Plug-n-Play capable, the firmware contained in the basic input/output system (BIOS) interrogates each component in the system to determine the type of board, IRQ channel requirements, DMA channel requirements, and ROM requirements. The board responds with the specifications it requires, then the BIOS assigns IRQs, DMA, ROM resources, etc., to all the boards, ensuring that there are no conflicts. The functions of the BIOS are covered in detail later in this chapter. This process is repeated every time the computer is turned on. Controllers that are not Plug-n-Play compatible can be installed by using the standard configuration program and locking the resource to those unique settings.

**MINI AND MAINFRAME INTERRUPT TYPES.**— Within larger computers, interrupts are divided into a number of separate classes. Multiple classes of interrupts are needed because there are several levels of processing within these computers and many different types of operations and conditions that have to be monitored. Some operations and conditions are more important than others.

There are generally three or four classes of interrupts, which we designate class I, II, III, and IV. Interrupts are prioritized by these classes and by the types of interrupts within a class. Class I interrupts are the highest priority or most important interrupt class as far as the computer is concerned. The other classes (II, III, and IV) are in turn lower in priority than Class I.

**Class I Interrupts.**— Class I interrupts function during all computer operations; in other words, they will interrupt any computer program or instruction. These are the highest priority interrupts. Known as fault and hardware or hardware error interrupts, these interrupts indicate there is a serious hardware problem with the computer, or more accurately within the CPU or its communication buses. The following are some of the more common class I interrupts:

- Power fault or power tolerance
- Memory parity errors
- Memory resume errors
- Bus communication errors

The most common class I interrupt is the **power fault** or **power tolerance** interrupt. This interrupt indicates that the power supply voltage has fallen below a certain tolerance level and that the computer should execute its power failure processing routines before there is a total loss of power. The actual routines will vary from computer to computer based on the device's automatic restart and backup storage power capabilities.

**Class II Interrupts.**— Class II interrupts are used to identify faults and errors within the CPU or IOC instruction execution and program timing processes. These **software interrupts** can indicate the following conditions:

- Execution of illegal instruction operation (op) codes (CPU or IOC instructions)
- Execution of privileged instructions in the task mode
- Floating-point math underflow or overflow conditions
- Real-time clock (RTC) overflow
- Monitor clock timeouts

**Class III Interrupts.**— Class III interrupts are primarily **I/O operation interrupts**. They indicate such functions as the following:

- External interrupts
- Input or output chain interrupts
- Intercomputer timeouts
- Input data ready or output data ready interrupts

**Class IV Interrupts.**— In some computers, there is a class IV interrupt that indicates **executive state entrance**. In others, the executive state entrance is a class II interrupt. A limited number of instructions can be executed only in the executive states. Among them are privileged instructions.

**MINI AND MAINFRAME INTERRUPT LOCKOUT OF CLASS I, II, III, AND IV TYPES.**— Computers that operate with different levels of interrupts are equipped with the logic circuitry to

lockout or disarm classes of interrupts and often specific interrupts within a class. Lower levels of interrupts (class II through IV) can be **locked out** (disarmed) or **enabled** (armed) by machine instruction. The terms *prevent/allow* are also used in place of enable/disable with some computers. The lower priority interrupts are locked out so that they do not interfere with higher level computer operations (executive state or class I interrupt processing) while they are in progress.

There are usually several specific class I interrupts that cannot be locked out by instruction. These interrupts would normally include any of the following:

- Power fault
- CPU instruction fault
- IOC instruction fault interrupts

**INTERRUPTS AND INTERRUPT CODES.—**

Interrupt signals, as a rule, cause the computer to reference a fixed address in memory and execute the subroutine (a series of instructions) identified by the contents of the address. The interrupt signal only identifies the class of interrupt. Multiple interrupt types within a class are usually defined by an accompanying **interrupt code** or **interrupt code word**.

In older and smaller computers, the interrupt code parallels the interrupt signal. In other words both the interrupt signal (class I, II, or III) and identifying code

are received and processed by the CPU at the same time. Since the interrupt processor tends to lockout interrupts of the same class, this process tends to hold up or even lose interrupts of the same or lower priority classes that occur while the first interrupt is being processed.

Newer computers retain multiple interrupt codes of the same class in an **interrupt stack** or **interrupt queue**, usually contained in the I/O section. There usually is a stack or queue for each interrupt class (I, II, or III). Interrupt queues store their codes in first-in, first-out (FIFO) order.

The interrupt signal would indicate to the CPU the presence of at least one interrupt of the particular class. The stack and queue arrangements allow the CPU to sample the interrupt codes at its convenience. As each code is processed, it is removed from the stack or queue until the stack or queue is empty. The interrupt signal would only drop if the stack or queue becomes empty. New interrupt codes would simply be added to the stack or queue as they occur. An empty stack or queue would generate an interrupt signal when the first new code is added to the stack or queue by the I/O circuits.

**INTERRUPT HANDLING PROCESS.—** CPUs follow a specific sequence of events when processing an interrupt. Remember interrupt processing has priority over normal program execution. We discuss the general interrupt handling process in order of its sequence. Figure 5-9 illustrates the general sequence

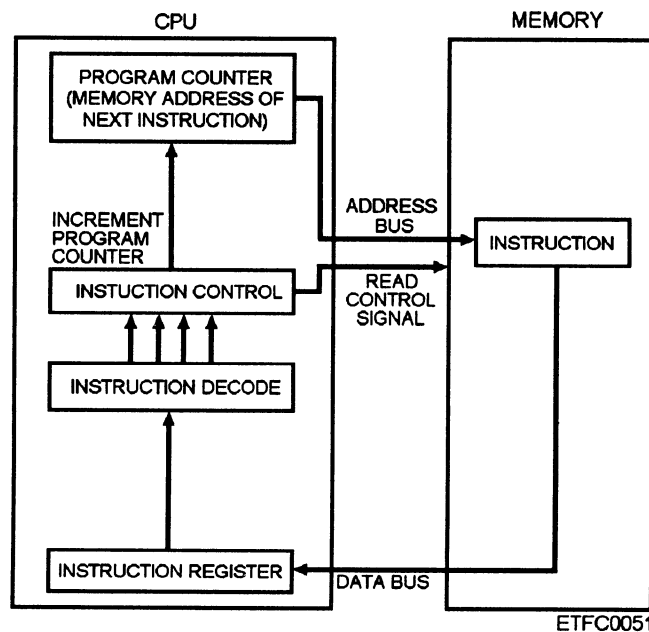


Figure 5-9.—General sequence of an interrupt response.

of an interrupt response by the CPU. Refer to this figure as we describe the process.

**Terminate Current Program Execution.—**

Computers are not designed to instantly stop all current operations when an interrupt signal is received. They do not halt the current operation until the machine instruction (macro or micro) being processed has been completed. Interrupt terminations effectively occur between instructions. There is usually a check for interrupt signals at the end of the current instruction execution cycle. In our example, an interrupt is received during the execution of the third instruction.

At this time, the program counter has been incremented to the next instruction's address, and all register operations are complete from the execution of the instruction in the instruction register, the third instruction. The program counter reflects the address of the next instruction in the current program and the register contents are stable. It is at this point that the interrupt process will be initiated.

**Lock Out All Interrupts.—** The first event that takes place in interrupt processing is the locking out of all new interrupts. This is done to protect the integrity of the process that ensures returning to the same conditions after processing the interrupt. There are a few machine instructions and other processes that must be performed to save the current register data so that it can be restored to the preinterrupt conditions. The interrupt lockout prevents any new interrupts from interrupting this process and potentially losing data or even worse losing track of where the computer was in the interrupted program.

**Store Program and Register Data.—** Once all interrupts have been locked out, the computer can store the current process's register data in the applicable memory locations. Each class of interrupt is assigned a block of memory locations to store at least the following register contents: program counter and status register(s).

The program counter data will allow the interrupted process to be restarted as if the next instruction is being executed as in normal operation. The status register contents are saved to be able to reinstate the computer's operational status at the time of the interrupt once the interrupt has been processed. In our example, the data from the three previously executed instructions is stored in memory. The address of the fourth instruction of the current program is also saved.

In newer computers, the accumulator, index, and other addressable registers do not require saving since

there is a separate register set for each task and executive state. When a new state is entered, the instructions being executed can only address or modify the registers assigned to that state. Any other task or executive state registers are disabled and their contents are protected until the appropriate state is reentered.

**Retrieve Interrupt Processor Data.—** After the register data is saved, the new executive state's registers are loaded with the interrupt processor program data. The program counter is loaded with the starting address of the processor program (instruction number 1 of the interrupt routine), the status register(s) is/are loaded with the operational status data required by the program. The interrupt processor data for each class of interrupts is stored in an assigned block of memory cells where it can be retrieved for each interrupt.

**Enter Executive State and Enable Desired Interrupts.—** The loading of the status register(s) allows the computer to enter the required executive state and enable the interrupts that can in turn interrupt the interrupt processor. The data bits loaded into the status register(s) effectively change the executive state class (I, II, III, or IV), and enable the active status register set.

The new status register bits also set or clear interrupt lockouts to enable or disable specific interrupt classes. The new data in the status register(s) would only enable higher priority interrupts than the interrupt being processed.

**Execute Interrupt Processor Program.—** The address in the active state's program counter will now allow for the execution of the interrupt processor program, instruction number 1 of the interrupt routine. The interrupt processor samples the interrupt code words and determines the appropriate action in response to the interrupt.

**Return to Original Process.—** Upon completion of the interrupt processor routine, the active state will be switched to the next lower state, either task state or a lower priority executive state, and the program counter and status register(s) for that state will be reloaded with the saved data. The program counter can then call up the next sequential instruction (instruction number 4 of the current program) in the interrupted process and the program will continue as if no interrupt had occurred. The computer will normally return to the task state program only when all executive state procedures have been completed.



## CONTROL MEMORY

Control memory is a random access memory (RAM) consisting of addressable storage registers. It is primarily used in mini and mainframe computers as a temporary storage for data. Access to control memory data requires less time than to main memory; this speeds up CPU operation by reducing the number of memory references for data storage and retrieval. Access is performed as part of a control section sequence while the master clock oscillator is running.

The control memory addresses are divided into two groups: a task mode and an executive (interrupt) mode. Addressing words stored in control memory is via the address select logic for each of the register groups. There can be up to five register groups in control memory. These groups select a register for fetching data for programmed CPU operation or for maintenance console or equivalent display or storage of data via a maintenance console or equivalent. During programmed CPU operations, these registers are accessed directly by the CPU logic. Data routing circuits are used by control memory to interconnect the registers used in control memory.

Some of the registers contained in a control memory that operate in the task and executive modes include the following:

- Accumulators
- Indexes
- Monitor clock status indicating registers
- Interrupt data registers

## CACHE MEMORY

Cache memory is a small, high-speed RAM buffer located between the CPU and main memory. Cache memory buffers or holds a copy of the instructions (instruction cache) or data (operand or data cache) currently being used by the CPU. The instructions and data are copies of those in main memory.

Cache memory provides two benefits. One, the average access time for CPU's memory requests is reduced, increasing the CPU's speed by providing rapid access to currently used instructions and data. Two, the CPU's use of the available memory bandwidth is reduced. This allows other devices on the system bus to use the memory without interfering with the CPU. Therefore, cache memory is used to speed up the flow

of instructions and data into the CPU from main memory.

This cache function is important because the main memory cycle time is typically slower than the CPU clocking rates. To accomplish this rapid data transfer, cache memories are usually built from the faster **bipolar** RAM devices rather than the slower **metal-oxide-semiconductor (MOS)** RAM devices. The RAMs used for cache memory may be either dynamic RAMs (DRAMs) or static RAMs (SRAMs). Cache memories are not part of the memory section and they are transparent to programmers (i.e., not accessible by machine instruction). Their size varies with the type of computer; usually they are no more than 64K.

**PROPERTIES OF CACHE MEMORY.**— All caches share the following properties:

- A buffered memory or cache memory consists of a small high-speed memory with main memory information. This information may be addresses, data, or instructions. The speed of the small memory is usually on the order of one magnitude faster than main memory, and its capacity is typically one or two orders of magnitude less than main memory.
- A cache memory system requires an **identifier** or **tag store** to indicate which entries of main memory have been copied into it. Such an area is usually referred to as the directory or tag store.
- A cache memory requires a logical network and method of replacing old entries.
- A cache memory uses timing and control.

**CACHE PROCESS.**— The cache process takes place when a CPU with a cache initiates a memory reference. The address of the needed item is generated and the cache is searched. The method of search depends on the type of cache **mapping** used by the computer system. We can generalize the cache process into three areas as follows:

- **Searches** —Reads from the cache directory with a hit indicating that the data from the requested address is present, while a miss indicates that the data is not present.
- **Updates** —Writes to the cache data as well as to the directories with new informationo
- **Invalidates** —Writes only to the directories; this effectively removes an address that previously resided in cache.

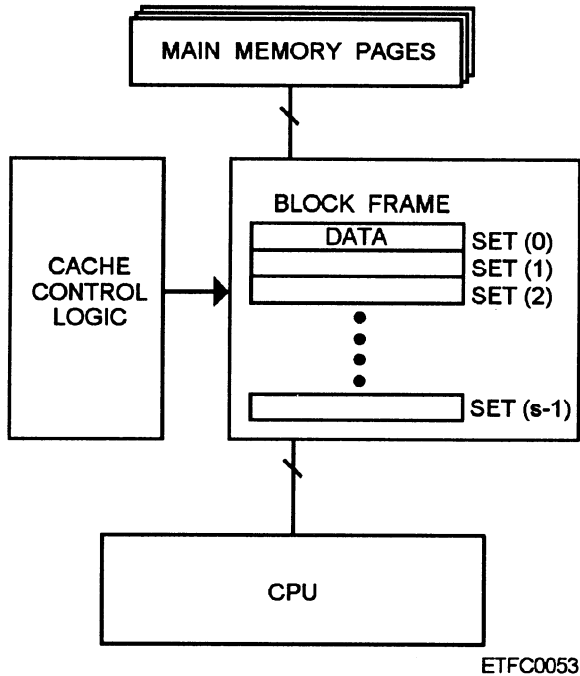
If the particular address is found in the cache, the block of data is sent to the CPU, and the CPU goes about its operation until it requires something else from memory. When the CPU finds what it needs in the cache, a hit has occurred. When the address requested by the CPU is not in the cache, a miss has occurred and the required address along with its block of data is brought into the cache according to how it is mapped.

Cache processing in some computers is divided into two sections: **main** cache and **eavesdrop** cache. Main cache is initiated by the CPU within. Eavesdrop is done when a write to memory is performed by another requestor (other CPU or IOC). Eavesdrop searches have no impact on CPU performances.

**CACHE MAPPING TECHNIQUES.**— Cache mapping is the method by which the contents of main memory are brought into the cache and referenced by the CPU. The mapping method used directly affects the performance of the entire computer system.

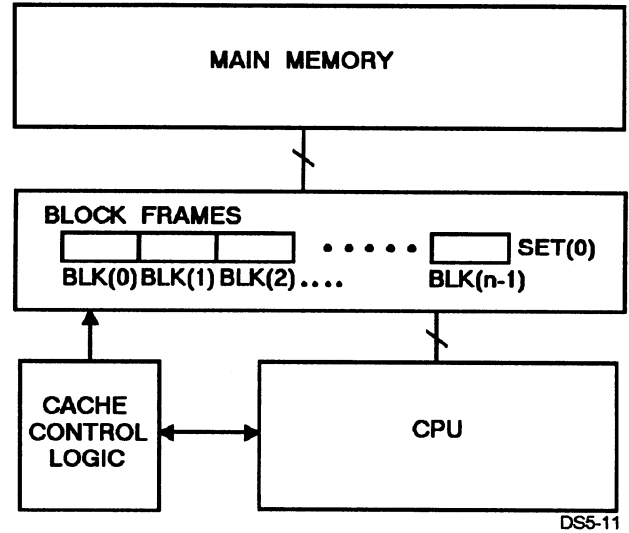
- **Direct mapping** —Main memory locations can only be copied into one location in the cache. This is accomplished by dividing main memory into pages that correspond in size with the cache (fig. 5- 10).

- **Fully associative mapping** —Fully associative cache mapping is the most complex, but it is most flexible with regards to where data can reside. A newly read block of main memory can be placed anywhere in a fully associative cache. If the cache is full, a



ETFC0053

Figure 5-10.—Example of direct mapping used in cache memory.



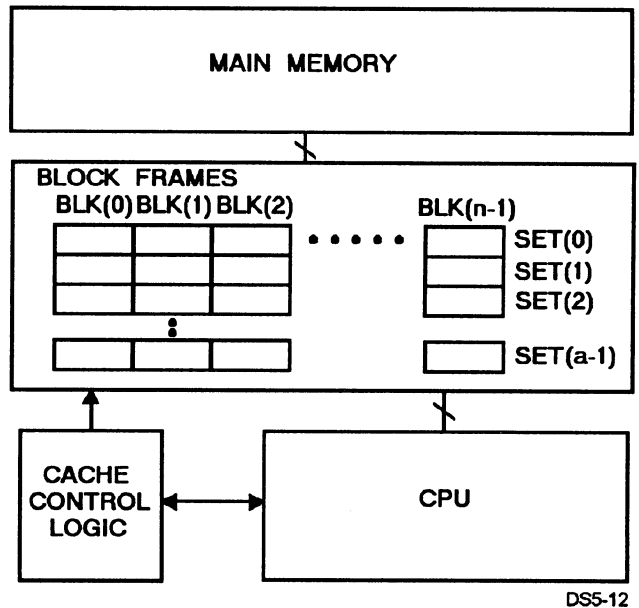
DS5-11

Figure 5-11.—Example of fully associated mapping used in cache memory.

replacement algorithm is used to determine which block in the cache gets replaced by the new data (fig. 5-11).

- **Set associative mapping** —Set associative cache mapping combines the best of direct and associative cache mapping techniques. As with a direct mapped cache, blocks of main memory data will still map into as specific set, but they can now be in any N-cache block frames within each set (fig. 5-12).

**CACHE READ.**— The two primary methods used to read data from cache and main memory are as follows:



DS5-12

Figure 5-12.—Example of set association mapping used in cache memory.

- **Look-through read** —In look-through read, the cache is checked first. If a miss occurs, the reference is sent to main memory to be serviced. This is known as a serial read policy.

- **Look-aside read** —A look-aside read presents both cache and main memory with the reference simultaneously. Since the cache will respond faster, if a hit occurs, the request can be terminated before main memory responds. This is known as a parallel read policy.

**CACHE REPLACEMENT POLICIES.**— When new data is read into the cache, a replacement policy determines which block of old data should be replaced. The objective of replacement policies is to retain data that is likely to be used in the near future and discard data that won't be used immediately. The replacement policies include the following:

- **FIFO** —The first block that was read into cache is the first one to be discarded.

- **LRU** —The block that hasn't been used in the longest period of time is replaced by the new block.

- **Random.** —Blocks are replaced randomly.

- **Optimum**— This cache replacement algorithm is psychic and has perfect knowledge of the future. Optimum replacement is what the other three strive for, with LRU coming the closest.

**CACHE WRITE.**— Since the cache contents are a duplicate copy of information in main memory, writing (instructions to enter data) to the cache must eventually be made to the same data in main memory. This is done in two ways as follows:

- **Write-through cache**— Writing is made to the corresponding data in both cache and main memory.

- **Write-back cache**— Main memory is not updated until the cache page is returned to main memory.

## READ-ONLY MEMORY (ROM)

Every computer comes with a set of software instructions supplied by the manufacturer. This enables the computer to perform its I/O operations. These permanent instructions (routines) reside in a read-only memory (ROM). ROM is often referred to as **firmware**: software permanently contained in hardware. The instructions are considered permanent or nonvolatile, since they are not erased each time the computer loses power or is turned off. The ROM

contains the program that defines its uniqueness compared with all other types of computers.

The ROM is programmed at the time of manufacture and cannot be altered. It is tailored to system requirements. It cannot be altered except by removing and replacing it—either a module or IC chip on a board. The contents of the ROM are electrically unalterable. Other variations of ROMs called PROMS can be reprogrammed as required. This and other variations are covered in further detail in chapter 6 on memory.

In connection with the ROM, you will hear the term *boot procedure* used. The ROM initiates the boot procedure—a sequence of steps followed when you turn on the power to the computer or initiate the boot procedure. The steps required to successfully **boot** the computer depend on the type of computer. Other terms that have the same meaning as boot include **boot up**, **booting**, or **bootstrap**. They all refer to the process of loading the software. Consult your computer's technical or owner's manual for the exact procedures for your computer system. We use two types of ROMs to discuss some of the programs associated with the ROM: nondestructive readout (NDRO) memory and basic input/output system (BIOS).

## Nondestructive Readout (NDRO) Memory

A nondestructive readout (NDRO) memory is usually associated with a militarized mainframe or minicomputer. The NDRO is a small module that occupies two or more slots. For mainframes, it is located in the CPU module. For minicomputers, it is located in the chassis that contains the CPU's pcb's. The functions of an NDRO are controlled from the computer's controlling device: a maintenance console or equivalent. The sizes of the NDRO addresses vary with the type of computer and its requirements. Selection of a particular word in the NDRO is via the NDRO address select, line selector, and current switch logic. AN NDRO consists of hardwired circuits to create the bootstrap programs or a ROM or PROM. Some of the programs contained on an NDRO include the following:

- Two bootstrap programs—Used to load programs from peripheral equipments into main memory
- Autostart programs

- Computer start programs—Used to start a program from a controlling device, locally or remote
- Interrupt routines
- Diagnostic programs—Load failure analysis, memory test, interface test, and computer interconnection system
- Program development memory
- User-specified programs
- Inspect and change programs

### Basic InPut/Output System (BIOS)

A basic input/output system (BIOS) is usually associated with “a microcomputer. The BIOS performs the same basic function that an NDRO does in larger computers except for a few major differences. The BIOS is located in the CPU/memory pcb. It is contained on one or more IC chips on the pcb, and the functions of the BIOS are initiated when the computer is powered on. Among the tasks performed are diagnostic testing, environmental inventory, and boot procedure. Figure 5-13 is a basic diagram of installing a BIOS along with the operating system into RAM of a microcomputer.

**DIAGNOSTIC TESTING.**— Diagnostic testing or Power-on Self Test (POST) is initiated when you initially power up the micro. These tests generally do the following:

- Test CPU registers and flags

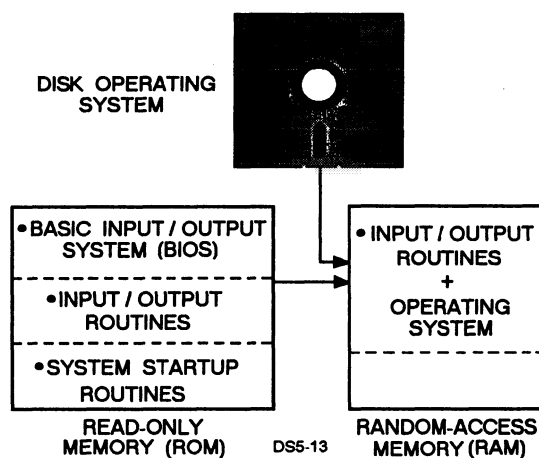


Figure 5-13.—Basic diagram of installing a BIOS.

- Compute and check a checksum for the ROM
- Check the direct memory access (DMA)
- Test the interrupt controller
- Test the timer
- Perform a checksum test on the BASIC (programming language) ROMs
- Test the video
- Test the CRT interface lines
- Test the memory
- Test the keyboard

**ENVIRONMENTAL INVENTORY.**— This portion of the BIOS includes, just as the name implies, taking inventory of the presence or absence of key items. It includes the following tasks:

- Initialize installed adapters if necessary and return to BIOS startup. Adapters include hard disk controllers, enhanced graphics adapter (EGA), and local-area network (LAN) adapters.
- Check disk controllers for floppy and hard drives.
- Determine the number of printers and serial ports attached.

**BOOT PROCEDURE.**— Once the testing and inventory are complete, batch files are executed. These are the files that have been written to execute the sequence of instructions needed when the system is powered up and the system configuration files are loaded. The ROM chip program searches for the operating system files on either the floppy drive diskette and/or the hard disk depending on the system setup. As soon as the operating system is located, it is loaded into memory and control is turned over to the operating system. To let you know the microcomputer is ready to use, an opening message (a prompt) is displayed.

### TOPIC 2—ARITHMETIC AND LOGIC UNIT (ALU)

The arithmetic and logic unit (ALU), also called the arithmetic section, is designed to perform the arithmetic and logical operations for the CPU. The data required to perform the arithmetic and logical calculations are inputs from the designated CPU registers and operands. The ALU relies on basic items to perform its operations. We have discussed some of these basic items in previous

chapters and topics. They include the number systems, data routing circuits (adders/subtractors), timing, instructions, and operand/registers.

In this topic, we discuss the instructions, timing, and operand/registers and how they apply to the ALU and the ALU operations. Figure 5-14 shows a representative block diagram of an ALU of a microcomputer. Chapter 4 of this volume and NEETS Module 13, *Introduction to Number Systems and Logic Circuits*, provide a review of number systems, adder/subtractor circuits, timing, instructions, and operands/registers. Also refer to NEETS 13 for detailed information of the types of number systems and information basic to all number systems; their identification, operations (addition and subtraction including radix-minus-1 complement and radix-minus-2 complement computations), and conversion. They are discussed in more detail, and it would benefit you to review them to gain a better understanding of how they apply in the ALU operations.

### INSTRUCTIONS

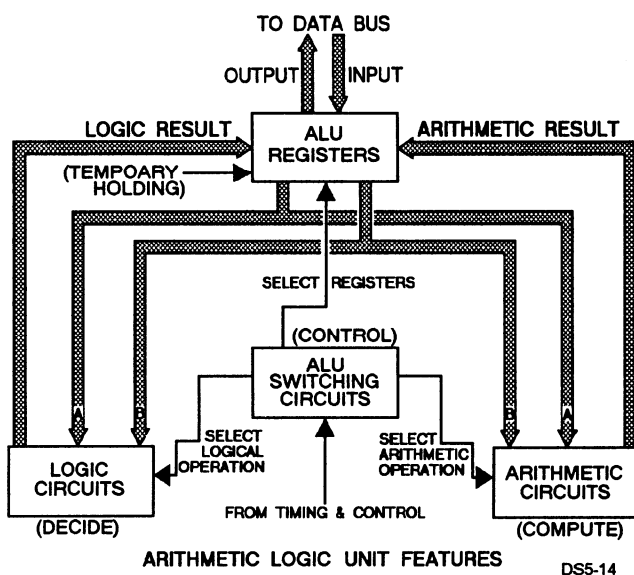
The instructions tell the CPU which type of mathematical or logical calculation the ALU will perform. They will also tell the CPU the location of the data on which the ALU will perform the calculations and where to store the results. Results can be used immediately or stored for use later. Special codes within the instructions can also affect arithmetic or logical operations. They can be used for branching or setting flag registers.

### TIMING

Timing in the ALU is provided by the CPU's timing circuits. Larger computers have their own arithmetic timing circuits independent of the CPU's timing circuits. In this case, arithmetic timing is initiated by a command from the CPU's main timing chain and the length of the arithmetic timing chain is dependent upon the specific instruction.

### OPERANDS/REGISTERS

The registers and operands provide the computer the sources of the data needed to perform the calculations. They also provide the destination for results. Computers can be designed to include the use of **whole-word**, **half-word**, and **quarter-word operands** and the use of **single-length** and **double-length word/operands** to carry out the arithmetic operations. Double-length memory words or operands will be used for mathematical operations in which the size of the result would be greater than the length of either of the two registers used to provide inputs to the ALU or the operands being input to the ALU are larger than a single word. The sign bit in double-length memory words or operands is the most significant bit (msb). **Flag registers** of one to three bits may be used by the ALU to indicate the status of the last arithmetic or logical operation. The last arithmetic or logical calculation used to set a flag register is often followed by a branching operation. Some of the items indicated by flag registers include the following:



- Equal to zero (= 0)
- Greater than (>)
- Less than (<)
- Positive sign (+)
- Negative sign (-)
- Carry or borrow
- Overflow

Other items used in the ALU include **selectors** and **counters**. The selectors are used to transfer the data between the various registers (accumulators) used in the ALU. Counters are used to keep track of shifts used in the various arithmetic and logical calculations.

Figure 5-14.—Representative block diagram of an ALU.

## ALU OPERATIONS

ALU operations in the CPU include calculations of integers and/or fractions. All the computations are performed using the binary number system. ALU operations also include **signed** arithmetic operations. First we discuss how the binary equivalents of decimal numbers are represented in **fixed-point** representation (integers), then we discuss **floating-point** representation (fractional). Fixed- and floating-point operations are important for the computer. They make the computer versatile when performing arithmetic and logical types of ALU operations.

### Fixed-Point Operations

Fixed-point arithmetic operations are performed on integral or whole numbers where the binary point is assumed to be to the right of the least significant bit (bit 0). For example, if we have an 8-bit register, we may express integer decimal numbers between 0 and  $2^8$  minus 1 (or 255), by converting the decimal number to its binary equivalent. If we have a 16-bit register, we can store integer decimal numbers between 0 and  $2^{16}$  minus 1 (or 65535). Because the binary point is fixed and always to the right of the least significant digit, fractions are not represented. The magnitude or absolute value of the number is always represented by  $2^N$  minus 1 where N is the number of bits within the register or memory cell where the number is being stored.

In fixed-point operations, the computer can perform calculations on signed numbers (positive and negative). The most significant bit (msb) is used as a sign bit. A zero (0) in the msb indicates a **positive** or true form number, and a one (1) in the msb indicates a **negative** or one's complement/radix-minus-1 form number.

When dealing with binary numbers, we can take this one step further; we find the two's complement or radix-minus-2 of the number. It is important to understand the concepts behind 1's and 2's complement. It is the basis by which the computer performs arithmetic and logical calculations. Now if you want to accommodate an equal amount of positive and negative numbers, a 16-bit register can contain numbers from  $-32768$  to  $+32767$  or  $-2^{15}$  to  $2^{15}$  minus 1. The reason they are not both  $2^{15}$  is because one combination is taken up for the zero value. This is more easily seen if we examine a 4-bit register. The combinations are shown in table 5-2.

Table 5-2.—Binary and Decimal Values of a 4-Bit Register

(MSB) Bit Position $2^3$ (Sign Bit)	Bit Position $2^2$	Bit Position $2^1$	Bit Position $2^0$	Signed Decimal Value
0	1	1	1	+7
0	1	1	0	+6
0	1	0	1	+5
0	1	0	0	+4
0	0	1	1	+3
0	0	1	0	+2
0	0	0	1	+1
0	0	0	0	0
1	1	1	1	-1
1	1	1	0	-2
1	1	0	1	-3
1	1	0	0	-4
1	0	1	1	-5
1	0	1	0	-6
1	0	0	1	-7
1	0	0	0	-8

That is, there are  $2^3$  or  $2^N$  combinations and one combination is for the number zero. Negative numbers are represented by their two's complement and the most significant bit (regardless of the word or operand size) is the sign bit. Fixed-point operations can include double-length arithmetic operations, where operands contain 64 bits and bit  $2^{63}$  is the sign bit.

### Floating-Point Operations

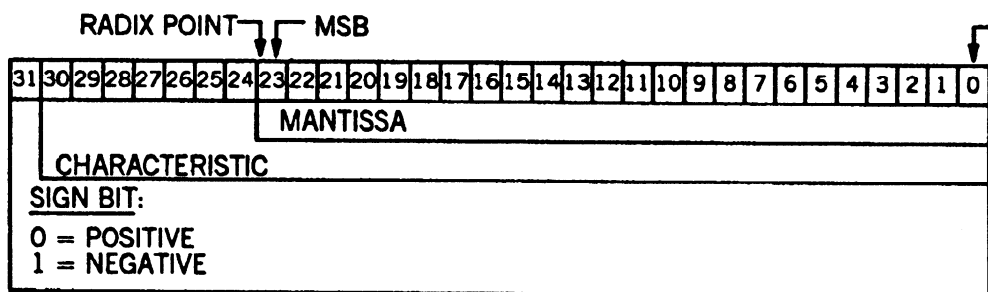
Floating-point operations are used to simplify the addition, subtraction, multiplication, and division of fractional numbers. They are used when dealing with fractional numbers, such as 5.724 or a very large number and signed fractional numbers. When performing arithmetic operations involving fractions or very large numbers, it is necessary to know the location of the binary (radix) point and to properly align this point before the arithmetic operation. For floating-point operations, the location of the binary point will depend on the format of the computer. All numbers are placed in this format before the arithmetic operation. The fractional portion of the number is called the mantissa and the whole integer portion, indicating the scaled factor or exponent, is called the characteristic.

By rewriting the number in an exponent form, it is often much easier for the computer to manipulate; but, as noted, we give up the digits that were rounded. As a result, some resolution (the number of digits in the fraction) is usually lost. For instance, the number 325786195 could be expressed as  $3.26 \times 10^8$  or  $.32579 \times 10^9$ . Still, this concept is useful. The computer, however, is limited by the hardware in the number of bits its registers and memory cells can accommodate.

**FLOATING-POINT FORMAT.**— The format for the characteristic and mantissa during floating-point operations will vary with the register size. However, the binary (radix) point is usually located between the sign bit and the msb of the mantissa. Typically,

floating-point numbers use a 32-bit word size. Let's illustrate a couple of examples—one with a fractional number and another with a very large number. Refer to figure 5-15, frames A and B, during our discussion.

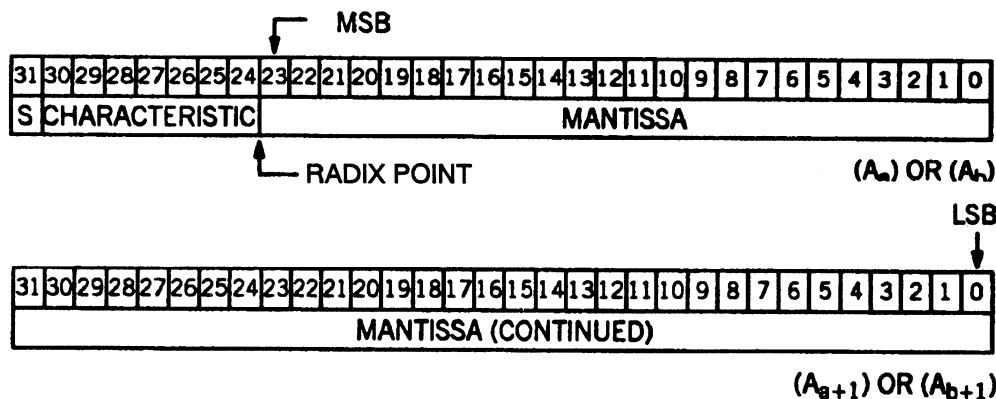
We use one's complement in our examples with 32-bit size words. We'll use the number  $6.54321^8$  as our example of a fractional number (fig. 5-15, frame A). Our fractional number will require two 32-bit words. In this case, notice the integral characteristic can have a maximum positive or negative value of  $2^{15}$  minus 1 and comprises the least significant 16 bits of the word. Bit 15 contains the one's complement sign, which is extended through the most significant 16 bits of the word. The mantissa is the fractional part of the number and is processed as a 32-bit number including the sign.



REPRESENTING THE EXPRESSION:  $V = M \cdot 16^{(C-64)}$

WHERE: M IS THE 6-DIGIT HEXADECIMAL POSITIVE FRACTIONAL MANTISSA  
 C IS THE BIASED CHARACTERISTIC (EXCESS 64)  
 V IS POSITIVE IF S = 0;  
 NEGATIVE IF S = 1.

A



REPRESENTING THE EXPRESSION:  $V = M \cdot 16^{(C-64)}$

WHERE: M IS THE 14-DIGIT HEXADECIMAL POSITIVE FRACTIONAL MANTISSA  
 C IS THE BIASED CHARACTERISTIC (EXCESS 64)  
 V IS POSITIVE IF S = 0;  
 NEGATIVE IF S = 1.

38NV0150

B

Figure 5-15.—Floating-point numbers: A. Fractional number; B. Very large number.

The second example is a very large number  $7665543322211111_8$ ; refer to figure 5-15, frame B. After the number has been put in exponent form, it, too, will require two 32-bit words.

**FLOATING-POINT PRECISION.**— Floating-point formats include the use of single- and double-precision (refer to figure 5-16, frames A and B). The names single- and double-precision imply their usefulness: **precision**. Notice the double-precision floating-point format, two 32-bit words where the characteristic is small compared to the mantissa in which precision accuracy is required.

**FLOATING-POINT ROUND.**— Floating-point operations also include **rounding** instructions, which are used for rounding the mantissa's results; rounding up when the mantissa is equal to or greater than one-half of one and rounding down when it less than one-half of one. Rounding can also be applied to double-length

results of mantissas. If the sign bit is destroyed (overflowed into) during mantissa rounding or division, the computer will make corrections to the mantissa or quotient.

**FLOATING-POINT INTERRUPTS.**— Floating-point interrupts can be generated when certain improper conditions are detected. The interrupts inform the program of these conditions and permit either notation or corrective procedures. Some conditions include:

- Underflow (negative excess) or overflow (positive excess)—When a floating-point character exceeds an absolute value of  $2^N - 1$  where N is the msb.
- Divisor —Equals zero in a divide instruction

The control section will be notified and an interrupt will be generated.

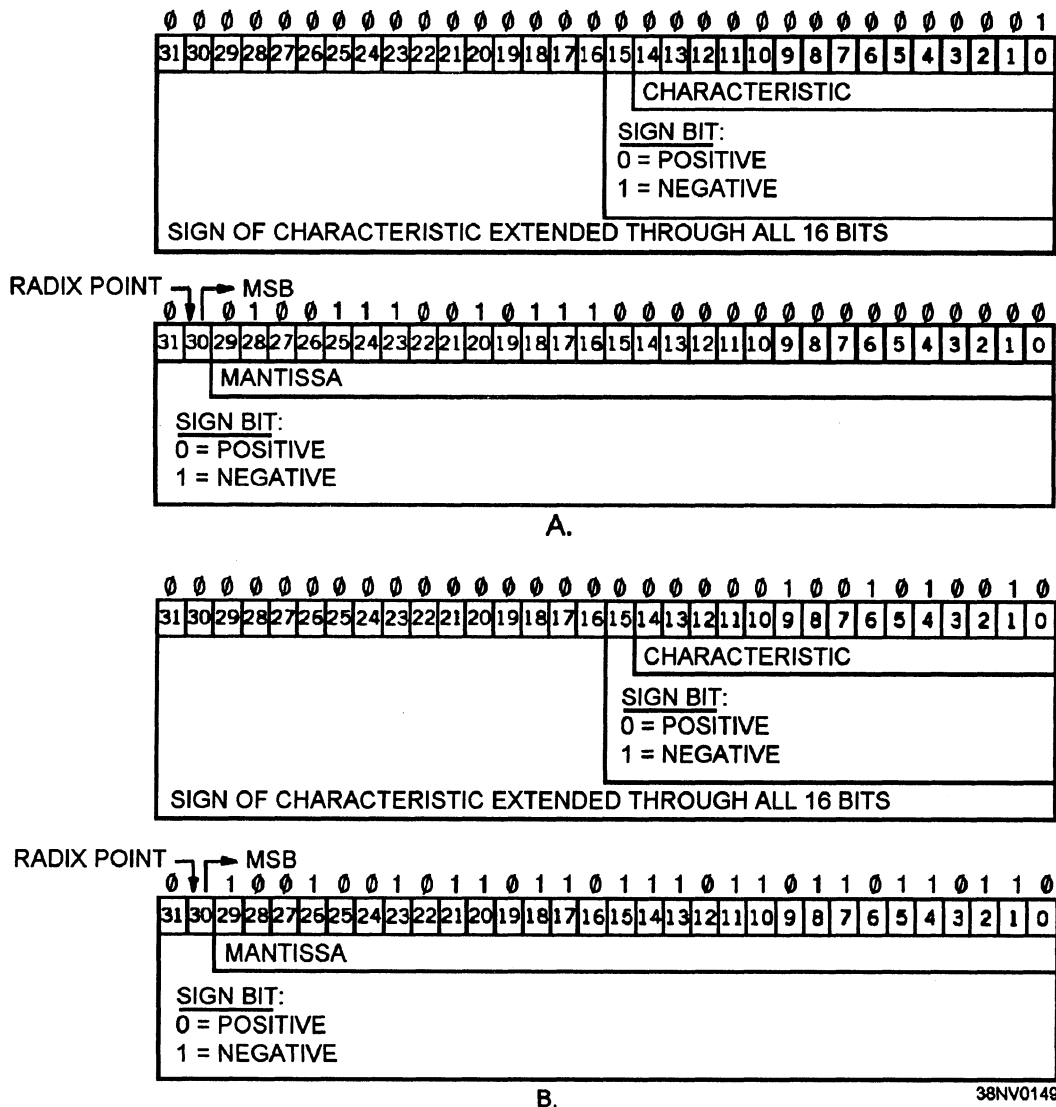


Figure 5-16.—Floating-point numbers: A. Single precision; B. Double-precision.



## Operation Types

From the simplest microprocessor (8-bit) to a large mainframe with an embedded microprocessor, the types of ALU operations range from basic add and subtract operations to sophisticated trigonometric operations and separate **coprocessor** and **math pacs**, which operate independent of the ALU. The types of instructions most ALUs can perform can be divided into two categories: **arithmetic operations** and **logical operations**. The ALU uses the logical products of the logic gates to perform the arithmetic and logical instructions. Depending on the sophistication of the computer, the logic gates are arranged to perform the instructions included in the computer's set of instructions.

Computers can be designed to have an adder to perform its adding and subtracting or a subtracter to perform its adding and subtracting. Or they can have a combined adder/subtracter system. Because a computer can really only add or subtract, the add and subtract capabilities allow the computer to perform the more complicated arithmetic operations: multiply, division, and square root functions. Addition and subtraction functions are embedded in division, square root, and the more complicated arithmetic functions, such as trigonometric and hyperbolic, to name a couple.

The computer can be designed where a single instruction will accomplish the results or a series of instructions can be written to produce the results. The only drawback to a series of instruction is they consume more time to accomplish the results. The multiply, divide, square root, and trigonometric instructions are examples.

Computers can multiply by repetitive adding or they can use a series of left shift instructions both using a compare instruction, which may be how a computer with a dedicated multiply function accomplishes the function anyway. The same principle can be applied to the divide and square root functions. A divide can use repetitive subtractions or a series of right shifts with a comparison function. A square root would use a combination of additions/subtractions and comparisons for the multiplying and dividing necessary to accomplish a square root function. A trigonometric function using separate instructions would use logical instructions to accomplish the same results that a single trigonometric instruction would accomplish. ALU operations include signed operations.

Depending on the sophistication of the computer, ALU functions can include the following functions:

- **Arithmetic** —Add, subtract, shift, multiply, divide, negation, absolute value. (The more sophisticated ALUs can perform square root, trigonometric, hyperbolic, and binary angular movement or motion (B AM) functions.)

- **Logical** —AND, OR, NOT (complement), and EXCLUSIVE OR (compare).

Also depending on the design, numeric data coprocessor and math pacs are used in some computers in addition to the normal arithmetic instructions available. They execute the arithmetic instructions the CPU's ALU cannot, and they are still controlled by the CPU's program control. These additional logic circuits can be used to amplify the capabilities of the ALU and arithmetic section in general. Remember, the ALU is part of a CPU module or a microprocessor chip on a printed circuit board. The numeric data coprocessor and math pac are separate modules or chips.

**NUMERIC DATA COPROCESSOR.**— The numeric data coprocessor is a special-purpose programmable microprocessor designed to perform up to 68 additional arithmetic, trigonometric, exponential, and logarithmic instructions. The coprocessor performs numeric applications up to 100 times faster than the CPU alone and provides handling of the following data types: 16-, 32-, and 64-bit integers; 32-, 64-, and 80-bit floating-point real numbers; and up to 18-digit binary coded decimal (BCD) operands.

The numeric data coprocessor operates in parallel with and independent of the CPU using the same data, address, and control buses as the CPU. In effect, the coprocessor executes those arithmetic instructions that the CPU's ALU cannot. The CPU is held in a wait mode, while the coprocessor is performing an operation. The CPU still controls overall program execution, while the coprocessor recognizes and executes only its own numeric operations.

**MATH PAC.**— Math pac is a module used as a hardware option for some militarized minicomputers. The math pac module provides the hardware capability to perform square root, trigonometric and hyperbolic functions; floating-point math; double-precision multiply and divide instructions; and algebraic left and right quadruple shifts.

## TOPIC 3—COMPUTER INTERNAL BUSES

To transfer information internally, computers use **buses**. Buses are groups of conductors that connect the

functional areas to one another. This is how the functional areas **communicate** with each other. A bus is a parallel data communication path over which information is transferred a byte or word at a time. The buses contain logic that the CPU controls. The items controlled are the transfer of data, instructions, and commands between the functional areas of the computer: CPU, memory, and I/O. The type of information is generally similar on all computers; only the names or terminology of the bus types differs. The name of the bus or its operation usually implies the type of signal it carries or method of operation.

The direction of signal flow for the different buses is indicated on figures in the computer's technical manuals. The direction may be **unidirectional** or **bidirectional** depending on the type of bus and type of computer. Consult the computer's technical manual for details. After becoming familiar with the basic functions and operations of buses, you'll see that regardless of the names, their basic concepts are consistent throughout the computer. They provide avenues for information to be exchanged inside the computer.

## BUS TYPES

The preferred method for data/information transfer between system components is by a common data bus. Where point-to-point data transfer is required, the digital format is the preferred method. *General Requirements for Electronic Equipment Specifications, MIL-STD-2036 series*, provides a list of the industry accepted standard internal data buses. They include the standard and the interface as follows:

- IEEE 696—IEEE Standard 696 Interface Devices, S-100
- IEEE 896.1—IEEE Standard Backplane Bus Specification for Multiprocessor Architecture, Future Bus
- IEEE 961—Standard for an 8-bit Microcomputer Bus System, STD Bus
- IEEE 1014—Standard for a Versatile Backplane Bus, VMEbus
- IEEE 1196—Standard for a Simple 32-Bit Backplane Bus, NuBus
- IEEE 1296—Standard for a High-Performance Synchronous 32-Bit Bus, Multibus II

All computers use three types of basic buses. The name of the bus is generally determined by the type of signal it is carrying or the method of operation. We group the buses into three areas as you see them in their most common uses. They are as follows:

- Control (also called timing and control bus), address, and data (also called a memory bus) buses
- Instruction (I), Operand (O), Input/Output Memory (I/O MEM) or Input/Output Controller (IOC), and Computer Interconnection System (CIS)
- Time multiplexed bus

### Control Bus

The control bus is used by the CPU to direct and monitor the actions of the other functional areas of the computer. It is used to transmit a variety of individual signals (read, write, interrupt, acknowledge, and so forth) necessary to control and coordinate the operations of the computer. The individual signals transmitted over the control bus and their functions are covered in the appropriate functional area description.

### Address Bus

The address bus consists of all the signals necessary to define any of the possible memory address locations within the computer, or for modular memories any of the possible memory address locations within a module. An address is defined as a label, symbol, or other set of characters used to designate a location or register where information is stored. Before data or instructions can be written into or read from memory by the CPU or I/O sections, an address must be transmitted to memory over the address bus.

### Data Bus

The bidirectional data bus, sometimes called the memory bus, handles the transfer of all **data** and **instructions** between functional areas of the computer. The bidirectional data bus can only transmit in one direction at a time. The data bus is used to transfer instructions from memory to the CPU for execution. It carries data (operands) to and from the CPU and memory as required by instruction translation. The data bus is also used to transfer data between memory and the I/O section during input/output operations. The information on the data bus is either written into

memory at the address defined by the address bus or consists of data read from the memory address specified by the address bus.

Figure 5-17 is an example of a computer's bus system; control, address, and data buses.

### Instruction (I) Bus

The instruction (I) bus allows communication between the CPU and memory. It carries to the CPU the program instruction words to be operated on by the CPU from memory or returns instructions to memory. The I bus is controlled by the CPU. It is capable of sending or receiving data while the operand(O) bus is receiving or sending data at the same time, but only in one direction at a time.

### Operand (O) Bus

The operand (O) bus allows communication between the CPU and memory or the CPU and an I/O Controller (IOC). The CPU controls the operation in both cases. The O bus is capable of sending or receiving data, while the I bus is receiving or sending data at the same time, but only in one direction at a time. The direction of the data depends on whether the CPU is reading data from memory or data is being written back into memory.

### I/O MEM Bus or Input/Output Controller (IOC) BUS

The I/O memory bus allows communication between an I/O controller (IOC) and memory. It is

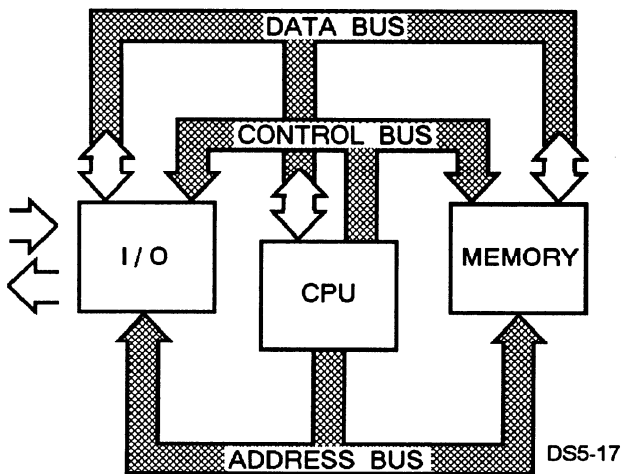


Figure 5-17.—Example of a computer's bus system; control, address, and data buses.

controlled by the IOC. To respond to the CPU, the I/O MEM bus must use the O bus.

Figure 5-18 is an illustration of communications between a CPU, memory, and an IOC without a computer interconnection system. Pay close attention to the direction of signal flow and which buses allow communication between functional areas.

### Computer Interconnection System

The Computer Interconnection System (CIS) provides the complete functional replication of the computer **intraconnection** among CPUs, IOCs, and memories in separate computers. This allows the internal buses to be extended beyond their own enclosure. The CIS consists of two independent halves: the requestor extension interface (REI) and the direct memory interface (DMI).

### REQUESTOR EXTENSION INTERFACE (REI).

— The requestor extension interface (REI) is a bus extender. It extends the bus up to 15 other computer cabinets providing an interconnected system of memory modules, CPUs, and IOCs. The REI takes the requests from the requestor ports and goes through a priority network to determine the order in which it is to respond to the requestors. Once the REI has responded to a request, it puts the address onto the output bus,

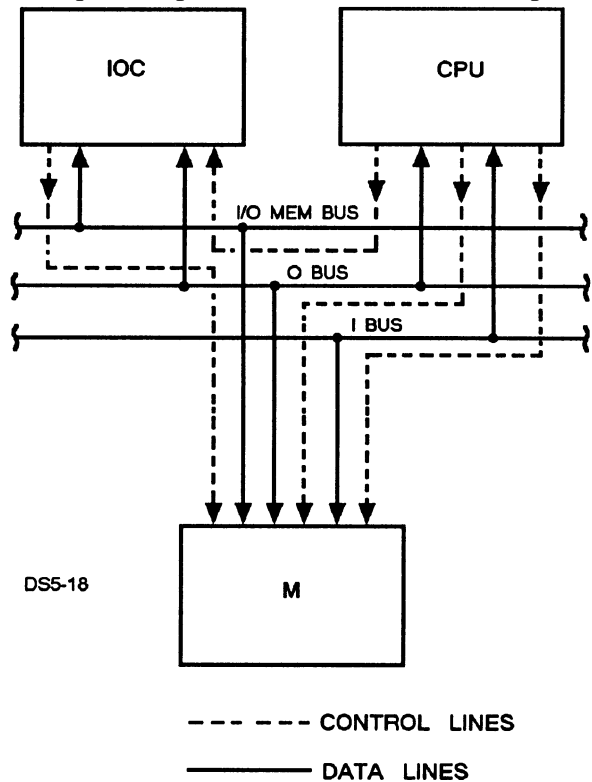


Figure 5-18.—Bus system between a CPU, memory, and IOC without CIS.

checks parity, and examines a code to determine the correct sequence. After the sequence is established, the REI broadcasts the requests and the address to all DMIs connected to it. The signals on the REI external interface are expanded to guarantee capture at the DMI operating synchronously to the REI, which can be located up to 500 cable-feet away. Once the REI makes a request, it can send write data if it is performing a write operation or wait for a response and pass it to the requestor. The REI responds to the requestor just as memory does, including faults and aborts (terminates a process before it is completed).

### **DIRECT MEMORY INTERFACE (DMI)**

**BUS.**— The Direct memory interface is a responder or slave on the REI bus. The DMI bus is used in some computers that use an I, O, and IOC bus. The DMI bus is used to send requests from other enclosures (computers) to the module (CPU or IOC) requested. It acts as the requestor and makes requests to the CPU. When it requests an IOC, it uses IOC read and write requests. When it requests memory, it uses operand read or write, instruction read, or replace.

### **Time Multiplexed Bus**

Another variation of the address and data bus is the time multiplexed bus. This single bus transmits both addresses and data using a four cycle clock (t1, t2, t3, and t4). The address is transmitted during the t1 clock cycle, the direction of data movement is selected during t2, and the data is transmitted during t3 and t4.

### **BUS OPERATIONS**

The bus control function is performed by a bus interface unit or logic circuitry similar to it. Control of a bus line and the proper protocol of requesting a bus depends on the design of the computer. In computers with no IOC, the CPU has control of the bus lines. In computers with an IOC, the CPU will control the instruction and operand buses and the IOC will control the memory buses. Bus control is necessary to handle the large number of bus transactions that take place in a very short period of time in the computer. There are basically two factors that must be taken into consideration in bus communications: **transfer priority** and **source/destination** of the data being transferred.

Bus transfers are done on a priority basis. The priorities of bus transfers are determined by the design of the computer's firmware. What part makes the request is also determined by the design of the

computer's firmware; requests may be made by a CPU, an IOC, and/or a DMI. Examples of priorities that a computer must deal with include the following (these examples are not in any type of priority and do not cover the full range of priorities you may encounter):

- Transfers from memory to the CPU, these transfers move instructions and operands to the CPU for execution and modification
- Transfers from the CPU to memory
- Transfers by the I/O in and out of memory

The specific request will identify the source and the destination of the data. The computer's controlling bus continually and repeatedly checks the bus signal lines for requests. When it receives a request, it provides the control signals needed to initiate the transfer. Since most transfers deal with memory, each transfer consists of an address exchange and a separate data exchange. The data will either parallel the address as in a write operation or move in the opposite direction after the data has been read from the memory word identified by the address.

In some computers, the bus systems use **holding registers** in both the source and destination sections to prevent data loss and to help coordinate the data exchange. In the source logic, the data is placed in a holding register until it is accepted by the destination logic. The outputs of the holding register feed the bus circuitry. In the destination logic, the bus inputs to a holding register. After accepting the data, the destination logic can then move the data from the holding register to other parts of the logic for processing.

A variety of command signal names are used to coordinate the exchange of data on the buses by both the source and the destination logic. The source logic generates a ready or signal equivalent when the data is in the holding register and on the bus. The destination logic sends an accept or equivalent signal when it has sensed the ready signal and captured the data on the bus in its holding register or other logic circuits.

### **MICROCOMPUTER ARCHITECTURE AND BUSES**

The microcomputer has uses four main types of buses. These are the

- Processor bus
- Address bus

- Memory bus
- I/O bus

The I/O bus has historically been the slowest of all buses, and the main focus when computer design engineers try to improve bus speeds.

### **Processor Bus**

The processor bus is communications path between the CPU and the main bus. It is also used for communications between the CPU and the processor support chipset. The processor support chipset includes chips such as an external memory cache and the bus controller chip found on some microcomputers. The size of the processor bus matches the size of the data words used by CPU. For example, the 80486DX chip uses 32-bit words; therefore the processor bus has 32 data lines, 32 address lines, and the control lines. The Pentium processors have 64-bit words and use 32-bit addresses. Processor buses can have a maximum data transfer rate of the motherboard clock.

### **Memory Bus**

The memory bus transfers data between the RAM and the CPU. This bus can be the processor bus or will be implemented by a dedicated chipset that controls the memory bus. In most computers that have a motherboard clock that is faster than 16MHz, a special memory controller chipset will control the memory bus.

### **Address Bus**

The address bus transfers the next memory or I/O address to be used in the next data transfer. The address bus in 486 and Pentium systems is 32 bits wide.

### **I/O Buses**

To thoroughly understand the I/O buses used in modern microcomputer systems, an understanding of the development and evolution of bus systems is required. The microcomputer's architecture is directly related to the type of buses in the computer. Originally, microcomputers used a bus system called the S-100 bus. Using this system, any board could be plugged into any open slot. The S-100 bus has 62 lines, each connect to each of the 62-pin connectors. This system dedicated eight lines for the eight data bits used in the Intel 8088 microprocessor. Twenty lines are used for memory addressing. The same 20 lines are also used to address I/O devices. A control line determines whether the data

on these 20 lines will be a memory address or an I/O address. There are also several control lines and power distribution lines.

The S-100 bus also provided four lines to designate channels for Direct Memory Accessing (DMA). A DMA channel allows a device, such as the hard drive, to transfer data directly into RAM, vice transferring data to the CPU and then having the CPU transfer it to the RAM. The DMA channel number identifies which device is requesting and transferring data on the data bus.

Buses also need to be clocked to properly transfer data. The early microcomputer buses were designed to run at the speed of the microprocessor that was installed on the board. The 4.7 MHz 8088 microprocessor clock was also used to clock the bus. The 7.16 MHz microprocessor clocked the bus at the same rate. The ISA standard set the bus clock speed at 8 MHz. To maintain compatibility with the older controller boards, this speed is still common in many computers today. This speed is fine when getting input from a mouse or a keyboard, even for most disk drives. The biggest problem with bus speeds has occurred because of the increase in video resolution, the development of video capture boards and some network interfaces.

**INDUSTRY STANDARD ARCHITECTURE (ISA).—** As the microcomputer evolved, the eight data lines and 20 address lines became insufficient to handle the increased data capacity of the 16-bit processor. This led to the development of the Industry Standard Architecture (ISA). To be compatible with the boards used in eight-bit computers, an additional 36-wire connector was added to the circuit boards and the bus. This added eight more data lines, four more address lines, four more DMA channels, and five more IRQ channels.

**LOCAL BUSES.—** A local bus is a bus that is a dedicated path between the processor and a specific board. There are several local buses built into various types of computers to increase the speed of data transfers. Local buses for expanded memory and video boards are the most common. Some high-end computers also provide a local bus for the hard drive.

The VESA Local Bus is one of the more popular buses and was developed to increase the speed of data transfer between memory and the video processing board (video graphics adapter). VESA stands for Video Electronics Standards Association. The VESA Local Bus is a direct bus that connects the video processor

with the processor bus. The VESA Local Bus operates at the speed of the video processor.

Several other bus systems have been developed, many of which have not found widespread acceptance in the PC world. Each of these has introduced some technology that is common in the modem bus systems.

**MICROCHANNEL ARCHITECTURE (MCA).**— The MicroChannel Architecture (MCA) bus was developed by IBM in 1987 and increased the bus speed to 10 MHz. The MCA Bus also introduced the ability to configure the boards IRQ and DMA channels through a software configuration program. MCA was the first system to use bus mastering. Bus mastering is a system that allows an intelligent controller board to take control of the bus system for a specified period of time. This allows operations to be completed quickly. Bus mastering differs from DMA in that DMA allows for direct transfer from a peripheral controller to RAM, Bus mastering allows for direct transfers between controllers. An example of bus mastering is the ability of a hard drive to transfer graphics directly to the graphics driver, bypassing the CPU and RAM.

The major disadvantage of MCA was that it is not compatible with the old ISA standard. Therefore, if you have an MCA machine, the old ISA controller boards will not work.

**EXTENDED INDUSTRY STANDARD ARCHITECTURE.**— To compete with MCA, The Extended Industry Standard Architecture was (EISA) developed. The EISA Bus included the following features:

- 32-bit data path
- 64K of I/O address
- Capability to address up to 4 giga-bytes of memory
- Software configuration of boards
- Bus mastering

Unfortunately, the EISA Bus still operates with an 8 MHz clock, and did not add any additional DMA or interrupt channels.

**PERIPHERAL COMPONENT INTERCONNECT (PCI).**— The Peripheral Component Interconnect (PCI) system was designed to increase I/O bus speeds while still maintaining compatibility with previous ISA and EISA boards. A PCI computer has two separate banks of expansion slots, one bank for PCI boards and one bank for the older ISA/EISA boards.

The PCI bus uses a “bridge circuit” to isolate the processor bus from the main I/O bus. This bridge circuit is designed so that I/O functions can run independently from the CPU.

The PCI bus is a 64-bit data bus, but can also support 32-bit computers. This makes the PCI bus useful in both Pentium and 486 systems. The PCI bus can operate a speed up 33 MHz and also supports bus mastering. Finally, the PCI bus supports the Plug-n-Play standard for software configuration of peripheral boards.

## SUMMARY—CENTRAL PROCESSING UNITS AND BUSES

This chapter has introduced you to central processing units (CPUs) and buses. The following information summarizes important points you should have learned:

**CENTRAL PROCESSING UNITS**— All the computational operations (logical and arithmetic) and operational decisions are made in the CPU. The CPU controls all computer operations. The CPU has a control section and an arithmetic logic unit (ALU).

**CONTROL SECTION**— The control section directs the sequence of CPU operations, interprets the instructions, and provides the timing and control signals to carry out the instructions.

**TIMING**— Timing in a computer regulates the flow of signals that control the operation of the computer. Computer operations rely on both synchronous and asynchronous operations. Timing circuits are used throughout the computer.

**INSTRUCTION AND CONTROL**— The instruction execution and control portion of the control section includes the combinational and sequential circuits that make up the decision-making and the memory-type functions. The general process of execution of a machine instruction is fetch the instruction, update the program counter or equivalent, translate the instruction, and execute the instruction.

**INTERRUPTS**— Interrupts are a method of diverting the attention of the computer from whatever process or program it is performing to handle the special condition or event that caused the interrupt signal. Interrupts allow the computer to respond to high priority demands and still be able to perform normal or lower priority processing. An interrupt is defined as a break in the normal flow of operation of a computer caused by an **interrupt signal**. The break occurs in

such a way that the operation can be resumed from the point of the break at a later time with exactly the same conditions prevailing. CPUs follow a specific sequence of events when processing an interrupt. Interrupt processing has priority over normal program execution.

**CONTROL MEMORY**— Control memory consists of addressable storage registers. It is used as a temporary storage. Access to control memory data requires less time than access to main memory. This speeds up CPU operation by reducing the number of memory references for data storage and retrieval.

**CACHE MEMORY**— Cache memory is a small, high-speed RAM buffer located between the CPU and main memory and used to hold a copy of the instructions or data currently being used by the CPU. It is used to speed up the flow of instructions and data into the CPU from main memory.

**READ-ONLY MEMORY**— Every computer is supplied with a set of software instructions to enable the computer to perform its I/O operations. These permanent instructions (routines) reside in a read-only memory (ROM). ROM is often referred to as firmware: software permanently contained in hardware. The instructions are considered permanent or nonvolatile, since they are not erased each time the computer loses power or is turned off. The ROM is tailored to system requirements and initiates the boot procedure—the steps followed when you turn on computer power.

**ARITHMETIC LOGIC UNIT**— The arithmetic logic unit (ALU) implements arithmetic and/or logical operations required by the instructions. The instructions tell the CPU which type of mathematical or logical calculation the ALU is to carry out. The

registers and operands provide the computer the sources of the data needed to perform the calculations. Timing in the ALU is provided by the CPU's timing circuits.

**ALU OPERATIONS**— ALUs can perform arithmetic and logical operations. An ALU can be designed to perform arithmetic operations in fixed-point representation (integers) and floating-point representation (fractional). The types of arithmetic operations range from add and subtract operations to sophisticated trigonometric operations. Some computers have a separate numeric data coprocessor or math pacs to perform arithmetic functions independent of the ALU.

**INTERNAL BUSES**— Buses transfer information internally in computers. A bus is a parallel data communication path over which information is transferred a byte or word at a time. The direction of signal flow may be unidirectional or bidirectional.

**BUS OPERATIONS**— The bus control function is performed by a bus interface unit or logic circuitry similar to it. Control of a bus line and the proper protocol of requesting a bus depend on the design of the computer. Bus transfers are done on a priority basis. Basically two factors must be taken into consideration in bus communications: transfer priority and source/destination of the data being transferred.

By studying this chapter, you should have learned how the CPU works through its control section and its arithmetic logic unit. You also should have learned how buses are used to transfer instructions, data, and information throughout a computer. These concepts are important to understanding how to troubleshoot and diagnose malfunctions and repair or replace CPU parts.





## CHAPTER 6

# COMPUTER MEMORIES

### INTRODUCTION

The memory of a computer holds (stores) program instructions (what to do), data (information), operands (affected, manipulated, or operated upon data), and calculations (ALU results). The CPU controls the information stored in memory. Information is fetched, manipulated (under program control) and/or written (or written back) into memory for immediate or later use. The internal memory of a computer is also referred to as main memory, global memory, main storage, or primary storage. Do not confuse it with secondary or auxiliary memory (also called mass storage) provided by various peripheral devices. In newer computers you also will encounter a number of small and independent local memories that are used for a variety of purposes by embedded microprocessors. You have already learned about cache memory that lies between the CPU and main memory.

**After completing this chapter, you should be able to:**

- Describe the organization of memory
- Describe the operation of main memory
- Recognize the types of memory and describe how they function

---

### TOPIC 1—MEMORY ORGANIZATION AND OPERATION

The main memory of a computer is used for storing programs, data, calculations, and operands. Memory is used in all types of computer systems including mainframes, minicomputers, and microcomputers. The amount of main memory each type of computer has varies according to the configuration. A wide variety of memory types is being used. To simplify our discussion, we have divided memory into two general categories: read/write (random access) memory and read-only memory. Within the read/write group, we discuss magnetic (core and film) memories and semiconductor (static and dynamic) memories. Read-only memory can be subdivided into factory programmed parts called read-only memory (ROM) and user programmable devices called programmable read-only memory (PROM). This classification system is illustrated in figure 6-1. Let's take a look at some of the terminology used with regard to the computer's memory.

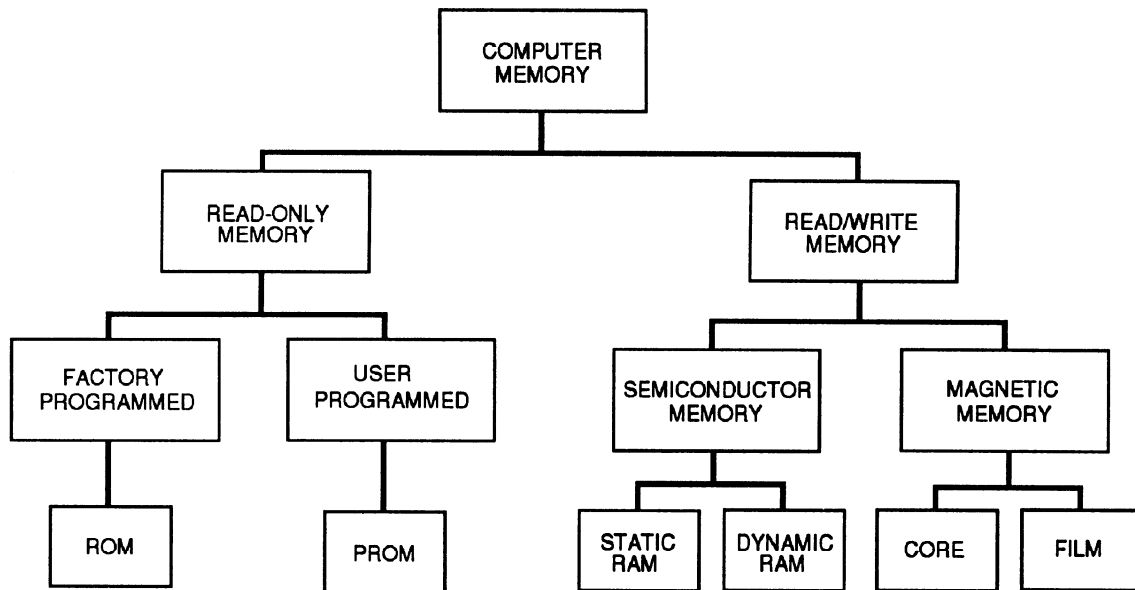
### TERMINOLOGY

The following terms need to be explained at this point:

- **Memory** —Memory generally refers to the actual hardware where the programs, data, calculations, or operands are stored.

- **Memory address** —A memory address is a particular location of a larger memory array. Usually one memory address contains one word of data. A word is one packet of information for the computer and is usually composed of many bits. Computers exist that use 1-bit words, 8-bit words, 16-bit words, 32-bit words, and 64-bit words. Handling computer data in 8-bit words is so common that the 8-bit word has its own name, the byte. Half of a byte is called a nibble (4 bits).

- **Capacity (memory size)** —Capacity is an important aspect of system performance; it is a useful and convenient way to describe the size of memory. At the individual part level, a computer's memory may be



35NVM017

Figure 6-1.—Classification system of memory.

described as containing 65,536 bits; or, alternately, it may be called an “8K by 8” memory. Most computer memory sizes are described as a specific number of words. It is assumed that the word size is geared to the particular computer that is used with the memory. Computer memory sizes are given in **K increments**, or roughly 1,000 word blocks. The exact size of a 1K block is 1,024, which is  $2^{10}$ .

- **Access time** —Access time is a measure of the time required to read from or write the data to a particular address in the memory. It is the interval from the instant at which a request for data is initiated until the data is available for use. It can range from a few nanoseconds (ns) to microseconds ( $\mu$ s).

- **Destructive readout** —When data is read from memory, the stored data is extracted (removed) from memory and in the process the data is erased in the source. Because the data is lost, the process is referred to as destructive readout. If it is desired to restore the same data at the same storage location, the word must be rewritten after reading. Read/write memory such as a core memory is an example of destructive readout.

- **Non-destructive readout** —If the data in a memory is not destroyed in the reading process, the system has non-destructive readout. This means the data can be read over and over again without being rewritten. A flip-flop is an example of nondestructive readout. Sensing the output voltage (reading) from a given side of a flip-flop generally does not change the state of the flip-flop and the stored data is retained.

- **Volatile memories** —Volatile memories are memories that lose their contents when the **power** is turned off. A semiconductor memory is an example.

- **Nonvolatile memories** —Nonvolatile memories are memories that do **not** lose their contents when power is removed. Core memory is an example.

## MEMORY ORGANIZATION

Memory organization is two-fold. First we discuss the hardware (physical) organization, then the internal architecture. The type of computer and its size do not reflect the type of memories that the computer uses. Some computers have a mixture of memory types. For example, they may use some type of magnetic memory (core or film) and also a semiconductor memory (static or dynamic). They also have a read-only memory which is usually a part of the CPU.

Memory in a computer can vary from one or more **modules** to one or more **pcb's**, depending on the computer type. The larger mainframe computers use the modular arrangement, multiple modules (four or more), to make up their memories. Whereas, minicomputers and microcomputers use chassis or assemblies, cages or racks, and motherboard or backplane arrangements. Minis and micros use multiple components on one pcb or groups of pcb's to form the memory.

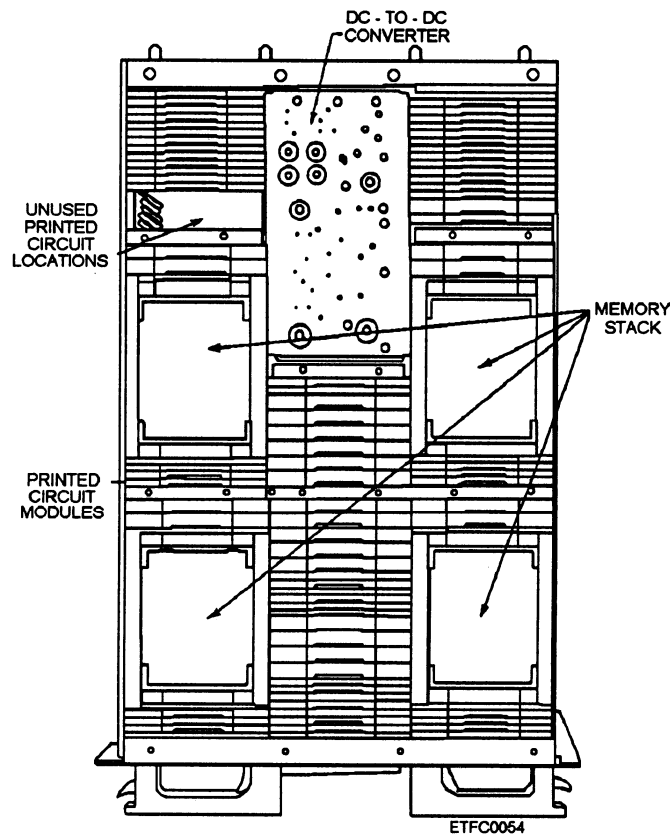


Figure 6-2.—Memory module/unit.

## Memory Modules

Memory modules are made up of multiple pcb's (support circuitry) and memory components (stacks [core or film] or semiconductor pcb's with support circuitry) to form one memory **module** or **unit**. Figure 6-2 is an illustration of a large memory module; one of four to a single computer set. Memory modules are interchangeable with other modules of the same type and size in the same computer set. Each module provides a fixed number of memory words with a fixed number of bit positions for each word. Some memory modules are designed with the capability to receive requests from more than one central processing unit or I/O section. These **multiported memory modules** process memory requests on a priority basis. While the module is processing a request from one section, the remaining possible requesters are locked out, so to speak, by the module logic until the completion of the pending request. If two requests are received simultaneously, then the highest priority requester is cycled first. Memory modules may contain magnetic or semiconductor memory types. Some computers use both but in different modules. The size of memory in terms of bits and arrangement contained on each of these types depends on the requirements and design of

the computer. Consult your technical manual for the exact size and arrangement.

## Memory Pcb's

Computers that use a small number of pcb's as their memories are usually of the semiconductor type. In mainframe semiconductor memory, pcb's and support circuitry are contained in a module or unit. In minicomputers and microcomputers, memory can be contained on as few as one pcb, or as many as half-a-dozen pcb's. When there is more than one pcb, they are usually arranged in a group together in the computer's frame or cabinet. Micros can also use a bank of IC chips for their memories. The IC chips are mounted on single inline memory modules (SIMMs) (fig. 6-3), single inline packages (SIPs), or single inline

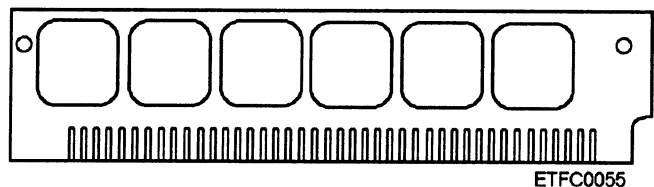


Figure 6-3.—Illustration of a 30-pin single inline memory module (SIMM).

pin packages (SIPs). Memory pcb's also operate on a request basis, but unlike memory modules, there is not a priority sequence to go through. The request is made by requestor, the control circuitry selects either a read or a write operation, and the timing circuitry initiates the read and/or write operations.

### Memory Architecture

The memory architecture, regardless of the memory type, is consistent. Memories are typically organized in square form so they have an equal number of rows (x) and columns (y) (fig. 6-4). Each intersection of a row and column comprises a **memory word address**. Each memory address contains a **memory word**. The selected memory address can contain one or more bits. But for speed and practicality, for a given computer design, the word size typically relates to the CPU and is usually the size of its registers in bits. Word sizes typically range in increments of 8, 16, 32, or 64 bits. Figure 6-5 represents an address with an 8-bit word. The methods used for the arrangement of the rows and columns vary in a given type of memory. The rows and columns are arranged in arrays, memory planes, or matrices.

### MEMORY OPERATIONS

Memories operate on a request, selection, and initiate basis. A memory request or selection and a memory word location are transmitted from the

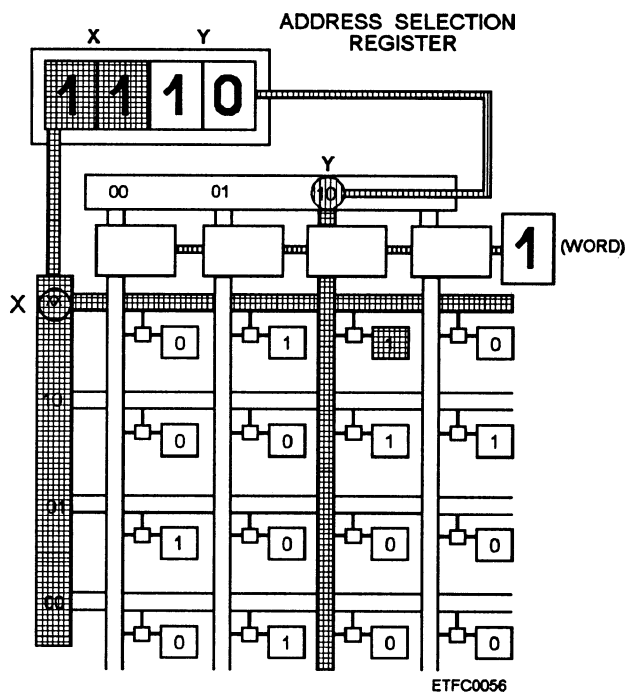


Figure 6-4.—Row (X), column (Y) organization.

requestor (CPU or I/O sections) to the memory section. The computer's internal bus system transmits the memory request or selection and location to the memory section. The memory operations, regardless of the computer type, share some basic commonalities. Key events must occur to access and store data in memory. Some items only occur with certain types of memories, and we discuss these as you study each different type of memory. We also discuss the items that are common to most memories: **control circuits**, **timing circuits**, and **memory cycle**. In addition, we present methods used for **detecting faults** and **protecting memory**.

### Memory Interface Circuits

The memory interface circuits include all the lines of communication (buses) and the interfacing register between the requestor (CPU or I/O(C)) and memory. The communications lines include some of the following:

- Data (bidirectional bus)
- Control lines (write byte and interleave [for large computers])
- Memory request
- Read and write enables
- Data ready
- Data available

The **interface (data) register** (often designated as the "Z" register) functions as the primary interfacing component of memory. Before the read/write operation, this register transfers the selected memory address to the **address register**. All data entering and leaving the memory is temporarily held in this data register. In a write operation, this register receives data from the requestor; and in a read operation, this register transmits data to the requestor. For computers with destructive readout, it routes the data back to memory to be rewritten.

### Control Circuits

The control circuits set up the signals necessary to control the flow of data and address words in and out of memory. They screen the request or selection by units external to memory—the CPU and/or IO(C). Depending on the computer type, some of the more common uses of the control circuits include:

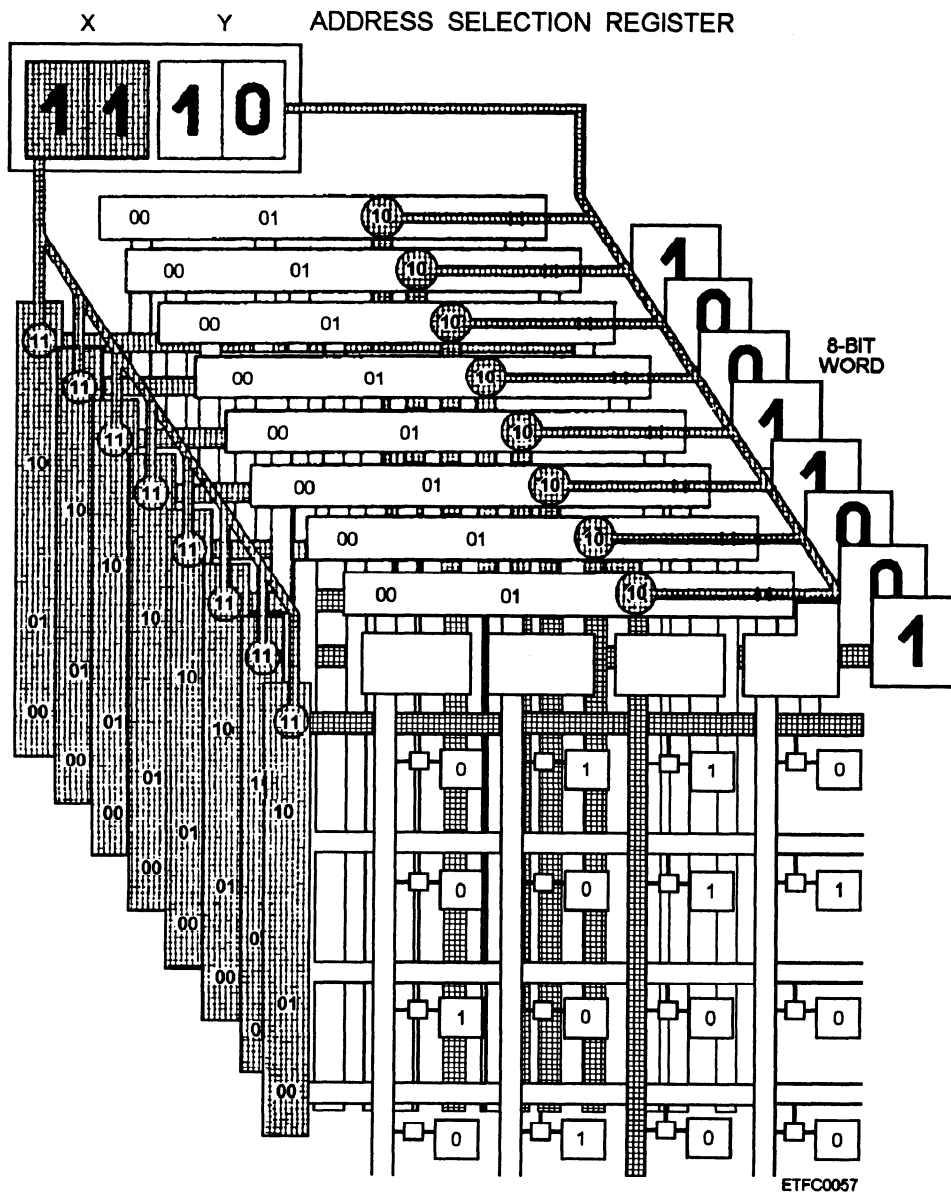


Figure 6-5.—Memory address with an 8-bit word.

- Logic that evaluates priorities of memory requests
- Logic that selects read/write operations
- Interface logic that acknowledges reading data from memory and generates enables that write data into memory

### Timing Circuits

The timing circuits provide the enables to manage the control circuits of the memory cycle—read and/or write. For some computers, this means use of the computer's master clock and one or two other timing signals derived from the master clock to control the flow

of data in memory. Microcomputers are an example of this. In more complex computers, each of the functional areas has its own master clock and timing circuits. Memory timing is usually initiated only when a read/write operation has been requested or selected. Some of the more common uses of the timing circuits are as follows:

- To initiate read and/or write operations
- To clear registers used for read/write operations
- To enable selection of memory address using selectors and translators
- To enable and strobe or gate memory address and data into registers used for read/write operations

## Memory Cycle

Main memory is a read/write memory that allows data to be retrieved (read) and stored (written) in what is known as the **memory cycle**. The memory cycle includes reading the data out of memory and/or writing the data into memory, either by a read/write operation or by separate read and write operations. The memory cycle is based on fixed (constant) time periods for reading and/or writing data from and into memory. As soon as read and/or write operations are initiated, almost simultaneously, **address translation** occurs, then the **read** and/or **write** cycle or cycles begin.

**MEMORY ADDRESS TRANSLATION.**— One of the most important processes that must occur before a read or write cycle begins is the memory address translation. Look at memory as a sequence of memory locations starting at address 0 and extending to the maximum memory address available to the requester (CPU or IO(C)). Receiving or sending mail uses a similar concept. Before mail can be received or sent, there must be an address on the envelope. Memory uses the same principle. Memory logic identifies the memory address where a memory word is to be read from or **written** into in memory. A memory address can be anyone of the entire range of memory addresses (0 to maximum). To identify the desired memory address, the memory logic uses a register designated as the address register and/or translators or decoders. The memory logic receives the logical address from the CPU or I/O and temporarily stores it in the address register, and then converts it to a physical address that can be read from or written into.

**Memory Address Register and/or Translator (Decoder).**— The address register and/or translator identifies the exact location from which to read the bits or write them. The contents of the address register or translator identifies the memory address. The memory logic is designed to make its selection based on the type of memory it uses. It can be designed to identify a memory address of a single memory pcb or it can be designed to identify an address located in one of four or more memory modules.

**Memory Address Word.**— As stated in the architecture of memory, the word contained in the memory address can be one or more bits, most computers have words with at least 8 bits and some up to 128 bits in length. Variations of reading and/or writing from and to memory can include the upper or lower half of the word, or any other variation within the design of a given computer. Variations are based on the

instruction types and the program. Also, if a computer is identified as an 8-bit computer and a 16-bit word is required for a read or write operation, then two consecutive memory addresses would have to be used to complete the operation. There are many other variations; the instruction repertoire set of your computer and the technical manual will provide details of your computer's memory operations and limitations.

Here are two examples of memory address translation. For the first example, use figure 6-6 as a reference; it shows a 4-bit memory address. The memory address register or translator contains 16, as follows:

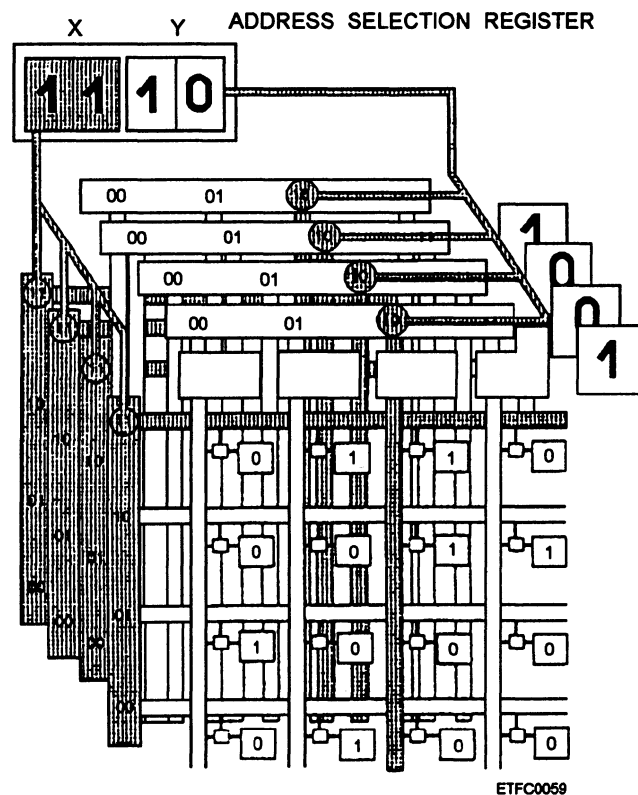
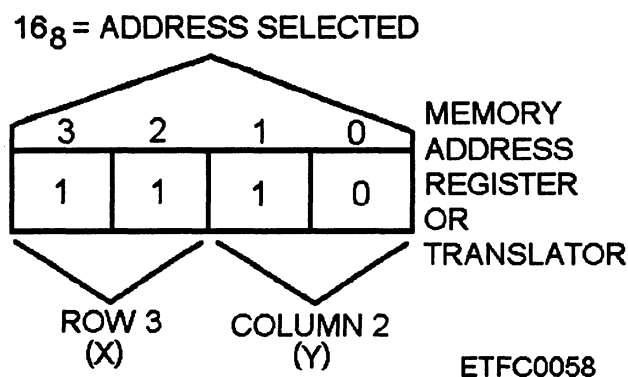


Figure 6-6.—4-bit address.

For our second example, refer to figure 6-7. It shows an 8-bit memory address, a memory module decoder, and four memory modules (each with 100<sub>8</sub> addresses). In the figure, the memory address register or translator contains 372<sub>8</sub>. When a memory reference takes place, the address translation logic decodes the two most significant bits of the 8-bit logical address to determine and select the applicable memory module. The lower six bits of the logical address are passed to all the memory modules to determine the row (x) and column (y) intersection, but only the selected memory module decodes the address. In this example, memory address 72<sub>8</sub> of memory module 3 is addressed. This means a word will be read from (or written into) this address. The following is a breakdown of the address:

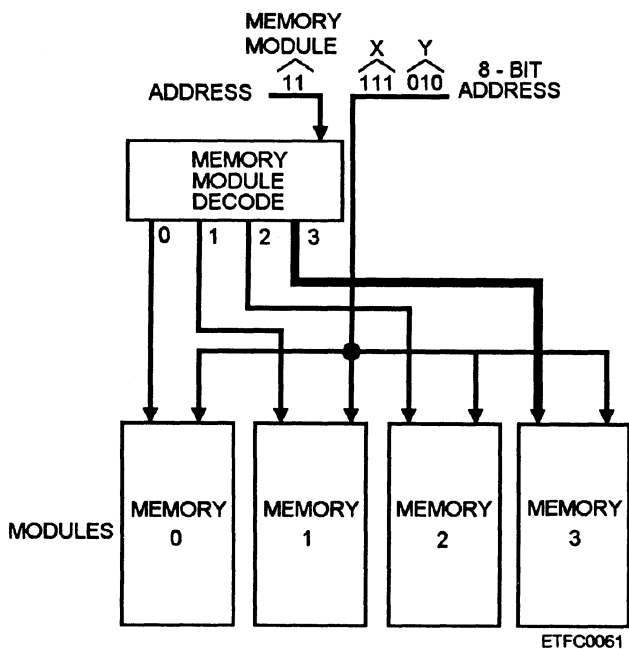
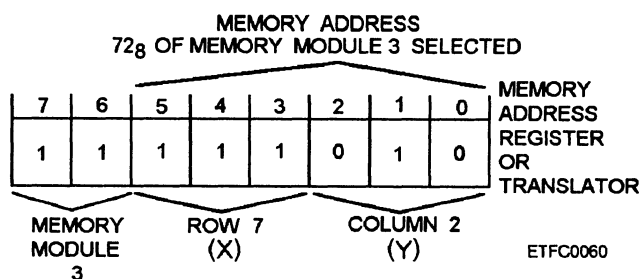


Figure 6-7.—8-bit address with memory module.

**READ CYCLE.**— Processing a read request requires memory to read data from the addressed memory location and transmit the data via a bus to the requesting section of the computer where it is used for calculations or output to another device. The information read from memory can be part of a program, general data, calculations, or operands.

Remember, information read from a destructive readout memory has to be written back into memory or it will be lost. Also remember, for some memory types, read and write operations are separate. Depending on the computer's instruction set, the information can be read from anywhere in memory or any part of a memory address.

**WRITE CYCLE.**— A write request, on the other hand, causes memory to accept information from a bus and to store (write) the information in the addressed memory location. Again the information can be part of a program, data, calculations, or an operand. The information can come from the CPU or another device. For those memories that are destructive, the write cycle is a must to retain the original data after a read. Otherwise, it is a separate operation. Just as in a read cycle, the computer's instruction set allows the information to be written into any memory address or part of a memory address in a read/write memory.

**INTERLEAVE.**— A large memory may be organized in several modules, each covering a portion of the addressable space. The effective speed of this memory can be increased if memory access cycles in different modules are overlapped. In such a system, the CPU requests a read or write operation in one module. Then, it requests other memory operations in other modules before the result from the first module becomes available. Because program instructions are usually fetched from successive locations in the main memory, overlapped operation may be achieved by arranging memory addresses such that successive addresses refer to different modules. For example, if there are four modules, the first module should contain words 0, 4, 8, . . . etc; the second module words 1, 5, 9, . . . etc; and so on. The increase in speed with memory interleaving is achieved at the expense of increased complexity in the CPU and memory control circuitry.

### Memory Fault Detection

A variety of methods is used to ensure the accuracy of data written into and read from the memory section. The methods include parity check and error bit detection and/or correction.

**PARITY CHECK.**— Parity check is one of the simplest methods used to detect read/write errors in core memory. The strategy is simple; the computer counts the number of ones in a memory word, then adds an extra bit to make the total number of ones either an even number or an odd number depending on whether the

computer uses even or odd parity. The process relies on the exclusive-OR operation to count the ones. Parity checks are designed to identify the loss (1 to 0) or gain (0 to 1) of a single bit during the read/write process. When the data is read from memory, it is checked for an even number of bits for even parity computers or an odd number of bits for odd parity computers. A difference causes the generation of a **parity error signal** or other type of error to the requestor. If no error condition exists, the parity bit is dropped and the computer continues processing. Parity checks do not provide for correction of the error condition.

**ERROR BIT DETECTION AND/OR CORRECTION.**—Newer computer designs use error detection and correction circuitry for their semiconductor memories, modules, or pcb's. The error detection and correction circuits allow for the detection and correction of single bit errors and the detection of double and sometimes 3-bit errors during read/write operations.

The error detection and correction circuits use a **Hamming code** to identify the configuration of ones and zeros stored in a particular memory location or group of bits. Additional storage for check bits is required for each memory address. The number of check bits varies with the number of data bits being tested. For instance, six check bits are used for a 16-bit data word. The check bits are generated by the error detection and correction circuits during the write operation and are written into the memory address with the data.

During read operations, the stored check bits are compared with the error detection and correction generated check bits of the data read. Differences in the check bit patterns can be used to correct single bit data errors and at least identify the presence of double bit or greater errors. The error detection and correction circuitry will indicate the detection of any error to the CPU. In computers with the error detection and correction capability, the correction circuits can be enabled or disabled by CPU instruction. The error detection circuits, however, function at all times.

## Memory Protection

Many computers provide controlled access to specified segments of memory through the use of memory protection registers. The **memory protection register set** (usually three registers) is used to restrict read/write operations in the protected area. In one form of the memory protection register set, the boundaries of

the protected area are defined by the **memory protect lower limit register**, which contains the lower boundary address and the **memory protect upper limit register**, which contains the upper boundary address. All addresses between the upper and lower limits are protected. The memory protection control register contains three control bits that determine the allowable operations in the protected area. The memory protection control bits are set (1) to allow each of the following three operations (in any combination):

- Read instruction (execute protected)
- Read operand (read protected)
- Write operand (write protected)

After a request has been accepted, the memory protection logic checks the address to determine if it is in the protected area. If the address is within the boundaries, the operation being requested is checked to see if it is allowable. An allowable operation is executed. In the event an attempted operation is not allowed, a **memory protect fault interrupt** is sent to the requestor. Other forms of memory protection registers identify the following:

- Starting address
- Block size (number of addresses)
- Protection function

The basic protection functions are the same for all computers; however, some computers may have an additional control bit to allow indirect addressing within the protected area.

Another form of memory protection called **memory lockout** is used by larger computers to prevent access to particular areas of memory by task state instructions. Memory lockout prevents task state programs (application programs) from accessing segments of main memory reserved for interrupt processing and other executive functions. The lockout feature is disabled when the CPU enters a particular executive or interrupt state and enabled when the CPU enters the task state.

## MEMORY TYPES

As stated at the beginning of this topic, we have divided the memory types into two categories: **read/write** and **read-only** memories. You will learn more about these in the next two topics.



## TOPIC 2—READ/WRITE MEMORIES

In read/write memories, the data can be retrieved from memory, altered, and written back into memory. This can be done either independent of a write operation or as part of the first half of a read/write operation where the information must be rewritten back into memory to restore the original data. Read/write memories are random access in nature. They are categorized according to the materials they are constructed from; not by their basic operations. Their physical makeup can be **magnetic** or **semiconductor**. Both types have advantages and disadvantages. Semiconductor memories cost less, are faster in terms of storage and access time, and use nondestructive readout. They also require less space for the same number of bits as a magnetic memory. Magnetic memories are relatively low in cost, require less power, and are nonvolatile (they retain the information after the power is removed).

In our discussion of the two types of memory, you will study specifics about their **architecture**, **address selection**, and **read/write cycles**; how address selection and the read/write cycle are performed; and any circuitry that is peculiar to that type of memory. First we discuss two types of magnetic memory (core and film), then semiconductor memory.

Magnetic memories use magnetic material as a means of recording binary data. Basically, a magnetic field is applied to a memory cell (bit); the magnetic field is generated by passing a current through the conductor. Magnetic memory is a **non volatile** form of storage. It retains its magnetic state (direction of flux lines) in the absence of current flow through the conductors on which the core or film is assembled. Only current flow in the opposite direction of sufficient magnitude to overcome the magnetic field of the core or film and to magnetize it in the new direction will change the state of the core or film. Loss of power should not cause loss or the data retained in core or film memory.

The major difference between core memory and film memory technology is the physical structure of the material used. Mated film memory is easier to magnetize, which increases the speed of read/write operations. Also, less power is required for these operations. Mated film memory is also more compact and durable, and twice as many mated film memory cells can be put in the same space as ferrite core memory cells for the same amount of power.

## CORE MEMORY

Core memory is used as one of the primary storage media of digital computers. It is used primarily on large mainframes and minicomputers. Depending on the mainframe or minicomputer, core memory is contained in **memory modules**; usually two to four large memory modules to a mainframe computer set or one to four small modules in a minicomputer.

### Core Architecture

Magnetic core storage is composed of hundreds of thousands of very small doughnut-shaped **ferrite cores** (fig. 6-8). The ferrite cores are strung together on grids of very thin wires known as **core planes**. Each core can store one binary bit (0 or 1) of data. A core is magnetized by current flow through the wires on which the core is strung. A core magnetized in one direction represents a binary zero, and when magnetized in the opposite direction, a binary one. The direction the core is magnetized is dependent on the direction of current flow through the wires on which it is strung. Figure 6-8 shows the magnetization of a core based on the direction of current flow.

**CORE WINDINGS (FOUR-WIRE).**— Magnetic cores are strung on several fine wires to allow for the reading and writing of data in core. Two basic methods are used to string cores, the four-wire method and the three-wire method. Core windings strung through each core using the four-wire method consist of 2 drive lines (X and Y), 1 sense line, and 1 inhibit line.

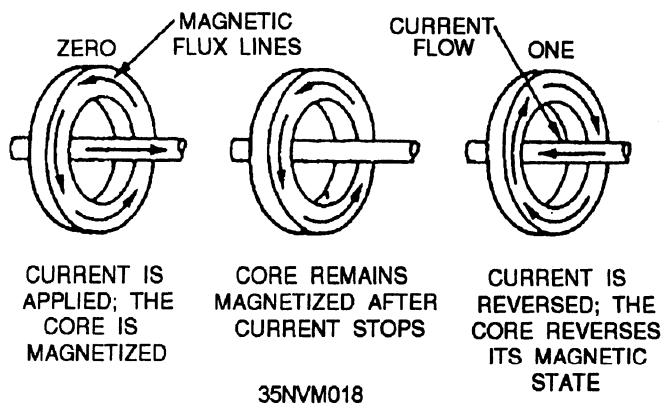


Figure 6-8.—Magnetizing a ferrite core.

An example of a four-wire core with all windings is shown in figure 6-9.

- **Drive lines** —Each drive line provides 1/2 of the current necessary to change the state of the core. In other words, current must flow in the same direction in both drive lines to change the direction of magnetic flux in the core (zero to one or one to zero).

- **Sense line** —The sense line is used when reading data from cores. The sense line detects the change in state of the core from one to zero.

- **Inhibit line** —The inhibit line is used during the write or restoring process. Current flow in the inhibit line opposes or inhibits the drive line currents attempting to change a core from zero to one. Simply put, the inhibit line inhibits writing ones.

**THREE-WIRE CORES.**— A three-wire core uses a digit line, a word line, and a sense line. The digit and word lines combine to perform the functions of the X and Y drive lines and the inhibit line. The sense line performs the same function as in the four-wire cores.

**CORE STORAGE LAYOUT.**— As each core can store but one binary bit of data, large numbers of cores are required for effective storage of large amounts of data. Core storage or core memory is designed to store a fixed number of **memory words**. Each core stores

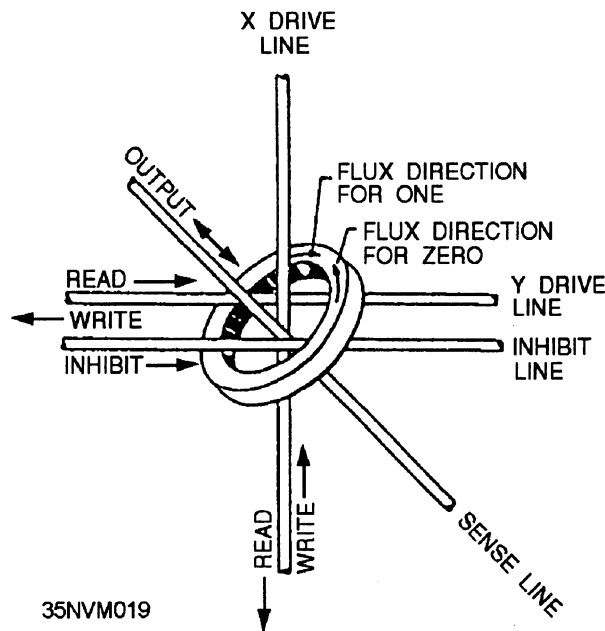


Figure 6-9.—Four-wire magnetic core.

one bit position of one of the memory words. The length of a memory word (number of bit positions) varies from system to system, but common lengths include 8, 16, 32, and 64 bits. The size of core storage, or its **memory capacity**, is determined by the number of memory words that can be used or addressed to store and retrieve data. To accommodate the memory capacity of any size, the memory words are organized into **matrices**.

**Matrices.**— Magnetic cores are arranged into matrices to simplify addressing, reading, and writing operations. An example of a basic four-wire magnetic core matrix is shown in figure 6-10. Each core in the matrix must have 2 drive lines (X and Y), an inhibit line, and a sense line intersecting through the center of the core. The most common four-wire core matrix is the 64 by 64 **array**. We base our discussion of matrices on this size.

**Arrays** — A 64 by 64 array contains 64 X drive lines and 64 Y drive lines. By selecting one X drive line and one Y drive line, read and write current can be applied to any one of the 4096 ( $64 \times 64 = 4096$ ) cores in the array. As each drive line contains 1/2 of the read or write current, only the core with full read or write current passing through it will be switched. The inhibit line is threaded in parallel with the X or Y drive lines.

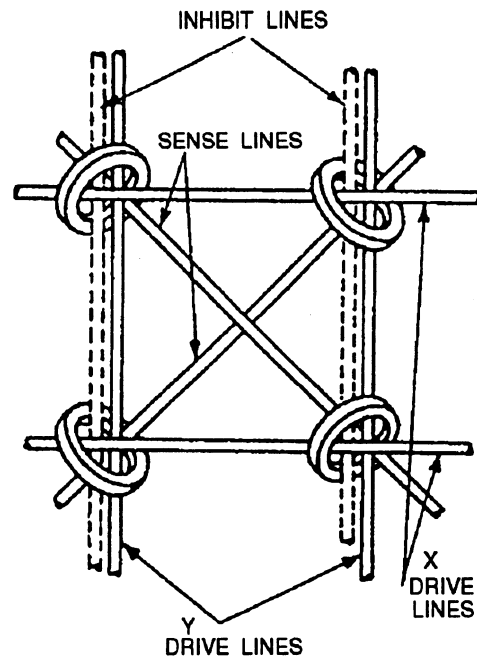


Figure 6-10.—Four-wire magnetic core matrix.

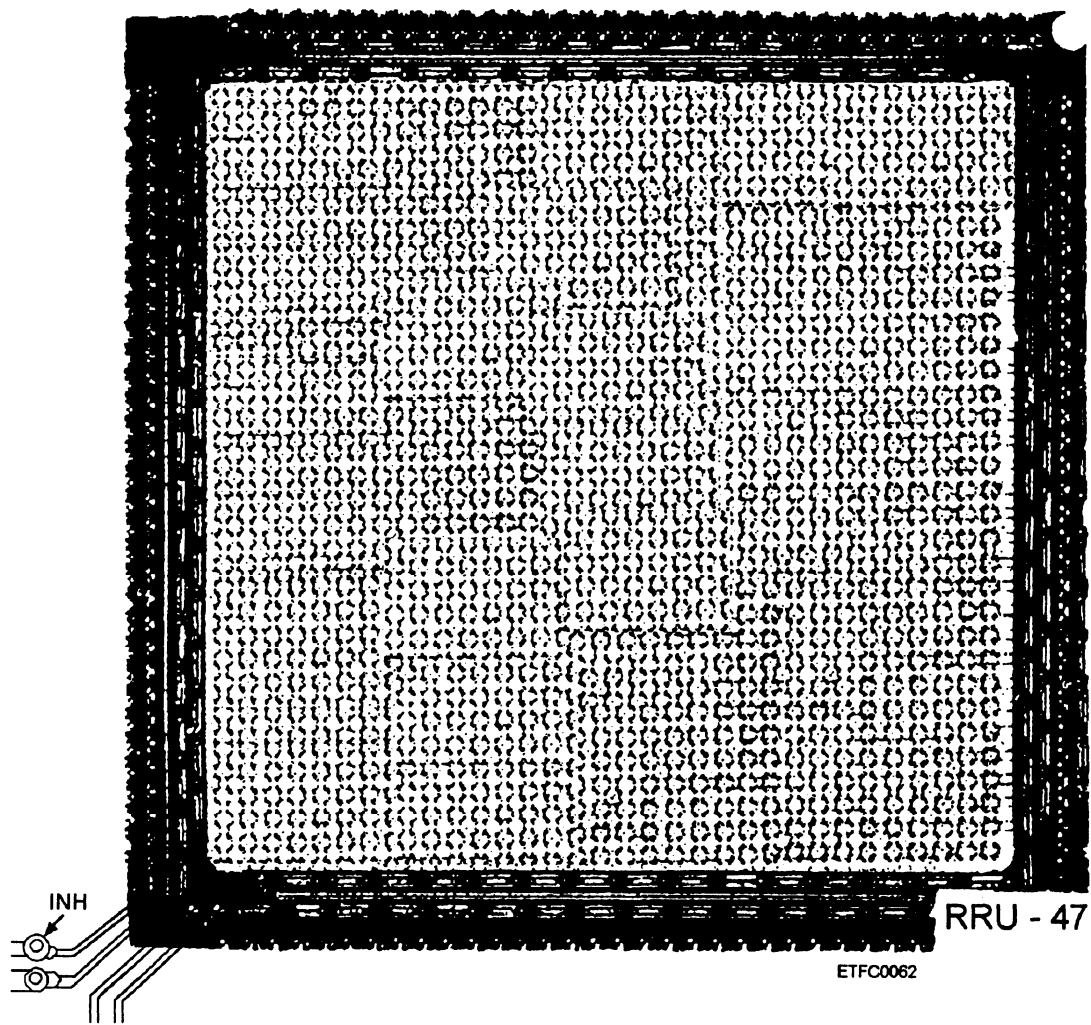
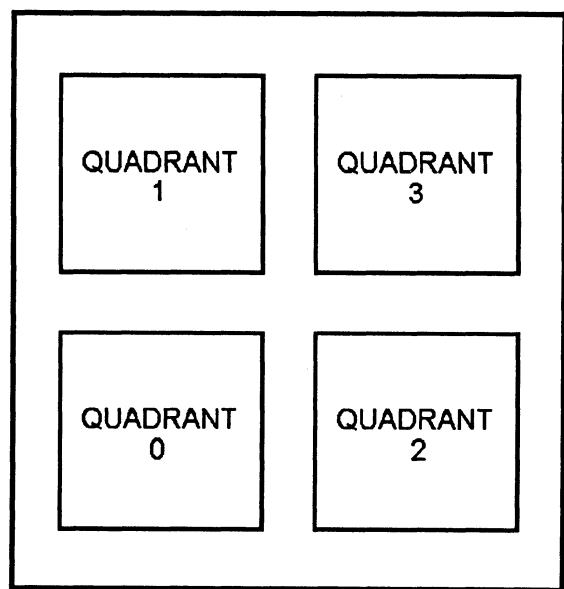


Figure 6-11.—64 × 64 array memory quadrant.

The sense line is threaded through all the cores in the array. One 64 by 64 array forms one quadrant of a **memory plane**. Figure 6-11 is an illustration of a 64 × 64 array.

**Memory Plane.**—Each quadrant of a memory plane (four in each memory plane) contains one bit position of 4096 memory words. An example of a memory plane is shown in figure 6-12. Each memory plane will provide 4 bit positions (one for each quadrant) over 4096 addresses when using 64 by 64 arrays. The memory plane is the basic building block of the **memory stack**.

**Memory Stack.**—The memory stack contains all the core of the device and the associated circuitry, which includes the X and Y drive lines, inhibit lines, and sense



ETFC0063

Figure 6-12.—Memory plane.

lines. Figure 6-13 is an illustration of a portion of a core memory plane in a stack. Each stack contains a temperature sensor to detect temperatures in the stack. The memory capacity of a core storage device is determined by the number of memory planes in the memory stack. By varying the number of X and Y drive lines in each array (64 by 64, 128 by 128, and so on) and the number of memory planes in a memory stack, great flexibility can be achieved in the design of a core storage device's memory word length and number of addressable memory words. Stacks are usually divided into an **upper** and **lower** configuration for address selection and bit storage.

Three-wire magnetic core matrices allow for greater numbers of cores because less wiring is required. A single three-wire memory plane can provide 9 bits of storage over 32K addresses. Three-wire memory planes (core modules) are known as large plane memory.

### Core Address Selection

The address selection process in core memory requires some unique circuitry. Because of the complex design of core memory, the address register and the translator use selectors and drivers to select the correct memory address. The address register bits are used to translate the bits to make the following address word bit selections:

- X and Y secondary selection
- X and Y primary selection

- X and Y diode selection
- Stack selection
- Inhibit half stack upper and lower

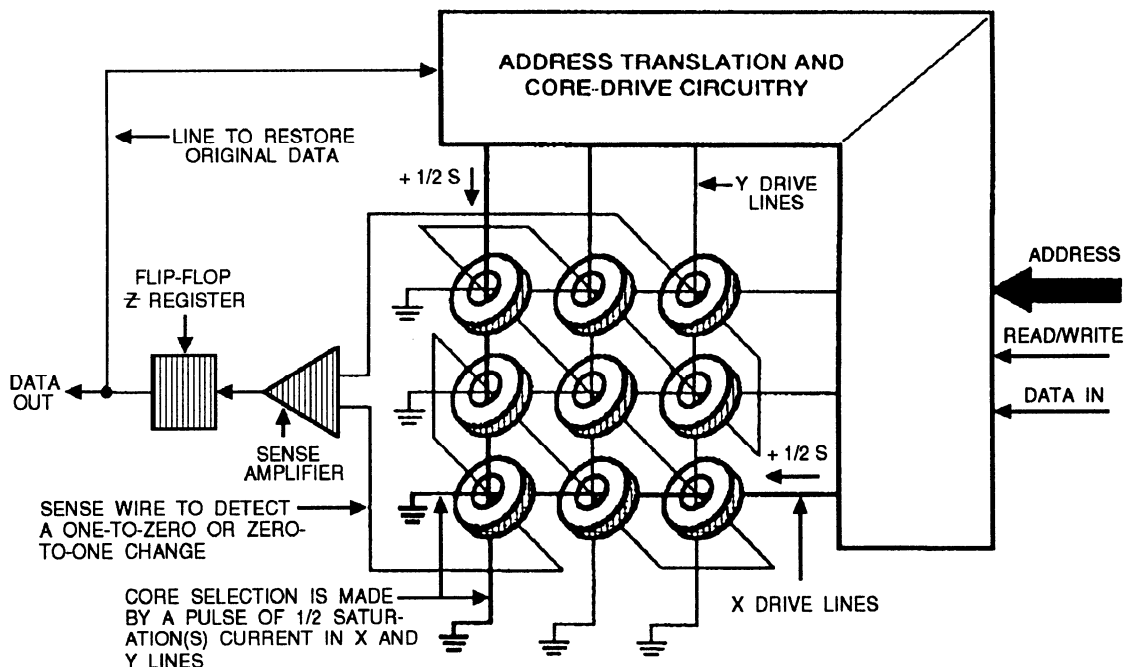
The circuitry associated with the address word bit selection includes the following:

- X and Y secondary selectors—provide enables for the secondary X and Y drive circuitry
- X and Y primary selectors—provide enables for the primary X and Y drive circuitry
- X and Y read/write diode selectors—enable the X and Y read drive line or the X and Y write drive line for one of four quadrants in all four of the memory stacks
- Inhibit selectors—activated only when writing zeros

### Core Storage Read/Write Cycle

A cycle of events takes place whenever data is stored in or retrieved from core. Let's take a look at how data is read from core memory and then written or restored back into core memory.

**READ CYCLE.**— To determine the state of a core, **read current** is applied to both drive lines (X and Y or digit and word) passing through the core or cores addressed. Read current is designed to change the state



35NVM021

Figure 6-13.—Portion of a core memory plane in a stack.

of the core(s) to zero. If the core(s) had been in the one state, the sense line would pick up the change in flux direction from one to zero and indicate that a one had been stored in the core. At the completion of the read operation, the core or cores addressed are left in the zero state (three or four wire). The contents of the cores sensed by the read current would be temporarily stored in a register. This process of reading cores to the zero state is known as a **destructive readout**. Data read from cores must be temporarily saved in a register and then immediately written back into the cores (**restored**). The destructive readout of data from cores necessitates the completion of the storage or memory cycle.

**WRITE (RESTORE) CYCLE.**— New data or the data read from core must be written (or written back) into the cores for permanent storage. This portion of the storage cycle is known as the **write** or **restore** operation. Each storage cycle consists of a read and then a write or restore operation. Other terms commonly used are the read and write **half-cycles**. During the write or restore operation, **write current** is applied to the drive lines of the core or cores addressed. Write current is designed to change the state of a core from zero to one. Remember at this time all the selected cores are in the zero state from the read operation.

For the four-wire cores that are to store zeros, inhibit current is applied through the inhibit line in opposition to the write current. The inhibit current prevents the changing of the core(s) from zero to one.

Three-wire cores change to the ONE state only if both digit and word lines carry write current. Current in the digit line is dependent on the binary bit to be stored. The word line carries write current during the write operation. When the bit to be stored is a zero, no write current is applied to the digit line. Write current in the word line only will not change the state of the core to one. When a one is to be stored, write

current is applied to the digit line, and when combined with the word line current, changes the state of the core to one.

During the write or restore operation, all selected cores that are to store a one are written to the one state. All selected cores that are to store a zero will be inhibited from writing a one by the inhibit current in the four-wire cores and left in the zero state. Lack of digit write current will leave three-wire cores in the zero state.

**READ/WRITE CIRCUITS.**— Two important circuits used during the read/write cycle include the inhibit current regulator and sense amplifiers.

**Inhibit Current Regulator.**— The inhibit current regulator circuits are enabled only during a write cycle when there is zero in the corresponding bit of the interface register. The resulting inhibit current pulse prevents a one from being written into the associated bit position at the address selected.

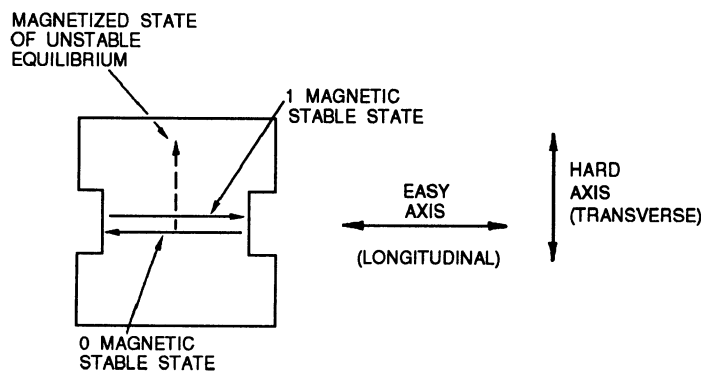
**Sense Amplifiers.**— The sense amplifiers sense the state of the cores selected during a read operation. The sense amplifiers are disabled during a write cycle, and enable the sense amplifier **stroke** during a read cycle. Data read by the sense amplifiers is transferred into the interface register until it can be restored back into core memory.

## FILM MEMORY

Film memory is the other primary storage medium of digital computers. It is used primarily on large mainframes. Depending on the mainframe, film memory is contained in **memory modules**; usually four large memory modules to a mainframe computer set.

### Film Architecture

Magnetic film storage is composed of hundreds of thousands of very small “I”-shaped magnetic thin film spots. Figure 6-14 is an example of one film spot and



35NVM022

Figure 6-14.—Bistable nature in thin film spots.

its bistable nature. Two paired thin film spots are used for each bit position. Like magnetic core memory, mated film memory uses bistable magnetic material as a means of recording binary data. A film spot is magnetized by current flow through the **word line** or **sense/digit line**. A film spot magnetized in one direction represents a binary zero, and when magnetized in the opposite direction represents a binary one. Figure 6-14 shows the bistable nature in thin film spots. As stated, a film spot is magnetized by current flow through the **conductor** (word line or sense/digit line). The preferred direction of magnetization is known as the **easy (longitudinal) axis** of the film because dipole alignment along this axis is stable. The axis perpendicular to the easy axis is referred to as **hard (transverse) axis** because dipole alignment along this axis is unstable and will fall to a stable state upon removal of the polarizing magnetic field.

The method of switching states in a mated film memory cell is referred to as coherent rotation. In **coherent rotation**, each magnetic dipole is rotated in unison with an applied field. A thin film can be switched as fast as external fields can be applied and removed. Figure 6-15, frame A, shows a film in the quiescent state, the magnetization is along the easy axis, and no external fields are applied. In frame B of figure 6-15, an external field is applied perpendicular to the easy axis. If the transverse field ( $H_T$ ) is large enough, the magnetic vector will rotate to the hard axis position. As illustrated in figure 6-15, frame C, a small longitudinal field ( $H_L$ ) is applied in the same direction as the desired zero or one easy axis, by applying current in the proper direction to the sense/digit line. Combining the  $H_L$  field with the  $H_T$  causes the magnetic vector to rotate beyond the hard axis to the desired polarization for a zero or a one. When the  $H_L$  and  $H_T$  fields are removed, the magnetic field falls or rotates (fig. 6-15, frame D) to the stable one state along the easy axis.

In figure 6-16, the method for applying an external field to the thin film elements is shown. Transverse fields are produced by passing current down the word line. Longitudinal fields are produced by passing current in the proper direction along the sense/digit line. When a current is passed through either conductor, a magnetic field is induced around the conductors as shown. Current through the word line will apply a transverse field to each element. The transverse field is concentrated on each film spot by a **magnetic keeper**. Current through the sense/digit line applies a longitudinal field in one of two directions to each film element. Each film element is physically separated

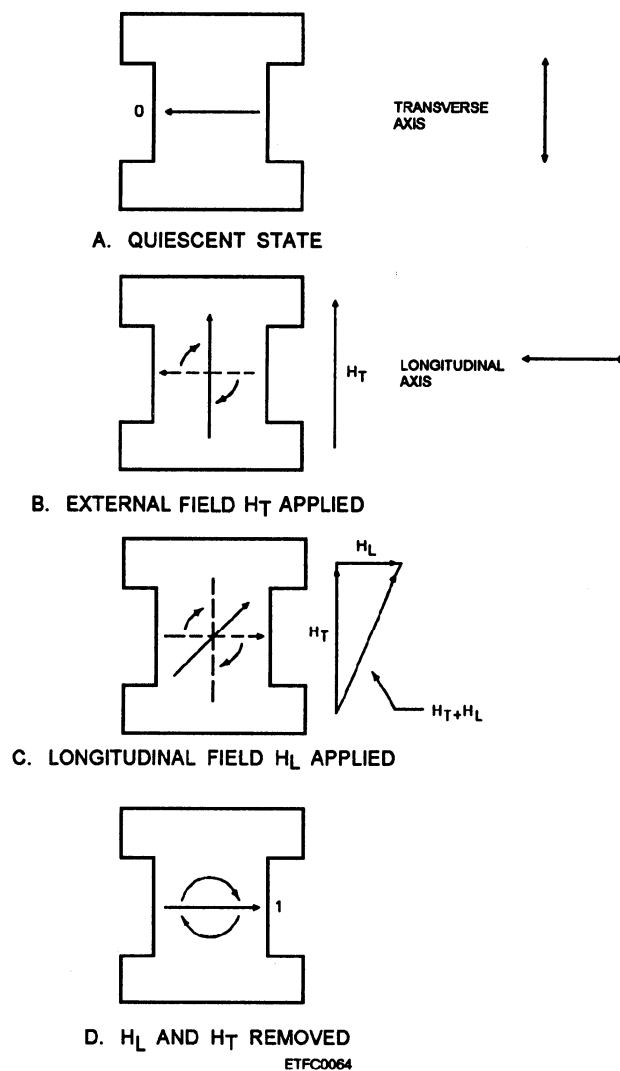
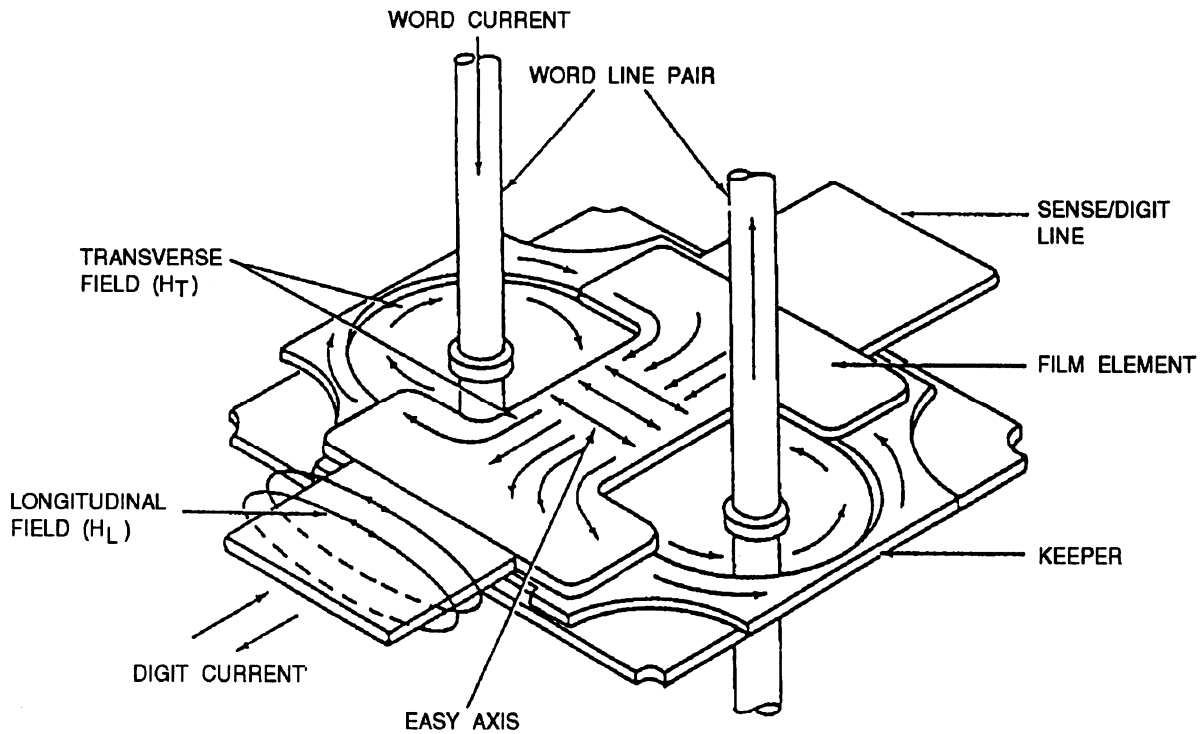


Figure 6-15.—Film architecture: A. Quiescent state; B. External field  $H_T$  applied; C. Longitudinal field  $H_L$  applied; D.  $H_L$  and  $H_T$  removed.

from the sense/digit line by a thin layer of electrical insulation.

**PACKETS.**— Film spots are organized by **packets**; the packets form a **stack**. Each packet can store two binary bits (zero or one) of data. Two paired thin film spots are used for each bit position. The purpose of the second film is to act as a **keeper** to the first film. This makes the mated film cells less susceptible to the disturbance from other cells in close proximity to them. The word pair line, sense/digit line, and keeper through each packet allow for the reading and writing of data in film. A packet consists of the following:



35NVM023

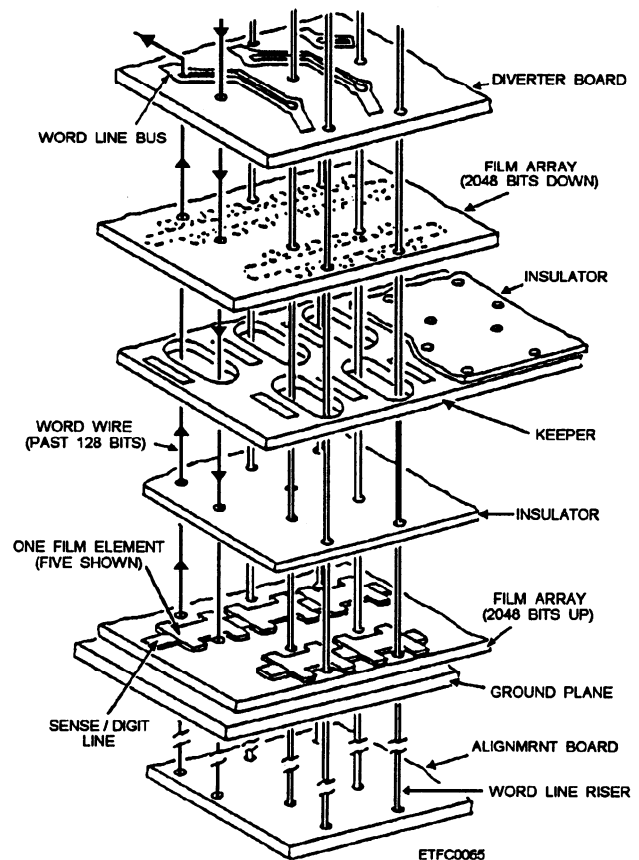
Figure 6-16.—Method for applying an external field to thin film elements.

- Word line pair
- Sense/digit line
- Film array
- Ground plane
- Keeper
- Insulators

An example of one packet is shown in figure 6-17.

**Word Line Pair.**— A current generated along the word line produces a **transverse field**. This magnetizes the film element. This causes the magnetic field to align with the word line and causes a current in the sense/digit line. This resulting current in the sense/digit line is read as a zero or a one by the register at the end of the sense/digit line.

**Sense/Digit Line.**— A current generated along the sense/digit line produces a longitudinal field in one of two directions to each film element. The longitudinal field is required in addition to the transverse field to assure proper writing into a thin film memory. The direction of the cell induced film signal on the sense/digit line determines whether a one or a zero will be written into memory.



ETFC0065

Figure 6-17.—One thin film packet.

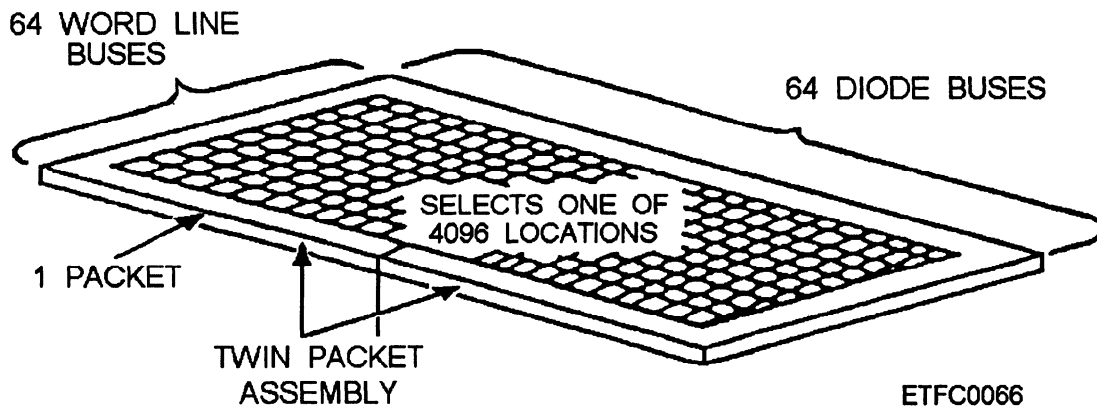


Figure 6-18.—Example portion of a film array.

**FILM STORAGE LAYOUT.**— Each paired thin film can store one binary bit of data. But because of their compactness, they have twice the storage capacity in the same volume as core memory. Mated film storage or film memory is designed to store a fixed number of **memory words**. Mated film memory is word organized. Each word line in a word organized memory is selected by a unique memory address. The film spots along a given word line are all the bits of a particular word. When a current is propagated through a selected word line, all the thin film spots along that line are read in a simultaneous parallel manner, each having a unique sense/digit line. Just like core memory, the size of film storage or its **memory capacity** is determined by the number of memory words that can be used or addressed to store and retrieve data. To accommodate a memory capacity of any size, the memory words are organized into **matrices**.

**Matrices.**— The mated film spots are organized into matrices called film arrays to simplify addressing, reading, and writing operations. Figure 6-18 is an

example portion of a film array. Each film spot in the film array has a word line pair and a sense/digit line; they affect the read/write operations. Mated film memories, like core memory, use a matrix.

**Arrays.**— In our example, a 64 by 64 array contains 64 word line buses and 64 diode buses. They select the exact word at a memory address location. By selecting one word line and one diode, one of the 4096 ( $64 \times 64 = 4096$ ) memory locations in the array will be selected. One 64 by 64 array forms two packets of a **memory stack**.

**Memory Stack.**— In mated film memory, the packet is the building block of the film memory stack. The mated film memory stack contains all the film spots of the device, the associated circuitry that includes the word lines, sense/digit lines, and associated hardware. The associated hardware includes diode stick assemblies and boards (diverter, insulators, and ground planes, and alignment). Refer to figure 6-19 as an illustration of a memory stack.

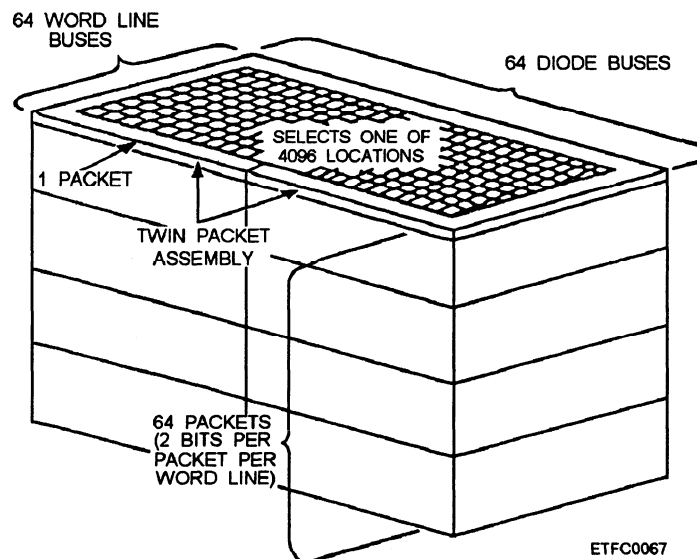


Figure 6-19.—Illustration of a memory stack.



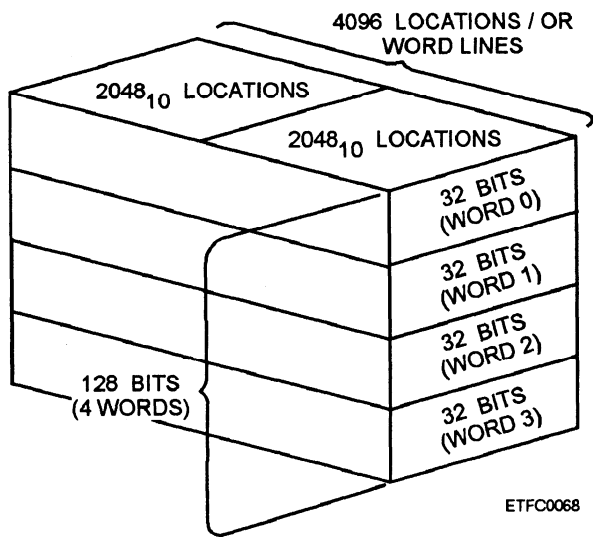


Figure 6-20.—Memory location words.

The memory capacity of a film core storage device is determined by the number of packets and the size of the arrays in the memory stack. By varying the number of word lines and diode assemblies in each array (64 by 64, 128 by 128, and so on) and the number of packets in a memory stack, great flexibility can be achieved in the design of a mated film storage device's memory word length and number of addressable memory words. Mated film stacks are usually divided

into words at each memory location (fig. 6-20). Instead of one word of so many bits in length at a given location, the computer has the option of selecting one of up to four words at each memory location.

### Mated Film Address Selection

The address selection process in mated film memory uses the row (x)/column (y) concept just as core memory does. With mated film memory, the ultimate goal is not only to select an address location but to select a word at that memory address location. The upper bits in the address register are used to select the stack and the word at the memory location. The remainder of the bits are used to form matrices that in turn select one of an upper or lower diverter; this circuitry will select the location of the memory address. The address register bits are used to translate the bits to make the selections in the following order:

- Stack
- Location (if a 64 by 64 array, one of 4096)
- Word at the address location

Figure 6-21 is an example of the register used to select a memory word at an address location.

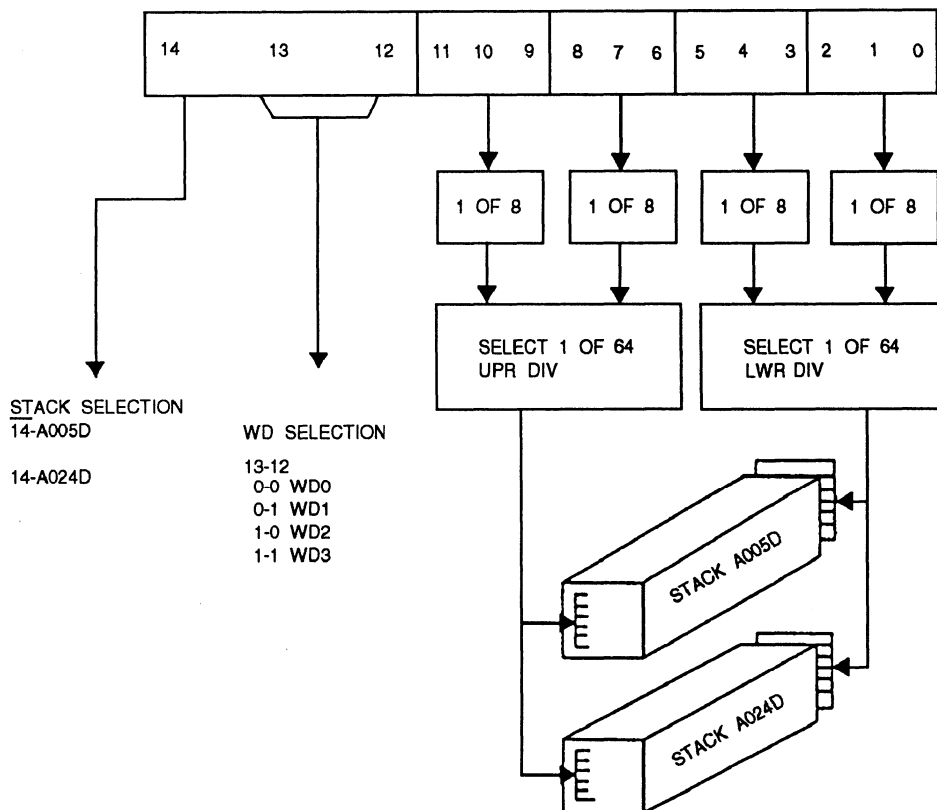


Figure 6-21.—Address register used to select location and word.

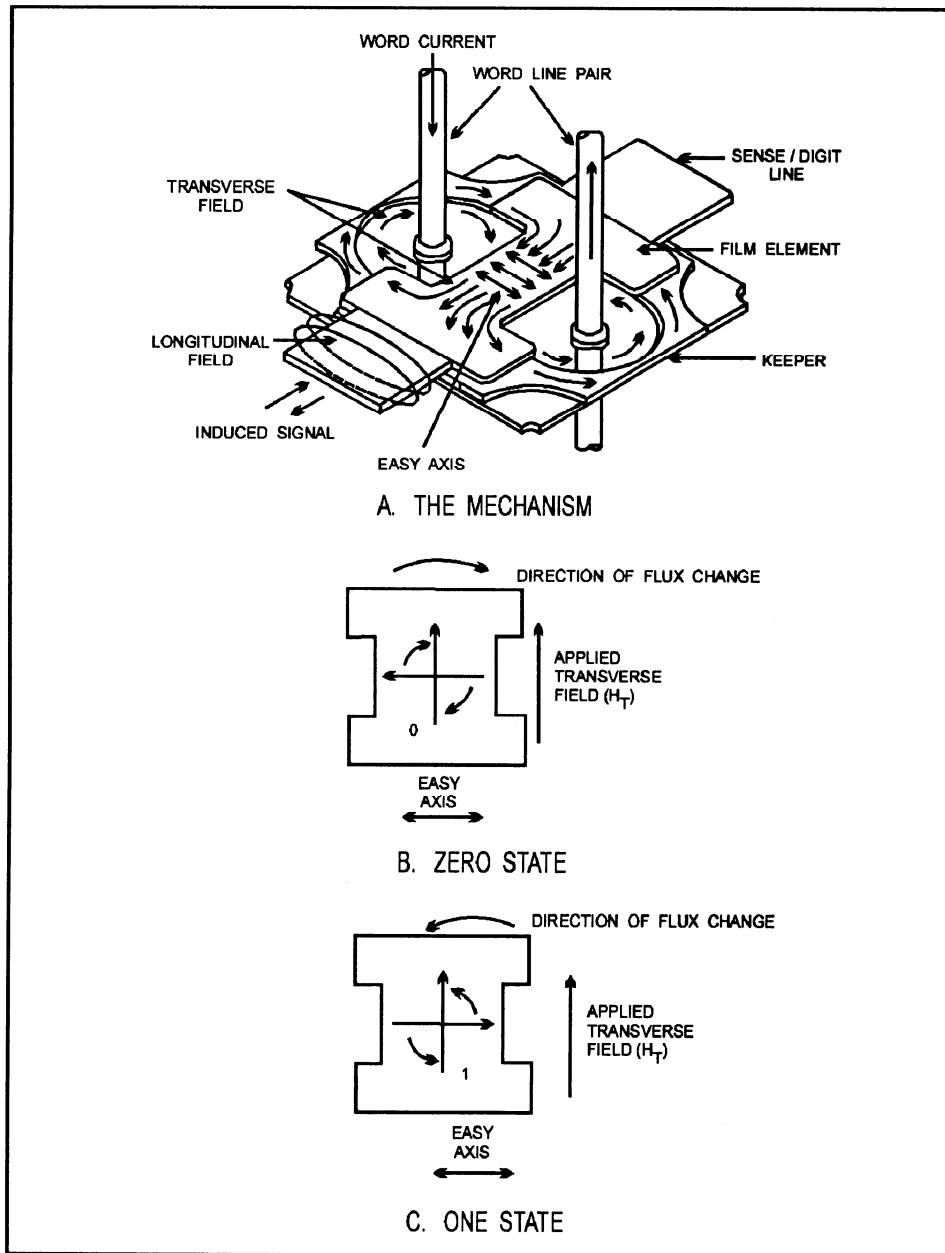
35NVM024

## Mated Film Storage Read/Write Cycle

Similar to core memory, mated film memory must restore data back into memory after it has been read from memory so it will not be lost.

**READ CYCLE.**— To read a mated film memory cell, a current is generated along the word line and a transverse field is applied to the thin film cell. The rotation of the magnetic vector when it aligns with the word line, causes a current in the sense/digit line. This resulting current in the sense/digit line is read as a binary zero or one by the register at the end of the sense/digit line. This mechanism is graphically shown in frame A of figure 6-22.

The mated film memory cell in frame B of figure 6-22 is in the zero magnetic state. When the word field is applied, the magnetic polarization vector is rotated 90° to the hard direction. The clockwise direction of flux change induces a small voltage generating current in the sense/digit line as shown. The thin film in frame C of figure 6-22 is in the one state. The transverse field is applied by driving a pulse down the word line and the vector is forced in the hard direction, but now the flux change is counterclockwise. This flux change also induces a small voltage generating current in the sense/digit line, but it is the opposite polarity of the signal read from the film, thus storing a zero.



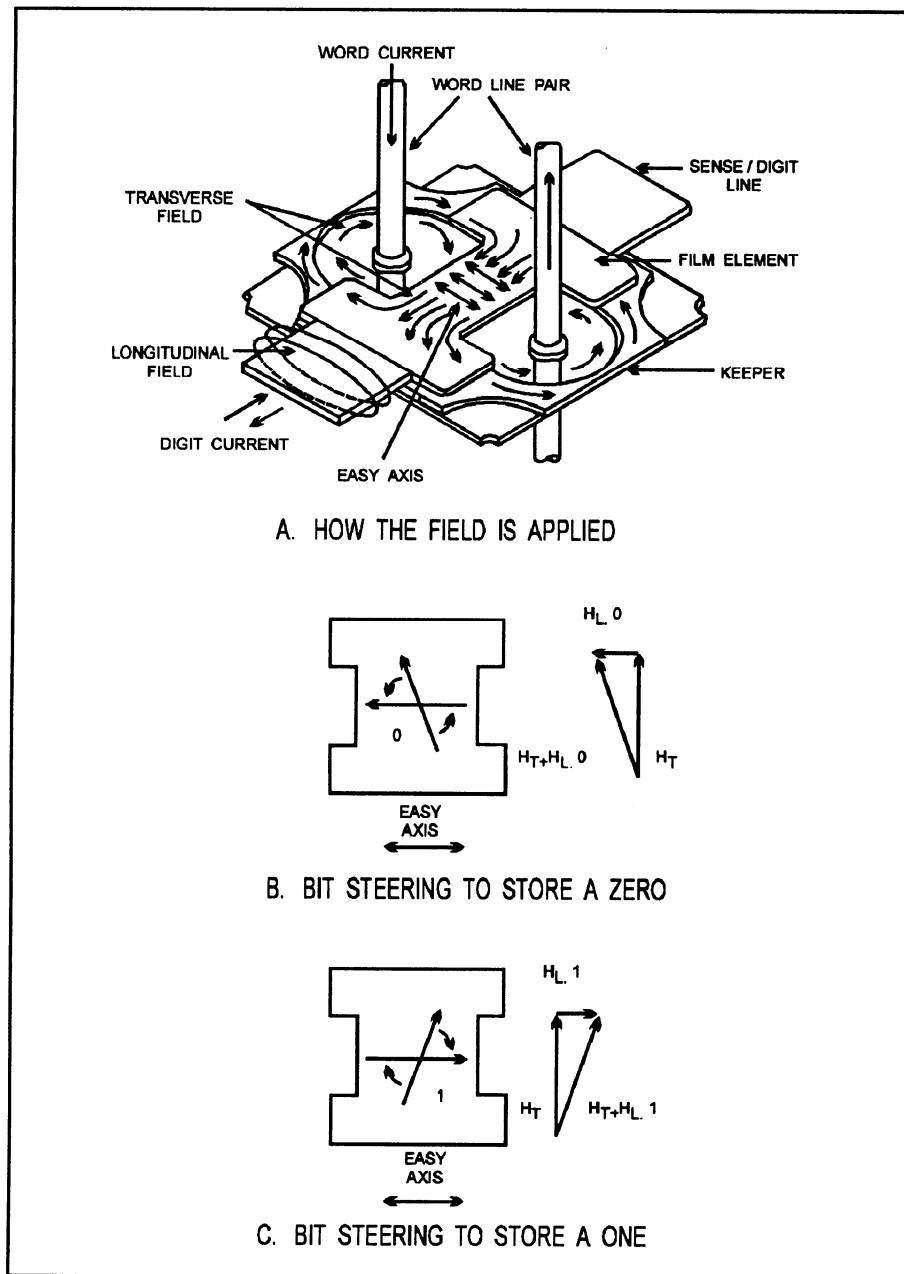
ETFC0069

Figure 6-22.—Reading a zero or a one: A. The mechanism; B. Zero state; C. One state.

The direction of the cell vector rotation induced film signal on the sense/digit line will determine what was the recorded state of the film. As the film is read, the cell magnetic state vector is forced in the hard direction. If the transverse field is removed, the film would fall back to one of the two easy states, a one or a zero. The actual state that a film would return to, however, would be uncertain, and a small amount of demagnetization of the film may occur. For this reason, reading a film in this manner is considered **destructive readout**. To ensure the film returns to its original state, the computer has an automatic hardwired restore operation, which is the same as writing into film

memory. This operation is an internal operation and is not controlled by the software user.

**WRITE (RESTORE) CYCLE.**— Film memory is like core memory; the data read from film must be written back into the film for permanent storage. This portion of the storage cycle is known as the **write** or **restore** operation. Each storage cycle consists of a read and a write or restore operation. In writing information to a film spot, a longitudinal field is required in addition to the transverse field to assure proper writing. Frame A of figure 6-23 shows how this field is applied. This longitudinal field is applied by passing a current



ETFC0070

Figure 6-23.—Writing (restoring) a zero or a one: A. How the field is applied; B. Bit steering to store a zero; C. Bit steering to store a one.

through the sense/digit line generating a magnetic field that is perpendicular to the transverse field. The direction of the current pulse generated up and down this line and the resulting longitudinal field are determined by whether a zero or a one is to be written.

Frame B of figure 6-23 illustrates the bit steering to store a zero. For a write operation the film's magnetic vector is first put in the hard direction from the transverse field. A small longitudinal field is then applied bypassing a current through the sense/digit line in the proper direction. This longitudinal field steers the vector toward the zero state. The word current is then removed, which further accelerates the magnetization towards the zero state. Then the digit current itself is removed leaving the film in the zero state. Frame C of figure 6-23 shows that when a one is to be stored, the bit current in the sense/digit line is reversed in direction from that used to store a zero. The resulting longitudinal field now steers the vector to the one state.

**READ/WRITE CYCLE CIRCUITS.**— Three very important circuits used in mated film memories during the read/write (restore) cycles are as follows:

- **Word current generator** —The word current generator produces the current pulse that provides the switching field for the memory film elements. The current generator is also used to produce drive pulses used for strobing during the memory cycle.

- **Digit drivers** —The digit drivers supply pulses required to write or restore data during the write/restore portion of all full memory cycles. Input to the drivers is supplied by the output of the data register's flip-flops. With these signals, the digit drivers are enabled to generate drive pulses, which write a logic high or a logic low in the address bit location in accordance with the binary (one or zero) contents of the data register. The binary value determines the direction of the digit current on the sense/digit line.

- **Sense amplifiers** —similar to core memory, the sense amplifiers sense the state of the data contained in the film element for storage in a data register for transmission of the data word or restoration of a one or a zero. Selected bits in the address register determine which group of bits are transmitted as a data word or changed by a memory write cycle.

## SEMICONDUCTOR MEMORY

Semiconductor random access memory, or RAM, as it is often referred to, is used in all types of computers. RAM is also called a *read/write memory* or a

*scratch-pad memory*. Semiconductor RAM refers to semiconductor IC memories that can be used in a read mode as well as a write mode. Semiconductor memories use either a **read cycle** or a **write cycle** depending on the type of request, independent of each other. The read cycle is normally a shorter time period than the write cycle.

Semiconductor memories are normally **non-destructive readout** and **volatile** memories. In a nondestructive readout memory, the data stored in memory is not destroyed by the procedure used to read the data from the memory cells. Volatile memories require electrical power to maintain storage. If the power goes away for some reason, the data stored in the memory cells is lost. For this reason, an **uninterruptable power supply (UPS)** and a **battery backup system** are used in many semiconductor memory applications to maintain constant power and prevent loss of information because of power fluctuations or failures. This is especially important in microcomputers where configuration data is maintained in special devices such as a complementary metal-oxide semiconductor (CMOS). The battery backup and a filter capacitor provide the required power when the microcomputer has been powered down. Computers that use an UPS system have an established time in which data will be retained for momentary power losses.

The term random access memory (RAM) is consistently used for read/write devices. Although RAM only describes one characteristic of read/write devices, it is used and understood by most people to mean read/write devices. RAM means random addresses can be presented to the memory which means data can be written and read in any desired order from any location. Note: The term RAM is not used for *read-only memories* (ROM), although a ROM can also be random access.

Let's explore the basic building block of semiconductor memories: the RAM chip. Then we discuss the two main types of semiconductor RAM memories: static RAM (SRAM) and dynamic (DRAM), and variations of the two. SRAMS are faster but require more logic than DRAMS; thus they are more expensive than DRAMS.

### The RAM Chip

In semiconductor memories, the basic building block is the RAM chip (fig. 6-24). This is true whether the memories are static or dynamic memories and are pcb's in a memory module or a pcb or pcb's mounted singularly. The semiconductor RAM itself is made up

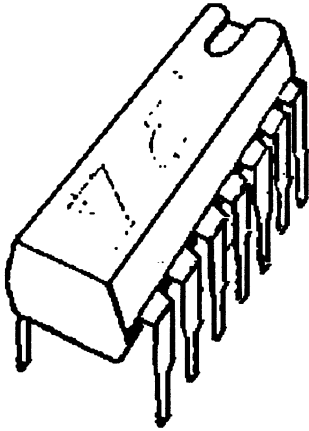
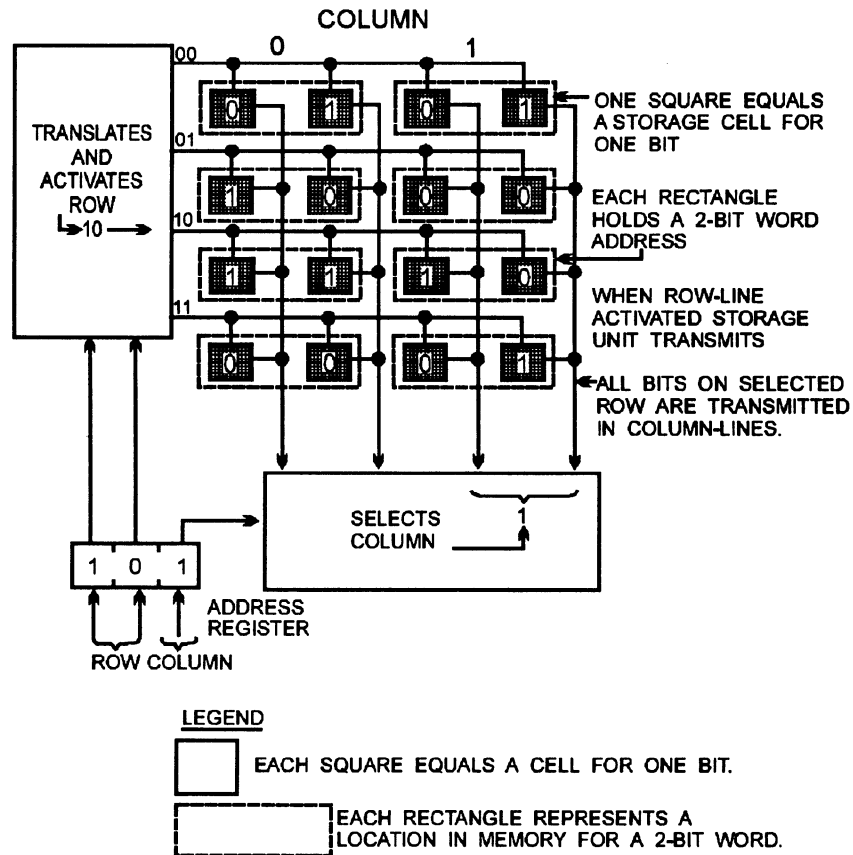


Figure 6-24.—RAM chip.

of variable numbers of these RAM chips. Each chip contains large numbers of memory cells and the logic to support them. Each memory cell is an electronic circuit with at least two stable states. With the advent of large and very large scale integration (LSI/VLSI), literally thousands or hundreds of thousands of memory cell circuits can be placed on a single chip. Each of the two-state memory cell circuits is capable of storing a single binary digit (0 or 1).

Figure 6-25 shows the general idea of how one-bit storage units (or cells) of any type are typically arranged so that stored information can be read out at random. The same arrangement works for writing data into a RAM. Notice the row and column arrangement; this is the same concept used by magnetic read/write memories. As a simple explanation, look at the memory shown in figure 6-25. It stores only 16 bits, as eight words of two bits each; notice the row-and-column arrangement. These chips are mounted on logic boards or circuit card assemblies (pcb's) in some sort of memory array, also called **gate arrays**, based on the memory capabilities required or desired by the equipment designer.

The capabilities of individual chips determine the array organization for the memory capabilities desired. On RAM chips, memory cells are organized based on two factors, the **number of memory words or addresses** and the **number of bits per word**. Most memory logic chips are rated by these values. For instance, a 4K by 16 chip would provide 4,096 16-bit memory addresses. This 4K by 16 chip will not support a 32-bit word for 4,096 addresses. The best it can do is the lower or upper half of the word. To support a 32-bit



ETFC0071

Figure 6-25.—One-bit storage units.

word, it would take two 4K by 16 chips to provide 4,096 addresses of 32 bits each.

To illustrate the random access nature of RAM, the number of words or addresses, and bits per word, we offer a simple illustration. Figure 6-26 shows the organization of a 64-bit memory. The 64 squares (mostly blank) in the figure represent the 64 positions that can be filled with data. Notice that the 64 bits are organized into 16 groups called **words**. Each word contains four bits of information. This memory is said to be organized as a 16 × 4 memory. That is, it contains 16 words, and each word is 4 bits long. The total number and capabilities (16 by 4 and so forth) of these individual circuits will define the total memory capacities of the respective computer.

In our example, the total number of memory cells is 64. There are many variations in the ways a 64-bit memory could be organized: 64 × 1, 32 × 2, or 8 × 8. The memory in figure 6-26 looks very much like a truth table on a scratch pad. On the table after word 3, you'll notice the contents of word 3 is (0110). We say we have stored, or written, a word into the memory; this is the write operation. To look at the contents of word 3, we simply read the contents of word 3 using the read operation. What is also important about RAM memory is that we can read or write into any word on the table and in any order, that is why it is called *random access*.

ADDRESS	BIT 3	BIT 2	BIT 1	BIT 0
WORD 0				
WORD 1				
WORD 2				
WORD 3	0	1	1	0
WORD 4				
WORD 5				
WORD 6				
WORD 7				
WORD 8				
WORD 9				
WORD 10				
WORD 11				
WORD 12				
WORD 13				
WORD 14				
WORD 15				

Figure 6-26.—Organization of a 64-bit memory.

### Static RAM (SRAM)

Static random access memories (SRAMs) are semiconductor integrated circuits that use a **flip-flop** application for each storage cell. Figure 6-27 illustrates

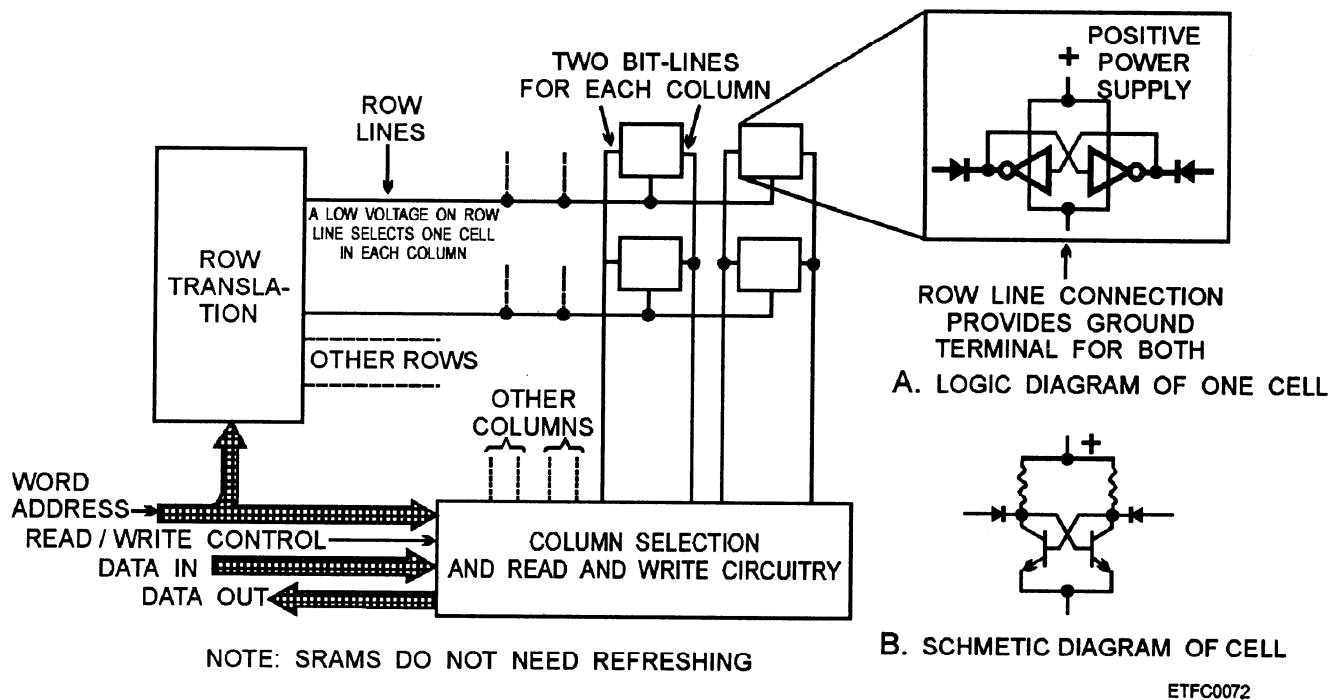
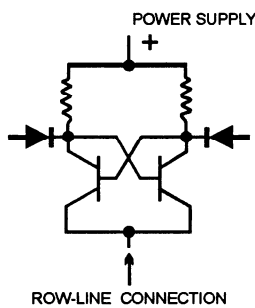


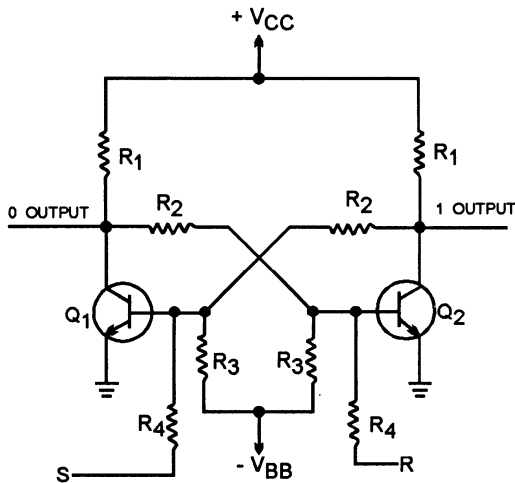
Figure 6-27.—SRAM cell and associated circuitry.

a static RAM cell and its associated circuitry in block form. Each memory cell can latch, or store, data in a stable state. Information is written into and readout of the cell through the column lines. The characteristics of flip-flops keep the flip-flop in its present state and allow you to read the data out of the cell without changing its state when the row-line is activated. Similarly data is written through the column line only when the row-line is activated, so only one cell in each column is selected. A read/write control signal controls reading and writing operations. The zero or one state in the cells can be held indefinitely as long as proper power supply levels are maintained.

**D-type** and **R-S type** flip-flops are commonly used for SRAMs. The flip-flops can be made of either bipolar or MOS transistors. MOS yields a higher density but lower access speed. Bipolar RAMs have a higher access speed but take up more space. Figure 6-28, frames A and B, and figure 6-29 illustrate schematic diagrams of individual bipolar and MOS RAM cells. Figure 6-28, frame A, is a diode-coupled



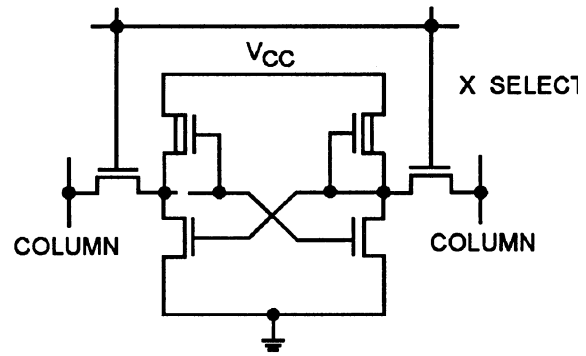
A. DIODE-COUPLED BIPOLAR SRAM CELL



B. BIPOLAR JUNCTION TRANSISTOR (BJT) SRAM CELL

ETFC0073

Figure 6-28.—Examples of SRAMs: A. Diode-coupled bipolar SRAM cell; B. Bipolar junction transistor (BJT) SRAM cell.



ETFC0074

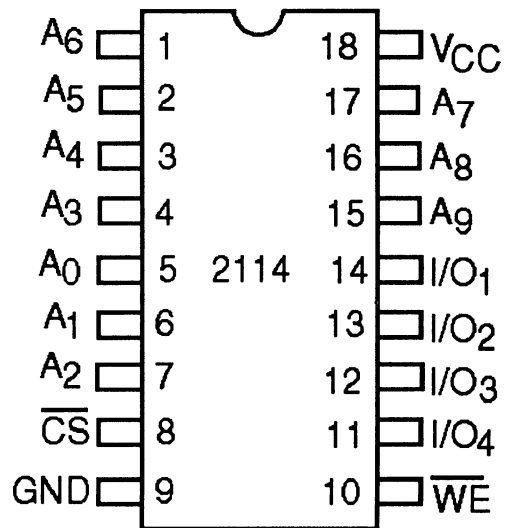
Figure 6-29.—SRAM MOS cell.

bipolar static RAM cell; figure 6-28, frame B, is bipolar junction transistor (BJT) static RAM cell; and figure 6-29 is a static RAM MOS cell. As stated, the RAM chip is mounted in a logic array on a pcb. Figure 6-30 is an illustration of an IC chip, with pin connections used in a static bipolar or MOS RAM.

RAM chips come in various configurations and sizes. The number of IC RAM chips needed for a computer's RAM memory is determined by the requirements and memory size of the computer. Let's use an example IC to discuss the operation of a RAM chip, which includes the architecture, address selection, and read/write cycles.

### Static RAM Organization and Operation

Our example RAM uses a 1 K by 4 configuration, 1024 words that are 4 bits in length. Many groups of 1K by 4 RAM chips can be grouped together with simple support logic to form larger memory systems. A



35NVM026

Figure 6-30.—SRAM IC chip with connections.

block diagram of a 1K by 4 is shown in figure 6-31. This RAM chip uses 10 address lines to address 1024 words. The address is provided over 10 input lines ( $A_0$  through  $A_9$ ). The 10-bit address is internally translated within the chip. Bits  $A_6$  through  $A_9$  feed the column select circuits while bits  $A_0$  through  $A_5$  feed the row select circuits. The address lines are used to enable the addressed memory cell flip-flop circuits by row and column number. The 10 address lines form  $2^{10}$ , or 1024, possible conditions. Each addressed word has 4 bits.

There are 4,096 memory cell flip-flop circuits in a 64 row by 64 column memory array. Within the 64 by 64 memory array, only 4 flip-flops enabled by both row and column signals can be set or cleared by the data bits during a write operation or can have their outputs sensed during a read operation.

Data is stored in, or read from, the memory cells via the four I/O lines,  $I/O_1$  through  $I/O_4$ . To provide stable signals within the memory cell array, the four I/O lines are buffered, as shown -on the block diagram. The address lines are usually tied to the computer or memory system address bus, while the I/O data lines are tied to the data bus. The I/O lines are bidirectional. For write operations, they carry the data to be written into the memory cells. For read operations, they carry the output of the memory cells.

The remaining pin connections shown on the block diagram are used for control and power. The **chip select** ( $\overline{CS}$ ) line is an input used to enable a particular part, or group of parts, out of a large memory array. For

example, a 16K by 8 memory can be from 32 of the 1K by 4 static RAM chips. Only two chips are selected during any single read or write sequence. The chip select ( $\overline{CS}$ ) signal, when true, indicates that the particular chip's circuitry has been selected for a read or write operation. The chip select signal originates from a higher level decoder circuit, which controls several RAM chips. Common address and data lines connect all the chips under the decoder but only the chip receiving the chip select will handle the data.

The **write enable** ( $\overline{WE}$ ) input line is used to determine whether a read or write operation is taking place. The write enable signal is generated from the computer system. When the chip select is active, a write pulse on the write enable line is used to store data within the memory cell array. The internal circuitry of the chip will accept data from the I/O lines and set or clear the selected row and column flip-flops to match the bits on the I/O lines. The data buffers are switched to input mode during a write cycle. During a read cycle, the write enable is false indicating that the read cycle is being processed and the data buffers are switched to the output mode. During a read operation, the internal cell data is output to the computer data bus. The contents of the flip-flops themselves are not changed by the read operation.

The  $V_{cc}$  and ground lines are used to supply power to the memory IC. Power consumption varies slightly with the mode of operation of the static RAM. Atypical 1K by 4 static RAM uses 5 volts of dc power, and typical power consumption is 500 mW.

### Dynamic RAM (DRAM)

Dynamic random access memories (DRAMs) are semiconductor integrated circuits (ICs) that operate like a bank of capacitors. DRAMs consist of MOS transistors. Figure 6-32 is an example illustration of a dynamic RAM cell and its associated circuitry. The cells are capacitor-type circuits; a charged cell equals a logic 1, while a discharged cell equals a logic 0. Each cell consists of a MOS transistor and a tiny capacitor. When a row-line is activated, all the MOS transistors on that row are turned on, connecting their capacitors to their column lines. By way of the column lines, the capacitors are charged when writing and the charges are detected when reading. Electric charges are put into the cells through the column lines and read out through the same lines, using appropriate switching circuitry in the column selector section. Words from the data input in figure 6-32 are written into the capacitors through the column lines and the data is readout through the same

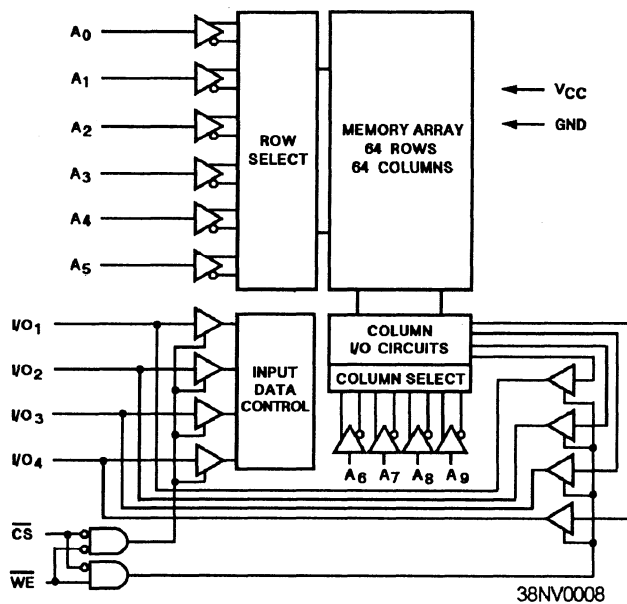


Figure 6-31.—Block diagram of a 1K × 4 SRAM.



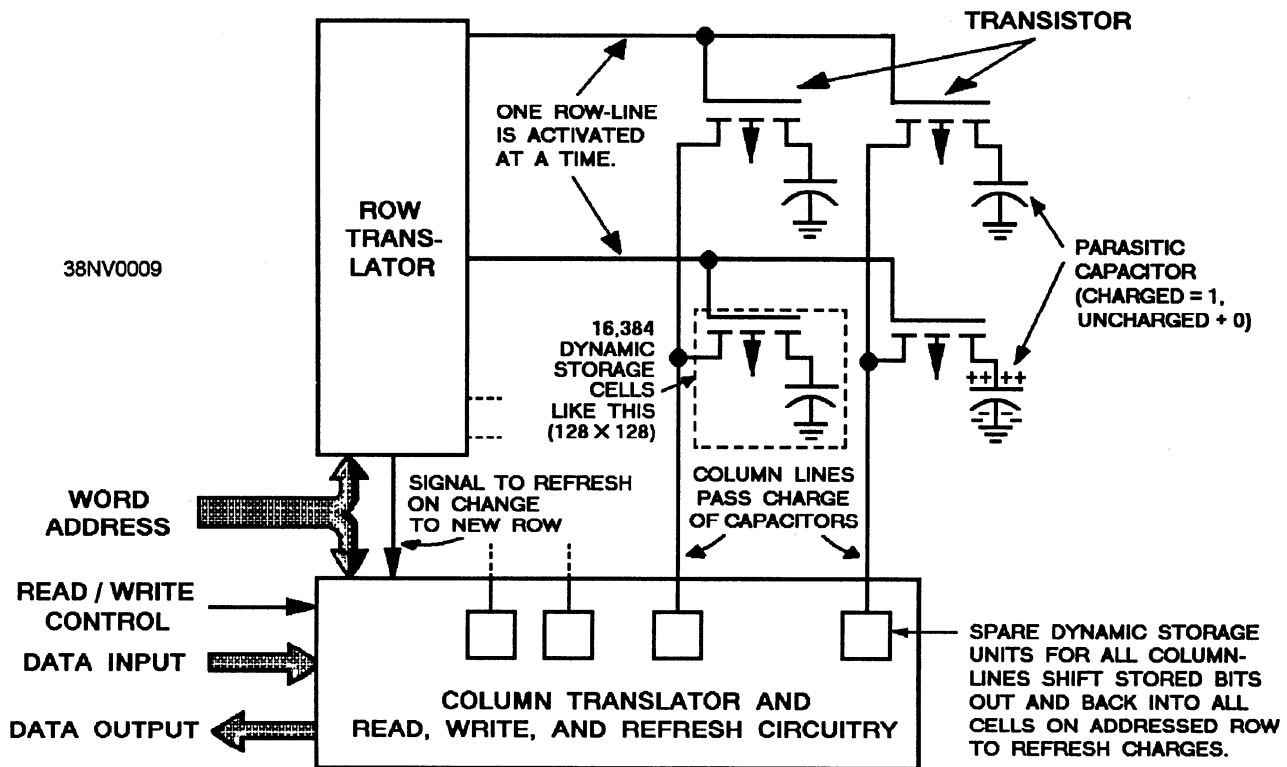


Figure 6-32.—DRAM storage cell.

column lines using switching circuitry in the **column selector** section. A read/write control tells memory whether to read or write.

The dynamic RAM cell is less complex than a static cell because it does not use a latch to store data. A parasitic capacitors formed in the integrated circuit and this becomes the storage element, as pictured in figure 6-32. The single transistor switch is used to isolate or select one particular cell from the entire memory array. Because the basic dynamic cell design is simple and contains few elements, it is possible to achieve much higher densities than with static cell designs.

A typical memory system may be formed from many 16K word dynamic RAM parts. These parts are usually structured as 16K by 1, or 16,384 words of only one bit each. Larger memory words are made by ganging as many chips as required. This allows greater flexibility for system designers to organize memory systems with a small or wide data bus (for example, 16K by 8, 16K by 16, or 16K by 32). Circuit boards that are extremely cost-effective for large mainframes are easily created with densely packed dynamic RAM parts.

Power consumption by dynamic RAM is another advantage over static RAM. Because the dynamic RAM cell does not use a latched design to hold data as

do the static RAM parts, the power consumed by each cell is negligible when it is not being accessed. Most of the power consumed occurs during a read or write operation and a small amount is consumed during the refresh cycle. The lower power consumption of dynamic RAM leads to lower cooling requirements and smaller power supplies because of the reduced memory power needs.

One disadvantage that a dynamic RAM has is the need to **refresh** the entire memory array within a certain period of time (usually two milliseconds). The DRAM memory cells do not retain their charged state for more than a few milliseconds. DRAM cells are subject to degradation due primarily to time and temperature. To retain information, the content of each memory cell must be **refreshed** before the charge dissipates. The memory array may be refreshed in one of two ways: **externally** or **internally**. Externally is more cost effective because a single refresh address generator is shared by the entire memory array. A type of DRAM, time volatile memory (TVM) uses a battery backup to maintain refresh for 30 minutes after the computer has been powered down or power has been lost.

In our explanation of dynamic RAM organization and operation, we use two examples to discuss the architecture, address selection, and read/write/refresh

cycles. One uses an external refresh and the other an internal refresh.

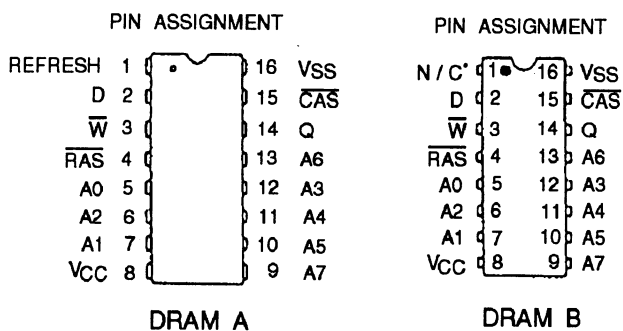
### Dynamic RAM Organization and Operation

Our example dynamic RAM chips both have 64K of memory. We label them dynamic RAMs **A** and **B**. Dynamic RAM **A** contains a built-in refresh circuitry, which is driven by a simple external clock, while dynamic RAM **B** must be refreshed by external logic. A pin-assignment diagram for these DRAMs **A** and **B** is shown in figure 6-33.

These dynamic RAM parts contain 65,536 1-bit words and require a 16-bit address word ( $2^{16} = 65,536$ ). The address word is formed by a multiplex technique; whereas two 8-bit words are input in two steps from the eight address lines labeled A0 through A7. This 8-bit word must be formed by external logic that interfaces the computer memory bus to the memory system.

The D line is the data input line. The Q line is the data output line. These lines may be tied together or separated; it varies with the system. The D and Q lines are tied together in applications that call for a bidirectional data bus. However, separated D and Q lines speed up the system. In larger memory systems, all the dynamic RAM parts in the memory array share the address bus. The data bus is separated into individual data bits. Each bit is associated with one RAM Chip.

For timing and control, the system uses the refresh address strobe ( $\overline{\text{RAS}}$ ) and the column address strobe ( $\overline{\text{CAS}}$ ) lines. To signify when a write operation is being performed, the system uses a low level on the  $\overline{\text{W}}$ . The  $V_{cc}$  pin is used for 5 V power input. The  $V_{ss}$  is held at ground.



35NVM027

Figure 6-33.—DRAMs with pin assignments: A. DRAMA with built-in refresh circuitry; B. DRAM B which requires external refresh logic.

On DRAMA, pin 1 is used for refresh. The pin 1 refresh technique uses an internal 8-bit counter to generate the required 128 refresh addresses. Use of this pin requires a low-state clock pulse on the refresh line, while the RAS signal is sent to a high state. The refresh clock increments the refresh address with each clock pulse. With external logic, this technique is fairly inexpensive. The main disadvantage of this IC is the additional internal refresh logic.

The alternate refresh technique can be used on both DRAMs A and B. This alternate technique uses the  $\overline{\text{RAS}}$  and  $\overline{\text{CAS}}$  lines to control the refresh mode. The  $\overline{\text{RAS}}$  line is sent low, while the  $\overline{\text{CAS}}$  line is sent high, and the refresh address is presented from external logic to the DRAM memory array. All 128 refresh addresses must be presented within two milliseconds, as is the case for the self-refresh mode.

### TOPIC 3—READ-ONLY MEMORY (ROM)

In modern computers, portions of the available main memory addresses and special local memories are made up of read-only memory (ROM). ROMs are used for various memory applications, such as fixed program storage, look-up tables, and code conversions. The programs on the ROM are actually more hardware than software; therefore, they are often referred to as **firmware**. ROM has all the operational characteristics of read/write memories except that data cannot be written into the ROM addresses by the normal computer accessing methods (write request). You can only read and/or execute the contents of each ROM memory address. The contents of the ROM addresses can be used over and over again without alteration, and the data does not have to be written back into ROM. The primary use of a ROM allows the computer to perform its I/O operations, which is one of the primary functions of the CPU. In this chapter, we discuss how ROM works and the different types of ROMs; how and when they are programmed. The term *non-destructive readout (NDRO) memory* is often used to describe ROM used in militarized computers. Newer computers use ROM and the different variations of ROM in the NDRO to store the bootstrap and other special-purpose programs.

### READ-ONLY MEMORY (ROM) ARCHITECTURE

ROM is consistent in all computers. Remember it is tailored to meet each computer's needs. ROM comes

in various sizes: from 512 to 8K words. The size will depend on the computer and the functions of its ROM. The arrangement of ROM uses the same concept as main memory. A row (x)/column (y) arrangement is used to obtain the ROM addresses. The array of the ROM cell matrix also varies with the size of the ROM. Certain portions of main memory are set aside for the ROM addresses. When ROM is selected at the front panel or as part of a start up routine for basic input/output system (BIOS), the computer will default to the addresses established by the manufacturer. ROM comes in one of two basic packages: either a **module** or a **ROM chip**. To make changes to ROM programs, you

must remove the applicable ROM module or ROM chip(s) from the CPU module or the pcb on which they are mounted and replace it/them with the module or chip(s) containing the new version of the program.

### ROM (NDRO) Modules

Nondestructive readout (NDRO) memories may consist of a single pcb or several pcb's that come in a single module (fig. 6-34). They are usually located in a larger CPU module or as part (one pcb) of a group of pcb's located in a chassis.

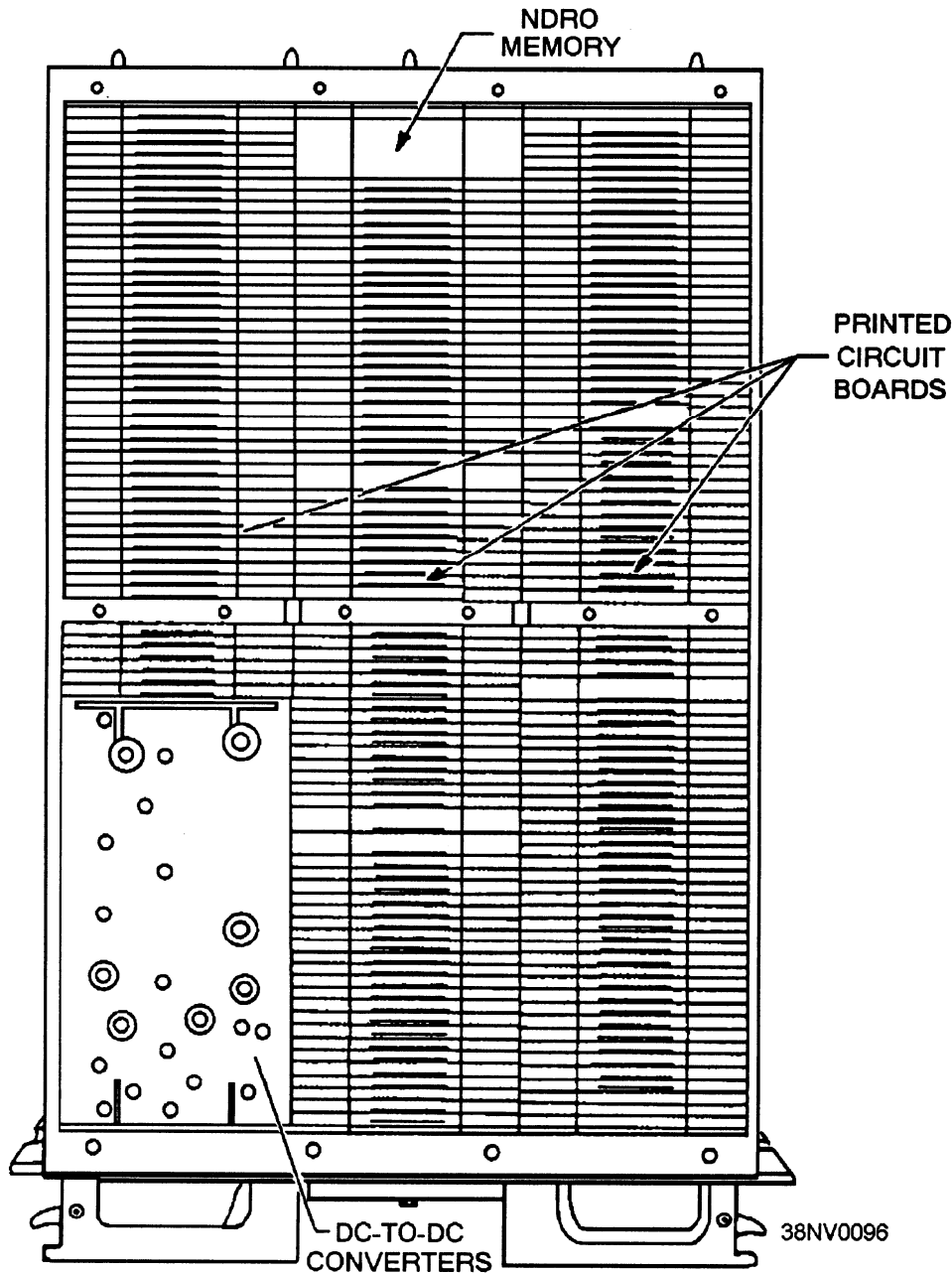


Figure 6-34.—Mainframe CPU with an NDRO memory identified.

## ROM Chips

A ROM chip is one or more chips on a pcb located in a rack or backplane/motherboard. Figure 6-35 is an example of a 64K ROM block diagram and IC with pin connections. Notice the items used to obtain the ROM address. The heart of the chip is the 65,536-bit memory array. This array is masked with a ROM data pattern. The desired word in the array is selected by the X and Y decoders. The 13 address lines are the inputs to these two decoders. As the address is decoded, the output word is presented to the output buffers. The chip select line is used to enable or disable the tristate mode of the output buffers. The eight output lines come from the output buffers. Pure ROM chips are manufactured with the desired software instructions or data installed.

### READ-ONLY MEMORY (ROM) MATERIALS

The types of materials that make up a ROM also vary. ROMs can consist of the following types of materials:

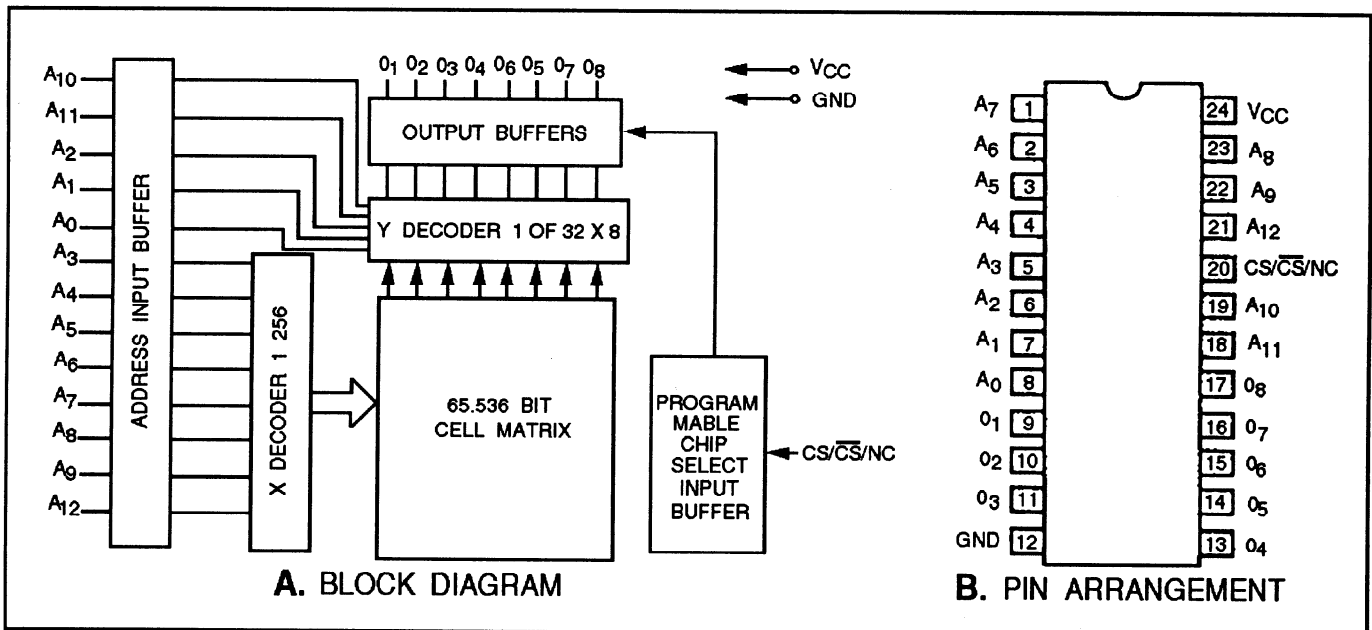
- Hardwired (fig. 6-36)

- Magnetic (fig. 6-36)
- Transistors-Bipolar or MOS (fig. 6-37; MOS ROM)
- Fusible links

Regardless of the type of material used for ROM, the cell array is masked to a particular 0/1 arrangement to form the permanent data needed for ROM operations.

### READ-ONLY MEMORY (ROM) OPERATIONS

As stated, ROM operations are characteristic of main memory operations except you cannot write to ROM. This means ROM operations use no write pulses or equivalent and no data input buffers are needed. The basic operation of ROM, like a main memory address, is to use the permanent data stored in the ROM address. Since we are studying the computer and its internal operations, the operation in this case is the execution of an instruction contained at a ROM address. But you can see where if you needed to use the same data at a particular location repeatedly (for example, a look-up table), this concept could be used.



35NVM028

Figure 6-35.—ROM chip: A. Block diagram; B. Pin arrangement.

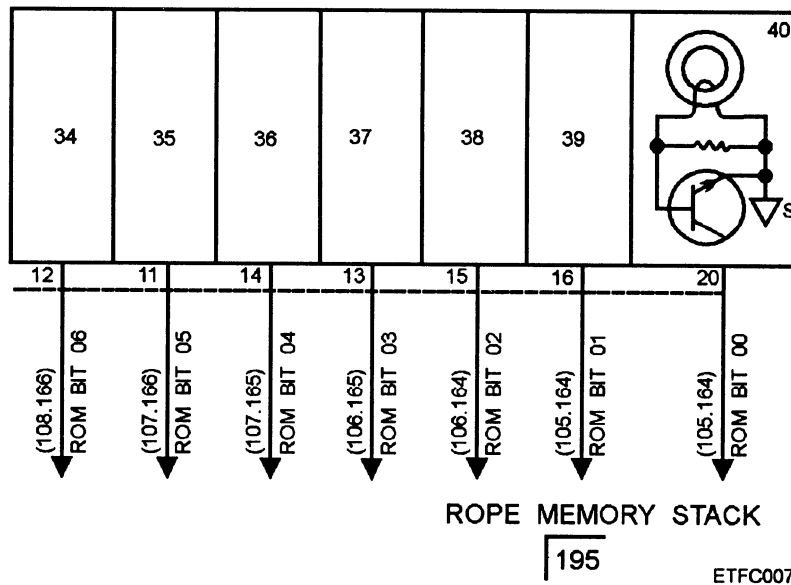


Figure 6-36.—Hardwired magnetic ROM.

For ROM operations to take place, the following events generally take place in the following order:

1. ROM is either selected on the computer's front panel or equivalent of a computer; or the computer is turned on and it is part of the start up routine.
2. The ROM address is translated.
3. The ROM address is selected.
4. The contents of the ROM address are sent to a designated register for transfer to the instruction register.
5. The instruction is sent to the instruction register for translation.
6. The instruction is executed.

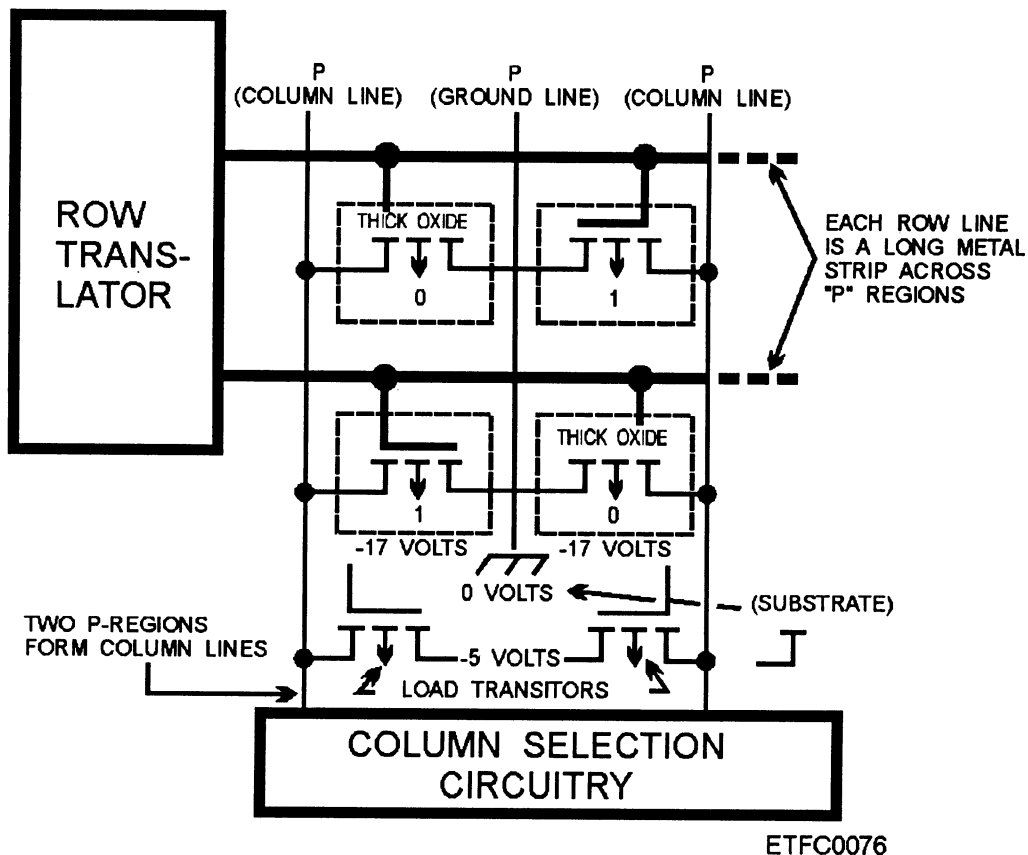


Figure 6-37.—MOS ROM.

Once ROM operations are completed, the computer is ready for normal operational use. For all this to take place, ROM uses circuits in the computer that we have already discussed. In some cases, they are circuits specific for ROM operations. They include:

- Registers and flip-flops
- Timing
- Control signals
- Internal bus

## READ-ONLY MEMORY TYPES

Types of ROMs include the basic ROM that once manufactured cannot be written on again. Other types, called programmable read-only memories (PROMs), can be written on again and again.

### Read-Only Memory

ROMs are prepared at the factory. They are not meant to be changed by the user or the technician. They are only to be changed when a newer version is authorized and supplied to replace the old one.

### Programmable Read-Only memory (PROM)

A PROM is a programmable ROM. Once programmed it acts like a ROM. It can be field-programmed by an authorized technician. Each cell is identified by selecting the row and the column just like locating an address in read/write memory. There are two types of **PROMs—erasable** and **nonerasable**. Erasable PROMs can be erased and reprogrammed. Nonerasable PROMs **cannot** be changed once they are programmed.

There are a couple of ways to create or erase the ones in the array; **electrically** or with **ultraviolet (UV) light**. Some PROMs are electrically programmed but erased with UV light. Others are erased electrically and programmed with the UV light.

**ELECTRICAL.**— An electric charge can be used to either blow fusible links permanently in a cell or used on a special transistor with two gates. With the special transistors, the gate between the memory cell and the column wire is disabled by the electrical charge.

**UV LIGHT.**— UV light is used to erase data in a cell by exposing the IC die to the UV light for a few minutes (usually less than 30 minutes). UV light can

also be used to restore ones to a cell by dissipating the electrical charge that disabled the gate.

**ELECTRICALLY ALTERABLE OR ERASABLE PROM (EAPROM OR EEPROM).**— The EAPROM or EEPROM can be programmed (modified) or erased while it is still in the circuit and used like a nonvolatile read/write memory. EAPROMs/EEPROMs use an electric charge to erase the ones. Some types of EAPROMs/EEPROMs are more versatile; individual cells can be reprogrammed by reversing the voltage used to create a zero. There are some timing constraints that cause the part to need more time for erasure or programming than is needed to read data from the part. Some EAPROM/EEPROMs have a **word** or **byte** erase mode.

**ULTRAVIOLET-ERASABLE PROM (UV EPROM OR EPROM).**— UV EPROMs/EPROMs trap a charge (1) in the cells to represent the data. To release the charge, the cells are exposed to the UV light for 30 minutes or less. UV EPROMs/EPROMs are usually programmed out of circuit. Figure 6-38 is an example of a  $2K \times 8$  UV EPROM; block diagram and pin assignments.

## SUMMARY—COMPUTER MEMORIES

This chapter introduced you to memory types. The following information summarizes important points you should have learned.

**MEMORY**— The main memory of a computer is used for storing programs, data, calculations, and operands.

**MEMORY MODULES**— Memory modules are made up of multiple pcb's (support circuitry) and memory components (stacks [core or film] and semiconductor pcb's) to form one memory module or unit. Memory modules are interchangeable with other modules of the same type and size in the same computer set. Each module provides a fixed number of memory words with a fixed number of bit positions for each word.

**MEMORY ARCHITECTURE**— Memories are typically organized in square form so that they have an equal number of rows (x) and columns (y). Each intersection of a row and a column comprises a memory word address. Each memory address will contain a memory word.

**MEMORY OPERATIONS**— Memory operations operate on a request, selection, and initiate basis. A memory request or selection and a memory word

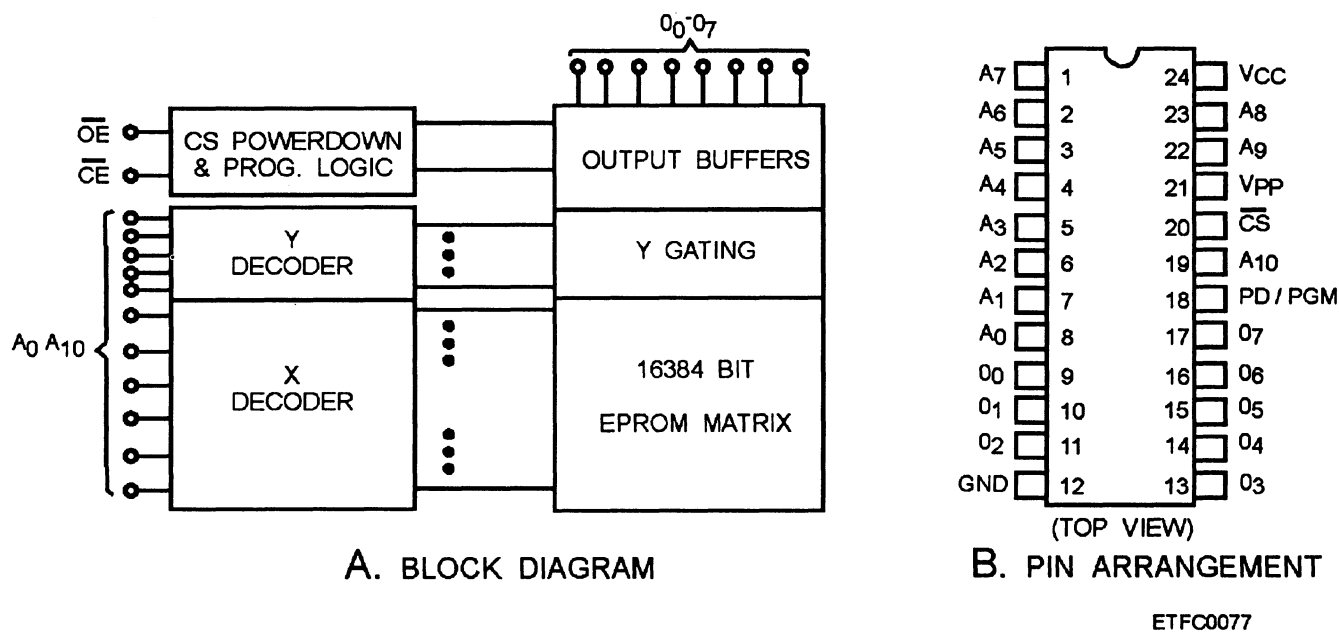


Figure 6-38.—Example of a MOS UV EPROM: A. Block diagram; B. Pin arrangement

location are transmitted from the requestor (CPU or I/O sections) to the memory section. The computer's internal bus system transmits the memory request or selection and location to the memory section.

**READ/WRITE MEMORY**— In read/write memories, the data can be retrieved from memory, altered, and written back into memory. Read/write memories are random access memories. They are categorized according to the materials they are constructed from and not their basic operation.

**CORE MEMORY**— Magnetic core storage is composed of hundreds of thousands of very small doughnut-shaped ferrite cores. The ferrite cores are strung together on grids of very thin wires known as core planes. Each core can store one binary bit (0 or 1) of data. A core is magnetized by current flow through the wires on which the core is strung. A core magnetized in one direction represents a binary zero, and when magnetized in the opposite direction, a binary one. The direction the core is magnetized is dependent on the direction of current flow through the wires on which it is strung.

**FILM MEMORY**— Magnetic film storage is composed of hundreds of thousands of very small "T"- shaped magnetic thin film spots. Two paired thin

film spots are used for each bit position. A film spot is magnetized by current flow through the word line or sense/digit line. A film spot magnetized in one direction represents a binary zero, and when magnetized in the opposite direction represents a binary one.

**SEMICONDUCTOR MEMORY**— Semiconductor RAM refers to semiconductor IC memories that can be used in a read mode as well as a write mode. Semiconductor memories are normally nondestructive readout and volatile memories.

**RAM CHIP**— RAM chips make up semiconductor RAM. They contain large numbers of memory cells and the logic to support them. Each memory cell is an electronic circuit that has a least two stable states. Each of the two-state memory cell circuits can store one bit (0 or 1).

**STATIC RANDOM ACCESS MEMORY (SRAM)**— Static random access memories (SRAMs) are semiconductor integrated circuits that use a flip-flop application for each storage cell. The flip-flops are made of either bipolar or MOS transistors.

**DYNAMIC RANDOM ACCESS MEMORY (DRAM)**— Dynamic random access memories (DRAMs) are semiconductor integrated circuits (ICs)

that operate like a bank of capacitors. The cells are capacitor type circuits; a charged cell equals a logic 1 while a discharged cell equals a logic 0. Each cell consists of a MOS transistor and a tiny capacitor.

**READ-ONLY MEMORY (ROM)**— ROMs are used for various memory applications, such as fixed program storage, look-up tables, and code conversions. The programs on the ROM are actually more hardware than software (firmware). The contents of the ROM

addresses can be used over and over again without alteration. The primary use of a ROM allows the computer to perform its I/O operations.

**PROGRAMMABLE READ-ONLY MEMORY (PROM)**— A PROM is a programmable ROM. Once programmed it acts like a ROM. It may be erasable or nonerasable.

Learn all you can about the memories used in the computers you maintain.



## CHAPTER 7

# INPUT/OUTPUT (I/O) AND INTERFACING

### INTRODUCTION

The input/output section, under the control of the CPU's control section, allows the computer to communicate with and/or control other computers, peripheral devices, other subsystems (display and communication), and systems (fire control, sonar, FTAS, and the like). Take the time to understand your computer's I/O section: its organization, operation, and interfacing format. The latter is very important because if the interfaces for the computer and the external equipment do not match, your computer will not talk to anyone.

**After completing this chapter you should be able to:**

- **Understand the terminology associated with I/O**
- **Describe how your computer's input/output is organized—hardware and software**
- **List and describe how the different operating modes affect the transfer of information**
- **Describe the circuits and their functions in I/O operations**
- **Describe the categories of I/O operations**
- **Recognize how the external equipment in your computer's system is connected**
- **List and describe the types of interfaces used in I/O operations**
- **Describe serial data I/O operations**
- **Describe parallel data I/O operations**

Let's begin your study of input/output with how it is organized in your computer. The different types of computers vary in their organization of I/O, but the basic operations of the serial and parallel **interfaces** are similar regardless of the computer types.

---

### TOPIC 1—TERMINOLOGY

You should be familiar with the following terms before studying this chapter:

- **ANEW** —Army-Navy Electronic Warfare.

- **ANSI** —American National Standards Institute.

- **Data Communications Equipment (DCE)** —Any device that communicates the data; for example, a modem.

- Data Terminal Equipment (DTE) —Any device that can transmit or send data; for example, a computer.

- EIA —Electronics Industry Association.

- External Function (EF) data —The purpose of the EF function is to transfer command information by using the appropriate control signals from the transmitting computer to the receiving device. The word size and bit format of the EF data will be specified by the appropriate system design data or the individual equipment specifications.

- External Interrupt (EI) data —The purpose of the EI function is to transfer status information by using the appropriate control signals from a transmitting device to the receiving computer. The word size and bit format of the EI data will be specified by the appropriate system design data or the individual equipment specifications.

- Gateway —A device that serves as a shared entry point from a local area network into a larger information resource such as a mainframe computer.

- Handshaking —Signals necessary for completing I/O operations.

- Hub —Repeats the signal on the cable.

- IEEE —Institute for Electrical and Electronics Engineers.

- Input —Input refers to input to the computer.

- Input/Output (I/O) word —The I/O word is defined as a digital word of a specified number of bits, which has been agreed upon as the basic unit of communication between interconnected units.

- Input Data (ID) —The purpose of the ID function is to receive information using the appropriate control signals from a transmitting device by the receiving computer. The word size and bit format of the ID data will be specified by the appropriate system design data or the individual equipment specifications.

- IOA —Input/output adapter.

- IOC —Input/output controller.

- Output —Output refers to output from the computer.

- Output Data (OD) —The purpose of the OD function is to transfer information using the appropriate control signals from a transmitting computer to the receiving device. The word size and bit format of the

OD will be specified by the appropriate system design data or the individual equipment specifications.

- Protocol —In a computer, protocol is the procedure required to initiate and maintain operations. For example, I/O operations of a parallel format use a **request** and an **acknowledge** protocol to perform input and/or output operations for the transfer of information between the computer and external equipment.

- RS —Recommended Standard.

- Sink —The sink is defined as that end of a channel that receives information frames.

- Source —The end of a channel that transmits information frames.

## TOPIC 2—INPUT/OUTPUT (I/O) ORGANIZATION

All computers are capable of I/O operations. Some computers rely on the CPU to handle all operations including the I/O operations. These computers simply use the circuits in the CPU to handle the I/O operations. However, the majority of computers use an I/O processor (fig. 7-1) that enhances the capabilities of the computer and relieves the burden of I/O processing from being on the CPU. This allows the computer to perform other operations while still performing I/O operations. In this topic we discuss I/O operations in general terms, using an I/O processor. This includes the physical aspects, data arrangement, format, instructions, operations (modes of operation, timing,

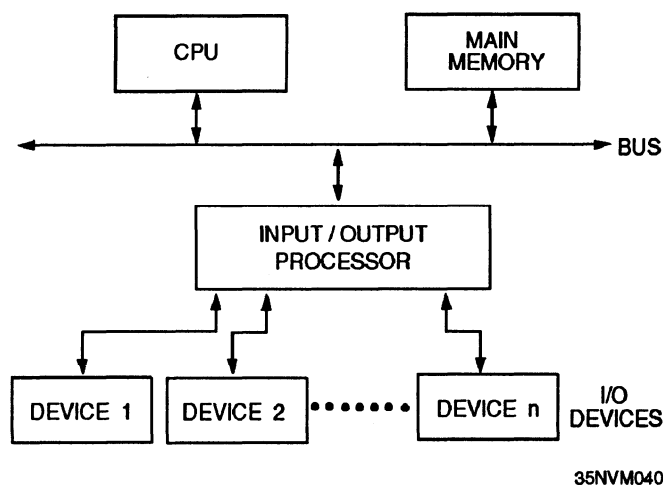


Figure 7-1.—I/O processor in a computer system.

and control), categories of I/O operations, and I/O interfacing.

## INPUT/OUTPUT PROCESSOR

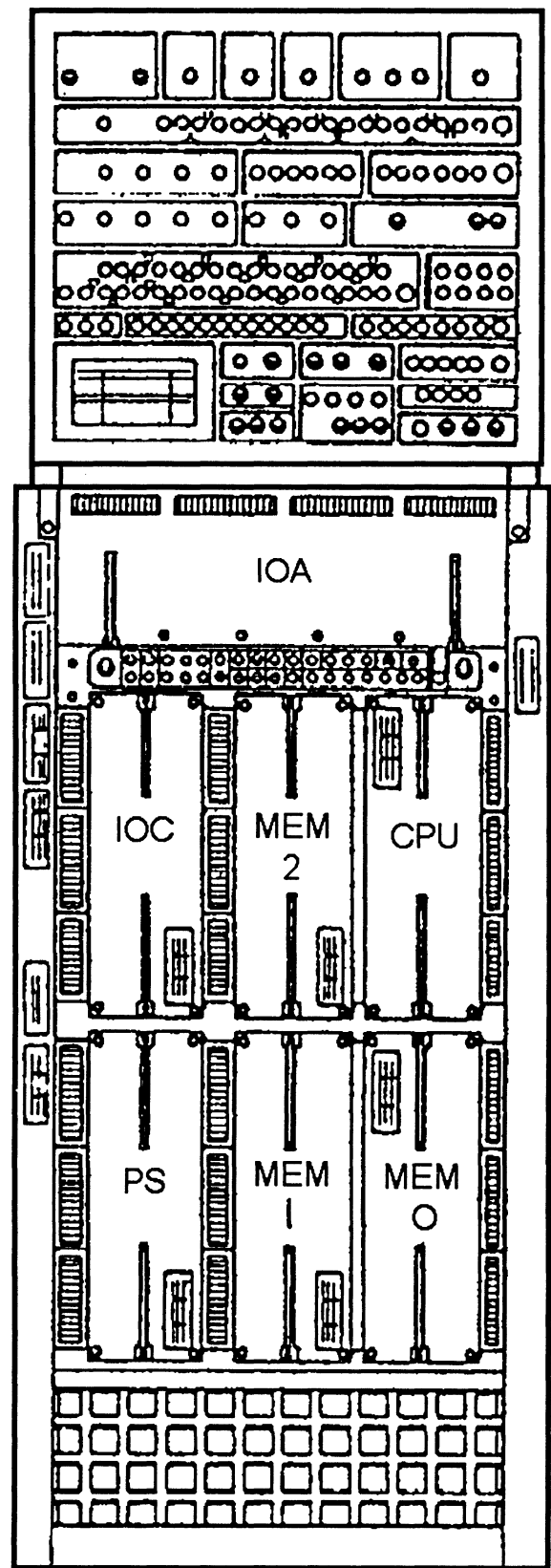
For those computers that have an I/O processor, the physical organization of I/O is similar to the other major functional areas: CPU and memory. I/O processors can vary from many pcb's that make up a module/unit to a single pcb. Larger mainframe computers use the modular arrangement: multiple components on multiple pcb's that comprise one or more modules or units. Mini- and microcomputers use chassis or assemblies, cages or racks, and motherboard/backplane arrangements. Minis and micros use multiple components on one pcb or groups of pcb's (usually not more than seven) to form the I/O processor.

The I/O processor controls the transfer of information between the computer's main memory and the external equipments. I/O processors are packaged two different ways: (1) IOC/IOA modules or multiple IOC/IOA pcb's, and (2) I/O pcb's. Regardless of the setup, computers with an I/O processor will use some sort of controller to regulate the signals in the I/O processor itself (includes IOC/IOA setup) and memory.

### IOC/IOA Module or Multiple IOC/IOA Pcb's

I/O processors that are packaged as IOC/IOA modules or multiple IOC/IOA pcb's are divided into two sections. The two sections are a single module/unit or group of pcb's for the **I/O controller (IOC)** and a single module/unit or group of pcb's for the **I/O adapter (IOA)** (fig. 7-2). Mainframes and some minis use this arrangement.

**IOC.**— The IOC relieves the CPU of the necessity to perform the time consuming functions of establishing, directing, and monitoring transfers with external equipments. Data and control signals are exchanged with external equipments via the IOA. IOCs communicate by means of a bidirectional bus. An IOC is provided with a repertoire of instructions (commands) that varies with the type of computer. The IOC contains the necessary control and timing circuits (digital) necessary to function asynchronously with the CPU and controls the transfer of data between accessible main memory and the external equipments. IOC programs are initiated by instructions from the CPU and executed by a repertoire of IOC commands stored in main memory. Included in the repertoire are those commands that establish the conditions for data



ETFC0078

Figure 7-2.—IOC/IOA modules in a single cabinet configuration.

transfers to and from the external equipments. See figure 7-3 for an example.

**IOA.**— The IOA changes the input and output control and data signal voltages to the voltage requirements of the computer or external equipments. The IOA receives data and control signals from the IOC logic of the computer, and returns data and interfacing signals to the IOC logic. It also transfers data and control signals to the external equipments and receives data and interfacing signals from the external equipments. The IOA logic circuits consist primarily of line drivers/receivers (linear circuits) and timing circuits (digital circuits).

Communication between the IOC and IOA is by means of a bidirectional bus. The IOA communicates

with the external equipments via I/O channels/ports. The connectors for the input and output channels or ports are physically located atop the IOA unit (fig. 7-4) or on the rear of a computer cabinet (fig. 7-5). The type of interfacing will dictate the type of connectors for the channels or ports. The IOA is capable of receiving and sending parallel and serial data.

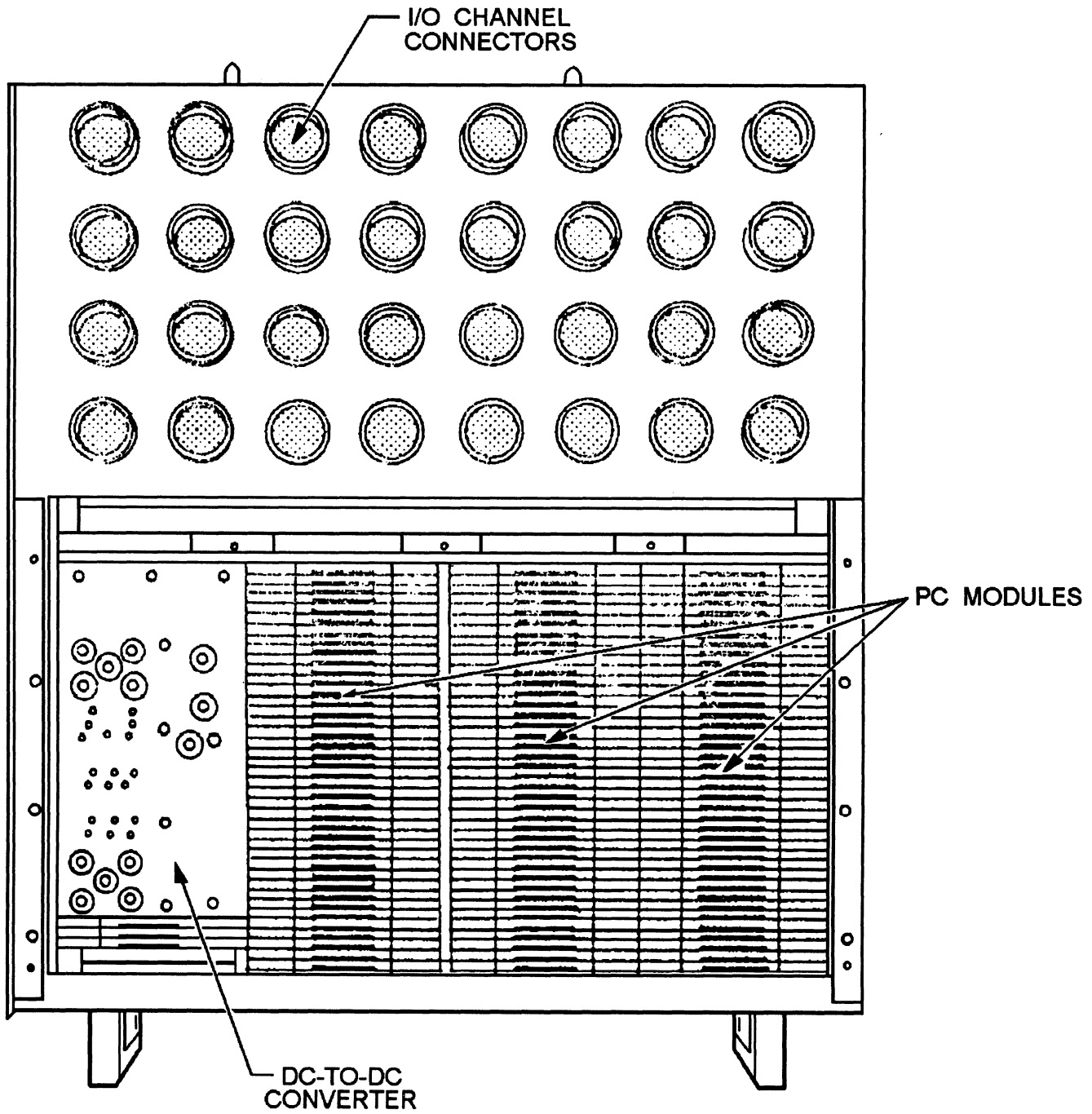
**IOC/IOA INTERFACING.**— The IOA is a completely passive unit and functions under the direct control of the IOC. The driver circuits pass interfacing and data signals to the external equipments. The receivers pass data to the IOC. They are directed by the IOC using input and output control circuits. The request circuits pass interface signals to the IOC

### I/O CONTROLLER (IOC) INSTRUCTIONS

OCTAL FORMAT	CODING FORMAT	NAME	DESCRIPTION	CC/CD	F	ISA REF	
14 k = 2	TFB j,c,m	Terminate External Function Buffer and Chain Activity on C <sub>j</sub>	Terminated EF	m = 1 Allow	N	I	B.9
14 k = 3	TXB j,c,m	Terminate External Interrupt Buffer and Chain Activity on C <sub>j</sub>	Terminated EI		Queued Monitor Interrupts	N	I
15 k = 0	IMIR j,c	Generate Input Monitor Interrupt Request on C <sub>j</sub>	Generate input monitor interrupt on C <sub>j</sub>	N		I	B.10
15 k = 1	OMIR j,c	Generate Output Monitor Interrupt Request on C <sub>j</sub>	Generate output monitor interrupt on C <sub>j</sub>	N	I	B.10	
15 k = 2	FMIR j,c	Generate External Function Monitor Interrupt Request on C <sub>j</sub>	Generate EF monitor interrupt on C <sub>j</sub>	N	I	B.10	
15 k = 3	XMIR j,c	Generate External Interrupt Monitor Interrupt Request on C <sub>j</sub>	Generate EI monitor interrupt on C <sub>j</sub>	N	I	B.10	
16 k = 0	AIC j,y,c	Set Input Chain Active on C <sub>j</sub>	y → CAP <sub>kj</sub> activate chain on C <sub>j</sub>	N	I	B.11	
16 k = 1	AOC j,y,c	Set Output Chain Active on C <sub>j</sub>		N	I	B.11	
16 k = 2	AFC j,y,c	Set External Function Chain Active on C <sub>j</sub>		N	I	B.11	
16 k = 3	AXC j,y,c	Set External Interrupt Chain Active on C <sub>j</sub>		N	I	B.11	
17 m = 0	TBZ kj,y	Test Bit Zero	If (Y) <sub>kj</sub> = 0, skip NI; else NI	Y	I	B.12	
17 m = 1	TBS kj,y	Test BIT Set	If (Y) <sub>kj</sub> = 1, skip NI; else NI	Y	I	B.12	
20	JIO y,c	Jump to Y	y → CAR or CAP; Jump to Y	N	I	B.13	
21	N/A	Illegal	N/A	N/A			
22	LICM kj,y,c	Load IOC Control Memory	(Y) → IOC CMA <sub>mkj</sub>	N	I	B.14	
23	ILTC y,c	Load Realtime Clock	(Y) → IOC RTC	N	I	B.15	
24	SICM kj,y,c	Store IOC Control Memory	(IOC CMA) <sub>mkj</sub> → Y	N	I	B.16	
25 (Bit 25 = 0)	IBS kj,y,c	Set Bit	1 → (Y) <sub>kj</sub>	N	I	B.17	

ETFC0079

Figure 7-3.—Example of a repertoire of IOC commands.



ETFC0080

Figure 7-4.—IOA, top view with I/O connectors.

I/O CONNECTORS

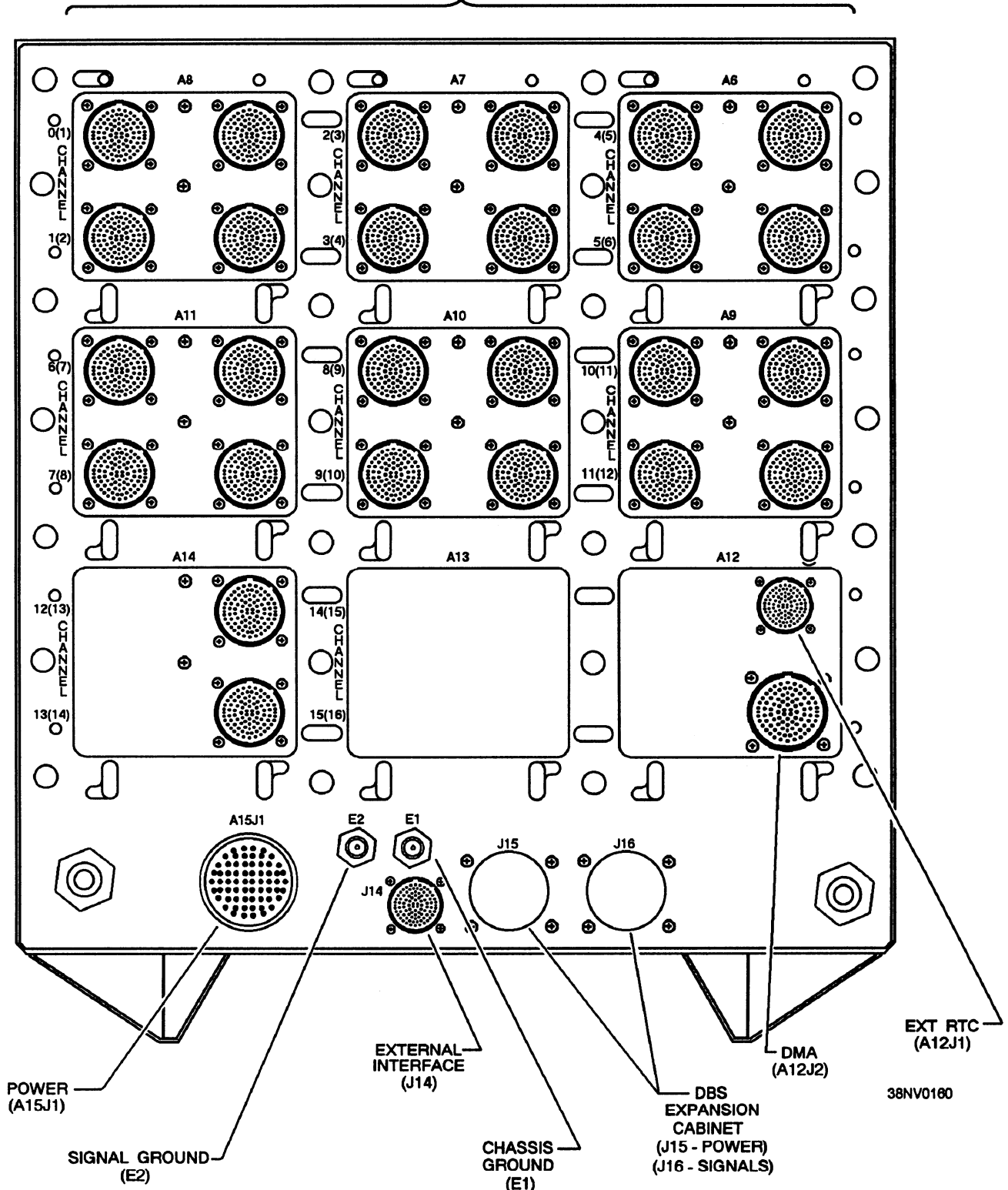


Figure 7-5.—I/O connectors, rear of computer cabinet.

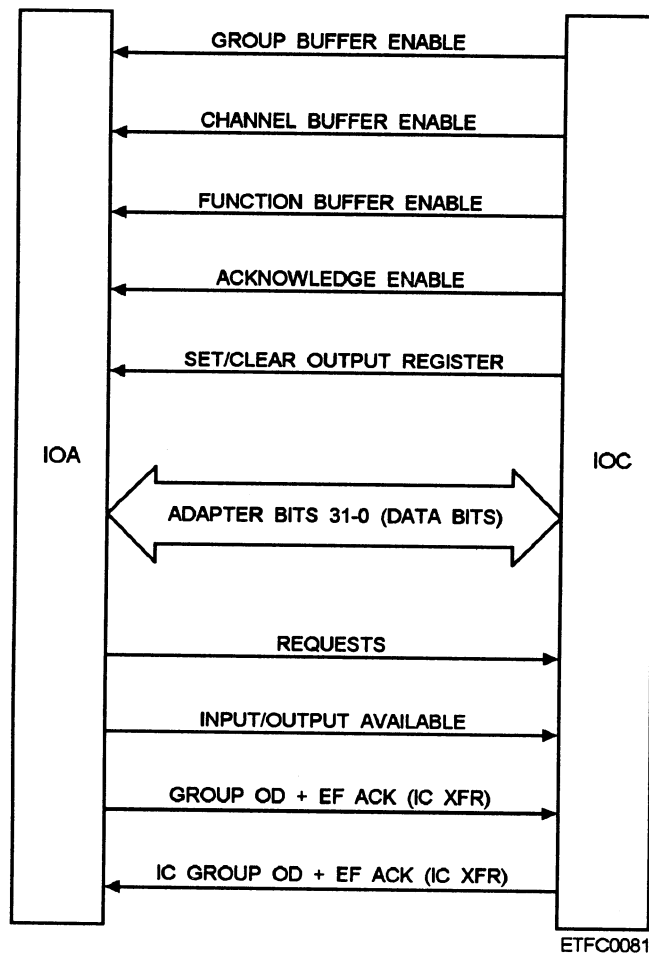


Figure 7-6.—IOA/IOC interface.

(fig. 7-6). Some of the data and control signals exchanged between the IOC and IOA include: “

- Buffer enables
- Acknowledge enables
- Set/clear output register
- Data bits
- Request lines
- Input/output available

### I/O Pcb(s)

In the I/O pcb arrangement, minis and micros have multiple I/O pcb's or a single I/O pcb. When multiple I/O pcb's are used, each I/O pcb will be assigned a number of external equipments for I/O operations. In this arrangement other circuitry will be used that basically performs the same duties as a controller. In the single I/O pcb arrangement, the functions that an IOA would perform are contained on

the pcb to match the electrical **interface** of the external device(s) to that of the computer. The connectors for the input and output channels/ports are usually located on the rear of the I/O pcb (fig. 7-7).

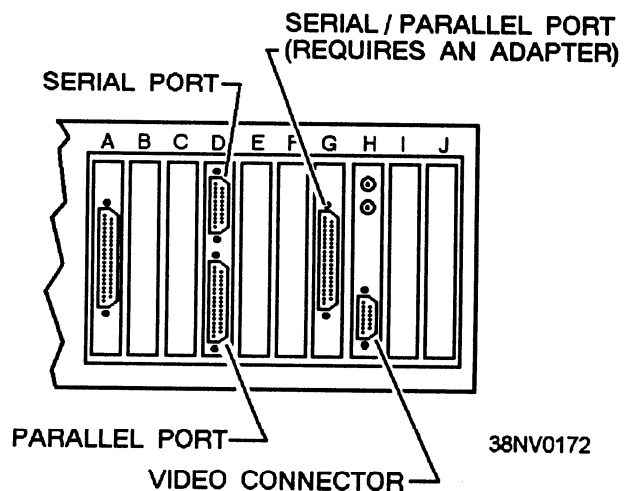


Figure 7-7.—Connector parts on the rear of a microcomputer.

Some arrangements include assigning multiple ports to each channel (fig. 7-8).

Micros usually have only one pcb for their I/O operations: the pcb has both a parallel and a serial port (fig. 7-7). Some minis and micros have dedicated pcb's separate from the I/O pcb(s) to handle the interface for the peripherals and displays. For micros, the interfacing for the keyboard is usually located on the I/O pcb.

### INPUT/OUTPUT DATA ARRANGEMENT

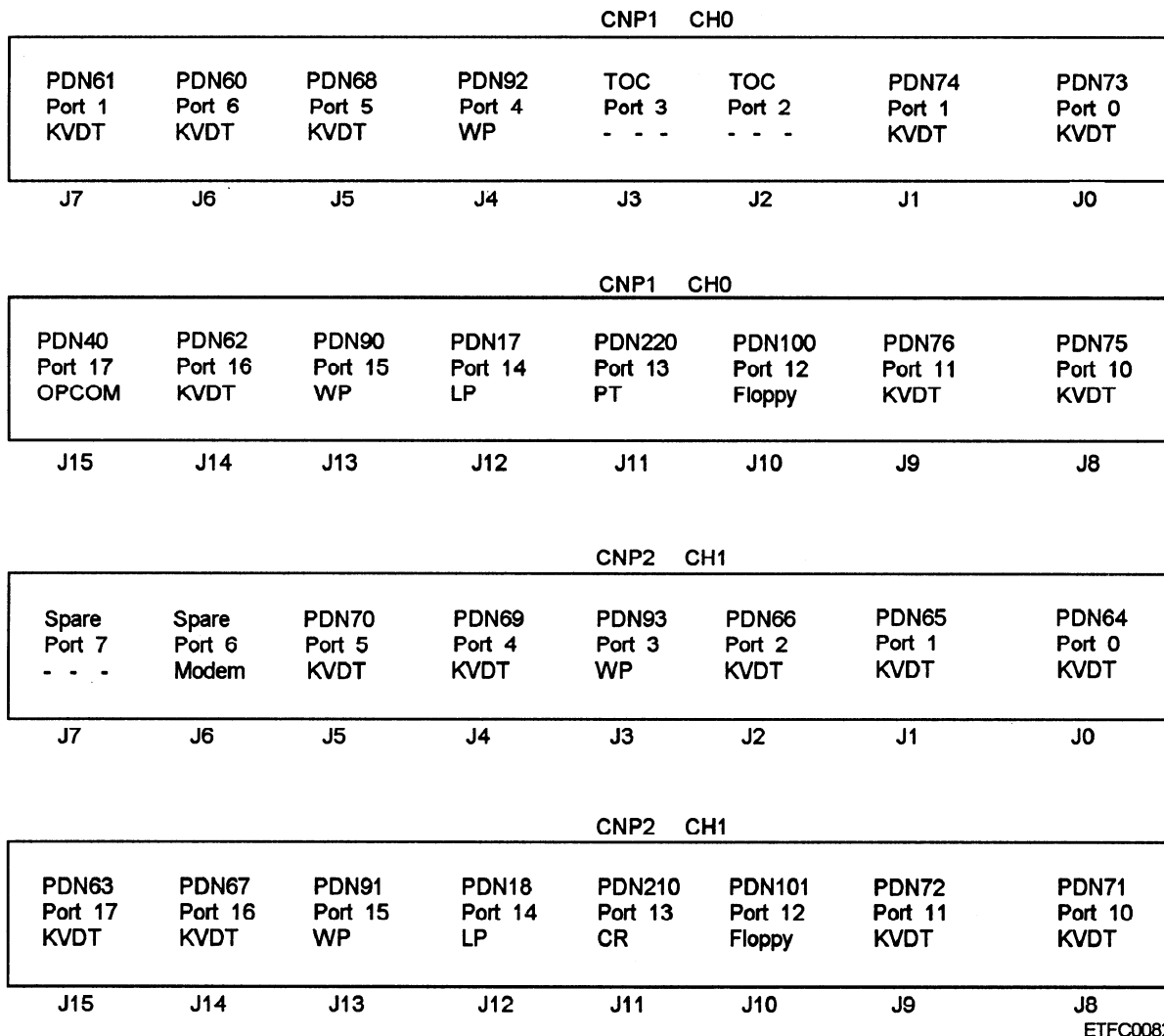
The function of any I/O operation is to exchange information between equipments. Regardless of the techniques used to move the information, there are consistencies in the architectures of the I/O sections used by computers. These consistencies include the **arrangement** of the information exchanged and the **format** of the information exchanged.

### Arrangement

The types of information exchanged between the computer and the external equipments fall into two basic categories: **data words** and **control words**. The length of the information exchanged varies with the type of computer from 8-bit words to 32-bit words.

**DATA WORDS.**— Data words represent the alphabetic and numeric information exchanged. Data words are always thought of with the computer as the reference point. Input data words are data entered in the computer from equipments external to the computer. Output data words are data sent **out** to the external equipments from the computer. Some computers transfer data words that include data and externally specified addresses and index addresses.

**CONTROL WORDS.**— Control words specify an action to be accomplished by an external equipment. This might include an error or special condition of an



ETFC0082

Figure 7-8.—Assigning multiple ports to a single channel.



external equipment or the status of an external equipment, in response to a computer control word. Some examples of control words used by computers include the following:

- Function (command) control words —Function control words are sent by the computer to an external equipment to specify the type of operation it is to perform. The signals used for the control words are often referred to as **handshaking**. An example of a control word would be a function code word telling a printer to print the contents of a specific accumulator register at the location specified by the address in the instruction. Computers that have a control memory use a control memory word to transfer data for I/O buffer operations.

- External interrupt words —External interrupt words are sent to the computer to specify that an error or special condition exists in an external equipment or the status of an external equipment. Review chapter 5 of this volume for a detailed discussion of interrupts: their classification, types (micro, mini, and mainframe), priorities (micro, mini, and mainframe), codes, and handling process.

### Format

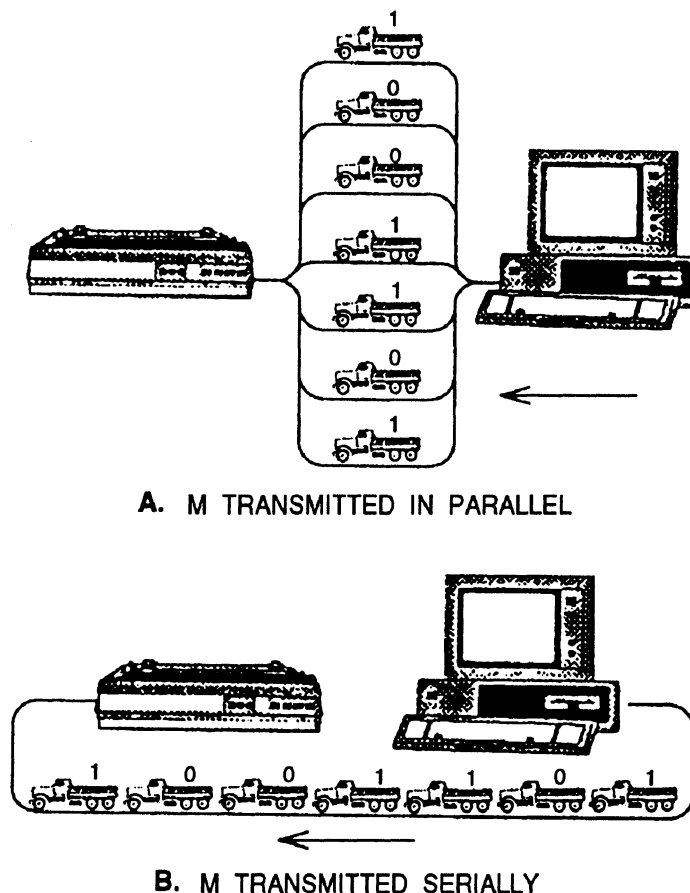
There are two formats of information exchanged by a computer: **parallel** and **serial**. The type of interface will dictate the format of the information exchanged.

**PARALLEL.**— When the computer exchanges information using a parallel configuration, all bits of information represented by a byte or word are input or output simultaneously. In figure 7-9, frame A, we illustrate how the character M is output from the computer to a printer in parallel format.

**SERIAL.**— When the computer exchanges information using a serial configuration, all bits of information are input or output one at a time. Figure 7-9, frame B, illustrates the character M being output from the computer to a printer in serial format.

### INPUT/OUTPUT INSTRUCTIONS

The heart of the I/O section is the input/output processor: an IOC/IOA or I/O pcb arrangement. All computers have I/O instructions. Computers without an IOC/IOA arrangement have other means of



35NVM029

Figure 7-9.—Parallel and serial configurations: A. Character M transmitted in parallel; B. Character M transmitted serially,

optimizing the CPU's time, so the CPU is not involved in all transactions, including the I/O instructions. We cover those methods later in this topic. However, for computers that have an IOC, the IOC is a processor in its own right. We focus our discussion of I/O instructions on I/O processors with an IOC. An IOC is capable of executing its own set of instructions specifically designed to govern I/O operations for those channels/ports handled by the particular IOC. Figure 7-10 shows the format of an example IOC instruction. This format is used for some mainframes and some minis. The designators shown are for a typical I/O instruction and may vary with IOC instructions. Each IOC executes instructions stored in main memory in the same manner as the CPU executes instructions. There are two basic types of IOC instructions: **command instructions** and **chaining instructions**.

Command instructions are executed by the IOC under the control of the CPU's main program. Chaining instructions are executed under the command of an active channel (I/O operation in progress) chain. Some IOC instructions perform the same functions whether it is a command or a chaining instruction.

### Command Instructions

Command instructions provide control over IOC single or dual channel operations. They are executed individually using the following process. The CPU executes an **I/O command start instruction**, which is a CPU instruction. The I/O command start instruction specifies or addresses an IOC(s) and then halts further CPU processing. The addressed IOC then references

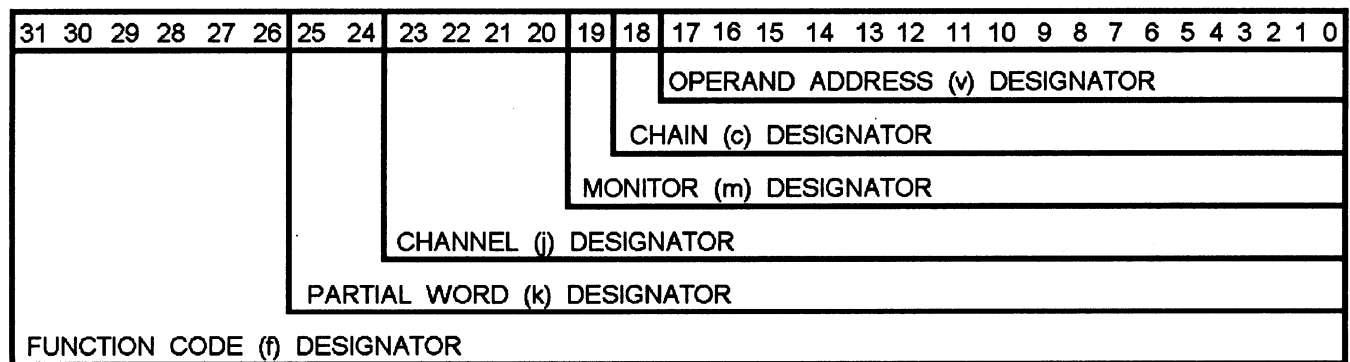
specific main memory addresses (the command cell) and executes the IOC command instruction previously stored in the addresses. At completion of the instruction execution, the IOC will clear assigned bits of the command cells to indicate to the CPU that the command has been processed and to release the CPU to continue further processing. This is one instance in interrupt driven I/O operations where the CPU will delay processing while waiting for an I/O operation to take place.

The instruction contained in the command cell will cause the IOC to perform a variety of channel activity functions. The most common operations deal with initiating a new chain or terminating a chain in progress. Other commands are used to master clear individual channels, enable or disable a variety of interrupts, monitor channel status, load or store control memory, and initiate the IOC built-in test (BIT).

### Chaining Instructions

Chains of IOC instructions are stored in memory by the main CPU program before the I/O operation takes place. The actual execution of chaining instructions is independent of the CPU. Only a command instruction execution from the command cell will delay CPU processing. There can be an input chain and/or an output chain being executed for each channel. Input or output chains deal primarily with the transfer of blocks of information.

A chain consists of IOC control words, command words, output data words, and specified locations for



38NV0162

Figure 7-10.—IOC instruction format.

external status words and data words returned (input) from the channel. The starting address of the chain (and other data) is provided by the load control memory command. The chain's starting address is stored in the channel's **chain address pointer** portion of I/O control memory. The contents of the I/O control memory are used by the IOC to control all channel operations including execution of chaining instructions.

### TOPIC 3—INPUT/OUTPUT OPERATIONS

Input/output operations are initiated by the CPU. Computers with an IOC will begin I/O control functions only after an initiate I/O or equivalent instruction is executed by the CPU. I/O operations under the control of the computer program control the external equipment. Computer instructions inform the external equipment which type of operations to perform with function codes. Computer instructions also specify memory areas for input and output information. Input/output operations do not accept data from external equipments or send information to them unless memory areas for the data have been specified by the computer programs. Whenever an external equipment is ready to send or receive data, a request signal is sent to the computer. How the I/O section notifies or interrupts the control section that an external equipment is ready to send or receive information/data depends on the type of computer. Some constants in all I/O operations include the following:

- When the transfer will begin,
- How many words or bytes will be transferred,
- Word or byte size,
- When each individual word or byte is actually transferred, and,
- When the transfer will terminate.

I/O operations require circuitry that must take action in a specific sequence of events to communicate with the external equipment. In I/O operations, we examine operating modes, I/O circuits, and I/O functions.

### OPERATING MODES

Similar to the CPU, some computers have the capability to select operating modes. These options are usually found with computers that have an IOC. They can be found on the computer's controlling device,

usually a maintenance panel or some equivalent. You can use this option for troubleshooting purposes. Consult the operator's section of your computer's technical manual. As far as the operating modes for I/O operations, these options are usually established at the factory. Again, they usually apply to computers that have an IOC. Some of the operating modes for I/O operations include the following:

- **Single-channel** —The single-channel operating mode allows external equipments to communicate with the computer via one input/output channel.

- **Dual-channel** —The dual-channel operating mode is used by computers with smaller word sizes, say 16 bits, to communicate with external devices using a larger word size (30 or 32 bits). In a dual/channel mode, the data lines for two channels are combined under control of the lower order channel. A pair of sequentially numbered channels (0 and 1, 2 and 3, and so forth) is used for dual-channel operations. The even numbered channel provides the control signals and lower half or lower order data bits. The odd numbered channel provides the upper half or upper order data bits only. The exchange of information over the dual channel is controlled by the even numbered channel's interface signals. Dual channels may use the computer peripheral or intercomputer channel signals.

- **Externally specified address (ESA)** —The externally specified address mode provides the external devices with a means of specifying an absolute memory location for storage (write) or retrieval (read) of information on a word-by-word basis.

- **Externally specified index (ESI)** —The externally specified index mode is identical to regular transfers (input, output, external interrupt, and external function) except that the IOC requires the external device to specify an index address in main memory.

- **Intercomputer channel (IC)** —The intercomputer channel mode permits communication between two CPUs. In this mode, each computer appears as an external device to the other. During operations, the computer that is outputting the data is defined as the sending computer. The computer that is receiving the data from the sending computer is defined as the receiving computer.

### I/O CIRCUITS

In chapter 4, we discussed the circuits used by computers. We also discussed some of the same circuit types in the CPU and memory sections. I/O is no

different; but in addition, I/O operations include not only digital ICs, but also linear ICs. The linear IC circuits are the first and last type of circuitry the information interfaces with when entering and leaving the computer. In this topic, we discuss some of the more common circuits you will encounter when dealing with I/O functions. In addition to the circuits we have discussed in the CPU and memory sections, you must be familiar with **driver** and **receiver** circuits (linear ICs). Review chapter 4 of this volume and NEETS, Module 13, *Introduction to Number Systems and Logic Circuits*. They provide excellent reviews of the circuits and their functions covered in the remainder of this topic. The circuits include:

- Adders
- Command signals (enables)
- Decoders
- Line drivers and receivers
- Registers (includes RTC and Monitor Clock for IOCs)
- Selectors
- Timing
- Translators

One of the primary uses of registers in I/O operations is to provide the interfacing between the CPU, I/O, and memory. They enable and route **control** and **data** information between the CPU, I/O, and memory using the internal bus system. In a computer with no I/O processor, a register will be designated as either an input or output register (fig. 7-11). Decoder circuits are used for address translation, control circuits for governing the operation of the interface, data registers, and status registers for information exchange. The data registers are used to hold or **buffer** data during interchanges between the very fast CPU and the slower external equipments. The status registers hold information for the CPU that indicates the operating condition and current activities of the external equipments. We discuss external interfacing later in this topic.

## INPUT/OUTPUT FUNCTIONS

The input and output functions performed by an I/O processor are defined and enabled through the interpretation and execution of input/output and/or input/output controller (I/O(C)) commands obtained from main memory. The I/O circuits provide the

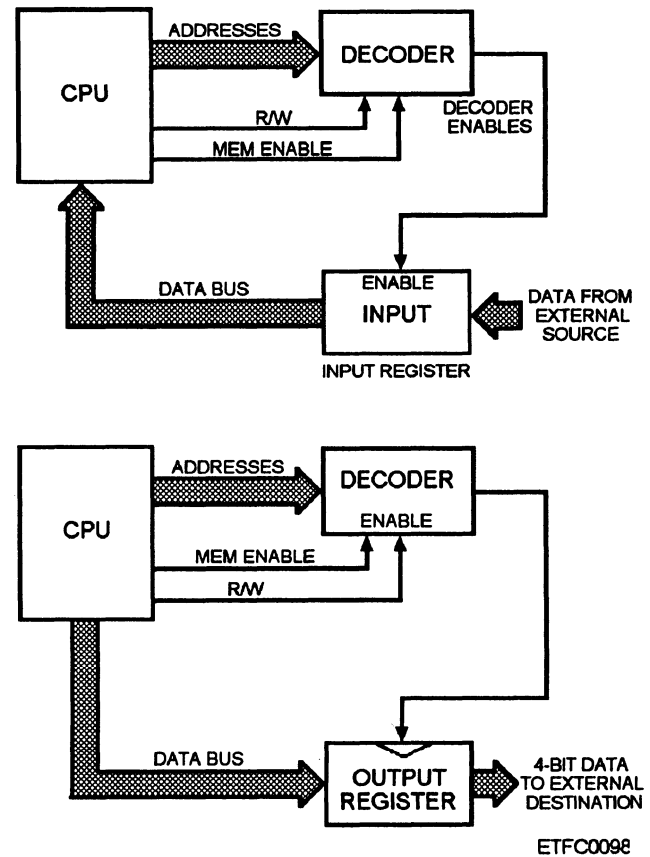


Figure 7-11.—Computer operations with no I/O processor using registers.

timing, control, temporary storage, routing, command translation, and interfacing (internal and external) to perform I/O operations.

## Timing Circuits

As we discussed in the memory section, timing circuits also will provide the enables to manage the I/O control circuits used for I/O operations. Some computers use the computer's master clock and one or two other timing signals derived from the master clock to control the flow of data in I/O operations; an example of this is the timing used in microcomputers. Still other more complex computers, such as mainframes and minicomputers, rely on a master clock and main timing circuits in the respective functional area (CPU, memory, or I/O) to produce and distribute timing signals to the I/O control circuits.

In computers with an IOC, their I/O master clock and timing circuits operate completely independently of the CPU timing. Their master clock is started when the computer is initially powered on or auto restarted. It can only be stopped or temporarily halted under

certain conditions, such as a computer master clear or a read/write memory reference.

## Control Circuits

The I/O control circuits are under the direct or indirect control of the program. The I/O control circuits decode I/O commands from the CPU and generate the required signals to execute the instructions. The timing circuits coordinate control circuit operations. Computers with an IOC operate independently from the CPU after they receive an initiate I/O instruction and control all I/O operations. Depending on the computer type, some of the more common uses of the control circuits include the following:

- Logic to decode I/O commands
- Logic to generate signals to execute I/O instructions
- Logic to evaluate priorities of I/O requests
- Logic to execute buffered and unbuffered requests

A term used quite often with I/O control operations is the term *buffer*. A buffer is nothing more than a sequential set of memory locations that contains data to be sent out or an area that is set aside for data to be received. A buffer is considered to be terminated when all the words or bytes in the assigned memory locations have been sent or received. Unbuffered operations are where data is exchanged **within** the computer between the CPU and various parts of the computer. Unbuffered operations do not establish limits when transferring information. Buffered operations, on the other hand, are for the expressed purpose of transferring information to and from the computer and an external device; they have established buffered limits. For example, addresses 00<sub>8</sub> through 17<sub>8</sub> in memory maybe set aside to receive data into the computer. A buffer can also be called a **frame**.

## Sequencing

The I/O processor executes I/O commands using sequencing circuits in a manner similar to the CPU. Like the CPU, the I/O processor's sequencing circuits control the order in which events will be executed based upon the translated function code and modifying designators. To complete a particular I/O command, CPU instruction, or maintenance console/equivalent action (if available) may require the I/O processor to run one or more of the available sequences. A processor

may have up to six sequences depending on the design of the computer.

## I/O Interface Circuits

The CPU interfaces with the I/O processor through the CPU's I/O instructions. These instructions cause the initiation of I/O operations. For computers with an IOC, the instructions allow the CPU to access the RTC or the monitor clock. This communication is done via the bus system. The communications lines include some of the following:

- Request lines (initiate I/O instruction)
- I/O(C) select lines
- Data lines
- Data ready
- Interrupt requests

## I/O Memory Reference

The I/O processor references main memory during specific sequences such as an instruction or a maintenance console/equivalent action (if available). The bus allows this to be performed asynchronously. The I/O processor acquires I/O commands, output data, and operands from main memory and presents the information for storage into a main memory location over a bus. Some of the lines of communication include the following:

- I/O memory selection
- I/O read reference
- I/O write reference

## I/O Control Memory

I/O processors can also use an I/O control memory, which is used primarily by mainframe and minicomputers containing an IOC. I/O control memory words are set aside in main memory to control data transfers for I/O buffer functions. I/O control memory is capable of handling parallel or serial information.

**PARALLEL OPERATIONS.**— In parallel operations, each I/O channel has its own block of memory addresses (usually 16). They include blocks for input, output, external function, and external interrupt operations. Some of the items included in parallel operations are as follows:

- Buffer control words (BCWs) —Buffer control words control the type and number of words or bytes that are to be transferred by the pending operation. Transfers include 8-bit bytes, 16-bit single words, and 32-bit words.

- Buffer address pointers (BAPs) —Buffer address pointers specify the next memory address, within the buffer, for a transfer to take place.

- Chain address pointers (CAPs) —There is one chain address pointer for each input and output chain of a channel. Each CAP specifies where in memory the IOC can find the next chaining instruction.

**SERIAL OPERATIONS.**— Serial operations are affected by character size (5 to 8 bits), parity selection (odd, even, or none), baud rate (50 to 9600 baud), and synchronous (sync) or asynchronous (async) interfacing. Some of the items included in serial operations are as follows:

- Monitor words —Monitor words are used to store characters for comparison with received (input) data characters.

- Suppress word —A suppress word contains a code that is used to remove specific characters from the serial transmission stream.

**CONTROL MEMORY OPERATIONS.**— The contents of control memory are accessed and modified through the use of IOC command or chaining instructions. The exception is actual data transfers in which the IOC logic updates control memory for each word or byte transferred. The basic operations that deal with control memory are the following:

- Initiate transfer (command or chain) —Initiate transfer loads the input or output BCW and BAP in control memory for the channel specified and initiates the input or output transfers.

- Load/write control memory (chain) — Load/write control memory is used to load or write data into single control memory word locations.

- Store control memory (command or chain) — Store control memory is used to write the contents of a specified control memory address into a memory address for CPU processing.

- Set/clear flag (chain) —A set/clear flag is used to set or clear (zero) specified bits or bit groups in control memory or main memory locations or the channel status word. It is also used to set or clear the test bit in the channel status word for conditional jumps.

- Search for sync/set suppress/set monitor (chain) —The search for sync/set suppress/set monitor enables or disables sync, monitor, and suppress capabilities indifferent serial configurations.

- Set/clear discrete (command and chain) — Set/clear discrete is similar to set/clear flags except that the set/clear discrete deals with serial interfaces exclusively. It is used to turn on or turn off specific serial channel signals such as data terminal ready.

- Channel control (command or chain) —Channel control performs a variety of single and multichannel functions. It can be used to master clear a single or all IOC channels, input or output. It is also used to enable or disable all, low priority, or a single channel's interrupts (external or class III interrupts).

## CATEGORIES OF I/O OPERATIONS

There are two ways that the I/O section will handle the transfer of data between the computer and the external units: direct CPU/external device (**direct CPU interface**) communication and **direct memory access (DMA)**. Each method has its advantages and disadvantages. We begin with direct CPU/external device communication.

### Direct CPU Interface

With direct communication, also called **accumulator based I/O**, the peripheral devices are tied directly into the CPU communication bus (control bus, data bus, and so forth). In a simple I/O scheme, the CPU handles all I/O transactions by executing one or more instructions for each word of information transferred. Three techniques are used: memory mapped I/O, polled I/O, and interrupt driven I/O.

**MEMORY MAPPED I/O.**— In memory mapped I/O, the CPU accesses the I/O device by placing appropriate addressing information on the bus. The addressing information uniquely identifies the device and possibly several addressable locations within the device. Thus an addressable location in an I/O device might be treated as a memory location in the computer. This enables the CPU to transfer data to and from the I/O device in the same way as main memory transfers. The following is an example:

Each I/O channel is assigned four memory addresses in main memory or in logic circuitry (registers) that replaces or overlays four sequential main memory addresses. These four addresses or registers are used to store the following data:

- address n — External Interrupt Code Word
- address n + 1 — Input Data Word
- address n + 2 — Output Data Word
- address n + 3 — Channel Control/Status Word

These addresses also allow the IOC/CPU to perform interrupt driven or polled I/O operations. Addresses n + 1 and n + 2 can be used as single word buffers for polled operations with the channel status word (n+ 3) acting as the status word for the CPU to periodically sample (poll).

**POLLED I/O.**— In polled I/O, the CPU must regularly check— or **poll** — each channel or port in turn to determine if it has information for input or is ready to accept data for output. A flag register can be used to check the port’s status. Polling is time consuming. The CPU must pause between executing processing instructions and poll of each port. A port’s status is examined in case action is required by the computer. We use a keyboard as an example of polled I/O. Figure 7-12 shows a read operation. The CPU reads or receives 8-bit encoded characters as they are typed on the keyboard. The CPU is programmed to read the input characters from an external device, in this case a keyboard. The keyboard inputs parallel 8-bit character codes for each depression of the keys. Characters are entered slowly as compared to the CPU’s ability to

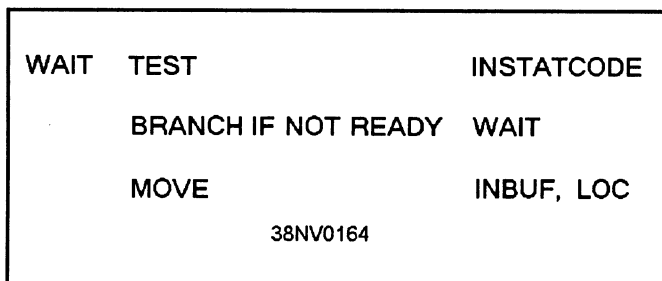


Figure 7-12.—Polled I/O; read operation,

process them. The dedicated CPU has to wait until the next character is entered each time.

The CPU is programmed with what is known as an **I/O wait loop**. As the CPU executes the loop instructions, it periodically (say 20 times a second) checks the status code from the keyboard to see if a character has been entered. A data register, INBUF, in the keyboard interface receives the character data from the keyboard. It holds the data until read by the CPU. A status register, INSTATCODE, indicates whether there is a new character in the INBUF register. By continuously testing the status register, the CPU detects when the code for a data entry is present. The CPU then executes the instructions to transfer the data from the data register to the specified location in the computer. Once this has completed, the CPU returns to the wait loop and polling process. The same procedure can be used for output or write operations. Figure 7-13 shows an output operation. In this case, the data is moved from a computer location to the data output buffer of the output device.

One of the disadvantages with polled I/O is that it involves the CPU throughout the input/output process. This is wasteful of CPU time. The CPU spends time executing input/output instructions that it could be spending performing other operations. Direct CPU interface has its place, particularly in small computers that are not concerned with high-speed operations and processing very large amounts of data. Most of the larger computers, however, use interrupt driven I/O.

**INTERRUPT DRIVEN I/O.**— The interrupt technique requires more complex hardware and software, but makes far more efficient use of the computer’s time and capacities. In an interrupt driven I/O, the I/O section itself is capable of accessing memory via the computer communication buses. The I/O processor can, while conducting I/O operations,

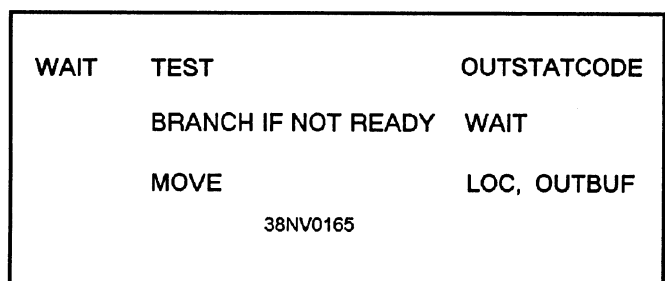


Figure 7-13.—Polled I/O; write operation.

read data from memory (**output**) or write data into memory (**input**). The CPU still provides overall control of the I/O operations, but it is not directly involved in the actual data transfers between memory and the external equipments. When the I/O section is capable of memory access, the CPU provides I/O commands to an **I/O controller (IOC)** or **processor** and then goes about processing other necessary operations. The IOC in turn controls all I/O operations and **interrupts** the CPU operation when necessary to inform it of event completion or problems with an I/O interface channel or external device.

With this method, the CPU concentrates on its essential business of processing information. We use the keyboard again as our example. The keyboard is ready to input characters. The keyboard interface signals the CPU when a valid character is available in its INBUF buffer. The CPU is performing some computational task, when the keyboard sends an interrupt request that generates an interrupt in the CPU. When the interrupt request arrives, the CPU leaves its current task, but not before making arrangements to save all the data from computations just previous to the interruption. The CPU leaves its current task and executes the appropriate service routine. In this case it receives the input from the keyboard interface and promptly sends it to the desired location in the computer. When the information has been routed to its desired location and the input operation has been completed, the CPU returns to its previous task. Review chapter 5 of this volume for a detailed discussion of the interrupt process.

An interrupt request can occur at any time. To avoid confusion, most computers use a priority system for requests in the event that two or more interrupts arrive simultaneously. Interrupt driven I/Os use a priority system to honor requests and interrupts. The priority system is divided into channel and function priorities. The channel priority performs priority determination of requests and interrupts based on the channel number. Figure 7-14 reflects channel priority of a computer with 16 channels. Notice how they are grouped and prioritized. Function priority determines the order of honoring requests and interrupts when channel priority honors more than one request per channel. See figure 7-15.

GROUP	CHANNEL (OCTAL)	PRIORITY
0	0	
	1	
	2	
	3	
1	4	
	5	
	6	
	7	
2	10	
	11	
	12	
	13	
3	14	
	15	
	16	
	17	

38NV0166

Figure 7-14.—Channel priority determination.

Depending on the type of computer, interrupts are categorized and the program can be written to meet specific requirements when an interrupt occurs. Some interrupt requests cannot be ignored. For example, when a power failure interrupt occurs, the computer is given the needed time to save information before the computer system shuts down.

### Direct Memory Access (DMA)

When the CPU is directly involved in each of the I/O data transfers, it slows down the process of moving information in and out of the computer. The use of

FUNCTION	PRIORITY
EXTERNAL INTERRUPT	
EXTERNAL FUNCTION	
OUTPUT DATA	
INPUT DATA	

38NV0167

Figure 7-15.—Function priority determination.



## TOPIC 4—INPUT/OUTPUT INTERFACING

direct memory access (DMA) gives the computer an advantage-speed. It allows information to be moved quickly in and out of memory without the intervention of the CPU. DMA is given control and takes over from the CPU as director of electronic traffic on the computer's network of communication buses. It allows blocks of information to be transferred directly in and out of memory and from and to an external device without any CPU intervention. Information is transferred at a speed compatible with the speed of the external device. Therefore, the use of DMA would be advantageous when using a high-speed external device, such as a magnetic disk. The DMA acts the same as an I/O processor; it is just another method to control the flow of information.

A DMA controller is usually placed between the external device and the computer's bus. The controller uses circuits consistent with the computer's other major functional areas. The controller consists of several functional parts. Two counter registers are used. One generates the next main memory addresses from which information is read or in which it is stored. This counter register is incremented by successive information transfers. The second counter keeps track of the number of information words that are remaining to be transferred. A **data** register serves as a buffer between main memory and the external device. And of course, the **control** circuits, will control DMA operations. Other registers are provided for more complex external devices.

In its most usual form, a DMA assumes command of the computer's bus when the DMA controller receives an interrupt signal from an external device. It then gives the CPU a hold/suspend operations message. The CPU will respond with a hold-acknowledge signal. It turns over control of the bus and then, in effect, takes a short break. Meanwhile, the DMA controller moves information between main memory and the I/O external devices and independently carries out the I/O transfers. The DMA controller will inform the CPU when it is finished with an interrupt. During DMA operations, the CPU performs other tasks. If the CPU and the DMA controller try to access main memory simultaneously, the DMA has priority.

Input/output (I/O) interfacing is affected by many factors. Among them are the method of connection, serial or parallel interfacing, and the type of equipment the computer is interfacing with. Input/output operations allow the computer to communicate with an assortment of external devices. Most computers use an I/O processor of some sort, so we concentrate our discussion in that area. The external devices are connected to the I/O processor via **I/O channels** or **ports**. An I/O channel or port is nothing more than the wiring necessary to interconnect the computer's I/O processor with one or more external devices. The type of interfacing used will dictate the wiring of each channel or port. Computers may have a small number of channels or ports with multiple equipments connected to each channel, or they may, particularly in larger computers, have a number of I/O channels with limited numbers or types of external equipments on each channel or port.

### METHODS OF CONNECTIONS

There is a great deal of variety not only in the types of external devices but also in the methods of connecting them to a computer. One thing that computer external devices have in common is that they communicate with the computer indiscrete binary data. The function of the external equipment may be to convert that data to other forms, but when a data exchange is done over I/O channels, the data exchange is in some form of binary data. We now look at two methods of connecting the external equipments where more than one external device is involved: daisy chaining and independent request control.

#### Daisy Chaining

When more than one peripheral device is connected to a single port/channel, a technique called daisy chaining is used. When daisy chained, the peripheral devices receive or transmit information over a common path. A separate set of addressing or control lines is used to identify (address) specific devices and to control the transmission or reception of information. When the CPU dictates the use of the computer's bus, there is no difficulty in deciding which external device will have access to the computer's bus.

But in more complex situations, such as DMA transfers, simultaneous requests for the computer's bus may be made by two or more external devices. Then a

preset method decides the order in which the devices can use the computer's bus. Refer to figure 7-16 as you read. An I/O controller of some type will correspond with the external devices. When an external device requests control of the bus, it signals the controller by activating the common **bus request** line. The devices on the line have **ORed** connections. The controller **acknowledges** the use of the bus on a separate line. The I/O controller will scan the chain with an acknowledge signal until it reaches the external device that requested the bus. The external device stop further propagates the acknowledge signal and accesses the bus. When two or more devices request control of the bus, the external devices closest to the I/O controller will be granted access to the bus first. Thus the order of connection on the daisy establishes the priority of which external devices are given access to the computer's bus.

### Independent Request Control

Independent request control (fig. 7-17) offers a faster and more flexible way to the control bus requests. In this method, separate lines are used for the **request** and **acknowledge** lines. The I/O controller assigns **priority** to each external device, which can be fixed or programmable. A combination of the two methods produces greater flexibility when dealing with simultaneous requests, particularly when dealing with interrupt driven I/O. When signaled on a common interrupt request line, the CPU can poll all external devices in a **predetermined** order to find which external device needs to be serviced. This method is entirely software. Generally speaking, computers that use a request and acknowledge system, prioritize the **functions** and the **channels**. Some of the functions, in descending order, include the following:

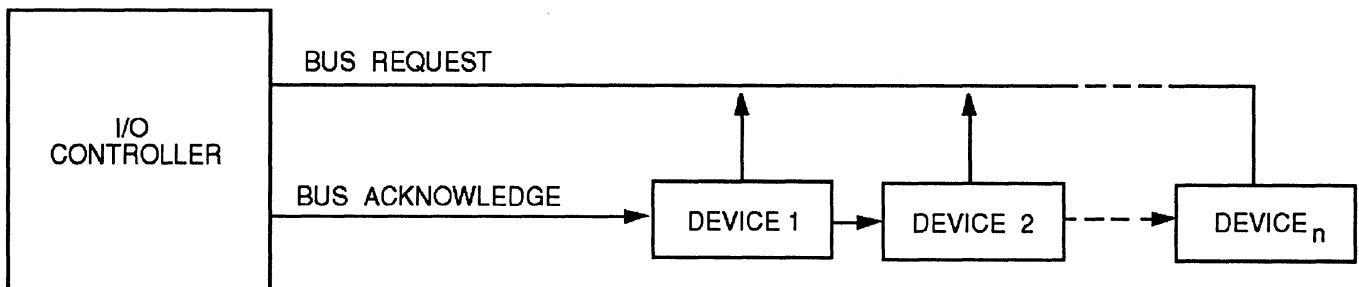
- External Interrupt
- External Function
- Output Data
- Input Data

The channels/ports are also prioritized. Equipments are assigned a channel/port and usually the channel with the highest number will be serviced first by the computer. Figures 7-14 and 7-15 apply.

### I/O INTERFACING STANDARDS

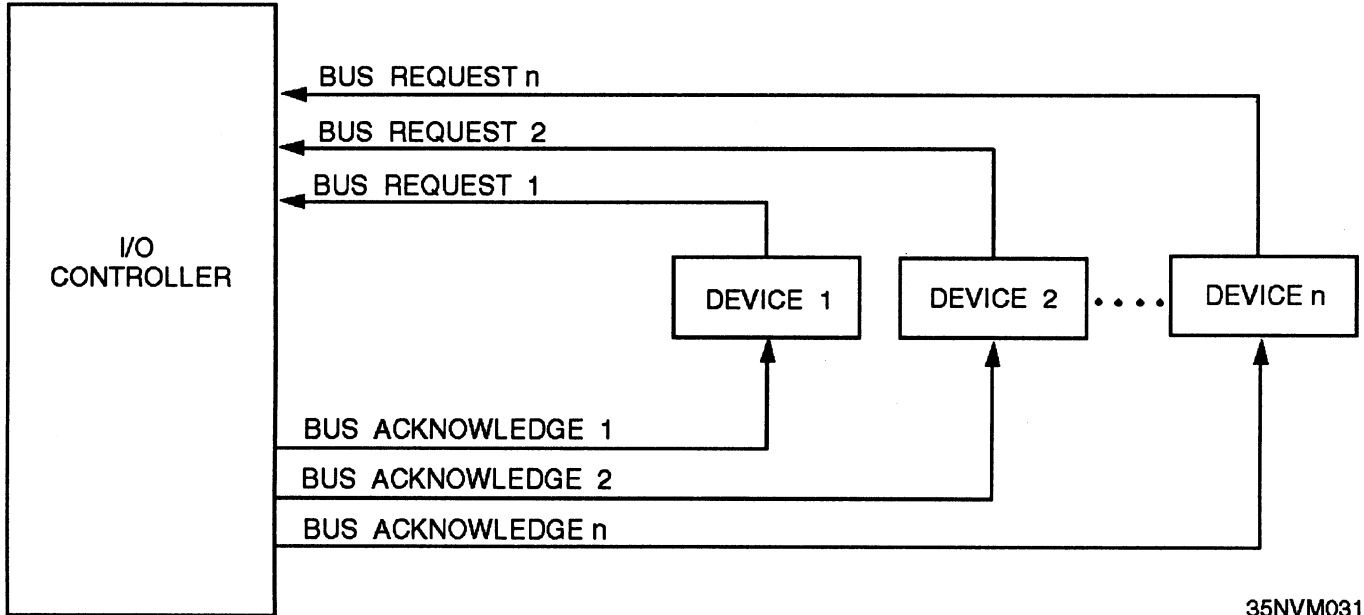
There are two major types of computer/external equipment communication formats: **serial** and **parallel**. The communication **formats** are governed by the **standard** that is identified by the **interface**. The interfacing standards provide valuable information. As a general rule the standards can be divided into four categories: mechanical, electrical, functional, and procedural. The standards can provide other standards that must be adhered to but do not fall into any one of these four categories.

- Mechanical —The mechanical portion takes into account such things as the type of connectors to be used, the number of pin connections in the connectors, and the maximum cable lengths allowed.
- Electrical —The electrical characteristics include the allowable line voltages and the representations for the various voltage levels.
- Functional —The functional interface specifies such things as which signals-timing, control, data, or ground leads—are to be carried by each pin in the connector.



35NVM030

Figure 7-16.—Connecting external devices in a daisy chain.



35NVM031

Figure 7-17.—Independent request control.

• **Procedural** —The procedural characteristics define how signals are to be exchanged and the environment necessary to input and output data.

No matter the format, **I/O interfacing components** are generally used by most computers regardless of the computer type.

### I/O INTERFACING COMPONENTS

The computer's I/O processor, regardless of the type of computer and regardless of the type of format (serial or parallel) must ensure that the voltage levels between the computer and the external equipments are compatible. The primary circuitry that accomplishes this is located on an I/O pcb or modules/pcb's that make up an IOA. Some of the primary I/O interfacing hardware includes universal receiver transmitters, line drivers, and line receivers.

#### Universal Receiver-Transmitters

Within a digital computer, the data is transferred internally using a parallel format. All the bits of a byte

or memory word are exchanged simultaneously between registers, buses, and other computer logic. For the data to be communicated over a serial channel, it must be converted from parallel to a serial bit stream. Universal receiver-transmitters come in three types: universal asynchronous receiver-transmitters (UARTs), universal synchronous receiver-transmitters (USRTs), and universal synchronous/asynchronous receiver-transmitters (USARTs). A UART, USRT, or USART may be built into the computer or added as part of an I/O pcb or serial interface board. Modern UARTs, USRTs, or USARTs may consist of a single IC chip.

We take a look at a USART as an example of this type of logic assembly. The USART is designed to function as a peripheral device to the microprocessor. The microprocessor transmits byte-oriented data (data and command/control words) to the USART and receives byte-oriented data (data and status words) from the USART. The actual conversion from serial to parallel or parallel to serial is performed by the USART and is transparent to the microprocessor. The standard

USART chip (fig. 7-18) is composed of logic circuits, which are connected by an internal data bus. The logic circuits are read/write control logic, modem control, data bus buffer, transmit buffer, transmit control, receive buffer, and receive control.

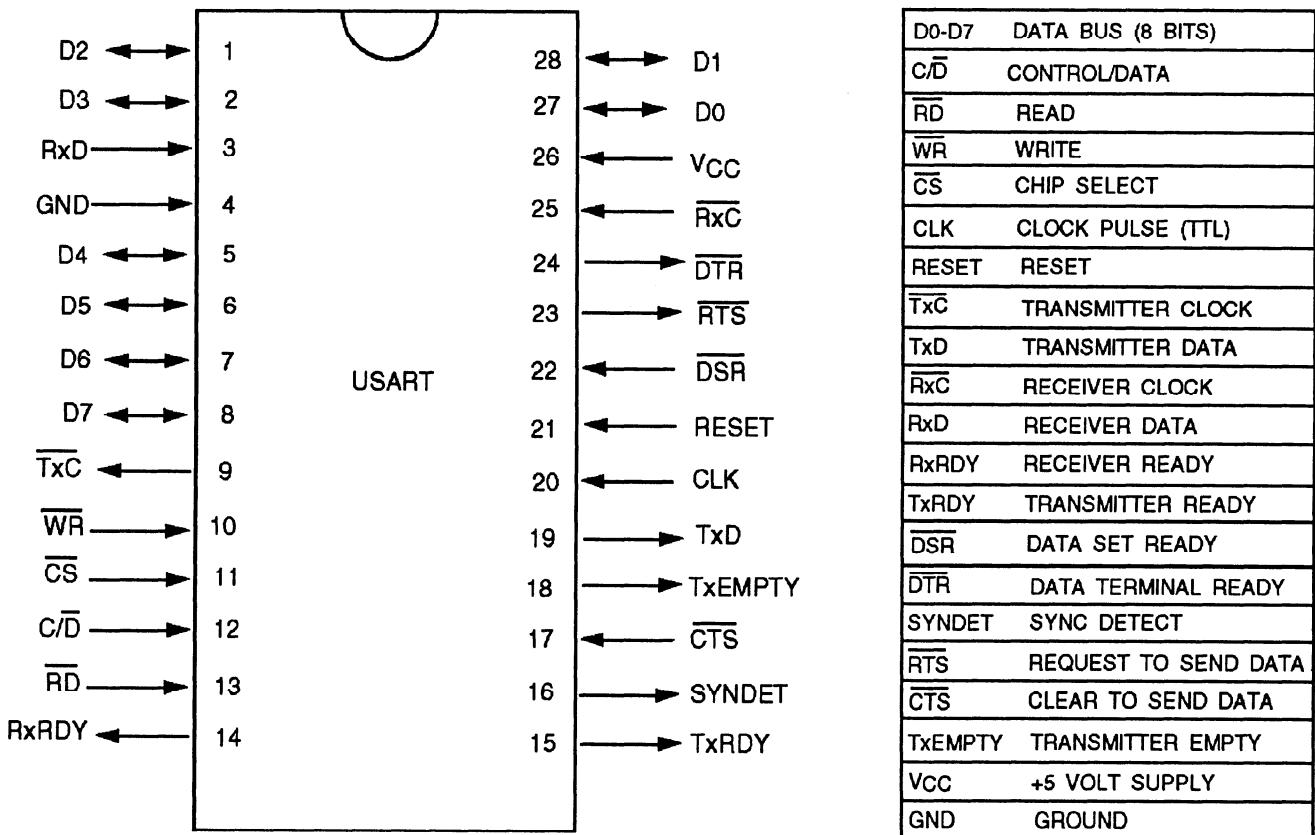
The CPU communicates with the USART over an 8-bit bidirectional tristate data bus. The USART is programmable, meaning the CPU can control its mode of operation using data bus control and command words. The read/write control logic then controls the operation of the USART as it performs specific asynchronous interfacing.

**READ/WRITE CONTROL.**— The read/write control logic accepts control signals from the control bus and command or control words from the data bus. The USART is set to an idle state by the RESET signal or control word. When the USART is IDLE, a new set of control words is required to program it for the applicable interface. The read/write control logic receives a clock signal (CLK) that is used to generate internal device timing.

Four control signals are used to govern the read/write operations of the data bus buffer. They are as follows:

- The CHIP SELECT (CS) signal, when true, enables the USART for reading/writing operations.
- The WRITE DATA (WD) signal, when true, indicates the microprocessor is placing data or control words on the data bus to the USART.
- The READ DATA (RD) signal, when true, indicates the microprocessor is ready to receive data or status words from the USART.
- The CONTROL/DATA (C/D) signal identifies the write operation transfer as data or control words, or the read operation transfer as data or status words.

**MODEM CONTROL.**— The modem control logic generates or receives four control or status signals used to simplify modem interfaces. They are as follows:



35NVM032

Figure 7-18.—Universal synchronous/asynchronous receiver transmitter (USART).

- **Data Set Ready (DSR)** —A data set ready is sent from the computer to the external device to notify the external device that the computer is ready to transmit data when HIGH.

- **Data Terminal Ready (DTR)** —A data terminal ready is sent from the external device to the computer to indicate that the external device is ready to receive data when HIGH.

- **Request to Send (RTS)** —A request to send is sent from the external device to the computer to indicate that the external device is ready (HIGH) or busy (Low).

- **Clear to Send (CTS)** —A clear to send is sent from the computer to the external device as a reply to the RTS signal.

**TRANSMIT BUFFER/TRANSMIT CONTROL.**— The transmit control logic converts the data bytes stored in the transmit buffer into an asynchronous bit stream. The transmit control logic inserts the applicable start/stop and parity bits into the stream to provide the programmed protocol. A start bit is used to alert the output device, a printer for instance, to get ready for the actual character (bit). The signal is sent just prior to the beginning of the actual character coming down the line. A stop bit is sent to indicate the end of transmission. The parity bit is used as a means to detect errors; odd or even parity maybe used.

**RECEIVE BUFFER/RECEIVE CONTROL.**— The receive control logic accepts the input bit stream and strips the protocol signals from the data bits. The data bits are converted into parallel bytes and stored in the receive buffer until transmitted to the microprocessor.

### Line Drivers/Receivers

We discussed line drivers/receivers in chapter 4. Their basic function is to drive and receive (detect) the digital signal sent or received over a cable to other external equipments (including computers). The line drivers/receivers are designed to send and receive signals over short and long distances using serial or parallel **format**. Large voltages or currents are generated from small voltage or current using TTL or MOS circuitry. The two types most commonly used include **single-ended** and **differential**. The voltage levels and current amounts sent and received are dictated by the **interface**. The voltage and current characteristics required are also dictated by the **interface**. We discuss the voltage levels and some of

the characteristics when we cover I/O channel/port configurations that include the various interfaces.

### I/O INTERFACE FORMATS

There is a variety of serial and parallel I/O channel formats that you may encounter as a technician. Do not take for granted the type of interface a computer uses. A single different pin in a connector or a different voltage level used by a computer can make a vast difference when you are performing maintenance. Your computer’s technical manual will provide the standards to be used with the cabinet and cable connectors. They will match the standards that govern the requirements for parallel and serial interfacing. Table 7-1, from MIL-STD-2036, *General Requirements For Electronic Equipment Specifications*, provides you with some of the accepted standard external interfaces. We do not cover the General-Purpose Interface Bus (GPIB), Fiber Distributed Data Interface (FDDI), and TACTICAL. Other interfaces used but not listed in the table include RS-449, Centronics Parallel, ST-506/412, Enhanced Small Device Interface (ESDI), Integrated Drive Electronic (IDE), and Enhanced Integrated Drive Electronics (EIDE). We discuss signal designations in more detail later in this topic under serial and parallel I/O operations. First, let’s look at the various interfaces and some of their applications and any unique characteristics. As stated, each interface is governed by a standard.

Table 7-1.—Standard External Interfaces from MIL-STD-2036

Table I. Standard External Interfaces		
<u>INTERFACE</u>	<u>STANDARD</u>	<u>FORMAT</u>
NTDS INPUT/OUTPUT	MIL-STD-1397	Digital (Parallel/Serial)
SCSI	ANSI X3.131	Digital (Parallel)
RS-232	EIA RS-232	Digital (Serial)
RS-422	EIA RS-422	Digital (Serial)
GPIB	IEEE Std 488.1	Digital (Parallel)
TOKEN RING	IEEE 802.5	Digital (Serial)
ETHERNET	IEEE 802.3	Digital (Serial)
FDDI	ANSI X3T9.5	Digital fiber optic (Serial)
TACTICAL	MIL-STD-188-200	Analog

## NTDS Input/Output (MIL-STD-1397)

The NTDS input/output interface is probably one of the most versatile of formats because it is designed to handle either parallel or serial formatted information, depending on the type of computer and its I/O requirements. This interface specifies three I/O control and data signal categories. We cover the first two under parallel and serial operations later in this topic. The categories include:

- Category I —Computer to external device
- Category II —Computer to computer, intercomputer (IC)
- Category III —External device to external device

Within this standard, there are nine types of formats (A through H and J). They include both serial and parallel formats as described in the following paragraphs.

**TYPE A (NTDS) SLOW.**— Type A transfers parallel data of up to 41,667 words per second on one cable. This type interface uses 0 vdc (logical 1) and -15 vdc (logical 0) to transmit bit groupings of 16, 30, or 32 bits, depending on the type of computer. The relatively large voltage change between logic states, with its inherent time delays, limits the speed of data transmission. Type A can transmit digital signals up to 1000 feet. It is most frequently used in large mainframe and some minicomputers to interface with equipment found in the data processing, display, and communication subsystems. Type A uses a request and acknowledge protocol process. It transfers control and data words using two cables: one input and one output for the same channel. You may, however, encounter a few devices that use input only or output only portions of an NTDS slow channel. Type A signal designations for input and output include the following:

- EIE —External interrupt enable
- IDR —Input data request
- EIR —External interrupt request
- IDA —Input data acknowledge
- EFR —External function request
- EFA —External function acknowledge
- ODR —Output data request
- ODA —Output data acknowledge

**TYPE B (NTDS) FAST.**— Type B transfers parallel data of up to 250,000 words per second on one cable. This type interface uses 0 vdc (logical 1) and -3 vdc (logical 0) to transmit bit groupings of 16, 30, or 32 bits depending on the type of computer. Type B can transmit digital signals up to 300 feet depending on the type of cable used. It is most frequently used in large mainframe or some minicomputers to interface with equipment found in the data processing, display, and communication subsystems. Type B uses a request and acknowledge protocol process. It transfers control and data words using two cables: one input and one output for the same channel. You may, however, encounter a few devices that use input only or output only portions of an NTDS fast channel. Type B uses the same input and output signal designations as type A.

**TYPE C (ANEW).**— Type C transfers parallel data of up to 250,000 words per second on one cable. This type of interface uses 0 vdc (logical 1) and +3.5 vdc (logical 0) to transmit bit groupings of 16,30, or 32 bits, depending on the type of computer. Type C can transmit digital signals up to 300 feet depending on the type of cable used. It is most frequently used in large mainframe or some minicomputers to interface with equipment found in the data processing, display, and communication subsystems. Type C uses a request and acknowledge protocol process. It transfers control and data words using two cables: one input and one output for the same channel. You may, however, encounter a few devices that use input only or output only portions of an NTDS ANEW channel. Type C uses the same input and output signal designations as type A.

**TYPE D (NTDS SERIAL)**— Type D asynchronously transfers serial data using a 10 megabits per second (Mb/s) clock rate over a single coaxial cable. Two cables are required for bidirectional communications, a source line (computer to peripheral) and a sink line (peripheral to computer). The source line is used to transmit data and external functions, while the sink line is used to transmit input data and external interrupt codes. Type D transfers are accomplished using two types of bipolar pulse trains: (1) control frames and (2) control and data words. The actual input or output data is transmitted in 32-bit **information frames**. Control frames are three bits in length, a sync bit followed by two control bits. The signals required for input transfer will occur on the input channel (input request, input enable, and not ready) and the signals required for output transfer will occur on the output channel (output request, output enable, and not ready). A binary 1 will be a pulse of phase zero degrees and will be a high polarity followed by a low polarity.

A binary 0 will be a pulse of phase 180 degrees and will be a low polarity followed by a high polarity. Type D can transmit digital signals up to 1,000 feet.

**TYPE E (NATO SERIAL).**— Type E asynchronously transfers serial data of up to 10 million bits per second on single triaxial cable. Channel control is similar to NTDS parallel channels. This type interface uses a bipolar plus or minus 0.6 volt nominal (0.8 volt maximum). Type E can transmit digital signals up to 1,000 feet depending on the type of cable used. It is most frequently used in large mainframes to interface with external equipment found in the data processing subsystems (includes intercomputer communication). Interfacing with an external device uses a normal serial I/O interfacing: enable and request. The channel interface uses a SIS/SOS protocol, transferring control and data words using the following word transfers: external function, output data, external interrupt, and input data. The data (command or data) words are transmitted in serial bursts of up to thirty two 32-bit words (1,024 bits). The burst transmissions are coordinated using Sink Status (SIS) frames or Source Status (SOS) frames. The SIS frame is sent from the receiving device when it is ready to receive a burst. The SOS frame is sent by the transmitting device to coordinate and synchronize the burst transmission.

**TYPE F (AIRCRAFT INTERNAL TIME DIVISION MULTIPLEX (TDM) BUS).**— Type F transfers serial data up to one million bits per second over a distance of 300 feet. A logical 1 will be transmitted as a bipolar coded signal 1/0 (a positive pulse followed by a negative pulse). A logic zero will be a bipolar coded signal 0/1 (a negative pulse followed by a positive pulse). This type interface transmits bit groupings of 20 bits: data, sync wave form, and parity bit. It is most frequently used in large mainframes to interface with equipment found in the data processing subsystems. Type F uses a command/response protocol. Transfers include command, data, and status words over a single channel. This interface can handle up to 32 external devices on one channel; one device must be a bus controller.

**TYPE G (RS-449).**— Type G equates with the functional and procedural portions of RS-232. However, the electrical and mechanical specifications are covered by RS-422. Type G is intended to transfer serial data above 20 kilo bits per second and up to 2 million bits per second over a single cable. Type G can transmit data up to 200 feet. Signals are divided between 37-pin and 9-pin connectors, and the ground and common signals are handled separately for each

cable. Type G can send asynchronous serial data up to 9600 bits per second. This type of interface is used to transmit bit groupings of 8, 16, or 32 bits depending on the type of computer. Type G can be used in mainframe and microcomputers. Type G uses primarily a command and response protocol.

**TYPE H (HIGH-SPEED PARALLEL).**— Type H transfers parallel data of up to 500,000 words per second on one cable. This type interface uses 0 vdc (logical 1) and +3.5 vdc (logical 0 to transmit bit groupings of 16, 30, or 32 bits depending on the type of computer. Type H can transmit digital signals up to 300 feet. It is most frequently used in large mainframes to interface with equipment found in the data processing, display, and communication subsystems. Type H uses a request and acknowledge protocol process. It transfers control and data words using two cables—one input and one output for the same channel. It can also interface with external equipment having a type C interface. You may, however, encounter a few devices that use input only or output only portions of an NTDS slow channel. Type H uses the same input and output signal designations as type A.

**TYPE J (FIBER OPTIC NATO SERIAL).**— Type J is used for the fiberoptic implementation of type E. A type J fiber optic channel converts a type E serial bit stream into light pulses that are carried by a fiber optic cable to a receiving device that converts the light pulses back into a digital bit stream. For further details on fiber optics, refer to NEETS 24, *Introduction to Fiber Optics*.

### **Small Computer System Interface (ANSI X3.131)**

The small computer system interface (SCSI) uses a digital parallel format. SCSI is pronounced “skuzzy.” The SCSI is an 8-bit parallel, high-level interface. High-level means that instead of a host computer asking for data by specifying a track, cylinder, and sector number, all it asks for is a logical sector number. The SCSI then translates the logical sector number into the actual disk location.

The SCSI also has other improvements over previous disk drive interfaces. For example, it can transfer data at rates up to 20 megabits per second, handle hard disk drives of almost any size, disconnect itself from the host computer’s bus while it processes requests, and daisy-chain up to eight units off of one controller.

The SCSI interface uses one 50-pin ribbon cable to connect the hard disk drive(s) to the controller card mounted on the host computer. Some computer manufacturers include the SCSI electronics in their motherboards and do away with a separate controller card.

### RS-232 (EIA RS-232 and MIL-STD 188)

An RS-232 interface uses a serial format. It can be used for asynchronous and synchronous serial transfers. It can be used with mainframes, minicomputers, and microcomputers for communication with external equipments, particularly with microcomputer systems. RS-232 channels/ports are capable of transmitting from 50 to 19,200 baud of 7- or 8-bit asynchronous characters and 7- or 8-bit synchronous characters to 9600 baud. RS-232 limits cable transfers to 50 feet with a maximum transmission speed of 20,000 bits per second. In microcomputers and their external equipments, the Configuration of the channel/port is normally hardware controlled through the use of DIP switches. The number of bits per character (7 or 8), baud rate (110, 300, 600, 1200, 4800, 9600, or 19200), parity setting (odd, even, or no parity), and protocol selection (ready/busy or X-ON/X-OFF) are examples of controlled configuration parameters. Some computer systems allow for software control of these parameters but most peripherals that accept the RS-232 have a DIP switch configuration to make them compatible with a variety of computer interfaces.

RS-232 serial channel/port uses a 25-pin cable connector (DB-25) and transmits signal levels of +5 to +25 volts (HIGH or SPACE) and -5 volts to -25 volts (LOW or MARK). An RS-232 receives and recognizes transition difference of 6 volts (+3 volts and -3 volts) (fig. 7-19). A positive difference and more than +3

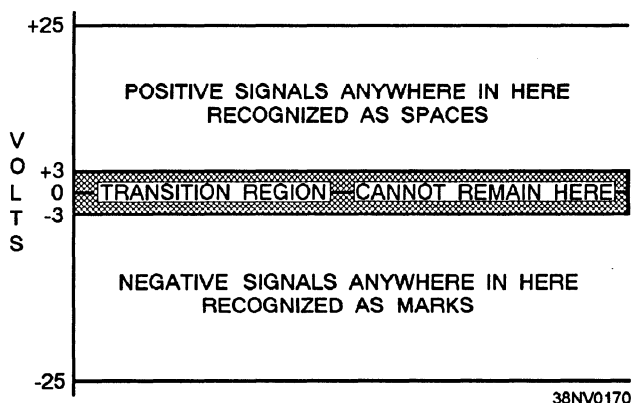


Figure 7-19.—RS-232.

volts indicates a HIGH and a negative difference and more than -3 volts indicates a LOW. Signal designations are discussed in serial I/O operations. An interface that uses RS-232 interface signals is VACALES (Variable Character Length Synchronous). It is synchronous to 32,000 baud transferring 1 to 16 bits.

### RS-422 (EIA RS-422)

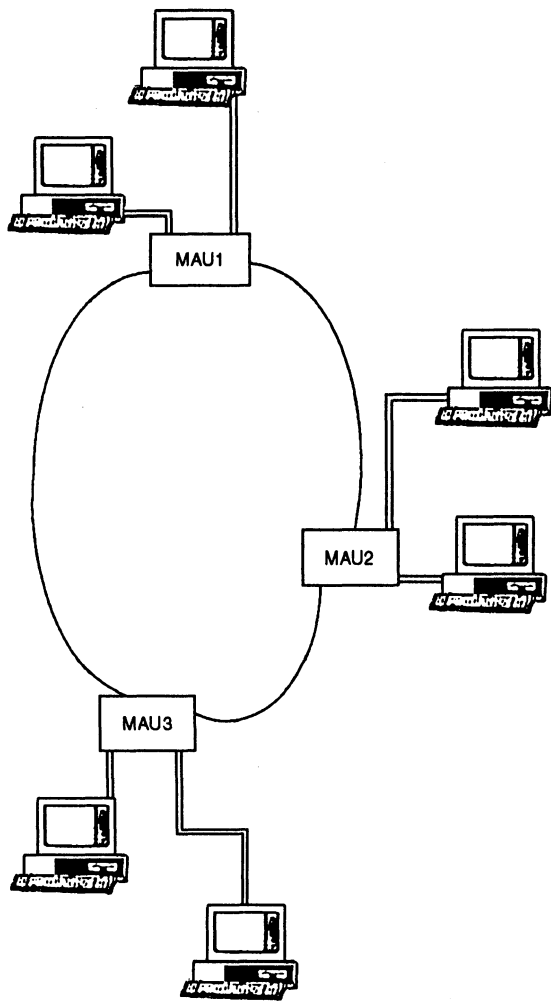
The RS-422 interface uses a serial format. RS-422 uses RS-232 functional specifications. RS-422 uses two separate wires to allow transmission at a higher rate. This technique, called balanced circuitry, doubles the number of wires in the cable, but permits very high data rates and minimizes the problem of varying ground potential. The high data rates include up to 10 megabits per second in distances of meters and 100 kilobits per second at 1.2 kilometers. RS-422 grounding requirements are much less critical than RS-232. With the elimination of the grounding problem, the receiver transition period is narrower: .4 volt (+.2 volt and -.2 volt).

### Token Ring (IEEE 802.5)

Token ring is used for work group solutions and work station intensive networks. It transfers serial I/O data. It has the ability to operate at a 4- or 16-megabits per second rate of data communication. It allows PCs and mainframes to operate as peers in the same network. In a token-passing ring network, a stream of data called a **token** circulates through the network stations when they are idle. A station with a message to transmit waits until it receives a **free** token. It then changes the free token to a **busy** token, and transmits a block of data called a *frame* immediately following the busy token. The frame contains all or part of the message the station has to send.

The system does not operate by having one station accept a token, read it, and then pass it on. Instead, the stream of bits that make up a token or message might pass through as many as three stations. Once a station becomes a busy station, there is no free token on the line. That means other stations must wait until the receiving station copies the data and the frame continues around the ring until it completes a round-trip back to the transmitting station. This guarantees that only one station at a time transmits data. A typical token ring (fig. 7-20) provides for unlimited expandability by use of multistation access units (MAUs) and hubs (concentrators).





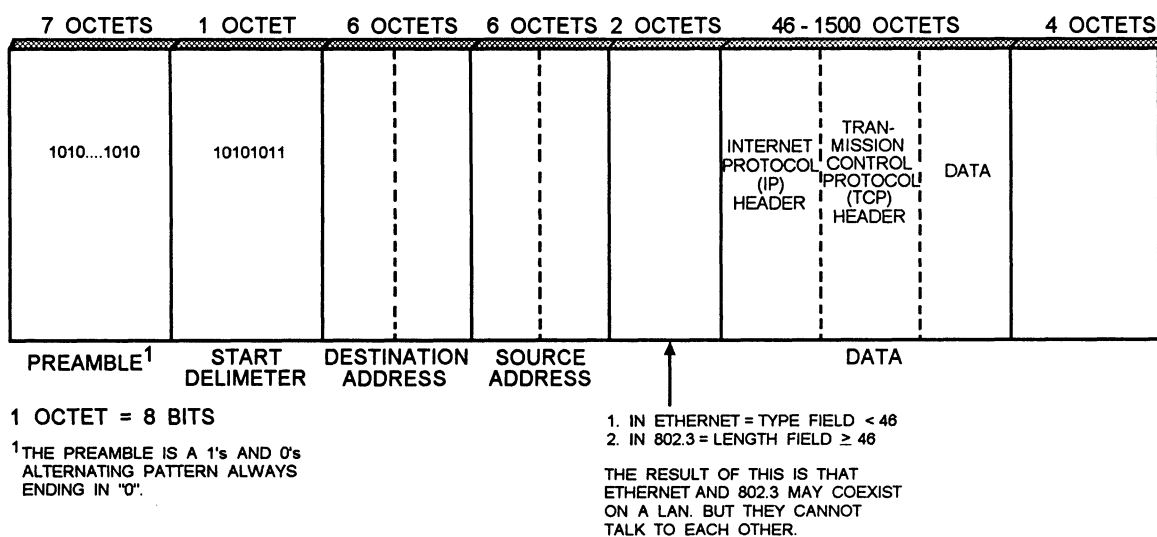
35NVM034

Figure 7-20.—A typical token ring network.

The recommended cable for a typical token ring setup is two pairs of twisted wire covered by a foil shield. Maximum cable length between the token-ring hub and the attachment point for the network node cannot exceed 150 feet. Provisions are also available for linking hubs through fiber optic cable. Connectors include “D” shell for the twisted pair wire and fiberoptic connectors (MIL-C-28876). Cabling for the token-ring prevents one bad cable from bringing down the entire system.

### IEEE 802.3 (Ethernet DIX)

IEEE 802.3 is a specification that describes a method for computers and data systems to connect and share cabling (i.e., PC’s and mainframes). It transfers serial I/O data in a specific packet format (fig. 7-21). The IEEE 802.3 standard is commonly referred to as Ethernet. Although Ethernet and 802.3 share the same cable access mode (carrier sense multiple access), they differ in both physical implementation and actual packet make-up. Ethernet preceded IEEE 802.3 by almost 10 years. Ethernet was developed by Robert Metcalfe at Xerox’s Palo Alto Research Center. Ethernet is the forerunner of IEEE 802.3. Because of the differences in packet formation and physical construction of the equipment associated with each of these standards, the networking community currently follows the original Ethernet standard implementation by the DIX suffix (DIX stands for DEC, Intel, and Xerox, the original collaborators on the Ethernet standard).



ETFC0083

Figure 7-21.—802.3 and Ethernet packet formats.

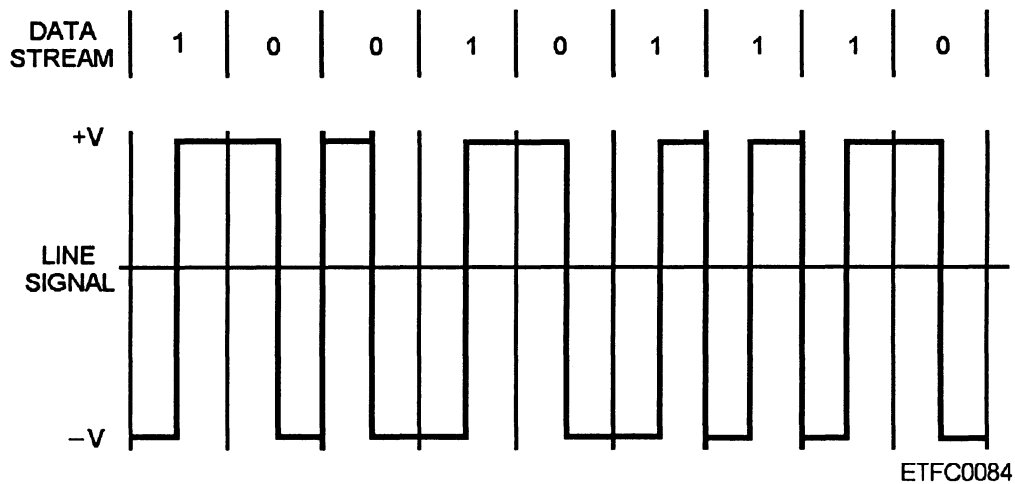


Figure 7-22.—Manchester code used in Ethernet.

Both Ethernet (DIX) and IEEE 802.3 can be used on the same data communications network, but they cannot talk to each other. Data in an 802.3 network is encoded using a Manchester code as shown in figure 7-22. The differences between an 802.3 packet and an Ethernet packet can be seen in figure 7-21. When viewing figure 7-21, pay close attention to the items directly below the vertical arrow in order to determine an Ethernet (type field <46) or an 802.3 (length field ≥46).

Continuous transitions of the Manchester code allow the channel to be monitored easily for activity. This is part of the Collision Detection/Collision Avoidance characteristics of Ethernet (DIX) and IEEE 802.3. This ability to detect activity allows stations to release the channel after using it for a short period of time, thereby increasing data transmission through-put.

Ethernet (DIX) and IEEE 802.3 may use a shielded coaxial cable (RG-58 A/U) to transfer serial data using baseband transmission at 10 megabits per second.

Baseband information implies data transmitted without the use of a carrier and with only one channel defined in the system. When a station is transmitting, it uses the entire 10 megabits per second. The data is transferred PC to PC using a daisy chain configuration (fig. 7-23). Thin Ethernet is used in smaller systems using an overall coaxial cable length of 600 to 1000 feet. Thin Ethernet 802.3 uses T-connectors (UG-274) to connect the PCs. Thick-net (RG-11, BIG YELLOW CABLE) is used in larger systems with overall shielded coaxial cable lengths of 500 meters. Thick-net networks employ a file server and a transceiver (fig. 7-24) connected together using 15-pin “D” shell connectors. Terminating resistors are used at the end of each T-connector to ensure proper operation. Ethernet (DIX) and IEEE 802.3 networks are also commonly implemented using shielded and unshielded twisted pair cable. Coaxial cable implementations are known as 10Base5 (RG-58) and 10Base2 (RG-11 Thick-net). Shielded and unshielded twisted pair cable networks are known as 10BaseT.

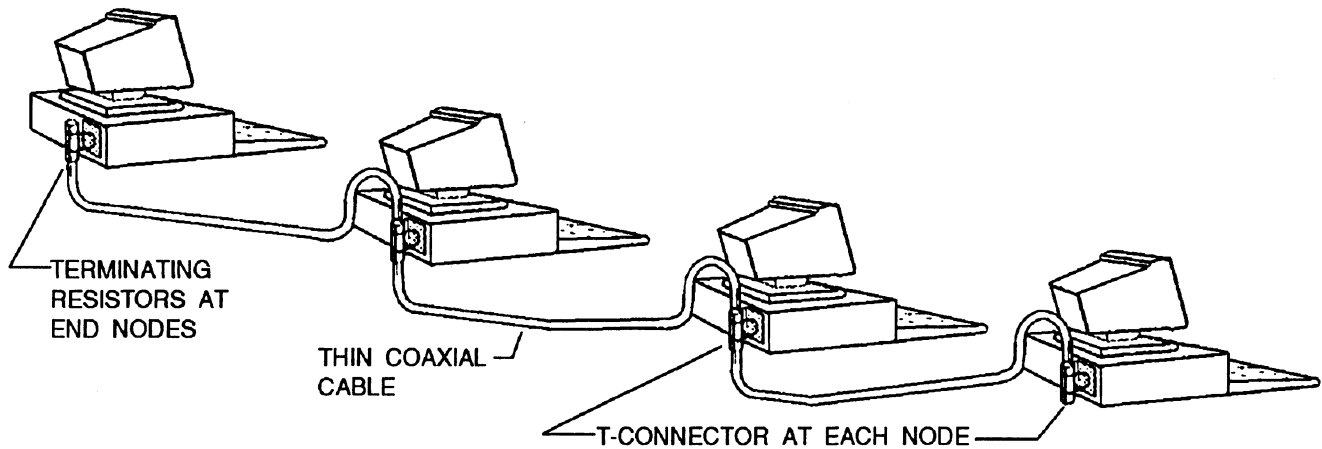
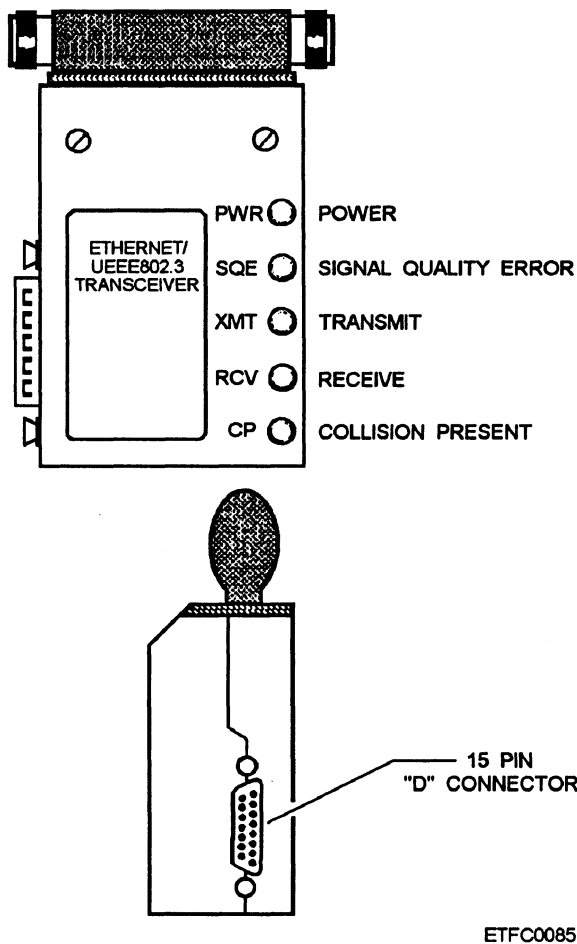


Figure 7-23.—Daisy chain in an Ethernet.

35NVM035



ETFC0085

Figure 7-24.—Ethernet/IEEE 802.3 transceiver.

### Centronics Parallel

The Centronics compatible parallel channel is the alternate interface to the RS-232 on many microcomputer systems. This channel type is designed to transmit parallel 8-bit bytes over eight data lines simultaneously. The Centronics compatible channel is a single direction channel (output only) as far as data is concerned. Centronics Compatible Parallel uses a command/acknowledge protocol. There are several control signals sent to the receiving device and status signals returned from the receiving device. We cover signal designation under parallel operations of single cables.

### ST-506/412

The ST-506/412 interface was developed by Seagate Technology, Inc. It is often used in the hard disk drives installed in older IBM-compatible desktop computers that have a maximum capacity of 125 megabytes. It is also the interface used to control most floppy drives today.

This is one of the interfaces where most of the electronics is actually on a controller card mounted in the host computer. With this interface, the controller card does most of the work (moving the magnetic head, spinning the disk, and so on). The controller card also cleans any data coming from the disk drive by stripping off the formatting and control signals that were used to store the data onto the hard drive.

A hard disk drive is connected to the controller card in the host computer via two ribbon cables (a 34-pin control cable and a 20-pin data cable). Floppy drives use only the 34-pin control cable to transfer both data and control signals.

When this interface was originally developed in 1981, its 5-megabits per second transfer rate was considered too fast. It was actually slowed down by a 6:1 interleave factor so it could operate with the computers being built at the time. With today's transfer rates pushing the envelop at 24 megabits per second, you can see that it is now one of the slowest interfaces.

### Enhanced Small Device Interface (ESDI)

The enhanced small device interface (ESDI) is an optimized version of the ST-506/412 interface. The main difference is that with ESDI, most of the disk drive's interface electronics is located in the disk drive itself, rather than on a controller card in the host computer. The result is a much faster transfer rate and more hard disk capacity. ESDIs have a transfer rate of up to 24 megabits per second. And, they can handle disk drives with a maximum capacity of 1.2 GB (gigabyte).

The ESDI uses the same interface cables as the ST-506/412 interface, but that is where the similarity ends. With ESDI drives, only the clean data is sent to the controller card in the host computer. All formatting and control signals are stripped off at the hard disk drive.

### Integrated Drive Electronics (IDE)

The integrated drive electronics (IDE) interface was developed as a result of trying to find a less expensive way to build computer systems. It includes all of the controller card electronics in the hard drive itself; thus, the hard drive does all the work.

The hard disk drive connects to the host computer's bus with a 40-pin ribbon cable. The ribbon cable connects directly to either a 40-pin connector on the host computer's motherboard or a 40-pin connector on

a small interface card that plugs into the host computer's motherboard. This interface offers transfer rates of up to 1 MB and can handle hard drives with a maximum capacity of 300 MB.

### **Enhanced Integrated Drive Electronics (EIDE)**

The Enhanced Integrated Drive Electronics (EIDE) was developed from the IDE standard. New features available with EIDE include Plug-n-Play compatibility, increased maximum drive capacity, faster data transfers, and the ability to use a CD-ROM or tape drive with an the interface.

The IDE interface can address a hard drive with a maximum of 504MB. EIDE increases the maximum size of a hard drive by using an enhanced BIOS. The enhanced BIOS uses a different geometry when communicating with a program than it does when communicating with the hard drive. For example, the BIOS will tell a program that a hard drive with 2,000 cylinders and 16 heads is a drive with 1,000 cylinders with 32 heads. The BIOS controls the address translation to keep track of where the data is physically located on the hard drive.

The EIDE interface uses a Programmed Input/output (PIO) mode to transfer data from the drive. There are five PIO modes that can be set to control data transfers. PIO Mode 0 is the slowest with a cycle time of 600 nanoseconds. Pio Mode 4 has a cycle time of 120 nanoseconds, which is 16.6 megabytes per second. Most high-end hard drives will support Mode 3 or Mode 4 operations. Using the enhanced BIOS, the hard disk responds to the Identify Drive command with information concerning the PIO and DMA modes the drive can support. The BIOS will automatically set the PIO mode to match the capability of the drive. If a drive is set to a higher mode than it is capable of supporting, data corruption will occur.

### **I/O SERIAL DATA OPERATIONS**

Serial data operations exchange information via a single path, line, or wire. The channel/port itself is made up of several wires, but only one is used to transfer the binary data. Bidirectional channels may use two wires for data, one for each direction or a single tristate bidirectional line. The remaining wires are used for device addressing and to provide the **protocol** (channel control) for information exchange. The data is in the form of an asynchronous or synchronous bit stream. The bit stream is made up of a sequential series of data and/or control pulses in one of these two mutually

exclusive formats. Serial data operations can use a minimum of 4 conductors and up to 37 conductors to perform serial data operations. Serial operations generally exchange information between **data communications equipment (DCE)** and **data terminal equipment (DTE)**. The DCE configured device is considered the controller for the interface. The DTE is either the computer or a channel controller. There are variations in the channel pin connections that depend on the device mode of operation (DCE or DTE).

### **Asynchronous Data Exchanges**

Asynchronous data is also known as **character framed data**; only one character at a time is sent. Each character is composed of either 7 or 8 bits (depending upon the coding scheme used), and is identified by a start and stop bit. At the minimum, each character is preceded by a start bit and followed by one stop bit. Asynchronous data transmission protocol allows for a maximum of the following in sequence: one start bit, eight data bits, a parity bit, and one stop bit for each character to be exchanged.

The purpose of a start bit is to notify the modem that a character is being sent (or received). The bits that make up the character immediately follow the start bit. After all these bits have been transmitted, a stop bit is inserted to indicate the end of the character. Start and stop bits can immediately follow one another or there can be a period of idle time following the stop bit, depending upon the hardware device in use. During an idle condition, in which no characters are sent, a continuous MARK signal (equivalent to a logic 1) is transmitted for one bit time. Asynchronous transmission is normally used when transmission rates are between 600 to 2000 bps. The particular format used varies between computers and may be hardware or software controlled depending on the type of interface logic and devices used.

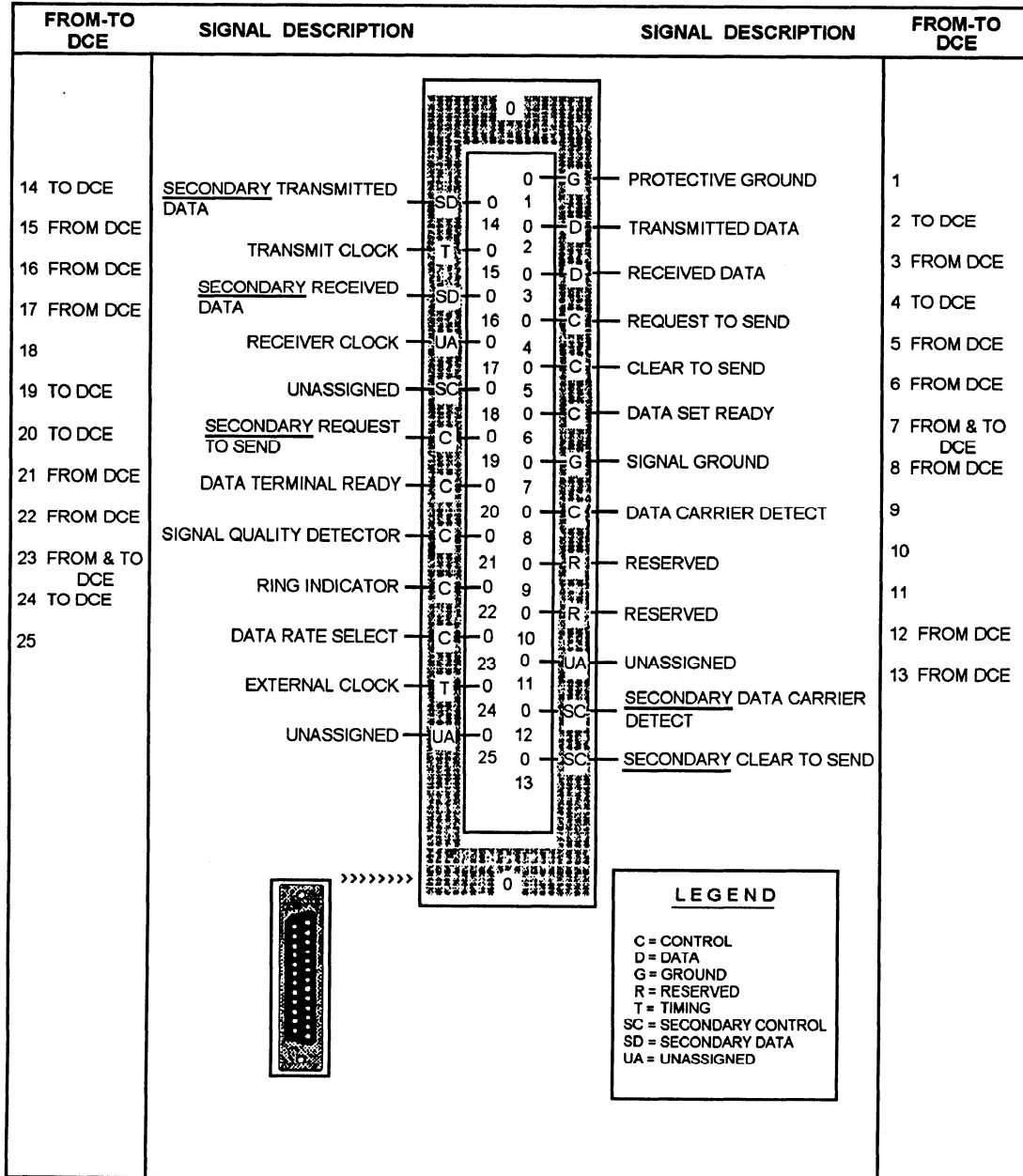
### **Synchronous Data Exchanges**

When more speed is required for sending information, synchronous data exchanges fulfill the requirement. Synchronous data is also known as **message framed data**. The bit stream is divided into blocks of sequential bits grouped into individual messages, without the need for start and stop bits. Again, each character is composed of either 7 or 8 bits. There are two methods for controlling the exchange of messages. External control and timing signals may be

transmitted over the I/O channel control lines and used to synchronize the message transfer, or the message itself may be preceded and succeeded by a string of special synchronization (sync) characters. The sync characters allow the receiving device to frame and receive the message data. Messages preceded by sync pulses are followed by one or more special synchronization (sync) characters to indicate the end of a particular bit stream. Often several different types of messages are sent over the same channel. The message contents identify the type of message and the destination (addressed peripheral).

### DCE/DTE Serial I/O Cable Signals

With serial operations, one cable will suffice to perform serial I/O operations with an external device. Each of the signal leads is assigned a specific function. These functions can be assigned one of four specific groupings: data (both primary and secondary), **control** (again, both primary and secondary), **timing**, and **ground**. Each of these groupings is indicated by a letter in figure 7-25 and is further described in the legend. We use an RS-232 as our example in this discussion. Although the connector itself is not specified in the standard, a 25-pin connector (such as the one shown in figure 7-25) has become the generally accepted



ETFC0086

Figure 7-25—A typical RS-232 female connector.

standard for implementing an RS-232 connection. Now, let's take a pin-by-pin tour of the RS-232 interface and look at the signals to see how they function.

### RS-232 Pin Description

The 25 pins of the RS-232 have the following functions:

**Pin 1, Protective Ground**— is connected to the equipment's chassis and is intended to connect one end of a shielded cable, if such a cable is used. The shield of a shielded cable must **NEVER** be connected at both ends. Shielded cable is used to reduce interference in high-noise environments.

**Pin 7, Signal Ground**— is the common reference for all signals, including data, timing, and control signals. In order for DCE and DTE to work properly across the serial interface, pin 7 must be connected at both ends. Without it, the interface would not work because none of the signal circuits would be completed.

#### Pin 2, Transmitted Data

**Pin 3, Received Data**— Pins 2 and 3 are the pins of most importance; for if it weren't for the data that passes through them, the remaining pins would not be needed. Data is normally transmitted in the following manner. The DTE **transmits** data on pin 2 and **receives** data from the DCE on pin 3 as described in figure 7-25 and shown in figure 7-26. Figure 7-26 illustrates the absolute minimum wiring required under the RS-232 interface for normal DTE-DCE communication.

#### Pin 4, Request to Send

**Pin 5, Clear to Send**— Pins 4,5,6, and 20 are the handshaking signals. These pins establish the communications link. Normally terminals cannot transmit data until a clear to send transmission is received from the DCE.

#### Pin 6, Data Set Ready

**Pin 20, Data Terminal Ready**— Data set ready is used to indicate that the modem is powered on and is not in a test mode (modem ready). In dial-data or dial up applications, data terminal ready is used to create the equivalent of an off-the-hook condition. When the modem is in an auto-answer mode, the DTR is activated in response to the ring indicator and tells the modem to answer the incoming call.

**Pin 8, Data Carrier Detect**— The modem activates the data carrier detect whenever it receives a signal on the telephone line of sufficient strength for reliable communications. Many types of DTE

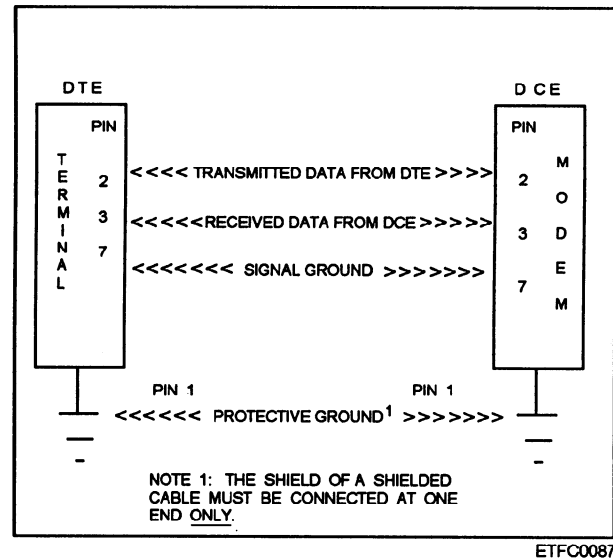


Figure 7-26.—A typical DTE to DCE connection showing the minimum wiring required under the RS-232 interface standard.

require this signal before they will accept or transmit data. In applications where no modem is present, this pin is normally tied to pin 20, which in most cases is activated whenever the DTE is powered up.

**Pin 22, Ring Indicator**— The ring indicator signal is the means by which the DCE informs the DTE that the phone is ringing. All modems designed for direct connect to the phone network are equipped with auto answer. That is, the modem is able to recognize standard ringing voltage, indicate the ringing to the DTE, and answer (take the line off-the-hook) when told to do so by the DTE. The DTE tells the modem to answer the phone by activating pin 20, data terminal ready.

The 10 pins and signals we have just described to you are the ones most often used of those defined in the RS-232 standard.

#### Pin 15, Transmit Clock

#### Pin 17, Receiver Clock

#### Pin 21, Signal Quality Detector

**Pin 24, External Clock**— Synchronous modems use the signals on these pins. Pins 15, 17, and 24 control bit timing. Pin 21 indicates that the quality of the received carrier signal is satisfactory. Because the transmitting modem must send something (either a 0 or a 1) at each bit time, the modem controls the timing of the bits from the DTE. In turn, the receiving modem must output a bit and associated timing whenever received. Pin 15 (Transmitter Signal Element Timing—DCE

source), and pin 17 (Receiver Signal Element Timing—DTE source) are used for these purposes.

**Pin 23, Data Rate Select**— This entry according to figure 7-25 looks like there should be two pins assigned, but actually it is either data rate select (DTE source) or data rate select (DCE source). Some modems, called dual-rate modems, allow switching between two transmission speeds. Sometimes the speed is selected automatically by the modem during the initializing sequence, or it may be selected by the transmitting DTE. The signal on pin 23 determines whether the modem uses the low or high speed. Usually the modem at the calling end sets the speed for the connection and informs its DTE. The calling modem signals the speed to the answering modem, which informs the called DTE by activating data rate select (DCE source).

**Pin 12, Secondary Data Carrier Detect**

**Pin 13, Secondary Clear to Send**

**Pin 14, Secondary Transmitted Data**

**Pin 16, Secondary Received Data**

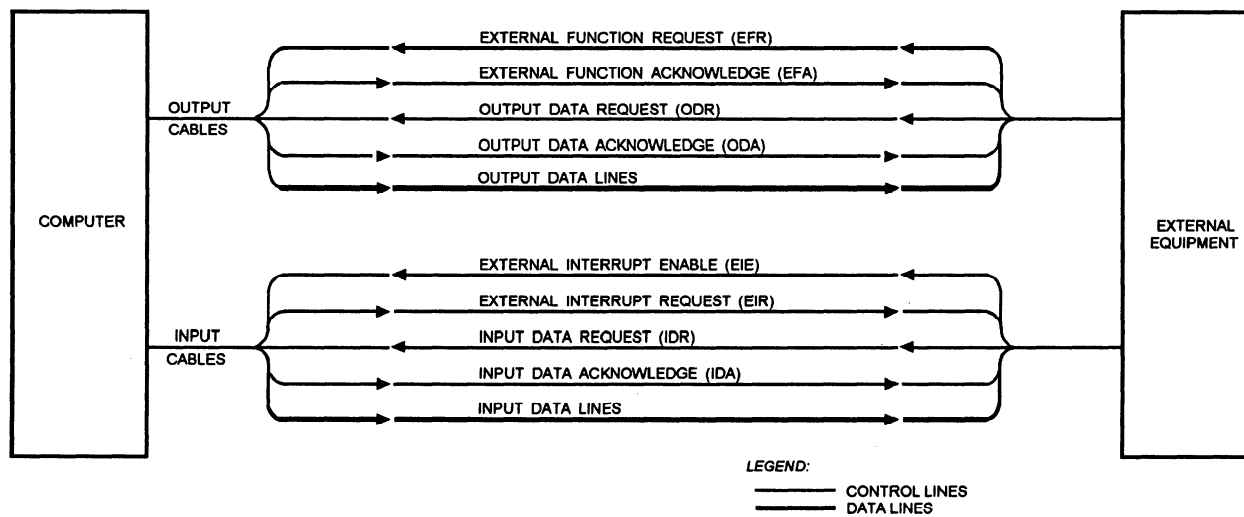
**Pin 19, Secondary Request to Send**— Some modems are equipped with both primary and secondary channels. The five secondary signals listed allow control of the secondary channel in the same way as described for the primary channel (pins 2, 3, 4, 5, and 8). In these modems, the primary transmission channel usually has the higher data rate, and the secondary channel transmits in the reverse direction with a much lower data rate, for example, 75 bps. Other signals that could be used (depending on the interface used) but not discussed include: send common, receive common, terminal in service, new signal, select

frequency, local loopback, remote loopback, test mode, select standby, and standby indicator.

## I/O PARALLEL DATA OPERATIONS

Parallel data operations provide a multiwire communication path between the computer and one or more peripheral equipments. Parallel data operations use a **request/acknowledge** protocol. Generally speaking, a parallel channel is designed to transfer all the bits of a given byte or memory word, depending on the size of the computer and interface requirements, simultaneously. There is a separate data path or line for each bit that makes up the byte or word. The parallel channel handles data bytes or words in the same manner as the internal workings of the computer. There is no requirement to convert the byte or word to a sequential bit stream as there is in serial channel operations. There is, however, the need to **drive** or **receive (detect)** the digital signals over the I/O cables. The IOA or line driver/receiver on a pcb provides the means to accomplish this.

With parallel operations, there are two ways the computer can communicate with each external device. The computer can use a single cable to handle the parallel input and/or output operations or two cables: an **input** cable for the computer to receive information from an external device and an **output** cable for the computer to send information out to the same external device. The two cables will constitute one channel. Some computers can have up to 64 I/O channels. The I/O channels are usually identified by the octal numbering system. Thus, if you had a computer with 16 channels, the octal number assignments would be 0<sub>8</sub> through 17<sub>8</sub>. Also, the channels are often arranged in groups with 4 channels per group. The parallel channel itself (fig. 7-27) consists of 8 or more data lines (8, 16,



ETFC0088

Figure 7-27.—Example of parallel channel architecture (two cables).

30, 32, 64, and so forth), and a number of control lines for passing signals that govern the transfer of information and coordinate operations of the computer and the peripheral device. In most computers, the data lines themselves are used to transmit control information (external functions) to the peripheral device, and to pass device status (status words and interrupt codes) to the computer.

We discuss parallel **computer to external devices** data operations using **one** and **two** cables; then we discuss intercomputer parallel data operations.

### Computer to External Equipment (Single Cable)

With the computer to external equipment (single cable) set up, all the signals required to carry out parallel data operations are contained on a single cable. The number of lines in this setup can vary from 7 to 25; it will depend on the computer and the external device(s). We use an 8-bit computer as example of the lines used by a single parallel cable format (fig. 7-28). Other signals that could be used, but are not discussed, include: page end, auto feed, error, initialize external device (specific device name), and select input.

**GROUND.**— The ground signal ensures there is a complete circuit so there is current, thus enabling the signals to flow through the conductor and not collect at one end of the circuit (conductor). There are two grounds: one is a signal ground and the other a chassis ground connected to the device's chassis or ground. These signals do not move in either direction.

**DATA STROBE.**— The data strobe is sent from the computer to the external device. This signals the

external device that information is ready to be read from the data lines. The computer first puts the signals for all the data bits on the data lines, waits briefly to be sure the signal is stable, and then activates the data strobe line. When the external device sees that the data strobe signal has been sent, it accepts the character from the eight data lines.

**BUSY SIGNAL.**— The busy signal is sent from the external device to the computer to tell it not to send any more data. The external device maybe busy for various reasons. For example, it may still be in the process of obtaining information or the buffer maybe full.

**SELECT SIGNAL.**— The select signal usually corresponds to some sort of switch that must be in the enabled position by the external device. An example is an ONLINE switch on a printer. If it is disabled, the computer will be able to sense that something is wrong.

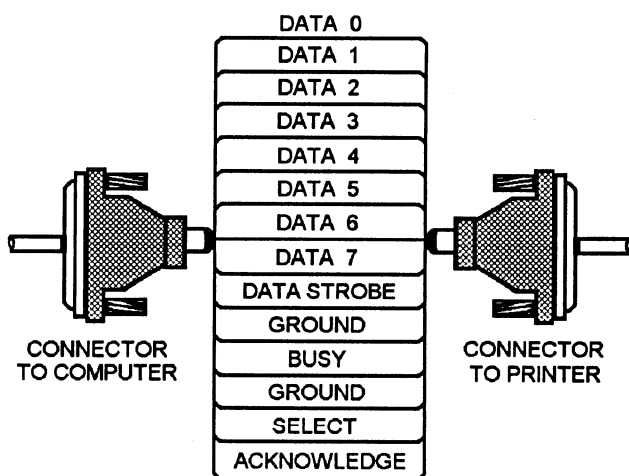
**ACKNOWLEDGE SIGNAL.**— The acknowledge signal is sent from the device to the computer to say that it has successfully received information (a character is this case). Thus instead of sending information at a constant rate, the computer waits for a positive indication that each character has been received before sending the next one.

**DATA LINES.**— Input/output data and interrupt bits are sent or received from the computer on these lines.

### Single Cable Sequence of Events

The general sequence of events for a single cable parallel operations is as follows:

1. The computer puts the character on the data lines and sends the data strobe signal to tell the external device the data is there.
2. As soon as the external device sees the data strobe, it turns on the busy signal, telling the computer to wait while it reads the character from the data lines into its buffer.
3. Once the external device has processed the character, it sends the acknowledge signal and simultaneously removes the busy signal.
4. This tells the computer that it is all right to send another character and the process is repeated.



ETFC0089

Figure 7-28.—Single parallel cable.



## Computer to External Equipment (Two Cables)

Two cables will make up one channel. As stated with two cables, one cable will specifically handle input functions and the other cable will handle **output** functions. Refer again to figure 7-27. Notice the direction of information flow. Data request signals are always sent from the external equipment to the computer. The acknowledge signals are always sent from the computer to the external equipment.

**INPUT CABLE.**— The input cable contains control lines and data lines. The number of lines will vary with the type of computer. They range from 8 to 64 lines. The operating mode (single, dual, and so on) has an effect on the number of lines affected. External devices send input data words and interrupt codes to the computer via input data (ID) lines. The information carried over these lines is as follows:

- **External Interrupt Enable (EIE)** —The computer sends the external interrupt enable signal to the external device to indicate it is ready to accept an external interrupt code word on that channel.

- **Input Data Request (IDR)** —The input data request control signal accompanies each input data word sent to the computer from the external device. The external device informs the computer that it has placed an input data word on the lines.

- **External Interrupt Request (EIR)** —The external interrupt request control signal accompanies each interrupt code sent to the computer from the external device. It informs the computer that an interrupt code is on the data lines.

- **Input Data Acknowledge (IDA)** —The input data acknowledge control signal informs the external equipment that the computer has sampled the input word or interrupt code on the input data lines on that channel.

**OUTPUT CABLE.**— The output cable contains control lines and data lines. Again the number of lines will vary with the type of computer. They range from 8 to 64 lines. The operating mode (single, dual, and so on) has an effect on the number of lines affected. Output data words and external function words are sent to the external device via data lines. The information carried over these lines is as follows:

- **External Function Request (EFR)** —The external device sends the external function request signal to the computer indicating that it is ready to accept an EF code word on that channel.

- **External Function Acknowledge (EFA)** —The computer sends the external function acknowledge signal to the external device indicating that it has placed an EF code word on the OD lines of that channel. This signal accompanies each function codeword sent to the external device.

- **Output Data Request (ODR)** —The external device sends the output data request control signal to the computer indicating that it is ready to accept an output data word.

- **Output Data Acknowledge (ODA)** —The computer sends the output data acknowledge signal to the external device indicating it has placed a word of data on the OD lines of that channel. This signal accompanies each output data word sent to the external device. It informs the external device that an output data word is on the data lines.

### Two Cable Sequence of Events

The sequence of events using an input, output, external function (buffered), and external interrupt operations is described from the computer's point of view. We begin from the point that an input **data (ID)**, **output data (OD)**, **an external function (EF)**, or an **external interrupt (EI)** has been established for a channel. The computer and the external equipment on that channel transfer data as described in the following paragraphs. Refer back to figure 7-27.

**INPUT DATA (ID) SEQUENCE OF EVENTS.**— We begin from the point that an ID has been established for a channel. The computer and the external equipment on that channel will do the following to transfer data:

1. The external equipment places a word of data on the ID lines.
2. The external equipment sets the IDR line to indicate that a word of data is on the ID lines.
3. The computer detects the setting of the IDR line in accordance with internal priorities.
4. The computer samples the data word that is on the ID lines.

5. The computer sets the IDA line, indicating that it has sampled the data word on the ID lines.
6. The external equipment detects the setting of the IDA line. The external equipment may clear the IDR line anytime after detecting the setting of the IDA line, but will clear the IDR before the computer will recognize the next IDR.
7. The computer clears the IDA line before reading the next word on the ID lines.

**OUTPUT DATA (OD) SEQUENCE OF EVENTS.**— We begin from the point that an OD has been established for a channel. The computer and the external equipment on that channel will do the following to transfer data:

1. When the external equipment is ready to accept data, it sets the ODR line (this may already have happened before the OD buffer was established).
2. The computer detects the setting of the ODR line in accordance with internal priorities.
3. The computer places a word of data on the OD lines.
4. The computer sets the ODA line to indicate that a word of data is on the OD lines.
5. The external equipment detects the setting of the ODA lines. (The external equipment may clear the ODR line anytime after detecting the setting of the ODA, but clears the ODR line before the computer will recognize the next ODR).
6. The external equipment samples the data word that is on the OD lines.
7. The computer clears the ODA line before placing the next word on the OD lines.

**EXTERNAL FUNCTION (EF) SEQUENCE OF EVENTS (NORMAL).**— We begin from the point that an EF has been established for a channel. The computer and the external equipment on that channel will do the following to transfer:

1. When the external equipment is ready to accept an EF code word, it sets the EFR line (this may have already happened before the EF buffer was established).
2. The computer detects the setting of the EFR line in accordance with internal priorities.
3. The computer places an EF code word on the OD lines.

4. The computer sets the EFA line to indicate that the EF codeword is on the OD lines.
5. The external equipment detects the setting of the EFA line. The external equipment may clear the EFR line anytime after detecting the setting of the EFA line, but clears the EFR line before the computer will recognize the next EFR.
6. The external equipment samples the EF code word that is on the OD lines.
7. The computer clears the EFA line before placing the next word on the OD lines.

Forced external functions are the same as normal external functions except the computer does not require an external function ready signal from the external equipment, so the computer will not be delayed by steps 1 and 2.

**EXTERNAL INTERRUPT (EI) SEQUENCE OF EVENTS.**— The computer and the external equipment do the following to transfer an EI code word:

1. The computer, under program control, sets the EIE line when ready to accept an EI.
2. The external equipment detects the state of the EIE line.
3. When the status requires that the computer be interrupted, the external equipment places an EI code word on the ID lines.
4. The external equipment sets the EIR line to indicate that the EI codeword is on the ID lines.
5. The computer detects the setting of the EIR line in accordance with internal priorities.
6. The computer samples the EI codeword that is on the ID lines.
7. The computer clears the EIE line.
8. The computer sets the IDA line.
9. The external equipment detects step (8) or both steps (7) and (8). The external equipment may clear the EIR line anytime after detecting the setting of the IDA line, but clears EIR line before the computer will recognize the next EIR.
10. The computer clears the IDA line before sampling the next word on the ID lines.

**NOTE:** Not all computers have the EIE lines; consult your computer's technical manual.

The computer and external device repeat these sequences for each successive word of data until they have transferred the block of data words specified by the input buffer control words.

### Intercomputer I/O Operations

Parallel channels are often used to communicate between two stand-alone computers. In this mode, the computers will appear as external devices to each other. One computer will be designated the transmitting (outputting) computer; the other computer will be designated the receiving (input) computer. A similarity exists between intercomputer channels and normal channels. The two cables are identical; in this mode all the signals remain the same except ODA and ODR, which become ready and resume respectively. Figure 7-29 illustrates the interface between two computers.

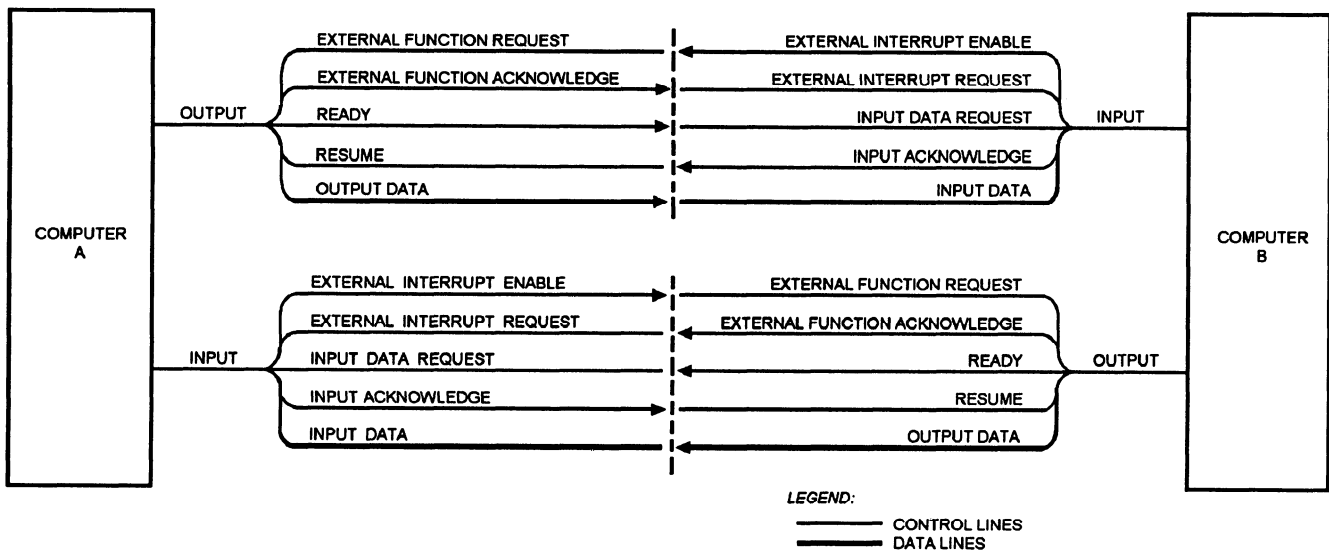
The two types of information transferred over the intercomputer channels data lines are **command words** and **data words**. Command words are used to exchange external function data, which includes external functions, forced external functions and external function buffer words, between the transmitting computer and the receiving computer. Data words are sent as part of output data buffers from the transmitting computer and accepted as part of the receiving computers input data buffer. Command words use additional interface signals to identify their function and to coordinate their transfer. When the transmitting computer generates an external function acknowledge signal with the ready signal, the data word transmitted is identified as a forced external function or an external function command word. The external

interrupt enable signal is set to identify the command word as an external function command word. If the external interrupt enable is not set, the command word is a forced external function.

The sequence of events for intercomputer command word and data transfers is as described in the following paragraphs.

**INTERCOMPUTER COMMAND WORD TRANSFER (BUFFERED).**— Whenever the transmitting computer has an EFR line and the receiving computer has an EIE line, transfer of **buffered** command words is possible. As you read, refer to figure 7-29; we designate computer A as the sending computer and computer B as the receiving computer. Whenever an EF buffer has been established in the transmitting computer for a channel, the transmitting computer and the receiving computer do the following to transfer a command word:

1. Computer B, under program control, sets the EIE line when it is ready to accept an EF command word from computer A.
2. In accordance with internal priority, computer A recognizes the EIE as an EFR and places the EF code on the data lines. The EF command word will be held on the data lines until computer B sets the resume line or until computer A's program intervenes to resolve the no resume condition.
3. Computer A sets the EFA line to indicate that the EF command word is on the OD lines.



ETFC0090

Figure 7-29.—Intercomputer interface.

4. In accordance with internal priorities, computer B detects the setting of the EFA line of computer A (which will be recognized as the EIR line) and samples the ID lines.
  5. Computer B clears the EIE line.
  6. Computer B sets the IDA line.
  7. Computer A detects the setting of the IDA line of computer B (which will be recognized as the resume line).
  8. Computer A clears the EFA line before placing the next word on the OD lines, and computer B clears the IDA line before reading the next word on the ID lines.
6. Computer A detects the setting of the IDA line of computer B (which will be recognized as the resume line).
  7. Computer A clears the ready line before placing the next word of data on the OD lines, and computer B clears the IDA line before sampling the next word of data on the ID lines.

Computer A and computer B repeat this sequence until they have transferred the block of words specified by the buffer control words. Buffer lengths specified by each computer are the same.

### **SUMMARY—INPUT/OUTPUT (I/O) AND INTERFACING**

This chapter has introduced you to how computers communicate with and control other computers and external devices. The following information summarizes important points you should have learned:

**NOTE:** Whenever the transmitting computer does not have an EFR line, or the receiving computer does not have an EIE line, a command will be transferred with force. For forced transfers, step 3 and step 7 are not used.

Computer A and computer B repeat this sequence for each successive command word until they have transferred the block of command words specified by computer B's EF buffer control words.

**I/O ORGANIZATION—** All computers are capable of I/O operations. Some rely on the CPU to handle I/O operations. Others have an I/O processor (IOC). An I/O processor enables the computer to perform other operations while still performing I/O operations.

**INTERCOMPUTER DATA TRANSFER.—** Whenever an OD buffer has been established in computer A and an ID buffer has been established in computer B for the same channel, computer A and computer B transfer data. Again refer to figure 7-29 with computer A as the sending computer and computer B as the receiving computer. The sequence is performed as follows:

**I/O PROCESSOR—** An I/O processor (IOC) controls the transfer of information between the computer's main memory and the external equipments. IOCs are packaged in (1) IOC/IOA modules or multiple IOC/IOA pcb's, and (2) I/O pcb's. The IOC relieves the CPU of the necessity to perform the time consuming functions of establishing, directing, and monitoring transfers with external equipments. Data and control signals are exchanged with external equipments via the IOA. The IOA changes the input and output control and data signal voltages to the voltage requirements of the computer or external equipments. Communication between the IOC and the IOA is by means of a bidirectional bus.

1. Computer A places a word of data on the OD lines. The OD word is held on the data lines until computer B sets the resume line, or until computer A's program intervenes to resolve the no resume condition.
2. Computer A sets the ready line to indicate that a word of data is on the OD lines.
3. In accordance with internal priorities, computer B detects the setting of the ready line of computer A (which will be recognized as the IDR line).
4. Computer B samples the ID lines.
5. Computer B sets the IDA line.

**I/O DATA ARRANGEMENTS—** The types of information exchanged between the computer and the external equipments fall into two basic categories: data words and control words. Data words represent the alphabetic and numeric information exchanged. Control words specify an action to be accomplished by an external equipment.

**I/O DATA FORMATS—** Computers exchange data in either parallel or serial format. When the computer uses a parallel configuration, all bits of information represented by a byte or word are input or

output simultaneously. When the computer uses a serial configuration, all bits of information are input or output one at a time.

**I/O INSTRUCTIONS**— All computers have I/O instructions. Command instructions are executed by the IOC under the control of the CPU's main program. They provide control over IOC single- and dual-channel operations. A chain consists of IOC control words, command words, output data words, and specified locations for external status words and data words returned (input) from the channel.

**I/O OPERATIONS**— Input/output operations are initiated by the CPU. Computers with an IOC begin I/O control functions only after an initiate I/O or equivalent instruction is executed by the CPU. Computer instructions inform the external equipment which type of operations to perform with function codes. They also specify memory areas for input and output information.

**OPERATING MODES**— I/O operations include both digital and linear ICs. The linear IC circuits are the first and last type of circuitry the information interfaces with when entering and leaving the computer. Registers in I/O operations provide the interfacing between the CPU, I/O, and memory. They enable and route control and data information between the CPU, I/O, and memory using the internal bus system. The data registers are used to hold or buffer data during interchanges between the very fast CPU and the slower external equipments. The status registers hold information for the CPU that indicates the operating condition and current activities of the external equipments.

**I/O FUNCTIONS**— The input and output functions performed by an I/O processor are defined and enabled through the interpretation and execution of input/output and/or input/output controller (I/O(C)) commands obtained from main memory.

**DIRECT CPU INTERFACE**— With direct communication, also called accumulator-based I/O, the peripheral devices are tied directly into the CPU communication bus (control bus, data bus, and so forth). In a simple I/O scheme, the CPU handles all I/O transactions by executing one or more instructions for each word of information transferred.

**DIRECT MEMORY ACCESS (DMA)**— DMA allows blocks of information to be transferred directly in and out of memory and from and to an external device without any CPU intervention. Information is transferred at a speed compatible with that of the

external device. A DMA controller is usually placed between the external device and the computer's bus.

**I/O INTERFACING**— Computers may have a small number of channels or ports with multiple equipments connected to each channel; or they may, particularly in larger computers, have a number of I/O channels with limited numbers or types of external equipments on each channel or port.

**I/O INTERFACING STANDARDS**— There are two major types of computer/external equipment communication formats: serial and parallel. The communication formats are governed by the standard that is identified by the interface. As a general rule, the standards can be divided into four categories: mechanical, electrical, functional, and procedural.

**I/O INTERFACING COMPONENTS**— The computer's I/O processor must ensure that the voltage levels between the computer and the external equipments are compatible. The primary circuitry that accomplishes this is located on an I/O pcb or modules/pcb's that make up an IOA. Some of the primary I/O interfacing hardware include universal receiver-transmitters, line drivers, and line receivers.

**UNIVERSAL RECEIVER-TRANSMITTER**— Within a digital computer, the data is transferred internally using a parallel format. All the bits of a byte or memory word are exchanged simultaneously between registers, buses, and other computer logic. For the data to be communicated over a serial channel, it must be converted from parallel to a serial bit stream. The USART is designed to function as a peripheral device to the microprocessor. The actual conversion from serial to parallel or parallel to serial is performed by the USART and is transparent to the microprocessor. The standard USART chip is comprised of logic circuits, which are connected by an internal data bus.

**LINE DRIVERS/RECEIVERS**— The line drivers/receivers are designed to send and receive signals over short or long distances using serial or parallel format. Large voltages or currents are generated from small voltage or current using TTL or MOS circuitry. The two types most commonly used are single-ended and differential.

**I/O INTERFACE FORMATS**— There is a variety of serial and parallel I/O channel formats. Your computer's technical manual will provide the standards to be used with the cabinet and cable connectors. They will match the standards that govern the requirements for parallel and serial interfacing.

**I/O SERIAL DATA OPERATIONS**— Serial data operations exchange information via a single path, line, or wire. The channel/port itself is made up of several wires, but only one is used to transfer the binary data.

**INTERCOMPUTER I/O OPERATIONS**— Parallel channels are often used to communicate between two stand-alone computers. In this mode, the computers will appear as external devices to each other. One computer will be designated the transmitting

(outputting) computer; the other computer will be designated the receiving (input) computer.

Learn all you can about how input/output operations enable the computer to communicate with and control the variety of equipments used in today's computer systems. Learn about the internal I/O process and the interfacing process. This will help you to troubleshoot and diagnose input/output problems and to repair and/or replace I/O parts.

## CHAPTER 8

# COMPUTER INSTRUCTIONS AND MAN/MACHINE INTERFACES

### INTRODUCTION

You have probably heard people talk about the various computer programming languages used to write computer programs. Maybe you have even written some. Programming languages include procedural-type languages. Examples are COBOL (COMmon Business Oriented Language) to solve business-type problems, and FORTRAN (FORmula Translation) to solve mathematical-type problems. Other languages are interactive languages that enable a person to communicate with a computer in a conversational mode to develop programs. BASIC (Beginner's All-Purpose Symbolic Instruction Code) is an example of an interactive language. Another language called Ada is the language developed for the Department of Defense for use in embedded applications; for example, where a computer serves as a control system. (Ada is named for Ada Augusta Byron, Countess of Lovelace, for her achievements relating to computers. She was a full collaborator and suggested the use of the binary system rather than the decimal system to Charles Babbage, who is recognized as the father of computers.) These are all considered high-level programming languages in that their instructions are in human readable form, such as ADD A to B; LET X = Y, IF A > Y, THEN PRINT Y, and so on. These types of instructions must be translated into machine code for execution by a computer. This is accomplished through special language translation programs. For high-level languages, a compiler program may be used.

There are two other levels of computer languages: assembly language and machine language. Assembly languages use mnemonics, symbols, to represent operations. For example, "A" might mean add and "STR" might mean store. Like high-level languages, these must be translated before a computer can execute the instructions. To translate assembly language programs, an assembler program is used.

By now, you have probably noticed that for an instruction to be executed, it must be in machine code that consists of a series of 0's and 1's—the only things a computer can understand. You have probably also realized that to write instructions in 0's and 1's would be tedious, difficult, and time consuming. Therefore, the assembly languages and the high-level languages provide easier means for people to use to interface with computers to specify the steps a computer is to perform. As a technician who is looking primarily at the internal functions of a computer, you need to understand machine code and how it works. Some of the operator/maintenance panels display information in binary, as you have already learned. It will be up to you to interpret codes as meaningful information. Other displays present information in commonly used words, terms, and numbers. In these cases a computer, through program instructions, translates/interprets the binary codes into meaningful information. This information is then presented to you.

As we have just said, the machine instructions (code) provide the computer with the means to carry out various operations; both internal and external. Internal and external operations include processing the data and interfacing with other computers, peripherals, and display and communications systems as part of a computer system and performing maintenance.

The man/machine interfaces enable you to communicate with the computer's hardware and software through controlling devices and software/programs.

**After completing this chapter, you should be able to:**

- Describe and recognize instruction types and their uses
- Describe the types of instructions, their designators and classes, used by computers
- Describe how to interface with a computer's hardware and software

We begin by discussing computer instructions; program types; and instruction levels, types, interpretation, formats, sizes, and operand addressing.

---

## TOPIC 1—COMPUTER INSTRUCTIONS

Computer instructions tell the equipment to perform a designated operation. These machine instructions are contained in an instruction set (the **computer's repertoire of instructions**). They will be processed by the CPU. Some computers have an I/O controller (IOC) unit with its own set of instructions. Each instruction in the set/repertoire contains at least an operation (op) code to tell the CPU what operation to perform. It may also contain an operand to identify the address part of the instruction and/or other information (designators) needed by the CPU to perform the operation.

Before we discuss individual instruction types and formats, let's look at some of the types of computer programs/software commonly used.

### TYPES OF COMPUTER PROGRAMS/SOFTWARE

A computer program is a sequence of instructions, written in a specified way to perform a **plan** (an algorithm) and/or **routine**. Programs are written to manage a computer and its resources, solve a problem or type of problem, and/or diagnose malfunctions in a computer. Programs include **hardwired** (read-only) programs stored in a read-only memory (ROM) or programmable ROM (PROM). They also include

programs that were written by **programmers** and can be altered (authorized software changes) as required. Hardwired programs are installed at the factory and cannot be altered except by replacing the ROM or reprogramming the PROM. Other programs are generally stored on magnetic media (tape or disk) or on optical compact disk (CD) ROM. These programs are loaded into computer memory when needed.

You will encounter several general types of programs. These include operating systems, application/operational programs, and utility programs (utilities). Programs may be written to run on a stand-alone computer or interactively on two or more computers connected together.

### Operating Systems

An operating system is a collection of many programs used by a computer to manage its own resources and operations. The types of operating systems include the following:

- Single tasking
- Multitasking
- Real-time
- Local-area network
- Wide-area network



- Virtual (VOS)
- Disk (DOS)

Operating systems provide the link between the hardware and its user as well as enabling the execution of operational and/or application programs designed for specific use.

### **Application/Operational Programs**

Programs for the computers you maintain will be used in tactical, tactical support, and nontactical platforms. These programs are designed to solve specific types of problems. They are commonly called application programs, operational programs, or processing programs. The programs used in tactical or tactical support platforms, such as CDS/NTDS or ASWOCs, are generally called operational programs. The programs used with the SNAP systems (I and II) are, as a rule, called application programs. Programs available commercially that are designed to solve specific classes of problems are often called packaged software or off-the-shelf software. These include word processing, database management, graphics, spreadsheet, and desktop publishing programs to name a few.

### **Utility Programs**

Utility programs include general routines or diagnostics run by the computer to test other equipments or itself. A programmed operational and functional appraisal (POFA) to test magnetic tape units and a diagnostic test for a computer are examples. Utilities can be run as stand-alone programs, such as microcomputer diagnostics, a maintenance test program (MTP), a POFA, and a standard test program (STP) using a standard test driver (STD). They can also be run as part of an operating system (if memory permits) or as online diagnostic tests such as on a SNAP system or NTDS. Utility programs also include programs and routines to perform general routine tasks, such as disk/tape copy and print. These, too, can be stand-alone programs or they maybe included with the operating system or other programs.

### **LEVELS OF INSTRUCTIONS**

The CPU executes machine instructions, which manipulate the data within the functional units of the computer. In early computers, only one level of machine instructions was used. In modern computers, this only remains true in microprocessors and most

microcomputers. For most computers, there are now two levels of machine instructions: **microinstruction** and **macroinstructions**. In larger microprocessor-based devices (minicomputers and mainframes), each microinstruction is in effect a predetermined and installed set of microinstruction.

The particular device's **instruction set** is made up of the highest levels (micro or macro) of machine instructions. The instruction set is the complete set of individual operations that can be executed or performed by the particular microprocessor or computer. In microprocessors, microcomputers, and microprocessor controlled peripherals, the machine instructions are referred to as microinstruction, and the microprocessor executes them to perform the desired operations.

In mini and mainframe computers, the machine instructions are actually macroinstructions. Once again, a microinstruction is a predetermined or preset sequence of microinstruction. Since most of the larger devices are microprocessor driven, it is necessary to break down the larger microinstruction into a series of smaller events that a microprocessor can handle. The microinstruction that make up the macroinstructions do not normally concern the computer programmer who uses only the microinstruction set. The microinstruction are usually stored in some form of local memory, accessible only to the microprocessor translating and executing the macroinstructions.

Instruction sets differ to some degree between computers, particularly between those of different manufacturers, types, and generations of computers. The actual number of instructions in an instruction set has a direct affect on the overall operation of the device. Computers with small instruction sets are easier to understand, and this simplifies both programming and maintenance. A large instruction set tends to support more specialized activities or functions that make the overall operation of the device more efficient or more tailored to the user's requirements. An example of a large instruction set is one used on large mainframes aboard a ship.

### **TYPES OF INSTRUCTIONS**

The flow of data in a computer is the result of instruction execution. Data can be exchanged between registers. It can be moved from one register to another. It can be moved from a register to a memory location or vice versa. Arithmetic instructions can be performed using the contents of registers and memory locations. Logical instructions can be used to isolate bits in

registers and memory locations. How machine instructions within an instruction set are classified differ by computer type and manufacturer.

### Instructions Classified by Function

Instructions can be classified in general terms by the type of operation they perform—data movement, transfer of control or program sequencing, arithmetic, and logical.

**MOVEMENT INSTRUCTIONS.**— Movement instructions literally move the data in some way. They include internal, external, and data assignment instructions.

**Internal Instructions.**—Internal instructions move the data within the confines of the computer. They include the following examples:

- **Load** —Load the A register with the contents specified by the operand
- **Move (transfer)** —Move the contents of one register to another register
- **Store** —Store the contents of a register into a specified memory address

**External Instructions.**—Instructions dedicated to I/O are external instructions. They include **inputting** data from a peripheral device, such as a magnetic tape unit or **outputting** data to a peripheral, such as a printer.

**Data Assignment (Special-Purpose) Instructions.**—Data assignment instructions include those that set or clear status indicating bits that are normally held in an active status or flag register. Some examples of active status registers include state indicators, upper/lower control indicator of half-word instructions, interrupt lockouts, memory lockout inhibit, bootstrap mode, fixed point overflow, and compare designators. Some examples of flag bits are equal to zero, sign (+ or -), carry, and parity (odd or even).

**TRANSFER OF CONTROL OR PROGRAM SEQUENCING CONTROL INSTRUCTIONS.**—Transfer of control or program sequencing control instructions enable the programmer to change the sequence in which instructions are executed by branching to another area of a program. They also include instructions for a **subroutine** to perform a function.

**Branching Instructions.**— Branching instructions make it possible to change the sequence in which the

computer performs instructions. An **unconditional** branching instruction always causes a jump to a new area of memory. An example is a jump (JMP) instruction. Branching instructions often use a modifier in the instruction to establish a condition to be met. These types of branching instructions are called conditional branching instructions. A **conditional** branching instruction causes a jump to a new area of memory only when a specific condition is met, such as IF A = 0 JUMP TO.... A conditional branching instruction may also rely on the setting of a switch on the computer's controlling device to be included with the instruction, such as IF JUMP 1 SWITCH IS SET JMP TO . . . .

**Subroutine.**— A subroutine may include a function that is routinely repeated, such as incrementing or decrementing an index register or a short multiply routine when no multiply instruction exists. Some functions performed in a subroutine may include **stack pointer** management and data buffering algorithms such as **last-in, first-out (LIFO)** and **first-in, first-out (FIFO)** methods.

**ARITHMETIC INSTRUCTIONS.**— Arithmetic instructions include add, subtract, multiply, divide, shift, increment, decrement, clear, and negation instructions. Depending on the design of the computer, absolute numbers are involved in arithmetic calculations. Also depending on the design, **math pac** and **numeric data coprocessor** are used in some computers in addition to the normal arithmetic instructions available. They execute the arithmetic instructions the CPU's ALU cannot and are still controlled by the CPU's program control.

**LOGICAL INSTRUCTIONS.**— Logical instructions include and, or, not, exclusive or/nor, compares, and shift instructions. They are often used in computers with multiply or divide instructions, in calculations to isolate bits. They also include compare type instructions. Compare type instructions are greater than (>), less than (<), equal to (=), not equal to (<>), check for positive, and check for negative.

### Instructions Classified by Their Action on Operands

Instructions may also be classified by their action on an operand. They may read, store, or replace an operand. For example, ADD LOGICAL PRODUCT is classified as a read instruction; STORE LOGICAL PRODUCT is classified as a store instruction; and REPLACE SELECTIVE CLEAR is classified as a

replace instruction. Figure 8-1 illustrates instructions with their classification (read (R), store (S), or replace (RP)).

- **Read** —Read instructions acquire an operand from main memory.
- **Store** —Store instructions process an operand already acquired and store it in main memory.
- **Replace** —Replace instructions acquire and process an operand and then store it in memory.

## INSTRUCTION LANGUAGE INTERPRETATION

The instruction format provides the means to customize each instruction. A list of instructions with their formats, symbols, and meanings provides you a means to interpret what an instruction will ultimately accomplish. This is a very useful troubleshooting tool to help isolate a specific malfunction. The instructions differ between types of computers. Take a

FUNCTION (OP) CODE	NAME	FORMAT	CLASS
00	Illegal	—	
01 0	Inclusive OR (Selective Set A)	II	R
01 1	Selective Clear A	II	R
01 2	Selective Substitute	II	R
01 3	Exclusive OR (Selective Complement A)	II	R
01 4	Add Logical Product	II	R
01 5	Load Logical Product	II	R
01 6	Subtract Logical Product	II	R
01 7	Load Logical Product Next	II	R
02 0	Count Ones	II	R
02 1	Illegal	—	—
02 2	Execute Remote	II	R
02 3	Execute Remote Lower	II	R
02 4	Store Logical Product	II	S
02 5	Store Sum	II	S
02 6	Store Difference	II	S
02 7	Double Store A	II	S
03 0	Replace Inclusive OR	II	RP
03 1	Replace Selective Clear	II	RP
03 2	Replace Selective Substitute	II	RP

Figure 8-1.—Examples of computer instructions.

few minutes to study figures 8-2, A and 8-2, B. Figure 8-2, A shows two examples of instructions used in tactical data systems. Figure 8-2, B shows examples of instructions used on a typical general-purpose microcomputer. By looking at the information provided about an instruction, you will be able to tell

the **op (function)** in hex or octal, **operation or name**, **mnemonic**, and **description** or **Boolean/ arithmetic operation**; You will also notice the parts peculiar to a specific computer and its instructions. Among those are addressing modes, status indicating registers, coding format, and soon.

CPU REPertoire OF INSTRUCTIONS									
CODE	Mnemonic	NAME	DESCRIPTION	F	CA	R	UF	TIME:	#S
00	ILLEGAL								
01 0	OR	INCLUSIVE OR (SELECTIVE SET A)	$(Y) \oplus (A_a) \rightarrow A_a$	11	Y	Y	2	1.5	
01 1	SC	SELECTIVE CLEAR A	$(A_a) \circ (Y)' \rightarrow A_a$	11	Y	Y	2	1.5	
01 2	MS	SELECTIVE SUBSTITUTE	$(Y)_n \rightarrow (A_a+1)_n$ FOR ALL $(A_a)_n = 1; (A_a)_i = (A_a)_f$	11	Y	Y	2	1.5	
01 3	XOR	EXCLUSIVE OR (SEL. COMP. A)	$(Y) \oplus (A_a) \rightarrow A_a; (A_a)'_n \rightarrow (A_a)_n$ FOR $(Y)_n = 1$	11	Y	Y	2	1.5	1.5

CMR - CONTROL MEMORY REGISTER	UF - ULTRA FORMAT	Y - OPERAND (Y) (WHOLE WORD OR PARTIAL WORD) OR Y, DEPENDING ON K
F - FORMAT	(A) <sub>n</sub> - CONTENTS OF A, BIT n	O - LOGICAL PRODUCT (AND)
CA - CHARACTER ADDRESSABLE	CD - COMPARE DESIGNATOR	⊕ - LOGICAL SUM (INCLUSIVE OR)
R - REPEATABLE	Y - ADDRESS FORMED BY y + (Bb) + (Ss)	⊖ - LOGICAL DIFFERENCE (EXCLUSIVE OR)
DSW - DESIGNATOR STORAGE WORD	ICW - INITIAL CONDITION WORD	

CENTRAL PROCESSOR UNIT (CPU) INSTRUCTIONS									
OCTAL FORMAT	CODING FORMAT	PRIV	7	NAME	DESCRIPTION	F	1A	CA	R REF
00	N/A			ILLEGAL	N/A				
01 0	OR a,y,b,s	N	Y	INCLUSIVE OR (SELECTIVE SET A)	$(Y) \oplus (A_a) \rightarrow A_a$	11	Y	Y	Y A.2
01 1	SC a,y,b,s	N	Y	SELECTIVE CLEAR A	$(A_a) \circ (Y)' \rightarrow A_a$	11	Y	Y	Y A.3
01 2	MS a,y,b,s	N	Y	SELECTIVE SUBSTITUTE	$(Y)_n \rightarrow (A_a+1)_n$ FOR ALL $(A_a)_n = 1; (A_a)_i = (A_a)_f$	11	Y	Y	Y A.4
01 3	XOR a,y,b,s	N	Y	EXCLUSIVE OR (SEL. COMP. A)	$(Y) \oplus (A_a) \rightarrow A_a; (A_a)'_n \rightarrow (A_a)_n$ FOR $(Y)_n = 1$	11	Y	Y	Y A.5

SYMBOL	DEFINITION	SYMBOL	DEFINITION
a	INSTRUCTION FIELD DESIGNATING AN ACCUMULATOR REGISTER INDEX REGISTER, OR IOC NUMBER	PRIV	COLUMN DESIGNATES WHICH INSTRUCTIONS ARE PRIVILEGED: P = PRIVILEGED N = NOT PRIVILEGED C = PRIVILEGED UNDER SPECIAL CONDITIONS (REFER TO IS A REF COLUMN).
b	INSTRUCTION FIELD DESIGNATING AN INDEX OR ACCUMULATOR REGISTER.	R	CAN BE REPEATED
CA	CAPABLE OF BEING INDIRECT ADDRESSABLE: Y = CAPABLE N = NOT CAPABLE	s	INSTRUCTION FIELD DESIGNATING A BASE REGISTER
F	INSTRUCTION FORMAT DESIGNATION	y	INSTRUCTION OPERAND FIELD DESIGNATING AN ADDRESS OR VALUE
1A	CAPABLE OF BEING INDIRECT ADDRESSABLE: Y = CAPABLE OF INDIRECT ADDRESSING. N = NOT CAPABLE OF INDIRECT ADDRESSING. C = CAPABLE OF INDIRECT ADDRESSING UNDER CERTAIN CONDITIONS; REFER TO ISA REF COLUMN.	Y	EFFECTIVE ADDRESS FORMED BY y + (Bb) + [(Ss) + (Qs)] (CMP MODE.) EFFECTIVE ADDRESS FORMED BY y + (Bb) + (Ss) (NTV MODE.)
ISA REF	CONTAINS PARAGRAPH REFERENCES TO THE ISA SPECIFICATION TO FURTHER EXPLAIN INSTRUCTION OPERATION	7	THIS COLUMN INDICATES WHICH INSTRUCTIONS ARE EXECUTABLE IN CMP MODE: Y = EXECUTABLE N = NOT EXECUTABLE D = THESE INSTRUCTIONS WHEN EXECUTED IN THE NTV MODE OPERATE DIFFERENTLY THAN IN THE CMP MODE. REFER TO THE PARAGRAPH NOTED IN THE ISA REF COLUMN FOR THE DIFFERENCES.

FCNP0058

Figure 8-2, A.—Examples of instruction interpretations for two mainframe computers.

OPERATIONS	MNEMONIC	ADDRESSING MODES					BOOLEAN/ARITHMETIC OPERATION (ALL REGISTER LABELS REFER TO CONTENTS)	CONDITION CODE REGISTER					
		IMMEDIATE	DIRECT	INDEX	EXTENDED	IMPLIED		5	4	3	2	1	0
		OP ★ =	OP ★ =	OP ★ =	OP ★ =	OP ★ =		H	I	N	Z	V	C
ADD	ADD	8B 2 2	9B 3 2	A8 5 2	B8 4 3		A + M → A	↑	●	↑	↑	↑	↑
CLEAR	CLR			6F 7 2	7F 6 3		00 → M	●	●	R	S	R	R
EXCLUSIVE OR	EXOR	88 2 2	98 3 2	A8 5 2	B8 4 3		A ⊕ M → A	●	●	↑	↑	R	●
LOAD ACMITR	LDAA	86 2 2	96 3 2	A6 5 2	B6 4 3		M → A	●	●	↑	↑	R	●
SUBTRACT	SUB	80 2 2	90 3 2	A0 5 2	B0 4 3		A - M → A	●	●	↑	↑	↑	↑

LEGEND	
OP OPERATION CODE (HEXADECIMAL)	- ARITHMETIC MINUS
★ NUMBER OF CPU CYCLES	⊕ BOOLEAN EXCLUSIVE OR
= NUMBER OF PROGRAM BYTES	→ TRANSFER INTO
+ ARITHMETIC PLUS	00 BYTE = ZERO

CONDITION CODE SYMBOLS	
H HALF-CARRY FROM BIT 3:	C CARRY FROM BIT 7
I INTERRUPT MASK	R RESET
N NEGATIVE (SIGN BIT)	S SET
Z ZERO (BYTE)	: TEST AND SET IF TRUE
V OVERFLOW, 2's COMPLEMENT	● NOT AFFECTED

FCNP0059

Figure 8-2, B.—An example of instructions for a typical microcomputer.

## INSTRUCTION FORMATS

Instruction formats vary between microprocessors and minicomputers and mainframe computers. As the machine instructions are generally longer in larger computers with their larger memory words, the instruction format or how the instruction is translated differs. Each instruction is composed of fields. The lengths of instructions and the lengths and positions of the fields differ depending on the instruction and the computer. An operation (function) code is part of all instructions. How the remainder of the instruction is translated and the names assigned to the parts vary. Let's take a look at two examples of computer instruction formats, one for a microcomputer and one for a mainframe. We begin with the op (function) code, which is common to both; only the length differs.

A typical machine instruction begins with the specification of an operation to be performed, the **operation (op) code**. Refer back to figure 8-1. The op code tells the computer/processor what basic operation to perform. The op code, a part of every instruction, is usually located at the beginning of each instruction format. Following the op code is information, if needed, to define the location of the data or the **operand** on which the operation is to be performed. This location in memory, called the **operand address**,

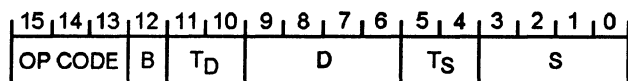
normally defines the location that contains the operand at the start of the operation (the source), or that will contain the modified operand upon completion of the operation (the destination).

The remainder of the instruction and how it is structured differs from one computer or computer type to another. The **designators** in each field and the positions of the fields within the instruction determine how the instruction will affect the operand, registers, memory, and general flow of data in and out of the computer. We discuss the fields and the designators as we discuss the two instruction formats.

### Microcomputer Instruction Formats

A basic 16-bit microinstruction is divided into a number of separate fields. Refer to figure 8-3 as a reference. You'll notice the lengths of the fields vary.

The op code is located in the most significant bits ( $2^{15}$  through  $2^{13}$ ). B (bit  $2^{12}$ ) tells the computer to use all 16 bits as a word or divide the 16 bits into 8-bit bytes.



35NVM059

Figure 8-3.—Example of microinstruction format.

D (bits  $2^9$  through  $2^6$ ) is a code identifying the destination portion of the instruction. S (bits  $2^3$  through  $2^0$ ) identifies the source portion.  $T_D$  (bits  $2^{11}$  and  $2^{10}$ ) and  $T_S$  (bits  $2^5$  and  $2^4$ ) are bits in the instruction word that identify the type of addressing mode being used to locate the destination and source addresses.

As shown in figure 8-4, two or three memory words are required for some instructions depending on the addressing mode indicated by  $T_D$  and  $T_S$ . Addressing modes are discussed in the next section. Microcomputers may have more than one instruction format for the one word instructions. The format depends on the type of instruction being used.

### Mainframe Computer Instruction Formats

The instruction formats for large mainframe computers vary greatly between types, generations, and manufacturers of computers. For our example, we selected the instruction format for CPU instructions of a mainframe computer with 32-bit computer instructions. These instructions can have up to seven basic formats designated I, II, III, IV-A, IV-B, IV-C and V. The majority of these instructions are full memory word (32-bit) instructions. Only formats IV-A, IV-B,

and IV-C are upper or lower half-word (16-bit) instructions.

The instructions are divided into a number of single or multibit fields that each perform a specific function during instruction execution. Two fields called the function code (**f**) and the accumulator or index (**a**) designator fields are consistent throughout all the formats. The f field is the 6-bit function code (op code) and the a field is the 3-bit accumulator register designator field.

The function code (**f**) defines the complete operation to be performed or it may be used in conjunction with other fields called **subfunction designators** to define an operation. The accumulator register designator (**a**) field is used to identify the particular accumulator (0-7), index (0-7), or stack pointer register (0-7) needed for the operation. The formats and instruction fields are described in the following paragraphs.

- **Formats I, II, and III** —These three formats (fig. 8-5) make up the majority of instructions in the example computer's repertoire of instructions. Format I instructions perform the basic load, store, replace, and simple mathematical operations for the computer. Format II instructions are concerned with single precision mathematics, interrupt, and I/O commands. Format III instructions are used for program sequence control (jumps, return jumps, and switch controlled or manual jumps).

The three formats have many fields in common. The nine most significant bits ( $2^{31}$  through  $2^{23}$ ) are made up of the **f** and **a** fields. Only bits  $2^{22}$  through  $2^{20}$  differ between the three formats. In format I, the 3-bit field is called the **k** field or operand interpretation designator. This field is used primarily during mathematical operations. In format II instructions, the three bits become a subfunction code (**f<sub>2</sub>**). And in format III instructions, the three bits become a two-bit subfunction code (**f<sub>3</sub>**) and a single-bit **k** code that is always ZERO for format III instructions.

**NOTE:** Subfunction codes, **f<sub>2</sub>** through **f<sub>6</sub>**, are used as part of the op code unless otherwise specified. A subfunction code of two bits has a maximum value of 3 ( $11_2$ ). A subfunction code of three bits has a maximum value of 7 ( $111_2$ ). For example, the format II op code 07 could have a subfunction 7 and format III op code 53 could have a subfunction code of 3.

The remainder of the instruction, bits  $2^{19}$  through  $2^0$ , is the same for all three formats. There is a 3-bit index register designator code (**b**), a single-bit indirect

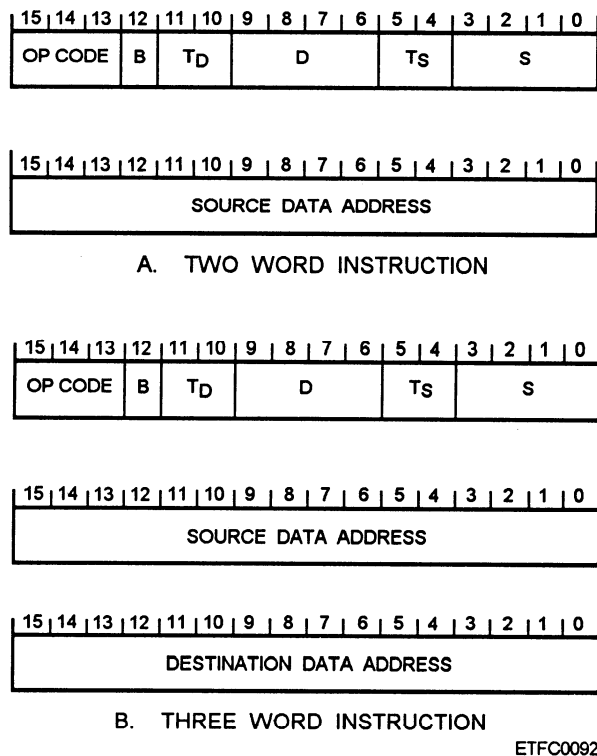
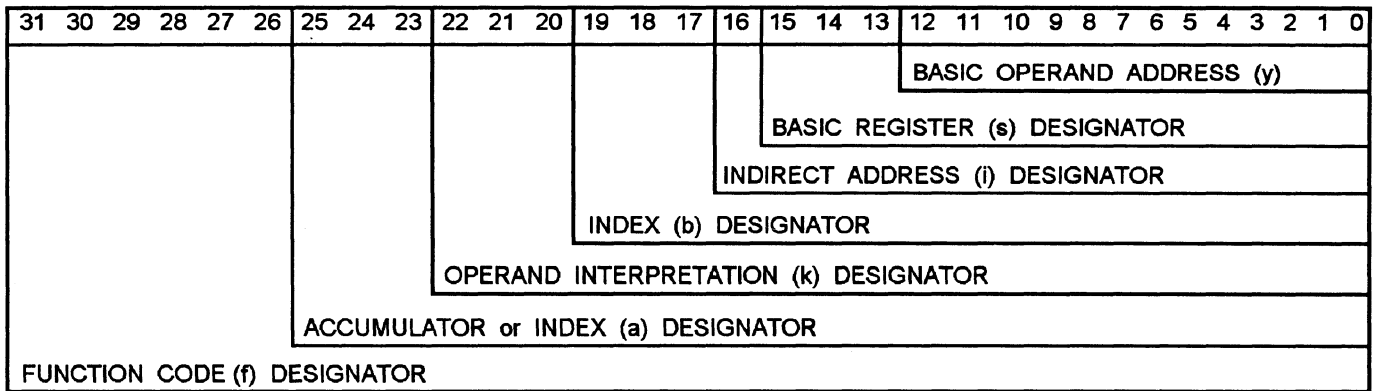
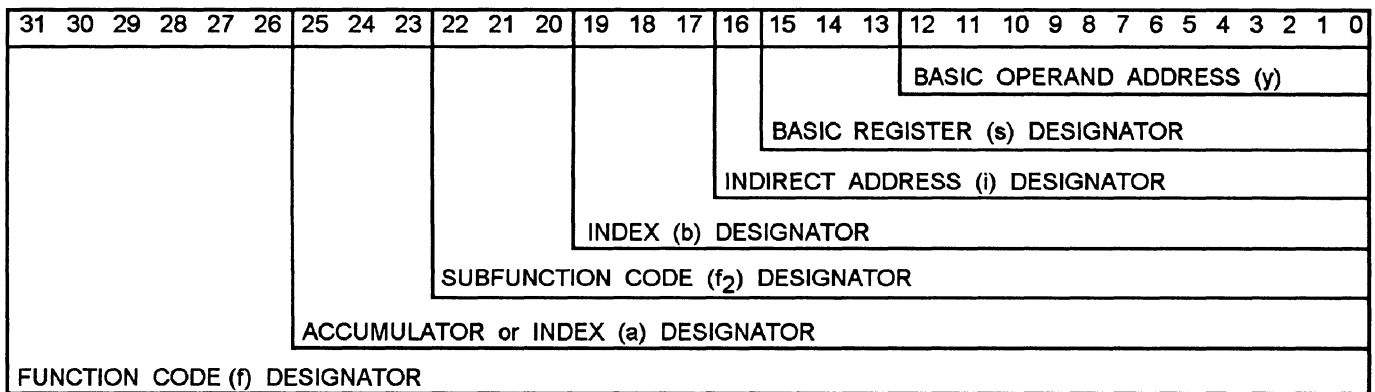


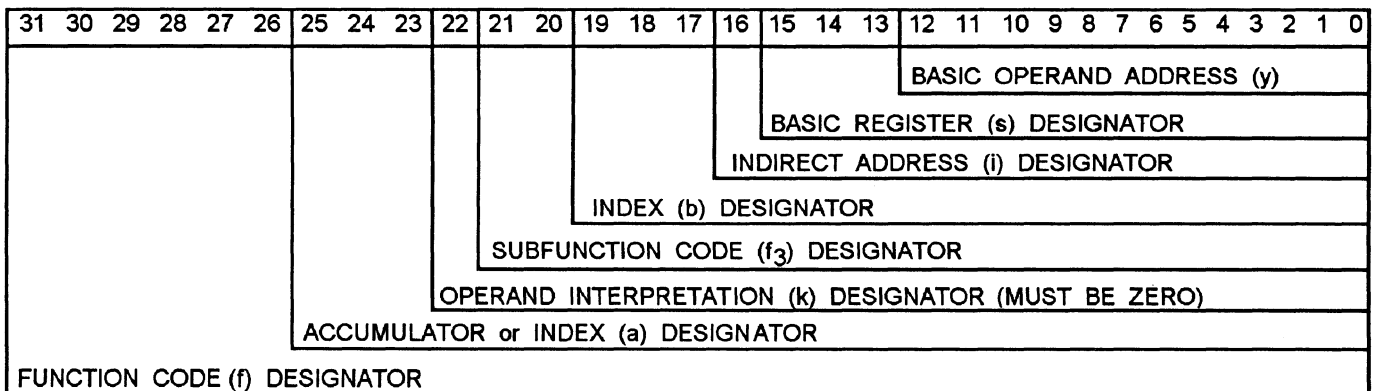
Figure 8-4.—Microcomputer instruction formats with two and three memory words.



**FORMAT I**



**FORMAT II**



**FORMAT III**

35NVM060

Figure 8-5.—Illustrations of instruction word formats I, II, and III.

addressing designator (i), a 3-bit base designator or special selection code (s), and a 13-bit address displacement or operand designator (y). The b code ( $2^{19}$  through  $2^{17}$ ) is used to identify the index register (0-7) being used for indexing or operand address modification. The i code ( $2^{16}$ ) is a ZERO when in direct addressing mode and a ONE when in indirect addressing mode. The s and y codes ( $2^{15}$  through  $2^0$ )

are combined to define one of the following: a 16-bit operand, a constant that can be modified by an index, a jump address, an indirect address, or a string of identifier bits.

- **Formats IV-A and IV-B** —The formats are for 16-bit or half-word instructions. These instructions reside in the upper or lower half-word of a memory location. They are normally stored two to a memory

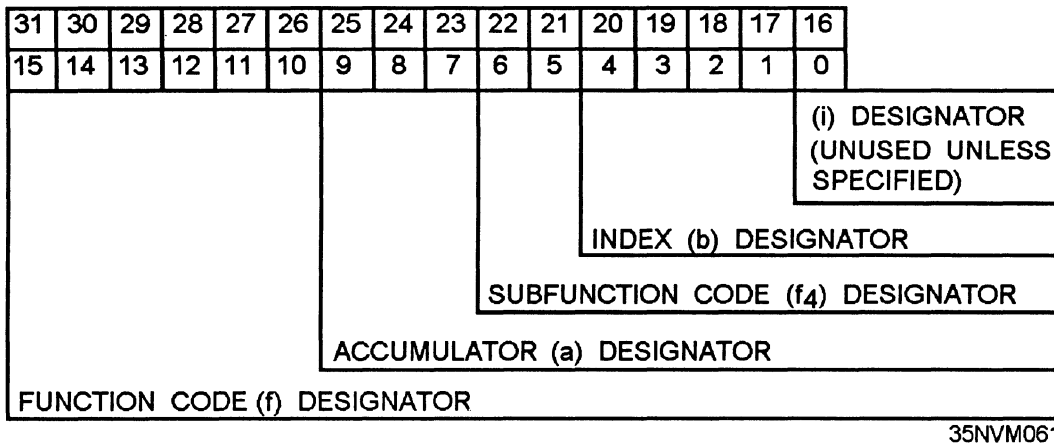


Figure 8-6.—Illustration of instruction word format IV-A.

word. First the computer executes the upper half-word instruction then the lower. If only one of these format instructions is to be stored in a memory word, then it is stored in the upper half-word location. An active status register (ASR) bit ( $2^{15}$ ) is used to keep track of upper/lower half instruction execution.

Format IV-A instructions are used for a variety of computer operations that do not require an operand or operand address to be part of the instruction. These operations include but are not limited to mathematics and comparison operations, IOC commands, task and executive state operations, and real-time or monitor clock operations. The format IV-A instruction (fig. 8-6) is made up of an **f** field, **a** field, **f<sub>4</sub>** field, an index designator (**b**) field, and **i** field, which is unused unless specified. The only field we have not covered is the **f<sub>4</sub>** field, a 3-bit subfunction code. This field can be used to identify code memory registers (CMR) for CMR operations.

Format IV-B instructions are used to shift data stored in an accumulator. The accumulator designator specifies an accumulator in control memory. The shift count designator specifies a shift count or a source of a shift count. Instruction format IV-B (fig. 8-7) is made up of an **f** field, an **a** field, and a shift designator (**m**) field.

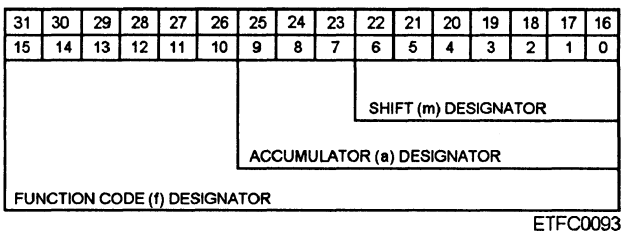


Figure 8-7.—Illustration of instruction word format IV-B.

- **Format IV-C** —Format IV-C instructions (fig 8-8) are used for individual bit operations. These operations include setting, clearing, or testing an individual bit of a specified accumulator register. The 5-bit **n** field provides the bit position pointer to specify the register bit to be operated on.

- **Format V** —Format V instructions are full-word format instructions (fig. 8-9) used for single and double-precision floating-point math operations and other large magnitude number functions. In this format the **f**, **f<sub>s</sub>**, and **f<sub>e</sub>** fields are used to define the specific operation to take place. The **a** and **b** fields are used for accumulator and index register definition. The **m** field provides decimal point positioning values for floating point operations.

## INSTRUCTION OPERAND ADDRESSING

The types of operand addressing usually available are direct, extended, immediate, implicit, indexed, indirect, and relative.

### Direct Operand Addressing

In direct operand addressing, the address of the operand's memory location is contained in the instruction. Figure 8-10 shows an example of direct addressing format.

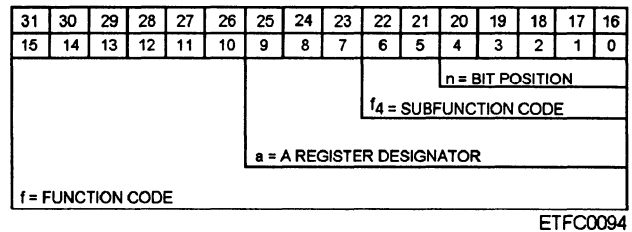
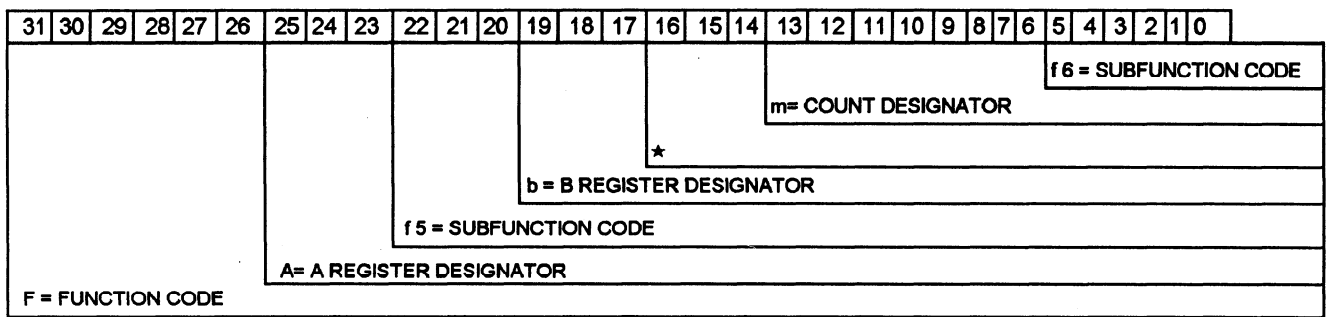


Figure 8-8.—Illustration of instruction word format IV-C.





FCNP0061

★ MUST BE 0 OR A CLASS II ILLEGAL INSTRUCTION INTERRUPT REQUEST IS GENERATED

Figure 8-9.—Illustration of instruction word format V.

### Extended Operand Addressing

Extended addressing. is used when an address of a memory location is too large to fit in one word. For example, on a computer with an 8-bit word (1 byte), only memory locations with addresses within the range of 0 through 255 can be addressed in 1 byte. To enable the computer to address memory locations with larger addresses, two bytes can be interpreted as one address. See figure 8-11.

### Immediate Operand Addressing

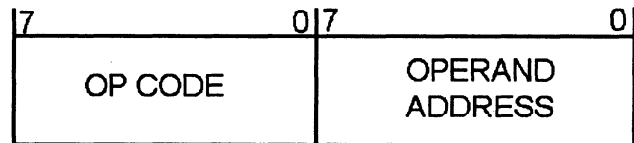
When the immediate format is used, the operand itself is contained in the instruction. In this instruction format, the destination is a general-purpose register defined by the destination register code (fields or designators) located in the instruction. Figure 8-12 is an example of immediate addressing.

### Implicit (Implied) Operand Addressing

In implicit (implied) operand addressing, the operand location is implied by the op (function) code of the instruction (fig. 8-13). For example, the op code CLA could mean “clear the accumulator.” No address needs to be specified because the op code contains all the information needed.

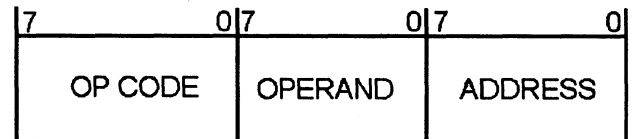
### Indexed Operand Addressing

In the indexed mode, the operand address must be generated when the instruction is being prepared for execution. This is done by adding the address given in the instruction to a value contained in a specified register. The register to be used is specified along with the operand address in the instruction. See figure 8-14. In this example, the parentheses are used to tell that the index mode is needed. The CPU will add the operand whose address is ADDR1 + the value in register 1, R<sub>1</sub>,



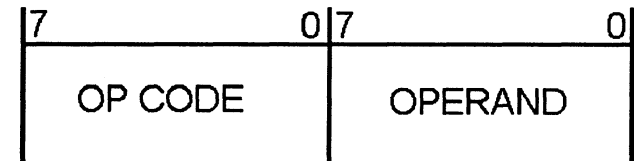
FCNP0062

Figure 8-10.—Example of direct addressing format.



FCNP0063

Figure 8-11.—Example of extended addressing format.



FCNP0064

Figure 8-12.—Example of immediate addressing format.



FCNP0065

Figure 8-13.—Example of implicit (implied) addressing format.

ADD ADDR1(R<sub>1</sub>), R<sub>2</sub>

FCNP0066

Figure 8-14.—Example of indexed addressing.

to the contents of register 2,  $R_2$ . By changing the value in  $R_1$ , different operands may be addressed. This is particularly useful for addressing memory locations in arrays. Indexing is a very useful troubleshooting tool. A short routine can be written to form a program loop to isolate on a specific malfunction.

On some computers, a CPU register is dedicated to this indexing function. In those cases, it is called an **index register** and is usually 3-bits or more depending on the computer type. Some computers permit a general-purpose register to be used as an index register.

### Indirect Operand Addressing

Indirect addressing enables the operand address to vary during program execution by specifying a location in memory or a register in the instruction that tells where the address will be stored. See figure 8-15. In this example, the braces are used to tell that register 2 has been specified to hold the operand address. This means the contents of the main memory location whose address is contained in  $R_1$  are added to the contents of  $R_2$ . Like the indexed mode of addressing, the indirect mode of addressing offers flexibility and is useful in addressing an array of data. Because the actual address pointing to an array can be stored separately from the program in memory, a large number of array pointers can be used.

### Relative Operand Addressing

In many computers, particularly those with multiprogramming capabilities, a separate set of registers called base registers is used to define the start of particular blocks or segments of memory. Each block of memory could contain a separate application program. The contents of a base register is called the base address. Any execution of instructions or referencing of operands within the block of memory defined by the base requires that an offset or relative address be used. The offset is added to the base during instruction execution to allow reference of the correct instruction or operand address.

### INSTRUCTION SIZE

Each address of memory (main or ROM) contains a fixed number of binary positions or bits. The number

**ADD { $R_2$ },  $R_1$**   
 FCNP0067

Figure 8-15.—Example of indirect addressing.

of bits stored at a single address varies among types and generations of computers. For example, some store 8 bits (1 byte) at each location; others store 16, 32, or more bits at each location. The size of each memory location or **memory word** has a direct effect on the execution of machine instructions.

Basic instructions deal with **full word exchanges** as the register size is usually the same as the memory word size. In most computers, particularly those with large memory words, the capability exists to transfer less than a full memory word of information between memory and the applicable register. This allows memory words and registers to be further divided into economically sized bit groups for the most efficient use of memory for information storage and handling. For example, it is preferable to store two 8-bit characters in one 16-bit memory location than to waste an extra 16-bit location for the second character. Let's examine some of the various instruction sizes.

### Full- or Single-Word Instructions

A full- or single-word instruction simply uses all the data contained in the instruction word to execute the instruction regardless of the size: 8-bit, 16-bit, and so on. Refer back to figures 8-3 and 8-5 for examples of full- or single-word instructions, 16-bit and 32-bit.

### Half-Word Instructions

Half-word (upper or lower half) instructions consist of one-half of the normal instruction word size. The half-word instructions are executed by acquiring the complete normal instruction word, consisting of the half-word instruction to be executed and the next sequential instruction. After the first half-word instruction is executed, it is followed by the execution of the next sequential half-word instruction. If only one half-word instruction is used, it is usually located in the upper half of the instruction word with all zeros in the lower half of the instruction word. Refer back to figures 8-6 and 8-7 for examples of a half-word instruction.

### Character-Addressable Instructions

In computers with word lengths greater than 8 bits, character-addressable instructions allow specified bit fields (called characters) of a word to be processed by the instruction. This is done in lieu of processing a whole-, half-, or quarter-word operand. Character addressing is permitted only when the instruction is executed in the indirect address mode. The particular operand bit field to be acquired is specified by the

indirect word addressed by the instruction. In computers with an 8-bit word, no special instruction is needed because each character has its own address.

## TOPIC 2—MAN/MACHINE INTERFACES

### Double-Length Instructions

Double-length instructions consist of two adjacent words stored in memory.

### Multiple-Word Instructions

Multiple-word instructions can be used to process two or more sequential words from memory. This concept is commonly used in microcomputers where the instruction word is 16 bits and the memory word size is 8 bits (a byte). In this case two or more sequential bytes from memory are transferred into two or more 16-bit registers for processing; or multiple word store instructions are used to process 16-bit registers into sequential bytes in memory (two bytes for each register). Refer back to figure 8-4 for an example of a multiple-word instruction format.

To use or maintain a computer, you must be able to control the computer's operation through some form of a **man/machine interface**. The man/machine interface is accomplished by the CPU and will vary with the type of computer. However, there are no major differences in the functions performed by the interfaces. You studied the controlling devices in chapter 3. The controlling devices allow you to interface with the computer. The methods are discussed in this topic.

The controlling devices used by operator and maintenance personnel vary with different types and generations of computers. In some cases the particular devices used are the same for both general system operation and the more specific maintenance functions. In many cases the man/machine interfaces have evolved from large panels containing many pushbutton/indicators, and pushbutton/toggle switches, and switches (fig. 8-16) on a maintenance panel to more

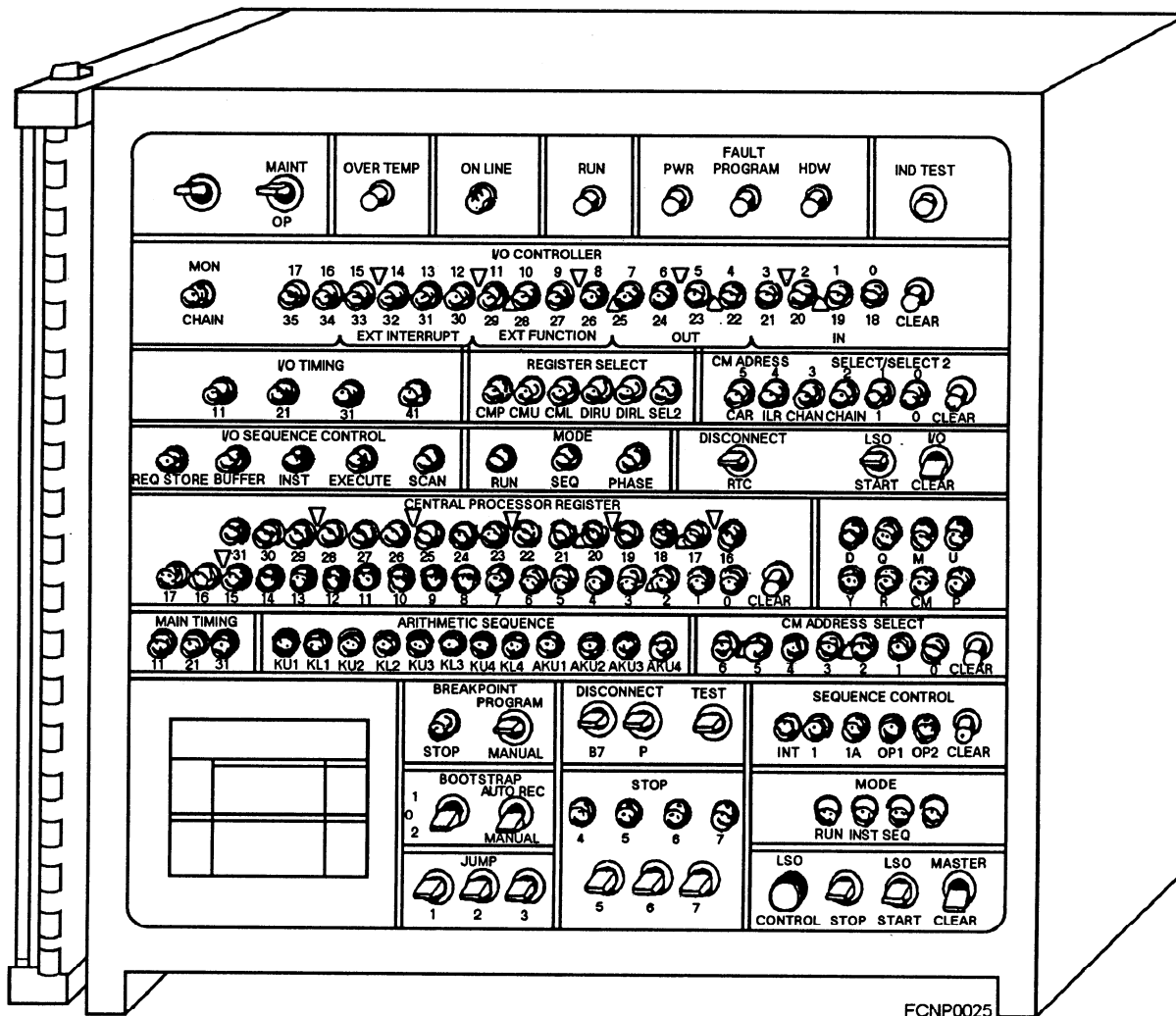


Figure 8-16.—Pushbutton/indicators, push button/toggle switches, and switches on a maintenance panel.

sophisticated microprocessor controlled assemblies containing display panels and data entry keyboards (fig. 8-17) on a display control unit (DCU).

In all cases, the man/machine interface provides you with some form of **data entry** and **data display** capability. The data entry function is used to enter commands or set parameters for computer operations, status, and test activities. The data entry can be made

using the functions of the controlling devices. The data display capability is used to provide hardware status and other system description data to you. The data display capability can also allow you to react in some cases using menus to choose various operations. The man/machine interface is the primary path you use when requesting information on computer faults and for the computer to display the requested data.

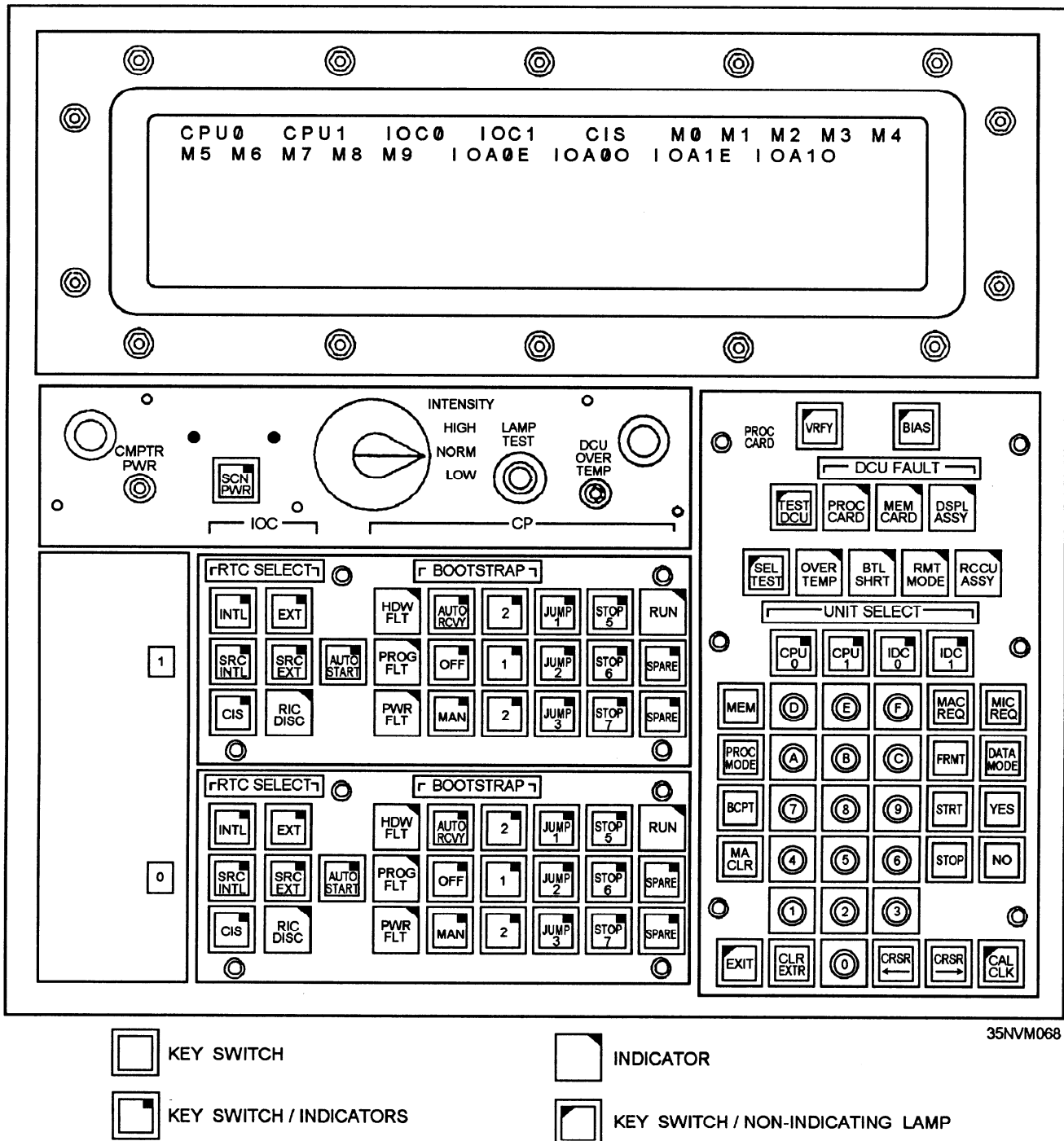


Figure 8-17.—Display panels and data entry keyboards on a display control unit (DCU).

## MAN/MACHINE OPERATING MODES

Controlling the tempo of instructions through man/machine interfaces can be executed in several modes of operation. The two most commonly encountered operating modes are **run** and **stop**. Other modes are step, sequence, and phase.

### Run Mode

When the computer is in run mode, it continually executes instructions one after another as directed by its logic circuits and software. The speed of execution is determined by the timing circuits or **clock** of the CPU.

### Stop Mode

When the computer is stopped, it is not executing an instruction and will not execute an instruction until directed by an operator action (**START** or **RUN** pushbutton with the instruction address in the program counter). A running computer can be stopped by manual action (STOP pushbutton) or by execution of a STOP instruction under program control. Many microcomputers and embedded microprocessors do not have or do not use their STOP mode except from the device maintenance panel. During normal operation, they are designed to run continually from firmware programs once the equipment they are in is powered up. The only way to stop a microcomputer is to power it down.

### Step Mode

Most computers or microprocessor controlled peripherals with maintenance panels offer the technician other modes of operations, specifically some form of **instruction step**. In the instruction step mode, individual instructions are executed one at a time as directed by the technician (pushbutton or toggle switch action) or in some machines at a slower than normal rate as determined by a manually adjustable low-speed oscillator. The contents of the computer registers and memory locations can be tested by the technician at the end of each instruction to verify proper operation or to aid in troubleshooting the computer. In newer computers, instruction step may be divided into two levels: **macro step** or **micro step**.

**MACRO STEP.**— A macro step allows the execution of a single macroinstruction. Those computers using macroinstructions composed of a series of micro instructions may give you the option to

instruction step at either level, macro by macro or micro by micro within an individual microinstruction.

**MICRO STEP.**— A micro step allows the execution of a single microinstruction.

### Sequence Mode

Sequence mode allows the execution of one sequence of an instruction at a time. Each operation of an instruction has an established set of sequences to complete the instruction. This enables you to execute one sequence of an instruction at a time. This is useful for detailed troubleshooting of an instruction.

### Phase Mode

Phase mode allows the execution of one phase of an instruction at a time. If a computer has six main timing phases, you can execute one phase at a time. You can see what the instruction has accomplished at the end of each phase. This is also an aid for detailed troubleshooting.

## MAN/MACHINE OPERATIONS

Interface capabilities available vary from computer to computer. Micros rely on keyboards and mouse devices to interface; consult your computer's manuals for detailed operations. Because more hardware is used on mini and mainframe computers, their interface capabilities provide a greater range to set parameters and control the operations of the computer more closely. This is particularly useful in the preventive and corrective maintenance aspects of your job. Without going into detail, the following functions are commonly available to the technician through the man/machine interface operating modes. Some are self-explanatory; we describe their basic operations.

- **Master Clear** —Clears all I/O and CPU registers and will stop the computer if it is in the run mode
- **Start/Run** —Starts the function determined by the operating mode(s)
- **Stop (computer control)** —Causes computer operations to stop
- **Stop (program control)** —Causes corresponding stops to occur under program control
- **Jump** —Causes corresponding jump to occur under program control
- **Bootstrap** —Addresses NDRO (ROM) depending on position of AUTO RECOVERY or MANUAL switches

- **Real-time clock** —Allows real-time clock to be updated internally or externally

Consult your technical manuals for exact operations used in the different computer operating modes.

## MAN/MACHINE INTERFACE FUNCTIONS

The man/machine interface is used to perform a variety of general functions. These functions include, but are not limited, to the following:

- Configure the computer/processor system
- Apply power
- Enter data and display data
- Execute internal diagnostics
- Execute bootstrap
- Initiate operational programs
- Execute auto restart operations
- Execute diagnostics
- Patch or revise software

Not every man/machine interface function applies to every type of computer; therefore, we look at the three general types of computers (microcomputers, minicomputers, and mainframes) and give an overview of the man/machine interfaces used for each particular type as it applies to you. We do not address microprocessors as such. We consider them as replaceable or repairable components of the larger device. We also do not discuss peripheral devices used for system control and configuration operations. The following discussion covers only those man/machine interface devices considered as components or assemblies of the particular type of computer. With all types of computers, consult the appropriate documentation for your system to ensure proper operation. This last statement cannot be over emphasized.

### Microcomputers

The man/machine interfaces used with the microcomputers you maintain will be system oriented. Let's take a look at the options available to you for microcomputers.

**CONFIGURE THE PROCESSOR.**—Microcomputer systems are designed to be flexible in

their configuration. You can easily modify most desktop systems to incorporate additional disk units (hard or floppy), expanded memory, other components, as well as specific operator requirements. The ROM-based firmware that the system uses for booting the operating system as well as other system software must be configured for the current system interconnection scheme.

Three methods are commonly used to inform the processor of the system configuration. They are DIP switches, jumpers, and battery protected storage of configuration data.

**DIP Switches.**—Dual-inline package (DIP) switches are made to be installed into integrated circuit sockets or board connections. Each switch in the package (fig. 8-18) normally indicates one of two conditions by its ON/OFF status. The board mounted DIP switches are designed so you can manually position them during component installation, removal, or initial system configuration to inform the processor of the availability of the particular components as well as the requirements of the system operators. They affect such operations as video display (color and resolution) and port(s) selections. Individual switches or combinations of two or three switches are used to specify a variety of configuration options.

**Jumpers.** —In some units, jumpers are used to make additional configuration changes. Jumpers (fig. 8-19) can be likened to dual-inline package (DIP)

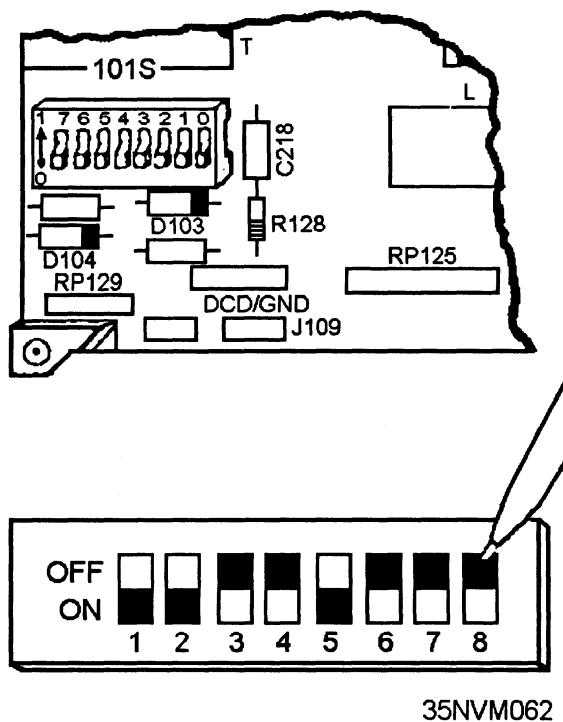


Figure 8-18.—DIP switches.

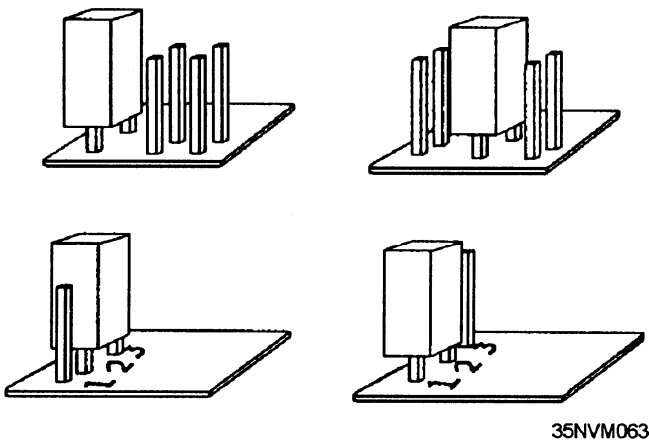


Figure 8-19.—Jumper connections.

switches except that you must physically remove and reinsert them. A jumper connector is designed for easy removal and reinsertion. They are permanent unless a configuration change is required. The jumper connector consists of a receptacle and plug arrangement. The receptacle is normally mounted permanently on the pcb's and/or backplane/motherboard inside the micro's chassis. A plug (with or without a cable) makes the appropriate connection. It disables, enables, selects, and expands. Jumpers define the configuration of each pcb, which will eventually affect operations. Some of the functions affected include mode of operation (fast or normal), clock speed, wait states, and I/O connections. Like DIP switches, jumpers are designed so you can manually position them during component installation, removal, or initial system configuration to inform the processor of the availability of the particular components, as well as the requirements of the system operators. Individual jumpers or combinations of two or three jumpers are used to specify a variety of configuration options.

**Battery Protected Storage.**— Many newer microcomputers have a hardware setup/configuration program stored as firmware. It has the capability to display system configuration data on the display screen and to update system configuration data via the keyboard. The configuration data is stored in a random access memory (RAM) protected by a rechargeable battery so the data is retained for long time periods when the micro itself is powered down. The battery is located on the backplane/motherboard.

**Configuration Options.**— Both DIP switches and battery protected storage provide the same basic

configuration data to the micro. System setup/configuration options include the following:

- Date/time data (battery protected storage only)
- Base and expansion memory size
- Floppy disk drive identifiers (A, B, C or 0, 1, 2)
- Storage capabilities (number of Kbytes of storage per drive)
- Hard drive data
- Boot drive identifier
- Type of video display
- Video refresh time period

**APPLY POWER.**— Power is applied to the microcomputer with a simple ON/OFF switch usually mounted on the back of the desktop computer chassis (fig. 8-20). A separate monitor requires its own power switch. Portable micros usually have fixed time period rechargeable batteries (6, 8, or 12 hours) with a normal ac power option. Presence of system power is indicated by single indicator lamps on the front of the chassis and the monitor mounting. Sometimes in the same area as the ON/OFF switch, a selectable switch (fig. 8-20) called a **voltage or line select switch** allows the microcomputer to operate on voltages in the range of 100 to 130 volts or 200 to 230 volts.

**USE CONTROLS, DATA ENTRY, AND DATA DISPLAY.**— Micros, either portable or desktop

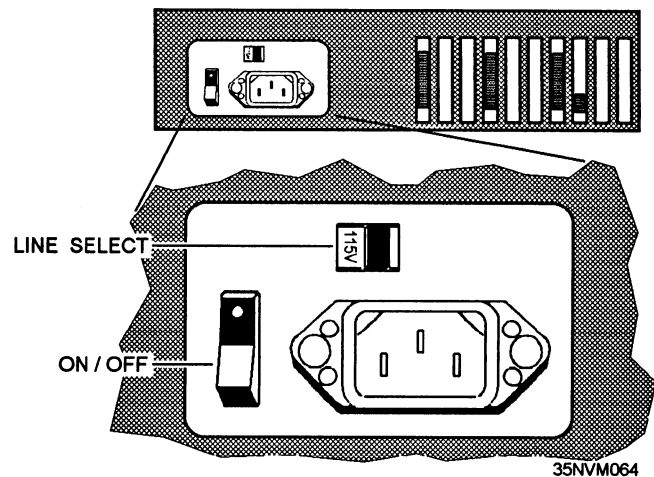


Figure 8-20.—Desktop computer back panel.

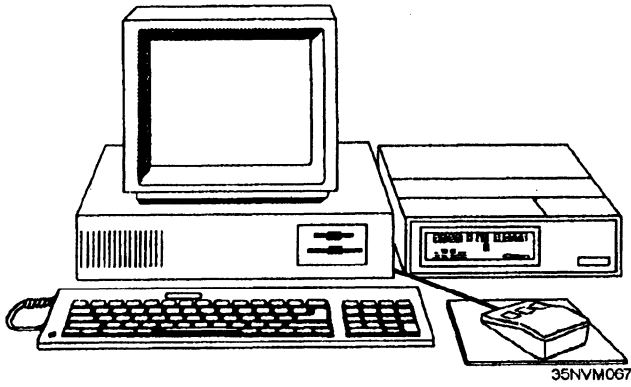


Figure 8-21.—A typical microcomputer with data entry and display devices.

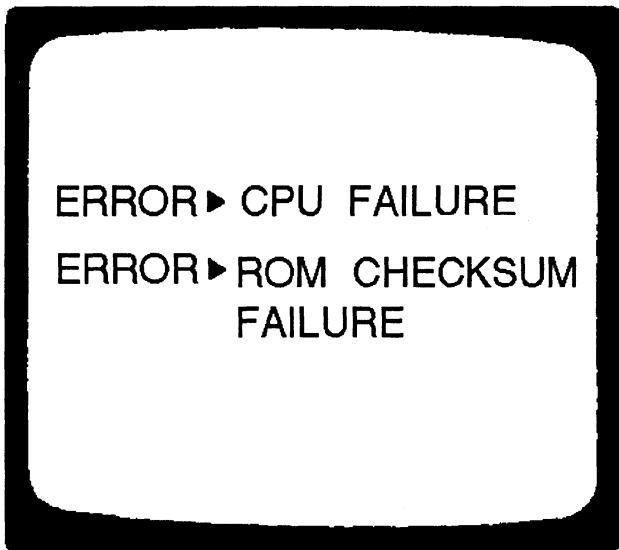
(fig. 8-21), combine both maintenance and operational functions in the same data entry and display devices. Virtually all operator/technician commands are passed from the keyboard to the microprocessor. With the exception of a few simple indicator lamps, virtually all data is displayed on the monitor or display screen. Together the keyboard and monitor allow you to run software programs, perform tests, and view results. The keyboard and monitor on a microcomputer limit you to only data entry and display functions; there are no controls for power, cooling, or battle short conditions. With microcomputers, you can also use a mouse with the keyboard to interface with the computer.

**EXECUTE INTERNAL DIAGNOSTICS.**— As part of the power on sequence, microcomputers usually

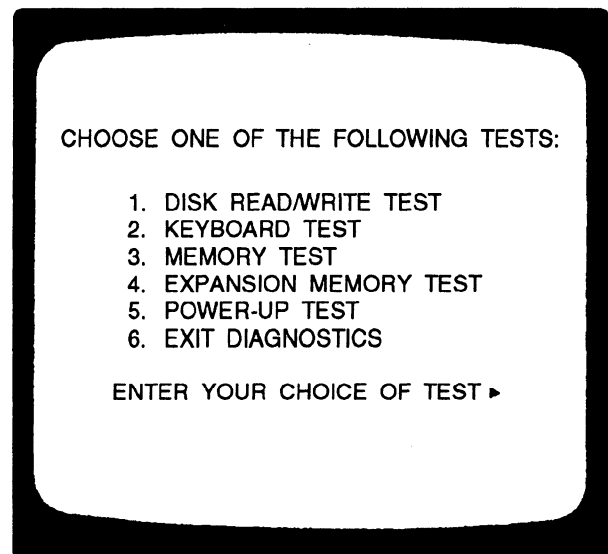
run a series of internal diagnostic programs. These are stored as firmware and take several seconds when the computer is turned ON. If everything is correct, the disk operating system (DOS) will load and the appropriate DOS displays will display. If there is a computer failure of any test, the computer tries to display an **error message** (fig. 8-22) on the display/monitor screen. Error messages identify the likely cause of the problem and possible solutions. Follow the recommended solutions closely and document the error message. If no error message is displayed or if the recommended solution does not fix the problem, more troubleshooting will be required. Most manuals will have a section that provides a detailed troubleshooting guide. The troubleshooting guide includes diagnostics that can be run from user selected tests available from the boot ROM program or disk based diagnostics.

Many micros are equipped with a more comprehensive set of internal diagnostics called **ROM-based diagnostics**, stored as firmware. These can be selected and executed using a special firmware controlled display. Some of these diagnostics are executed as part of the power on sequence, while others can only be executed from the display screen menu.

These diagnostics do not require any program loading. They are resident within the computer and accessible through a **menu driven display** (fig. 8-23). This enables you to select the desired diagnostic procedure and observe test status and error indications.



35NVM069  
Figure 8-22.—Example of an error message information.



35NVM071  
Figure 8-23.—Example of a menu driven display.



The ROM-based diagnostics menu provides you access to the following types of tests, again depending on the type of computer and the system configuration: disk read, keyboard, base memory, expansion memory, printer, and power on.

Additional board mounted diagnostic light-emitting diode (LED) indicators (fig. 8-24) are normally provided on the computer backplane and I/O logic circuit modules. This simplifies the diagnostic software and aids in fault isolation and identification. The LEDs on the backplane/motherboard for power remain on as long as the microcomputer is on. The LEDs on the I/O pcb extinguish as each test is successfully completed, except the READY LED. It will extinguish after an operating system is read from disk.

The features of ROM-based diagnostics of micros differ based on manufacturer and system configuration. They are normally designed to provide at least 90%

resolution on detected faults to a single large scale integration (LSI) circuit or supporting integrated circuits. RAM and ROM errors are usually identifiable to the specific IC chip. The ROM-based diagnostics are designed to verify and fault isolate enough of the computer's logic to allow for loading and executing more comprehensive diagnostic programs stored on disk (floppy or hard disks).

**EXECUTE BOOTSTRAP.**— Micros are normally designed to **boot** or initially load the disk operating system (DOS) program from either the installed floppy or hard disk assemblies, based on the system configuration. The operating system program provides for operator control of the loading and executing of application programs used within the microcomputer system.

There are two ways to boot a micro. Firmware stored in PROM or ROM will automatically reference the configured disk for the operating system program as part of the power on sequence. Turn the micro ON and it automatically looks for the operating system program on the configured disk. If it finds it, the operating system automatically loads. If it does not find it, you will need to ensure the disks are setup correctly and depress a combination of keys to cause the system to boot.

**INITIATE OPERATIONAL PROGRAMS.**— For microcomputers, once the microcomputer has been booted, how the computer is configured will dictate how to initiate the operational program, the software, to be used.

**EXECUTE AUTO RESTART OPERATIONS.**— There is also a particular combination of keyboard keys (such as Ctrl, Alt, and Del) that will cause the operating system program to reboot and restart. This can be used in the event of a software failure. You can also reboot by turning the computer OFF and then ON.

**EXECUTE DIAGNOSTICS.**— You can load and execute **disk based diagnostics** using DOS command structures or a diagnostic monitor program. To execute these, you usually load the programs by a different power-up and boot sequence. The diagnostic monitor program displays a **test selection menu** similar to the internal diagnostic menu. Because these diagnostics are more comprehensive than the ROM-based diagnostics, you will be given more information on the menu than you are with the ROM driven display. The test selection menu provides for **diagnostic selection, test status, and error indications.** The selection, test

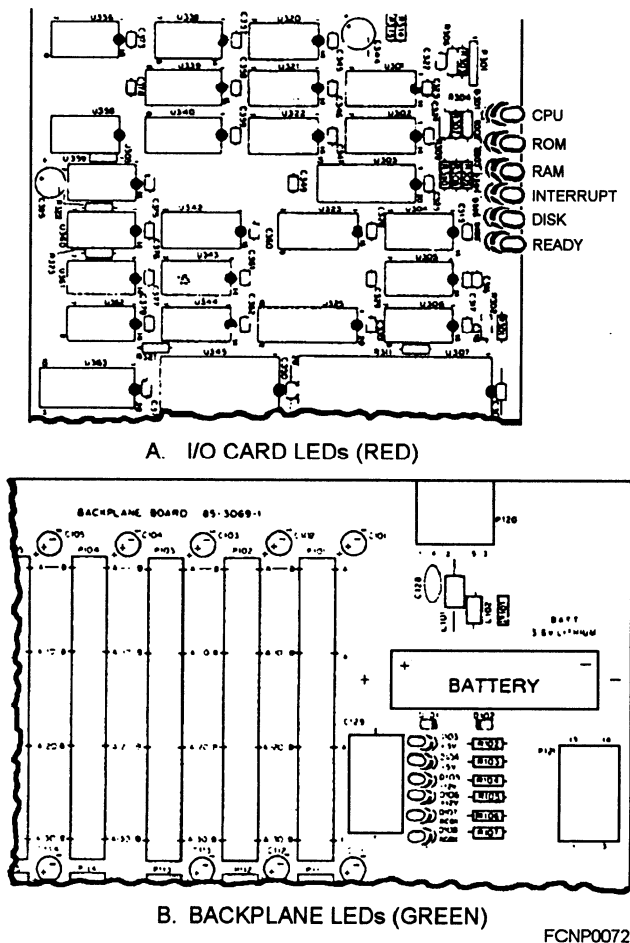


Figure 8-24.—Examples of LED indicators.

status, and error indications are displayed on the microcomputer's monitor (fig. 8-25).

**PATCH OR REVISE SOFTWARE.**— While microcomputers have the same basic capabilities as larger computers, they are not designed to allow for the manual insertion and revision of machine code. At this time, revisions to operating system, application, or diagnostic software are provided by the system or software manufacturer or designer.

### Minicomputers

The man/machine interfaces of the minicomputers you will maintain are more machine oriented and less system oriented.

**CONFIGURE THE COMPUTER SYSTEM.**— Minicomputers are primarily factory

configured. There are a number of options you can incorporate by simply changing a module in the installed computer. As far as the computer itself, ensure that the controls and switches are set up properly for the intended operations. DIP switches and jumpers are also used in some minicomputers to meet the required interconnection scheme for the current system. In addition, make sure any peripherals or other equipments are configured correctly to ensure correct operation.

**APPLY POWER.**— Applying power to militarized minicomputers is somewhat more complicated than with commercially available micros. There can be a number of switches to power up the computer (fig. 8-26). Usually there is a remote panel that supplies power. Then at the unit itself there maybe a number of switches. Some use a circuit breaker that must be on before any of the other power switches will operate. Once the circuit breaker has been turned on,

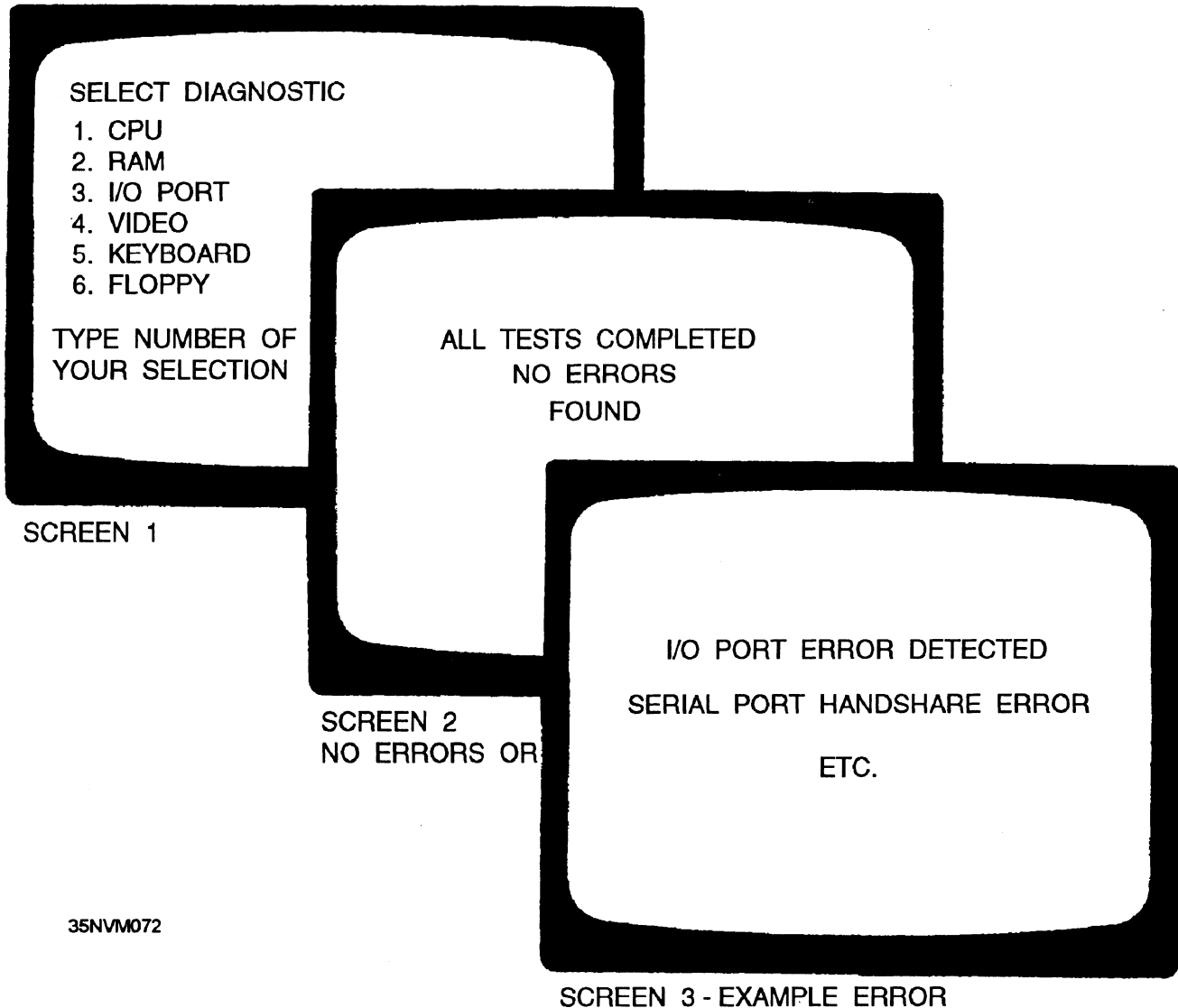


Figure 8-25.—Examples of diagnostic selection, test status, and error indication displays.

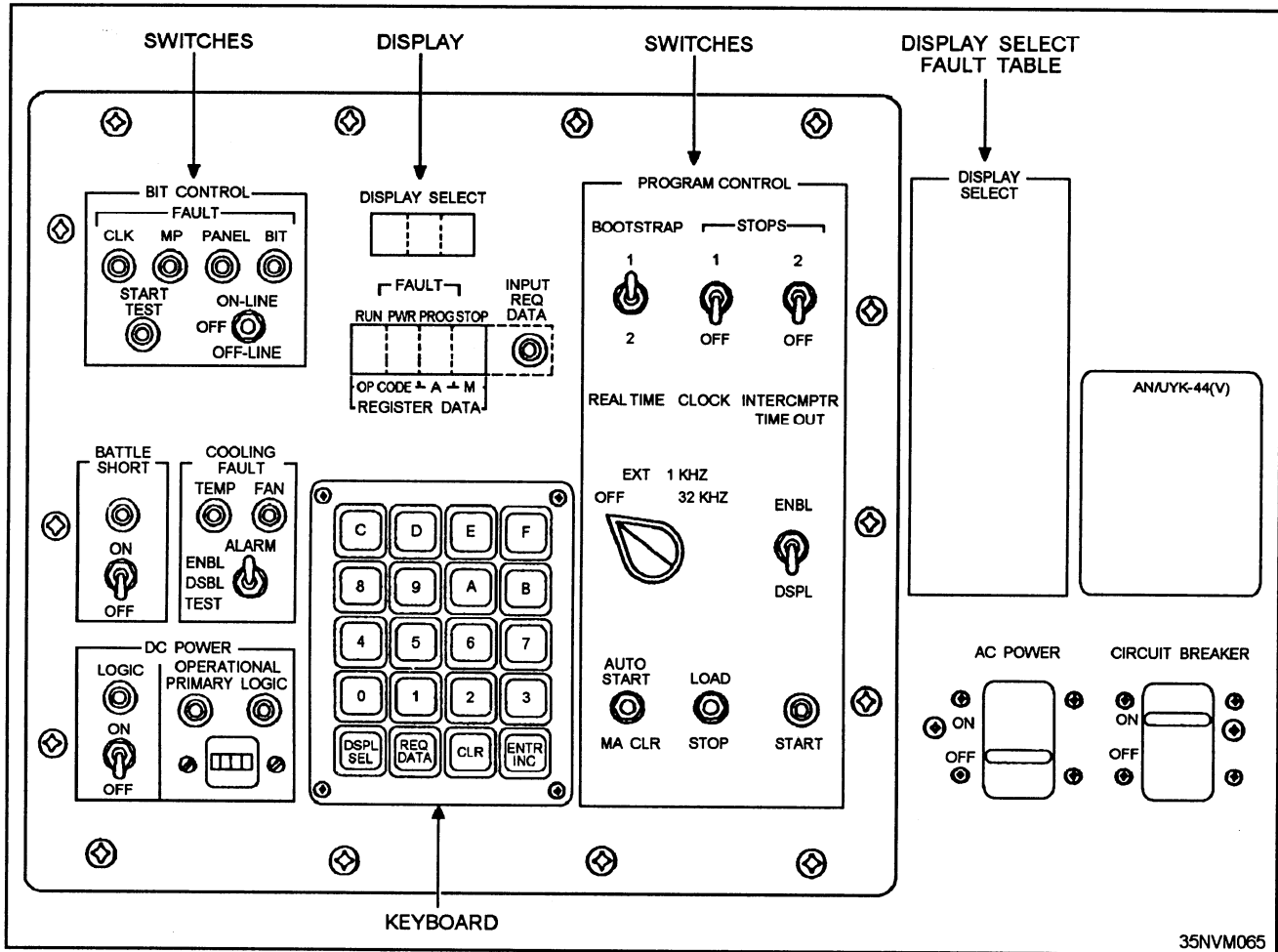


Figure 8-26.—Power up switches located on a maintenance control panel.

an ac power switch is activated to apply ac power to the computer. The circuit breaker will kick OFF in the event the computer power supplies draw excessive current.

The ac switch allows ac voltage to be fed to the blower fans and dc power supply. Indicators, usually one for PRIMARY and one for LOGIC, show the presence of stable dc power when illuminated. Some minicomputers will have a 4-digit time meter to record the accumulated hours that logic power has been applied.

Some minicomputers are equipped with a battle short switch to allow the computer to run even when the temperature exceeds the normal allowable operating temperature established by the manufacturer. An audible alarm and/or indicators can also be used to indicate excessive temperature.

**USE CONTROLS, DATA ENTRY, AND DATA DISPLAY.**— The controls, data entry, and displays used on minicomputers vary. Some minicomputers

have two panels, others one panel. When two are used, one panel is used for control and the other for maintenance. When one panel is used, the control and maintenance functions are located on the same panel. Refer again to figure 8-26. The panels on some minicomputers can be likened to the keyboard of a microcomputer; they deal primarily with the operating system and software programs. But with some minicomputers, you have more options. They include controls and indicators that deal with power and temperature. These two conditions were included in the apply power man/machine interface.

In addition to a number of control switches and indicator lamps, some minicomputers use a keyboard for data entry and numeric displays to show the contents of registers or display status. This is also illustrated in figure 8-26.

**EXECUTE INTERNAL DIAGNOSTICS.**— Internal diagnostics are built-in tests (BITs). Firmware and testing features are designed into the logic modules

## FAULT ISOLATION TABLE (FIT)

REGISTER DATA Display	Module Locations	REGISTER DATA Display	Module Locations	REGISTER DATA Display	Module Locations
E103 E400	J12 J1 A42 A6	E802	J1 A6 A42	F600	A42 A48 A42 A48
		E803	J1		

35NVM070

Figure 8-27.—Example portion of a fault isolation table.

or an NDRO that can be executed at any time by the technician or operator. The BIT is designed to test the computer hardware (CPU, IOCs, and any optional circuits) and return pass/fail results to the operator/technician. Pass/fail results are displayed on the control, data entry, and data display man/machine interface. The BIT itself can consist of several levels of tests and subtests controlled from the computer's front panel. Some internal diagnostics are designed to test all or selected sections of the computer. Errors can be displayed on the front panel using the data display man/machine interface. The computer's technical manuals or a ready reference index located on the front panel will enable you to decipher the error code. A fault isolation table (FIT) lists the error code and the location of the recommended module(s) that will correct the problem. Figure 8-27 shows an example. On the pcb's in some minicomputers, LEDs are also used to aid in fault isolation and identification.

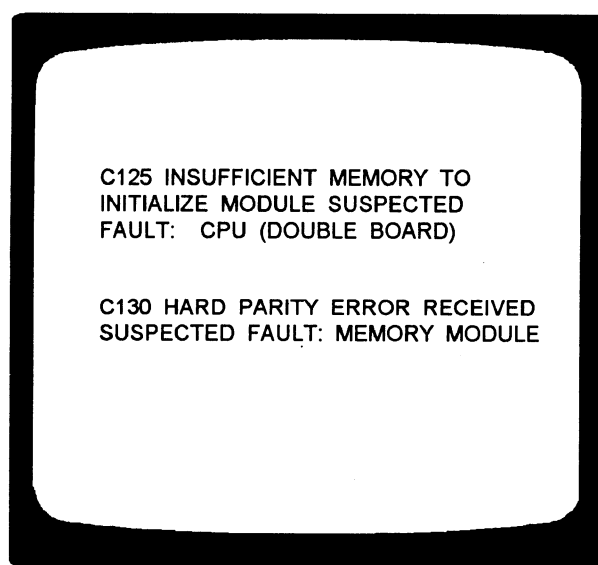
**EXECUTE BOOTSTRAP.**— Minicomputers are normally designed to boot or initially load the operating system program using a hardwired module (NDRO) located in the CPU. The NDRO is tailored at the factory and will select a particular peripheral device (disk, tape, and so forth) based on the position of the bootstrap switch located on the computer's controlling panel. Figure 8-26 shows a maintenance control panel with a bootstrap switch with two positions (1 or 2). The bootstrap program allows a more comprehensive program to be loaded from the selected peripheral into main memory and be executed. NDROs are also designed to perform a BIT, fault analysis program, or load a failure analysis program. To execute bootstrap, depress the run or load switch.

**INITIATE OPERATIONAL PROGRAMS.**— After the computer is booted, the operational program

is loaded, initialized, and started. The operational program is tailored to meet the command's operational requirements or application.

**EXECUTE AUTO RESTART OPERATIONS.**— Auto restart operations are used when power is restored after a power loss.

**EXECUTE DIAGNOSTICS.**— Execution of external diagnostics can be loaded into the computer and controlled using an external control device. They can also be loaded into the computer from a peripheral (disk or magnetic tape unit) but initiated and controlled by the computer. These diagnostics are very thorough and also offer the option of testing all or specific sections of a computer. They are more comprehensive than the BITs. Figure 8-28 shows the test results of an external diagnostic test as they could be displayed on a controlling monitor.



ETF0095

Figure 8-28.—Examples of test results from an external

**PATCH OR REVISE SOFTWARE.—**

Minicomputers have the option to allow you to manually insert and make revisions to machine code or insert revisions using external peripheral devices. Patches or revisions to the software are written by authorized personnel only. The patches or revisions are entered using inspect and change routines or equivalents using the controls, data entry, and data display man/machine interface.

**Mainframes**

The mainframe computers used for tactical and tactical support data systems use a number of units and panels to control computer operations. Their controlling devices offer more options to perform the man/machine interface but their functions are the same.

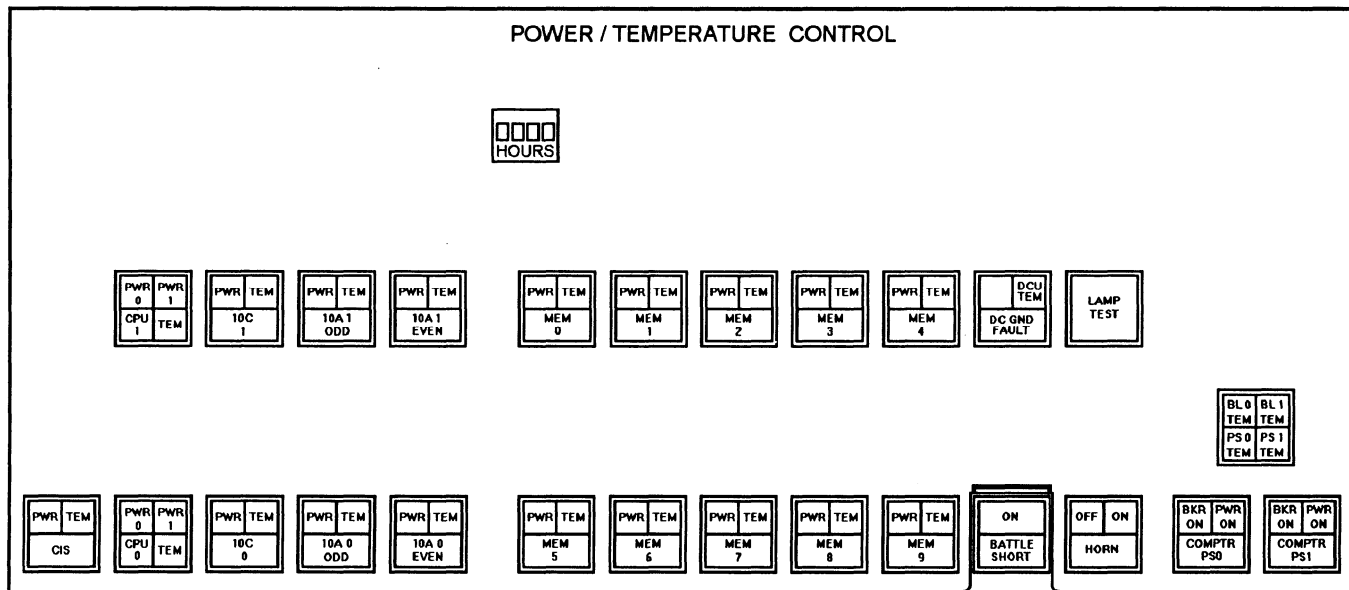
**CONFIGURE THE COMPUTER SYSTEM.—** Mainframes are generally designed to work in large systems. In addition to a number of peripherals, they also work with major subsystems (display and communications). The software is designed to manage the computer and its resources based on the amount of hardware. Most large mainframe computer systems use two or more computers. This gives the system the capability to run in the event one of the computers goes down with hardware problems. Therefore, it is very important that you understand and know how to configure the system for full and reduced configurations. You accomplish this by knowing the capabilities and limitations of the software based on the quantity of hardware for your system and by ensuring all controls and switches on the computer(s),

switchboard panels, and display and communication subsystems are correctly set.

**APPLY POWER.—** Applying power to mainframes also requires more than just turning on the ON/OFF switch. First, you must ensure there is power to the remote panel. Then at the unit itself, usually a circuit breaker must be applied, then blower and logic power. Indicators are usually provided for blower and logic to show there is stable power. Power to a mainframe is critical and you must ensure there is a stable power source. In addition to the circuit breaker protection, interrupts are generated if there are abnormal power fluctuations in which case the computer will shut itself down. Mainframes also use a 4-digit time meter to record the accumulated hours that logic power has been applied, except when there is a time meter for each module unit. Some mainframes have a separate power controlling device devoted entirely for power. It is usually on the front of the unit. Figure 8-29 is an example of a panel of such a device. It also monitors the temperature of the computer set.

Mainframes are also equipped with a **battle short switch** (also indicated on figure 8-29) and an audible alarm to allow the computer to run even when the temperature exceeds the normal allowable operating temperature established by the manufacturer and to indicate excessive temperature in the modules.

**USE CONTROLS, DATA ENTRY, AND DATA DISPLAY.—** Mainframes will use operator, maintenance panels, and/or display control consoles/units located near the unit. For our example,



35NVM066

Figure 8-29.—Example of the panel of a power controlling device.

we show a display control unit (DCU) in figure 8-30. Remote units are also available to provide initial startup just like the operator and display control units. Control, data entry, and data display man/machine interfaces of mainframes are your primary means of operating and maintaining a mainframe computer. You can control all operations from this man/machine interface. Newer mainframes, in addition to controls, switches, and pushbutton indicators, use displays and keyboards to display status and to address the contents of registers.

**EXECUTE INTERNAL DIAGNOSTICS.**— On mainframes, internal diagnostics are also available using built-in tests (BITs) or tests available on an

NDRO. They are designed to test the computer hardware (CPU, IOCs, and any optional circuits) and return pass/fail results to the operator. Pass/fail results are displayed on the control, data entry, and data display man/machine interface shown on figure 8-30. Similar to minicomputers, the BIT itself can consist of several levels of tests and subtests controlled from the computer's front panel. Some internal diagnostics are designed to test all or selected sections of the computer. Errors can be displayed on the front panel using the data display man/machine interface. The computer's technical manuals will enable you to decipher the error

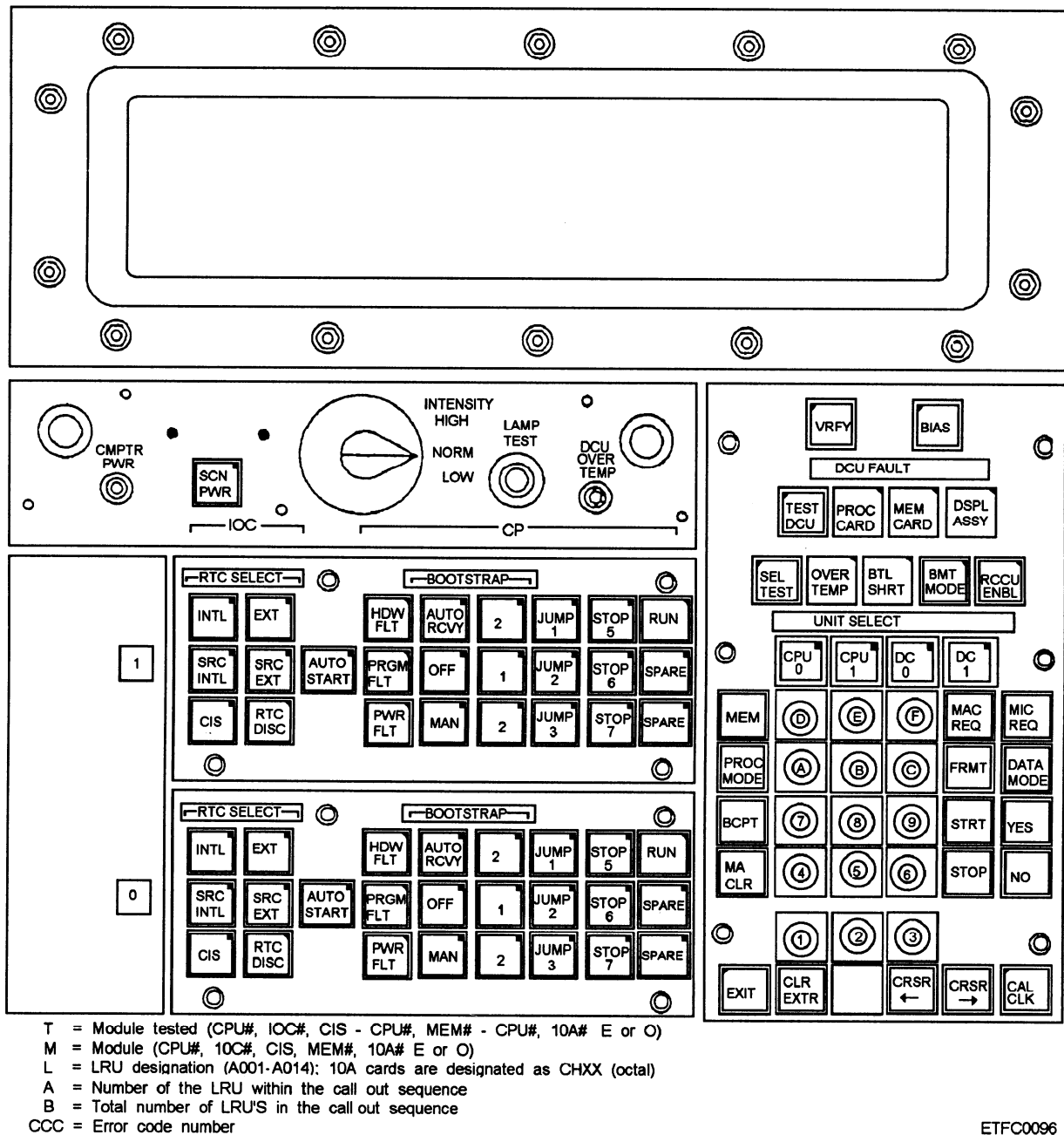


Figure 8-30.—Example of a display control unit.



index (DCI) with error stop and recommended corrective measures: Replace pcbs in locations 4C28-4C30.

**PATCH OR REVISE SOFTWARE.**— Mainframes also have the option to allow you to manually insert and make revisions of machine code or insert revisions using external peripheral devices. Patches or revisions to the software are written by authorized personnel only. The patches or revisions are entered using inspect and change routines or equivalents using the controls, data entry, and data display man/machine interface.

### **SUMMARY—COMPUTER INSTRUCTIONS AND MAN/MACHINE INTERFACES**

In this chapter we introduced you to computer instructions and to ways you can interface with a computer. The following information summarizes important points you should have learned:

**COMPUTER INSTRUCTIONS.**— Computer instructions are commands to the computer to tell the equipment to perform a designated operation. The instructions are processed by the central processing unit.

**PROGRAMS.**— Programs are sequences of instructions written for various purposes to solve problems or types of problems on a computer, to manage the computer's own resources and operations, and/or to maintain computers.

**LEVELS OF INSTRUCTIONS.**— Instructions may be either microinstruction or macroinstructions (a predetermined set of microinstruction).

**INSTRUCTION TYPES.**— Instructions may be classified by what they do, their operation. They may

also be classified by their action on an operand-read, store, or replace.

**INSTRUCTION SIZES.**— Instruction sizes vary depending on the instruction and the computer.

**INSTRUCTION FORMATS.**— Every instruction has an operation (op) code to tell the computer what to do. It may also have an operand to give the address of the data to be operated on or to give other fields or designators.

**INTERFACING WITH COMPUTERS.**— The man/machine interfaces enable operators/technicians to control the computer's operation. These include control panels and operator panels/conssoles.

**MAN/MACHINE OPERATING MODES.**— Computers can be operated in a variety of modes. This is very helpful when you are troubleshooting. Run mode continually executes instructions one after another. Stop mode causes the computer to stop; it will not restart until directed by some operator action. Step mode enables you to have the computer execute one instruction at a time so you can test the contents of computer registers and memory locations to verify correct operation or identify a problem.

**MAN/MACHINE INTERFACE OPERATIONS.**— Many operations can be accomplished by providing information to the computer through an interface.

**MAN/MACHINE INTERFACE FUNCTIONS.**— Many general functions can be performed through an interface.

It is up to you to learn all you can about how the computer systems you work with process instructions and what capabilities are available to you through man/machine interfaces. This will enable you to interpret computer instructions and interface with the computer to diagnose and isolate problems.



## MAGNETIC TAPE STORAGE

### INTRODUCTION

Computers use three types of storage devices to store and access data. These are main memory storage, secondary memory storage, and tertiary storage. Main memory is the memory in the computer itself. It can be semiconductor RAM, magnetic core memory, or thin film memory. Secondary memory storage is memory used to store data that is not immediately required by the computer. The most common secondary memory is some type of magnetic disk. Tertiary memory storage is used to store large amounts of data that are not required by the computer on a regular basis. Magnetic tape can be used as secondary storage, but it is generally used as a tertiary storage media.

**After completing this chapter you will be able to:**

- **Describe the physical properties of magnetic tape**
- **Describe the proper procedures for handling, storing, and packaging magnetic tape**
- **Describe magnetic tape failures due to normal wear and tear, accidental damage, environmental damage, and winding errors**
- **Describe the function and operation of the magnetic tape read, write, and erase heads**
- **Describe the different methods of encoding data on magnetic tape**
- **State the purpose of the major functional areas of a magnetic tape unit**
- **Describe the operations performed by a magnetic tape unit**
- **Describe the operation of a magnetic tape transport**

Magnetic tape units may be categorized by the form of media they are designed to use: open-reel, cartridge, and cassette. The standard tape units use open reels. Cartridge or cassette units use cartridge tapes and cassette tapes, respectively.

The units most commonly used in the Navy are industry standard open-reel tape units and cartridge tape units.

---

#### TOPIC 1—MAGNETIC TAPE

Magnetic tape is one form of magnetic storage media. It consists of a thin film of magnetic oxide material bonded to a polyester-based strip. Magnetic tape offers several useful features:

- Magnetic tape can be used to store large amounts of data in a variety of convenient package sizes (reels, cartridges, or cassettes)
- Magnetic tapes are easily interchangeable between similar units of different systems

- Magnetic tape is less prone to damage than other forms of magnetic storage media

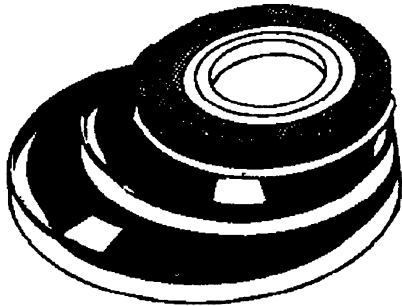
## PHYSICAL PROPERTIES OF MAGNETIC TAPE

Magnetic tape comes in a variety of widths and lengths. It may be contained in one of three categories of storage media: industry standard open reels, cartridges, or cassettes. Figure 9-1 shows the different categories of magnetic tape media.

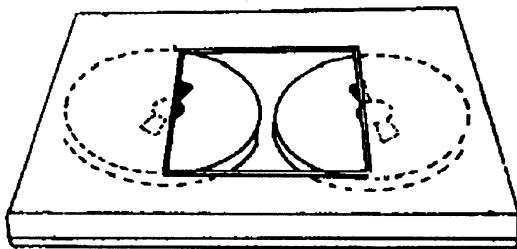
### MAGNETIC TAPE CONSTRUCTION

Three basic materials are used to make magnetic tape. They are:

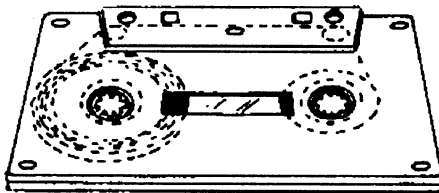
- The base material
- A coating of magnetic oxide particles



OPEN REEL



CARTRIDGE



CASSETTE

38NVM020

Figure 9-1.—Magnetic tape reels, cartridges, and cassettes.

- A glue that binds the oxide particles to the base material

Figure 9-2 illustrates the basic construction of a magnetic tape.

### Base Material

The base material for magnetic tape is made of either plastic or metal. Plastic tape is more common because it is very flexible, resists mildew and fungus, and is very stable at high temperatures and humidity.

### Oxide Coating

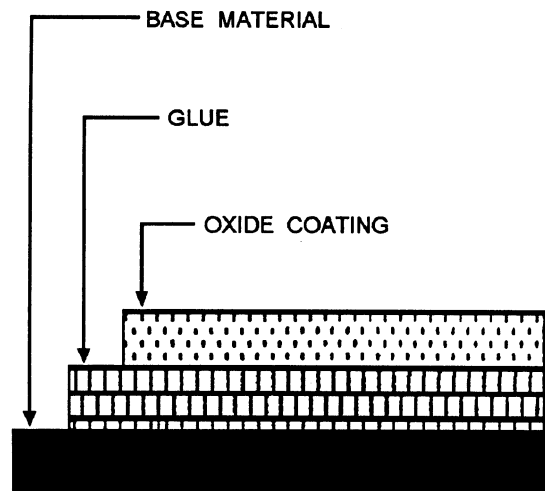
Oxide particles that can be easily magnetized (ferrous) are coated onto the base material. The most common oxide materials are gamma ferric oxide and chromium dioxide. It is very important that the oxide particles are uniform in size and shape. If they are not, the tape's surface will be abrasive and might damage the tape unit's head.

### Glue

The glue used to bond the oxide to the base is usually an organic resin. It must be strong enough to hold the oxide in place, yet flexible enough not to peel or crack.

### MAGNETIC TAPE HANDLING PROCEDURES

Magnetic tape handling procedures include the storage, handling, maintenance, and control of tapes.



ETFC0099

Figure 9-2.—Magnetic tape construction.

## Tape Storage and Handling

To extend and enhance the reliability and performance of magnetic tape reels, cartridges, cassettes, and their respective units, you should adhere to the following rules:

- Store tape reels, cartridges, and cassettes in dustproof containers whenever they are not in use.
- When the reel, cartridge, or cassette is mounted on or in the unit, keep its storage container closed and free from exposure to dust and dirt. Periodically inspect containers for dust and dirt contamination.
- Store reels, cartridges, and cassettes in an electromagnetic shielded cabinet elevated from the floor and free of contaminants. See figure 9-3 for an example.
- Do not use the top of equipment as a working area. Placing reels, cartridges, or cassettes on the top of electronic equipment may expose them to excessive heat, electromagnetic radiation, or contaminants from unit blowers.
- Use adhesive stickers that can be removed without leaving a residue to identify the contents of reels, cartridges, and cassettes.
- Do not erase labels on adhesive stickers with a rubber eraser; the particles from the eraser may come in contact with the tape.

Magnetic tape is sensitive to environmental changes in temperature and humidity. To prevent problems caused by changes in environment, do:

- Store reels, cartridges, and cassettes in the room where they are used; storing tapes near the unit reduces

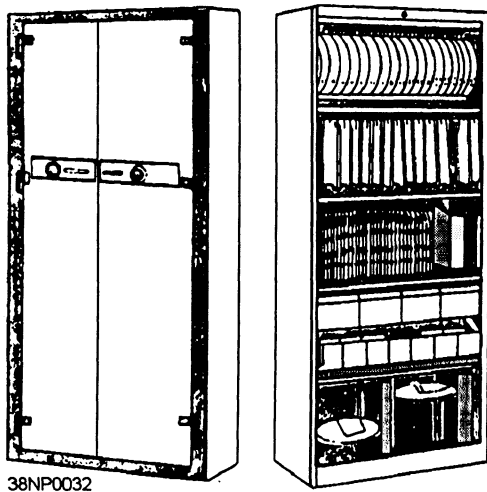


Figure 9-3.—A magnetic media storage container.

handling and the effects of variations in environmental conditions.

- Maintain constant temperature and humidity ranges (65° to 85° Fahrenheit or 18° to 32° Centigrade with 40 to 60 percent humidity).
- Condition new tapes, or tapes from other systems, to your computer room by keeping them in your computer room for a 24-hour period before use; also condition tapes removed from your computer room upon their return, and before their reuse.

Human handling of magnetic tapes can itself cause tape and unit problems. Magnetic recording surfaces are delicate and sensitive to dust, airborne contaminants, and the oils, acids, and other contaminants contained on human skin. **DO NOT** handle the metallic oxide surface of magnetic recording media, in particular the usable recording surface between beginning-of-tape (BOT) marker and end-of-tape (EOT) marker.

The contaminants contained on human skin are harmful to both the oxide coating of magnetic tape and the precision mechanics of the unit using the tape. All surfaces of the unit should be cleaned thoroughly following handling. In addition, clean magnetic tape units periodically, as specified in the unit's technical manual and/or Planned Maintenance System (PMS) Maintenance Index Pages (MIPs) and Maintenance Requirement Cards (MRCs).

## Tape Maintenance

Magnetic tapes, particularly tapes on open reels, require several maintenance actions. These maintenance actions are cleaning, certifying, degaussing, stripping, and splicing.

**CLEANING.**—**DO not clean magnetic tape by hand.** A special machine is used to clean tape. The **tape cleaner** performs two functions:

- It shaves the oxide side of the tape with a series of razors to remove any loose oxide and embedded particles
- It then wipes down both sides of the tape with a cleaning solution to remove any remaining oxide particles or contaminants

Tape cleaners do not alter the flux patterns stored on a tape; however, cleaning tapes on which information is stored is **not recommended**. Tape cleaners will reduce the static charge buildup on

open-reel tapes and will help eliminate **tape cling**. All tapes should be cleaned and certified annually.

**CERTIFICATION.**— Tape certification requires the use of a tape certifier machine. A **tape certifier** performs digital and analog evaluations of a tape against a calibrated standard. The objective of the certifier is to exercise the tape far in excess of the operational requirements of its tape unit.

The tape certifier checks the ability of the tape to record high-density data, to retain magnetic flux patterns, and to be demagnetized. The certifier performs tape cleaner functions before testing the tape. It also leaves the tape completely erased after testing. Tapes that are certified error free to a particular density will, in all probability give months of error-free performance. Tapes that cannot be certified should be destroyed.

**DEGAUSSING.**— A **degaussing machine** is in effect a big tape eraser. The machine applies an ac-induced electromagnetic field of varying strengths to the tape. The field completely nullifies all the magnetic flux patterns stored on the tape.

Degaussing provides for a complete erasure of all information stored on a tape. It maybe used to remove classified data from tape as specified in the *ADP Security Manual*, DOD 5200.28-M, sections VII and VIII.

**STRIPPING.**— Magnetic tape tends to show the greatest wear on the portions of the tape immediately following the BOT marker. Seldom is an entire tape reel used to store data; only a third of the tape or less is used for storing data in most applications.

Excessively worn or damaged areas of tape maybe stripped (cut away) from the reel, and a new BOT marker installed on the tape. Stripping is a useful tool for those installations that do not have tape cleaners or certifiers available.

**NOTE:** Do not strip open reels down to less than 500 feet of tape, since the remaining usable storage area is limited. Standard reels containing less than 500 feet of tape should be discarded.

**SPLICING.**— Taping together two broken ends of tape to make one tape is called **splicing**. Splicing is **not recommended** for the following reasons:

- Tape splices are generally the weakest point on the tape and could separate during operation

- Read and write operations may not perform properly in the area of a splice; tape splices may appear as bad spots on tape

- Splicing a broken tape usually does not save the data stored on the tape

Open-reel tapes that break may be stripped to the break and have a new BOT marker installed. This way the remaining tape on the reel maybe used effectively. Discard cartridges or cassettes that have tape breaks.

## Tape Control

Of major importance to you as a technician is the amount of attention paid to the control of magnetic tapes. Nothing is more embarrassing or potentially destructive than the loss of the last copy of a maintenance program, operational program, or data file. The least problem such a loss could cause would be the time lost in regenerating or acquiring a new copy of the program or data. The worst problem that could result would be the degradation of a major tactical system or capability when needed the most.

Tape control can be divided into the following areas:

- Tape inventory
- Program master/working copies
- Identifying and correcting problems with tapes

**TAPE INVENTORY.**— Each tape, cartridge, or cassette used in a system must be accounted for by number and have its contents identified by a label. A tape label should contain the system location, program or data designation, unit used to generate the tape, security classification, and date the tape was written. For tapes containing more than one program, a complete listing of all programs, data files, and so forth, should be included in the label.

A written inventory should be maintained indicating programs or data stored on each tape and the security classification of the tape. Tapes containing classified information retain their security classification until properly degaussed or the tape is destroyed.

**PROGRAM MASTER/WORKING COPIES.**— Tapes, cartridges, and cassettes generally enter a computer system in one of three states:

- New (blank and certified)
- Used (cleaned, blanked, and certified)

- Master tape (operational program, maintenance program, or data file)

Blank tapes, cartridges, or cassettes, and those tapes with data that may be written over are referred to as **scratch tapes**. Those tapes that contain programs or data that is to be saved and protected are known as **master tapes**. You must ensure that master tapes being mounted on or in a unit are protected against a write operation.

The write protection sensors of the tape unit check the mounted tape for a ring, switch, or tab to determine if the contents of the tape are to be protected from a write operation. The write protection circuitry prevents the computer from inadvertently writing over write-protected programs or data.

To prevent the inadvertent destruction of a master tape through operator error or equipment malfunction, you should copy master tapes of programs onto **working copies**. Two working copies should be maintained for each master program in current use.

**Only use the master tape to generate new working copies.** The working copies can then be used for repeated operations, such as program loading, that will eventually wear down the recording surface of the tape. Use of a master tape as a working copy increases the potential of damage to the tape and loss of data or programs beyond recovery. Upon receipt of new master tapes, the old master tape copies should not be destroyed until the new master tape has proved reliable.

**IDENTIFYING AND CORRECTING PROBLEMS WITH MAGNETIC TAPES.—** Magnetic tapes used in a system tend to develop a variety of problems. These problems fall into three basic categories:

- Data loss
- Compatibility problems
- Winding errors

**Data Loss.—** Data written on magnetic tape maybe lost for a variety of reasons. Tapes that are broken, wrinkled, stretched, or are worn, with the oxide flaking off, will not retain data. Excessive heat or cold, or the shock to a tape that is dropped can affect the stored data by rearranging the magnetic flux patterns. Data maybe lost or misread because of accumulations of magnetic oxide particles built up on tape transport read/write heads and mechanics.

When you encounter magnetic tape read or write errors, follow these simple steps:

- Remove the tape from the unit and clean the transport
- If errors persist, attempt to load/write the tape on a different transport
- If the tape is a working copy, make a new working copy by recopying the master to anew tape
- If the tape has visible damage, or if errors follow the tape to different transports, submit the tape for stripping or cleaning/certifying

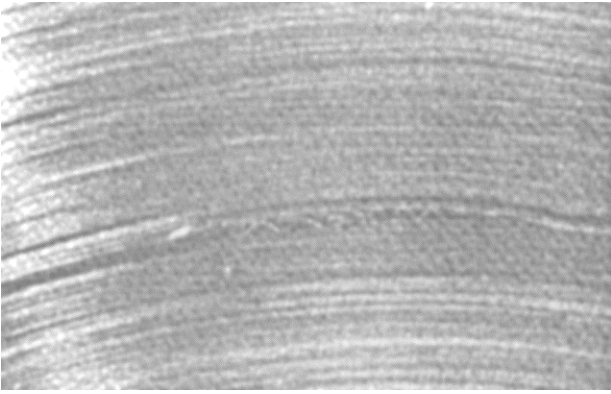
**Compatibility Problems.—** Tapes that can be read from one transport and not from another of the same system indicate a problem in the alignment of the system's tape transports. In other words, the transports are incompatible. All tape transports of the same type in a system, or out of any other system, should be compatible. **Compatible** means that all tapes written on a transport can be read without errors by all other transports of the same type and that a transport can read, without errors, all tapes written by other transports of the same type.

Align tape transports to the mechanical and electrical specifications of the manufacturer to ensure compatibility within system transports and the same type transports in other systems.

**Winding Errors.—** Winding errors are another cause of tape failure. They happen when improper winding practices create excessive or uneven force as the tape is being wound onto a tape reel. The form taken by the tape after it is wound onto a reel is called the **tape pack**. Winding errors can cause a deformed tape pack that will prevent good head-to-tape contact.

In most cases, a deformed tape pack can be corrected simply by rewinding it onto another reel at the proper tension and the right temperature and humidity. The four most common winding errors are cinching, pack slip, spoking, and windowing.

● **Cinching—** Cinching happens when a tape reel is stopped too quickly. The sudden stop causes the outer layers of tape to keep spinning after the inner layers have



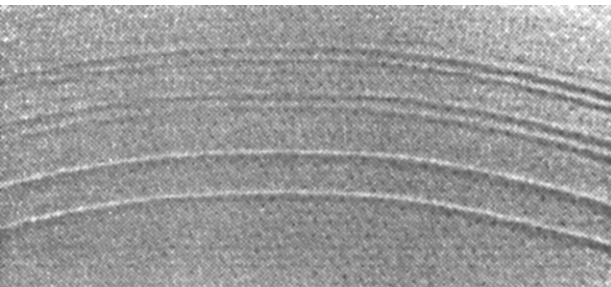
**Figure 9-4.—A cinched tape pack.**

stopped. Figure 9-4 shows an example of a cinched tape pack (note the complete foldover of one tape strand).

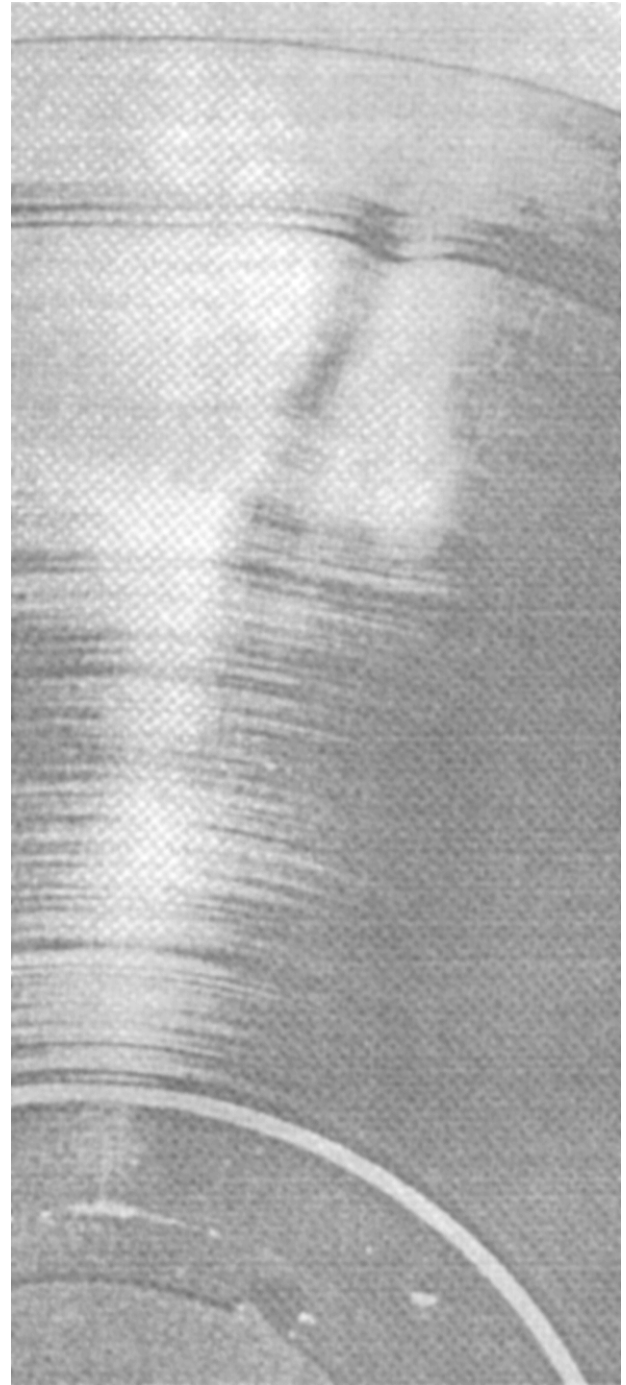
- **Pack slip**— Pack slip occurs when the tape is loosely wound on the reel and exposed to excessive vibration or heat. This causes the tape to shift (side-to-side), causing **steps** in the tape pack. When a tape reel with pack slip is used, the magnetic tape will unwind unevenly and rub against the sides of the tape reel of the tape unit's tape guides. This can damage the tape and cause oxide shedding on the edges of the tape. Figure 9-5 shows an example of pack slip.

- **Spoking**— Spoking occurs when a magnetic tape is wound onto the tape reel with the tension increasing toward the end of the winding. The higher tension on the outside of the tape pack causes the inner pack to buckle and deform. Spoking is also caused by the uneven pressures created when the tape is wound on a distorted hub, or when the tape is wound over a small particle deposited in the reel. Figure 9-6 shows a spoked tape pack.

- **Windowing**— Windows are voids or see-through air gaps in the tape windings. They happen when the magnetic tape is loosely wound onto a tape



**Figure 9-5.—A tape with pack slip.**

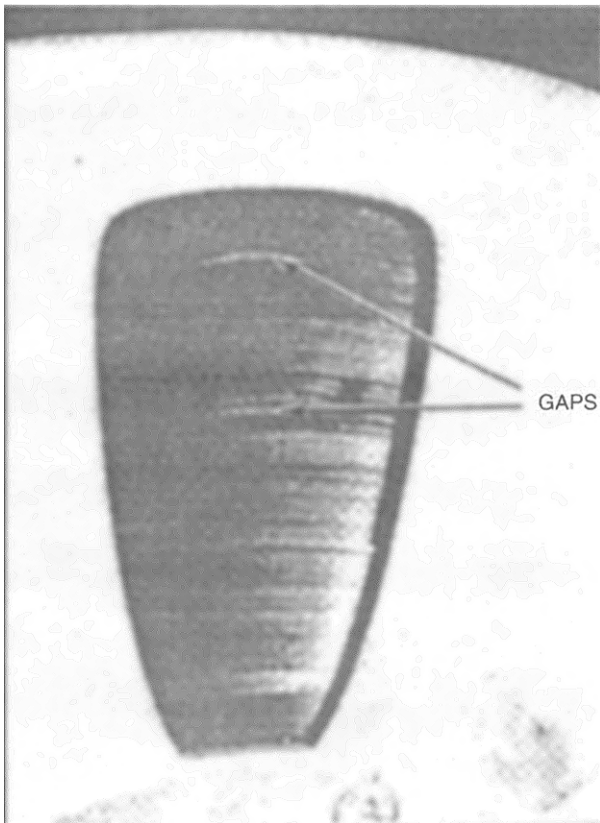


**Figure 9-6.—A spoked tape pack.**

reel, and especially when the loosely wound reel is later exposed to extreme heat or humidity. Figure 9-7 shows a windowed tape pack.

## DATA STORAGE ON MAGNETIC TAPE

Storage of data using magnetic tape units is based on the following principles:



**Figure 9-7.—A windowed tape pack.**

- Current flow in a conductor can be generated by a change in the magnetic lines of force that cut through a conductor
- Changing the current flow in a conductor creates a change in the magnetic lines of force radiating from the conductor

In other words, you can create current flow by rotating (moving) a conductor in a magnetic (or electromagnetic) field or by changing the distance between a conductor and the source of magnetic flux (field lines).

These principles allow for the creation of a magnetized spot (flux pattern) on a magnetic material (magnetic oxide surface). The magnetized spot is created by the magnetic field surrounding a current-carrying conductor in the immediate proximity to the material. Moving the magnetized spot rapidly by a conductor will generate current flow in the conductor. Thus data may be written on the surface of a magnetic material as it moves under a current-carrying conductor (write head); data may be sensed from the magnetized surface as it passes under a conductor (read head) and generates current.

## Recording Methods

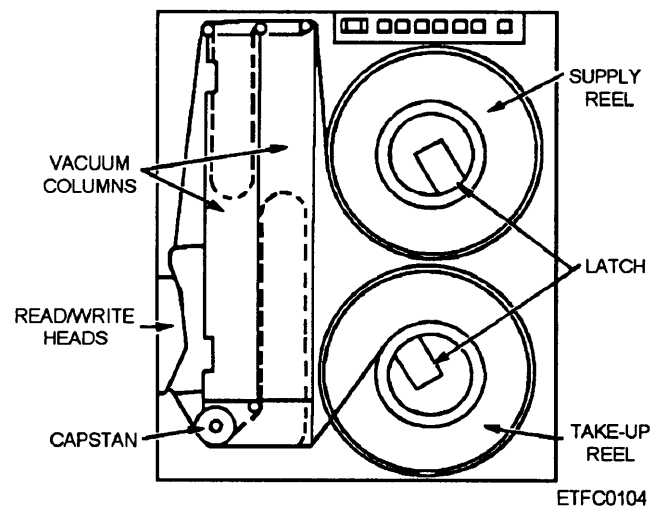
The direction of the magnetic flux patterns written on the magnetic oxide surface maybe used to represent **binary** values. In other words, a flux pattern magnetized in one direction might indicate a binary ZERO, while a pattern magnetized in the opposite direction would indicate a binary ONE. This method of recording data is known as the **return-to-zero (RZ)** recording technique.

Another recording method changes the direction of the flux pattern when a binary ONE is to be stored. When data is read from the magnetic oxide surface, a change influx pattern direction indicates a binary ONE, while no change indicates a binary ZERO. This method of recording data is known as **non-return-to-zero (NRZ)**. NRZ is more commonly used than RZ because it lends itself to higher bit densities on the recording surface.

A third recording method found in many newer devices is known as **phase encoding (PE)**. This method uses very narrow spikes of current to write extremely small flux patterns on the magnetic oxide surface. Very accurate timing pulses are required to read PE data spikes from the magnetic oxide surface. The PE recording method provides the highest data density of any recording method commonly in use.

## Writing/Reading Magnetic Tape

The purpose of any magnetic tape unit is to write data on and read data from the tape used by the device. Tape is moved from a supply reel or hub to a take-up reel or hub on the magnetic tape transport section of the unit as shown in figure 9-8. The magnetic oxide coated side of the tape passes in close proximity of a read/write



**Figure 9-8.—A magnetic tape transport**

head or group of read/write heads. The moving tape can then have data written upon it as is shown in figure 9-9. Data may be read from tapes having information stored on them.

Each individual write head can store data one bit at a time along an invisible line on the tape called a **track**. The number of bits written per inch of track (bpi) is one of the factors used to determine the **density** of data on the tape. An industry standard 0.5-inch tape may have seven or nine tracks of data stored on it.

### Data Organization and Timing

The read/write heads of magnetic tape devices are usually designed to write and read data concurrently across the width of the tape. This grouping of bits is known as a **frame**. On multitrack tapes, density is determined by the number of frames per inch (fpi) instead of bpi for a single track. Common densities for multitrack tapes range from 200 to 1,600 fpi. Most magnetic tape devices are capable of writing and reading several different fpi densities.

A frame of data on a seven-track tape consists of six data bits, and a check (parity) bit. A nine-track frame has eight data bits, and a parity bit.

Frames are determined by the a shift of the magnetic field in any bit position within the frame. With the proper combination of parity checking (odd parity) and data, at least a single binary ONE is stored in each frame. Using the NRZ recording method, every frame contains at least a single binary ONE. The presence of a ONE, when detected by any read head, will indicate the presence of a frame. This recording method is known as **non-return-to-zero indiscrete (NRZI)**.

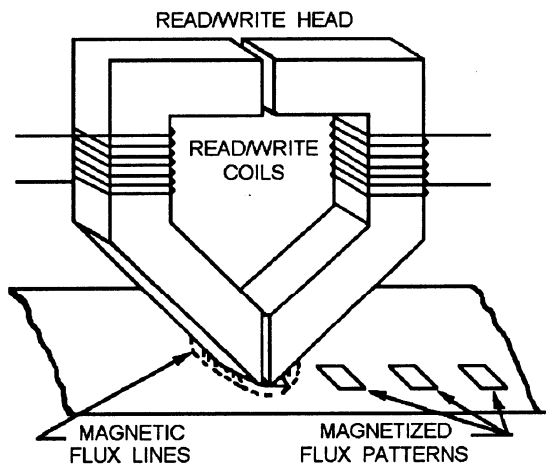


Figure 9-9.—Writing data on magnetic tape.

### Magnetic Tape Markings

Magnetic tapes have many common features and data recording formats. Each tape is marked, in some manner, at **beginning of tape (BOT)** and at **end of tape**

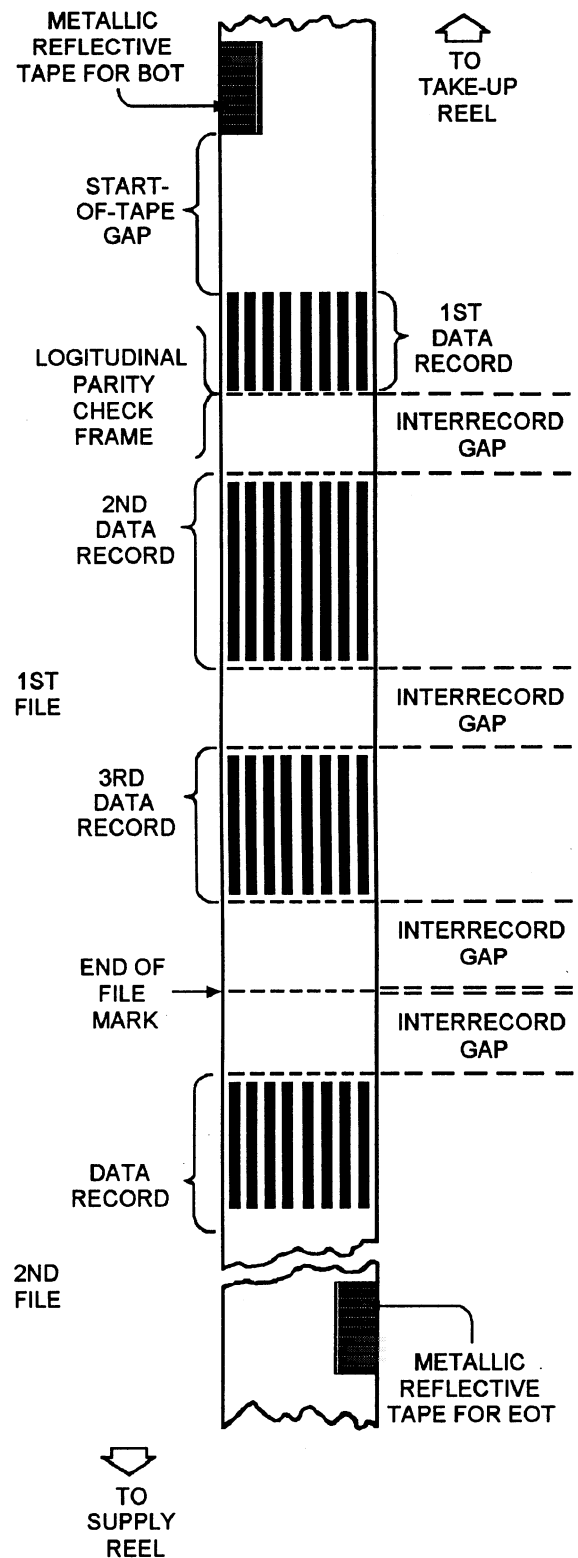


Figure 9-10.—A magnetic tape layout



(EOT). The length of tape between BOT and EOT is referred to as the **usable recording surface** or usable storage area.

BOT/EOT markers are usually short strips of reflective tape, as shown in figure 9-10. BOT is the common starting point used in a system when writing or searching for data on tape. Holes punched in the tape or clear plastic inserts are used as markers in some units. BOT/EOT markers are sensed by an arrangement of lamps and photodiode sensors as shown in figure 9-11.

### Data Records on Tape

One factor all magnetic tapes have in common is that the tape must be moving at a predetermined speed for data to be written on, or read from, the tape. In other words, data cannot be written or read while the tape is starting to move, stopping movement, or stopped.

This **start/stop** effect creates a blank spot on tape until the tape is up **to speed** and can be written on. In addition, these blank spots, or **gaps**, are used to separate blocks of data or **records** on tape. Gaps separating records are known as **interrecord gaps**. Refer to figure 9-10.

A record is nothing more than a group of contiguous frames. The number of frames needed to store the desired data determines the size of the record. The size of a record may vary from a few frames to the entire length of the usable recording surface. Record length is a function of **software** (computer programs), not of the magnetic tape device.

### Data Files on Tape

Most magnetic tape devices provide for the identification of **files** of data. Such identification provides greater flexibility in the handling and

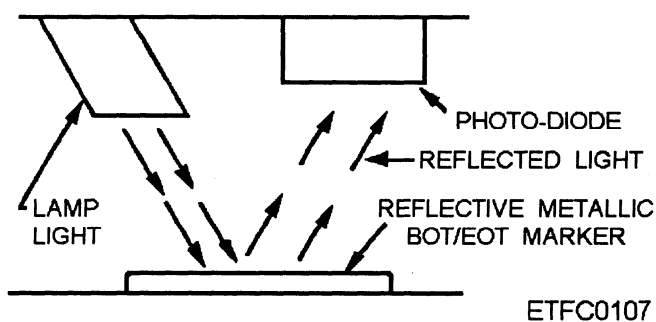


Figure 9-11.—A BOT/EOT sensor.

processing of large amounts of data. A data file is nothing more than a group of records. Frames makeup records, records make up files. Files are separated by special identifying frames known as **file marks**, **end-of-file marks**, or **tape marks**.

File marks are located at the end of each data file on the tape. The first file starts after the start-of-tape gap, as shown in figure 9-10. Notice the organization of records and interrecord gaps within the file. The second file starts after the first file mark. Following files will each end in a file mark

### Parity Checks

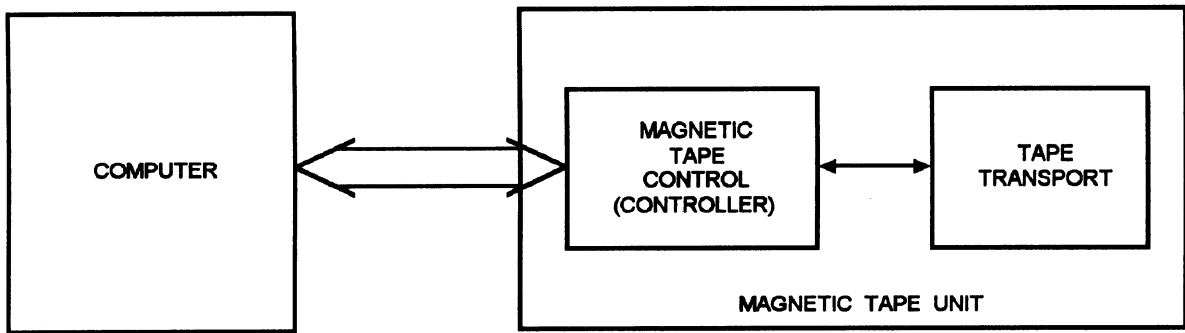
What are known as **lateral parity** and/or **longitudinal parity** are common methods of ensuring the accuracy of data recorded on tape. Lateral parity checks use each frame's **parity bit**. Longitudinal parity checks use a special frame located at the end of each record.

The two types of parity formats are **odd parity** and **even parity**. Each of the data bits in a frame is written as a ONE or a ZERO. Parity checks count the number of binary ONES in the frame and store a ONE or ZERO in the parity check bit to keep the total number of ONES in the frame **odd** or **even**.

As an example of odd parity, the six data bits to be written as a frame (seven-track) consist of 010 011. Three ONES are in this frame. The total number of ONES in the frame is already odd, so the parity bit will be written as a ZERO. If the number of ONES in the data bits were even (01 1 110), then the parity bit would be written as a ONE to maintain odd parity. Odd parity is commonly used with NRZI recording to distinguish frames while reading. Since every frame will have at least a single binary ONE, a flux change sensed on any track indicates a frame.

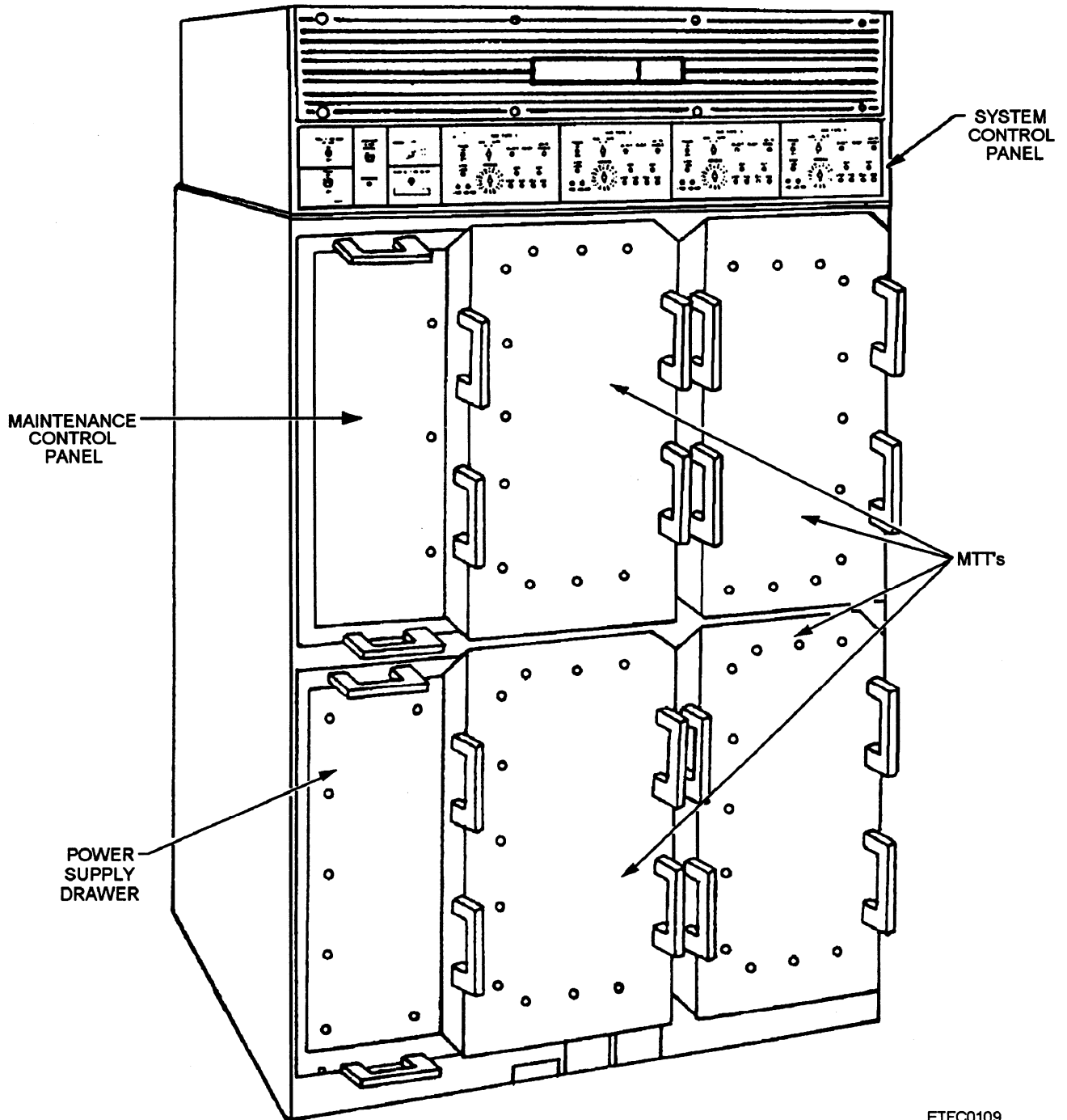
As the frame is read from tape, the ONES in the data bits read are summed; the result is compared with the parity bit read. If the parity bit written on tape matches the comparison bit, then the frame is assumed to contain the correct data. If the comparison bit does not match the parity bit written on tape, then a **parity error** has occurred.

Lateral parity checks are designed to locate the loss or addition of one bit of data in a frame. They are one of the most common fault indications encountered by technicians working on magnetic tape devices. Parity errors can result from a variety of mechanical, electrical, and environmental problems.



ETFC0108

Figure 9-12.—A magnetic tape storage device functional block diagram.



ETFC0109

Figure 9-13.—A magnetic tape unit.

In addition to lateral parity, many units use a longitudinal parity check. A special **check frame** is written after the last data frame of each record. This frame, as shown in figure 9-10, contains the parity bits for the sum of all the ONES written in each track. In other words, each bit of the check frame is a parity bit for that track of data. Longitudinal parity checks help identify errors to the specific track or bit position on tape.

## TOPIC 2—MAGNETIC TAPE DEVICES

Magnetic tape storage devices can be divided into two functional areas, as shown in figure 9-12:

- Magnetic tape control or controller
- Tape transport

Now let's take a look at a typical magnetic tape unit and its associated tape transport. This unit is based on the RD-358(V)/UYK Magnetic Tape Unit, but is a compilation of several tape units. Specifications used may or may not be the same as the magnetic tape unit

at your command and are intended only to help you get a more detailed understanding of the electronic and electromechanical nature of magnetic tape units.

The magnetic tape unit (MTU), shown in figure 9-13, provides auxiliary (secondary) data storage for one or two computers (duplex operation). The tape unit is used primarily for operational and maintenance program loading for the combat direction system (CDS). It is also used to record real-time data extracted from the CDS, to copy maintenance and operational program tapes, and to patch or modify maintenance and operational program tapes.

This MTU can control up to four magnetic tape transports (MTTs). Standard shipboard configurations consist of two or four transport units. The MTTs use 0.5-inch, A-wound (oxide coating on the underside of the tape as it is wound on the reel), polyester-based magnetic tape wound on industry standard open reels. The MTTs are single-capstan, vacuum-column tape drives as shown in figure 9-14.

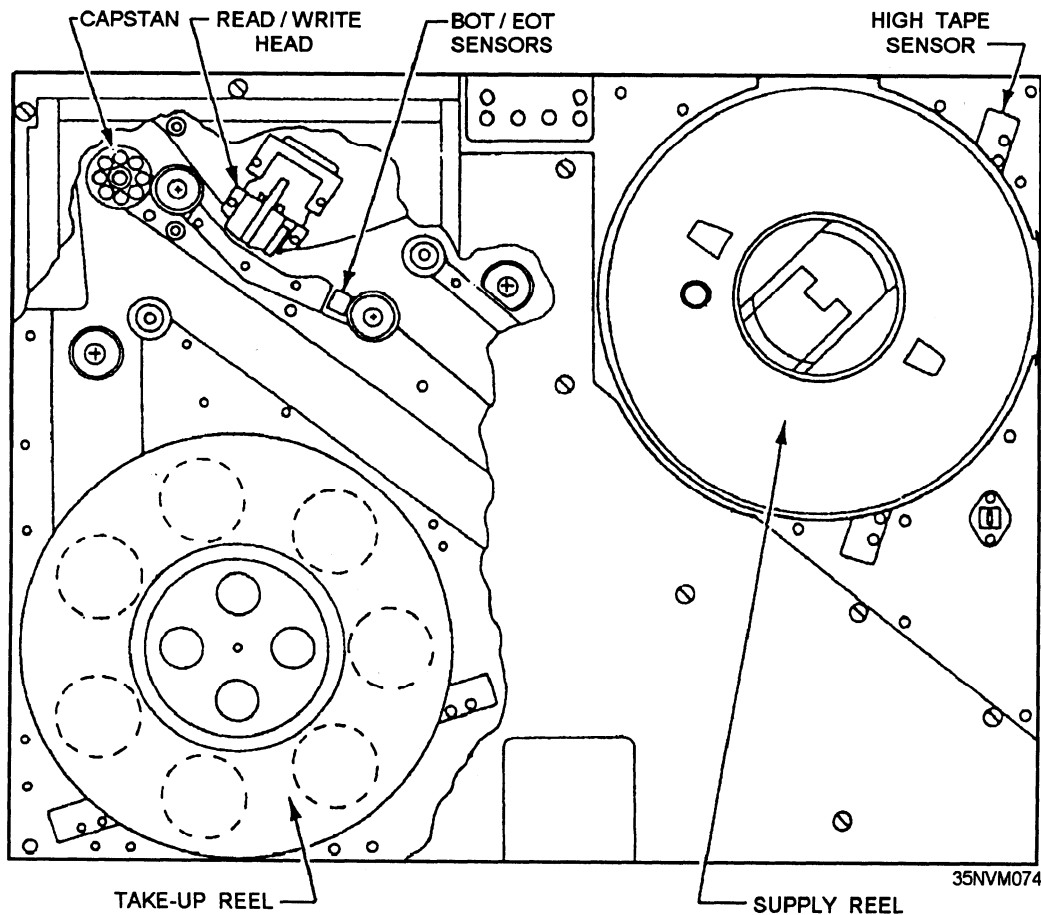


Figure 9-14.—A magnetic tape transport.

## MAGNETIC TAPE CONTROLLER

Common functions performed by the magnetic tape control section are as follows:

- Receives data and commands (external functions) from one or more central processors (computers)
- Provides timing and control signals to one or more tape transports for read, write, search, and rewind operations
- Reformats computer words received from the central processor into frame-size bytes, generates parity bits for each frame, and transmits frame data to the write heads (write operation)
- Receives frames of data from the tape transport read heads, checks for parity errors, and formats data into computer words for the central processor (read operation)
- Receives status signals from one or more tape transports and monitors tape movement
- Transmits data and unit status (status words) to the central processor

## MAGNETIC TAPE UNIT OPERATIONS

The magnetic tape unit is capable of performing several operations such as read (forward and reverse), write, and rewind. Operations can be performed online or offline.

### MTU Online Operations

Typical operations performed by the MTU while under computer control (online) include the following:

- Read
- Write
- Space file
- Rewind

**MTU READ/WRITE OPERATIONS.**— Read and write densities on most MTUs are selectable. The density selected depends on the operational mode selected, the installed options, and the number of tracks used to record and read data.

The NRZI recording format is the most common recording method used for seven- and nine-track

operations up to densities of 800 fpi. For 1600 fpi, nine-track operations, PE recording/reading is used.

**MTU READ/WRITE TAPE SPEED.**— All read operations, including search and space file, and write operations are performed at a tape speed of 120 inches per second (ips). Data may be read in the forward or reverse directions, but it may be written only in the forward direction.

**MTU WRITE PROTECTION.**— Protection of master tapes is provided by the use of a write-enabling ring and sensing circuitry in the MTTs. Only tapes with a write-enabling ring installed, as shown in figure 9-15, may be used in the write operation. Tapes without a write-enabling ring are protected from the write operation.

**MTU SEARCH.**— In the search operation, the controlling computer provides a single word code known as the **search key** to the MTU. The MTU then performs a record-by-record search of the tape on the MTT selected. The first data word of each record is compared to the search key. If they match, a **find record** condition exists; the record is then read normally and transmitted to the controlling computer. If no match is found, then the unit will continue searching records until EOT or BOT is detected.

**SPACE FILE.**— The space file operation is used to find a tape mark, which should indicate the start of a file. The selected MTT moves tape, under the direction of the MTU, until a tape mark is detected. Tape motion is then stopped with the read head over the interrecord gap following the tape mark. Tape marks are not normally found in front of the first file on the tape.

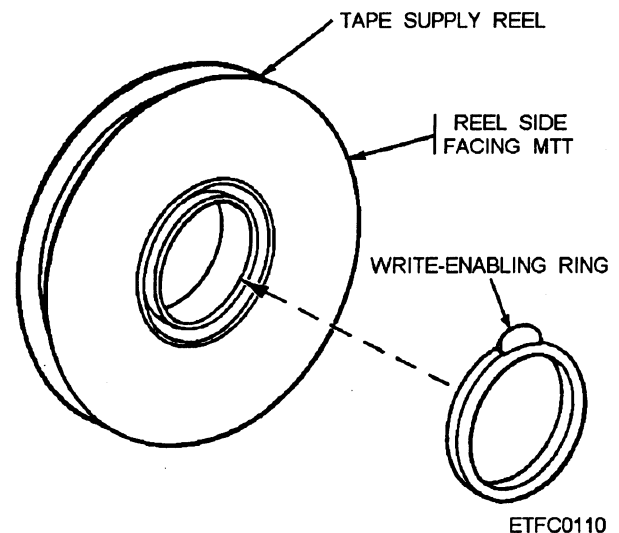


Figure 9-15.—A write-enabling ring.

**REWIND.**— The rewind operation consists of reverse tape movement at 200 ips. Tape movement is slowed to 120 ips when less than 100 feet of tape (low tape) remains on the take-up reel. Tape movement is stopped upon detection of BOT marker.

### MTU Offline Operations

You can operate the MTU offline using the maintenance panel. The maintenance panel pushbuttons can be used to generate all operational commands and the indicators monitor the results of these operations. In addition, some MTUs contain an internal microprogrammed controller (MPC) read-only memory (ROM). MTUs with an MPC ROM can be programmed by the manufacturer to perform internal diagnostic programs, offline operations, such as tape to printer, tape to card punch, and card reader to tape.

### MTU Functional Description

A typical MTU is divided into the following functional areas as shown in figure 9-16:

- Control unit (CU)
- System control panel
- Maintenance panel
- Magnetic tape transports (MTTs) 1 through 4

**CONTROL UNIT.**— The control unit contains the logic required to control the various functions of the magnetic tape unit and to perform the tasks required by the external computer(s). At the heart of the control unit is the MPC. The MPC acts as a data switch and controller for all data transfers and other operations within the tape unit. The MPC is a microcomputer with arithmetic and control capabilities.

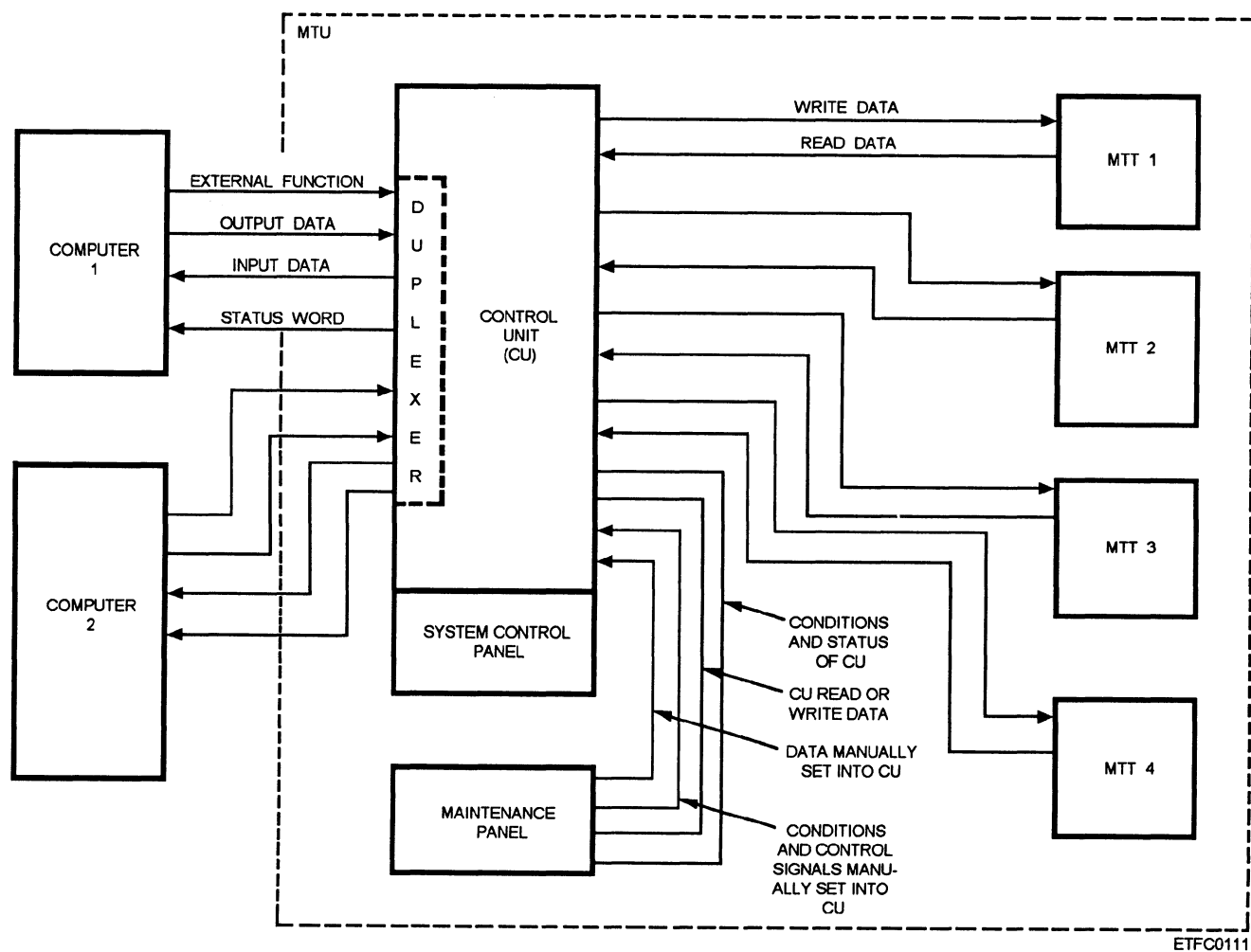


Figure 9-16.—An MTU functional block diagram.

The program for the MPC is stored in ROM. The sequence of instructions obtained from the ROM, by the MPC, determines what, when, and how events will be done in the MTU. All computation, such as parity checks or operational decoding of external function words, is performed by the MPC.

Two data buses, the source bus and the destination bus, are used for data transfer to and from the MPC. The MPC receives data via the source bus and transmits data via the destination bus. The source and destination of data are determined by ROM program instructions.

The MPC performs the following functions within the control unit:

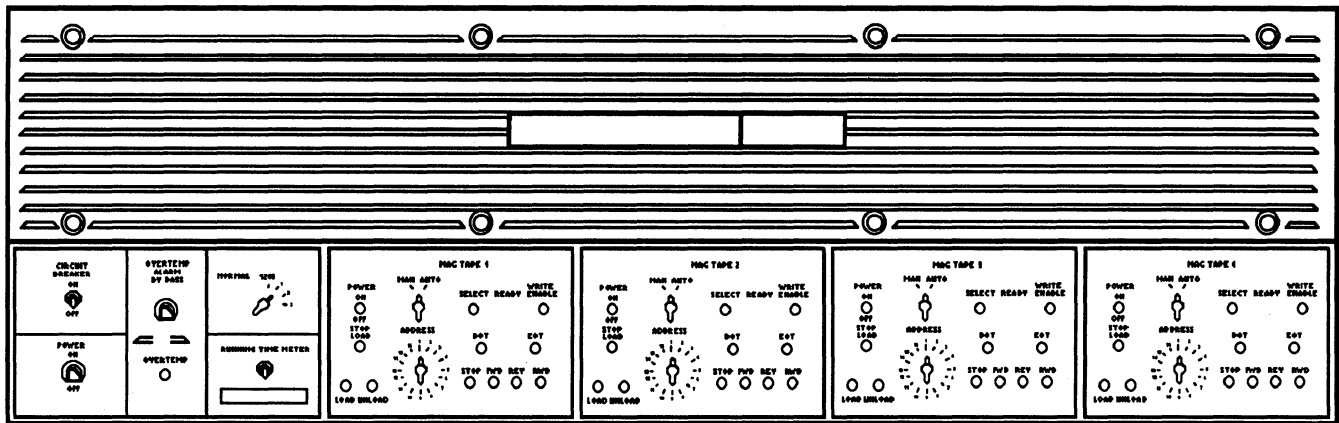
- Interprets external function commands received from the external computer(s)
- Converts computer data to tape frames as specified by external function words (write operation)
- Converts tape frames to computer data as specified by external function words (read operation)
- Forms status words for the external computer(s)
- Initiates start/stop delays
- Determines frame lateral parity bit, and checks for lateral parity errors
- Forms longitudinal parity check fumes, and checks for longitudinal parity errors

- Performs comparisons for search operations
- Checks frame count for lost frames
- Detects end of records
- Detects input (write) and output (read) timing errors
- Performs cyclic redundancy checks
- Selects MTT

The remaining elements of the control unit provide the communications links between the MPC and the external computer(s), and the MPC and the MTTs. Additional functions performed by the control unit circuitry include the following:

- Read/write signal amplification (to/from MTT read/write heads)
- Deskewing (frame alignment)
- Density selection, control, and timing
- Time delays (start/stop)
- Dual computer operation control (duplex)
- Computer electrical interface matching
- Offline channel interface and timing

**MTU SYSTEM CONTROL PANEL.**— The system control panel, as shown in figure 9-17, contains the controls and indicators for primary power and tape transport manual control. Controls and indicators for the controller include the main power circuit breaker, mode select, overtemp alarm, and overtemp alarm bypass. Controls and indicators for each tape



ETFC0112

Figure 9-17.—An MTU system control panel.

transport include the tape transport power on/off switch, address select switch, write enable switch, load tape switch, unload tape switch, ready indicator, select switch, BOT and EOT indicators, and tape movement switches.

**MAINTENANCE PANEL.**— The maintenance panel, as shown in figure 9-18, contains the controls and indicators used for manual offline operation and testing of the MTV.

**MAGNETIC TAPE TRANSPORT (MTT)**

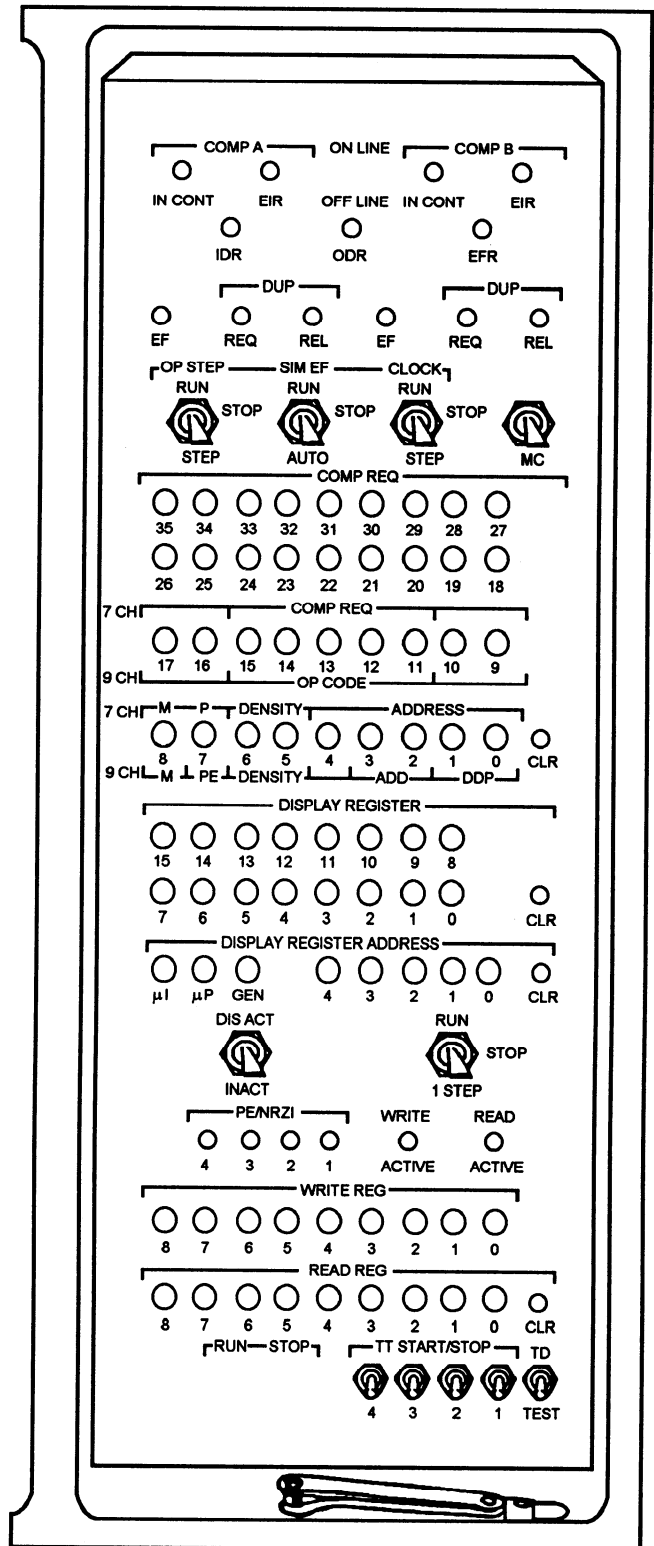
The magnetic tape transport (MTT) contains all the electromechanical components necessary for the physical handling of the magnetic tape. These components include:

- Reel and capstan drive motors
- Tape guides
- Reels and hubs
- Sensors (BOT/EOT, write protection, low tape, and so on)
- Vacuum columns
- Read/write and erase heads

The tape transport commonly performs the following functions:

- Automatic tape loading/loading
- Bidirectional movement of magnetic tape (forward, reverse, or rewind)
- Sensing of BOT/EOT markers, write-eabling rings, low tape, and soon
- Writing multitrack data on tape
- Reading multitrack data from tape
- Basic Tape Transport Operation

Movement of tape on a tape transport is dependent on the tape reels, the vacuum columns, and the capstan.



ETFC0113

Figure 9-18.—An MTU maintenance panel.

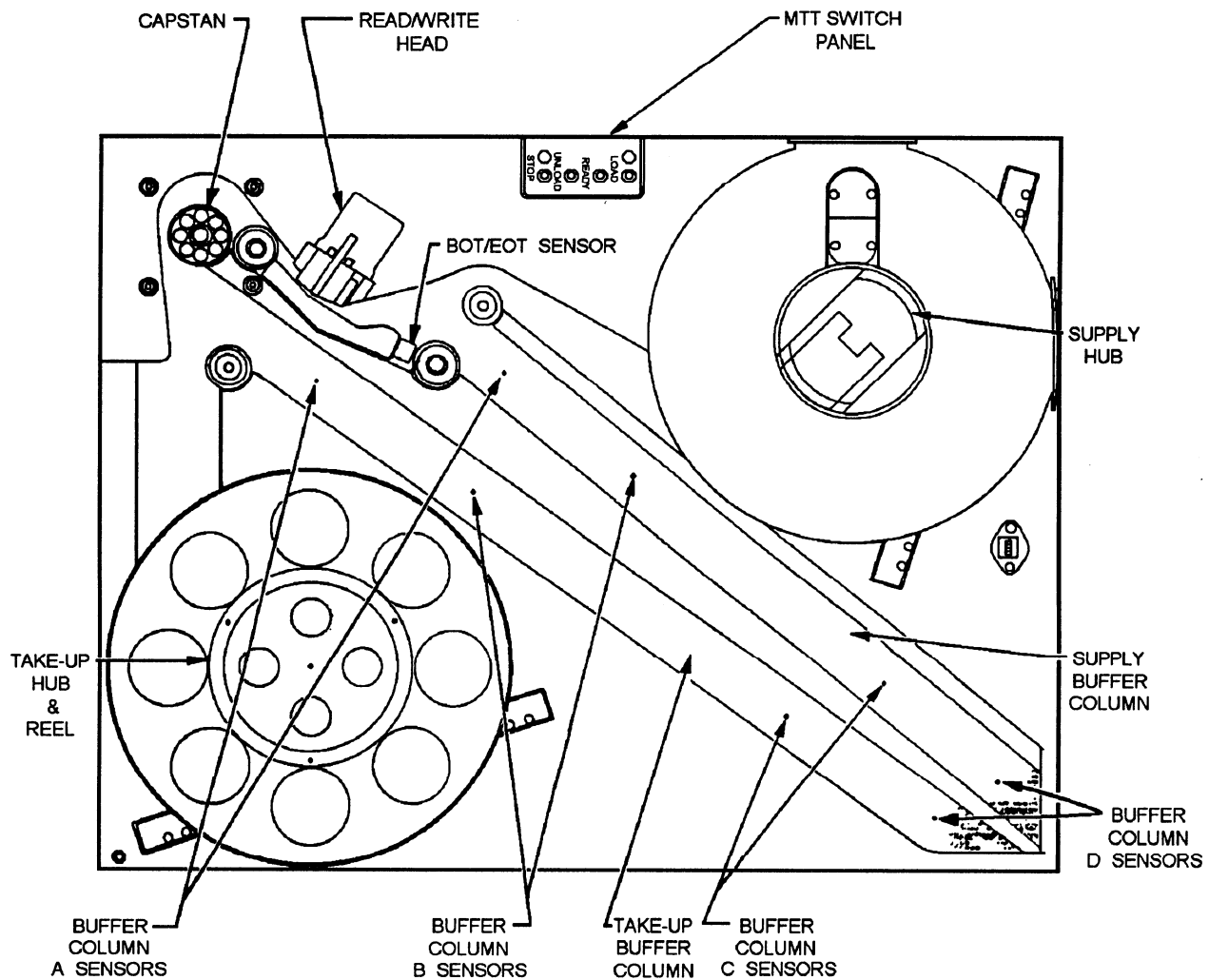


Figure 9-19.—A magnetic tape transport, detailed view.

ETFC0114

Figure 9-19 shows a common form of tape transport. The supply and take-up reels are mounted on servo-driven hubs. The tape is guided from the supply reel through the supply vacuum column, under the read/write head, over the capstan, through the take-up vacuum column, to the take-up reel.

Loops of tape are formed in the vacuum columns during the loading process. The size of the tape loop in the vacuum column determines the direction of rotation of the servomotor-driven reel that corresponds to the column (supply/take-up).

The capstan determines the direction and speed of tape movement under the read/write head assembly. The capstan is driven by a bidirectional motor so that it may rotate in either direction. When tape motion is desired, the capstan is rotated in the desired direction. Natural friction or vacuum applied through holes in the capstan pulls the tape in the desired direction at the correct speed. Tachometers are often used to sense for correct tape speed and to control capstan speed.

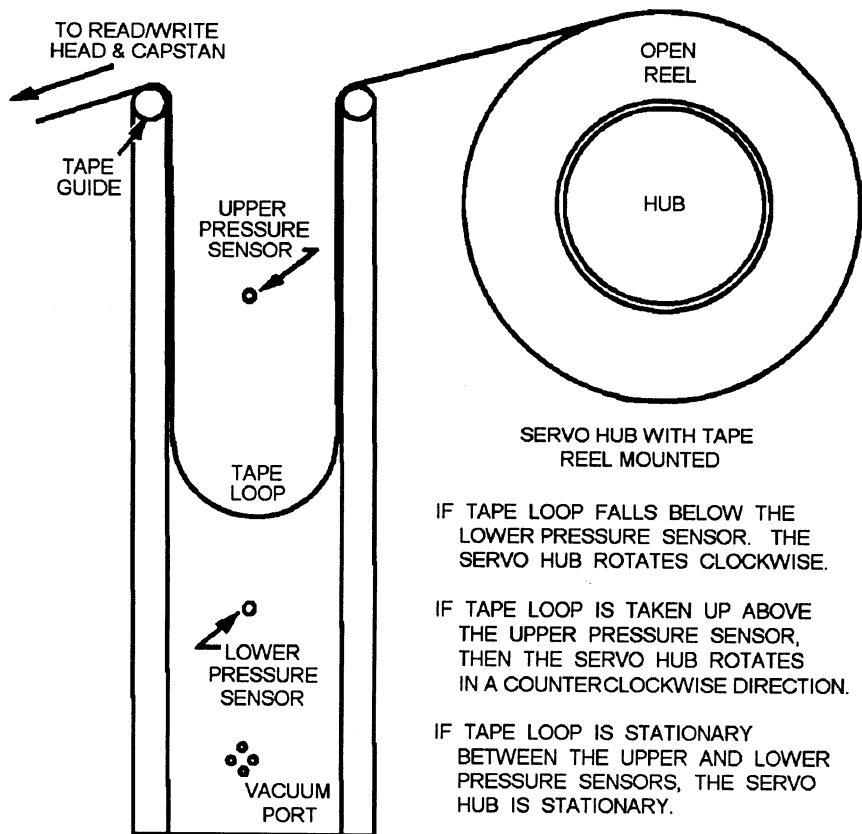
As the capstan pulls the tape, tape is “taken up” from one vacuum column, and “payed out” into the other. Tape position in the columns is sensed by pressure-sensitive switches or photodiode assemblies. As one column is being emptied of its tape loop, the corresponding servo-driven reel pays out tape to maintain the correct tape loop. As the loop in the opposite column grows larger, the corresponding servo-driven reel takes up tape, once again maintaining the correct size loop. The locations of loop sensors in the vacuum column and servo-hub response are shown in figure 9-20.

The MTT must be connected to the MTU control unit and power supply for the necessary operational commands and power.

### MTT Block Diagram

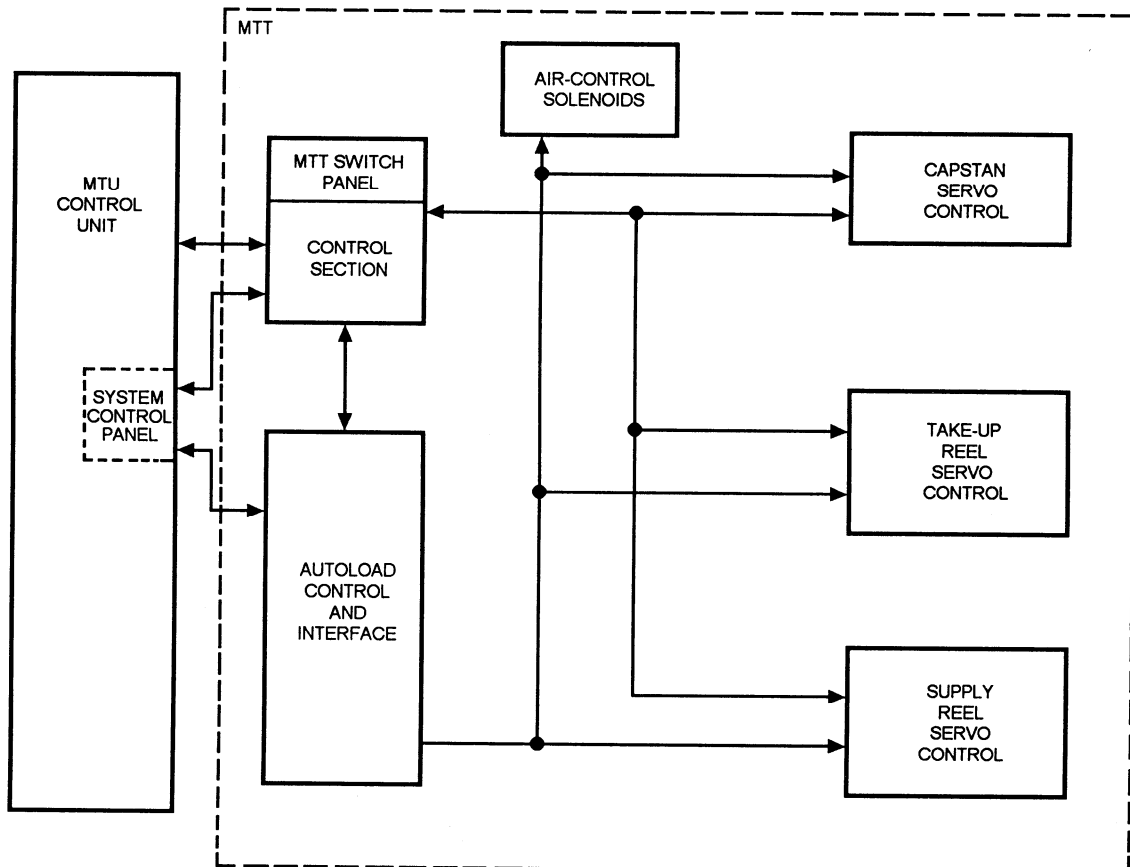
The MTT can be divided into the following functional areas, as shown in figure 9-21:





ETFC0115

Figure 9-20.—A vacuum column/servo hub.



ETFC0116

Figure 9-21.—An MTT functional block diagram.

- Control section
- Autoload control and interface circuitry
- Air-control solenoids
- Capstan servo control
- Take-up reel servo control
- Supply reel servo control

**CONTROL SECTION.**— The control section provides the control signals for manual operation of the MTT. It lights the MTT switch panel indicators (LOAD, UNLOAD, and STOP) and remote system control panel indicators to notify the MTT operator of operational status. In addition, the control section acts as an interface for MTU control signals and status responses.

**AUTOLOAD CONTROL AND INTERFACE.**— The autoload control and interface section provides the function signals for controlling the sequential operations of the automatic loading process. It provides operator status indications to the system control panel and MTT switch panel. It also provides status of the transport to the MTU control unit via the control section.

This section also provides timing pulses and servo-movement control signals to the capstan, air-control solenoids, and reel servo-control sections during the autoloading process.

**AIR-CONTROL SOLENOIDS.**— The air-control solenoids (Air 1 and Air 2) control the application of vacuum and air pressure during the loading process and during normal operation. Air 1 is energized during the first portions of the autoload operation to apply pressure to the buffer columns. This prevents loops from forming in the columns as tape is fed to the take-up reel. When the tape reaches the take-up reel, Air 2 is energized to apply a vacuum to the take-up reel to cause the tape to adhere to the reel. Once the tape adheres to the take-up reel, then Air 1 and Air 2 are deenergized. When they are deenergized, vacuum is applied to the buffer columns through the vacuum ports. This forms the loops of tape in the columns for normal operation.

**CAPSTAN SERVO CONTROL.**— The capstan servo-control circuitry controls the direction and speed of the capstan. The purpose of the capstan is to move the tape forward at 120 ips and in reverse at 120 or 200 ips. The 120-ips speed is used for reading and writing in the forward direction and reading in the reverse

direction. The 200-ips speed is used primarily to rewind the tape. The capstan is slowed to 120 ips when less than 100 feet of tape remains on the take-up reel (low tape). A special feature allows for fast forward or reverse tape movement (200 ips) under direction of the MTU control unit.

The capstan controls tape movement. The reel servo-control systems only respond to or assist in the movement and stopping of the tape. The capstan is connected to a tachometer that feeds capstan velocity to the reel servo-control sections.

**SUPPLY REEL SERVO-CONTROL SECTION.**— The supply reel servo-control section controls the movement of the supply reel hub. Hub motion depends on capstan direction and velocity, reel tachometer input, and vacuum/pressure sensors in the supply buffer column.

Four vacuum/pressure sensors are located in the supply buffer column. These sensors (labeled A, B, C, and D in fig. 9-19) locate the tape loop within the vacuum (buffer) column. Sensors B and C are called control sensors. During normal operation, the tape loop is between sensors B and C in the column. The servo-driven hub attempts to keep the loop between sensors B and C at all times.

Sensors A and D are called fault sensors. If the tape loop reaches above sensor A or below sensor D, a fault condition is indicated. A fault condition removes the tape transport ready status and stops tape movement.

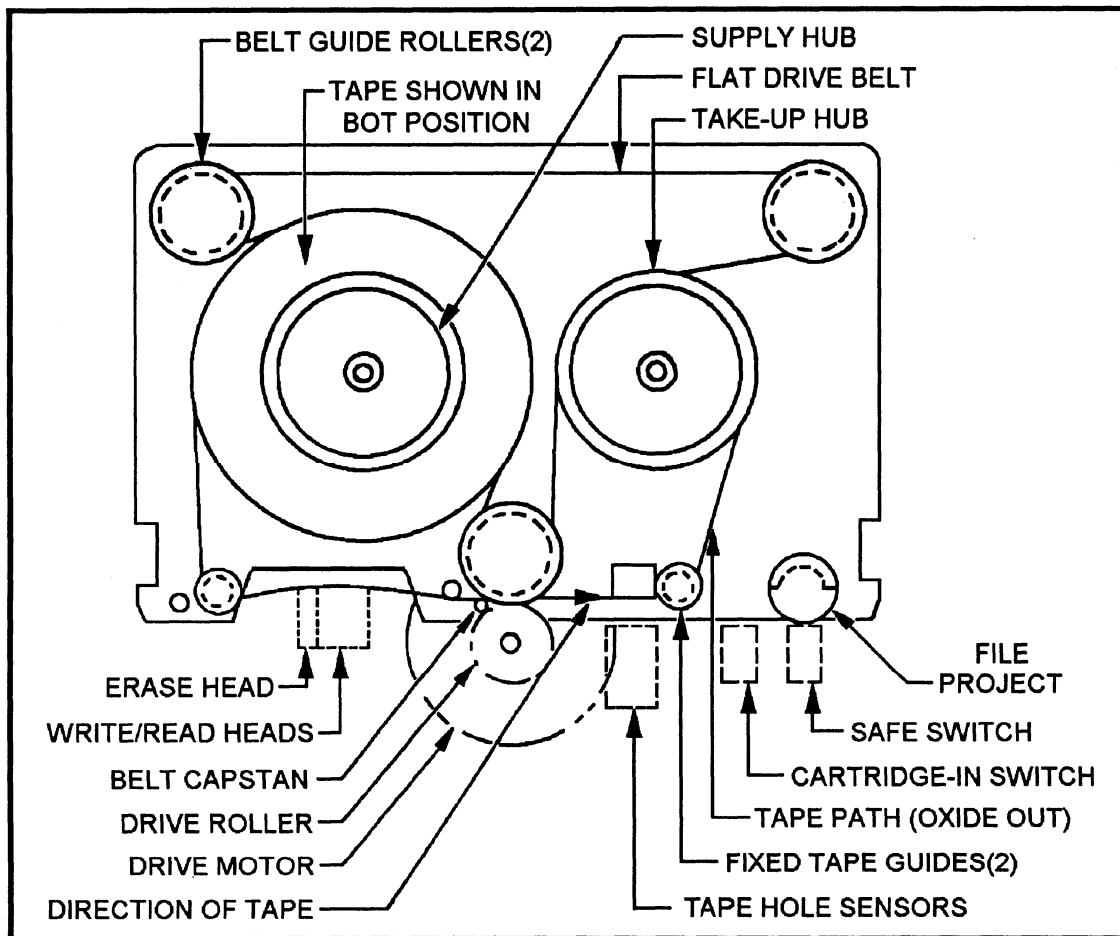
At the mouth of the supply buffer column (fig. 9-19) is the reel tachometer. The reel tachometer assesses the speed of the tape being fed into or taken out of the supply buffer column. The speed of the reel tachometer is compared to the speed of the capstan tachometer. The greater the difference, the greater the change in the speed of the servo-driven hub as it responds.

**TAKE-UP REEL SERVO-CONTROL SECTION.**— The take-up reel servo-control section is identical to the supply reel servo-control section.

## CARTRIDGE MAGNETIC TAPE DEVICES

Cartridge magnetic tape devices perform the same functions as standard magnetic tape unit controllers and transports. The cartridge contains a mechanical system of belts, guide rollers, and capstans as shown in figure 9-22.

The cartridge is inserted into the applicable unit, which contains the controller and the read/write heads, drive roller, and sensors of the unit. The



ETFC0117

Figure 9-22.—A magnetic tape cartridge.

standard cartridge uses 600 feet of 1/4-inch tape. Instead of reflective markers, holes punched in the tape are used to indicate BOT/EOT.

The unit contains four read/write heads. Data may be written on or read from four addressable tracks (0, 1, 2, or 3). Separate data maybe stored in each track, or tracks may be used as a continuation of the previously selected track. Data is stored serially one bit at a time down the length of the track. Up to 60 megabytes of data may be stored on one 600-foot cartridge.

Cartridge units are slower than standard tape drives, but the cartridges are more rugged and easily transported. In addition, the cartridge unit has less moving parts than the standard tape drive, which contributes to increased unit reliability and maintainability.

### TOPIC 3—MAINTENANCE REQUIREMENTS

Preventive maintenance of magnetic tape devices consists of performing mechanical and electrical

alignments and testing the tape units using several different maintenance programs.

### ALIGNMENT

Magnetic tape units require many mechanical and electronic adjustments/alignments. Some of these adjustments are required only during unit installation. Others must be done when a faulty component or assembly is removed and/or replaced. Still others are needed because of normal equipment usage (wear and tear).

Alignment checks or adjustments required on a periodic basis are covered by the Planned Maintenance System (PMS) Maintenance Index Page (MIP) and Maintenance Requirement Cards (MRCs) that apply to the unit you are maintaining.

You may find nonperiodic adjustment procedures or technical specifications for periodic alignment checks in the technical manual for the magnetic tape device in your system.

## DIAGNOSTIC PROGRAMS

The following three types of test (diagnostic) programs are available for most magnetic tape units:

- Internal diagnostics
- The programmed operational functional appraisal (POFA) for the MTU in your system
- The MTU peripheral equipment functional test (PEFT)

### Internal Diagnostics

Internal diagnostic tests are controlled by the MPC ROM. For periodicity and procedures, look in the PMS MIP and MRCs.

### Programmed Operational Functional Appraisal (POFA)

The programmed operational functional appraisal (POFA) tests are run under the control of a stand-alone computer. That is, the computer running the POFA cannot be simultaneously running the operational program. The POFA consists of four separate tests that are discussed in the following paragraphs.

**THE FUNCTION AND FORMAT TEST.**— The function and format test checks the ability of the MTU to respond to computer commands and to provide status and error condition information.

**THE DUPLEX TEST.**— The duplex test checks MTU response to duplex control commands.

**THE TRANSPORT COMPATIBILITY TEST.**— The transport compatibility test checks the compatibility between the MTTs.

**THE EXTENDED OPERATION TEST.**— The extended operation test checks the ability of the MTU and MTTs to operate for extended time periods.

Periodicity of the POFA tests is determined by the PMS MIPs. You'll find the operating procedures in the NAVSEA POFA manual.

### Peripheral Equipment Functional Test

The peripheral equipment functional tests (PEFTs) run under the control of the operational program computer. They are a subset of the dynamic combat system test (DCST) and are designed to be run online

with and as part of the operational program. You can use the PEFT tests to check MTU write and read compatibility and to perform a function and format test of the MTU without interrupting the operational program.

## SUMMARY—MAGNETIC TAPE STORAGE

This chapter has introduced you to magnetic tape storage concepts and atypical magnetic tape unit. The following information highlights points you should have learned.

**MAGNETIC TAPE**— Magnetic tape is made of a ferrous oxide material glued to a thin plastic or metal strip. Magnetic tape comes in a variety of sizes and lengths such as open reels, cartridges, and cassettes.

**MAGNETIC TAPE HANDLING**— Magnetic tape handling includes the storage, handling, maintenance, and control of tapes. By following the proper procedures, you can prevent damage to your tapes and safeguard the information contained on the tapes.

**DATE STORAGE ON MAGNETIC TAPE**— Magnetic tape storage concepts introduced you to how data is written on and read from magnetic tape. It also introduced you to the different methods used to encode data on the tape. These are return-to-zero (RZ), non-return-to-zero (NRZ), non-return-to-zero indiscrete (NRZI), and phase encoding (PE). Phase encoding allows for the highest densities of data, while return-to-zero is limited to very low densities.

**MAGNETIC TAPE UNIT**— The magnetic tape unit is the device for writing and reading magnetic tape. It has two major functional areas; the magnetic tape controller and one or more magnetic tape transports (MTTs).

**MAGNETIC TAPE CONTROLLER**— The magnetic tape controller receives and processes data and commands from the host computer and sends data and status to the host computer. It provides timing and control signals to the MTT for read, write, search, and rewind operations.

**MAGNETIC TAPE UNIT OPERATIONS**— Magnetic tape units can perform the following operations: read, write, search, space file, and rewind.

**MAGNETIC TAPE TRANSPORTS**— The magnetic tape transports contain the electromechanical circuitry and motors to control all tape movement, reading and writing data, and sensing tape position (BOT/EOT), and tape errors (vacuum column fault).

**MAINTENANCE REQUIREMENTS**— Maintenance requirements for a typical tape unit involve periodic alignments and running of performance and diagnostic tests to ensure proper operation and compatibility.



## CHAPTER 10

# MAGNETIC DISK STORAGE

### INTRODUCTION

Probably the most used storage medium today is the magnetic disk. Disks and disk drives come in a variety of sizes and types. Diskettes (floppies or floppy disks) are used in personal computers in offices and make it easy to exchange data between offices and commands. Disk file units, also referred to as mass memory units, have removable hard disk packs and are used with the large mainframe computer systems such as the Combat Direction System (CDS) and the Shipboard Nontactical ADP System (SNAP). The fixed disk drives are used extensively in personal computers and minicomputers such as the Tactical Command System (TCS).

**After completing this chapter, you should be able to:**

- **State the functions of magnetic disk storage devices**
- **Define *random access* as used in magnetic disk memory systems**
- **Describe the different types of magnetic disks**
- **Define magnetic disk tracks, sectors, and cylinders**
- **Describe the construction of floppy disks**
- **Describe the operations of floppy disk drives**
- **Define disk density and coercivity**
- **Describe the correct procedure for installing and configuring a floppy disk drive in a microcomputer**
- **Describe how MS-DOS organizes data on floppy disks**
- **Describe the precautions to be followed in handling and storing floppy disks**
- **Describe the construction of a disk pack**
- **Describe the major functional areas of a disk file unit controller**
- **Explain the functions of the major components of the disk drive unit or a disk memory set**
- **Explain how a disk memory set formats a disk, writes data to a disk, and reads data from a disk**

- Describe the physical characteristics of a fixed disk system
- Describe the data encoding methods used to write data on magnetic disks
- Describe disk interleaving effects on hard drive operations
- Explain the methods for recovering data from a fixed disk drive
- Explain the methods for preventing, detecting, and removing computer viruses from fixed disk systems
- Describe the precautions to be followed in handling and storing floppy disks, disk packs, and fixed disks

The popularity of disk systems has grown because of their speeds and large capacities to store data. Disks are generally thought of as random access memory devices, although this is not entirely true. To find data on a disk, first the read/write heads must seek a track, then wait while the disk spins to the desired sector. When the sector is reached, the heads can read or write data.

In our study of disk storage devices, we explore what tracks and sectors are as well as the three major types of disk devices: floppy disk drives, disk file units, and fixed disk drives. We also examine how data is stored on a disk.

When discussing floppy and fixed disk systems in personal computers, we are referring to IBM and compatible computers using Intel 80286 or greater microprocessor system. References to DOS refer to the Microsoft Disk Operating System (MS-DOS).

## TOPIC 1—FUNDAMENTALS OF MAGNETIC DISKS AND DISKS DRIVES

Magnetic disks are generally termed as secondary storage for computer systems. They are used to temporarily hold data that is not immediately required for computer operations and to store programs that are not currently being executed. Through the years, magnetic disk data capacities have increased at tremendous rates. The first fixed disk drives had a capacity of just 5 megabytes. Today, fixed disk capacities are approaching several gigabytes. The same holds true for floppy disk drives. The original 8-inch floppy was a single-sided disk with a total capacity of 180 kilobytes. Today we have 3.5-inch floppy disks with a capacity of over 1.4 megabytes. Also, there are disk file units with removable disk packs that have capacities of several gigabytes. Disk file units are used with mainframe computer systems with large databases

to speed up access times and to provide flexibility to system configuration.

### TYPES OF DISKS

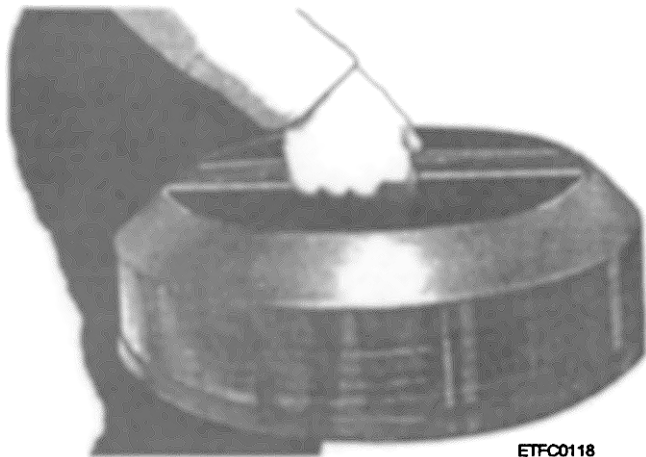
As mentioned previously, there are currently two types of disks: the **hard disk** and the **floppy disk** or diskette.

#### Hard Disks

Hard disks are divided into two groups, the **disk packs** used with disk file systems and the **fixed** disks.

**DISK PACKS.**— Disk packs contain large (usually 14") platters. They are packaged in vertical stacks of up to 16 disks. Each disk surface is coated with a magnetic medium and can be used for data storage, although the top and bottom surfaces of the pack are usually used as protective surfaces. Disk packs are easily removed from the drive system. They have very large capacities and can store from 500 megabytes to





**Figure 10-1.—A magnetic disk pack.**

several gigabytes. An example of a disk pack is shown in figure 10-1.

Disk cartridges are another form of disk pack with the heads and head actuator assemblies contained within a sealed cartridge. Since the disk pack is never removed from the cartridge, disk cartridges suffer less contamination problems from dust and dirt than standard disk packs.

**FIXED DISKS.**— Fixed disks are small sealed units that contain one or more disk platters. Fixed disks are known by several terms, such as Winchester drive, hard drive, or fixed disk. For clarity, we refer to them as fixed disks throughout this chapter. Fixed disks are used in minicomputers and personal computers. They can also be adapted for use in mainframe computers instead of having separate disk file units.

### Floppy Disks

Floppy disks come in several sizes and densities. They are called floppy disks because the magnetic coating is placed on a thin flexible polyester film base.

**THE 8-INCH FLOPPY DISK.**— The 8-inch floppy disk was the first disk widely used for commercial purposes. It is available as both single- or double-sided and single- or double density. The 8-inch disk is quickly becoming obsolete.

**THE 5.25-INCH FLOPPY DISK.**— The 5.25-inch floppy disks are used with both personal computers and minicomputers. The standard double-sided, double-density disk has a capacity of 360

kilobytes (K). Quad-density disks hold 720K, while the newest high-density disks can hold 1.2 megabytes (M).

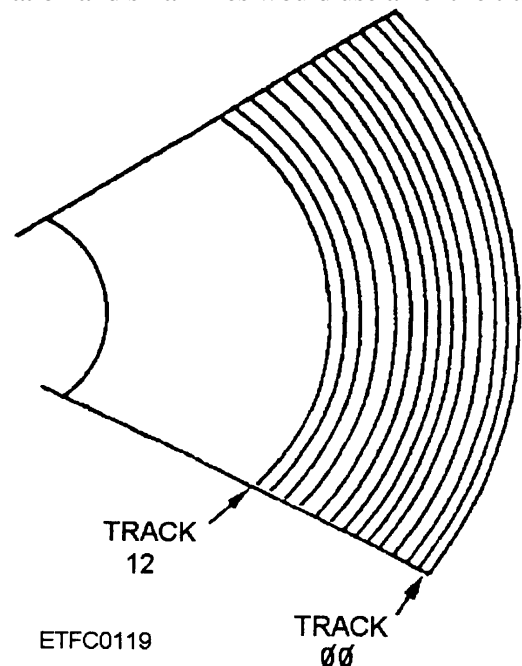
**THE 3.5-INCH FLOPPY DISK.**— The current disk of choice is the 3.5-inch floppy disk. These disks are also used with personal computers and minicomputers. These smaller disks have data capacities of 720K for double-density disks and 1.44M for high-density disks.

### ORGANIZING DATA ON DISKS

Before data can be stored on a magnetic disk, the disk must first be divided into numbered areas so the data can be easily retrieved. Dividing the disk so the data can be easily written and retrieved is known as formatting the disk. The format program divides each data surface into tracks and sectors.

**Tracks** — Concentric rings, called tracks, are written on the disk during the formatting process. Floppy disks have 40 or 80 tracks per side. Fixed disks and disk packs can have from 300 to over 1,000 tracks per side. Figure 10-2 shows an example of how tracks are written on a disk surface. Each track is assigned a number. The outermost track on a disk is assigned number 00. The innermost track is assigned the highest consecutive number.

**Sectors** — Each track is divided into sectors. Sectors are numbered divisions of the tracks designed to make data storage more manageable. Without sectors, each track would hold more than 4,500 bytes of information and small files would use an entire track.



**Figure 10-2.—Tracks on a segment of a magnetic disk.**

Figure 10-3 shows how a disk surface is divided into sectors and tracks. A 360K floppy disk is divided into 9 sectors per track and 40 tracks per side. Each sector is capable of holding 512 bytes. Simple math tells us the 512 bytes per sector times 9 sectors per track times 40 tracks per side times 2 sides equals 368,640 bytes.

### Cylinder Addressing

Disk drives generally use the cylinder addressing method to store and retrieve data. In a disk drive, the read/write heads are positioned concurrently by parallel access arms to the same track number. In other words, if one head seeks track 20, then all heads move to track 20 of their respective recording surface.

This means that all identically numbered tracks on the disk pack recording surfaces form a vertical cylinder. The cylinder number corresponds to the track number. All track 00s form cylinder 00. All track 200s form cylinder 200 and so on. Figure 10-4 shows an example of a disk drive seeking cylinder 20 of a disk pack. If a disk pack has 10 recording surfaces with 800 tracks per surface, then it would have 800 cylinders. Data is stored or retrieved by using the cylinder address. The cylinder address consists of the cylinder number, sector number, and head or recording surface number.

### Formatting

As we have seen, formatting a disk writes the tracks and sectors on the disk. In addition, the format program used with personal computers also examines the disk for bad areas and creates the root directory, the file allocation table (FAT), and the disk boot sector. The boot sector contains information to tell the computer what type of disk is being used, what format the data is in, and other information that the DOS needs to read the disk.

Fixed disks used in personal computers need an additional high-level format that defines the type of drive and the operating system being used.

Once a disk is formatted, it is ready to have data written on it. How the data is stored in the sectors is primarily driven by the disk operating system (DOS). The following section shows how DOS organizes data on floppy and fixed disks by using directories.

### Directories

DOS stores data in directories. A directory is a file system that enables DOS to manage files. There are two types of directories: the root directory and the subdirectories.

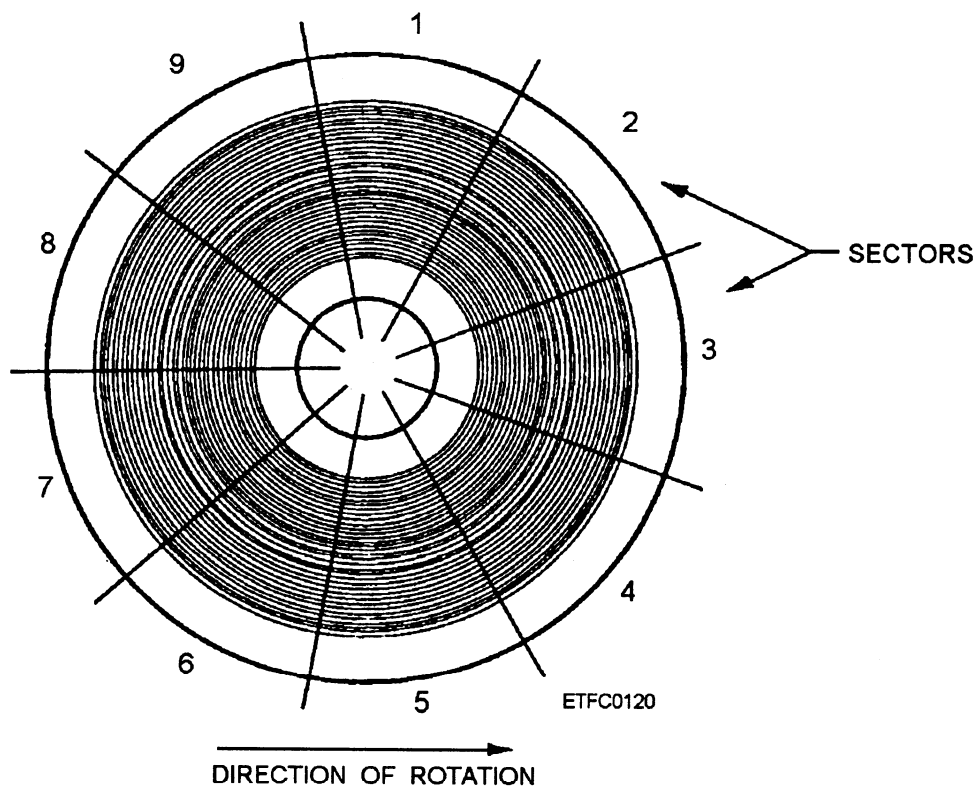


Figure 10-3—Sectors and tracks on a magnetic disk.

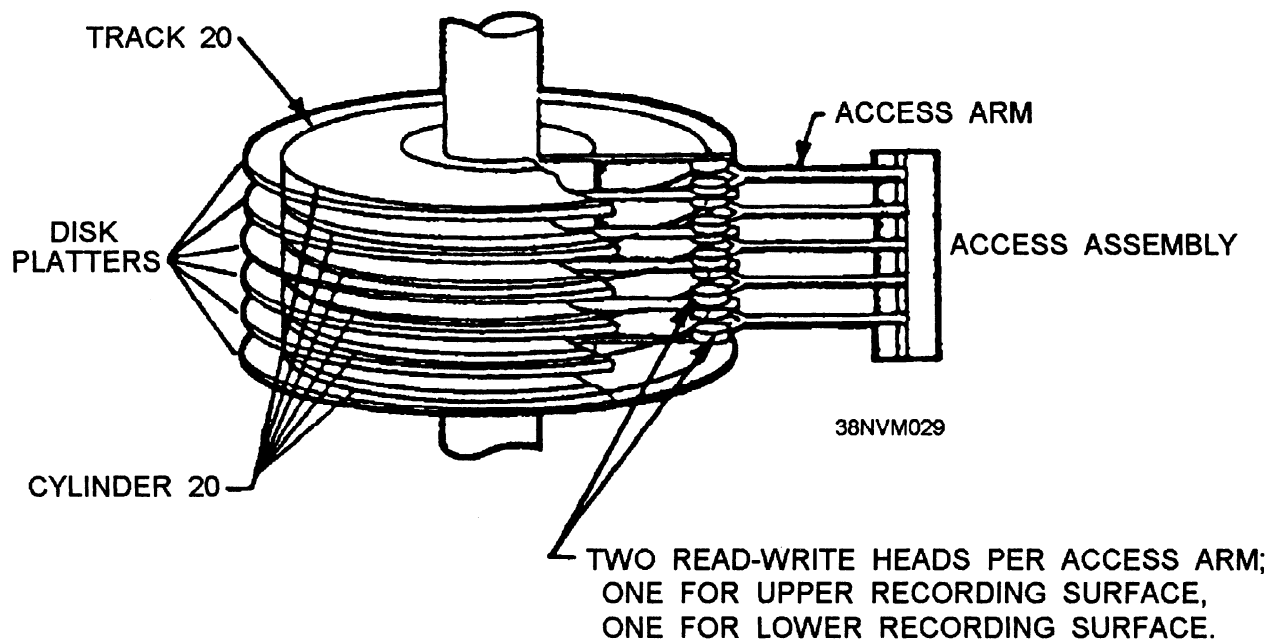


Figure 10-4.—Disk pack access arm seeking cylinder 20.

**Root Directory** — Formatting a disk creates the root directory. This directory is limited in size according to the type of disk you have and what version of DOS you are using. With a DOS version of 3.x or greater, all floppy disks and 10M fixed disks have 128 entries in the root directory. Fixed disks with 20M+ capacity have a root directory with space for 512 entries.

**Subdirectories** — Subdirectories are directories that are treated as data files. There is no limit on how many entries they can have. To help you keep data organized, you can also make subdirectories for subdirectories.

Table 10-1 illustrates a typical directory tree for a fixed disk.

In table 10-1, the directories \DOS, \DATABASE, and \WORDPROC are subdirectories of the root directory C:\. The directory \FILES is a subdirectory of \WORDPROC.

Table 10-1.—A Typical Directory Tree

DIRECTORY NAME	DIRECTORY CONTENTS
C:\	Root directory
\DOS	DOS files
\DATABASE	Database program
\WORDPROC	Word processing program
\FILES	Subdirectory of WORDPROC, contains data files created with word processing program

DOS stores files in these directories. When you create a file, you must give the file a name to store it. The **name** can be up to eight characters in length, followed by a period and a three character extension. The file extension is used to help identify the type of file. Program file extensions are .EXE (execute) or .COM (command). A .BAT extension designates a batch file.

Looking at a directory entry, you will find that each entry is 32 bytes long. Table 10-2 illustrates the breakdown of a DOS directory entry.

**File attributes** designate whether the file has been marked by the creator as a read-only file, a hidden file, a system file, or a subdirectory, or if the file has been archived.

Table 10-2.—DOS Directory Entry

ENTRY	BYTES USED
File name	8 bytes
File name extension	3 bytes
File attributes	1 byte
Reserved for future use	10 bytes
Time file created	2 bytes
Date file created	2 bytes
Starting cluster	2 bytes
Size of file (in bytes)	4 bytes

The date and time fields are updated every time the file is changed.

The starting cluster field indicates where the beginning of the file is stored on the disk. DOS uses clusters to define disk areas. Depending on the type and capacity of a disk, a cluster can be from 1 to 128 sectors. A 5.25-inch, 360K floppy disk has 2 sectors per cluster. A 32M fixed disk has 4 sectors per cluster. DOS uses the starting cluster field to reference the file allocation table (FAT) to get information as to where the entire file is stored.

**File Allocation Table**

The file allocation table (FAT) is created during the formatting process. There is a FAT entry for each cluster on the disk. A FAT entry will be

- a zero (0), to indicate the cluster is available for storage,
- an end of file code,
- a bad cluster code (written during formatting), or
- a number that points to the next cluster in the file.

Suppose we have a file named EVAL.ABC on a 5.25-inch, 360K floppy disk. The file is 4,608 bytes long and could be stored in 4.5 clusters. DOS cannot use partial clusters so this file would occupy 5 full clusters. The directory entry for the starting cluster indicates cluster 25 as the first cluster of this file. Table 10-3 illustrates what the FAT entries for this file might look like.

As illustrated in table 10-3, the disk had clusters 25, 26, and 27 available to store EVAL.ABC, then had more

data so the rest of the file was stored in clusters 70 and 71. Note also the FAT is a one-way pointer. That is, by examining the contents of the entry for cluster 70, we see that the file continues in cluster 71, but we don't know the previous cluster was cluster 27.

**TOPIC 2—FLOPPY DISKS AND DISK DRIVES**

Floppy disks are available in a variety of densities for each size of disk. The disks are labeled as to the maximum density each is designed to handle. Table 10-4 shows the sizes and densities of some floppy disks. The differences between the disk types listed in tables 2-4 and using them in various drives is covered in detail later in this chapter.

Table 10-3.—Contents of a File Allocation Table

FAT CLUSTER #	CONTENTS OF FAT	MEANING
24	Bad	DOS marked this cluster as bad during formatting
25	26	Next cluster in file is 26
26	27	Next cluster in file is 27
27	70	Next cluster in file is 70
...	...	
70	71	Next cluster in file is 71
71	End of file	This is the last cluster of this file

Table 10-4.—Floppy Disk Density Formats

DISK TYPE	TRACKS	SECTORS	CAPACITY	FERROUS MATERIAL
<b>5.25-Inch Disks</b>				
360K DSDD	40	9	360K	Iron oxide
Quad-density	80	9	720K	Iron oxide
High-density	80	15	1.2M	Cobalt
<b>3.5-Inch Disks</b>				
Low-density	80	9	720K	Cobalt
High-density	80	15	1.44M	Cobalt

Floppy disk drives are the simplest of all magnetic disk devices, but contribute to a large number of problems in personal computer operations. Most of the floppy disk and drive problems you will encounter as a technician are caused by improper system operation. By thoroughly examining the operation of a floppy drive, you can eliminate many of these errors. In the following sections, we explore the construction of 5.25-inch and 3.5-inch disks and the operation of a typical disk drive unit.

## THE 5.25-INCH FLOPPY DISK CONSTRUCTION

When you examine a 5.25-inch floppy disk, you notice several holes and notches as well as the disk itself. Figure 10-5 shows a 5.25-inch floppy disk.

### The 5.25-Inch Disk

The disk is visible through the media access hole on either side of the disk. The disk is made of thin flexible polyester film that is coated with a magnetic material. This material is iron-oxide on low-density disks (360K) and cobalt on high-density disks.

### Disk Jacket

The disk is enclosed in a plastic jacket to protect the disk surface from contamination caused by dust, dirt, and smoke. The inside of the disk jacket is lined with soft felt to clean the disk as it spins. On the bottom of the disk jacket are two notches called stress relief notches. They help prevent the disk from warping and relieve stress on the disk. Some drives also use these

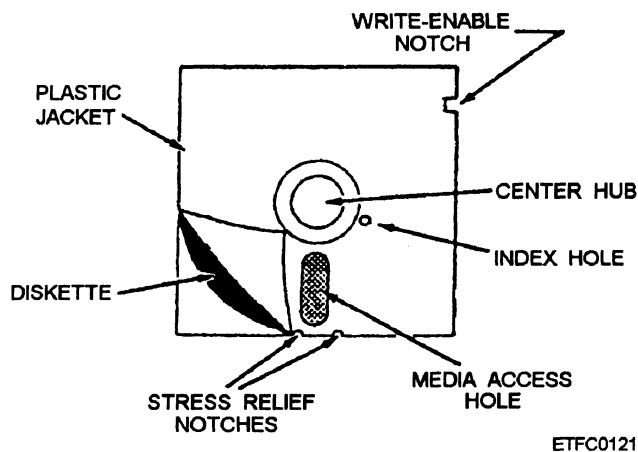


Figure 10-5.—The 5.25-inch floppy disk.

notches to keep the disk in the proper position in the drive.

### Media Access Hole

Below the large hole in the middle of the disk is a large oval hole called the media access hole. There is a media access hole on each side of the disk. When you insert the disk in a drive, the heads are positioned over these holes to read or write on the disk.

### Index Hole

Just to the right and above the media access hole is a small round hole known as the index hole. If you were to look at the disk, you would notice a small hole near the big hole in the middle. This index hole indicates the start of sector 1 on each track.

**SOFT-SECTORED DISKS.**— Soft-sectored disks have only one index hole. The sectors are physically written on the disk during the formatting operation. The index hole indicates the starting point for sector 1 on each track.

**HARD-SECTORED DISKS.**— Some disks have eight or nine index holes. These are known as hard-sectored disks and each hole represents the start of a sector. Never try to use a hard-sectored disk in a drive designed for soft-sectored disks as it will drive the machine crazy trying to find sectors 2 through 9.

### Write Enable Notch

On the right edge of the disk jacket, about 1 inch from the top is a small notch in the jacket. This is the write enable notch. In order to write on a disk, this notch must be present. If you want to protect a disk from accidental loss of data, cover this notch with a strip of tape. Strips of tape for write protection are usually provided in the box with the disks.

### Central Hub Access Hole

In the center of the disk is a big hole known as the central hub access hole. When you insert the disk in a drive and close the door, a cone-shaped clamp centers the disk and clamps it to the spindle motor. Due to the pressure, many clamps exert on disks, most disks have a reinforcement ring around the edge of the disk to prevent damaging it.

## THE 3.5-INCH FLOPPY DISK CONSTRUCTION

Figure 10-6 shows a 3.5-inch disk. The 3.5-inch and 5.25-inch disks are constructed of the same basic materials. The disk is a thin flexible polyester film base that is coated with a magnetic compound. This compound is iron-oxide for standard and double-density disks and a cobalt ferric compound for high-density disks.

### Disk Case

The 3.5-inch floppy disk's rigid plastic case stabilizes the disk as it spins. This allows for greater densities of data to be written on the disk.

### Media Access Hole and Shutter

Examining the case of a 3.5-inch disk, you'll notice several differences from the 5.25-inch disk. The first difference is the metal shutter covering the media access hole. This shutter is spring loaded and moves out of the way to expose the disk when the disk is loaded into a drive. When the disk is not loaded in a drive, this shutter covers the hole and eliminates the need for a disk jacket to store the disk.

### Write Protect/Write Enable Slide

Write protection for the disk is accomplished by means of a slide switch in the lower left corner of the disk. Figure 10-6 illustrates the location of the write protect/write enable slide switch. When the slide

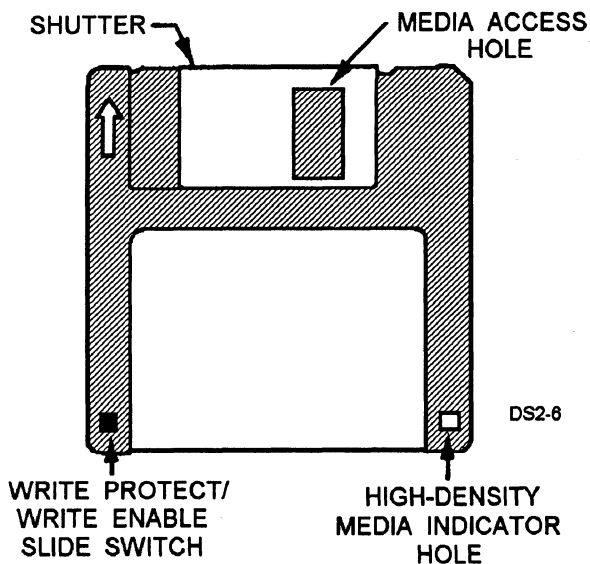


Figure 10-6.—The 3.5-inch floppy disk.

switch is positioned so you can see a hole through the case, the disk cannot be written on.

### Media Indicator Hole

On the lower right corner of some 3.5-inch disks is another hole that designates the disk as a high-density disk. When a high-density disk is loaded into a high-density drive, a sensor checks for the presence of this hole. If it is present, the disk can be formatted in the 1.44M mode. If this hole is not present, the disk can only be formatted as a 720K disk.

## FLOPPY DISK DRIVE OPERATION

Several basic components are common to all floppy disk drives. To properly test, install, or service a disk drive, you must be able to identify these components and understand their functions in the drive. Figure 10-7 shows a typical 5.25-inch disk drive with the major components labeled as follows:

- Spindle assembly/drive motor
- Drive electronics circuit board
- Connectors
- Head actuator assembly
- Read/write head arm assembly

### Spindle Assembly/Drive Motor

The spindle holds the disk in place while it spins. The drive motor spins the spindle at the proper speed. Most floppy disk drive motors spin at 300 rpm except the 1.2M drive, which spins at 360 rpm. Almost all half-height drives use a direct drive motor to turn the spindle, and the speed cannot be adjusted.

Some older full-height drives use a belt-driven motor. These belt-driven drives usually have a strobo-disk mounted on the underside of the drive set to both 50 Hz and 60 Hz. To adjust the speed, you remove the drive and issue a command to get the motor running. Look at the strobo-disk under a fluorescent light and adjust the drive speed until the outer strobo-disk spokes appear to be standing still. The inner disk is set up for 50 Hz operation, the frequency of European main power.

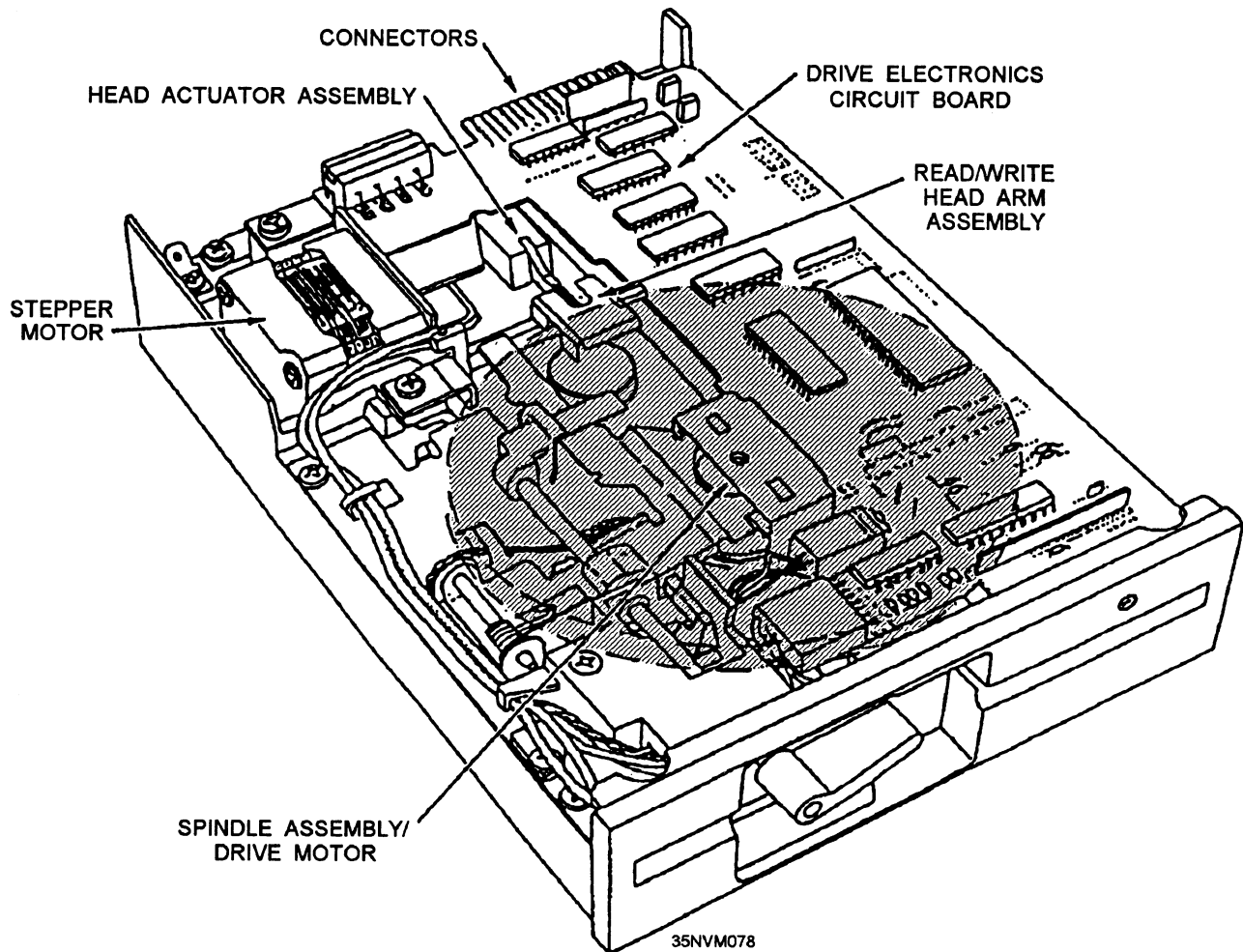


Figure 10-7.—A typical floppy disk drive.

### Drive Electronics Circuit Board

Mounted to the disk drive is the drive electronics circuit board. This board contains the circuitry that (1) controls the electromechanical parts of the disk drive, (2) controls the operation of the read/write heads, and (3) interfaces the floppy disk drive to the disk controller in the computer.

### Connectors

On the back of the drive electronics circuit board are at least two connectors. The 4-pin, in-line connector supplies power to the drive. The 34-pin edge connector provides control signals to the drive and exchanges data between the drive and the disk controller in the computer.

### Head Actuator

The head actuator assembly is a mechanical motor assembly that actually moves the heads over the disk. It does this by using a stepper motor. This motor moves in very small fixed increments or steps. Each increment of the stepper motor defines one track; therefore, if we want to read data on track 20, and the heads are at track 10, the stepper motor must be incremented 10 times to reach track 20.

### Read/Write Head Assembly

Floppy disk drives have two read/write head assemblies, one for each side of the floppy disk. The heads are mounted on arms that connect to the head actuator assembly. Since the heads are mounted to a single head actuator, they move in unison with each other.

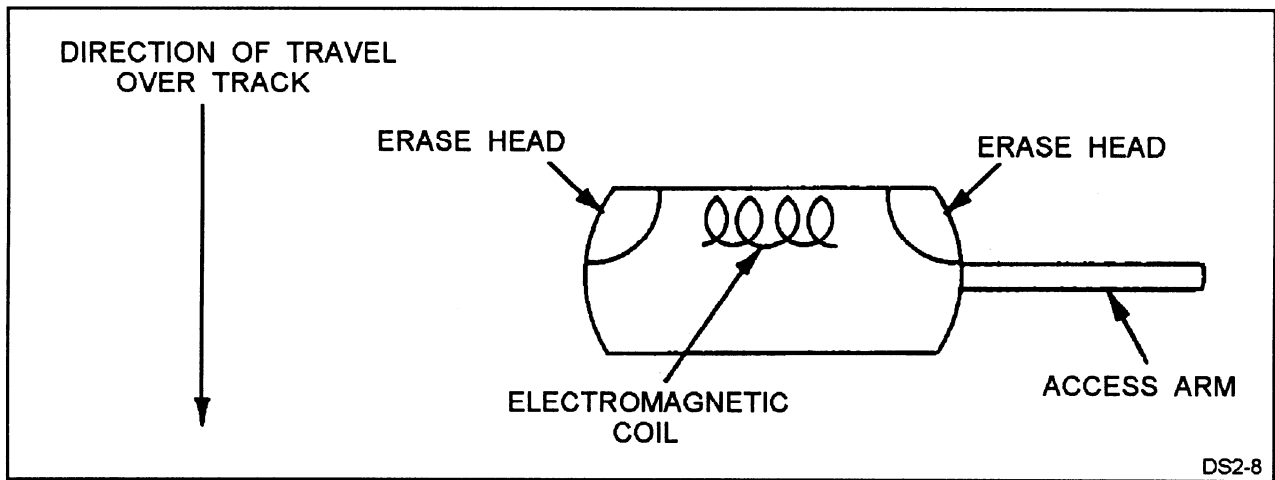


Figure 10-8.—Construction of a floppy disk drive read/write head.

**HEAD CONSTRUCTION.** — Heads are made of a soft ferrous material with electromagnetic coils for reading and writing. The read head picks up changes in magnetic flux as the disk moves past the head surface. An electric current fed through the write head creates a magnetic field around it. If the force of the magnetic field is strong enough, the area on the disk is also magnetized. By controlling the direction of current flow through the head, we can also control the direction of the magnetic field. The write (record) head is centered between two erase heads. Figure 10-8 illustrates the construction of a floppy disk drive read/write head.

**ERASE HEAD OPERATION.** — As data is written on the disk, the erase heads clip each edge of the track, ensuring that data from one track does not “spill over” to the next track. This form of recording is known as tunnel erasure.

### DENSITY AND COERCIVITY

Density is the measure of how much data can be stored on a disk. The higher the density of the disk, the more data can be reliably stored on the disk. Disk density is measured in two ways: longitudinal density and linear density.

**Longitudinal Density** — Longitudinal density is defined by how many tracks per inch can be reliably written on a disk. Longitudinal density is generally expressed in tracks per inch (tpi).

**Linear Density** — Linear density is how many bits per inch (bpi) can be stored on a disk track.

Coercivity is the magnetic field strength required to properly record data. It is measured in oersteds. Coercivity is affected by the magnetic material used and the thickness of the material.

### The 5.25-Inch Disk Densities and Coercivities

The 5.25-inch disks are rated by their density capabilities and whether data can be stored on one or both sides. A 360K disk is rated as DSDD, or double-sided, double-density disk. The rating “double-density” on these disks goes back to the very early days of floppy disk development. Single-density disks are no longer manufactured and the DSDD disk is often called a low-density disk.

Table 10-5 show the common 5.25-inch disks in use today with their densities and coercivities.

Table 10-5.—The 5.25-Inch Disk Densities and Coercivities

DISK TYPE	TRACKS-PER-INCH	BITS-PER-INCH	FERROUS MATERIAL	COERCIVITY (OERSTEDS)	TRACK WIDTH
360K DSDD	48	5,876	Iron oxide	300	.33 mm
720K quad-density	96	5,876	Iron oxide	300	.16 mm
1.2M high-density	96	9,646	Cobalt	600	.16 mm



## The 3.5-Inch Disk Densities and Coercivities

The 3.5-inch disks are constructed and rated in much the same way as 5.25-inch disks. Table 10-6 shows the densities and required coercivities for 3.5-inch disks.

### USING LOW-DENSITY DISKS IN HIGH-DENSITY DRIVES

A high-density drive will read a low-density disk with no problems. A problem occurs when you try to use a high-density drive to write on a low-density disk that was previously used in a low-density drive. Referring back to table 10-5, you see that the track width on a 360K disk is approximately .33 mm. The tracks written by a 1.2M drive are approximately .16 mm. When you try to overwrite data that was originally produced by a 360K drive, you are writing a little skinny track through the middle of a wider track. If you take this disk back to a 360K drive, the bigger heads will not only try to read the skinny track but will also read some of the data that was supposed to have been overwritten by the high-density drive.

The only way to avoid these read errors is to format a new (unformatted) 5.25-inch disk in the high-density drive. Refer to your DOS user's manual for the proper command to format a 5.25-inch disk for 360K with a 1.2M drive. Use this disk to write any data that you want to transfer to the 360K drive.

Another problem can occur if you format a 360K, 5.25-inch disk as a 1.2M disk. DOS will allow this operation. Again referring back to table 10-5, you see that a 1.2M disk requires twice as much write current as a 360K disk. Writing this strong magnetic field on the iron oxide of a 360K disk will cause the bits written on the disk to change position. That is, adjacent opposite magnetic poles will migrate toward each other, and similar magnetic poles will migrate away from each other and your data will be lost.

The 3.5-inch drives do not have this problem, since the 1.44M disks have a high-density medium indicator

hole in the disk case. If you try to format a 720K, 3.5-inch disk as a 1.44M disk, DOS generates an error message.

A high-density disk can **never** be used in a low-density drive. The low-density drive cannot generate the required write current to write data on a high-density disk.

### FLOPPY DISK DRIVE INSTALLATION AND CONFIGURATION

The physical installation of a floppy drive in a personal computer is fairly simple. Remove the computer case, place the drive in the bracket supplied in the installation kit, and install the drive in the computer.

Configuring the drive for the computer is a bit more complicated. Most disk controller cards used in personal computers can control two floppy drives and two fixed disk drives. The floppy drives are usually daisy chained on the same cable to a single connector on the disk controller card. The drive electronics card has several jumpers including the following:

- Drive select jumper
- Terminating resistor
- Disk changeling/ready jumper
- Media sensor jumper

#### Drive Select Jumper

The drive select jumpers are located on the drive electronics card. They are usually labeled DS0, 1, 2, and 3. These designations are not standard and some manufacturers use different labels or numbers. The drive select jumpers could be labeled DS1, 2, 3, and 4.

Before you can properly configure the drive address, it is important to check the floppy drive cable. The cable has three connectors, one at each end and one in the middle. Carefully examine the cable to determine if pins 10 through 16 are twisted near the end of one

Table 10-6.—The 3.5-Inch Disk Densities and Coercivities

DISK TYPE	TRACKS-PER-INCH	BITS-PER-INCH	FERROUS MATERIAL	COERCIVITY (OERSTEDS)	TRACK WIDTH
720K Disk	135	8,717	Cobalt	665	.115 mm
1.44M Disk	135	17,434	Cobalt	720	.115 mm

connector. Configuration procedures are different when a twisted cable is used rather than a straight cable.

**INSTALLING A FLOPPY DRIVE WITH A STRAIGHT CABLE.**— To install a floppy drive with a straight cable to be used as drive A, set the drive select jumper to DS0. Connect the end of the cable to this drive. To install a second drive (drive B), place the jumper in the second position (DS1) and connect the drive to the middle connector of the cable.

**INSTALLING A FLOPPY DRIVE WITH A TWISTED CABLE.**— The twisted cable was developed by manufacturers to make assembling computers at the factory easier. With a twisted cable, both floppy drive select jumpers are set to DS1, and the twist in the cable provides the actual drive select. Table 10-7 shows how the twist works to select drives A and B.

To select a drive, both the motor enable signal and the drive select signal must be present. To select drive B, the controller would enable pins 12 and 16 and the drive would be turned on. To select drive A, the controller enables pins 10 and 14. Because of the twist, pin 10 is routed to pin 16 on drive A and pin 14 is routed to pin 12. Since drive A thinks it is drive 1, it turns on and works.

### Terminating Resistor

Also on the drive electronics board is a terminating resistor. The terminating resistor looks like a standard 14-pin DIP IC. It maybe labeled TR or T-RES. The terminating resistor provides the proper load to the disk controller card, but only the floppy drive at the end of the cable is terminated. The floppy drive connected to the middle of the cable should have the terminating resistor removed. To remove this resistor, simply pull it out of the socket. Some manufacturers solder the

terminating resistor in place and use a jumper to take it out of the circuit.

### Disk Changeline/Ready Jumper

The disk changeline/ready jumper is used to indicate the disk has been changed and therefore the directory must be reread.

### Media Sensor Jumper

The media sensor jumper is only found in 3.5-inch, 1.44M floppy drives. It enables the media sensor to inform a high-density drive when a 720K disk has been loaded into the drive. By sensing the type of disk loaded, the drive can control the write current for high- and low-density disks and prevent improper formatting of a disk. Enabling and disabling the media sensor varies with manufacturer, so you will need to refer to the installation instructions to properly configure the drive.

## FLOPPY DISK CARE AND HANDLING

Floppy disks are very durable and reliable with a minimum of care. Inserting a 5.25-inch disk in its storage envelope and storing the disk in a disk file box is the best practice for storing disks. The 3.5-inch disk's plastic case and shutter eliminate the need for the storage envelope. These are best stored in a disk file box designed for 3.5-inch disks. Other precautions for handling disks are illustrated in figure 10-9.

Referring to figure 10-9, precaution 4 states that you should keep disks away from machines with magnetic parts. We all know that the large power transformers aboard ships can generate electromagnetic fields that can damage disks. But these electromagnetic fields can be in places we don't ever think about. A

Table 10-7.—Interface connections between the Floppy Controller and Drives (Twisted Cable)

CONTROLLER PIN	FUNCTION	DRIVE B PIN	FUNCTION	DRIVE A PIN	FUNCTION
10	Motor enable for A	10	Select drive 0	16	Drive motor on
12	Select B	12	Select drive 1	14	Select drive 2
14	Select A	14	Select drive 2	12	Select drive 1
16	Motor enable for B	16	Drive motor on	10	Select drive 0

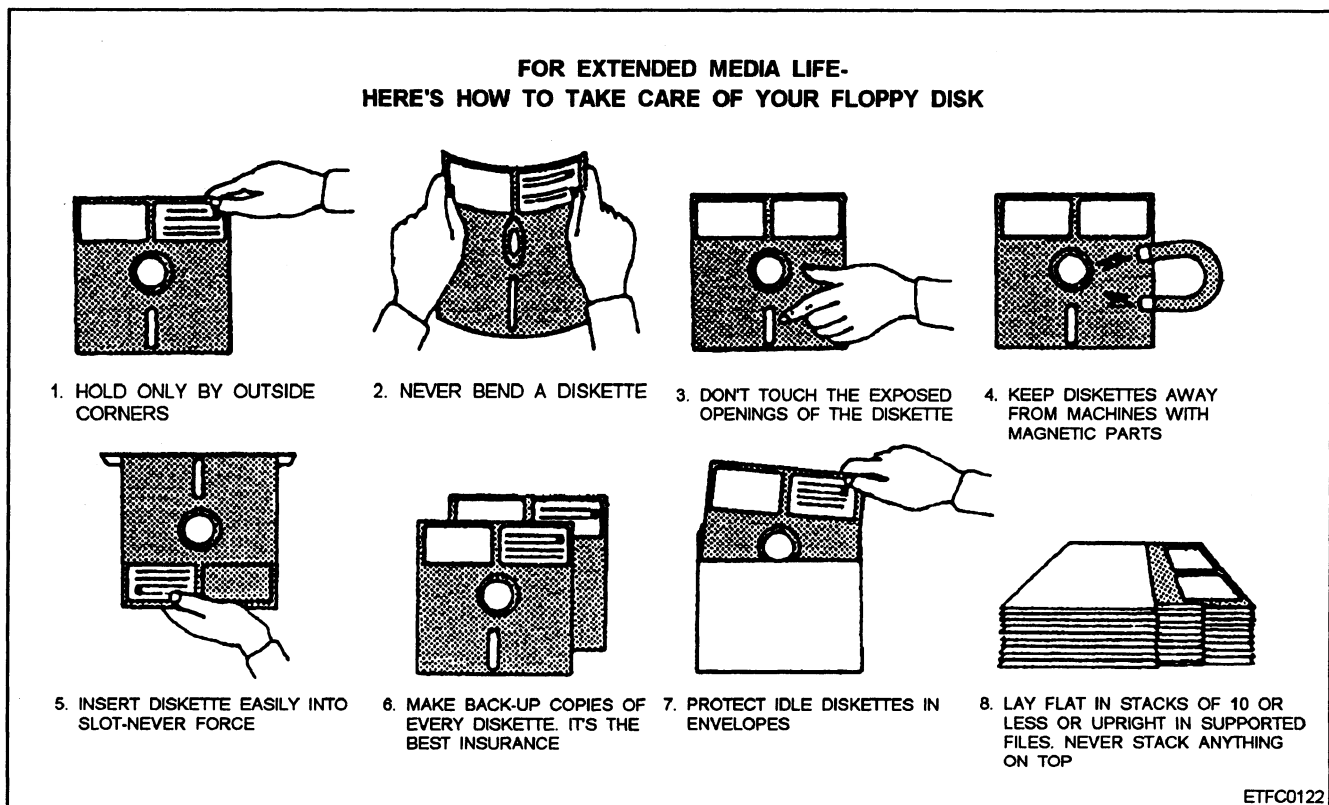


Figure 10-9.—Floppy disk handling precautions.

telephone with a bell ringer uses an electromagnet to ring the bell. If you keep a disk next to a phone, every time the phone rings a 90-volt electromagnetic field is generated around the phone. In time, the data on your disk will start to mysteriously disappear. Another hidden electromagnetic field is in the monitor connected to your personal computer. Almost all monitors manufactured today have an automatic degaussing circuit. This circuit is design to demagnetize the screen of the cathode-ray tube (CRT) by generating a large electromagnetic field every time the monitor is turned on. Again, your data starts disappearing.

Despite your best efforts to protect your disks, disaster can strike. For example, a cup of sugar and cream laden coffee spills on your 5.25-inch disk. You have no back-up copy of this disk and to reconstruct the data will take several weeks. What to do? The following procedure is considered an emergency recovery procedure and should be used only in emergency situations.

First, take the damaged disk and very carefully cut the top edge of the disk cover. Remove the disk and wash it in a mild detergent with very light pressure to avoid damaging the oxide coating. Rinse the disk thoroughly. Dry the disk by laying it flat on a lint free cloth and allow it to dry completely for at least 24 hours.

When the disk is dry, take a new disk and cut the protective cover and remove the disk. Throw away the new disk. We have to sacrifice the disk to get a clean cover. Place the damaged disk in the new cover and carefully tape the top closed. Insert the disk into the drive and copy the information onto another disk. Discard the damaged disk when you have finished copying it.

### TOPIC 3—DISK MEMORY SETS

Magnetic disk memory sets are mass storage systems used to store large amounts of computer data on interchangeable disk packs. A magnetic disk set can be configured to operate with shipboard or shore-based computers using parallel 16- or 32-bit CDS computer channels and is found in a variety of mainframe systems.

A magnetic disk memory set is composed of variable configurations of magnetic disk recorder/reproducers (disk unit controllers) and disk memory units (memory units) housed in air-cooled or water-cooled electronic equipment cabinets.

Our study of disk memory sets uses the AN/UYH-3 as the main example, but the functions described are similar to other disk memory sets used in the Navy.

The magnetic disk recorder/reproducer (RD) or disk unit controller contains the circuitry to control the reading and writing of data on a disk pack. It also controls the interface with the computer. The disk unit can control from one to four memory units (disk packs).

The memory units (MUs) contain only the logic circuitry to record data on and read data from their own disk packs. They do not contain controllers. They operate only as slave units to the disk unit controller.

### MAGNETIC DISK PACKS

The recording medium for a magnetic disk memory set is a removable disk pack made up of one to over ten 14-inch disks, depending on the type.

#### Disk Pack Construction

The disks are coated with magnetic iron oxide. The top and bottom platters of some disk packs are used as protection for the inner disks recording surfaces. The disk pack comes with a storage canister consisting of a top and bottom cover as shown in figure 10-10. The top cover is used to install the disk pack in the desired disk or memory unit and to remove the disk pack from a unit for storage. The bottom cover is removed just before installation of the disk pack and replaced after the disk

pack has been removed from a unit to protect the disk pack from physical damage and contamination.

#### Disk Pack Data Surfaces

Looking at a disk pack with five platters, the top and bottom platters are used to protect the six inside surfaces (fig. 2-10). Five of the six inner disk surfaces are used for data storage. Each recording surface contains 823 tracks. Of the 823 tracks, 822 are addressable and can be used for data storage with the remaining track being used for maintenance applications. The tracks occupy a 2-inch band around the circumference of the disk's recording surface. The individual tracks are .0026-inches apart. Each track can store 6,038 BPI with a storage capacity per disk pack (5 recording surfaces) of 640 million bits (megabits).

#### Disk Servo Surface

The sixth surface, called the servo surface, contains prerecorded dibits used to control the movement of the read/write heads to the desired position (cylinder) on the recording surfaces, and to maintain alignment of the read/write heads over the centerline of the track. Dibit is an abbreviation of a dipole bit. It is an analog bit with a positive or negative signal used to indicate odd or even tracks on the disk. As the read-only servo head moves

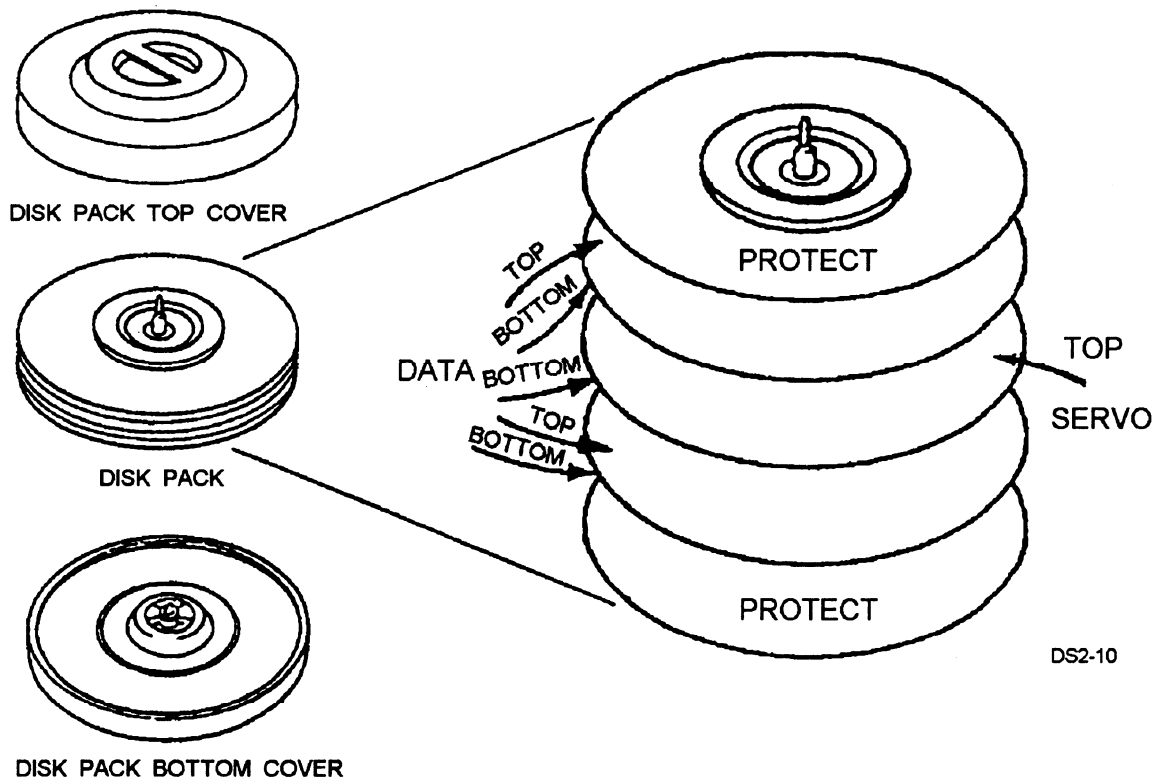


Figure 10-10.—A disk pack and storage canister.

across a track, the signal from the dipole bits are summed. When the result of this summing equals zero, or null, the heads are centered on track.

During a seek operation, the heads move across the dibit tracks, a counter is incremented for each track crossed. The heads continue to move until the counter reaches the desired track.

## DISK FILE UNIT CONTROLS AND INDICATORS

The disk memory set can be controlled from several control panels. These are as follows:

- Operator's panel
- Status/maintenance panel
- Disk status panel
- Power supply panel

### Operator's Panel

A typical operator's panel is shown in figure 10-11. It contains the switches and indicators used to turn the disk file or memory unit (MAIN POWER) and spindle drive motor (SPDL MOTOR) on, and to indicate the readiness of the disk drive (DISK STATUS) and controller (CONTROLLER STATUS) during and after the power on sequence.

The operator's panel also indicates the disk drive address (LOGIC UNIT). The READY indicator is lit when the disk rotation is up to speed, the heads are loaded, and no-fault conditions exist. It also indicates

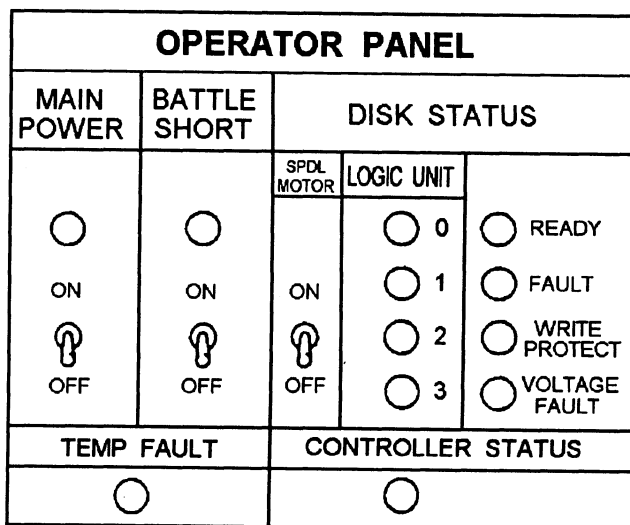


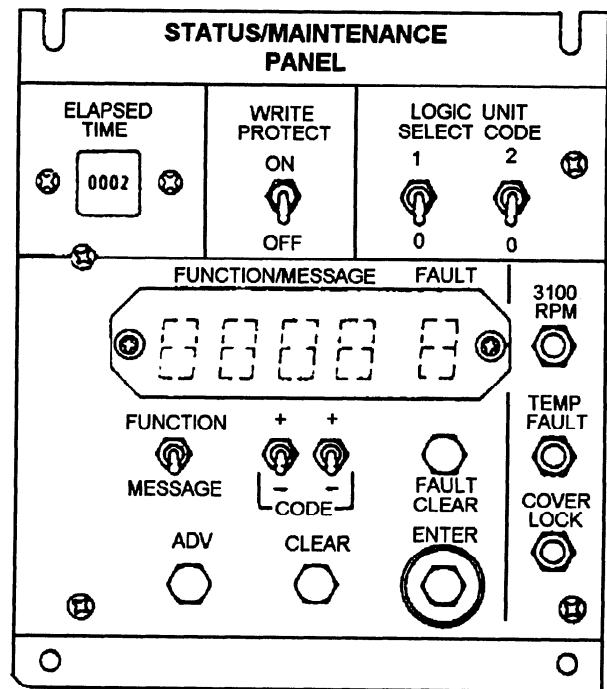
Figure 10-11.—A disk memory set operator's panel.

when the disk is protected from a write operation by switch action or fault condition (WRITE PROTECT). In addition the FAULT indicator indicates the detection of a variety of faults as defined by the STATUS/MAINTENANCE PANEL fault indicators.

### Status/Maintenance Panel

The status/maintenance panel, shown in figure 10-12, is found on the disk unit. The panel is controlled by a microprocessor and contains the ELAPSED TIME meter, the WRITE PROTECT (this unit's drive only) switch, the LOGIC UNIT SELECT CODE (disk drive address 0, 1, 2, or 3) switches, and some fault and status indicators for the disk drive (3,100 RPM, TEMP FAULT, COVER LOCK) The 3,100 rpm indicator is illuminated when the spindle has reached normal rotation speed. TEMP FAULT indicates an abnormal temperature condition. COVER LOCK indicates the spindle is rotating more than 175 rpm and the shroud cover is locked, a normal condition.

The remainder of the panel is used for operator command entry and status message display readout. The FUNCTION/MESSAGE digital display comprises four digits of the five-element display. The FUNCTION/MESSAGE readout is used to enter a large variety of hexadecimal coded operator commands or responses (FUNCTIONS), and for displaying controller coded displays (MESSAGES) for the operator or



ETFC0124

Figure 10-12.—A status/maintenance panel (disk unit only).

technician. The single-digit FAULT indicator displays one of eight fault codes as defined in table 10-8.

Table 10-8.—Status/Maintenance Panel Fault Codes

<b>FAULT CODE</b>	<b>CONDITION</b>
1	<u>Voltage fault</u> —Indicates one of the following undervoltage conditions exists: $\pm 5$ , $\pm 11$ , $\pm 20$ , $\pm 40$ vdc.
2	<u>Multiple heads selected fault</u> —Indicates disk logic has selected two or more heads at the same time.
3	<u>No heads selected fault</u> —Head number greater than 4 selected. Fault code is cleared only when a valid head is selected.
4	<u>(Write or read) and off cylinder fault</u> —Indicates a write or read is being attempted and heads are not properly positioned on selected cylinder.
5	<u>Seek error</u> —Indicates selected cylinder was not found in allowed time, or a cylinder address greater than 336 hex was selected.
6	<u>Servo track fault</u> —Loss of servo track. Indicates that dibit signals were not detected for 350 msec. Pressing FAULT CLEAR turns off indicator and loads heads.
7	<u>Both read and write fault</u> —Indicates that both read and write circuits are active at the same time.
8	<u>Write fault</u> —A write problem exists on the write driver.

## Disk Status Panel

The disk status panel, shown in figure 10-13, is found on the memory unit (MU). It performs the same functions as a status/maintenance panel with the exception of the FUNCTION/MESSAGE and FAULT readout. As the memory units do not have a controller, the readout is replaced by a number of FAULT indicators and a CLEAR push button. The faults indicated are the same as the eight fault readout conditions listed in table 10-8. The CLEAR pushbutton does not clear the fault condition, it clears the indicators only if the fault condition causing the indication has been corrected.

Some disk memory sets have a FORMAT WRITE PROTECT switch. It is designed to protect the disk packs from being inadvertently formatted when the pack contains data that would be lost. When the switch is in the ON position, disk pack testing commands from the CDS computer and formatting commands from the CDS computer or the STATUS/MAINTENANCE panel are rejected. If the disk memory set in your system has this switch, it should be left in the ON position except when a disk pack is being tested or formatted.

## Power Supply Panel

The power supply panel shown in figure 10-14 contains switches for MAIN POWER and for advancing the FAULT DISPLAY (FAULT ADVANCE) in the event of multiple power supply faults. A two-digit FAULT DISPLAY displays a two-digit code indicating POWER ON status or fault condition.

## DISK MEMORY SET CONTROLLER

The controller has five functional areas as shown in figure 10-15. They are as follows:

- Microprocessor
- Buffer memory
- Controller to disk drive interface
- Data bus control unit (DBCUC)
- CDS channel interface

## Controller Intercommunications

The functional areas of the controller are interfaced by a bus arrangement. Two buses are used: (1) the processor input and output bus and (2) the data bus. All data and commands to/from the microprocessor move

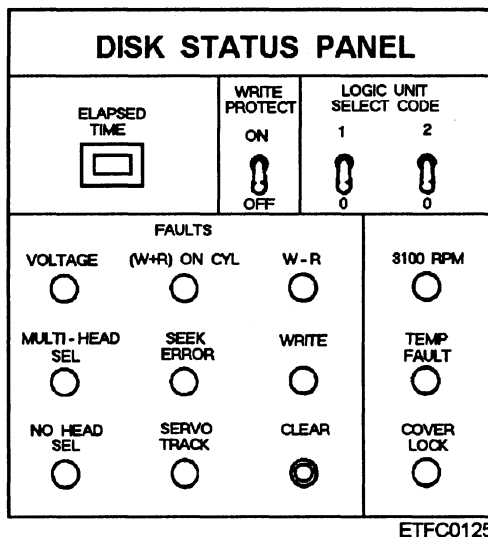
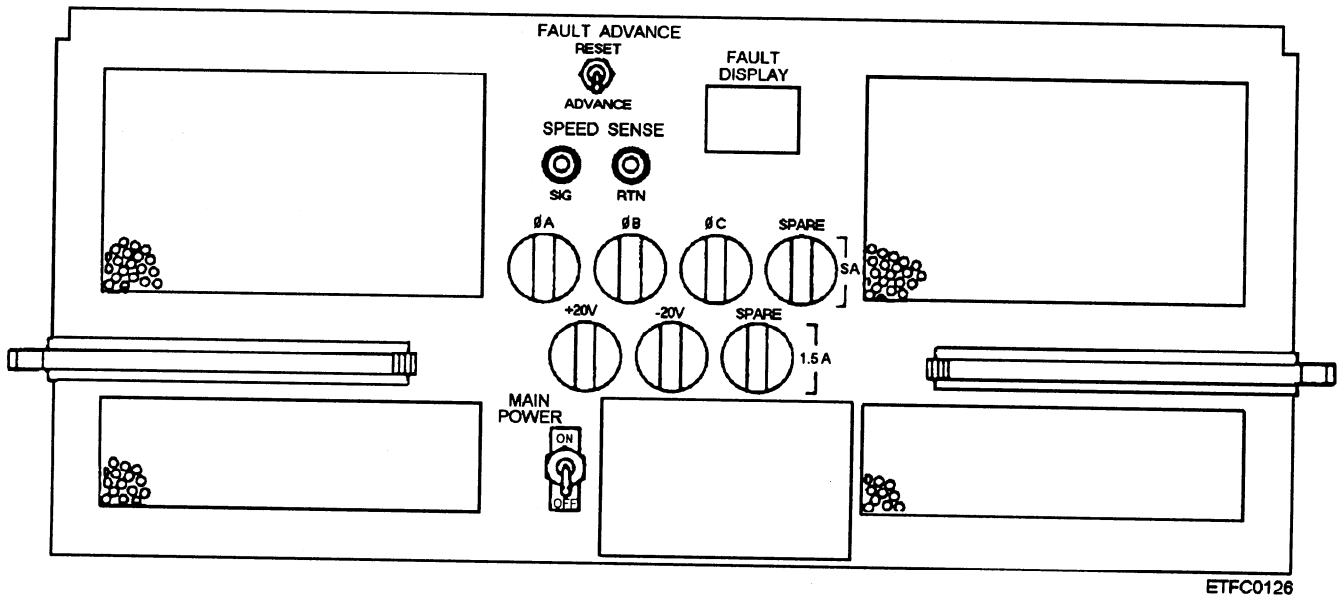
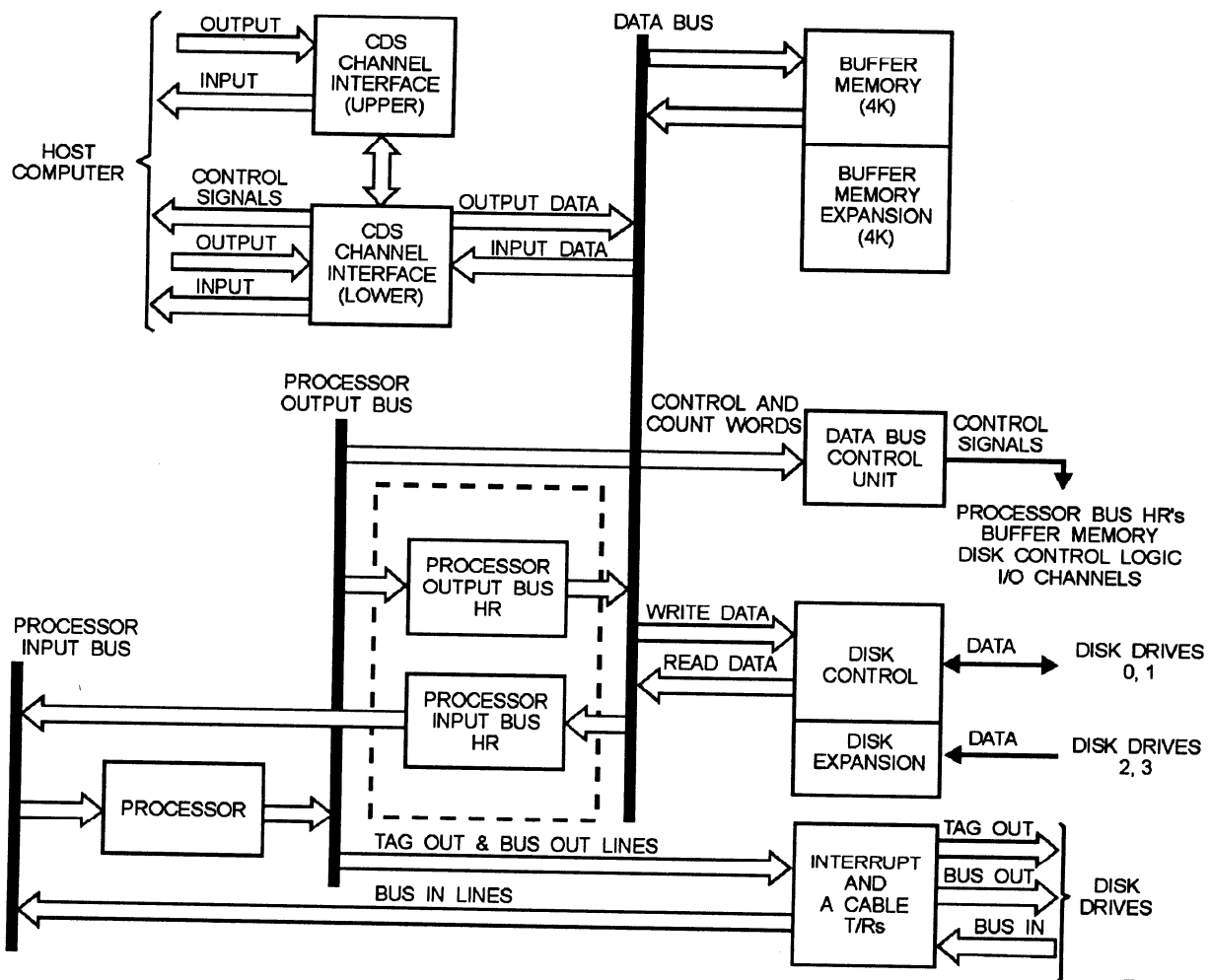


Figure 10-13.—A disk status panel (memory unit only).



ETFC0126

Figure 10-14.—A power supply panel.



ETFC0127

Figure 10-15.—A controller block diagram.

on the processor input or output bus. The processor input and output bus allows the microprocessor to communicate directly with the disk drives and the data bus control unit. Two holding registers, the processor input bus holding register and the processor output bus holding register, allow the microprocessor to receive data from and send data over the data bus.

The 16-bit bidirectional data bus is used primarily to transfer read/write data, external function commands, interrupt codes, and status codes between the CDS channel interface, buffer memory, the disk control logic, and the microprocessor bus holding registers. The data bus control unit, under control of the microprocessor, directs the flow of data over the data bus.

### Microprocessor

The microprocessor controls the overall operation of the controller circuitry and therefore the overall operation of the magnetic disk set. All communications between the microprocessor and other elements of the controller pass over the processor input or output buses.

The actions of the microprocessor are governed by 8,192 microinstructions stored as firmware in read-only memory (ROM) or micromemory. Address logic in the microprocessor determines which instructions will be read out of micromemory and executed. Under normal operation, a microinstruction is read out of micromemory and executed every 250 nanoseconds. The address of the next microinstruction to be executed may be conditional, depending on the presence or absence of a condition, signal, or interrupt, or the next instruction to be executed may be unconditionally specified by the current microinstruction.

A large variety of hardware conditions is sensed by the microprocessor logic in determining the microinstruction to be executed. Much of the information used by the microprocessor is contained in a look-up table. The look-up table is a 2,048 address ROM containing the following information: micromemory jump addresses, data masks, constants, and code conversion tables for the status/maintenance panel function/message codes.

Additional random access memory (RAM) is provided by 256 16-bit words of RAM called the FILE. The file is used for temporary storage of diagnostic test parameters and other variable quantities during operation of the magnetic disk set.

### Buffer Memory

Buffer memory is used to prevent the loss of data when reading from or writing onto disk. The CDS channel interface and the disk drives may operate at different speeds. A direct transfer from the channel interface to the drive could result in the loss of data. The 4,096 16-bit addresses of buffer memory, expandable to 8,192 addresses, are used as a temporary storage area for blocks of data when performing read or write operations.

During a write operation, data is transferred from the CDS channel interface over the data bus to the random access buffer memory and stored in blocks. The blocks of data are then transferred a word at a time over the 16-bit data bus to the disk control logic and written on disk. The opposite applies in a read operation. Data is read from disk and transferred into buffer memory and then transferred to the channel interface for input to the computer. Read and write operations do not occur at the same time.

### Controller to Disk Drive Interface

The controller to disk drive interface provides for control of up to four disk drives, one internal to the disk unit and up to three drives installed in memory units. As shown in figure 10-16, there are two separate

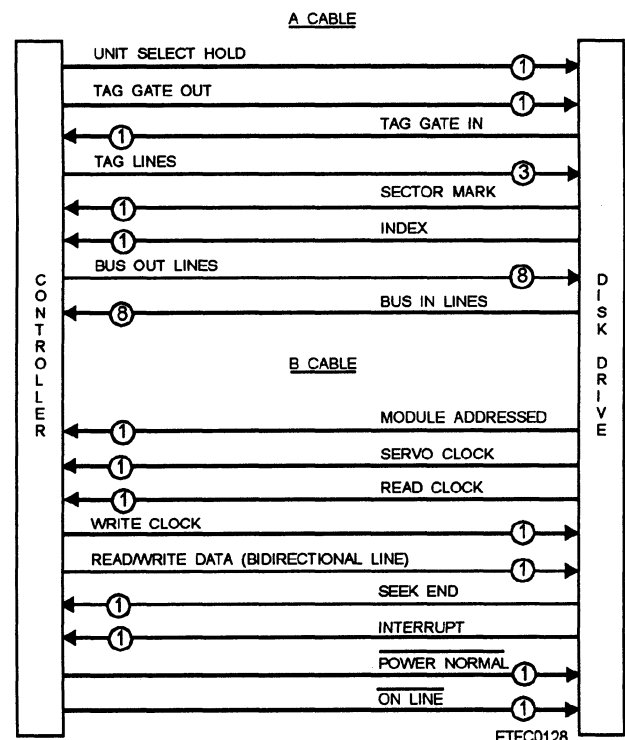


Figure 10-16.—A cable and B cable interfaces and signals.



interfaces with each disk drive, one from the microprocessor called the A CABLE and one from the disk control logic called the B CABLE. The two interfaces combine to provide all timing, control, and data lines needed for disk drive operation.

**THE A CABLE.**— The A cable connects the disk drives to the processor input and output buses. The disk drives are daisy chained on the A cable and only the selected drive will respond to the microprocessor commands.

The A cable is used for microprocessor control of the drives. The microprocessor passes commands to the drives using three command lines called TAG lines and eight BUS OUT lines. The three-bit TAG CODE on the tag lines identifies the type of command while the bus out lines carry the command code or address data to the drives.

Status data from the selected disk drive is passed over eight bus in lines to the microprocessor. Additional sector mark and index signals are sent from the selected drive to the microprocessor.

**THE B CABLE.**— The B cable connects the individual disk drives with the disk control logic. Each disk drive has its own unique B cable.

The B cable is used for read/write operations. The selected disk drive (A cable under microprocessor control) sends a MODULE ADDRESSED signal to the disk control logic indicating it has been selected. The selected drive provides a SEEK END signal indicating it has positioned the heads over the addressed cylinder and an INTERRUPT signal indicating the start of the addressed sector. Both the seek and sector addressing operations are controlled by the microprocessor over the A cable.

Timing for the read/write operations is provided by the SERVO CLOCK and READ or WRITE CLOCK signals. The servo clock originates from reading the servo track dibits on the servo surface of the disk pack. The servo clock provides the basic timing for the read/write operations. The read clock is generated by the disk drive during the read operation and is used to control the transfer of the serial read data from the drive to the disk control logic. The write clock is generated by the disk control logic during a write operation and is used to control the transfer of serial data over the bidirectional line to the disk drive.

**DISK CONTROL LOGIC.**— The disk control logic is used during read/write operations. Its two major functions are (1) to convert the parallel 16-bit

data words from the data bus into a serial nonreturn-to-zero (NRZ) pulse train (B cable) when writing to disk and (2) to convert the NRZ pulse train coming from the selected disk into parallel 16-bit words for output on the data bus during read operations.

The disk control logic is enabled by the microprocessor and provides requests to the DBCU for data transfer with buffer memory when reading or writing. Overall timing for read and write operations is provided by the SERVO CLOCK signal. The SEEK END and INTERRUPT signals (B cable) notify the disk control logic when to begin read/write operations.

### **Data Bus Control Unit (DBCU)**

The data bus control unit (DBCU) controls the transfer of data from source to destination on the data bus. The microprocessor defines the source, destination, and number of words to be transferred (buffer length) to the DBCU. The DBCU transfers the data a word at a time from the specified source to the specified destination until the transfer is complete.

The DBCU contains a control file and a count file that contain the necessary information to control the data exchanges. The control and count files are loaded by the microprocessor definition commands. Once the files are loaded, the actual data transfers occur on a request basis. The requests for data bus transfers are handled on a priority basis. The highest priority transfers are between the disk control logic and buffer memory (read/write operations). Next come the processor input and output holding register requests and the lowest in priority are the input/output channel requests.

### **CDS Channel Interface**

The CDS channel interface controls all data exchanges between the magnetic disk set and the CDS computer. The interface can be configured for up to four 16-bit or 32-bit parallel input/output channels. Basic I/O operations including external functions, interrupts, and input/output data transfers are controlled by the interface logic.

### **DISK DRIVE UNIT**

The addressable disk drives (0, 1, 2, 3) contain the electromechanical portions of the magnetic disk set and the read/write circuitry. The disk drive performs the actual recording and reading back of data as commanded by the controller logic contained in the disk

unit. The controller selects the desired head and direct seeks the read/write head assemblies to the selected cylinder position. During a write operation, data is output from the controller buffer memory to the disk write circuitry and recorded on the disk using the modified frequency modulation (MFM) encoding method. Modified frequency modulation encoding is covered in detail later in this chapter. During a read operation the drive recovers data from the disk and transfers it to the controller.

The disk drive uses a motor driven belt and pulley arrangement to rotate the mounted disk pack at a speed of 3,600 rpm  $\pm$ 3.5%. The speed of disk pack rotation is monitored by a spur gear and photocell arrangement.

The read/write heads, five addressable read/write heads, and one read-only head (servo head) are mounted on arm assemblies controlled by an actuator assembly. The disk pack must be rotating above 3,100 rpm before the actuator assembly will load the heads or move them over the recording surfaces. The heads are designed to float above the disk pack recording surfaces on the air cushion provided by the high-speed rotation. Any contact between the read/write heads and the disk recording surfaces will result in a head crash and damage to both heads and recording surfaces. The heads are automatically unloaded or retracted if the drive motor power is turned off or the rotation speed of the disk pack drops below 3,100 rpm.

The movement of the read/write heads to the desired cylinder position is controlled by a closed-loop servo system. Prerecorded data written on the servo surface is used to (1) determine the present position of the read/write heads, (2) control the movement of the read/write heads when seeking a new cylinder, and (3) maintain alignment of the heads to the tracks on the recording surfaces when data is being read or written.

The disk drive is divided into the following electronic and electromechanical assemblies and functional areas:

- Drive motor assembly
- Spindle assembly
- Speed sensor
- Actuator assembly
- Velocity transducer
- Head/arm assemblies
- servo circuit

- Track servo circuit
- Read/write circuits

## **Drive Motor Assembly**

The drive motor, which drives the spindle assembly, is a 1/2-horsepower induction motor. Power is transferred to the spindle via a flat, smooth surfaced belt that connects the pulleys of the spindle and drive motor. The speed of the drive motor is sensed by an optical switch and controlled by the motor supply module in the power supply.

## **Spindle Assembly**

The spindle assembly is the physical interface between the disk drive and the disk pack. The surface of the disk pack mounting plate on the spindle mates directly with the center of the disk pack. Mating surfaces of the disk pack and spindle are engaged by rotating the cover handle of the disk pack when you install the pack in the drive. When the pack and the spindle are fully engaged, the canister cover is released from the disk pack. You can then remove the cover.

The spindle is driven by the drive belt, which connects the spindle to the drive motor pulley. A static ground spring is mounted at the lower end of the spindle assembly to protect against the buildup of a static charge. A spur gear is mounted on the lower end of the spindle drive shaft. The teeth of the gear pass through the optical switch and are used as part of the speed sensor.

## **Speed Sensor**

The speed sensor monitors and controls the rotating speed of the spindle and its attached disk pack. The speed sensor is made up of the spur gear and the speed sensor photocell in the optical switch. The teeth of the spur gear pass through and interrupt the light path between the emitter lamp and photocell. The pulsed output generated by the speed sensor is sent to the power supply module. The power supply varies the drive motor current to control the speed of the drive motor and to maintain spindle speed within the required limits.

## **Actuator Assembly**

The actuator assembly is the mechanism that supports and moves the head/arm assemblies. The actuator is made up of a carriage and voice coil

assembly, a rail bracket assembly, and a magnet assembly.

The carriage is attached to the voice coil. The carriage supports the head/arm assemblies and provides the vehicle for head/arm positioning. The voice coil moves the carriage in (extended) or out (retracted) as determined by servo logic commands.

The rail bracket assembly provides a stable support and guide for carriage movement. The carriage bearings move along the upper and lower carriage rails as the carriage is extended or retracted by the voice coil.

The magnet assembly is a very strong permanent magnet that forms the core of the voice coil and is used to mount components of the velocity transducer.

### **Velocity Transducer**

The velocity transducer helps to control the acceleration and deceleration of the carriage assembly during seek operations. The transducer coil has a voltage induced in it by the motion of the transducer core attached to the carriage. The voltage polarity and amplitude are sensed by an operational amplifier and used to indicate the direction and speed of carriage assembly movement to the servo circuit logic.

### **Head/Arm Assemblies**

There are six head/arm assemblies in each disk drive. One of the head/arms holds the read-only servo head. The other five assemblies hold read/write heads. The servo head/arm assembly and two of the read/write head/arm assemblies are upper surface head/arm assemblies. The three remaining read/write head/arm assemblies are lower surface head/arm assemblies.

The read/write heads are mounted on cam controlled head load springs. As the head/arm assemblies are loaded (extended) the head load springs apply force (loading force) to the read/write heads to move them toward the rapidly spinning disk surface (3,100 rpm minimum). The air cushion above the surface of the disk causes the head to float above the recording surface. As the head assemblies are unloaded (retracted), the head spring loading force is restricted by the cams and the heads are moved away from the recording surface.

### **Servo Circuit**

The servo circuit is a closed-loop servo system. It is used to move the read/write heads to the desired

(addressed) cylinder when commanded by the controller. The servo circuit is designed to maintain a NULL or 0 voltage when the heads are in the correct cylinder position. A position error signal is used to indicate when the heads are not in the proper cylinder location. The position error is fed to the voice coil and results in carriage movement toward the addressed cylinder. A feedback signal is developed using the velocity transducer to oppose the position error and to dampen carriage movement for smoother operation.

### **Track Servo Circuit**

The track servo circuit is used for maintaining head position over the track centerline. The track servo circuit positions the read/write heads based on information obtained from the servo tracks written on the servo surface of the disk pack. The read-only servo head reads the data written on the servo tracks and is positioned accordingly. The read/write heads mounted above (heads 0 and 1) and below (heads 2, 3, and 4) the servo head are physically aligned to the servo head. By positioning the servo head, all read/write heads are positioned over the center of the connect track on their respective recording surface of the cylinder.

### **Read/Write Circuits**

The read/write circuits perform the following functions:

- When writing, they (1) convert serial NRZ signals from the disk control logic to MFM data signals, and (2) generate and control drive current to the write heads for developing the flux fields used to store information on the disk surface.
- When reading, they (1) detect flux changes from the disk, (2) convert the analog MFM signals to digital MFM data, (3) convert MFM data to NRZ serial pulse train and send it to the disk control logic, and (4) generate the read clock signal.

### **DISK MEMORY SET OPERATIONS**

The disk memory set receives data from the host computer for storage on the disk and retrieves data from the disk and transfers it to the computer. Because of the relatively fast access time of the disk memory set, the host computer uses the disk as temporary storage of data as well as permanent storage of programs and data. Before a disk can be used, it must first be formatted.

## Disk Formatting Operations

Disk memory sets can format disks in a variety of modes to match the host computer's operating system. The formatting of a disk pack is very similar to that of a floppy disk in that the tracks and sectors are written on each data surface. The locations of the tracks are controlled by the servo tracks that are prerecorded on disk surface. The number of sectors per track is selectable by either the SECTOR SELECT switch or a set sector size command from the computer. In the file management mode, the disk will have nine sectors per track, with 512 32-bit words per sector.

Formatting a disk can be done offline using the status/maintenance panel entries or online using the format disk command. A disk pack can be partitioned so that part of the disk pack is formatted in one mode and another part of the disk pack is formatted in a different mode. If a disk pack is partitioned, the operating system must be able to operate with the two modes.

## Write Operation

A write operation is initiated by the computer via an external function. This external function defines how many words are to be written and where on the disk they will be written. The disk memory set then receives the data and stores it in buffer memory.

Once the proper cylinder and track have been reached, the first word is transferred from buffer memory to the write data holding register. The write data holding register transfers the data to a shift register that converts it to a nonreturn to zero (NRZ) serial pulse train. This serial data is then sent to the disk drive's NRZ-to-MFM converter via the B cable read/write data line.

The NRZ-to-MFM converter converts the pulse train into MFM data and sends it to the write drivers.

The write drivers develop the proper write current for the heads to record data on the disk. When the entire word is written, a signal is sent to the controller, indicating that the disk is ready to write the next word and the cycle is repeated.

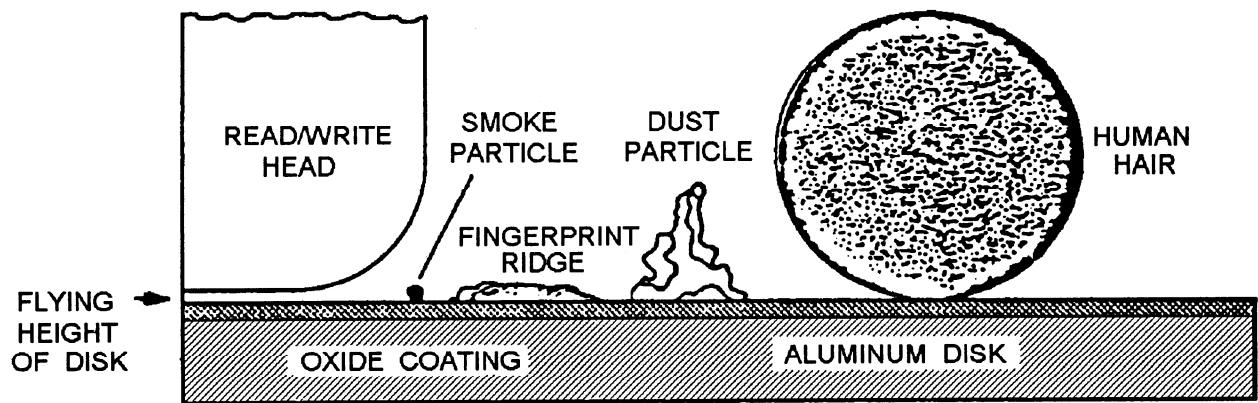
## Read Operation

A read operation is also initiated by an external function defining cylinder, track, head, and number of words to be read from the disk. The heads are positioned to the right cylinder address, and the data is read from the disk. The serial MFM data is converted to a digital NRZ pulse train and sent to the controller's shift register.

The shift register gates in each bit and transfers the data to the read data holding register. The read data holding register transfers the word to the buffer memory where it is stored until it is transferred to the computer.

## MAGNETIC DISK PACK CARE AND HANDLING

Because of the rotation speed of the disk pack in a disk memory set, the heads are designed to float or fly on a cushion of air. The distance the heads fly above the disk is called the flying height of the heads. As densities of disks have increased, the flying height of the heads has decreased to a point where any contaminant is larger than the flying height of the head. Figure 10-17 shows an example of the flying height of the head compared with common contaminants such as smoke, dust, fingerprints, and hair.



DS2-17

Figure 10-17.—The flying height of a disk read/write head compared to common contaminants.

## WARNING

Never attempt to remove a disk pack from a drive until all rotation of the disk pack has stopped.

The following guidelines will help you keep your disk pack in peak condition:

- Always keep the disk pack in its container when it is not being used.
- Reassemble the disk pack canister, even when it is empty.
- Never touch the disk pack's recording surfaces.
- Do not expose the disk pack to stray magnetic fields.
- Always store a disk pack flat. Never store a disk pack on its edge.
- Store the disk pack in the same environment in which the disk memory set operates.

#### TOPIC 4—FIXED HARD DISK SYSTEMS

Fixed hard disk systems are commonly found in minicomputers and microcomputers. They are called fixed disks because the disk is enclosed in a sealed case and is inaccessible to the user.

The technology of these disk drives is one of the fastest changing in the computer world. In the 14 years that fixed disks drives have been in common use,

capacities have increased from 10 megabytes on a 5.25-inch full height drive, to over 10 gigabytes on a 3.5-inch half height drive. Additionally, data transfer rates have increased ten-fold, while the average seek times have decreased from more than 85 milliseconds (ms) to less than 10 ms. The cost of these systems has also decreased significantly. A 10 MB drive originally cost about \$1,500.00 or an average of \$150.00 per megabyte of disk space. Today the cost is less than \$0.25 per megabyte.

#### FIXED HARD DISK DRIVE CONSTRUCTION

Most fixed disk systems have the same basic components and similar operational characteristics. A typical hard drive's components include:

- Disk platters
- Head actuator assembly
- Read/write head assembly
- Cables and connectors

The heads, head actuator, and platters are usually contained in a sealed unit commonly referred to as a head disk assembly (HDA). The HDA requires a dust free environment when opened to avoid contaminating the disk. Figure 10-18 illustrates atypical fixed disk.

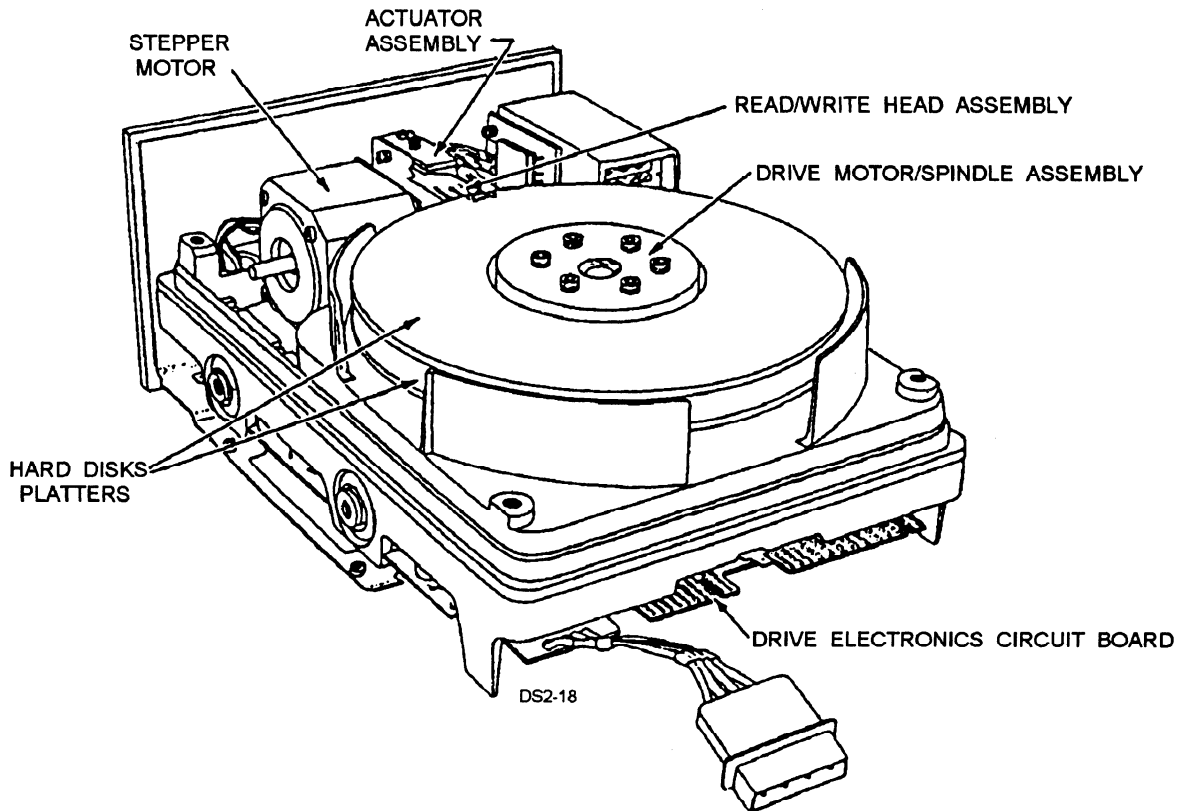


Figure 10-18.—A typical fixed disk drive assembly.

## Disk Platters

The size of the disks platters varies, depending on intended use, capacity, and speed. Sizes of the disk platters commonly used are 5.25-inch, 3.5-inch and 2-inch.

Fixed disk systems may contain from 1 to 11 platters, depending on size and capacity. The number of platters in a drive is limited by the size of the drive. Half-height 5.25- and 3.5-inch drives contain a maximum of eight platters. Full-height drives are currently limited to 11 platters. Since the platters are sealed in the HDA, all of the surfaces are used for data storage.

Platters are made of aluminum alloy metal coated with a magnetic material (medium). The two most common media for fixed disk platters are iron oxide and thin film.

**IRON OXIDE COATED PLATTERS.**— Iron oxide platters are found in many older low-density drives. The oxide is applied to the platter, then cured and polished. The iron oxide is generally applied to a thickness of 30 millionths of an inch. After the platter is polished, a protective lubricant is applied to help prevent damage caused by head crashes.

**THIN FILM COATED PLATTERS.**— Thin film coated platters can hold much greater data densities because the magnetic coating is much thinner and more perfectly formed than the iron oxide coating. Two processes, plating and sputtering, are used to manufacture thin film disks.

**Plating** —Plating is a process in which the medium is applied to the disk using an electroplating mechanism. The final layer is a cobalt alloy of approximately 3 millionths of an inch.

**Sputtering** —Sputtering is a process in which the cobalt alloy is applied in a near vacuum. The magnetic material, as thin as 2 millionths of an inch, is deposited on the disk in much the same way metallic films are applied to silicon chips in the creation of semiconductors. A hard carbon coating is then applied to protect the disk.

The result, on both plated and sputtered disks, is an extremely thin and hard medium on the disk. The hard surface increases the probability that the disk will survive a high-speed head crash with little or no damage.

## Head Crash Effects

A head crash occurs whenever the heads come in contact with the disk's surface. Severe damage can occur if the heads crash with the disk spinning at full speed. The heads can scratch the oxide material or the heads themselves can be damaged. Whenever the disk is powered down, there is a minor head crash as the disk slows down. Many fixed disks have a designated landing zone for the heads, but you have to position the heads in this landing zone. To do this you should run a program designed to park the heads in this landing zone before removing power.

The thinner medium requires a smaller space on the disk to store data. Also the heads can fly closer to the disk, further reducing the space and magnetic field strength required to accurately store data and increase densities.

## Read/Write Heads

The read/write heads used in fixed disk systems are very similar to the read/write heads on the disk memory set. There is one head for each disk surface. These heads are joined to the head actuator and move in unison across the disk. There are currently two types of heads in use: the composite ferrite head and the thin film head.

**COMPOSITE FERRITE HEAD.**— The composite ferrite head is the traditional type of head used in magnetic recording. It consists of an iron oxide core wrapped with electromagnetic coils. To write data on the disk, an electric current is passed through the coils and a magnetic field is induced on the ferrous material of the disk surface. Changing the direction of current flow through the head's coil will result in a reversal of the magnetic field on the disk.

**THIN FILM HEAD.**— The thin film head is actually a specialized integrated circuit chip. The head has a precise U-shaped groove in its bottom to allow the right amount of air pressure for the head to fly at the proper height. This lightweight head flies closer to the disk than the composite ferrite heads.

A thin film head's flying height can be as little as 5 millionths of an inch above the disk. The closeness of the head to the platter increases the signal-to-noise ratio, which increases the accuracy of the disk system.

## Head Actuator Systems

The mechanical system that moves the heads across the disk is known as the head actuator. These mechanisms have to be extremely precise to position the heads over the proper cylinder. The two types of head actuators are called stepper motor actuators and voice coil actuators.

**STEPPER MOTOR SYSTEMS.**— The stepper motors used in fixed disk systems are very similar to the ones used in floppy disk systems. The stepper motor is generally located outside of the HDA, with just the shaft of the motor penetrating the HDA. Attached to the shaft is a steel band. The other end of this band is attached to the head/arm assemblies. As the motor moves through its detents, the band will wind or unwind around the shaft and move the heads.

A stepper motor in a fixed drive system has two major disadvantages. It is temperature sensitive and the band can stretch over time. Ambient air temperature can cause minute changes in the size of the disk and stepper band. Since the tracks on a fixed disk can be 1/1000th of an inch, these size changes can be significant enough to cause a loss of data. A new drive should be allowed to reach operating temperature before it is formatted. This will ensure that the data will be centered on the tracks unless there is a drastic change in temperature.

The band that connects the head/arm assembly with the stepper motor shaft is made of steel and can stretch over time. Again this will cause the heads to be misaligned with the tracks. A good safeguard against losing data to this problem is for you to backup the data and do a low-level format once a year.

**VOICE COIL HEAD ACTUATOR.**— A voice coil head actuator works in the same way that an audio speaker does. An electromagnetic coil is connected to the head/arm assembly. As current is applied to the coil, it moves along a track and moves the heads. Movement of the heads in a voice coil actuator is very smooth, but the heads need a signal to tell them when to stop at the right track. One side of one of the disk platters can be dedicated to head positioning by having servo tracks permanently written on it. The heads are then positioned in a manner similar to the disk memory set. Another method of head positioning used in voice coil actuators is to embed the servo signals in the sector gaps of the data tracks. This eliminates the need for a dedicated surface.

Voice coil actuators have several advantages over the stepper motor actuators. Since the heads are positioned in relationship to the control signal on the disk, they are not temperature sensitive. The heads of a voice coil actuator are self-parking. When power is removed from the drive, the electromagnetic field that positions the heads collapses causing the heads to retract to the park position.

## Spindle Motor

The spindle motor actually spins the disks. A direct drive system is used in all fixed disk drives. Originally, 3,600 rpm was the standard speed used by almost all fixed disk systems. Today, the speeds range from 3,600 rpm to 7,200. The spindle motor is controlled by a tachometer and feedback loop that monitor and adjust the speed of the motor.

## Logic Boards

All fixed disk drives have at least one logic board. Logic boards provide power to the motors and actuator, and monitor the speed of the disk. They also perform data conversions to a form usable by the controller.

## DATA ENCODING METHODS

Data is stored on the disk by changing the direction of the magnetic field or flux reversals. The flux reversals generate pulses when being read from the disk. Flux reversals are sensed as a positive to negative or negative to positive pulse. In storing data in nonreturn to zero format, a flux reversal would indicate a logic ONE and no flux reversal would indicate a logic ZERO. When reading data from a disk drive, the drive and the disk controller must be synchronized for proper operation. The disk controller uses the flux reversal pulses as timing and synchronization signals in addition to data. Therefore, if a long string of zeros are being read from the disk, the possibility exists that the controller could “get lost” because of a lack of pulses. To prevent a loss of synchronization, several methods of encoding data have been developed. These are as follows:

- Frequency modulation (FM)
- Modified frequency modulation (MFM)
- Run length limited (RLL)

## Frequency Modulation (FM)

Frequency modulation (FM) is the simplest method of encoding data to include enough timing pulses so that the controller and disk drive remain synchronized. Using FM, each data bit is split into two clock periods. A logic ONE is encoded as two pulses or flux reversals. A logic ZERO is encoded as a pulse followed by no pulse. Therefore the byte 11000101 would be encoded on the disk as PPPPNPNPNPPPNPP (P = pulse, N = no pulse).

FM is an effective method for encoding data, but it wastes a lot of space on the disk. To maximize data storage on the disk, a method is needed that reduces the number of pulses yet does not allow too many no pulse time periods.

## Modified Frequency Modulation (MFM)

Modified frequency modulation (MFM) refines data encoding to reduce the number of pulses written on the disk. Using MFM, a logic ONE is always encoded as no pulse followed by a pulse. A logic ZERO, when preceded by a logic ONE, is encoded as two no pulses. A logic ZERO, when preceded by another logic ZERO, is encoded as a pulse followed by no pulse. Using MFM, the byte 11000101 would be encoded NPNPNPNPNPNPNPN for a total of six pulses or flux reversals on the disk. Compare this with the 12 pulses required to store the same data using FM.

MFM is currently used with all floppy drives, most large disk memory sets, and many fixed disk systems.

## Run Length Limited (RLL)

The run length limited encoding schemes take data encoding to a new level. Usually the RLL specification will be followed by two numbers such as 1,7 or 2,7. These numbers represent the minimum and maximum run of 0 bits between two 1s. The most common RLL scheme is RLL 2, 7.

RLL 2,7 is a complex encoding scheme that groups bits together and uses a table to encode the data in these groups. For example, 1100 is encoded as NNNPNNN, 1101 is NNPNNPN, and 111 is NNNPN.

RLL increases the density and transfer rate of data by 50 percent. A 20M MFM drive can store 30M if formatted as an RLL drive. Whether a drive is MFM or RLL depends on the controller and not the drive.

## FIXED DISK CONTROLLERS

The disk controller determines what encoding scheme will be used and interfaces the disk with the computer. You can change the disk controller to make a 20M drive into a 30M drive by changing from an MFM controller to an RLL controller.

RLL encoding requires that the drive work harder; therefore, be sure your drive can handle the demands of a new controller. Of particular concern is the type of head actuator and the magnetic medium of the drive. Stepper motor head actuators are slower and the problems they can encounter with temperature can cause the drive to be very unreliable if formatted as an RLL drive. Iron oxide medium has a lower signal-to-noise ratio than the thin film medium. The noise picked up by the heads can be interpreted as data and result in read errors.

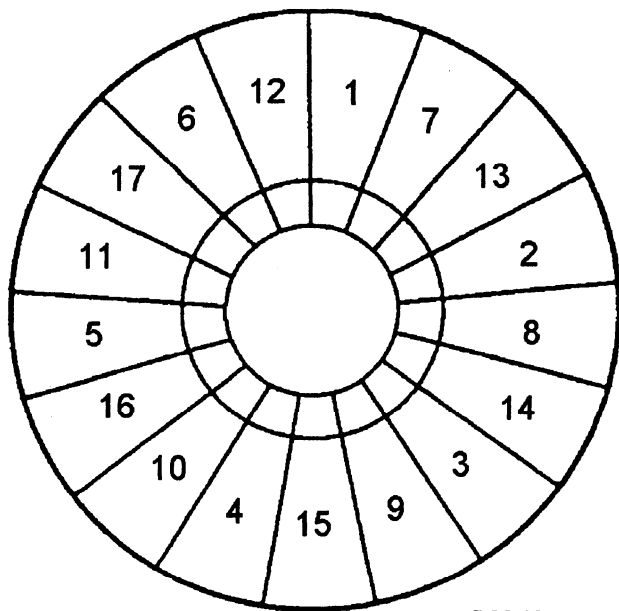
## FIXED DISK INTERLEAVE FACTOR

The interleave factor is a method of numbering the sectors on a fixed disk to provide the optimal transfer of data between the controller and the computer. When a fixed disk is formatted, sector numbers are written on each track. Interleaving refers to the relationship between the physical sectors on a track and the logical sectors on a track. Each sector on a fixed disk in a personal computer has 512 bytes per sector. Most files are larger than 512 bytes; therefore, it is assumed that if you want to retrieve the data at cylinder 225, sector 1, you will next need the data in sector 2. Since the fixed disk spins at 60 revolutions per second, the heads read data at 512 bytes per sector, 17 sectors per track or a data rate of over 500 kilobytes per second.

With no interleave factor, the head reads the data from sector 1 and sends it to the controller. While the controller assembles the data to send it to the computer, sector 2 is under the head but the controller is not ready to accept the data. So the disk must make another revolution to retrieve the data from sector 2. To avoid this problem, the disk is interleaved. This means the logical sector numbers do not necessarily follow the physical sectors.

Figure 10-19 illustrates the sector numbering of a disk with a 3:1 interleave. Physically the sectors are numbered 1, 7, 13, 2, 8, 14, 3, 9, 15, 4, 10, 16...12, and back to 1. With a 3:1 interleave, the head reads logical sector 1 and sends the data to the controller. While the controller processes the data, the next physical sector and part of the following sector pass by





DS2-19

Figure 10-19.—A 3:1 disk interleave.

the head. When the controller is ready for the data from sector 2, the disk is approaching logical sector 2. In this way, interleaving speeds up data retrieval and transfer. Today many fixed disk controllers are fast enough to handle a 1:1 interleave.

## FIXED DISK INTERFACES

The last area of a fixed disk system is the type of interface used to transfer data between the computer and the disk. Several drive interfaces are in use today:

- ST-506/412
- IDE
- EIDE
- ESDI
- SCSI

### ST-506/412 Interface

The ST-506/412 Interface was one of the first fixed drive interfaces designed and became a standard for many fixed disk systems. It was originally designed for a 5M drive. As manufacturers improved the performance of their drives, a need developed to tell the computer about the characteristics of the drive as far as how many disks and heads are in the drive. This was accomplished by installing a drive table in the computer's BIOS ROM, and then having the technician tell the computer what fixed disk system was being used by running the set-up program. The original ST-506/412

specification dictated that modified frequency modulation be used as the encoding scheme, but lately the interface has been upgraded to include RLL 2,7. The ST-506/412 interface also requires the data encoder/decoder be on the disk controller. This means that raw data is transferred from the disk to the controller over the data cables. To reduce the possibility of data loss during this transfer, fixed disk data cables are kept as short as possible.

### Enhanced Small Device Interface (ESDI)

The Enhanced Small Device Interface (ESDI) is a high performance, high-speed interface and controller. ESDI controllers increase reliability by putting the data encoder/decoder circuitry on the drive logic board. This eliminates the data errors caused by noise and signal loss in the cables. ESDI is capable of transferring data at a rate of 24 megabits per second. Most ESDI drives today are limited to 10 or 15 megabits per second due to limitations of the host computer's I/O bus.

ESDI drives are capable of being formatted to 60 sectors per track or higher, although 32 sectors per track is most common. All ESDI controllers can support a 1:1 interleave.

One of the most important features of ESDI systems is that the controller can read the drive parameters directly off the disk. With this capability, the controller can tell the BIOS the type of drive installed. This eliminates the need for the user to run the setup program. Also, this feature allows for defect mapping, further improving the drive's reliability.

### Integrated Drive Electronics (IDE)

The Integrated Drive Electronics (IDE) interface was originally developed as an interface for hard cards. A hard card is a small drive mounted on a controller board which plugs directly into the personal computer's expansion slot. IDE has been expanded to include 5.25-inch and 3.5-inch fixed disk systems. IDE drives connect to the motherboard of the host computer with a 40-pin connector.

IDE drives have much of the controller and interface circuitry on the drive logic card. Recently, computer manufacturers introduced motherboards with IDE controllers and interfaces.

One major drawback of IDE drives is that you can damage the drive if you try to perform a low-level format on the drive.

## Enhanced Integrated Drive Electronics (EIDE)

The EIDE interface was developed to overcome many of the limitations of the IDE interface. As we saw in chapter 7, EIDE provides the capability for addressing fixed disks with over 540 MB of storage capacity. EIDE also provides faster data transfers and the ability to use a CD-ROM drive in an EIDE system.

## Small Computer Systems Interface (SCSI)

The Small Computer Systems Interface (SCSI) is really a systems level interface, not just a disk interface. SCSI (pronounced *scuzzy*) uses a host adapter that plugs into the computer. The SCSI has eight I/O ports. One is dedicated as the interface between the host computer and the adapter. The other seven ports are available for other device controllers, such as disk drives, CD-ROM readers, and digital scanners.

The SCSI is a *smart interface*. When the host computer requests data from a device connected to the SCSI, the SCSI will disconnect itself to free up the computer while it processes the request. The SCSI is capable of transferring data at up 100 megabits per second.

## FORMATTING FIXED DISKS

Fixed disk systems operate in much the same manner as the floppy disks and the disk memory set. Before a new fixed disk drive can be used in a personal computer, it must be formatted. The formatting of a fixed disk is performed by two or three separate operations. These are as follows:

- Low-level format
- Creating a DOS partition
- High-level format

### Low-Level Format

The low-level format program writes the tracks and sectors on the disk. Low-level format programs vary according to the type of drive and controller. Many controller manufacturers now include the low-level format program in a ROM on the controller. You can access this program by using the DOS DEBUG routine. Refer to the controller's documentation to find the starting address for the format program.

When you install and format a new fixed disk drive, it is extremely important to enter the defective

tracks from the list supplied by the manufacturer. These bad tracks are usually listed on a label on the drive, with another hard copy supplied with the documentation.

When the low-level format program is executed, it will mark any bad tracks with a checksum error that will prevent these tracks from being used for data storage. In addition, the low-level format program will check all areas of the disk to see if any additional bad tracks are detected. If you are formatting a new disk, only the tracks on the manufacturer's list should be bad. If you are reformatting an older disk and find that additional tracks are listed as bad, the disk is showing signs of severe damage and should be replaced.

### CAUTION

DO NOT run a low-level format program on an IDE drive. Serious damage could result by trying to low-level format this type of drive.

There are two additional terms you need to be familiar with to low-level format or troubleshoot fixed disks. These are *write precompensation* and *reduced write current*. Write precompensation and reduced write current are also used in some disk memory sets.

**Write Precompensation** — Write precompensation is used to prevent problems that can occur when data is written on the higher numbered cylinders. A disk is divided into sectors and tracks. Each sector can store 512 bytes of data. The sectors on the outside of the disk surface are physically larger than the ones on the inside of the disk. As data is recorded on the disk, like poles of magnetic fields are repelled away from each other and opposite poles are attracted to each other. As the heads move toward the center of the disk, the write precompensation circuitry changes the spacing of the magnetic fields. After the natural attraction or repelling of the magnetic domains is complete, the magnetic fields are in the proper place.

**Reduced Write Current** — Reduced write current also compensates for problems that can arise when writing on the inner tracks of a disk. As the system writes on the inner tracks of the disk, less current is required because the data is more densely packed. Using the same current on the inner tracks that is required on the outer tracks would cause the data to run over each other.

Manufacturers' data sheets included with new drives will indicate what cylinder write precompensation and reduced write current are

invoked. You will need this information when you low level format some fixed disk drives. If the write precompensation value is the same as the highest numbered cylinder on the disk, it means that the disk does not require write precompensation.

### **Creating a DOS Partition**

Upon completion of the low-level format, a fixed disk to be used in a personal computer needs to be partitioned. To partition a disk, run the DOS FDISK program. Partitioning a fixed disk divides the disk into one or more logical drives. The drive must be partitioned even if the entire drive will be one large partition. DOS 3.3 allows a maximum partition of 32M. DOS versions 4.0 and greater allow DOS partitions of up to 4 gigabytes. If you have a drive larger than 32M, and are using DOS 3.3, you can divide the disk into two logical drives to fully use the disk. Refer to the primary partition as drive C and the extended partition as drive D.

Running FDISK on the disk prepares the DOS boot sector so the high-level format program will operate correctly.

Partitioning will also allow you to have two different operating systems on the same disk. The primary partition will have DOS, where the extended partition can be set-up to run with OS/2, UNIX, or some other operating system.

### **High-Level Format**

The last step in preparing a fixed disk for use in a personal computer is to run the DOS high-level format program. This program creates the FAT and an empty root directory so DOS can manage files. If the drive is to be used to boot the computer, this format will also write the two hidden system files and the COMMAND.COM file. Use the command `FORMAT C: /S` to create a bootable disk. If the disk is to be used for data storage only, do not use the `/S` switch.

## **RECOVERING DATA FROM FIXED DISK DRIVES**

Loss of data on a fixed disk drive can result from several causes. These range from accidental erasure to infection by a computer virus to actual hardware failure. When disaster does strike, the main objective is to recover as much data as possible from the disk.

### **Recovering Data From an Erased File**

There are many ways that a file can be accidentally erased. The important thing in recovering an erased file is detecting the error quickly. DOS does not actually erase the data areas of a file when you delete it, DOS merely changes the code in the FAT to indicate that the cluster is available for use. Therefore, to completely recover an erased file, you must try the recovery before DOS reuses the clusters that the file was in.

You can manually recover an erased file by using the DEBUG program in DOS. This method is long and tedious. Several commercial programs are available that will try to restore an erased file. These programs will look at the deleted directory entry to find where the starting cluster of the file was, then check the size of the file to determine how many clusters the file should have occupied. The recovery program will then check the FAT and see if the clusters are available. For example, if a file occupied clusters 75 to 79, a check of the directory entry would show that the beginning of the file was cluster 75. The program would then try to recover all the data in clusters 75 to 79. The problem arises if the file was fragmented. That is, the file was in clusters 75, 83, 100, and 101. In many cases when the file is fragmented, it cannot be recovered.

To avoid file fragmentation, there are also several file unfragmenter programs for use in personal computers. These programs will check the disk for fragmented files, and rewrite the fragmented files so they are contiguous.

### **Computer Viruses**

A computer virus is any program designed to be willfully destructive. A virus can be spread by several methods. The methods include loading the virus from a bulletin board system and loading a virus onto your fixed disk from a floppy disk.

When the word of a virus infection is spread, the first reaction of many users is to panic. Knowing how a virus is spread can help you find the source of the virus. In IBM personal computer systems and compatible systems, a virus can only be spread in .COM and .EXE files. Some viruses maybe harmless pranks, such as displaying a message on the screen every time the virus is activated. Others are much more harmful and may format your fixed disk or they may erase the FAT or master boot record (MBR).

The three common types of viruses are the worm, the Trojan horse, and the logic bomb.

**Worm Virus** —A worm virus is a program that copies itself endlessly, tying up computer time and eventually overloading the disk. Worms can also spread copies of themselves over networks and disrupt the network by overloading all the computers on the network.

**Trojan Horse Virus** —A Trojan horse virus is a program that embeds itself into other programs. When an infected program is run, the virus further infects other programs or causes damage to your system. Trojan horses can contain worms or logic bombs. Once active, the Trojan horse worm component will seek out other programs to infect. Trojan horses are commonly used as an initial source of infection.

**Logic Bomb Virus** —A logic bomb is a virus that is embedded in a program or operating system that waits for an event to occur. The logic bomb is activated by a date, a time, or by some other parameter. When the conditions of the logic bomb are met, the bomb is activated. Logic bombs can reside undetected in a personal computer for long periods of time, waiting for the proper conditions to set it off. Logic bombs are traditionally the most destructive of all viruses.

**PREVENTING VIRUS INFECTIONS.** —Virus infections can be prevented with a little caution and common sense. Viruses reside in the disk's boot records or in .COM or .EXE files. Your system cannot be infected by data files. Further precautions you can use to prevent viral attacks include:

- **Never use pirated software.** Most virus attacks occur as a result of people using pirated software. Note: Pirated software is very common in the Far East, where it is sold complete with pirated manuals and documentation.

- **Make regular backups.** Backups may be needed to restore data files in the event of a virus infection. Be sure to maintain several copies of your backups. A good plan is to have one backup that is a week old and one that is a month old. If a virus does infect your personal computer, these backups can help you discover when the infection happened and you can restore some data without reintroducing the virus.

- **Report all virus infections to the command's ADP Security Officer.** The Navy is tracking all virus infections in an attempt to discover the source of each infection.

- **Use only authorized software on personal computers.** Do not bring software from home or copy it from other systems.

- **Periodically check for virus infections.** One simple way to check for virus activity is to keep an eye on the COMMAND.COM file in DOS. Copy the original COMMAND.COM file under a new name that does not contain a .COM or .EXE extension. Periodically compare the size of this new file with the COMMAND.COM file. If the COMMAND.COM file has gotten larger, something caused it to grow. Suspect a virus.

**REMOVING VIRUS INFECTIONS.** — If a virus does infect your system, there are several ways to remove it. The longest and most tedious is to low-level format your fixed disk and restore all your files from your backups. Another method is to use one of the several commercial virus detection and removal programs on the market today. These programs, when used properly, can detect and remove viruses before they have done permanent damage to your system.

### **Recovering Data After a Hardware Failure**

You come to work in the morning and find that your personal computer is dead. You haven't made backups of your data in the last year. Don't panic, even after a severe head crash some data can usually be recovered from a fixed disk drive. Your main priority should be to get as much data off the disk as possible, but first you need to get it running. To do this, the first step is to determine exactly what is wrong with the drive.

- Check the computer's setup and ensure that the information about the drive is still there. The setup is stored in the computer. A battery provides power to keep this information in the computer. If the battery dies, when the computer tries to boot from the hard drive, it won't find the hard drive if the setup is gone.

- Check the temperature of the computer and the drive. Some drives will not work if they are too hot or too cold.

- Check the drive's cables and connectors. Are the connectors on tightly? Connectors can work themselves loose, or they may not have been tightly installed. If you have an extra set of cables, try replacing them. A pinched cable can breakdown from stress in time.

- Does the disk spin? If not, make the following checks. (1) Check the power supply to see if all the proper voltages are present. (2) Check for stiction; it is another cause of the failure of the disk to spin properly. Stiction can result from the lubricant on the disk getting too hot. The heat softens the lubricant. When the drive

is turned off, the lubricant hardens as it cools causing the heads to stick to the disk. The heads will prevent the disk from spinning. To solve this problem, remove the drive and try to free the disk by manually turning the spindle motor shaft. You may have to remove the drive's logic board to gain access to the spindle motor. Once free, the drive will probably operate normally. (3) If your drive has a stepper motor head actuator, check to see if it is operating properly. A stepper motor can develop dead spots or become stuck. Try to move the stepper motor manually if it is not operating properly. This will move it off the dead spot and the drive may operate long enough for you to recover the data you need.

- Finally, check the controller. If you have an identical controller, try installing it in the computer and see if this will solve your drive problems. If you don't have a spare controller, try reseating the chips on the controller board.

## **FIXED DISK CARE AND HANDLING**

Fixed disks require very little care and handling precautions. Since the head/drive assembly is a sealed assembly, you can't very easily fix it, so you might as well take care of it. The following tips are designed to help you keep a fixed disk in good condition:

- Limit the number of times you turn the machine on and off. The power surge from turning on a disk drive can exceed 400 watts. If the heads were not parked, this start-up power surge going through the heads could damage data on the disk.

- Protect your system from bad power. A good surge protector, power conditioner, or uninterruptible power supply can protect your entire system from being destroyed by a power surge or blackout. If you are using a surge protector, be sure it is one that has been accepted by the Navy for use with personal computers.

- Mount fixed disk drives using the manufacturer's instructions and hardware.

- Low-level format a fixed disk drive in the position and at the temperature that it will be used. Most fixed disk drives will work fine if the computer is stored on its side, but the fixed disk must be formatted in this position to avoid track alignment problems.

- Park the heads. This is extremely important to do every time you shut the power off if your disk has a stepper motor head actuator. Voice coil head actuators are self-parking when power is turned off. Parking the

heads moves them to a safe landing zone so they do not damage the disk.

### **CAUTION**

Certain IDE drives may be damaged by trying to park the heads. Refer to the manufacturer's instruction on head parking.

- Keep the area around a fixed disk system clean. Avoid eating, drinking, and smoking around fixed disks.

## **SUMMARY—MAGNETIC DISK STORAGE**

This chapter has introduced you to the major types of magnetic disk storage devices. The following information summarizes important points you should have learned:

**TYPES OF DISKS**— Disks are classified as floppy disks or hard disks. Hard disks are furthered classified as disk memory sets that have removable disk packs or fixed disk systems. In fixed disk systems, the disk pack is in a sealed head/drive assembly and is not accessible to the user.

**ORGANIZING DATA ON DISKS**— Data is stored on disks by dividing the disk into tracks, cylinders, and sectors. A track is a concentric ring on the disk. A cylinder consists of all vertical tracks. A sector is apart of a track. Before a disk can be used, it must be formatted. Formatting is the process of writing the tracks and sectors on each recording surface of a disk or disk pack. On disk systems used in personal computers, program and data files are stored in directories and subdirectories.

**FLOPPY DISKS AND DISK DRIVES**— Floppy disk drives are the simplest of all magnetic disk storage devices. Two sizes are commonly used today: 5.25 inch and 3.5 inch. Floppy disks come indifferent densities.

**THE 5.25-INCH FLOPPY DISK CONSTRUCTION**— The 5.25-inch floppy disk consists of a flexible magnetic disk contained in a disk jacket. The jacket has several standardized cutouts. The media access hole provides for the heads to access the-disk. The index hole indicates the start of the track. The write enable notch can prevent the disk from being written on if it is covered with a strip of tape. The stress relief notches help to properly position the disk in the drive and prevent the disk from warping while in the drive.

**THE 3.5-INCH FLOPPY DISK CONSTRUCTION**— The 3.5-inch floppy disk is in a hard plastic case. The media access hole is covered by a metal spring loaded shutter. Write protection is provided by a slide switch on the bottom of the case. High density, 3.5-inch floppy disks have a media indicator hole in the disk. A disk without this hole cannot be formatted as a high density disk.

**FLOPPY DISK DRIVE OPERATION**— Several components are common to all floppy disk drives. The spindle assembly/drive motor turns the disk at the proper speed. The drive circuit board controls the reading and writing of data on the disk. Connectors and cables connect the disk drive to the disk controller. The read/write heads actually read data from a disk and write data on a disk.

**DENSITY AND COERCIVITY**— Density is the term that describes how much data can be stored on a disk. Coercivity is how much magnetic force, measured in oersteds, is required to properly write data on a disk. The density and coercivity of a disk is directly related to the magnetic media of the disk.

**USING LOW-DENSITY DISKS IN HIGH-DENSITY DRIVES**— Avoid using low-density disks in high-density drives, especially in 5.25-inch drives. This is because of the difference in the size of the tracks that high-density drives use. Never format a low-density 5.25-inch disk as a high-density disk. The 3.5-inch disk drives do not have these problems because the media indicator hole in the disk case prevents using a low-density disk in a high-density format.

**FLOPPY DISK DRIVE INSTALLATION AND CONFIGURATION**— When installing a floppy disk, you have to determine how the disk is to be configured. You have to set the drive select jumper. Drive selection is also dependent on the type of drive-to-controller cable used. You must also determine the correct setting for the terminating resistor, the diskette change line/ready jumper, and the media sensor jumper.

**FLOPPY DISK CARE AND HANDLING**— Taking care of floppy disks will improve the reliability of the data stored on the disk. It is important to be aware of all potential sources of stray magnetic fields when storing your disks.

**DISK MEMORY SET**— The disk memory set is also commonly referred to as a disk file unit or mass memory storage unit. These devices have large removable disk packs and are mainly for use with mainframe computers.

**MAGNETIC DISK PACKS**— Magnetic disk packs are hard platters coated with a magnetic oxide. They range in size from just 1 disk to over 14 disks. Many disk packs have a servo surface that contains permanently recorded data used for positioning the heads.

**DISK FILE UNIT CONTROLS AND INDICATORS (DISK UNIT)**— The disk memory set's controls and indicators allow the operator and technician to set operating modes and monitor the operation of the disk memory set.

**DISK MEMORY SET CONTROLLER**— The disk memory set's controller manages the operation of the disk memory set. It has six main functional areas: the controller intercommunications bus, microprocessor, buffer memory, controller to disk drive interface, the data bus control unit, and the CDS channel interface.

**DISK DRIVE UNIT**— The disk drive unit controls the rotation of the disk pack, the positioning of the read/write heads, and the reading and writing of data on the disk.

**DISK MEMORY SET OPERATIONS**— Disk memory set operations include disk formatting, write operations, and read operations.

**CARE AND HANDLING OF MAGNETIC DISK PACKS**— Properly taking care of the disk packs can prevent major head crashes and data loss.

**FIXED HARD DISK SYSTEMS**— Fixed hard disk systems are also commonly referred to as hard disks. They are common in minicomputers and personal computers.

**FIXED HARD DISK DRIVE CONSTRUCTION**— Fixed hard drives consist of one or more disk platters in a sealed head/drive assembly (HDA). The HDA also contains the read/write heads and the head actuator assembly. The head actuator assembly can be a stepper motor or voice coil. It controls the movement of the heads. The spindle motor is mounted outside of the HDA. The spindle motor shaft penetrates the HDA and turns the disk. The logic board of a fixed disk drive controls the position of the heads and read/write operations.

**DATA ENCODING METHODS**— Methods for encoding data on disks were developed to increase data reliability and keep the controller synchronized with the drive. The two most common encoding methods in use are modified frequency modulation (MFM) and run length limited (RLL).

**FIXED DISK CONTROLLERS**— Fixed disk controllers control the disk drive. The controller can determine what encoding method is used, what the interleave factor of the disk is, and what interface is used to communicate with the host computer. It is very important that the disk drive and controller are compatible with each other. Some disk controllers are located on the drive logic boards, while other disk controllers are on a separate circuit board with the interface.

**FIXED DISK INTERLEAVE FACTOR**— Interleaving is a method for logically numbering sectors to allow time for the controller to process data. The fastest drive/controller combinations can support a 1:1 interleave.

**FIXED DISK INTERFACES**— Fixed disk interfaces determine how the disk controller communicates with the host computer. In some cases

the disk controller is on the same circuit board as the interface. The most common interfaces in use are the ST-506/412, the Integrated Drive Electronics (IDE) Interface, the Enhanced Small Device Interface (ESDI), and the Small Computer Systems Interface (SCSI).

**FORMATTING FIXED DISKS**— Before a fixed disk can be used in a personal computer, it must be formatted. Total formatting consists of a low-level format, making a disk partition, and a high-level format.

**RECOVERING DATA FROM FIXED DISK DRIVES**— Most of the time data can be recovered from a fixed disk. Accidentally erased files can be recovered. If your computer is infected by a virus, it is sometimes possible to recover files and get rid of the virus. Broken drives can be revived long enough to get important files off them. The best protection from data loss is regular and complete backups of your data files.





## CHAPTER 11

# CD-ROM STORAGE

### INTRODUCTION

As the uses of computers expand, the need for disseminating large amounts of information to multiple users also increases. This information can be software or raw data. The use of a CD-ROM is ideally suited for these purposes. In the Navy, CD-ROMs are currently being used in several areas including the Naval Intelligence Processing System (NIPS) and the Naval Command and Control Systems.

**After completing this chapter, you should be able to:**

- Describe the physical characteristics of a CD-ROM
- Describe the storage structure of the data on a CD-ROM
- Describe the operation of a CD-ROM drive
- Describe the different applications that use CD-ROMs

The evolution of CD-ROM technology has expanded to the point that multimedia CD-ROMs are now in use. A multimedia CD-ROM is a disc that stores digital data, digitized audio data, and digitized video data. The same CD-ROM drive can be used for all three functions; in many cases, using the computer to drive the audio and video portions of the CD-ROM.

NOTE: *Disc* or *disk*? The original audio compact disc distributors referred to the CD as a *disc*, while the manufacturers of floppy disks used the *disk* spelling. When the compact disc was developed as a digital storage medium, the manufacturers kept the *disc* spelling. In this manual, we stay with the current use of *disc* when referring to the CD-ROM compact disc.

The CD-ROM for use as a data storage medium was a result of the popularity of the audio compact disc. The major problem that had to be overcome was that digital data storage had to be much more precise than digital audio. A reliable data encoding and error correction scheme was developed to solve this problem.

This chapter will introduce you to the CD-ROM and the CD-ROM drive.

---

### TOPIC 1—THE COMPACT DISC

The compact disc is capable of storing any type of digital data. The information is stored on the disc by

etching a series of *pits*, or little holes, between flat spots. The flat spots on the disc are called *lands*. The information is stored on a continuous spiral track that starts at the inside of the disc and travels toward the outer edge.

## PHYSICAL CHARACTERISTICS OF A COMPACT DISC

The base of a CD is a clear, hard plastic, known as polycarbonate. The CD is molded from a master that forms the pits and lands. The top of the plastic disc is coated with a reflective material, such as aluminum, that reflects the light of the reading laser. The entire disc is coated with a protective lacquer and a label is printed on the top of the disc.

Figure 11-1 shows a typical compact disc. The diameter of the disc is 120 mm. The center hole is 15 mm in diameter. The area closest to the center hole is the clamping area, and no data is written in this area. The clamping area is generally 26 mm to 33 mm wide, measured from the center of the disc.

The data area is approximately 38 mm wide and is divided into three sections. Figure 11-2 illustrates a cross section of a CD-ROM's data area. The table of contents for the entire disc occupies the first 4 mm of the data area. The next section is the program area, and occupies 33 mm if the disc is filled to capacity. The third area of the disc is the lead-out area and it is used to tell the drive it has reached the end of the disc. No data is written on the outer edge of the disc; this allows for handling.

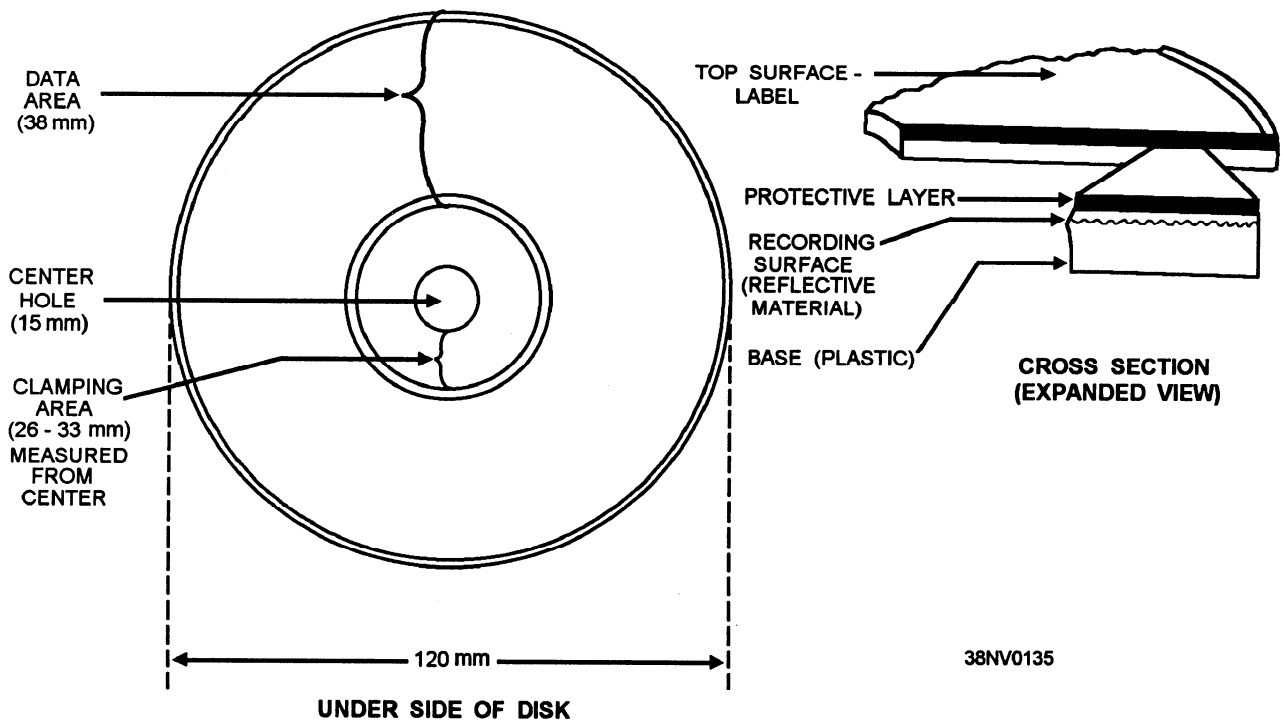


Figure 11-1.—A typical compact disc.

## ADVANTAGES AND DISADVANTAGES OF CD-ROM

CD-ROM has several advantages over magnetic media in the dissemination of digital information. The greatest advantage is the amount of data. A single CD-ROM can store over 500 megabytes. The data on a CD-ROM can also be a mixture of digital information. The CD-ROM can store audio, video, graphics, text, and programs. CD-ROMs that combine different types of data (audio, graphics, and so on) are known as CD-I, or compact disc-interactive.

The CD-ROM is extremely durable and difficult to damage. Since the CD-ROM is an optical storage medium, the read head never comes in contact with the disc. Therefore, it does not suffer from damage caused by head crashes as magnetic disk media do.

The CD-ROM does have disadvantages. Because of the way the CD-ROM drive reads data, the access time is much slower than for a high performance fixed disk system. The CD-ROM is designed to hold a large amount of data for a large number of users. The initial high cost of producing the master disk precludes sending unique information to just one or two users.

## DATA STORAGE STRUCTURE

Information is written on a CD-ROM as a series of pits and lands and read from the disk by detecting reflections of a laser from the lands. When the laser

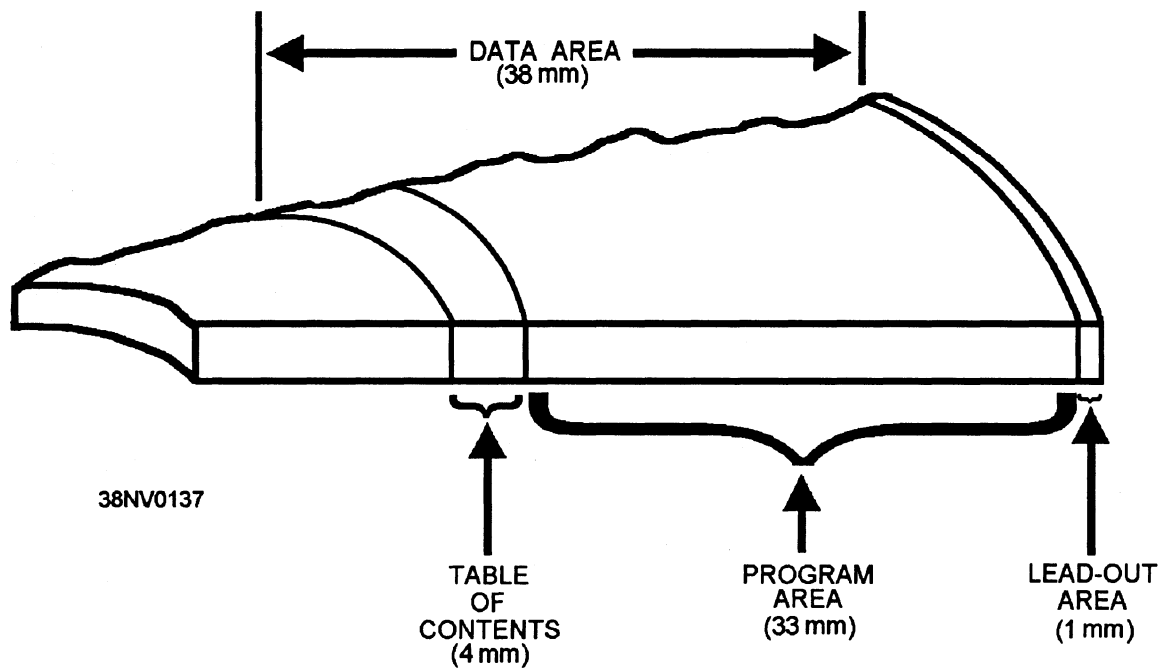


Figure 11-2.—A cross section of CD-ROM with data areas defined.

beam is over a land, the light is reflected back to a photodetector. When the laser beam is over a pit, the light is defused and not detected by the photodetector.

The data on a CD-ROM is written in a continuous spiral, much like the groove of a phonograph record, and was adapted from the CD audio standard. The data track is 0.5 micrometers wide. The space between the turns of the track is 1.6 micrometers. This equates to a track density of 16,000 tracks per inch (tpi) and a maximum of 640 megabytes per disc. The actual capacity of a CD-ROM is dependent on the mode used to produce the disc. Two modes of recording data on a CD-ROM are currently in use. Mode 1 writes 2,048 data bytes per sector, followed by error connection codes. Mode 2 writes 2,336 data bytes per sector and eliminates the error correction codes.

In chapter 2 of this manual, you saw that a disk is divided into tracks and sectors. The disk rotation speed is constant and data is accessed by defining the track and sector. On a CD-ROM disc, the data is also stored in sectors of 512 bytes. The size of the sectors on a CD-ROM disc remains the same, regardless of the physical location of the sector. The spiral increases in size as it winds toward the outer edge of the disc, thus the number of sectors per rotation increases.

### Constant Linear Velocity

Constant linear velocity is the technique that the CD-ROM drive uses to access data from a disc. To properly read the data from the disc, the speed of the

disc must decrease as the laser moves to the outer edge of the disc. Rotation speed of the disc while reading the inner tracks is approximately 500 rpm. As the read head moves to the outer edge of the disc, rotation speed decreases to 200 rpm.

Sector addresses on CD-ROM are adaptations of the CD audio standard and are recorded on the disc in terms of minutes, seconds, and sector (minute:second:sector). To find a sector, the read head is slewed to the approximate position of the data, the rotation speed of the disc is adjusted, and the drive reads the position data in the header of the next sector to determine the location of the read head. The read head is then fine positioned to the desired location by repeating this procedure until the proper sector is found. This process can lead to access times of about 1 second. Once the proper sector is found, data transfer is 150 to 300 kilobytes per second, depending on the type of CD-ROM drive. These relatively slow access times and data transfer rates are among the biggest problems with CD-ROMs. Manufacturers are striving to improve these rates and have introduced double-speed, triple-speed, and higher multiple-speed drives.

### Eight-to-Fourteen Modulation

The eight-to-fourteen modulation technique for encoding data on a CD-ROM disc was developed to increase the accuracy of the data read from the disc. Each byte has a corresponding 14-bit code. When the disc is manufactured, the data is recorded in the eight-to-fourteen code. When the data is read from the

disc, the conversion from coded information back to a byte is accomplished from a look-up table. This table is in a ROM on the disc drive. Three additional bits are added to each 14-bit code to provide separation and low-frequency suppression.

## TOPIC 2—CD-ROM DRIVES

Although still relatively new, CD-ROM drives are becoming popular as a tertiary storage media device. CD-ROM drives vary by manufacturers in the method the data is read from the disk and the laser system used, but the basic operation is similar. In this section, we cover the common components and operation of CD-ROM drives. The basic components of the CD-ROM drive are the following:

- Optical head
- Turntable
- Computer interface section
- Microprocessor based control system

Figure 11-3 shows a basic block diagram of a CD-ROM drive.

### OPTICAL HEAD

The optical head contains the circuitry to read the data from the disc. This unit usually consists of four main subassemblies; (1) the laser, used to generate a light beam; (2) a lens system, to focus the laser beam on the disc and to direct the reflected light to the photodetector; (3) a series of servomotors that controls the position of the laser and lenses to ensure proper tracking and focus; and (4) a photodetector, that evaluates the reflected light and converts the light to electrical impulses.

### Laser

The laser in a CD-ROM drive is generally a small injection laser diode that emits light in the infrared band. An injection laser is energized by injecting it with an electric current across a semiconductor junction. Injection laser diodes are the smallest laser light source. They are highly efficient and mass produced.

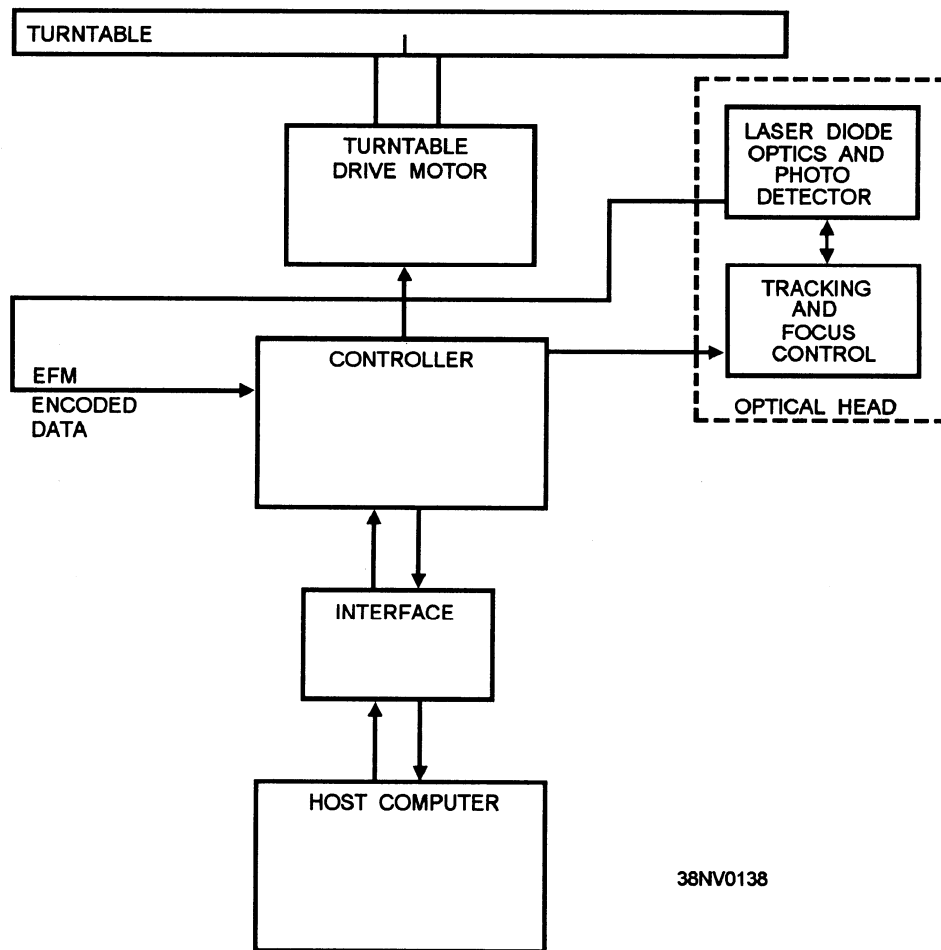


Figure 11-3.—A CD-ROM drive block diagram.

The laser beam is directed to the disc using several different methods, depending on the system preferred by the manufacturer. One type of system deflects the laser beam off a semitransparent mirror, through the lenses, and onto the disc. When the laser beam strikes a land, the reflected light passes through the semitransparent mirror into the photodetector.

### Lenses

The lenses in a CD-ROM drive are used to focus the laser beam onto the compact disc. When the laser is turned on, the beam tends to diverge as it travels away from the source. The beam first passes through a **collimating lens** that reduces the divergence. The beam then passes through the **objective lens**, where it is focused onto the surface of the disc.

The final component used to focus the beam on a compact disc is the disc itself. The diameter of the laser beam as it exits the objective lens is approximately 1 mm. The refractive properties of the clear plastic

material of the disc further focus and reduce the diameter of the laser beam so that it is 1.0  $\mu\text{m}$  when it reaches the information surface of the disc. This fine focus of the laser is one of the factors of the high durability and reliability of the compact disc.

### Tracking and Focusing

Once the optical head is positioned over the area to be read, a system is needed to properly hold the optical head on the track and maintain proper focus. Errors in tracking and focus can occur because the compact disc is not perfectly flat. Several methods are used to determine tracking and focus.

In the optical head system described earlier in this chapter, the reflected laser beam passes through the semitransparent mirror. The reflected laser beam is next split into two beams by a prism. These two beams are directed to the photodetector. The photodetector consists of four photodiodes. Figure 11-4 shows how the reflected light strikes the photodiodes if the tracking

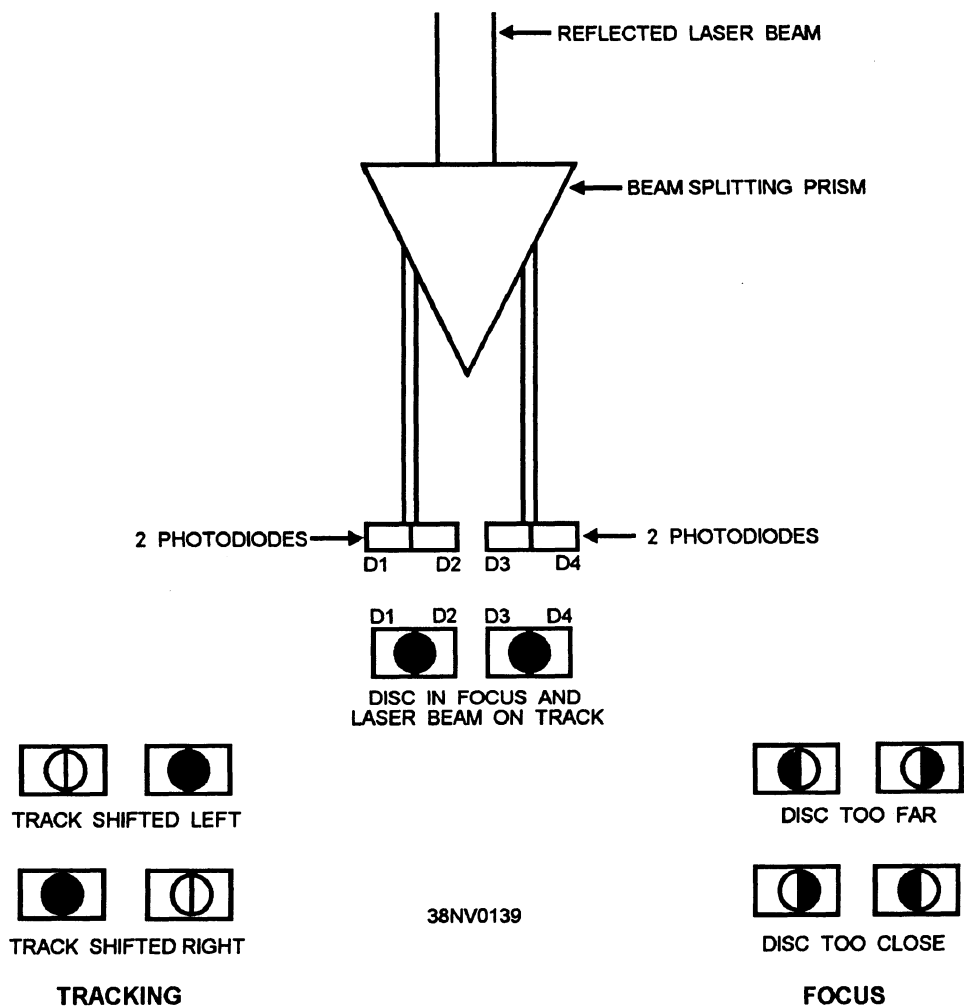


Figure 11-4.—Photodiodes detecting tracking and focus of the laser beam.

is off to the left, off to the right, or on track. The output of the photodiode is fed to a differential amplifier. If the laser is on track, the output voltage of the photodiodes is equal. If the laser beam is off to the left or right, a control voltage will be generated by the differential amplifier that is fed to the track following servo. The amplitude and polarity of this control voltage determines the direction and distance of correction needed.

The same four photodiodes are also used to determine the focus of the laser beam as it strikes the disc. Figure 11-4 shows how the photodiodes will react to detect if the disc is too close to the laser or too far away from the laser, or if the laser is in focus. Again, the output of the photodiodes is fed to an amplifier and correction of focus is made by moving the objective lens.

The output of these four photodiodes is also summed and contains the encoded data on the disc. It is then sent to the control section for decoding.

## **CD CONTROLLER**

The CD controller processes the signals received from the optical head, attempts to correct any errors in the data, and controls the speed of the turntable. The information from the photodiodes that is received by the controller is still encoded in eight-to-fourteen modulation (EFM) data.

The decoding of EFM data is done by the microprocessor. The code addresses a ROM that contains the proper byte for the encoded data. The output of the ROM is stored in a RAM where it is checked for errors.

## **TURNTABLE**

The turntable rotates the disc and is driven by a servomotor. Since the data is written in a continuous spiral, the speed of the turntable must be adjustable so that the information passes over the optical head at a constant speed. The audio CD requires a speed of 1.3 meters per second. This speed was adapted for use in computer applications, but proved to be extremely slow when compared to the processing and data transfer speeds of modem computers. The 2X CD-ROM drive doubled the speed the data track passed over the optical head. The 4X, 6X, and 8X CD-ROM drives spin the disc even faster. The speed multiplication factor is based on the original speed of 1.3 meters per second.

Initial speed adjustments are made when the optical head is positioned in the approximate area of the data. The header of each sector contains a synchronization pulse that is fed into a sawtooth wave generator. The sawtooth wave is fed to the turntable servomotor. The frequency of the wave is used to make fine adjustments to the turntable speed.

## **INTERFACE SECTION**

The interface section provides for the transfer of data between the computer and the CD-ROM drive. Many CD-ROM drives are manufactured with the small computer systems interface (SCSI), although some proprietary interface units are available.

## **TOPIC 3—CD-ROM APPLICATIONS**

Applications that use CD-ROM are rapidly expanding throughout the Navy as systems are updated and the need for reliable storage of large amounts of information increases.

## **DATABASES AND PUBLICATIONS**

CD-ROMs are used in command and control systems, intelligence systems, and the supply system. These applications use large databases. Databases, such as a part number cross-reference list, can significantly reduce the amount of paper storage space required. The CD-ROMs allow information to be quickly retrieved, cross-referenced, and displayed to the user.

Many publications and instructions are also being stored on CD-ROM in an effort to reduce printing and mailing costs. As publications are updated, a new disc is made and sent to all users, who then replace the old disc.

## **MULTIMEDIA (CD-I) APPLICATIONS**

Multimedia or compact disc-interactive (CD-I) applications combine machine executable code (programs), text, audio, video and graphics all on the same CD-ROM. The microprocessor in the CD-ROM drive reads the code at the beginning of each sector to determine if the information that follows is audio, video, graphics, etc. The data is then output on the appropriate channel of the CD-I drive.

## **SUMMARY—CD-ROM STORAGE**

This chapter has introduced you to the CD-ROM and CD-ROM drive. The following information summarize important points you should have learned.

**COMPACT DISC**— A compact disc is an optical storage medium that can store over 500 megabytes of information.

**PHYSICAL CHARACTERISTICS**— The disc is 120 mm in diameter with a 15 mm hole in its center. The disc is made of a polycarbonate plastic and coated with a reflective material. Data is stored by etching small holes in the reflective material called pits. The nonetched areas that reflect light are called lands.

**ADVANTAGES OF CD-ROM**— The advantages of using CD-ROM include:

- Capability to store large amounts of information
- Ability to store data, graphics, audio, and video on the same disc
- Durability—since the optical head of the CD-ROM drive never contacts the disc, there is no danger of a head crash, wear and tear, or accidental data corruption that magnetic media suffer.

**DISADVANTAGES OF CD-ROM**— The disadvantages of CD-ROMs include:

- High initial cost to produce a single disc
- Slow access and data transfer times compared with high performance fixed disk systems

**DATA STORAGE STRUCTURE**— Data is stored on a CD-ROM disc in a continuous spiral that starts at the inside of the disc. The spiral is divided into sectors that each hold 512 bytes. Sectors are addressed by minute: second: sector. The number of sectors per

revolution of the disc varies as the spiral moves toward the outer edge. The disc drive varies the speed of the disc so that the data passes over the optical head at a constant 1.3 meters per second. This is known as constant linear velocity. Data is encoded on the disc using a method known as eight-to-fourteen modulation. Eight-to-fourteen modulation uses 14 bits to represent 1 byte and aids in error detection and correction.

**CD-ROM DRIVES**— The CD-ROM drive reads the information stored on a compact disc. The methods used to read data from the disk and the laser systems used in CD-ROM drives vary by manufacturer, but have several similarities. The basic components of the CD-ROM drive are the optical head, a turntable, a computer interface, and a microprocessor-based control system.

**OPTICAL HEAD**— The optical head is the heart of the CD-ROM drive. It contains a small laser diode to read the data on the disc. The optical head also contains circuitry and optics to control the tracking and focus of the laser beam.

**CD CONTROLLER**— The CD controller receives the raw data signals from the optical head and converts the eight-to-fourteen encoded data to eight-bit bytes. The controller also prepares the data for transfer to the computer via the interface and controls the speed of the turntable.

**INTERFACE SECTION**— The interface section controls the data exchange between the computer and the CD-ROM drive. CD-ROM drive interfaces can be SCSI or proprietary systems.

**CD-ROM APPLICATIONS**— CD-ROMs are used to distribute large amounts of information, such as databases and publications. CD-ROMs can also combine types of information, such as audio, video, data, and graphics. These systems are compact disc interactive or CD-I.





## CHAPTER 12

# PRINTERS

### INTRODUCTION

Printers have been around since the early days of the computer. The first printers were actually typewriters and teletypewriters that were adapted to print binary data. These printers were often slow and noisy. Today, there are printers that print entire pages of text and/or graphics at astonishing speeds.

**After completing this chapter, you should be able to:**

- Define the terms *character set*, *font*, *point*, and *orientation* as they pertain to printers
- Describe impact and nonimpact printers
- Describe the operation of line printers
- Describe the operation of dot matrix printers
- Describe the operation of daisy wheel printers
- Describe the operation of laser printers
- Describe the operation of electrothermal printers

Printers are classified as impact or nonimpact printers, depending on the method used to print the characters on the paper. Impact printers use hammers or pins to strike an inked ribbon and print the character on paper. Nonimpact printers print characters using electricity, a chemical process, or a combination of both.

Impact and nonimpact printers can be sub-divided into three types:

- Character printers
- Line printers
- Page printers

Character printers output data to the printed form one character at a time, line printers print one line of information at a time, and page printers print one whole page of data at a time. Character, line, and page printers can be either impact or nonimpact printers.

---

## TOPIC 1—FUNDAMENTALS OF PRINTING

The purpose of any printer is to transform information from computers into characters or pictures on paper so that humans can read the information. In other words, printers provide a hard-copy output that we can understand. This topic will introduce you to the fundamentals of printing: character sets, line characteristics, and orientation.

### CHARACTER SETS

A character set is a predefine table of characters that a printer will print. Early printer and computer manufacturers often defined their own codes to represent each character to be printed. Since the

computers and printers from different manufacturers didn't talk the same language, users trying to build customized systems often ran into major communications problems. These problems led to the development of the American National Standard Code for Information Interchange (ASCII, pronounced *as-key*).

### The ASCII Character Set

ASCII codes are 8-bits long, and standardize the codes for alphanumeric characters, some special characters, and some control codes. Codes 0 through 31 and 127 are control codes. Codes 32 through 126 are printable character codes. Table 12-1 lists the printable ASCII codes with their decimal codes.

Table 12-1.—Printable ASCII Codes

DECIMAL CODE	ASCII CHARACTER	DECIMAL CODE	ASCII CHARACTER	DECIMAL CODE	ASCII CHARACTER	DECIMAL CODE	ASCII CHARACTER
32	SPACE	56	8	80	P	104	h
33	!	57	9	81	Q	105	i
34	"	58	:	82	R	106	j
35	#	59	;	83	S	107	k
36	\$	60	<	84	T	108	l
37	%	61	=	85	U	109	m
38	&	62	>	86	V	110	n
39	'	63	?	87	W	111	o
40	(	64	@	88	X	112	p
41	)	65	A	89	Y	113	q
42	*	66	B	90	Z	114	r
43	+	67	C	91	[	115	s
44	,	68	D	92	\	116	t
45	-	69	E	93	]	117	u
46	.	70	F	94	^	118	v
47	/	71	G	95	_	119	w
48	0	72	H	96	`	120	x
49	1	73	I	97	a	121	y
50	2	74	J	98	b	122	z
51	3	75	K	99	c	123	{
52	4	76	L	100	d	124	
53	5	77	M	101	e	125	}
54	6	78	N	102	f	126	~
55	7	79	O	103	g		

Referring to table 12-1, if you want to print the word Navy, you would send the decimal codes 78, 97, 118, and 121 to the printer.

An 8-bit code can represent decimal values from 0 through 255 making it possible to represent 256 different codes with one character set. ASCII only defines the first 128 codes. The other 128 codes are used by software developers and printer manufacturers for additional characters. The additional characters are called the **alternate character set**.

### Alternate Character Sets

With the development of printers capable of printing graphics and nonstandard characters, the second half of the ASCII character set (128 through 255) became available to define additional special characters and features. Because software programmers found that having only one character set severely limited the capabilities of graphic capable printers, additional character sets were developed. Today, it is not unusual to find programs with eight or more complete character sets. These additional character sets may contain math symbols, foreign alphabets such as Greek, Russian, or Japanese, and other special symbols.

To print the characters in an additional character set, you must have a graphics-capable printer and the program must specify the character set as well as the character code. Therefore, the characters printed are a combination of hardware and software capability. To make all this work together, software programmers must write a routine called a **printer driver** that performs several functions. A printer driver is written for each printer the software will support. The driver tells the software what the capabilities of the printer being used are and tells the printer how to print each character in the character set or sets.

### CONTROL CODES

To make a printer print, the computer must have a method to control the printer. Printer control is accomplished with control codes. The original ASCII code contains 32 control codes. However, additional codes are needed to control the special features in modern printers. Most printers use a combination of the ASCII control codes and **escape** codes to enable and disable printer functions.

Table 12-2.—Selected ASCII Control Codes

DECIMAL CODE	ASCII ABBREVIATION	FUNCTION
02	STX	Start-of-text character.
09	HT	Horizontal tab.
10	LF	Line feed—Advances paper one line.
12	FF	Form feed—Ejects paper to the top of next form.
13	CR	Carriage return—Returns carriage to left margin.
27	ESCAPE	On many printers, the escape code indicates the start or end of a printer command.

### ASCII Control Codes

Table 12-2 shows examples of the ASCII control codes. Some of them you will recognize, such as **carriage return** and **line feed**.

When printing, if the printer reaches the end of a line, the software must send a carriage return and a line-feed code. Without the line-feed code, the printer would overstrike the data just printed. The start-of-text tells the printer that all the codes following are data codes to be printed. Some printers have a selectable option that will automatically generate a line feed for every carriage return.

### Escape Control Codes

The technology of printers has grown so that the original ASCII control codes can no longer support all the capabilities of most modem printers. Escape control codes are used to enhance printer operations beyond the limitations of the ASCII codes. Escape refers to the ASCII code 027, or the code generated by the **ESCAPE key** of the keyboard. Escape control codes can be used to change the style of print, the size of the print, whether the print is bold, and various other features of the printer. Escape codes are not standard and are defined by the printer manufacturer.

This is a sample of a Courier font.

This is a sample of a Times New Roman font.

This is a sample of an Ariel font.

ETFC0130

Figure 12-1.—Samples of different fonts.

An escape control code is the ASCII escape code (27) followed by one or more additional characters. For example, a dot matrix printer may use **ESCAPE C** to start underlining text and **ESCAPE D** to stop underlining. Another example of an escape control code could be **ESCAPE (sIS)** to select *italics* as the style of print. The decimal representation of this string is 027, 040, 115, 049, 083.

Controlling the medium- and high-speed printers used with mainframe computers is accomplished with external function messages from the computer. These printers use ASCII codes to determine the characters to be printed.

## LINE CHARACTERISTICS

Line characteristics refer to the method of character spacing, the size of the characters, the number of characters printed per line, and the number of lines per inch.

### Character Spacing

Depending on the type of printer being used, character spacing can be fixed or proportional. Fixed spacing means each character, upper and lower case, requires the same amount of space on the line. With proportional spacing, narrower letters use less space than wider letters. For example, a lowercase *i* requires less space than an upper case *W*. With proportional

spacing, the number of characters per inch is an approximation. With fixed spacing, the number is always the same.

### Character Size

Character size can be affected by many factors, depending on the type of printer being used. Drum printer character size is fixed and difficult to change. Most dot matrix and laser printers can print a wide variety of character sizes and fonts. Font refers to the style of the typeface, such as Courier, Times New Roman, or Ariel, combined with the size of print and the stroke weight (for example, **bold**). Figure 12-1 illustrates several common fonts.

Character size is also selectable on many printers. Character size is expressed in terms of pitch (characters per inch) or point size. Point refers to a printer's measure of print height. One point is equal to 1/72 inch. All the fonts illustrated in figure 12-1 are 12-point fonts. Note how the typeface affects the character spacing. Figure 12-2 illustrates the same typeface printed in several different point sizes.

## ORIENTATION

Orientation refers to how the characters are printed on the page. There are two modes of orientation: **portrait** and **landscape**. When portrait mode is selected, the data is printed across the width of the page.

This is a Times New Roman 9 point font.

This is a Times New Roman 14 point font.

This is a Times New Roman 20 point font.

This is a Times New Roman 27 point font.

Figure 12-2.—Samples of different point sizes of the same typeface.

The text that you are reading now is printed in portrait mode. In landscape mode, the page is rotated 90 degrees and the data is printed across the length of the page. Using standard paper, portrait mode is aligned 8.5 inches wide × 11 inches long; in landscape mode the paper is aligned 11 inches wide × 8.5 inches long.

Orientation is selectable on some dot matrix printers, ink jet printers, and all laser printers.

## TOPIC 2—BASIC PRINTER CHARACTERISTICS

All printers have the same function, that is to print data on paper. The method they use to put the information on paper varies with the type of printer. This section covers areas of the printer that are common to most printers: interface, control, paper feed, and power supply.

### INTERFACE SECTION

All printers need to communicate with the host computer. Communications is handled in the interface section. Printers connected to mainframe computers generally have a communications protocol that is designed for the computer, such as NTDS fast or NTDS slow interface. Smaller printers used with personal computers will have either serial or parallel interfaces. The most widely accepted serial interface is “Recommended Standard-232” or simply **RS-232**. The most widely used parallel interface is the **Centronics standard parallel interface**.

#### RS-232 Serial Interface

RS-232 was developed by the Electronics Industry Association (EIA) to be a universal serial interface standard for any serial device such as a modem, printer, or keyboard.

For a printer to properly receive serial data, the parallel bytes that the computer works with must be converted into a serial data string. Once the data string is received by the printer, it must be reconverted to parallel data for the printer to use. These conversions are accomplished by a special circuit called a **universal asynchronous receiver/transmitter** (UART). The UART can perform both parallel to serial and serial to parallel inversions. UARTs do not need extra control lines to control the flow of data, so the UART never knows when a new character is arriving. To send a data word, the UART must attach from two to four extra bits. First, the UART inserts a binary ZERO to represent a

start bit. The next seven or eight bits represent the actual data code. Although some printers still work with seven data bits, eight bits is the standard found on most printers today. After the data code is sent, the parity of the data is checked and a parity bit maybe added. Whether a printer uses even or odd parity is determined by the manufacturer and is set up when the printer is connected to a computer. To end the data word, the UART adds one or two stop bits. Configuring the UART for a printer is accomplished by setting a number of dip switches of the circuit board.

The RS-232 interface cable is connected to the computer and printer by a DB-25 sub-miniature connector. The DB-25 connector is a 25-pin D-type connector. Although the connector has 25-pins, serial communications with software **handshaking** needs as few as three of the pins connected.

Handshaking signals are signals that control the printer. Software handshaking uses the ASCII codes such as **XON/XOFF** and **ETX/ACK**. Hardware handshaking uses an additional line to indicate **data terminal ready** (DTR) to the computer’s **data set ready** (DSR) pin. When hardware handshaking is used, the printer cannot send data to the computer.

#### Centronics Parallel Interface

The Centronics parallel interface uses a 36-pin Centronics connector at the printer end of the cable and a DB-25 subminiature connector at the computer. The parallel interface is an eight-bit, two-way interface between the computer and the printer. When the computer sends data to the computer, it places the data on the data lines and sets a strobe signal. The strobe signal indicates to the printer that the data is ready for transfer. When the printer samples the data, it will set the acknowledge line to tell the computer it has sampled the data.

### CONTROL SECTION

The control section of a printer directs all printer operations. This section receives and decodes computer data from the interface section. If the data contains characters to be printed, the control section determines what character it is and when to activate the print mechanism. The print mechanism can be a print hammer, a series of print wires, a laser beam, or some other mechanism. The control section receives signals from various parts of the printer as to the presence of paper, carriage position, and print head temperature.

## CONTROL PANEL

The control panel allows the operator to set the printer's operating parameters such as font, characters per inch, and print quality. The operator may also be able to run a self-test to check various fonts and print quality. The control panel can also be used to advance the paper to the top of the form or advance the paper one line. There is usually a switch to control whether the printer is online or offline. When operators perform any actions with the control panel, they should be sure the printer is offline to prevent any stray interrupts being sent to the host computer.

## PAPER-FEED ASSEMBLIES

The two most common methods of feeding paper through a printer are the **tractor feed** and **friction feed**. Some printers may have both friction feed for single-sheet paper and tractor feed for continuous paper.

### Tractor Feed

Tractor feed is probably the most common of all paper-feed methods. It is easily recognized by the type of paper used and the tractors that actually move the paper. Figure 12-3 shows the basic components of a

tractor paper-feed assembly. Tractor feed uses continuous paper with perforated holes on each side. The paper is threaded through the printer's platen to the tractor's sprockets. The perforated holes on each side of the paper are lined up with the sprockets and the paper is held in place when the sprocket covers are closed.

The paper is advanced by a paper-feed motor. This is generally a stepper-type motor, where each step advances the paper one line. The paper-feed motor turns the platen, which is connected to the tractors by a drive belt or a set of gears.

### Friction Feed

Printers using a friction-feed paper advance are capable of handling both continuous flat folded and single sheets of paper. With friction feed, the paper is held firmly against the platen by a pressure roller. To advance the paper, the paper motor turns the platen, which causes the paper to advance.

Another type of friction feed, the sheet feeder, is common in laser printers and uses a series of rollers to transport the paper through the printer. Figure 12-4 illustrates the basic operation of this type of paper feed. The pick up roller picks the top sheet of paper in the tray. A separation pad ensures that only one sheet of

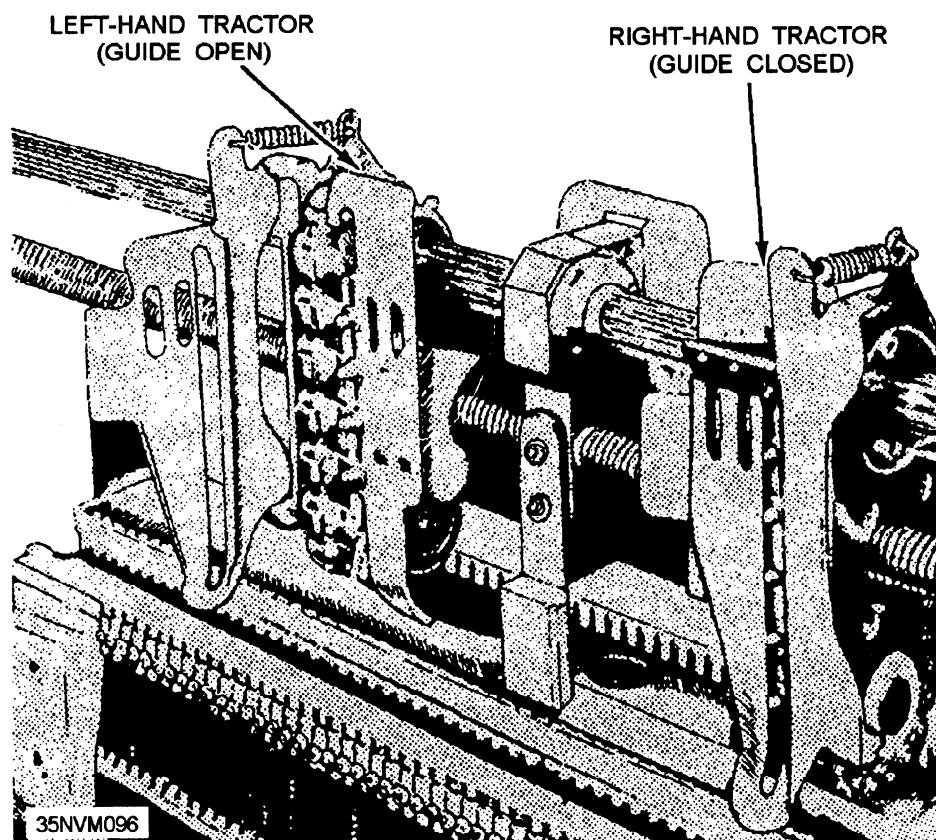


Figure 12-3.—A tractor-feed assembly.

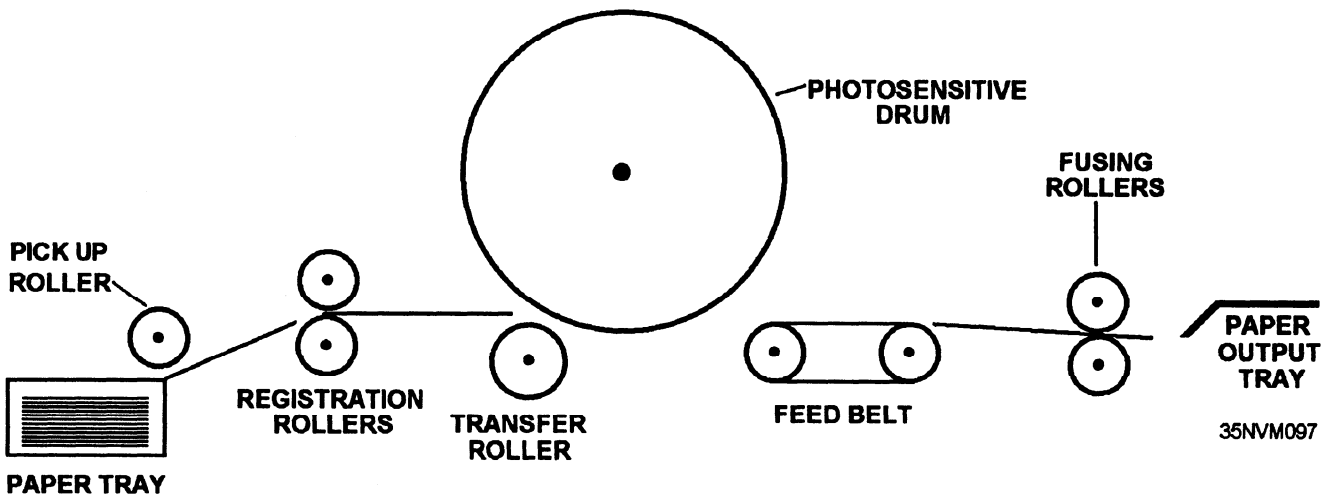


Figure 12-4.—A laser printer paper feed.

paper is picked up. The registration rollers align the paper so that it is straight. The registration rollers feed the paper to the transfer roller. The transfer roller presses the paper against the drum to transfer the toner from the drum to the paper. The paper then passes through the fusing rollers. The fusing rollers are heated rollers that melt the toner to the paper. The paper is then fed to the paper output tray.

### POWER SUPPLY

All printers have a power supply to provide the proper operating voltages for the printer. The output voltages and current of the power supply depend on the type of printer.

### TOPIC 3—IMPACT PRINTERS

Impact printers form characters on the paper by striking a device against an inked ribbon and into the paper, causing a character to be imprinted on a sheet of paper. Common impact printers include the following:

- Drum printers
- Band printers

- Dot matrix printers
- Daisy wheel printers

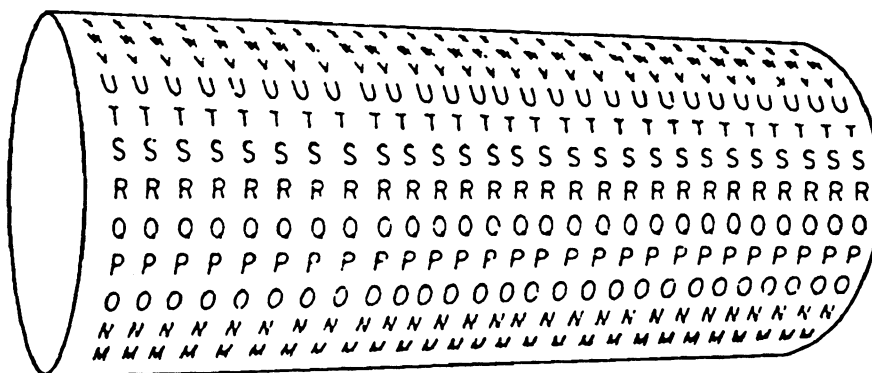
Impact printers can be line printers or character printers.

### LINE PRINTERS

Line printers receive data to be printed from the computer and store the data until a complete line is ready to be printed. The line printer will print several characters at a time. The types of impact line printers commonly used in the Navy are the drum, chain, and band printers.

### Drum Printers

In a drum printer, the character set is inscribed as raised fonts on a hollow metal drum. These raised characters are formed into lines or bands on the drum. Figure 12-5 shows a typical print drum. All the A's are on one line, all the B's are on the next line, and so forth, until all the characters in the set form a line each. The character set is repeated for each column that the printer



ETFC0132

Figure 12-5.—A print drum showing character lines.





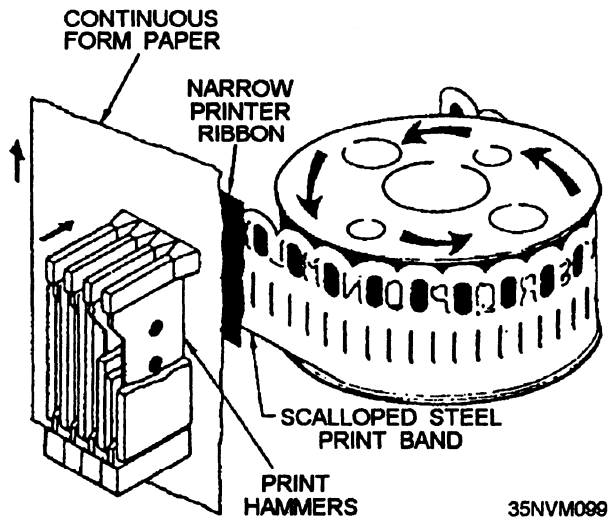


Figure 12-7.—Band, paper, ribbon, and hammer relationship in a typical band printer.

changing the size of the fonts is not possible because each column printed must have its own print hammer. Band and chain printer characters are generally printed at 10 characters per inch (cpi), although a few printers have been manufactured to print 12 cpi.

Chain and band printers are medium- and high-speed printers. They print over 300 lines per minute.

## CHARACTER PRINTERS

Character printers print one character at a time. Most character printers are impact-type printers. The notable exception to this is the ink jet printer, which sprays ink on the paper to print characters. The common impact character printers are the dot matrix and the daisy wheel printers.

### Dot Matrix Printers

A dot matrix printer forms characters by printing a series of small dots. The heart of the dot matrix printer is the print head. The print head contains a series of print wires, small pins that strike the page to create characters and graphics. The quality of print from a dot matrix printer is directly related to the number of print wires in the print head. The most common print heads use 9 or 24 print wires. Figure 12-8 illustrates the nine-pin print head.

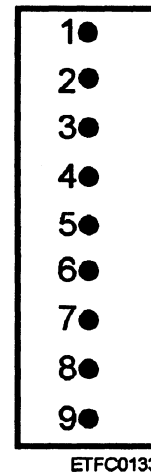


Figure 12-8.—A single column, nine-pin print head.

The print wires in the print head are independently driven by individual solenoids. A pulse applied to the selected solenoid forces the print wire into the ribbon and the paper. The print wire is returned to its normal position by a spring that holds it in the print head. The firing of the print wires can occur over 300 times per second.

The print wire solenoid driver pulse generates heat. The print head is usually mounted on a heat sink because of the speed at which the print head operates. The heat sink uses ambient air to disperse heat that, if left unchecked, would damage the print wires.

The quality of print generated by dot matrix printers has improved greatly over time. Older printers contained only seven print wires and the dots were clearly visible. Because of this, dot matrix printers were often used for only draft work and the final document was reprinted on a daisy wheel-type printer or manually typed. Today, many dot matrix printers have a print mode referred to as **near letter quality (NLQ)**. Letter quality refers to the quality of print typically generated by a typewriter. Near letter quality print has become acceptable for all but the most formal of communications.

A dot matrix printer using the nine-pin print head shown in figure 12-8, will initially print a character in the **draft** mode. The paper is then advanced one-half dot space and the character is printed again. This will fill in the space between the dots and the characters will appear smoother.

A 24-pin print head prints near letter quality faster because it has two vertical columns of print wires. The print wires in column two are slightly offset from

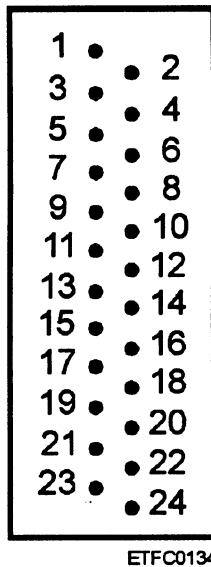


Figure 12-9.—A typical print wire arrangement in a 24-pin dot matrix print head.

column one as shown in figure 12-9. Near letter quality can be printed with just one pass of the print head. The print wires are smaller in diameter than the ones on a nine-pin print head, resulting in even smoother characters.

The dot matrix print head is mounted to a low friction slide that is mounted to one or two carriage rails. The carriage rails are usually finely polished steel to further reduce friction. The print head is moved across the length of the platen by a wire, belt, or chain that is connected to the print head mount and to the carriage motor. As the motor turns, it pulls the mount either right or left. On the rails are right and left limit switches that prevent the carriage motor from pulling the print head too far in either direction. The limit switches may be mechanical switches or optical sensors. Figure 12-10 shows a basic carriage assembly.

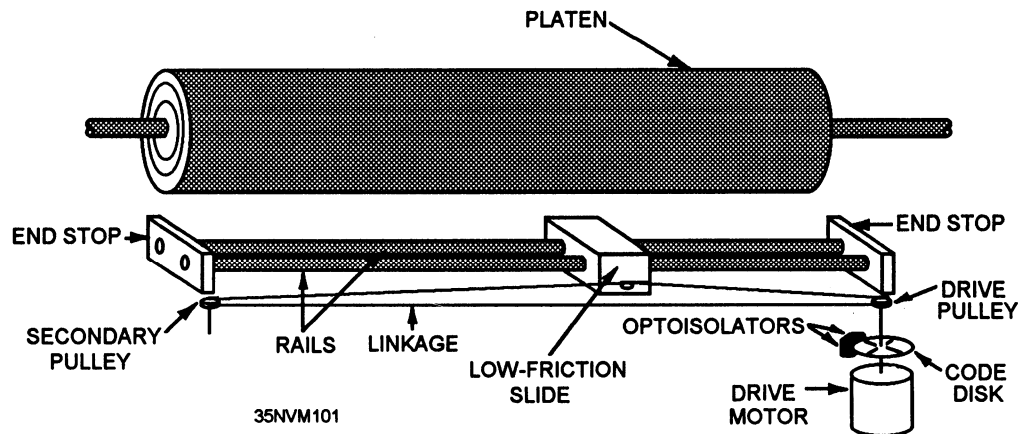


Figure 12-10.—A basic printer carriage.

## Daisy Wheel Printers

The daisy wheel printer uses a single print hammer and produces letter quality print. A daisy wheel is a small plastic disk with a number of petal-like projections. A character die is located on the end of each projection as shown in figure 12-11.

The daisy wheel is rotated by the print head mechanism until the desired character is in the proper position to be struck by the print hammer. The hammer drives the die into the inked ribbon, which prints the character on the paper as shown in figure 12-12. The print head is then moved one space, the wheel is rotated to the next character to be printed and the hammer is fired again. This process is repeated until the entire line has been printed. Many daisy wheel printers are capable of bidirectional printing.

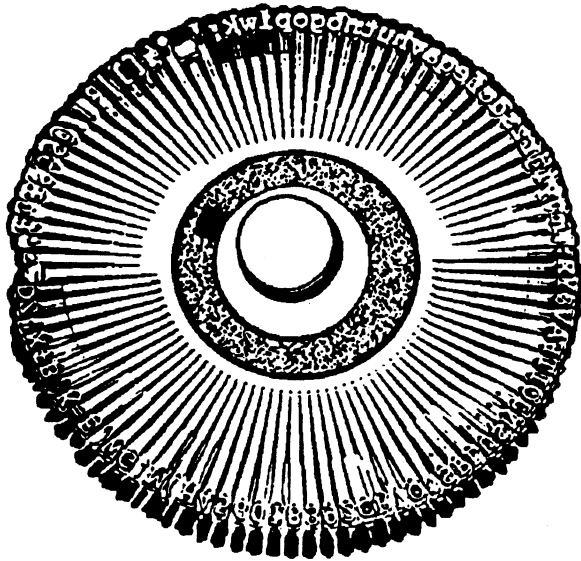
The daisy wheel print head is mounted to a carriage assembly that is very similar to the assembly used with dot matrix printers.

Daisy wheel printers are slow and limited in the characters printed to those on the wheel. Despite these limitations, they are still used for their ability to print letter quality documents and make carbon copies.

## TOPIC 4—NONIMPACT PRINTERS

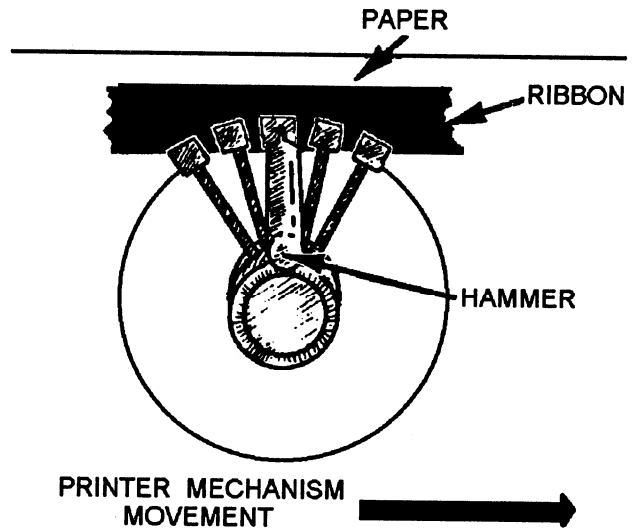
Nonimpact printers form characters using methods other than striking an inked ribbon and the paper. Types of nonimpact printers include the following:

- Laser
- Electrothermal
- Inkjet
- Electrosensitive
- Electrostatic



ETFC0135

Figure 12-11.—A daisy wheel.



35NVM102

Figure 12-12.—A daisy wheel print mechanism.

## LASER PRINTERS

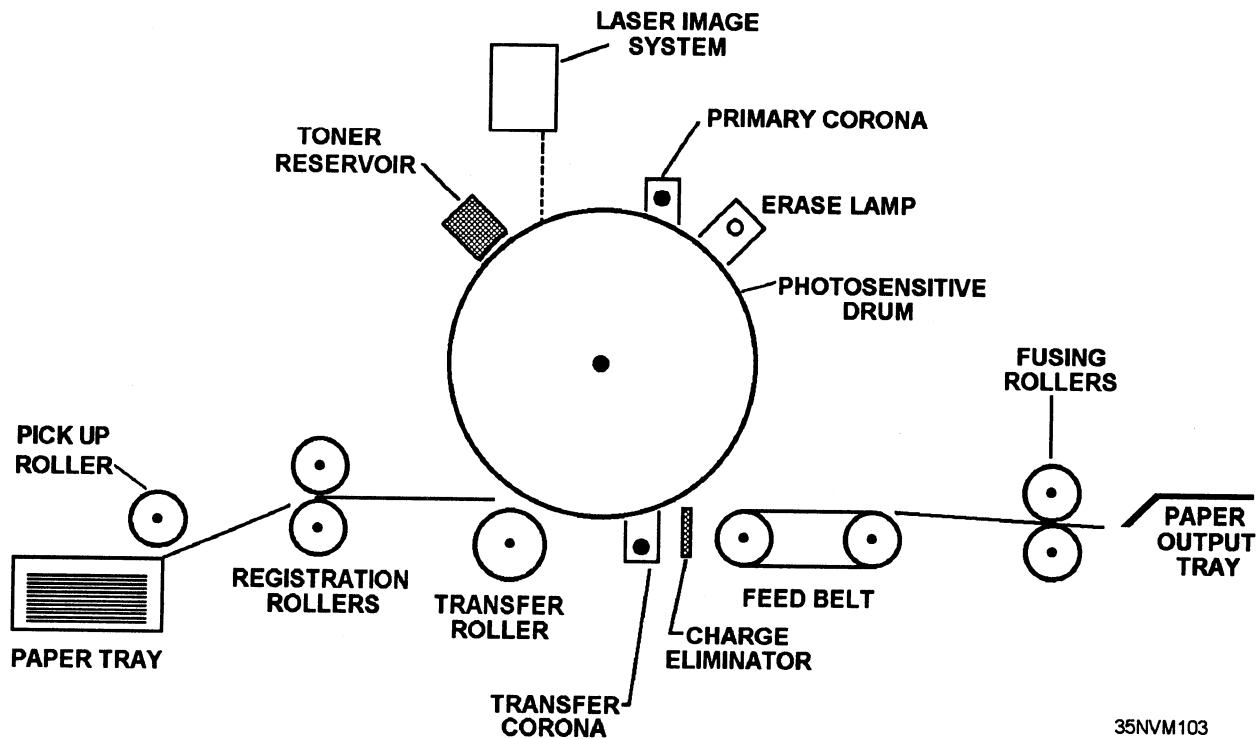
Laser printers are a type of electrostatic printer that produce a very high resolution print on plain paper. Laser printers are classified as page printers; that is, they print a whole page at a time. Laser printers can print from four to eight pages per minute with a resolution of 300 to 600 dots per inch (dpi).

The development of a laser engine by Canon U. S.A., Inc., is largely responsible for the laser printer's

popularity and affordability. The Canon engine combines the print drum, toner, and other parts into a single, easily replaced disposable cartridge.

### Laser Print Cycle

The laser printer's disposable cartridge is the heart of the printer's system. The cartridge contains the print drum, primary corona wire, a supply of toner, cleaning blade, erase lamp, and rollers. The laser printer's image formation process is illustrated in figure 12-13.



35NVM103

Figure 12-13.—A laser printer's image formation process.

The print drum is an aluminum cylinder coated with a photosensitive material. This material is highly conductive when exposed to light and has low conductance in darkness.

The laser source is from a small laser diode that generates a single wavelength light in bursts of a millionth of a second or less. The laser is focused on the drum and illuminates areas of the drum to form characters.

To start a print cycle, the drum is first cleaned, both physically and electronically. The cleaning blade wipes any residual toner from the drum. The erase lamps are turned on and neutralize any charge that maybe on the drum. A negative charge of approximately -600V is applied to the entire drum surface by the primary corona wire.

The laser beam is applied to the drum, causing the exposed areas of the drum to become positively charged. Figure 12-14 shows the basic laser imaging and scanning mechanisms. The laser beam is directed through a shutter to a rotating hexagonal mirror. As the mirror rotates, the area of the drum that the reflected beam strikes changes. This is the horizontal scan of the laser. To properly charge the drum, the laser shutter

controls when the laser beam will actually strike the drum. When one horizontal scan is completed, the drum is advanced one dot space and the process is repeated. The characters are actually formed through a series of dots, much like a dot matrix printer.

As the drum is rotated, it passes by the toner reservoir. The toner consists of a very fine powder of metal, dyes, and plastic particles that are easily attracted by static electricity. As the exposed drum passes by the toner, the positively charged areas of the drum attract the toner while the other areas remain clean.

While all this is happening, the paper-feed section of the printer picks one piece of paper from the tray. The paper is lined up with the registration rollers and is ready to be printed on. The paper is passed over the transfer corona at the same time the charged area of the drum is over the paper path. The transfer corona charges the paper at a higher charge than the drum, pulling the toner from the drum to the paper. The paper never actually contacts the drum.

The image is now on the paper but it is not permanent. The paper is fed through the fusing rollers. The fusing rollers apply heat and pressure to the paper, causing the toner to melt and permanently bind to the

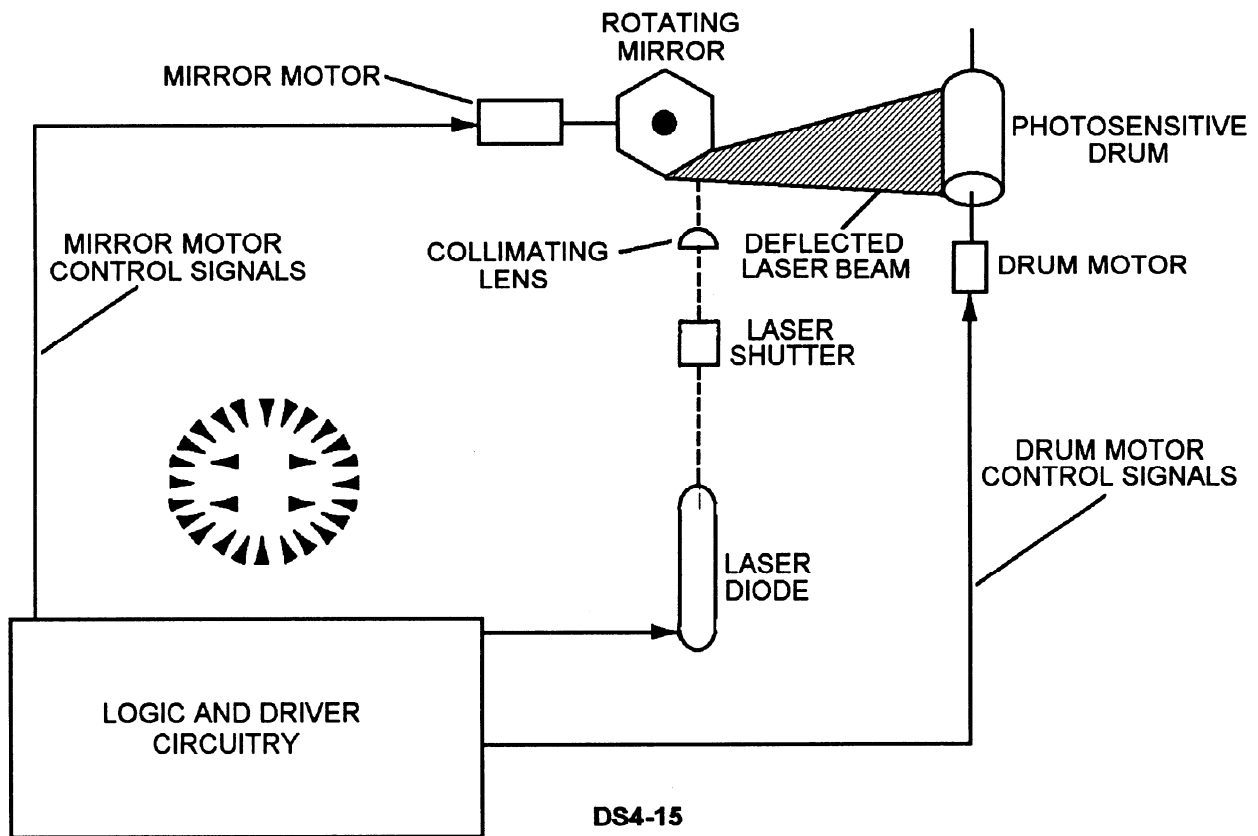


Figure 12-14.—A laser imaging system.

paper. Because the toner is melted to the paper, the print appears very smooth and loses the appearance of dots that are common with dot matrix printers.

The coating of the print drum is very soft. It can be easily scratched or chipped. Once the print drum has a scratch or chip in it, that area will show up as a blotch or line on all subsequent copies. Also, any of the rollers can get bent, scratched, or develop some type of irregularity and cause blotches. How do you determine what part failed? All of the rollers and the drum shown in figure 12-13 are different sizes. By measuring the spacing between the blotches on the paper, you can get a fairly good idea which area has the problem. Table 12-3 lists the approximate circumferences of the rollers in most laser printers.

### Laser Printer Page Languages

Currently there are two basic types of desktop laser printers, the Hewlett-Packard (HP) and the Adobe PostScript. Each has its own page description language. Just about all laser printers use or emulate one of these two languages.

**HEWLETT-PACKARD SYSTEM.**— When Hewlett-Packard developed its LaserJet series of printers, the fonts were largely developed from the existing dot matrix printer bit maps. A bitmap is a table that tells the printer when and where to place the dots. With the Hewlett-Packard system, a font definition is required for each font to be printed. Fonts can be resident in the printer's ROM, contained in a font cartridge which holds additional ROMs, or they can be soft fonts. Soft fonts are loaded into your computer's memory and transferred to the printer's RAM as they are needed.

Table 12-3.—Laser Printer Roller Circumferences

ROLLER	APPROXIMATE CIRCUMFERENCE
Upper registration roller	1.5 inches
Lower registration roller	1.75 inches
Transfer roller	2.0 inches
Lower fusing roller	2.56 inches
Upper fusing roller	3.16 inches
Photosensitive drum	3.75 inches

These printers offer very high resolution, a large variety of fonts, and the capability to print graphics. Depending on the model and manufacturer, the Hewlett-Packard and compatible laser printers, can print from four to eight pages of text per minute. Printing graphics can slow down the printer considerably.

**POSTSCRIPT PRINTERS.**— The PostScript family of printers, developed by Adobe Systems, uses an entirely different method for defining characters and graphics. Where the HP system needed a definition for each size font, the PostScript printer needs only one definition for each character in a character set. The definition of the font is a series of mathematical calculations instead of a fixed number of dots. From this definition, the PostScript printer uses mathematical scaling of the character to print it any size from 5 to 5,000 points.

By being described mathematically, the image can be manipulated in a number of ways. It can be rotated, shrunk, expanded, twisted, shadowed, or placed in a 3-dimensional prospective.

With the exception of how characters are defined, the basics of the PostScript printer are the same as the HP printer. They both use the same print mechanisms and interfaces.

### ELECTROTHERMAL PRINTERS

Electrothermal printers use the heat of wires or pins to create images on a special heat sensitive paper. The paper changes color when exposed to heat, allowing the characters to appear.

### INK JET PRINTERS

Ink jet printers form images and characters by spraying fine drops of ink on the paper. The most common type of inkjet printer is the **drop-on-demand** print head. Drop-on-demand printing means that ink is ejected out of the nozzles as needed.

Figure 12-15 shows a typical inkjet print head. The ink in the reservoir is fed to the nozzles. Characters are formed by spraying the ink in a series of dots, similar to the dot matrix printer. At the output of each nozzle is a small piezoelectric crystal that vibrates when an electric signal is applied to it. The piezoelectric crystals act as small pumps to squeeze the ink out. When a dot is needed, the control circuits send a driver signal to the crystal, which causes it to vibrate, squeezing the nozzle tube and forcing a drop of ink onto the paper.

Some ink jet printers use the **bubble jet** printing process. In this process, the piezoelectric crystals are replaced with small heaters. When a drop of ink is needed, a pulse applied to the heaters causes an air bubble to form in the ink nozzle. This rapidly expanding air bubble forces a drop of ink out of the nozzle and onto the paper. When the drive pulse is removed, the heaters cool almost instantly, creating a vacuum in the nozzle, which draws more ink from the reservoir.

Ink jet printers produce letter quality print. They are quiet, fast, and flexible. Some color printer manufacturers prefer the ink jet method for printing. To print color, three print heads are activated simultaneously. The amount of each primary color sprayed on the paper combines with the others to form all the colors of the spectrum.

### SUMMARY—PRINTERS

This chapter has introduced you to the basic concepts of several different printers and printing techniques. The following information highlights important points you should have learned.

**FUNDAMENTALS OF PRINTING**— All printers exist to transform electronic digital data to a hard copy that we humans can comprehend. To ensure that printers and the host computer are speaking the same language, several printing standards have been developed.

**CHARACTER SETS**— A character set defines all the characters a printer can print. The original character set is known as the American Standard Code for Information Interchange, or ASCII codes. With the development of graphic capable printers, most word processing programs offer a wide range of character sets.

**LINE CHARACTERISTICS**— Line characteristics refers to how the characters are printed on a page. They include the typeface, spacing (fixed or proportional), and size.

**ORIENTATION**— Orientation is how the text is printed on a page: portrait or landscape. In portrait mode, text is printed across the width of the page; in landscape mode, text is printed across the length of the page.

**BASIC PRINTER CHARACTERISTICS**— All printers have several functions in common: interface section, control section, control panel, paper-feed assemblies, and power supply.

**INTERFACE SECTION**— The interface section controls the exchange of data between the host computer and the printer. There are several types of interfaces. Mainframe computers used with shipboard systems use standard NTDS interface protocols. Minicomputers and personal computers use either a

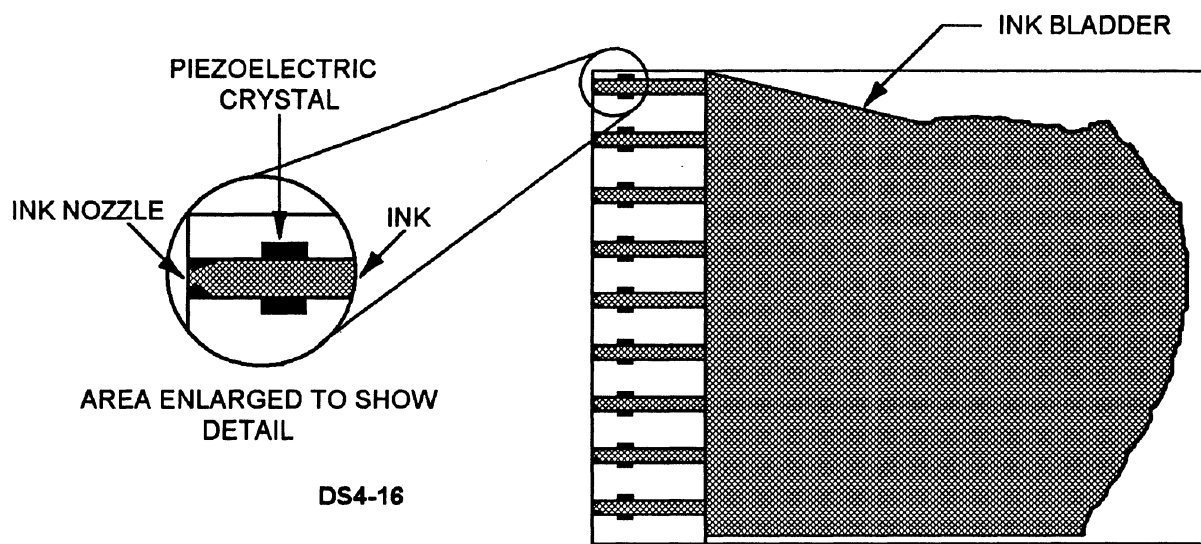


Figure 12-15.—An ink jet print head.

serial or parallel interface. Among these, the RS-232 is the most common serial interface and the Centronics parallel interface is the most common parallel interface.

**CONTROL SECTION**— The control section of a printer receives data from the interface section, decodes the data to determine whether it is a control word or data to be printed. The control section will then take the appropriate action.

**CONTROL PANEL**— The control panel lets the operator set some of the operating parameters of the printer and paper.

**PAPER-FEED ASSEMBLIES**— The paper-feed assemblies move the paper through the printer. Tractor feed and friction feed are two main types of paper feed.

**POWER SUPPLY**— The printer's power supply converts the ac line voltage to the required voltages for the printer to operate.

**IMPACT PRINTERS**— Impact printers form the characters by striking a device, such as a print hammer or print wire, against an inked ribbon and the paper.

**LINE PRINTERS**— Line printers are capable of printing at high speeds. They use rotating print drums, print chains, and print bands with raised character dyes

to print characters. Character sets with these printers are limited to the characters on the drum, chain, or band.

**CHARACTER PRINTERS**— Character printers print one letter or character at a time. Two of the more common character printers are the dot matrix printer and the daisy wheel printer. The dot matrix forms characters using a series of print wires. The daisywheel printer uses a small plastic wheel with the character dyes on the spokes of the wheel.

**NONIMPACT PRINTERS**— Nonimpact printers use methods other than striking the paper through an inked ribbon.

**LASER PRINTERS**— Laser printers are a type of electrostatic printer that produce a very high resolution output. The laser printer uses a laser diode to form the image to be printed on a charged photosensitive drum.

**ELECTROTHERMAL PRINTERS**— Electrothermal printers form characters on a special heat sensitive paper. Small heaters are activated to form the characters, and the heat causes the paper to change color.

**INK JET PRINTERS**— Ink jet printers use a fine spray of ink to paint characters on paper.





## CHAPTER 13

# DATA CONVERSION DEVICES AND SWITCHBOARDS

## INTRODUCTION

Data conversion is the process of modifying a signal into a form usable by the destination equipment. This conversion can be analog-to-digital (A/D), digital-to-analog (D/A), or digital-to-digital (D/D). An analog-to-digital converter is a device that converts a continuously variable input signal into a representative number sequence. A digital-to-analog converter (DAC) produces an analog signal proportional to the digital value. In digital-to-digital conversion, data is manipulated into a form usable by the destination equipment. This could consist of changing the logic levels of the signal or shifting data.

Switchboards are used to interconnect various combat direction systems' equipments with each other and with other shipboard systems.

**After completing this chapter, you should be able to:**

- **Define digital-to-analog and analog-to-digital conversion**
- **Define sampling, quantization, encoding, Gray code, and binary-coded decimal (BCD) as these terms apply to data conversion**
- **Describe the operation of synchro systems**
- **Describe the operation of a multiplexing data converter**
- **Describe the operation of manual and remotely controlled digital and analog switchboards**

---

### TOPIC 1—FUNDAMENTALS OF DATA CONVERSION

Shipboard data conversion equipment handles a variety of types of data when communicating with other shipboard subsystems and equipment. In a number of instances, digital equipment must communicate with one or more analog or digital devices. A variety of equipment is installed throughout the fleet. Data conversion equipments encompass a large number of multifunction (MULTIPLEXED) and single function devices.

In general terms data conversion falls into three main categories: **analog-to-digital conversion,**

**digital-to-analog conversion,** and **digital-to-digital conversion.** Within each of these categories, there are several different types of conversions, each unique in its own way.

### ANALOG-TO-DIGITAL (A/D) AND DIGITAL-TO-ANALOG (D/A) CONVERSIONS

An analog signal is a signal that varies continuously with time. Its amplitude or other variables such as frequency or phase represent a value within a given set of limits. For instance, different values may be expressed or transmitted by changing the amplitude of

the signal. Digital quantities on the other hand are represented by binary numbers (ONES and ZEROS). The binary ONES and ZEROS indicate the value at a particular instant in time. Each bit position represents a portion of the overall quantity. The summation of the value of the set bits (ONES) is normally the quantity to be represented. By setting or clearing particular bit positions in the binary word, different values within a set of limits may be expressed.

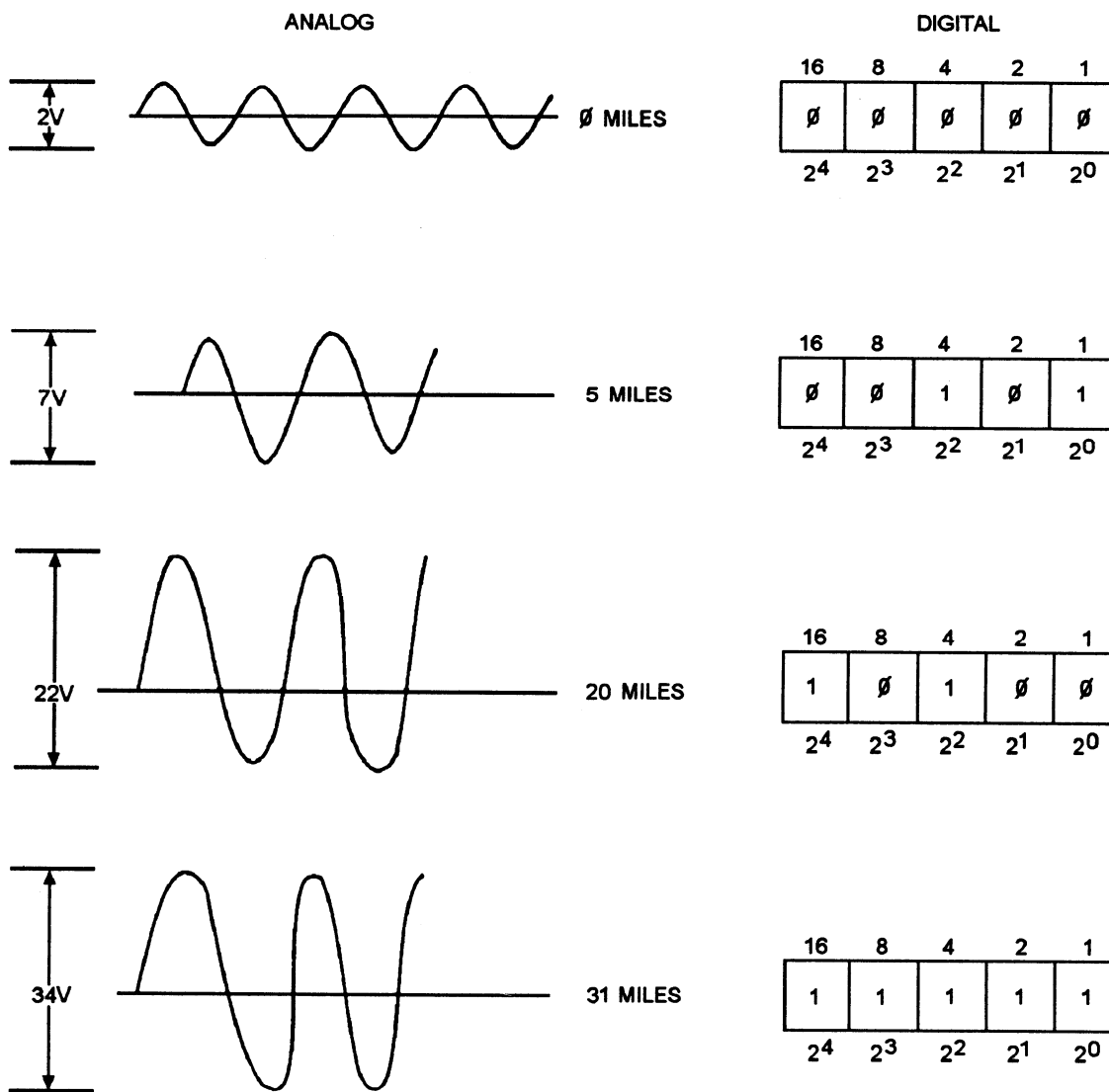
### ANALOG AND DIGITAL QUANTITY COMPARISONS

Let's compare an analog quantity and a digital quantity representing the same **range of values**, say from 1 to 31 miles. The analog signal will be a **linear** single-phase ac sine wave. The ac signal is variable between 2 volts and 34 volts peak to peak. An

amplitude of 2 volts peak to peak will indicate 0 miles, the **minimum limit** value, and an amplitude of 34 volts will indicate a value of 31 miles, the **maximum limit**. In this example, the increasing signal amplitude indicates an increase in range in miles.

The digital value will be expressed by five binary bits. Each bit position when set (a binary ONE) indicates a portion of the quantity. Bit  $2^0$  indicates a value of 1 mile, bit  $2^1$  a value of 2 miles, bit  $2^2$  a value of 4 miles, bit  $2^3$  a value of 8 miles, and bit  $2^4$  a value of 16 miles. Zero miles is indicated when all bits are clear (binary ZEROS). The maximum of 31 miles is indicated when all bits are set (binary ONES), 31 miles being the sum of the value of all the set bits ( $1+2+4+8+16=31$ ).

Figure 13-1 shows the analog and digital representations of the same quantity through the range



ETFC0136

Figure 13-1.—Analog and digital quantity comparisons.

of the values. At 0 miles, the analog signal is 2 volts peak to peak and the digital value is all ZEROS. For an indication of 5 miles, the analog signal increases to 7 volts peak to peak and the digital value now has bits  $2^0$  and  $2^3$  set. At 20 miles, the ac signal has increased to 22 volts peak to peak and bits  $2^2$  and  $2^4$  are set in the digital value. Finally when the maximum value is reached, the ac signal is 34 volts peak to peak and the digital value has all its bits set.

You should be aware that the values we have covered are extremely limited compared to the capabilities of most analog and digital devices. Much greater accuracy and ranges are commonly encountered; however, the basic fundamentals you have just learned will apply.

## THE ANALOG-TO-DIGITAL CONVERTER

An analog-to-digital converter is a device or component of a larger device that receives an analog signal and converts it into a digital quantity with a given accuracy and resolution. The analog signal input is compared to a given **reference signal**, and the difference between signals is used to compute the digital quantity indicated by the analog signal. The reference signal is normally equivalent to the maximum value of transmitted data.

The basic analog-to-digital conversion process can be divided into a series of operations. Each operation performs a specific task in the conversion process. The analog-to-digital conversion operations are **sampling**, **quantization**, and **encoding**.

### Sampling

Sampling is the first operation that takes place in an analog-to-digital conversion. Basically, the inputted

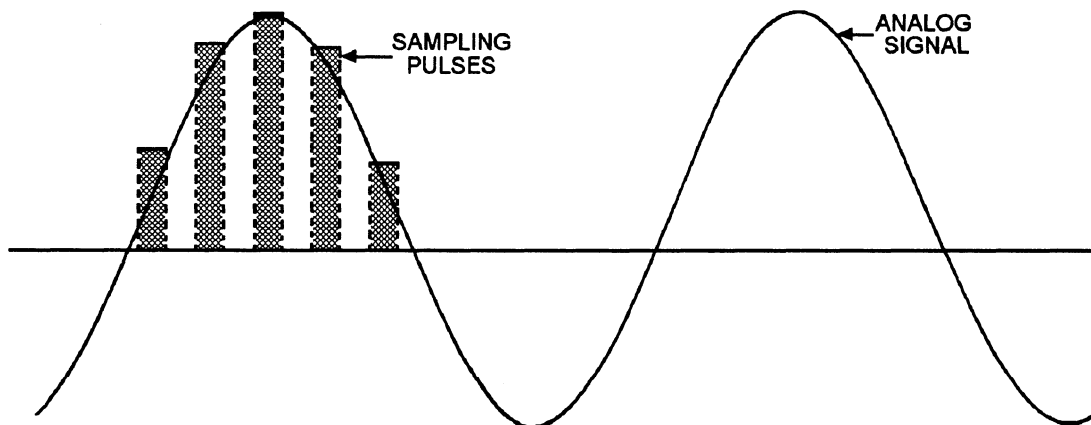
analog signal is sampled or tested repeatedly over a period of time. This is done to determine the characteristic that contains the analog quantity, such as the signal's amplitude. A constantly varying input must be sampled at a much higher frequency than its own to ensure the accuracy of the conversion. Figure 13-2 shows a pulsed sampling of an ac signal. For each sample taken, a voltage level is determined. By comparing the voltages detected by the sample pulses, the largest voltage would tend to indicate the peak and hence the amplitude of the input signal. A sampling is performed on an analog signal only when a conversion is required.

### Quantization

Quantization takes the sampled analog value and converts it to the nearest binary value or quantity. The accuracy of a binary quantity is limited to the value of the least significant bit ( $2^0$ ). In the example in figure 13-1, bit  $2^0$  was the 1 mile bit, meaning the smallest value that could be indicated was 1 mile and the greatest accuracy was plus or minus 1 mile. Smaller values of  $1/2$  or  $1/4$  miles or less could not be indicated. Quantization, in effect, **rounds out** the conversion to the value of the least significant bit (LSB).

### Encoding

The encoding operation reduces the result of the conversion to a binary code acceptable to the digital equipments that use the data. There is a variety of coding systems in use. You have already been introduced to one of the most common ones, **natural binary code**. This binary code expresses quantities as a weighted sum. Each bit position represents a specified value when set. The sum of the values of the set bits defines the value of the quantity. The bit with



ETFC0137

Figure 13-2.—Sampling pulses.

the greatest weight is the most significant bit (MSB). The bit with the least weight or representing the smallest value is the least significant bit (LSB). Natural binary code is used in a system of digital data transmission and conversion called **binary angular measurement (BAM)**. Other coding systems such as **Gray code** and **binary-coded decimal (BCD)** are also used by analog-to-digital converters.

**BINARY ANGULAR MEASUREMENT.—**

Binary angular measurement words (BAMs) are standardized binary words used to transfer angular measurements between shipboard tactical data system equipments. BAM data words are used to transfer quantities between digital equipments, from digital equipments to D/A converters, or from A/D converters to digital equipments.

BAM data words are specifically designed to indicate up to 360 degrees of angular values in binary form, often in **steps** or **increments** of as small as 0.009766 degree (the LSB value). Figure 13-3 shows one example of a BAM word. This 12-bit word ( $2^0$ - $2^{11}$ ) can indicate 360 degrees of angle in steps of 0.088 degree. The LSB is equal to 0.088 degree when set (ONE), while the MSB is equal to 180 degrees when set. When all 12 bits are set, a maximum angle of 359.902 degrees is indicated. ZERO or 360 degrees is indicated when all bits in the BAM data word are clear (ZEROS).

BAM words are also used to transmit non-angular values such as **range** or **height**. When non-angular values are being used, the LSB value indicates the smallest step or increment of the quantity being transmitted. The MSB value represents half the maximum value that may be transmitted. The sum of all bits when set indicates the maximum quantity that can be transmitted. This corresponds to the 0- to

360-degree capability of common shipboard synchro systems.

**GRAY CODE.—** Gray code or reflected binary code is used in devices where a transition from one consecutive value to another takes place, such as angular measurement and encoding. The code is designed to change from one value to the next with only one bit change. Table 13-1 shows the relationships between Gray code, BCD, and natural binary code.

**BINARY-CODED DECIMAL (BCD).—** BCD represents decimal values with a 4-bit code, called the 8-4-2-1 code. Each of the 4-bit groupings represents one decimal digit. BCD encoders allow for immediate decimal display of the converter output. They are found in such devices as digital voltmeters and other types of decimal display devices. Table 13-1 shows the relationships between BCD, Gray code, and natural binary code.

**SYNCHROS**

Up to this point, we have discussed basically single-phase analog data signals. One of the most common shipboard analog signals requiring conversion is the 3-phase or 5-wire synchro signal. Synchros are used throughout naval ships for the rapid transmission of analog information between equipments and stations. They are found in just about every weapon, communication, underwater detection, and navigation system in use in the Navy. Numerous kinds of information involving **angular displacement** or **ranges of values** are transmitted. For the combat direction system (CDS) equipments to use this information, the synchro signals must be converted to their digital equivalent. The following information provides a limited overview of synchros as they apply to digital systems and synchro-to-digital (S/D) conversion.

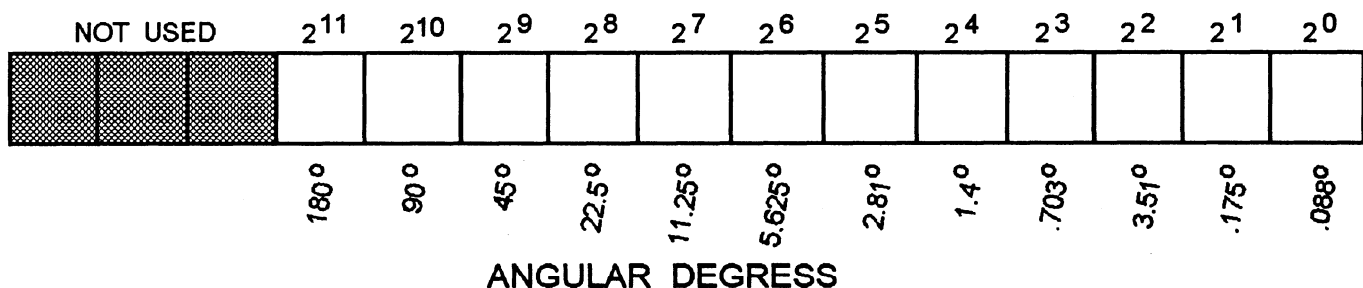


Figure 13-3.—A 12-bit binary angular measurement (BAM) word.

ETFC0138

Table 13-1.—Comparison of Binary-Coded Decimal (BCD), Gray Code, and Natural Binary Code

DECIMAL	BCD	GRAY CODE	NATURAL BINARY CODE
0	0000 0000	0000	0000
1	0000 0001	0001	0001
2	0000 0010	0011	0010
3	0000 0011	0010	0011
4	0000 0100	0110	0100
5	0000 0101	0111	0101
6	0000 0110	0101	0110
7	0000 0111	0100	0111
8	0000 1000	1100	1000
9	0000 1001	1101	1001
10	0001 0000	1111	1010
11	0001 0001	1110	1011
12	0001 0010	1010	1100
13	0001 0011	1011	1101
14	0001 0100	1001	1110
15	0001 0101	1000	1111

## Synchro Systems

The term *synchro* is an abbreviation of the word *synchronous*. It is the name given to a variety of rotary, electromechanical, position sensing devices. Synchro signals are used to transmit the **angular position** (0 to 360 degrees) of a rotor shaft in a **synchro transmitter**. When the signals are applied to one or more **synchro receivers**, the rotor shaft in each receiver is positioned to match the transmitter's shaft position (figure 13-4). In this example, the receiver shaft in turn drives an indicator dial to display the transmitted information.

The combination of synchro transmitter and receivers is called a **synchro system**. There are two major classifications of synchro systems: torque systems and control systems.

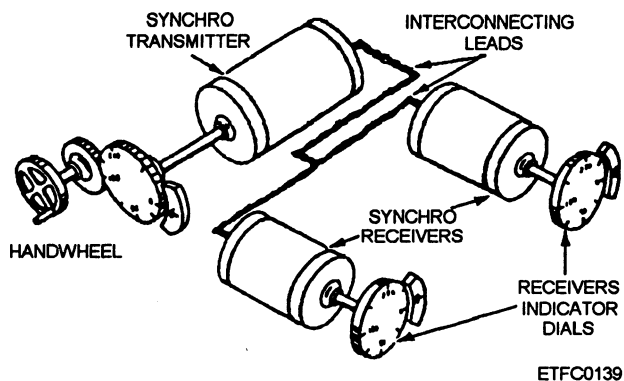


Figure 13-4.—Torque synchro system transmitter and receivers.

**Torque systems** provide torque or turning force to drive light loads such as indicator dials, pointers, or other mechanical outputs.

**Control synchro systems** provide an electrical output used to control the power that performs mechanical work. The control synchro normally feeds a control transformer, not a control receiver. The control transformer output is fed to devices such as a servo system to control larger systems and devices.

The synchro signals converted by CDS equipment may be either control synchro signals or torque synchro signals; however, control synchro signals are preferred because they are generally more accurate than torque synchro signals.

**OPERATING VOLTAGES AND FREQUENCIES.**— Most shipboard synchro systems operate on a supply voltage of 115 volts ac at a frequency of 60 or 400 Hz. Synchros operating at 115 volts 400 Hz are generally more accurate than the 60-Hz synchros. Most newer weapon systems use 400-Hz synchros exclusively.

**SINGLE-SPEED, MULTISPEED, AND DUAL-SPEED SYNCHRO SYSTEMS.**— The accuracy of the data to be transmitted is a factor in any synchro system. If the data covers a wide range of values, then the basic synchro system is unable to detect small changes in the data. When this happens, the accuracy of the system decreases. Multispeed synchro systems were developed to correct this deficiency.

**Multispeed synchro systems** use more than one speed of data transmission. The speed of data transmission is the number of times the synchro transmitter rotor must turn 360 degrees to transmit a full range of values. In a 1-speed system, one rotation of the transmitter rotor covers the full range of values. The

rotor is geared to its mechanical input and one rotation of the input results in one revolution of the transmitter's rotor. The speed of a synchro transmitter is tied to the gear ratio between the mechanical input to the transmitter and the transmitter's rotor; that is, 1:1, 36:1, and so on.

In a 36-speed synchro system, the rotor of the synchro transmitter is geared to rotate 36 times for one revolution of the input shaft (36:1). Units transmitting data at one speed (1-speed, 36-speed, and so forth) are called **single-speed synchros**. The entire range of data to be transmitted is contained in the output of the single-synchro transmitter.

It is quite common for shipboard synchro systems to transmit data using two different speed synchros with the same reference or supply voltage. For example, ship's course (ownship's heading) information is usually transmitted to other locations using a 1-speed synchro and a 36-speed synchro. A synchro system that transmits data using two different speed synchros is called a **dual-speed synchro system** or a double-speed synchro system.

**COARSE AND FINE DATA TRANSMISSION.**— Dual-speed synchro transmissions are combined to improve the accuracy of the data transmitted. The use of two transmitting synchros allows for a **coarse** value and a **fine** value to be sent at the same time. The synchro with the lowest ratio (1:1) sends the coarse value. The synchro with the highest ratio (36: 1) sends the fine value. The coarse and fine values transmitted can be likened to the hour and minute hands of a clock. The course value represents the time in hours. The fine value represents the time in minutes. The two values must be combined to give the time in hours and minutes.

Let's look at a coarse synchro and a fine synchro transmitting an angular position such as ship's course (ownship's heading), which can be from 0 degrees to 359 degrees true. The coarse synchro (1:1) indicates 360 degrees of ship's course with one rotation. However, the accuracy of the data is limited to plus or minus 1 degree of heading. This degree of accuracy is not enough for most navigation systems to keep an accurate track of ship's movement. The fine synchro (36:1) rotates 36 times for each rotation of the coarse synchro. This means the fine synchro rotates once each 10 degrees (360/36). Within its 10-degree segment, the fine synchro is 36 times as accurate as the coarse synchro. The use of dual-speed synchros requires two S/D conversions to take place; one to determine the position of the rotor in the coarse synchro transmitter

and one to determine the position of the rotor in the fine synchro transmitter.

**SYNCHRO SIGNALS.**— A single-speed synchro transmitter outputs three waveforms that indicate the angular position of the rotor in the transmitting synchro, for example a control transmitter (CX). Waveforms are induced in the stator coils by the magnetic field of the rotor coil. The two rotor connections of the CX (R1 and R2) are fed from a 115-volt ac supply voltage (also called the **reference voltage**). This voltage is also fed to the synchro-to-digital (S/D) converter circuitry. The reference voltage is important in the conversion process. It provides a reference for the S/D converter to use when sampling the stator voltages.

The amplitude of the voltage output between the stators (S1 to S2, S1 to S3, and S2 to S3) at any instant is dependent on the position of the rotor in the CX. The 115-volt supply voltage induces an ac voltage into the stator windings. The phase relationship of the signals induced on each stator winding is dependent on the angular position of the rotor within the CX. The rotor can normally be rotated 360 degrees within the synchro. The range of values being transmitted is tied to this 360 degree rotation. The minimum value is normally transmitted with the rotor at the 0-degree position and the maximum value is sent when the rotor is positioned to approximately 359 degrees.

All three stator signals are ac voltages that have the same characteristics (frequency and amplitude). They have a 120-degree phase difference (phase displacement) from each other due to the 120-degree separation of the wye windings of the stator coils in the synchro transmitter. At any instant, a phase relationship exists between the rotor supply (excitation) voltage and the three stator voltages. This phase relationship is the key to the S/D conversion process.

Basically, the phase relationship of the individual stator voltages, across terminals S1, S2, and S3, varies with the rotor supply voltage (R1-R2) as the rotor is rotated within the synchro transmitter. Each position of the rotor has a unique stator voltage phase relationship to the supply (reference) voltage. At any instant, the amplitude and polarity of the stator signals when compared to the supply voltage indicate the angular position of the rotor.

For dual-speed synchro systems, two sets of stator voltages are transmitted, one set for the coarse synchro and one set for the fine synchro. A single supply voltage (reference) is used for both synchro

transmissions. In other words, both speeds are converted using the same reference signal.

### Synchro-to-Digital (S/D) Conversion

Two methods are currently in use to convert synchro data to digital words (BAMs): the **sector** method and the **octant** method. Both methods of conversion require a reference voltage input for conversion to take place.

**SECTOR CONVERSION.**— The sector conversion method uses the reference voltage to determine the time to sample the stator voltages for conversion to take place. The ideal time to sample the stator voltages is when the reference voltage is at or near the positive or the negative peak of its cycle.

**Sixty-Degree Sector Determination.**— Once the negative or the positive peak of the reference is detected, the sector in which the rotor is positioned may be determined. There are six 60-degree sectors within the 360-degree rotation of the rotor. The relationship of the stator voltages to the reference defines the sector. Table 13-2 shows the sector limits and the phase relationship of the stator voltages to the reference in each sector.

**Stator Voltage Selection.**— When the sector angle is determined, two of the three stator voltages are used to identify the ratio angle within the sector. The ratio angle is determined by a ratio between the two voltage samples. The two stator voltages selected depend on the sector. The appropriate voltages are gated to the conversion circuitry and converted to binary data. The sector angle and the ratio angle of the two stator voltages are summed to determine the binary angle of the rotor position in BAMs.

Table 13-2.—Phase Relationship of Stator Voltages to Reference

SECTOR	S1	S2	S3
330-30	IN	OUT	IN
30-90	IN	OUT	OUT
90-150	IN	IN	OUT
150-210	OUT	IN	OUT
210-270	OUT	IN	IN
270-330	OUT	OUT	IN

**OCTANT CONVERSION.**— The octant conversion method divides the 360 degrees of angular measurement into eight 45-degree octants. The conversion process first defines the octant and then the binary representation of the trigonometric angle within the octant.

**Octant Determination.**— The 5-wire synchro signal (R1, R2, S1, S2, and S3) is first converted into two dc voltages representing the sine and cosine of the synchro angle. The polarity of the sine and cosine voltages and their respective amplitude to each other are used to select the octant that defines the three most significant bits of the BAM word (figure 13-3).

**Successive Approximations.**— The remaining bits of the BAM word are determined through a process of successive approximations. The sine and cosine voltages are combined into a ratio voltage that is used to determine the condition of each of the remaining bit positions in the BAM word, starting at the MSB of the remaining bits. A trial and error method is used. A trial binary angle is generated and tested against the ratio angle until the trial angle equals the ratio angle, completing the conversion process.

### Single-Speed/Dual-Speed Synchro Conversions

Synchro-to-digital conversions do not occur on a continuous basis. The synchro data is sampled as required by the controlling computer, usually on a periodic basis. A single BAM word is generated by the S/D conversion for both single- and dual-speed synchros. When dual-speed synchro data is being converted, two S/D conversions are required to generate one BAM word. The coarse synchro signal is converted immediately before the fine synchro signal. The summation of the two conversions is represented by a single binary word, indicating one angular value. Conversions for single-speed synchros are considered coarse conversions only.

**NOTE.**— For more detailed information on synchros and synchro systems, refer to NAVEDTRA 172-15-00-80, NEETS, Module 15, *Principles of Synchros, Servos, and Gyros*.

### DIGITAL-TO-ANALOG CONVERSION

Digital-to-analog (D/A) conversion is required when digital devices must communicate with an analog system or equipment. Three types of D/A conversion are commonly encountered on shipboard systems: **digital-to-linear**, **digital-to-scalar**, and **digital-to-synchro** (D/S). Linear signals are ac or dc voltages that

normally represent a quantity based on their amplitude with respect to a reference voltage. Scalar signals consist of two waveforms that represent the sine and cosine of an angle. The device that performs these types of conversions is a digital-to-analog converter (DAC). The DAC may be either a component of a larger device or a stand-alone equipment such as the Digital-to-Analog Converter CV-2517B/UYK.

Digital-to-synchro conversion is required when communicating with systems that use synchro data transmission. Digital-to-synchro converters are usually found as components of multipurpose conversion equipment. However, a DAC may be modified with a scott-tee transformer to generate synchro signal outputs from scalar voltage waveforms.

### DIGITAL-TO-LINEAR/SCALAR CONVERSION

A digital-to-analog converter (DAC) is a device that receives digital information in the form of a binary word and transforms that information into variations of an analog signal. The DAC outputs an analog signal derived from a reference signal. Normally both the converter and the analog device receiving the data operate off of the same reference. The reference signal is normally greater than or equal to the maximum limit of the output of the converter.

The continuous output signal is varied in **steps** based on the binary inputs to the converter. BAMs are normally used as the binary input for CDS DACs. As a bit position changes in the binary data, the output signal is stepped up or down, based on the value of the bit position or bit positions changed in the input. The output signal only changes when the input data changes.

Each converter outputs a single proportional voltage signal. This signal is suitable for linear operations. Two converters are required for scalar or synchro conversions. Two separate proportional voltages must be developed to represent the scalar sine/cosine angle which may in turn be fed to a scott-tee transformer to generate a 3-wire synchro signal.

### THE DIGITAL-TO-ANALOG CONVERTER CV-2517B/UYK

The Digital-to-Analog Converter (DAC) CV-2517B/UYK is a multipurpose converter capable of accepting parallel digital data and converting it to 400-HZ linear, resolver, or synchro outputs. The DAC (figure 13-5) provides the means for digital combat direction systems to communicate with analog gun, electronic countermeasures (ECM), or sonar subsystems.

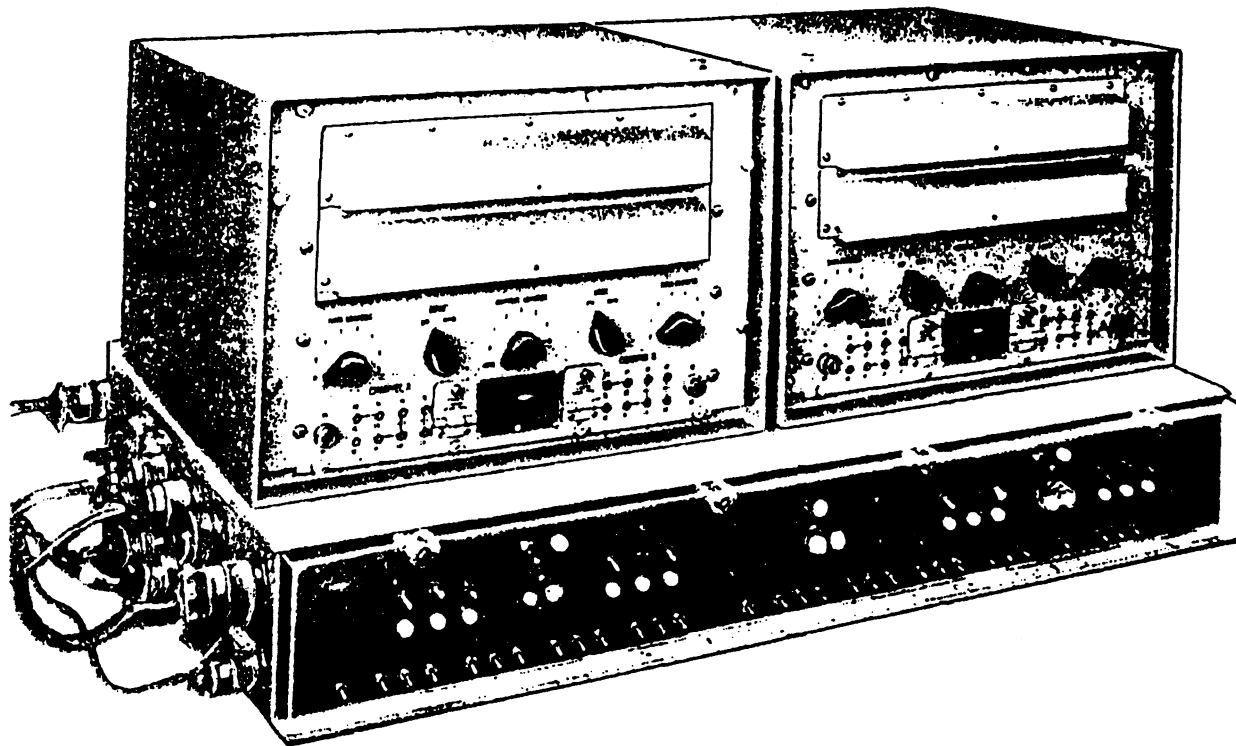


Figure 13-5.—DACs and mounting base.

ETFC0140



The DAC is mounted on an Electronic Equipment Mounting Base MT-3574B/USQ-20(V), referred to as a BASE. The BASE can accommodate two DACs, as shown in figure 13-5. It provides all electrical interfaces, selects DAC operating modes (TRIGONOMETRIC or LINEAR), and provides simulated digital data for test purposes.

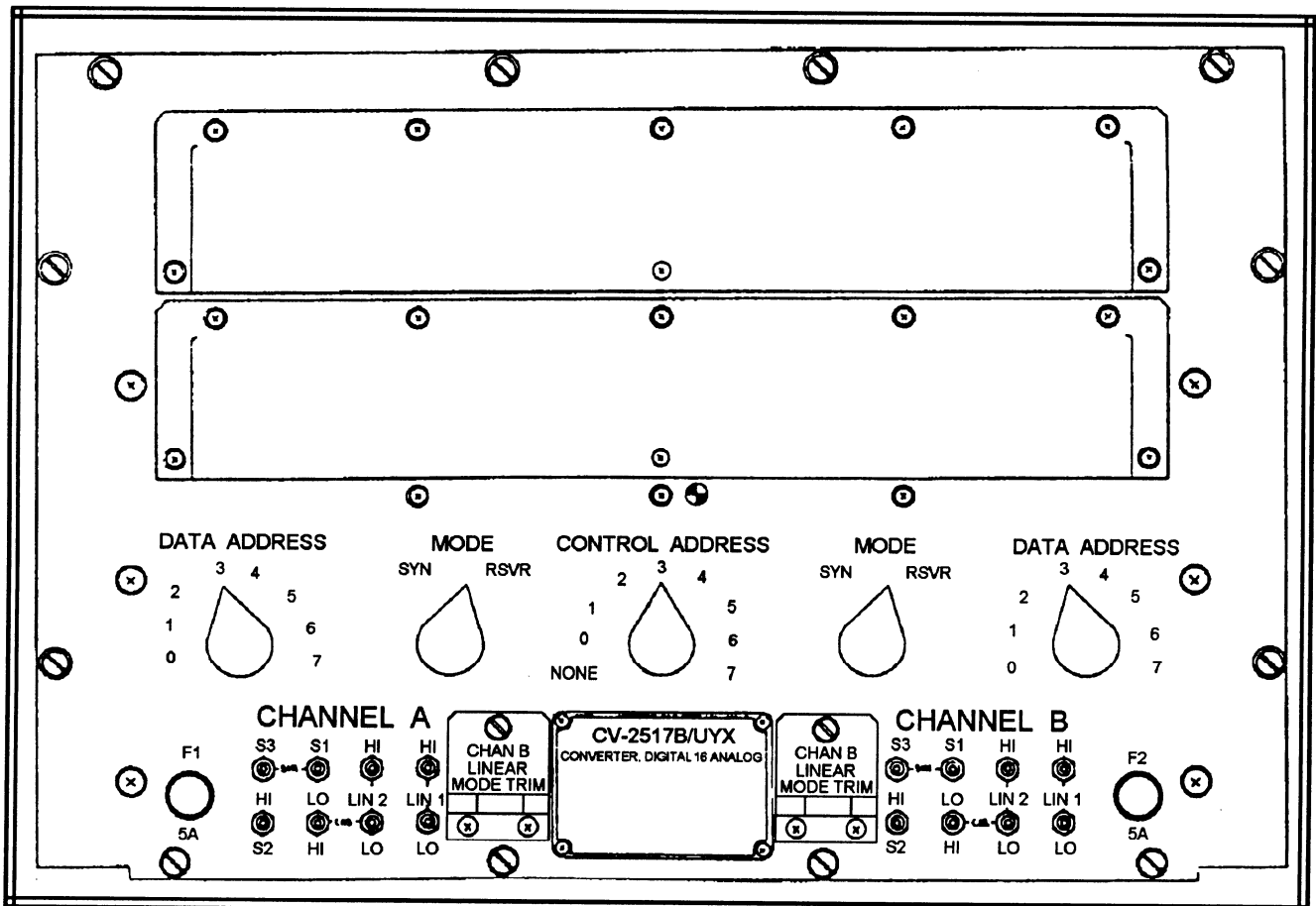
There is an accessory to the DAC called the Analog-to-Analog Converter (AAC) CV-2518/UYK. The AAC provides signal conversion from linear ac to linear dc or linear dc to linear ac.

Each DAC is divided into two identical channels, designated channels A and B. Each channel can output two linear voltages, a sine/cosine resolver (scalar), or a single-speed synchro, depending on the operational mode selected. For simplicity, only one base with one channel of a DAC connected in the converter 1 position is covered here. The base and converter operate as one unit and are discussed as one.

The DAC normally receives computer output from a 30-bit parallel keyset central multiplexer (KCMX)

digital output channel (DOC). Both the KCMX and DOC functions are covered in this chapter. The output passes through the mounting base, which is transparent for normal computer operations. The output buffer consists of an external function (EF) word, a control address word, and up to eight data words. The EF word master clears the DAC and initiates the receive data from unit computer (RDUC) operations. The control address word defines the control address of the DAC to receive the data words. The individual DAC's control address is set using the eight-position CONTROL ADDRESS switch on the DAC front panel (figure 13-6). If the data is properly addressed to the DAC, the DAC initiates RDUC operations to process the data words coming from the computer.

Each data word contains a data address code (0-7) to define the DAC channel (A or B) that is to process the data. Both DAC channels receive the data; however, only the channel with the CHANNEL DATA ADDRESS switch in the position to match the data address will process the data.



ETFC0141

Figure 13-6.—DAC front panel.

## DAC Functional Description

The DAC can be divided into three major sections: the digital section, the analog section, and the power supply section, as shown in figure 13-7.

**DIGITAL SECTION.**— The digital section processes the EF word and the control address word upon receipt of the EF signal from the computer. If the control address matches the channel A or B address, the digital section generates the output data request (ODR) signal to the computer to start the data word processing. The computer provides a data word along with the output acknowledge (OA) signal. The converter then drops the ODR indicating it has accepted the data. The data bits are fed to the digital section holding registers for the applicable channel and subchannels. The output of the holding registers is fed to the analog section for conversion to proportional voltages.

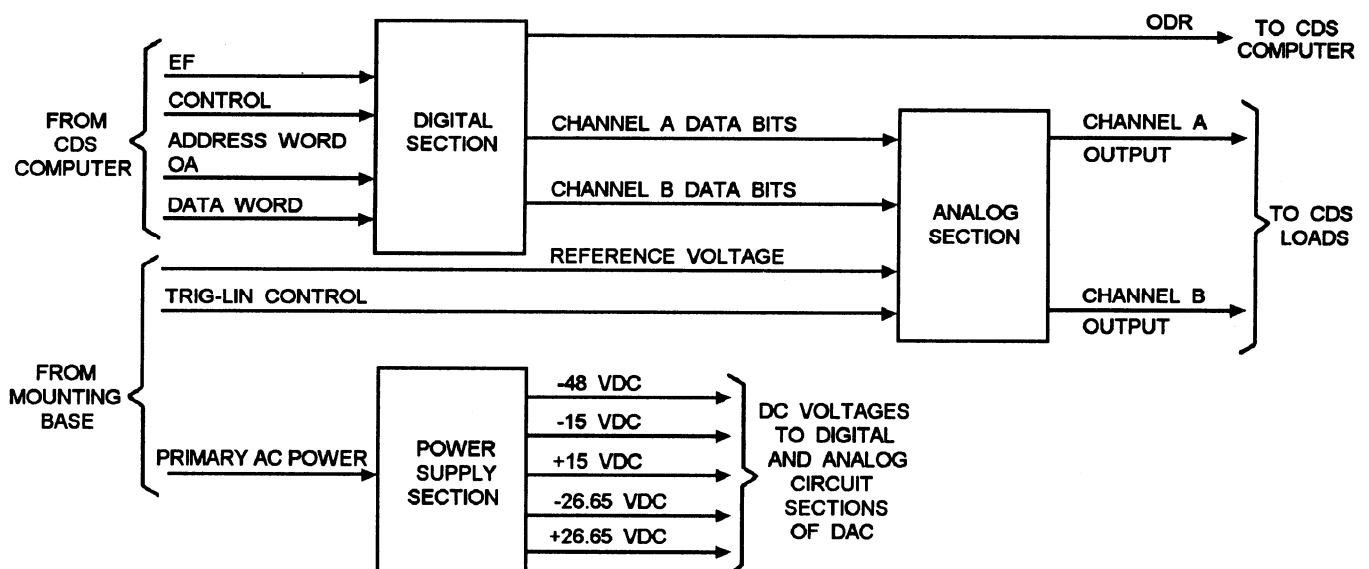
**ANALOG SECTION.**— The primary function of the analog section is to convert the data words received from the digital section into proportional analog voltages. The form of the analog output is dependent on the mode of operation (TRIG or LINEAR) and, during the TRIG mode, the type of output selected (synchro or resolver). The switches for selecting the converter mode (TRIG/LINEAR) are located on the base (figure 13-8). The switches for selecting synchro or resolver operation in the TRIG mode are located on the DAC front panel (figure 13-6).

Each DAC channel (A or B) is in turn divided into two subchannels (A1 and A2 or B1 and B2). The data

words accepted by the DAC channel are made up of two 13-bit data words consisting of a polarity bit and a 12-bit code. In the TRIG mode, the 12-bit code represents the sine or cosine outputs. In the LINEAR mode, the 12 bits are converted directly to linear voltages. Channel A1 outputs the sine waveform in the TRIG mode or one of the linear waveforms in LINEAR mode. Channel A2 outputs the cosine waveform in the TRIG mode and the second linear waveform in the LINEAR mode. The polarity bits are used to determine the quadrant in which the angle lies in the TRIG mode and the polarity of the linear output in the LINEAR mode.

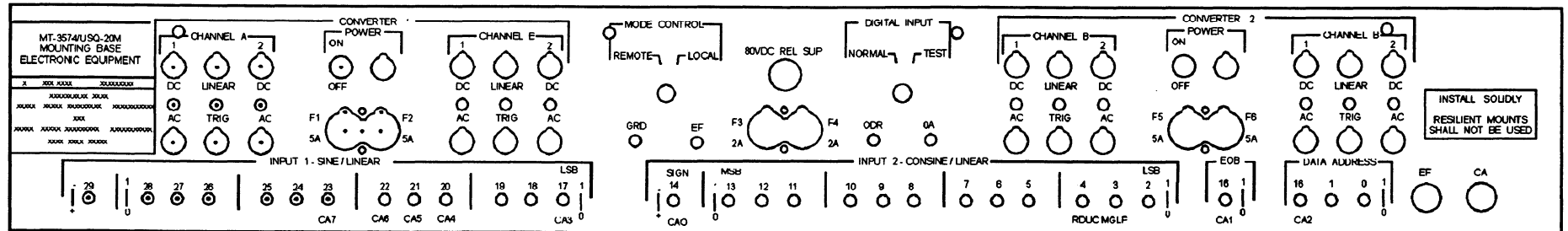
The actual digital-to-analog conversion is performed using two resistive ladder networks (one each for channels A1 and A2). The logic state of the data and polarity bits controls the operation of analog switches, which route currents from a ladder network into a summing network. A reference voltage for the ladder network is supplied from selected reference transformers. The selection of the reference transformers is dependent on the mode of operation and the state of the applicable polarity bit in the data word. When the proper reference voltages are selected, the currents through the ladder network are summed and applied to the output selection circuit as proportional voltages.

The channel A1 and channel A2 proportional voltages represent the sine and cosine voltages for resolver output. For synchro output, the sine and cosine voltages are fed to a Scott-tee transformer by the output selection circuitry. The Scott-tee output consists of the 3-wire, single-speed synchro output.



ETFC0142

Figure 13-7.—DAC block diagram.



ETFC0143

Figure 13-8.—Mounting base.

**POWER SUPPLY SECTION.**— The power supply section provides five regulated dc voltages (-4.8, -15, +15, -26.65, and +26.65 vdc) that support the operation of the digital and analog sections of the DAC. The power supply section receives primary ac power from the mounting base.

### Base Controls and Indicators

The mounting base (figure 13-8) provides controls and indicators for the operation of the mounting base and the two associated converters (CONVERTER 1 and CONVERTER 2).

**MODE CONTROL LOCAL/REMOTE.**— This rotary switch selects either REMOTE control of converter operating modes or LOCAL control via the BASE switches.

**DIGITAL INPUT NORMAL/TEST.**— This rotary switch selects either NORMAL digital inputs from the computer or TEST digital inputs simulated by switches on the BASE.

**OA/EF.**— The OA (output acknowledge) and EF (external function) pushbuttons are used to simulate their respective control signals to the converters in TEST mode.

**CONVERTER 1 POWER ON/OFF.**— This switch applies ac power to converter 1 and the right half of the BASE indicator lights. (Because both converter switches and indicators are identical, we will only cover converter 1.)

**CONVERTER 1 CHANNEL A.**— This group of switches and indicators is used to select and monitor the channel mode (TRIG/LINEAR toggle switch) and the subchannel linear voltage type (CHANNEL A1 AC/DC and CHANNEL A2 AC/DC toggle switches) when the

BASE is in LOCAL or REMOTE. (Because both channel A and channel B switches and indicators are identical, we only cover channel A.)

**THIRTY TOGGLE SWITCHES.**— A row of 30 toggle switches is used to simulate EF and data word binary data bits when in the TEST mode.

### DAC Controls and Indicators

The DAC provides controls for addressing channels A and B, selecting the TRIG mode (synchro or resolver), and test points for verifying individual channel functions.

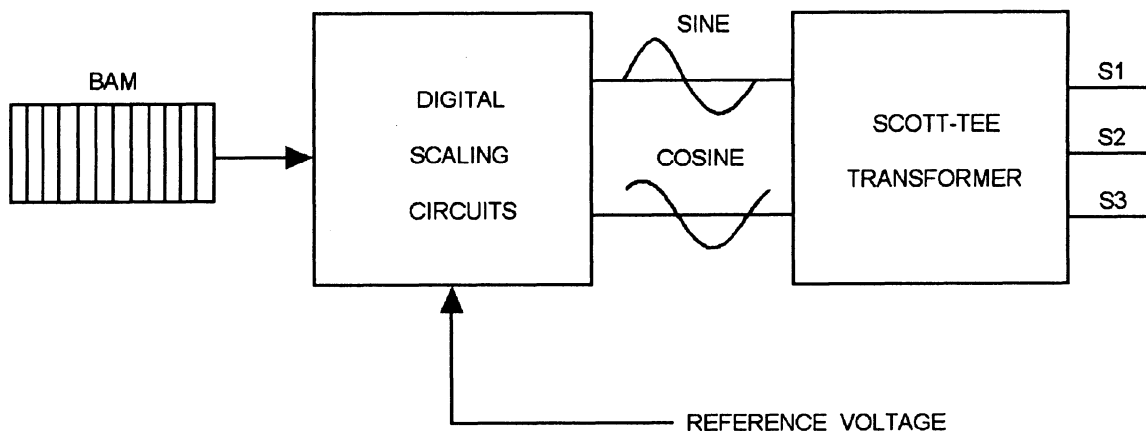
**CHANNEL A MODE SYN/RSVR.**— When the TRIG mode is selected at the BASE, this switch selects synchro or resolver output.

**CHANNEL A DATA ADDRESS.**— This 7-position switch is used to select the address for channel A. (Because both channel A and channel B controls are identical, we only cover channel A.)

### Digital-to-Synchro (D/S) Conversion

A digital-to-synchro (D/S) converter converts BAM data words to single-speed synchro output signals. The D/S converter requires a reference voltage input (115 volt, 60/400 Hz). The D/S conversion is effectively a reverse of the S/D conversion process.

The BAM word is used to generate two analog voltages representing the sine and cosine of the synchro rotor angle to be transmitted (figure 13-9). These two voltages are developed by modulating the stepped down reference voltage in phase and amplitude. The phase relationship and amplitude of the sine and cosine signals are based on the data contained in the BAM word. The sine and cosine signals are then stepped up and fed to a



ETFC0144

Figure 13-9.—Digital-to-synchro (D/S) conversion.

scott-tee transformer to develop the 3-phase stator voltage outputs (S1, S2, and S3) of the single-speed synchro transmission.

D/S converters are designed with holding circuits that retain the contents of the BAM words between computer updates of BAM data. The synchro output of the D/S converter is continuous in nature, indicating a new rotor angle only when a BAM word received from the controlling computer contains anew angular value.

## **DIGITAL-TO-DIGITAL (D/D) CONVERSION**

This section covers those forms of digital data handled by various shipboard data conversion devices. These devices are used to convert digital data from shipboard weapon, radar, and other subsystems to the voltage levels and formats acceptable to the CDS computers.

The types of data converted include control and status signals, ready digital (RD) data, demand digital (DD) data, demand digital interrupt (DDI) data, and digital input channel/digital output channel (DIC/DOC) data.

### **Control and Status Signals**

Control and status signals are discrete ac or dc signals that indicate or control a single function (on/off, true/false, and so forth) or condition in a subsystem. Signals transmitted by CDS equipment to another subsystem are referred to as **control signals** because they generally initiate an action in the receiving system. Discrete signals received by CDS equipment are referred to as **status signals** because they generally indicate the status of a condition or function in another subsystem.

**CONTROL SIGNALS.**— Control signals are generated from individual bit positions in a control word. Each bit position of the control word represents one control signal. The individual bits from the control word are fed to relay circuits. A binary ONE will cause a relay closure to take place and an ac or dc signal to be generated from the appropriate supply voltage. A binary ZERO will cause the relay to de-energize, open its contacts, and prevent the voltage transmission.

**STATUS SIGNALS.**— Status signals are ac or dc voltages received from external subsystems. Each status signal is assigned to an individual bit position in a status word. The status bit becomes a binary ONE when a status voltage is sensed. Lack of a status voltage

signal causes the status bit to remain a binary ZERO. Status words are sampled periodically by the controlling computer to determine the current condition of the individual status signal bits.

### **Ready Digital (RD) Data**

Ready digital (RD) data is 12-bit parallel digital data generated by the CDS radar azimuth converters (RACs). The data indicates the antenna or sweep position of each individual ship's radar. This data is transmitted to the CDS computer as requested by the computer for program processing and tracking of radar contacts.

### **Demand Digital (DD) Data**

Demand digital (DD) data is parallel digital data input from manual entry devices. Two input channels are normally used. Each channel may be used by up to eight daisy-chained devices. Each device is identified by an address in the input word. DD data is sampled periodically by the computer to test for operator entries.

### **Demand Digital Interrupt (DDI) Data**

Demand digital interrupt (DDI) data is parallel digital data similar to DD data. The major difference is in the method of data entry. DDI devices cause an interrupt to be generated to the controlling computer when an entry is made from the applicable device.

### **Digital Input Channel/Digital Output Channel (DIC/DOC) Data**

Digital input channel/digital output channel (DIC/DOC) channels are multiplexed parallel digital computer channels used to increase the input/output capabilities of the controlling computer. Up to four DICs and four DOCs are provided. The channels may be used for input only, output only, or input/output (I/O) with external peripheral devices or computers depending on the mode or format selected.

## **TOPIC 2—SHIPBOARD DIGITAL/ANALOG SYSTEM INTERFACES**

In this topic, you will learn about specific equipments and groupings of equipments involved in the data inversion and interfacing process aboard ship. These equipments permit nominally independent

shipboard systems or subsystems to communicate or interface with the combat direction system (CDS).

### MULTIPLEXING DATA CONVERTERS

Each shipboard tactical data system has at least one multiplexing data converter. Multiplexing data converters are, in effect, computer-controlled multipurpose devices that operate between one or more digital computers and a number of control, status, digital, and analog devices located in remote subsystems. The individual devices may vary from each other in design due to technological advances and equipment improvements. As a group they perform multiple functions by allowing analog or digital conversion and communications with a variety of

equipments or subsystems using multiple data forms (analog, discrete digital, or parallel digital) at the same time or within a very narrow time period (time division multiplexing).

Several different versions/generations of multiplexing data converters are currently in use. These include the Keyset Central Multiplexer (KCMXs) CV-2036/USQ-20 and CV-3263/USQ-20 and the Signal Data Converters (SDC) OU-95/UY, CV-2953A, and the Mark 72 Mod 11/12. Individual capabilities vary from device to device. Table 13-3 lists the various converters and compares the range of their capabilities. The particular converter used with the tactical data system depends primarily on ship class. KCMXs are found on the CG or DDG classes and the CV/CVN aircraft carriers. ICKCMXs are found on the DDG TDS

Table 13-3.—Comparison of Multiplexing Data Converters

FUNCTION	CV-2036 (KCMX)	CV-3263 (KCMX)	OU-95 (ICKCMX)	CV-2953A (SDC)	MK 72 MOD 11/12 (SDC)
CONTROL SIGNALS	56	12	31	15	150
STATUS SIGNALS	60	60	32 (8 STATUS INTERRUPT SIGNALS)	15	90
READY DIGITAL DATA	8 INPUTS	4 INPUTS			
READY ANALOG DATA	32 INPUTS	32 INPUTS	8 INPUTS	9 INPUTS	19 INPUTS
DEMAND DIGITAL DATA	16 DEVICES	8 DEVICES	1 DEVICE	16 DEVICES	24 DEVICES
DEMAND DIGITAL INTERRUPT DATA	8 DEVICES			8 DEVICES	24 DEVICES
DIGITAL INPUT CHANNELS	4 CHANNELS	2 CHANNELS			
DIGITAL OUTPUT CHANNELS	4 CHANNELS	4 CHANNELS			3 CHANNELS
DIGITAL-TO-ANALOG DATA (SYNCHRO)			4 OUTPUTS	12 OUTPUTS	8 OUTPUTS
READY DIGITAL OUTPUT CHANNEL				1 CHANNEL (10 BITS)	
LINEAR-TO-DIGITAL DATA					26 INPUTS (ac or dc)
DIGITAL-TO-LINEAR DATA					69 OUTPUTS (ac or dc)

systems, while the CV-2953A is found on the DD-963 class of ships. Mark 72 SDCs are found on the CGN-38 class of cruisers.

The KCMX handles the widest range of functions of any of the converters. For that reason we selected it as our representative training device.

### KEYSET CENTRAL MULTIPLEXER (KCMX)

The keyset central multiplexer (KCMX) (figure 13-10) provides the means of exchanging data, control, and status information between either one of two

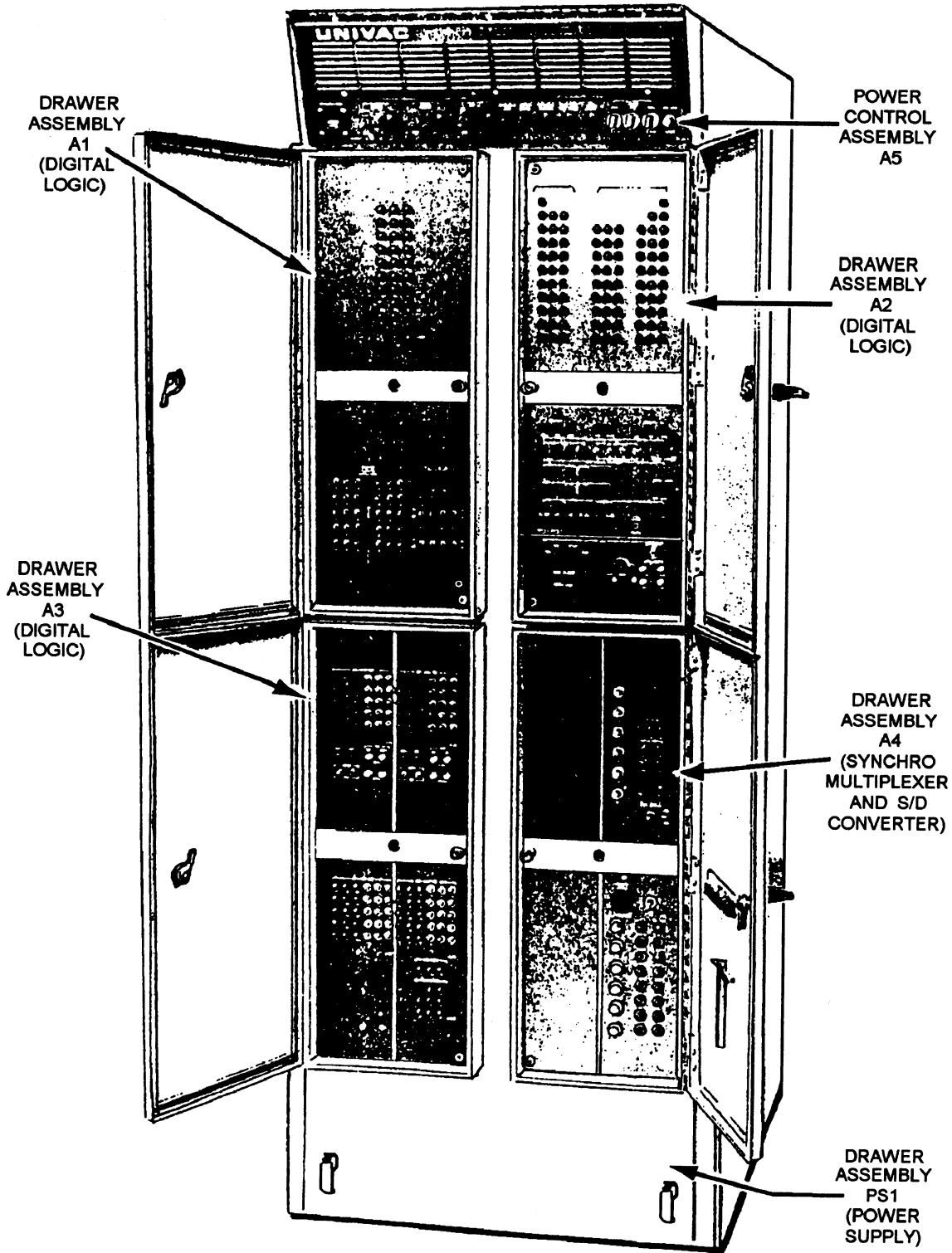


Figure 13-10.—KCMX (front view).

38NV0144

computers and a variety of input/output devices including multiple control, status, and synchro signal interfaces. The KCMX allows the controlling computer to receive data and status information from external subsystems (missile, gun, electronic warfare [EW], antisubmarine warfare [ASW], and so forth) and to transmit data and control information to external subsystems. A simplified block diagram of the KCMX is shown in figure 13-11.

### Duplexer and Input/Output (I/O) Logic

The duplexer (figure 13-11) allows the KCMX to be controlled by two computers on a one at a time basis. The duplexer is controlled by external function commands from the computers. Three external function commands are used to control the duplexer logic: request control, release local, and release remote.

**REQUEST CONTROL.**— The request control (RC) command permits the requesting computer to gain control of the KCMX if the other computer is not in control.

**RELEASE LOCAL.**— The release local command relinquishes control of the KCMX.

**RELEASE REMOTE.**— The release remote command is a high-priority code that allows one computer to take control of the KCMX from the other computer.

**I/O LOGIC.**— The KCMX communicates with the digital computers over standard CDS slow I/O channels.

### Digital Control Logic

The digital control logic (figure 13-11) puts the KCMX in one of its seven operating modes as specified by the controlling computer. The KCMX operating modes are neutral, duplex, transmit data from unit computer (TDUC), receive data from unit computer (RDUC), TDUC and RDUC, interrupt, and keyset error.

**NEUTRAL MODE.**— Neutral mode is the at-rest mode when neither of the controlling computers is requesting control of, or is in control of, the KCMX.

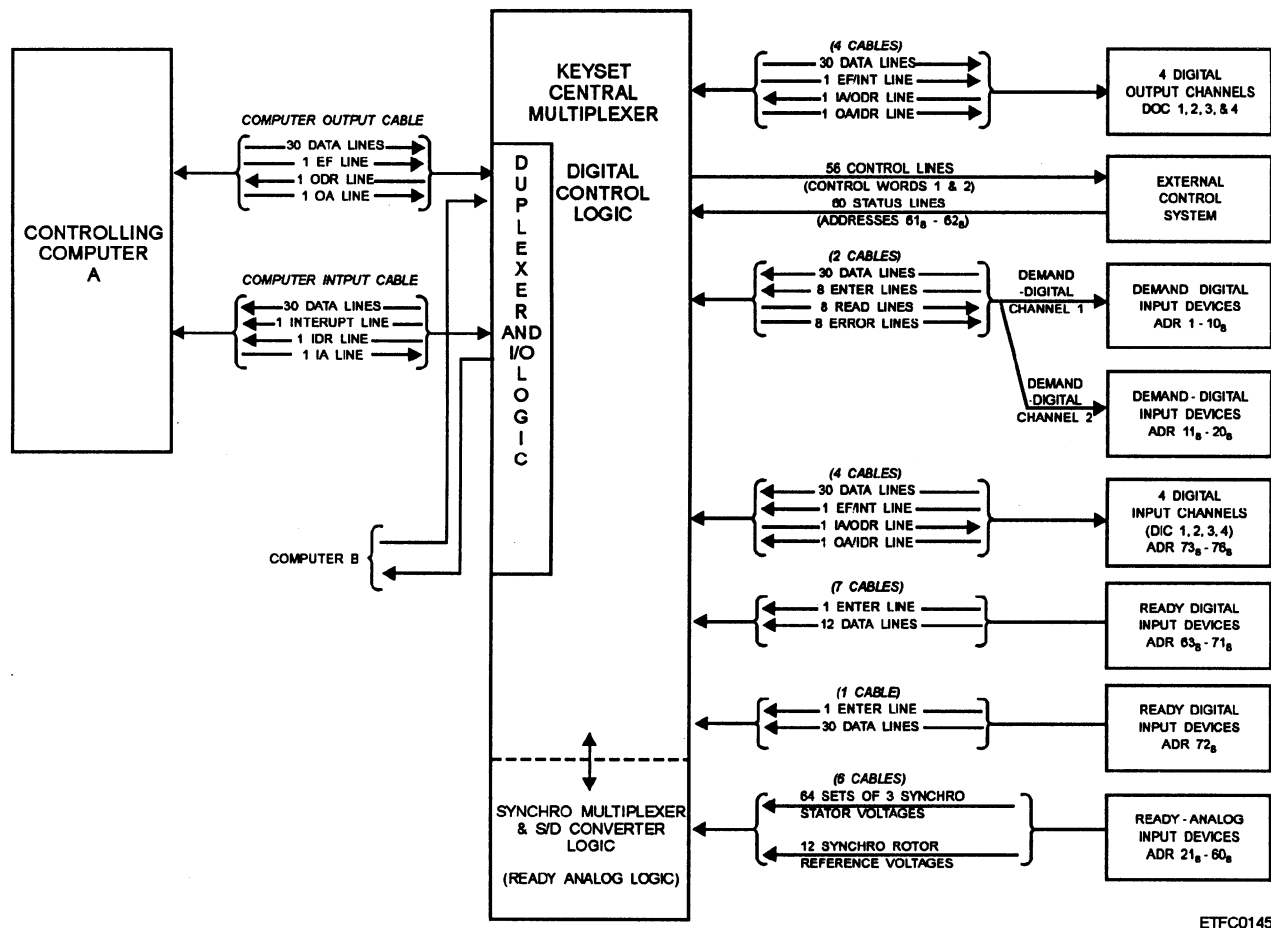


Figure 13-11.—KCMX block diagram.



**DUPLEX MODE.**— The duplex mode is the primary control mode for the KCMX. Either of two computers may have control of the KCMX at one time. Each computer must request control by means of an external function. Once the desired mode selections and data exchanges have taken place, the controlling computer must place the KCMX in a neutral state through the use of a release local external function.

**RECEIVE DATA FROM UNIT COMPUTER (RDUC) MODE.**— To output data to the KCMX, the controlling computer must place the KCMX in the RDUC mode by external function. In the RDUC mode, the KCMX is capable of receiving data consisting of DOC output words or control words. DOC data and control signals are the only KCMX functions used to transmit information to external subsystems or equipment.

**TRANSMIT DATA TO UNIT COMPUTER (TDUC) MODE.**— The TDUC mode is used to input addressed data to the controlling computer. The computer places the KCMX in TDUC mode. The external function command specifies the address or addresses of the data to be transmitted to the computer.

**TDUC AND RDUC MODE.**— The KCMX can be placed in the TDUC and the RDUC modes at the same time. Both modes will operate simultaneously under the control of one computer.

**INTERRUPT MODE.**— The KCMX operates in the interrupt mode when indicating an abnormal condition (Type I interrupt) or upon receipt of high-priority data from DDI addresses or DIC external functions or interrupts (Type II interrupt).

**KEYSET ERROR MODE.**— The computer places the KCMX in the keyset error mode to send an error signal to the addressed keyset.

### **Demand Digital (DD) Inputs**

The 16 demand digital (DD) inputs (figure 13-11) use 30-bit words. Eight DD devices are daisy chained on each of two cables. Each DD device (keyset) is controlled by three control signals: enter, read, and error. A total of 24 control signals is required for the eight DD devices on an input cable.

The eight DD devices on the first cable are called group 1 and are assigned KCMX addresses 1 through 10 (all KCMX addresses are octal). Group 2 consists of the other eight devices on the second cable and are referenced by KCMX addresses 11 through 20. Group 1 DD devices may function in either a data (DD) mode

or an interrupt (DDI) mode. Group 2 devices function only in the data mode.

**ERROR SIGNAL.**— The error signal is activated by the KCMX under computer control and is a program-controlled function. It is normally generated in response to a format error in the operator entered data. The signal lights the error indicator on the DD device.

**ENTER SIGNAL.**— The enter signal is generated by the DD device when it has a data entry input ready for transmission to the controlling computer. The KCMX, when requested by the controlling computer, samples (reads) the data on the data lines from the DD device.

**READ SIGNAL.**— The read signal is used to activate the DD device data lines. The KCMX activates the read signal for the addressed DD device and waits 200 msec before sampling the data. When the DD device receives the read signal, the data lines back to the KCMX are activated. The KCMX waits the 200  $\mu$ sec, samples the data, and inputs the data to the controlling computer.

**DEMAND DIGITAL INTERRUPT (DDI) INPUT.**— A demand digital interrupt (DDI) is nothing more than a demand digital device assigned to group 1 when that group is in the interrupt mode. Group 1 is placed in the interrupt mode by a computer external function command. The enter signal is processed differently in the interrupt mode. The KCMX automatically tests and honors the DDI enter signals through an interrupt priority sequence. The KCMX reads the entered data and inputs it to the controlling computer as an interrupt code rather than as a data input word. There is no delay in waiting for the computer to request a data input (DD mode).

**READY DIGITAL (RD) INPUTS.**— There are up to eight inputs for ready digital data (figure 13-11); KCMX addresses 63 through 71 are used for 12-bit data while address 72 is used for 30-bit words. This data is obtained from synchomechanical devices such as the radar azimuth converters (RACs). The data normally represents a digitized analog antenna position.

The eight ready digital (RD) inputs occupy separate cables and use only one control signal (enter signal) each. These eight separate signals inform the KCMX that the data on the line is valid and can be sampled. The data is sampled by the KCMX when the corresponding address is designated by the controlling computer to be interrogated and have the data entered (TDUC). If the KCMX attempts to sample the data lines and the enter signal is temporarily false, the

KCMX will delay the sampling for 300  $\mu$ sec. If the enter signal is still false at the completion of this time period, the KCMX will return a data word of all ONES to the computer for that address. If at any time during this delay the enter signal becomes true, the KCMX will sample the data and gate the data into the computer input register and transfer it to the computer with an input data request (IDR). The 12 data bits from addresses 63-71 will occupy the lower 12 bits of the computer input word. Address 72 data bits occupy the entire 30-bit word.

### **Digital Input Channels and Digital Output Channels**

The KCMX is capable of receiving and transmitting data over four 30-bit CDS I/O channels (DIC1 through DIC4 and DOC1 through DOC4). The input channels are assigned KCMX addresses 73 (DIC1) through 76 (DIC4). The DIC/DOCs (figure 13-11) maybe used for input only devices, output only devices, or a DIC/DOC pair (DIC1/DOC1, DIC2/DOC2, and so forth), which can communicate with an I/O device.

The KCMX DIC/DOCs allow the computer controlling the KCMX to communicate with four or more digital devices. The KCMX may function as a computer or as a peripheral device when communicating with the external digital devices. Devices linked by the DIC/DOCs will conform to standard CDS format 30-bit parallel transfers using either computer or peripheral control logic signals.

The DIC/DOCs themselves can be manually set to one of two data transfer formats designated peripheral (PERIPH) or computer (COMPUTE). (Both types of transfers involve 30-bit parallel data. Computers generate function codes, while peripherals generate interrupts; peripherals generate requests such as output data requests (ODRs), while computers generate acknowledgments such as output data acknowledges (ODAs), and so on.) In the peripheral format, the KCMX appears as a piece of peripheral equipment to an external computer. In the computer format, the KCMX appears to be a computer to the external peripheral device.

The DIC/DOC interfaces have limitations. External functions can only be transmitted from the controlling computer over the DOCs. Interrupts can only be received by the controlling computer from an external device over the DICs. Devices connected using output only or input only configurations may require a DIC/DOC pair to be connected to allow both

computer control by external function and device interrupt capabilities. In other words, a single DIC or DOC hookup loses the external function control capability (DIC only) or the external interrupt capability (DOC only).

### **DIGITAL OUTPUT CHANNELS (DOCs).—**

The cabling for each of the four DOCs is the same as that of a computer or peripheral output channel. A manual switch for each DOC selects either peripheral or computer interfacing for the device connected on that channel.

**DOC Computer Operation.**— The KCMX acts as an interface between the external device (peripheral) and the controlling computer. The KCMX accepts data one word at a time in a buffer from the controlling computer. Up to the first seven words of the buffered data may be external function commands for the external equipment. External function commands sent by the controlling computer to the KCMX set up the buffer size (number of data words) and the number of external function command words in the buffered data. The KCMX generates the external function signals for the external function commands setting up the external equipment and then transmits the remainder of the buffered words as normal computer output data. A maximum of 255 computer words (external functions and data) may be sent by the controlling computer in a single buffer.

**DOC Peripheral Operation.**— In the DOC peripheral operation format, the KCMX acts as an interface between the external device (computer) and the controlling computer. The data buffer from the controlling computer is inputted to the external computer as interrupts or data words. The controlling computer's external function commands define the number of interrupt words (maximum seven) that precede the data words in its output buffer.

**DIGITAL INPUT CHANNELS.**— The four digital input channels (DICs) are interrogated by the controlling computer on a regular basis. Each DIC is assigned an address (DIC1 address 73 through DIC4 address 76). If the data word being received by the KCMX is not an external interrupt or external function, the KCMX will wait until the DIC address is interrogated before sending the data word to the controlling computer and indicating acceptance of the word to the external device.

**DIC Computer Operation.**— In the DIC computer operation format, the KCMX acts as a computer to an external peripheral device. When the computer receives an input data request (IDR) from the device, the KCMX will store both the request and the input data word. Upon interrogation from the controlling computer, the KCMX will transfer the DIC data to the computer and send an input data acknowledge (IDA) to the external device.

**DIC Peripheral Operation.**— In the DIC peripheral operation format, the KCMX acts as a peripheral to an external computer. The KCMX generates an ODR to the external computer. The computer responds with data and an output data acknowledge (ODA). The KCMX holds the data until interrogation and transfer with the controlling computer. The KCMX then generates another ODR to the external computer.

**DIC Interrupts.**— The KCMX may generate interrupts to the controlling computer for DIC addresses upon receipt of external function commands from the external computer in peripheral format or external interrupts from the external peripheral device when in the computer format.

### Status Signals

Sixty status signals may be received by the KCMX (figure 13-11) via status inputs connected to KCMX addresses 61 and 62. Each KCMX status address provides a 30-bit status word when interrogated by the controlling computer. The condition of each status bit in the two status words is dependent on the condition of its associated status relay coil. The status relays complete the circuit between the KCMX and the external devices generating the status signals. Supply voltages used to generate status signals include but are not limited to 26 vdc, 50 vdc, and 115 vac 60/400 Hz.

All 60 status lines and associated supply voltages are connected to the KCMX via 5 status plugboards. Each status signal relay is wired to a status signal return line on a plugboard. A plugboard is an electrical connector wired with short jumper wires to provide flexibility in the connection configuration. The plugboards are wired when the system is installed, depending on the system-configuration.

### Control Signals

The control signals (figure 13-11) are generated by the KCMX in response to control word outputs from the controlling computer. Individual bits set in the two

control words energize relays to send control voltages to external equipment. Once again plugboards are used to increase system flexibility.

### Ready Analog (RA) Inputs

Processing of synchro inputs (ready analog data) is performed by the synchro multiplexer and synchro converter logic (figure 13-1 1). The KCMX can accept inputs from 32 three-wire synchros. Six cables are used to connect the synchro inputs and reference voltages to the KCMX. Five cables carry 6 synchro inputs and the sixth carries 2 inputs and up to a maximum of 12 reference voltage inputs. The first 24 synchro channels require 400-Hz reference voltages, while the last 8 may use either 60-Hz or 400-Hz.

The KCMX accepts either single- or dual-speed synchro system inputs. The synchro multiplexer provides the method for selecting a unique synchro address from the 32 possible synchro inputs. The KCMX, in response to a TDUC external function from the controlling computer, will convert the addressed synchro input into digital form and transmit the digitized angle (B AM) to the controlling computer. The digital logic in the KCMX allows a fixed time delay for a full conversion to take place. The conversion delay is 2 msec if a 400-Hz reference is used, or 10 msec if a 60-Hz reference is used. A **time out** of the conversion delay would cause a data word of all ONES to be returned to the controlling computer.

A single synchro-to-digital (S/D) converter processes the multiplexed synchro input. The S/D converter uses the sector method to derive the precise angle of the rotor in BAMs. The converter will perform two separate conversions, the first for the fine speed and the second for the coarse speed. The converter places the combined results as a single BAM word in its output register where the data is held until accepted by the TDUC circuits and inputted to the controlling computer. For single-speed synchros, both fine and coarse conversions are performed, but the results of the fine conversion are ignored. The bits in the BAM word that apply to the fine conversion are left blank (ZERO).

### Digital-to-Synchro (D/S) Conversion

The KCMX does not have a built in D/S conversion capability. To provide this capability, one or more of the DOCs must be connected to DACs.

## Controls and Indicators (KCMX)

The front panels of the KCMX (figs. 13-12 and 13-13) contain all the controls and indicators used by operating personnel. The chassis behind the front panels (A1, A2, A3, and A4) and the power supply chassis in the bottom unit (PS1) can be unlatched and run out like drawers for access to the logic board racks inside. Signals can be observed at the appropriate test points, which are given in the equipment prints. Power supply fuses appear on panel AS (power control assembly); test points for the power supply can be found by extending chassis PS1 outward.

## Power Control Assembly (A5)

The power control assembly at the top of the unit (figure 13-10) contains the BLOWER ON/OFF switch and indicator, main POWER ON/OFF switch and indicator, running time meter, 3-phase BLOWER POWER fuses, and a 1-amp fuse for the -26.5 vdc power supply. An amber TEST MODE indicator will light whenever the MODE SELECTOR switch (panel A2) is in any position except NORM.

The A5 assembly also contains over-temperature warning indicators and bypass circuitry. The red

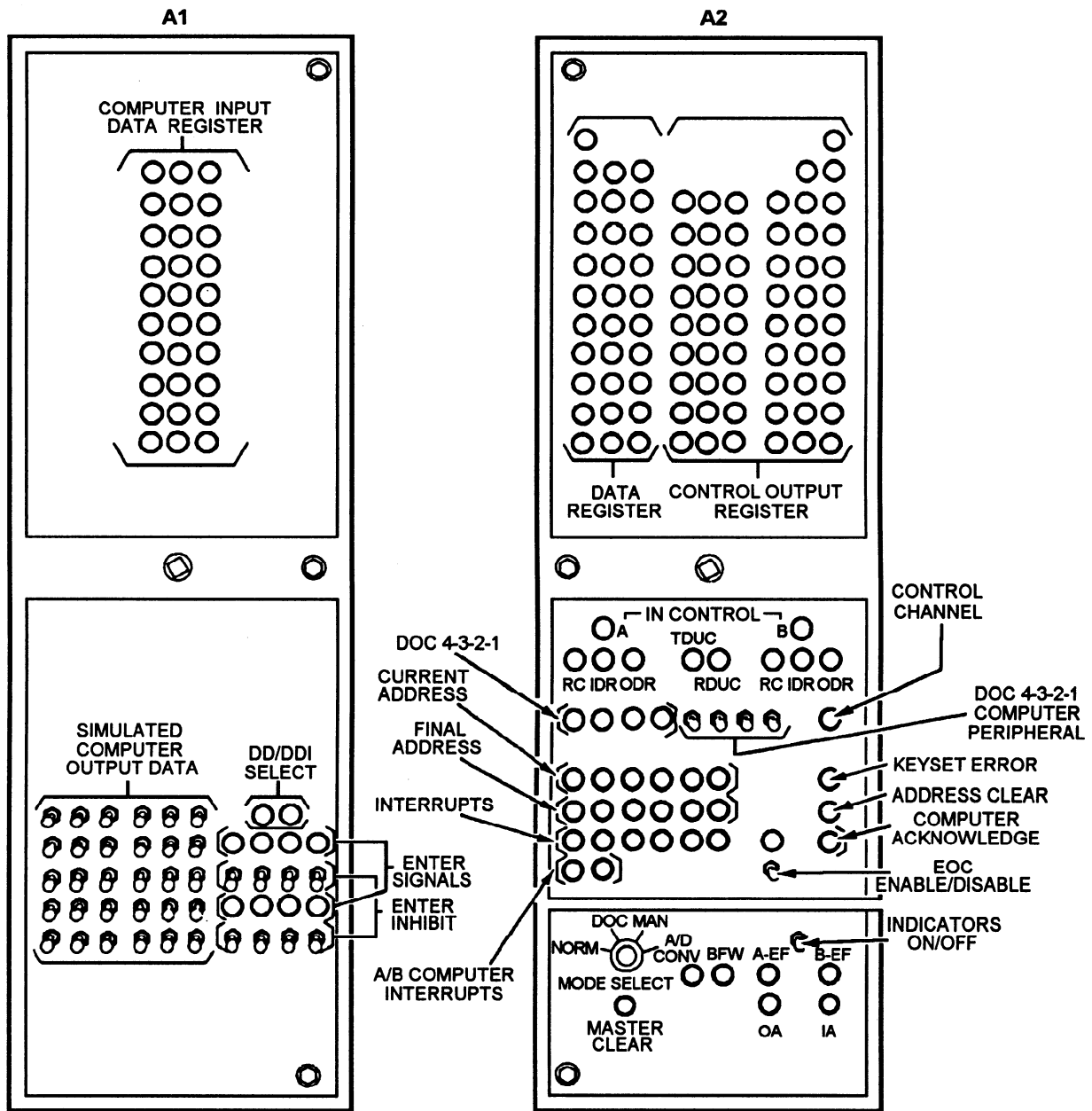
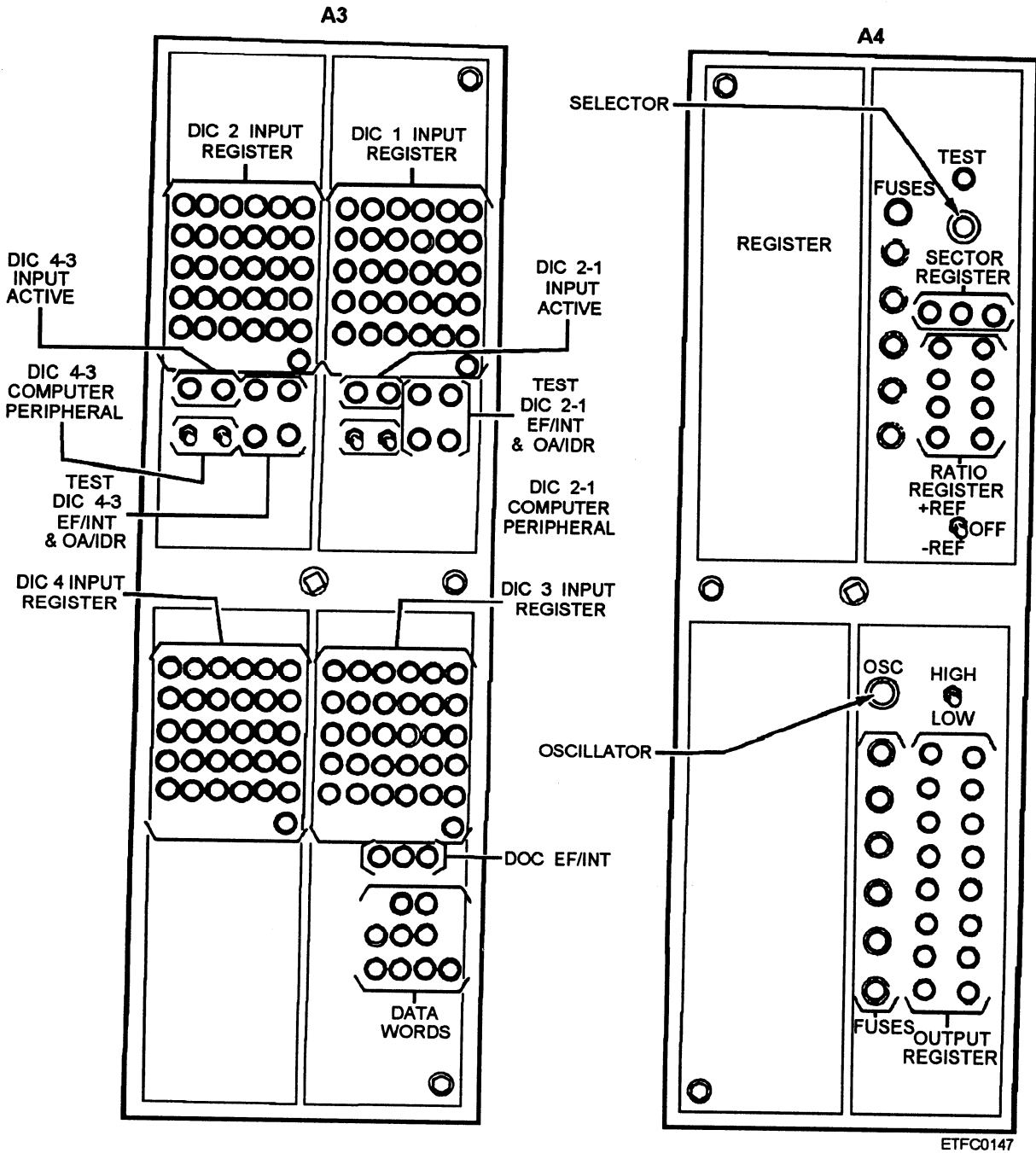


Figure 13-12.—KCMX front panels (A1/A2).

ETFC0146



ETFC0147

Figure 13-13.—KCMX front panels (A3/A4).

OVER-TEMP WARNING light will come on and the horn will sound when the cabinet's internal air temperature exceeds 115° F (46° C). The ALARM BYPASS will inhibit the horn if desired. The red OVER-TEMP SHUTDOWN indicator will light, and power will be removed from everything except the blowers if the cabinet's internal temperature exceeds 140° F (60° C). The red OVER-TEMP BYPASS switch/indicator can be used to bypass the over-temperature circuits under EMERGENCY conditions. The OVER-TEMP RESET pushbutton can be used to reset the horn and warning indicators.

### Computer Input Data Register Panel (A1)

The upper half of the A1 panel (figure 13-12) contains the 30-bit COMPUTER INPUT DATA REGISTER. The 30 pushbutton/indicators show the contents of the computer input data register when the KCMX MODE SELECT switch (bottom of A2 panel) is in the NORM position. The pushbuttons can be used to simulate data from the KCMX to the computer when the MODE SELECT switch is not in the NORM position.

The lower half of the A1 panel (figure 13-12) contains the SIMULATED COMPUTER OUTPUT DATA switches and the DD/DDI SELECT switches and indicators.

**SIMULATED COMPUTER DATA OUTPUT SWITCHES.**— These switches are used to simulate 30-bit computer external function and computer output data words from the controlling computer to the KCMX.

**DD/DDI SELECT SWITCHES/INDICATORS.**— These switches and indicators are used to select DD or DDI mode for the group 1 DD devices. The top two indicator/pushbuttons identify the group mode (left DD/right DDI). The pushbuttons may be used to manually switch between DD and DDI modes. The eight individual device indicators show if there is an enter signal on the line from one of the group 1 devices (addresses 1 through 10). The eight ON/OFF switches are used to control the individual device DDI enter signals. The ON position enables the device DDI enter signal, the OFF position disables it. Individual devices will not enter DDI data with these switches OFF, even if group 1 is in the DDI mode.

### Digital Control Logic Panel (A2)

The upper half of the A2 panel (figure 13-12) contains the DATA REGISTER and the CONTROL OUTPUT REGISTER. The data register pushbutton/indicators are lighted to indicate the presence of data for DOC equipments. The pushbuttons may be used to enter data bits into the register for offline operations. The control output register indicates the status of the external control signals. A lighted indicator means a control signal is being generated. The pushbuttons may be used to set individual control signals during offline operations.

The lower half of the A2 panel contains the following controls and indicators: DUPLEX controls, KCMX mode controls/indicators, DOC interface controls/indicators, and KCMX interrupt controls/indicators.

**DUPLEX CONTROLS.**— The duplex controls (figure 13-12) are identical for both A and B computers; therefore, only the A controls/indicators are discussed.

The DUPLEX A CONTROL pushbutton/indicator, when lighted, indicates that the A computer is in control. In other than normal operation, the pushbutton may be depressed to simulate that computer A is in control. The DUPLEX A RC, DUPLEX A IDR, and

DUPLEX A ODR pushbutton/indicators are lighted to indicate that the KCMX has received the request control (RC), input data request (IDR), or output data request (ODR) signals. These pushbutton/indicators may be used to monitor or, in test mode, to simulate the indicated signals.

**KCMX MODE CONTROLS/INDICATORS.**— The TDUC and RDUC pushbutton/indicators (figure 13-12) are lighted when the KCMX is in the associated mode. The pushbuttons may be used to simulate reception of the computer external function codes for that mode.

The MODE SELECT rotary switch (bottom of A2 panel) selects one of four operating/test modes. The NORM position permits normal KCMX operation. The DOC position enables testing of the digital output channels. The MANUAL position enables the KCMX to simulate computer operations by the use of the front panel controls. The synchro-to-digital converter may be tested in the A/D CONV position.

The MASTER CLEAR pushbutton resets all logic circuits. The INDICATORS ON/OFF toggle switch disables all indicators on the A1, A2, A3, and A4 panels. The CMPTR A EF, B EF, OA, and IA pushbuttons are used to simulate external functions, output acknowledges, and input acknowledges from the computer. The DATA pushbutton/indicator is lighted when the KCMX is in the RDUC mode and is prepared to transfer a data or control word. The pushbutton is used to enable the data transfer sequence when a simulated computer OA signal is present. The BFW indicator is lighted when the KCMX is in the RDUC mode and processing a computer buffer function word (BFW). The pushbutton is used to simulate reception of the RDUC BFW code from the computer.

The CONTROL CHANNEL pushbutton/indicator is lighted when a control word transfer takes place. The pushbutton may be used to simulate a control word transfer.

The six pushbutton/indicators labeled CURRENT ADDRESS (figure 13-12) display the octal KCMX address being interrogated by the TDUC mode. The pushbuttons may also be used to allow manual selection of a single address, or starting address of a set of addresses to be interrogated in a test mode. The FINAL ADDRESS pushbutton/indicators are used to select (test mode) or display (TDUC mode) the last KCMX address of a set of addresses being interrogated. The ADDRESS CLEAR pushbutton clears both the current and final address bit indicators.

The **KEYSET ERROR** pushbutton/indicator is lighted to indicate that the KCMX is in the keyset error mode. It maybe manually set to indicate reception of the computer external function keyset error bit.

**DOC INTERFACE CONTROLS/INDICATORS.**— In the RDUC mode, the pushbutton/indicators labeled DOC 1, 2, 3, or 4 are lighted when the buffer function word specifies a DOC transfer (DOC1-DOC4). The pushbuttons may be used to simulate a buffer function word DOC input data (ID) code. Four toggle switches (DOC 4, 3, 2, 1 COMPUTER/PERIPHERAL) are used to manually select the DOC operational mode.

**KCMX INTERRUPT CONTROLS/INDICATORS.**— In the interrupt indicators (A/B COMPUTER INTERRUPTS), CMPTR A INT and CMPTR B INT pushbutton/indicators are lighted when an interrupt signal is on the computer (A or B) input line. The buttons may be used to simulate an interrupt condition.

The six interrupt pushbutton/indicators (INTERRUPTS) are left to right; ILL ADR, EIC, EEC, DIC REQ, DD, and ID ERR. The pushbuttons for the interrupt indicators may be used to simulate the associated interrupt condition.

When an illegal address (octal 00 or 77) is detected in either the current or final address registers, the ILL ADR indicator is lighted. The EIC pushbutton/indicator is lighted to indicate an end-of-input cycle. The EEC indicator is lighted to indicate when the KCMX has completed a keyset error transmission. The DIC REQ indicator is lighted when the digital input channel request interrupt is active. The DD indicator is lighted when an enter signal is received from a group 1 keyset and the group is in the interrupt mode. When the KCMX detects an error in the buffer function word ID codes, the ID ERR indicator is lighted.

The EOC ENABLE/DISABLE toggle switch is used to enable or disable the sending of an end-of-output cycle (EOC) interrupt to the computer. The indicator above the toggle switch indicates the detection of an end-of-output cycle condition.

The COMPUTER ACKNOWLEDGE (CA) pushbutton/indicator is lighted when a computer (A or B) has been granted control of the KCMX and the KCMX sends a control acknowledge interrupt to the computer. The pushbutton may be used to simulate the CA interrupt.

#### **Digital Input Channel (DIC) Logic Panel (A3)**

The A3 panel (figure 13-13) contains the registers, controls, and indicators for monitoring and testing DIC

operations. There are four 30-bit registers labeled DIC 1 INPUT REGISTER through DIC 4 INPUT REGISTER. These registers are used to indicate the status of the bit positions for each channel. In KCMX operations other than the normal mode, each bit position may be set manually using the pushbutton/indicator.

Each channel has its own toggle switch for computer or peripheral mode selection, two TEST pushbutton/indicators, and an INPUT ACTIVE pushbutton/indicator. The input active indicators are lighted when an interrogation for the associated channel is being performed.

The two TEST pushbutton/indicators for each channel indicate the status of external functions or interrupts (EF/INT) and output acknowledges or input data requests (OA/IDR). The DIC mode selected determines which of the signals is being displayed. The DIC computer uses EF and OA, while the DIC peripheral uses INT and IDR.

The lower portion of the A3 panel contains some pushbutton/indicators used with DOC operations. DOC EF/INT is a three-stage counter used to determine the number of DOC EF or INT words in an output buffer (maximum of 7). The DATA WORDS counter keeps track of the number of data words in an output buffer (maximum of 191).

#### **S/D Converter/Multiplexer Panel (A4)**

The controls and indicators for the synchro-to-digital converter and multiplexer are contained on the A4 panel (figure 13-13). There are 12 indicating fuses (F1-F12) for the 12 reference input transformers. An indicator lights on the fuseholder when the reference voltage is present and the associated fuse is open.

The TEST indicator lights when the seven-position SELECTOR switch is in any position other than normal (NORM). The SELECTOR switch, in any position but normal generates a simulated single-speed synchro angle. The following is a summary of the switch positions and angles:

POSITION	ANGLE
1	0
2	60
3	120
4	180
5	240
6	300

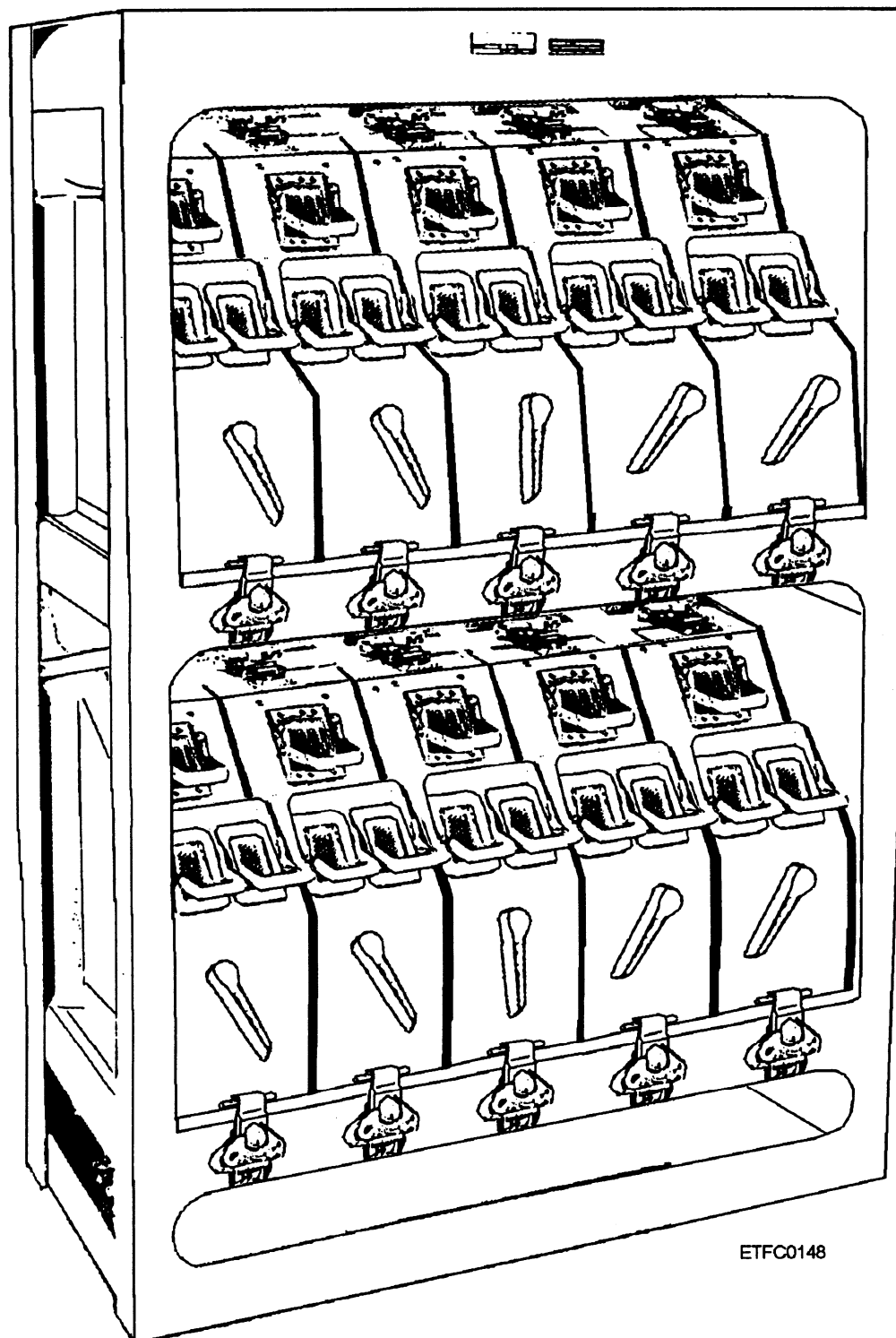


Figure 13-14.—Manual switchboard.



## TOPIC 3—SWITCHBOARDS

The SECTOR REGISTER consists of three pushbutton/indicators. The register displays the sector number of the 60-degree sector in which the rotor is located. The pushbuttons may be used to simulate a sector angle. The eight pushbutton/indicators of the RATIO REGISTER indicate or simulate the binary ratio angle.

The +REF/OFF/-REF toggle switch allows selection of positive (+REF) or negative (-REF) reference voltage. The switch is set to the OFF position for normal operations. The OSCILLATOR potentiometer is used to vary the frequency of the S/D converter test circuits from 2 to 100 Hz. With the HIGH/LOW toggle switch in the HIGH position, the S/D converter is enabled for continuous recycling when in the test mode. When the switch is in the LOW position, the recycling rate can be varied from 2 to 100 conversions a second using the OSCILLATOR potentiometer.

The OUTPUT REGISTER has 15 pushbutton/indicators and a clear pushbutton. The register indicates the 15-bit BAM output of the S/D converter. Each bit-position indicator equates to a degree value portion of the summed synchro-mechanical angle.

Shipboard tactical data system devices are interconnected with each other and with equipments in other shipboard subsystems through switchboards. Combat systems use two major types of switchboards: digital switchboards and analog switchboards.

Digital switchboards primarily interconnect digital devices. These types of interfaces include computer-to-computer interfaces and computer-to-peripheral devices and other serial or parallel digital interfaces.

Analog switchboards provide the interconnection for analog devices and signals including control and status signals, synchro signals, and linear signals. In addition, analog switchboards provide supply and return voltages and reference voltages for analog signal exchanges. Most current shipboard combat direction systems use a combination of analog and digital switchboards to completely interface CDS equipments with each other and with other shipboard subsystems.

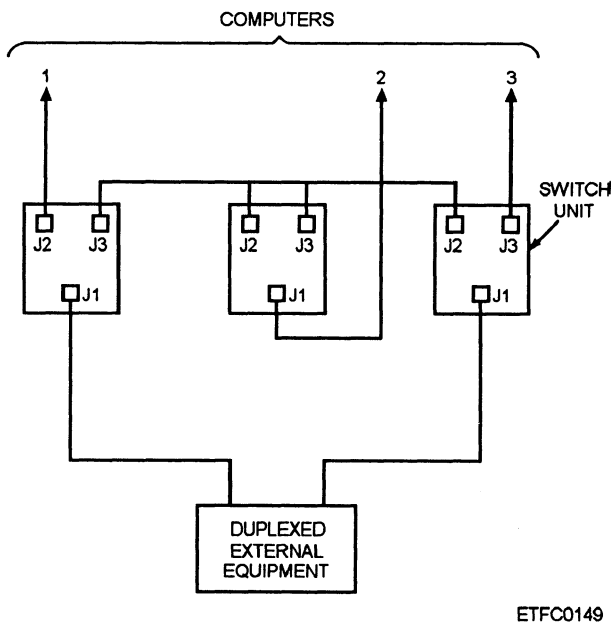


Figure 13-15.—Sample manual switching configuration.

### DIGITAL SWITCHBOARDS

The two basic types of shipboard digital switchboards are manual switchboards and remotely controlled switchboards.

**Manual switchboards** are made up of variable configurations of three-position or five-position switches (figure 13-14). Each switch must be manually positioned for the interconnection required by the current system configuration. At least two manual switches, one for input and one for output, are required for each I/O device or computer channel to allow for the complete range of system configuration requirements (figure 13-15). Manual switchboards are for the most part being replaced by remotely controlled switchboards.

**Remotely controlled switchboards** (figure 13-16) allow for configuration changes to be controlled from one or two remote computer switching control panels (CSCPs) (figure 13-17). The actual switch configuration and data routing take place in the CDS digital fire control switchboard (DFCS). This greatly reduces the time required for configuration changes in the event of equipment casualties.

As examples of DFCS and CSCP we are using the Mk 70 Mod ( ) DFCS and the Mk 328 Mod ( ) CSCP. The Mod numbers of the DFCS and CSCP will vary with the ship class on which they are installed. For training purposes we refer to the Mk 70 as the DFCS and the Mk 328 as the CSCP.

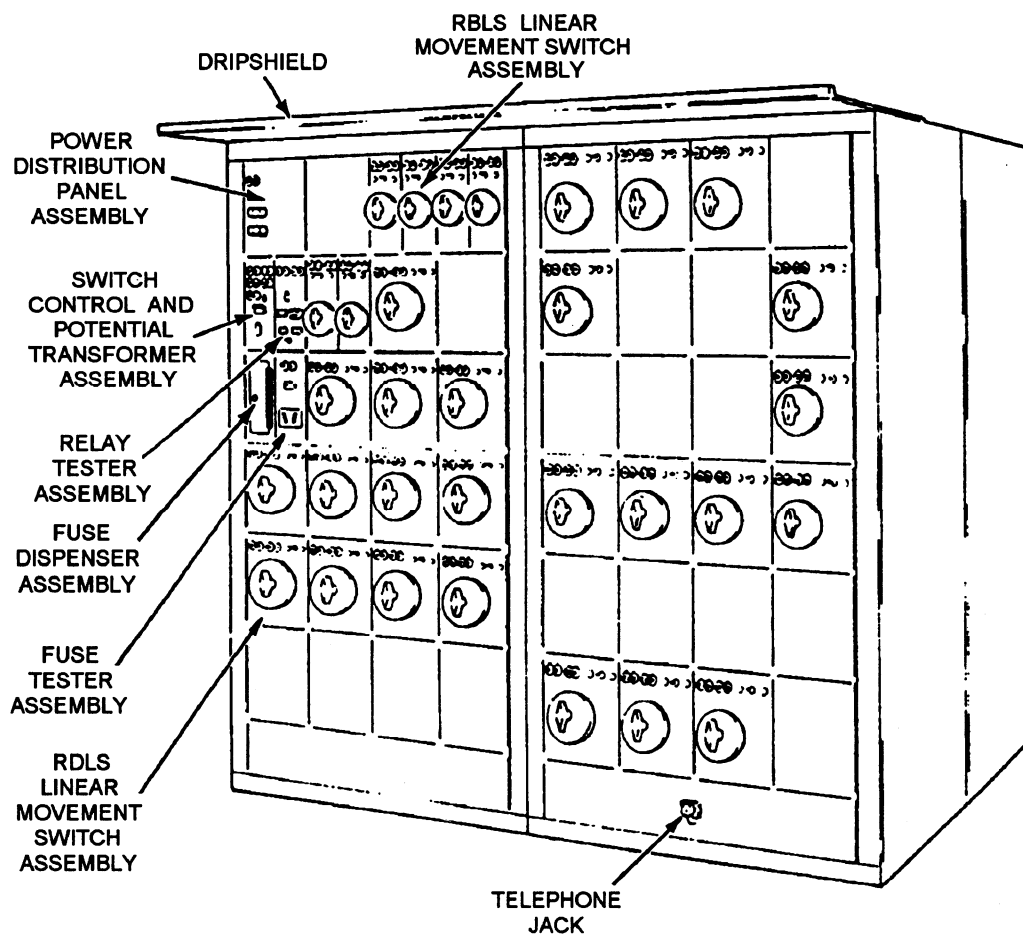
### DIGITAL FIRE CONTROL SWITCHBOARD (DFCS)

The digital fire control switchboard (DFCS) (figure 13-16) provides data routing, power monitoring, action cutout (ACO) switching, and digital switching. To perform these functions, the switchboard uses remotely operated switches and other assemblies. The switches

route digital signals through the switchboard during normal operation. The digital signals consist of groups of parallel bits, which form digital words. The digital words are transmitted between computers, associated peripheral equipment, and digital equipment in other subsystems as shown in figure 13-18. The switches also can be used to interrupt or redirect signal flow manually during maintenance operations.

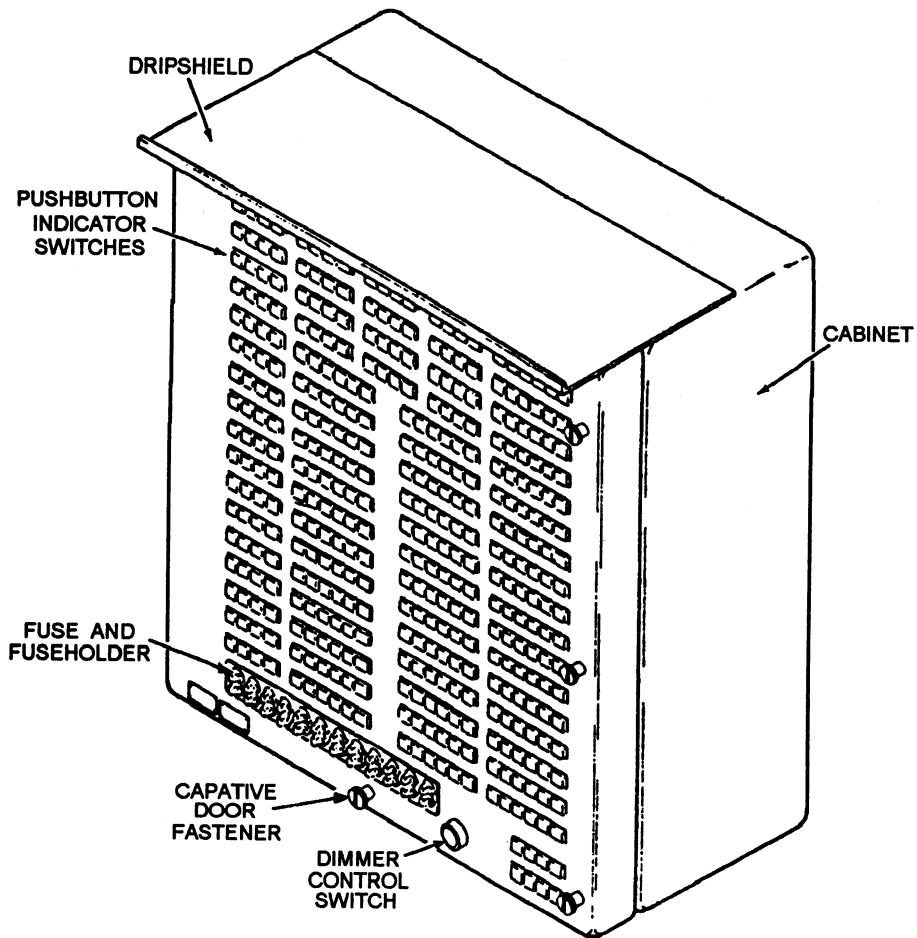
Control and status signals are normally used to initiate the switching action and monitor the status of the switch positions. The CSCP generates control signals to select the desired switch configuration on the switchboard. Status signals from the switchboard light indicators on the CSCP to display the current switching configuration. In a casualty situation, manual positioning of switches can be performed.

The DFCS is composed of two or more switchboard sections (figure 13-16) covered with variable configurations of switch panels. Each panel type performs a specific function. The 24 panels per section are normally arranged in groups according to the functions performed by the panels. The front panel of each switchboard section is hinged on the left side to



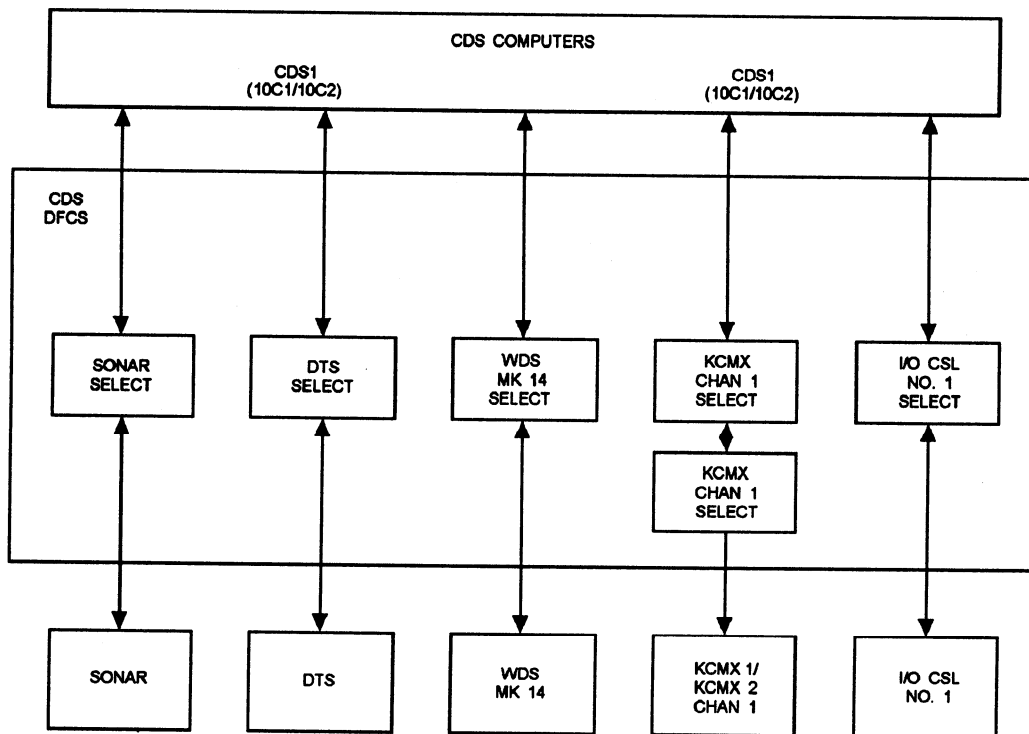
38NV0097

Figure 13-16.—Digital fire control switchboard (DFCS).



FCNP0036

Figure 13-17.—Computer switching and control panel (CSCP).



ETFC0150

Figure 13-18.—Equipment interconnection through the CDS DFCS.

allow access to the interior of the switchboard. The interior of the switchboard (figure 13-19) contains a system of modules and terminal board connectors that allow ship's wiring to be interconnected to the appropriate switch panels.

The switchboard panel locations are numbered for identification purposes starting at the upper left corner of the switchboard. The numbering continues from top to bottom, left to right. Each panel is marked with a designation plate mounted on the upper-left corner of the panel assembly or with a blank plate.

### Power Distribution Panel

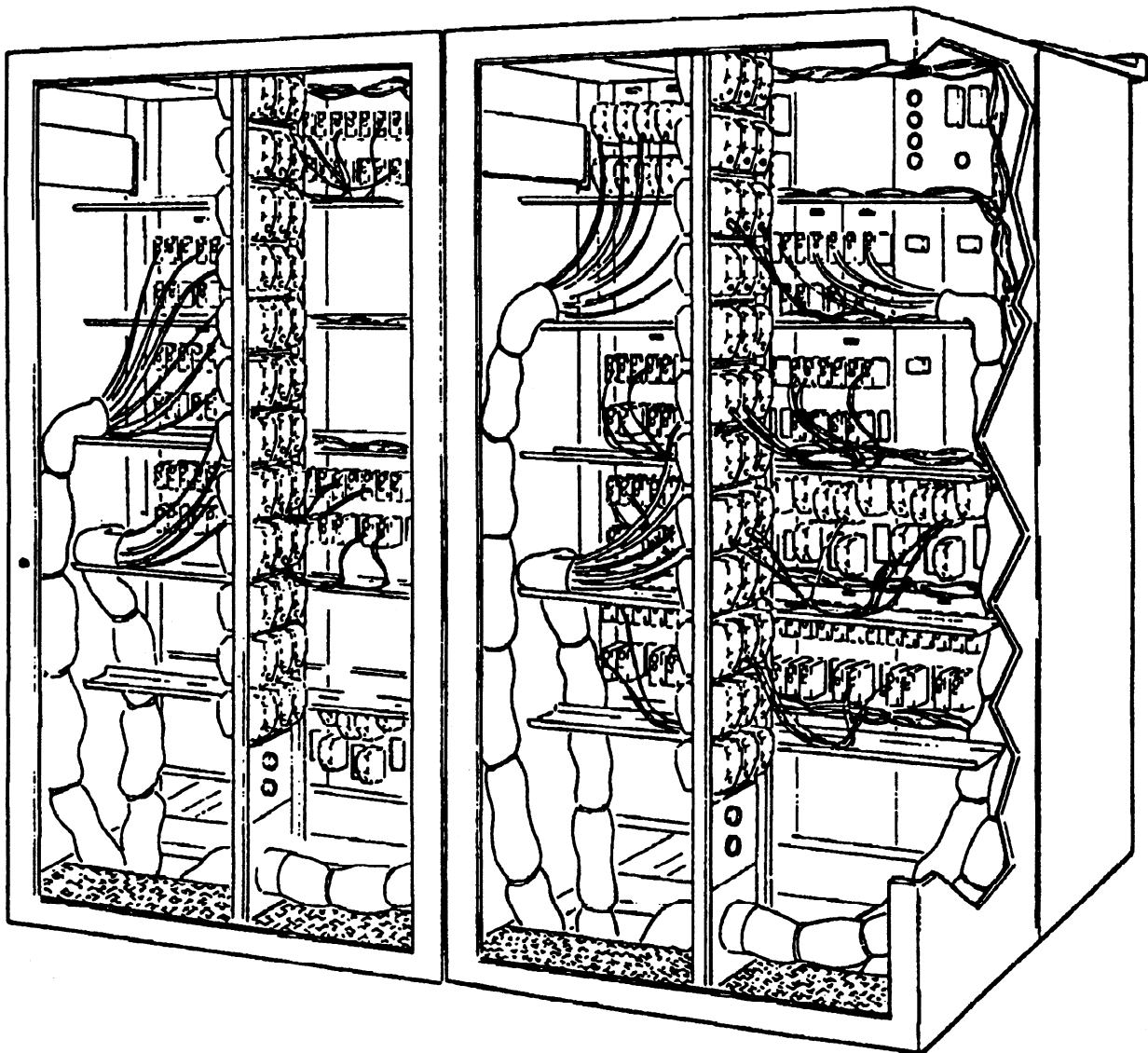
The power distribution panel (figure 13-20) provides a visual indication of power supplied to the

switchboard. Six indicators are mounted on the front of the panel and lighted when the appropriate power has been applied to the panel and distributed to the remainder of the switchboard.

### Linear Movement Switch Assemblies

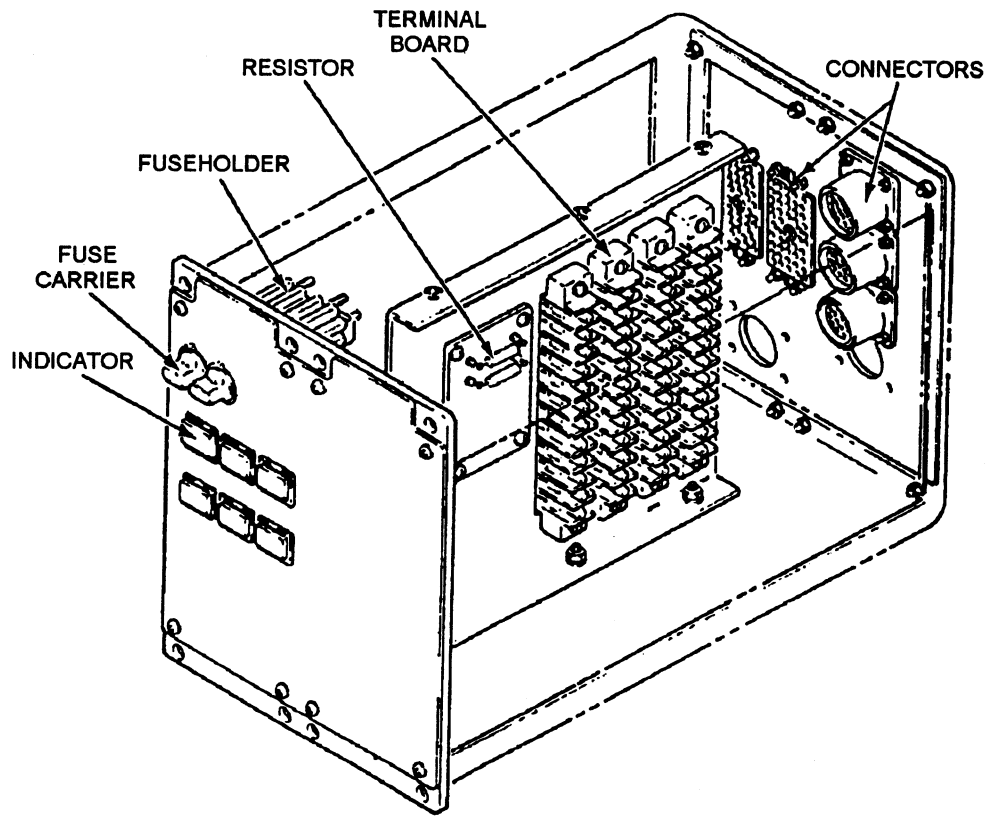
The majority of panel assemblies are linear movement switch assemblies. These assemblies route a specific number of circuits. The linear movement switch assemblies are normally positioned by control signals from the CSCP, but they may be manually positioned.

There are two types of linear movement switch assemblies, the R3DLSO-1B/R5DLSO-1B (figure 13-21)



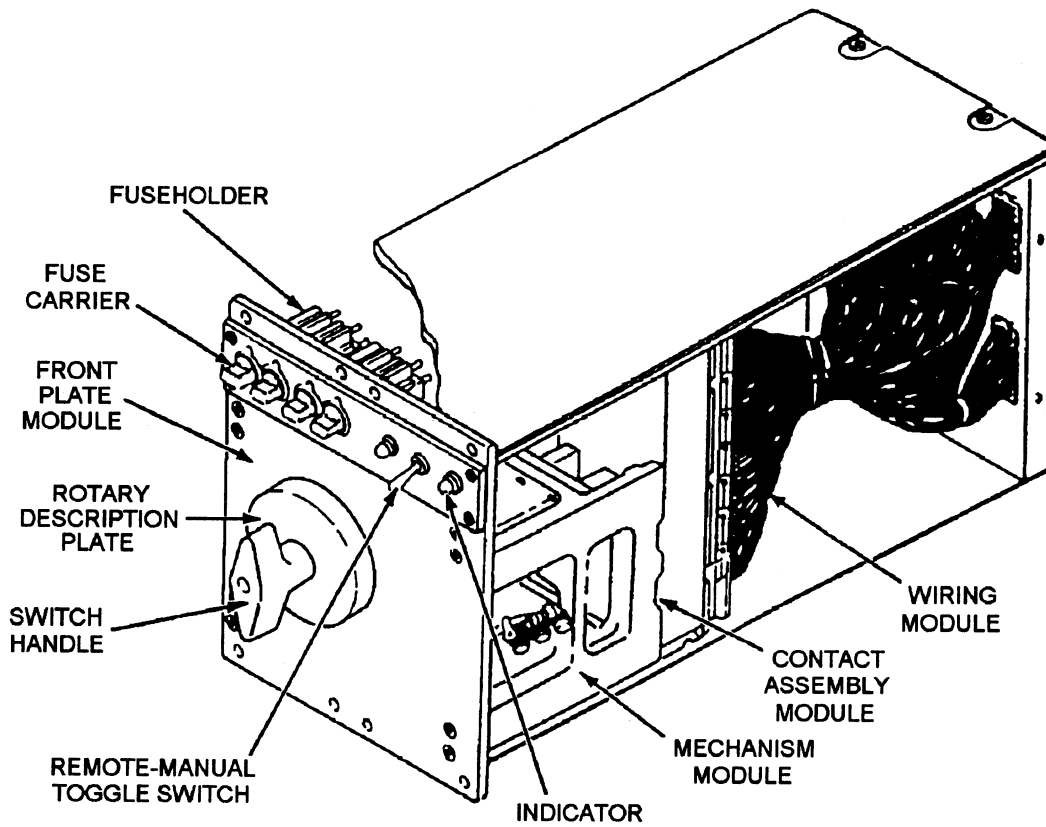
ETFC0151

Figure 13-19.—DFCS interior.



ETFC0152

Figure 13-20.—Power distribution panel assembly.



ETFC0153

Figure 13-21.—R3DLSO-1B/R5DLSO-1B linear movement switch assembly.

and the R3BLSO-1C/R5BLSO-1C (figure 13-22) assembly. The assemblies differ from each other in the front panel organization and in the wiring module capabilities. The panels provide different arrangements of 20-pin, 38-pin, 117-pin, and 120-pin connectors.

Both types of linear switches have similar mechanism and contact assembly modules. The mechanism assembly module contains the drive motor, the control circuit module, and the control transformers for remote operation of the switch. The contact assembly module consists of a stationary control plate and a moveable plate to perform the switching functions.

The linear switches perform either three-position (R3) or five-position (R5) switching functions. The three-position switches are used for NORMAL/ALTERNATE configuration switching with an OFF position for circuit isolation. The five-position switches have an OFF position with the four other switch positions being used for circuit configuration or reconfiguration. For an example, see figure 13-23.

One channel of a duplexed magnetic tape unit can be switched between four separate CDS IOC channels or isolated in the OFF position.

The front panels of both types contain a REMOTE-MANUAL toggle switch. When the switch is in the REMOTE position, the CSCP has control of the switch position (normal operating mode). When the toggle switch is in MANUAL, the switch must be positioned using the switch handle.

### Switch Control and Potential Transformer ACO Assembly

The switch control and potential transformer action cutout (ACO) assembly (figure 13-24) provides control voltages for bench testing of the linear movement switches. The control voltages are provided through test cables from the test jack to the linear switch assembly under test.

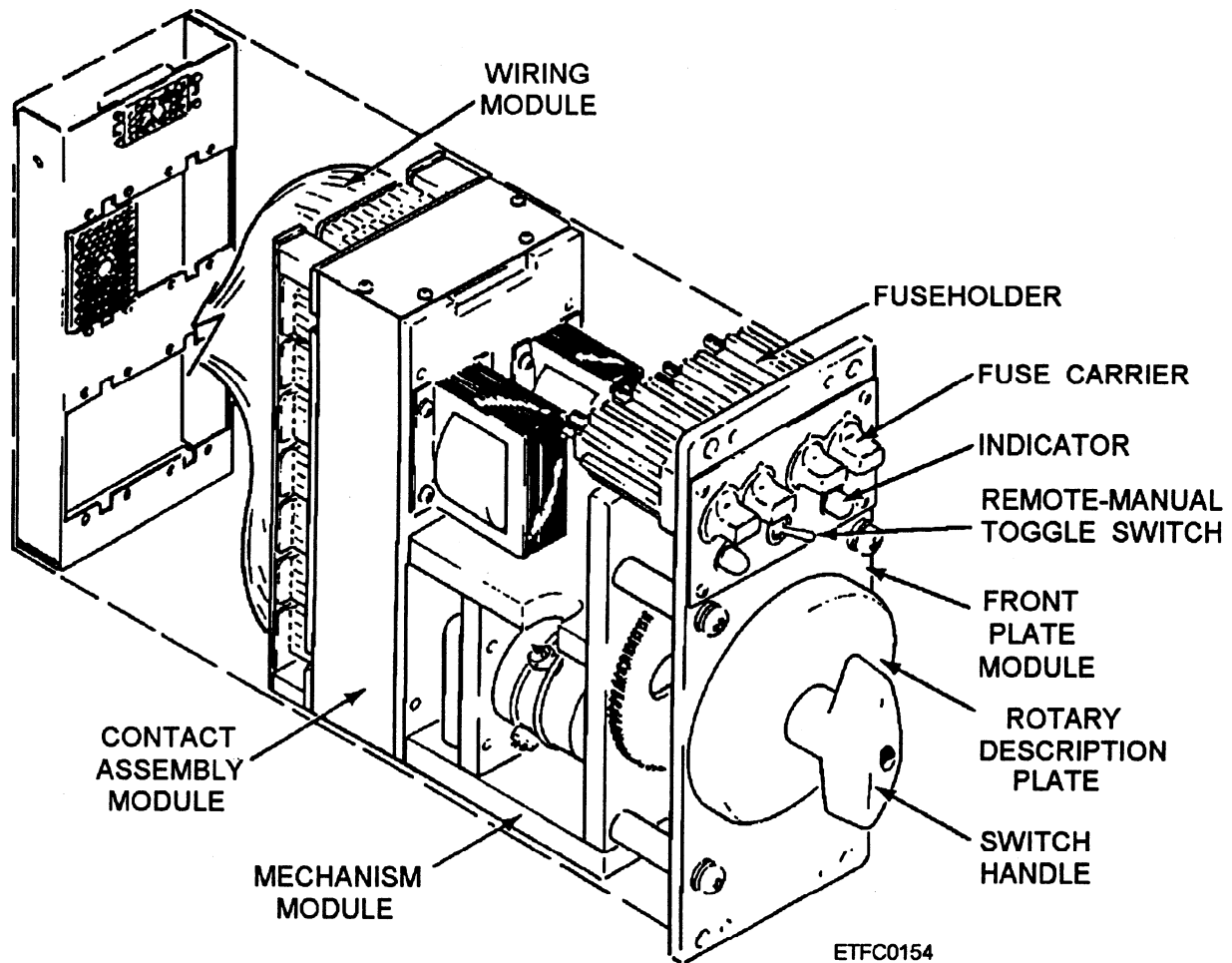
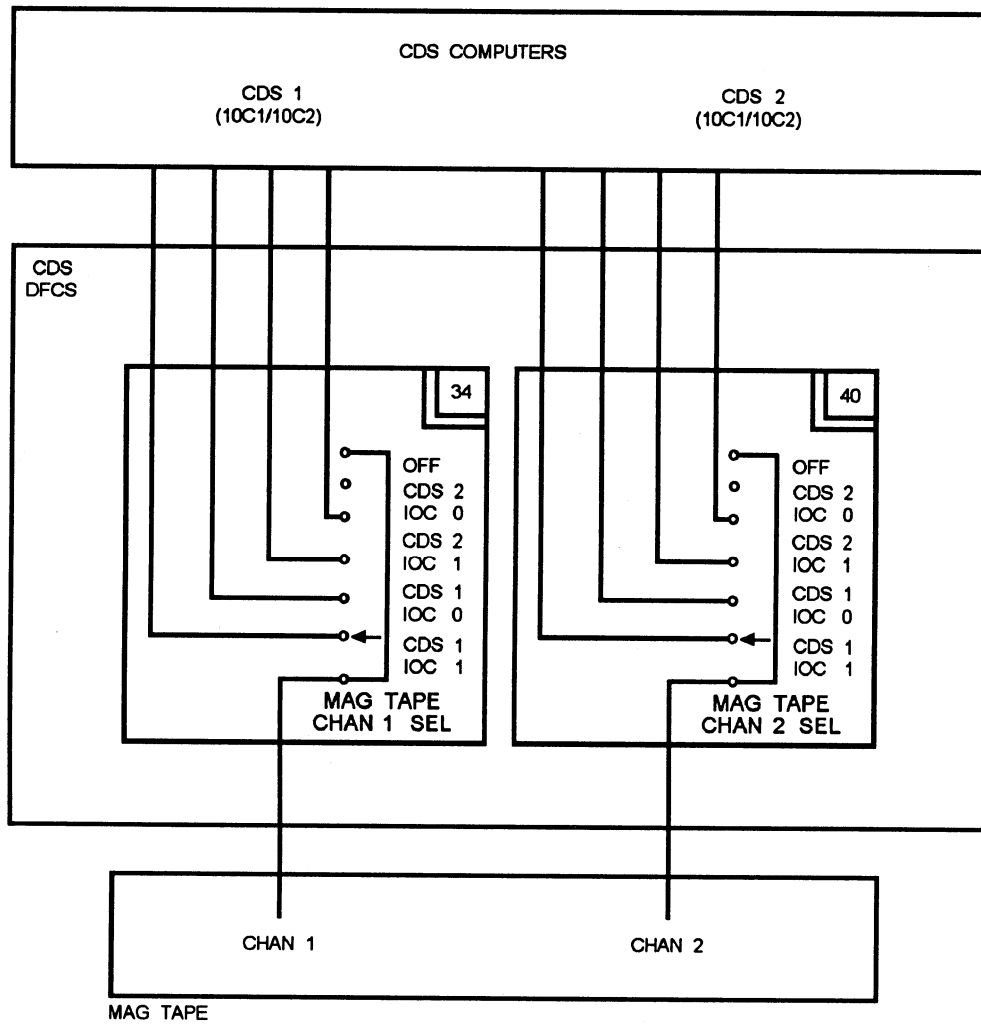
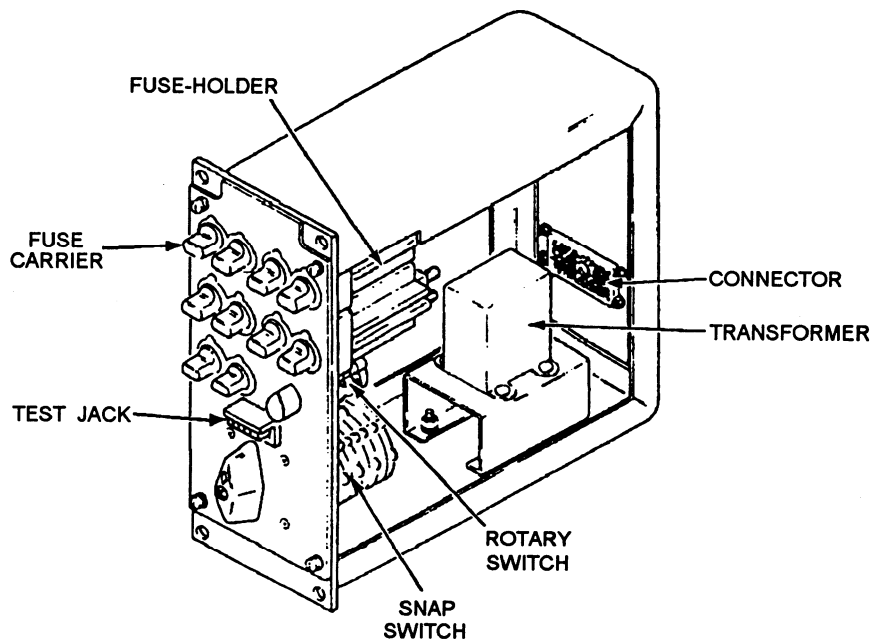


Figure 13-22.—R3BLSO-1C/R5BLSO-1C linear movement switch assembly.



ETFC0155

Figure 13-23.—Magnetic tape interconnection through the DFCS.



ETFC0156

Figure 13-24.—Switch control and potential transformer ACO assembly.

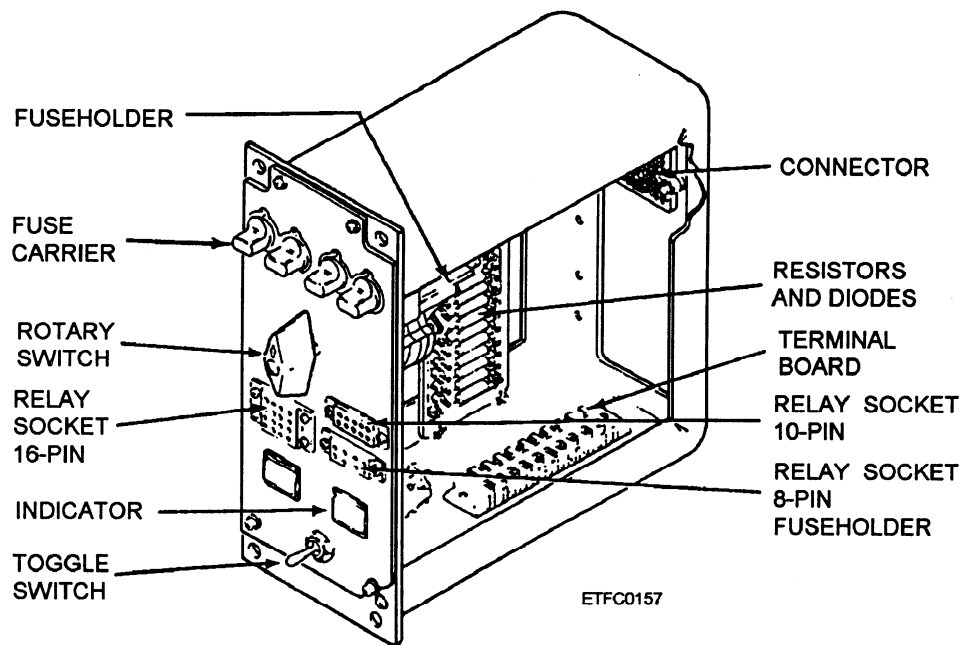


Figure 13-25.—Relay tester assembly.

### Relay Tester Assembly

The relay tester assembly (figure 13-25) provides the facilities for testing each type of relay used in the DFCS and the CSCPs. Relay sockets are provided for 8-, 10-, and 16-pin relays. The rotary switch is used to select the appropriate relay coil voltage. The toggle switch is used to energize/deenergize the relay coil. The indicator lamps indicate the state of the relay under test (ENERGIZED/DEENERGIZED).

### Fuse Tester Assembly

The fuse tester assembly (figure 13-26) is used to test fuses for continuity. The POWER ON PBI is used to apply power to the fuse tester. The POWER ON indicator will light when the tester is on. When a good fuse is placed across the contact strips, the CONTINUITY INDICATOR light will come on. A blown fuse placed across the contact strips will not light the indicator, since there is no current path through the fuse.

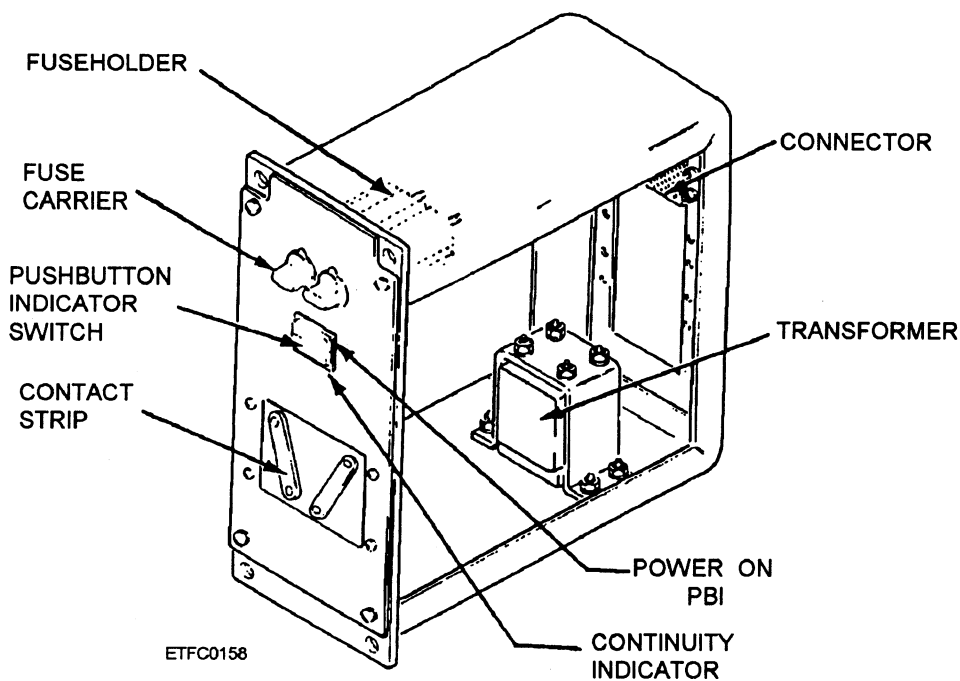


Figure 13-26.—Fuse tester assembly (DFCS).

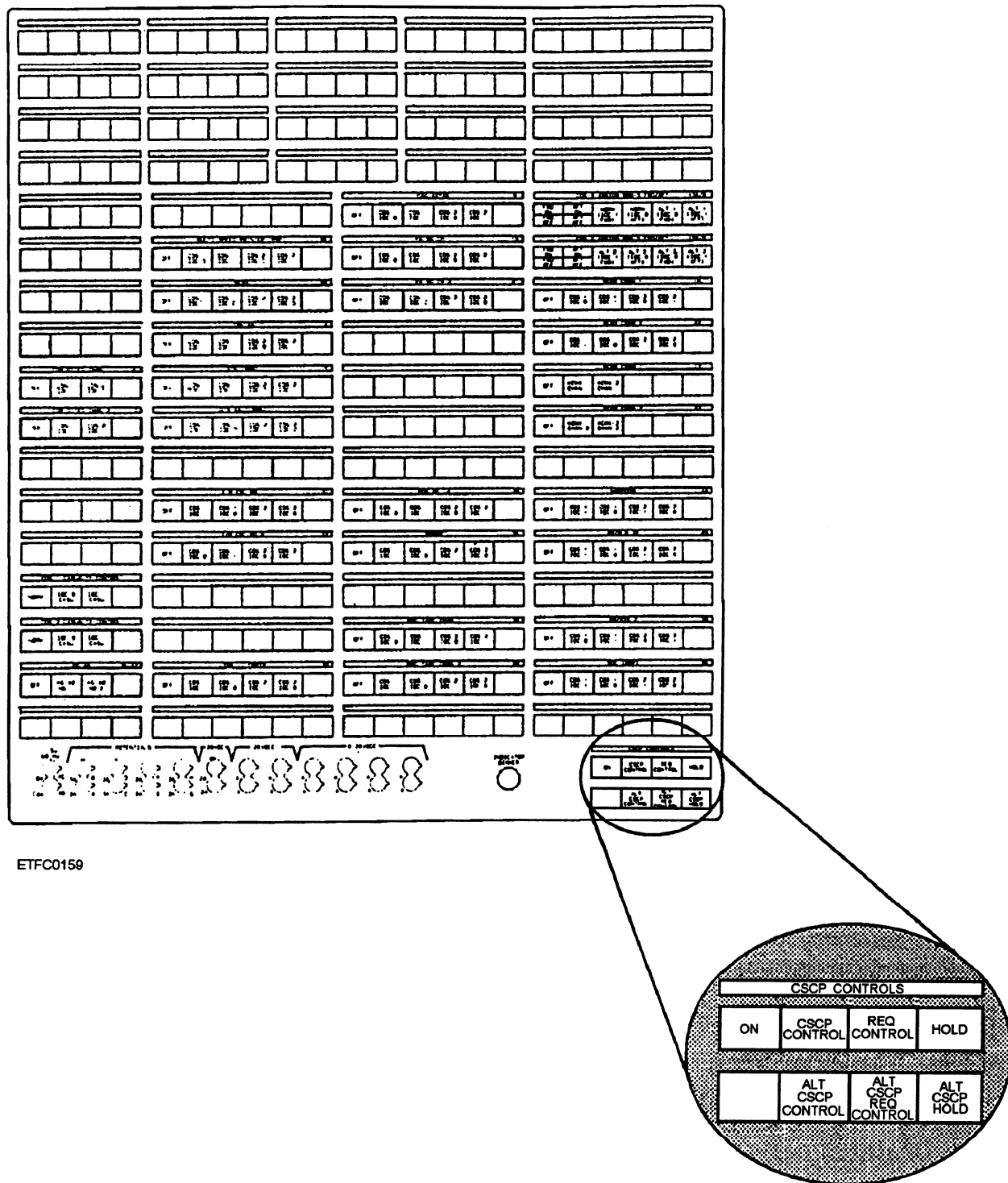


## Computer Switching and Control Panel (CSCP)

The two computer switching and control panels (CSCPs) are used to make switch assignments on the DFCS (controlling CSCP front panel). Switch assignments are made by depressing the associated pushbutton/indicator (PBI) on the controlling CSCP

front panel (figure 13-27). The CSCP will generate a control signal to the appropriate DFCS linear switch assembly, which will respond with a status signal when it is in the assigned position. The PBI will light when the switch is in the commanded position.

Four colors are used for PBI indicators: white, red, green, and yellow. White indicates the linear slide



ETFC0159

Figure 13-27.—CSCP controls and indicators.

switch position is in the ON position. Red indicates the switch is in the OFF position. Green indicates the switch is in the NORMAL position, while yellow indicates the switch is in the ALTERNATE position. Figure 13-27 shows an example of a typical CSCP configuration. The number and functional assignment of PBIs vary from ship to ship.

The PBIs in the lower right corner of the CSCP front panel shown in figure 13-27 are used to apply power to the CSCP PBIs (ON), to indicate current CSCP control status (CSCP CONTROL or ALT CSCP CONTROL), and to transfer control from the controlling CSCP to the alternate CSCP (REQ CONTROL, HOLD, ALT CSCP REQ CONTROL, and ALT CSCP HOLD). Manual PBI actions are required at both CSCPs to transfer control between panels.

At the requesting CSCP, depression of the REQ CONTROL PBI will cause the ALT CSCP REQ CONTROL indicator to light red on the controlling CSCP. The REQ CONTROL PBI will flash red on the requesting CSCP until the operator of the controlling CSCP depresses ALT CSCP CONTROL PBI, giving control to the requesting CSCP. The CSCP CONTROL light will come on when the requesting CSCP is in control and the flashing light will go out. The HOLD PBIs are used to indicate refusal to transfer control.

## SHIP, SWITCHBOARD, AND COMPUTER SWITCHING CONTROL PANEL (CSCP) WIRING

Switchboard and CSCP wires connect assemblies and components inside the switchboard and CSCP. Ship's cables are individually plug-connected to panel connectors in the switchboard. Ship's cables are identified by a cable group number and cable type.

Ship's cables, switchboard wires, and CSCP harness wires use plastic sleeves or metal tags for marking. Each ship wire has a marking bearing the ship's wire number. When required, switchboard and CSCP wires have plastic marking sleeves at each end. The sleeves identify the terminals at both ends of the wire. Separate wiring codes are used for ship's wires, switchboard wires, and CSCP wires.

The ship's wire marking codes are system oriented. They consist of an alphanumeric code that identifies the signal being carried by function number, circuit designation, and assigned wire number. A typical ship's wire code number is shown in table 13-4.

Table 13-4.—A Typical Ship's Wire Code Number

<b>WIRE CODE NUMBER: 51-PD-713</b>		
<b>51</b>	<b>PD</b>	<b>713</b>
<b>FUNCTION NUMBER</b>	<b>CIRCUIT</b>	<b>WIRE NUMBER</b>

There are eight types of PANEL ASSEMBLY connectors used in the switchboard. These connectors are used for the linear movement switch assemblies, fuse tester assembly, relay tester assembly, and power distribution assembly. They consist of various types of 120-, 117-, 104-, 85-, 38-, 20-, 10-, and 3-pin connectors. For wiring and maintenance purposes, a common alphanumeric designation system is used to identify specific circuit connections, as shown in table 13-5.

Table 13-5.—Panel Connection Cable Code

<b>PANEL CONNECTOR CODE: PP-36-D-C</b>			
<b>PP</b>	<b>36</b>	<b>D</b>	<b>C</b>
<b>PANEL CONNECTOR PLUG (PJ FOR JACK)</b>	<b>PANEL LOCATION</b>	<b>CONNECTOR LETTER</b>	<b>PIN LETTER</b>

Within the switchboard are what are known as matrix panels. The matrix panels interconnect the signal paths between the ship's wiring and the assembly panels. The designation codes for matrix panel connections are shown in table 13-6.

Table 13-6.—Matrix Panel Connection Code

<b>MATRIX PANEL CONNECTION CODE: JC-1-A-A</b>			
<b>JC</b>	<b>1</b>	<b>A</b>	<b>A</b>
<b>MATRIX PANEL DESIGNATOR</b>	<b>SECTION NUMBER</b>	<b>MODULE</b>	<b>CONNECTOR DESIGNATOR</b>

Intersection connectors are used to the switchboard sections together. Intersection connector codes are identified in table 13-7.

Table 13-7.—Intersection Connector Code

<b>INTERSECTION CONNECTOR CODE: JR-1-A-A</b>			
<b>JR</b>	<b>1</b>	<b>A</b>	<b>A</b>
<b>INTERSECTION CONNECTOR</b>	<b>SECTION NUMBER</b>	<b>MODULE</b>	<b>CONTACT DESIGNATOR</b>

The CSCP uses two types of connectors, a 10-pin connector and an 85-pin connector. The 10-pin connectors are designated JA, JB, JN, and JP. The 85-pin connectors are designated JC through JG, JH, and JK. The alphanumeric identification shown in table 13-8 is used for CSCP connectors.

Table 13-8.—CSCP Connector Code

CSCP CONNECTOR CODE: JC-C	
JC	C
CSCP CONNECTOR DESIGNATOR	CONTACT DESIGNATOR

### ANALOG SWITCHBOARDS

Analog switchboards are similar in design to the Mk 70 DFCS. The switchboard is made up of a variable number of switchboard sections. The number of

sections required will vary with the analog interface requirements of the shipboard system.

Each switchboard section consists of front and rear cabinets (figure 13-28). The front cabinet contains the panel assemblies. The rear cabinet contains removable modules on which are mounted the ship's cable connectors.

Each switchboard section contains 36 panels of various types mounted on the door of the front cabinet. The panels are numbered starting with panel 1 in the upper left-hand corner in section 1 and progressing consecutively downward in each column and successively to the right. The door in each switchboard section allows access to the section interior.

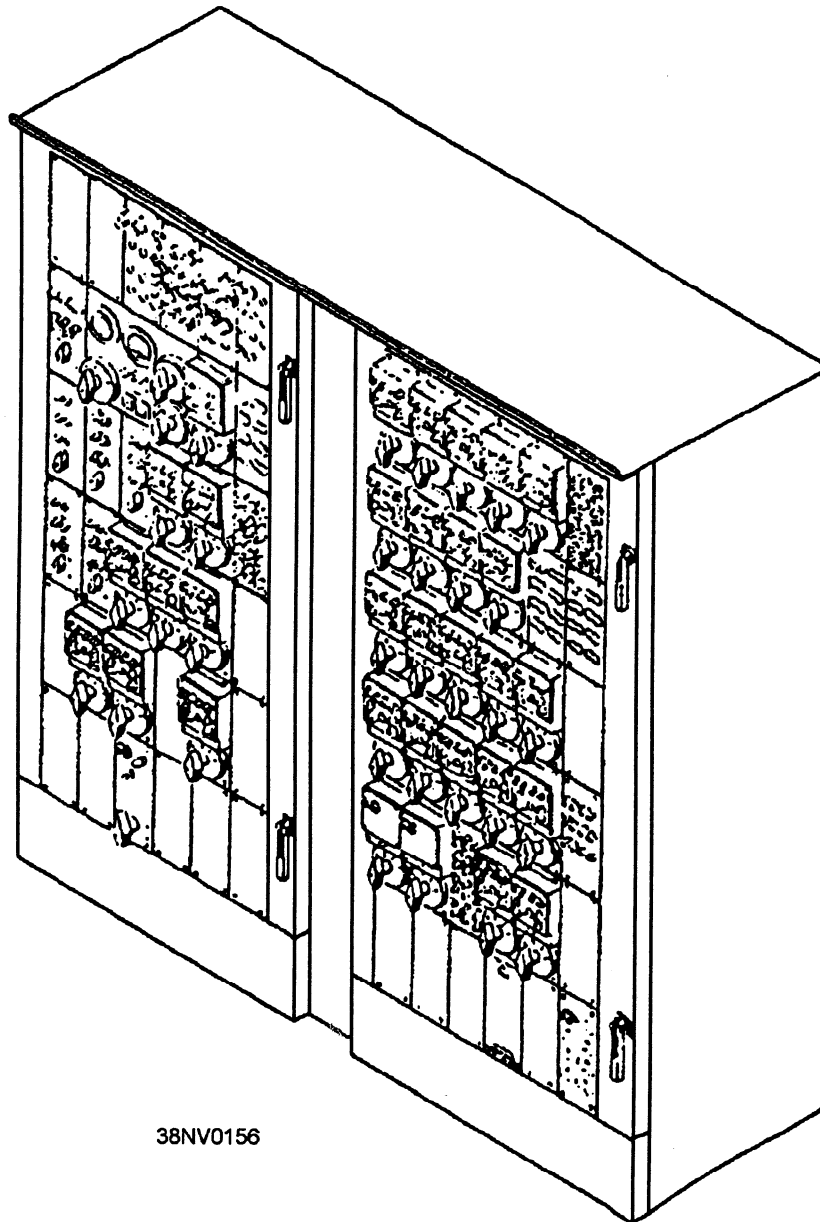


Figure 13-28.—Analog switchboard.

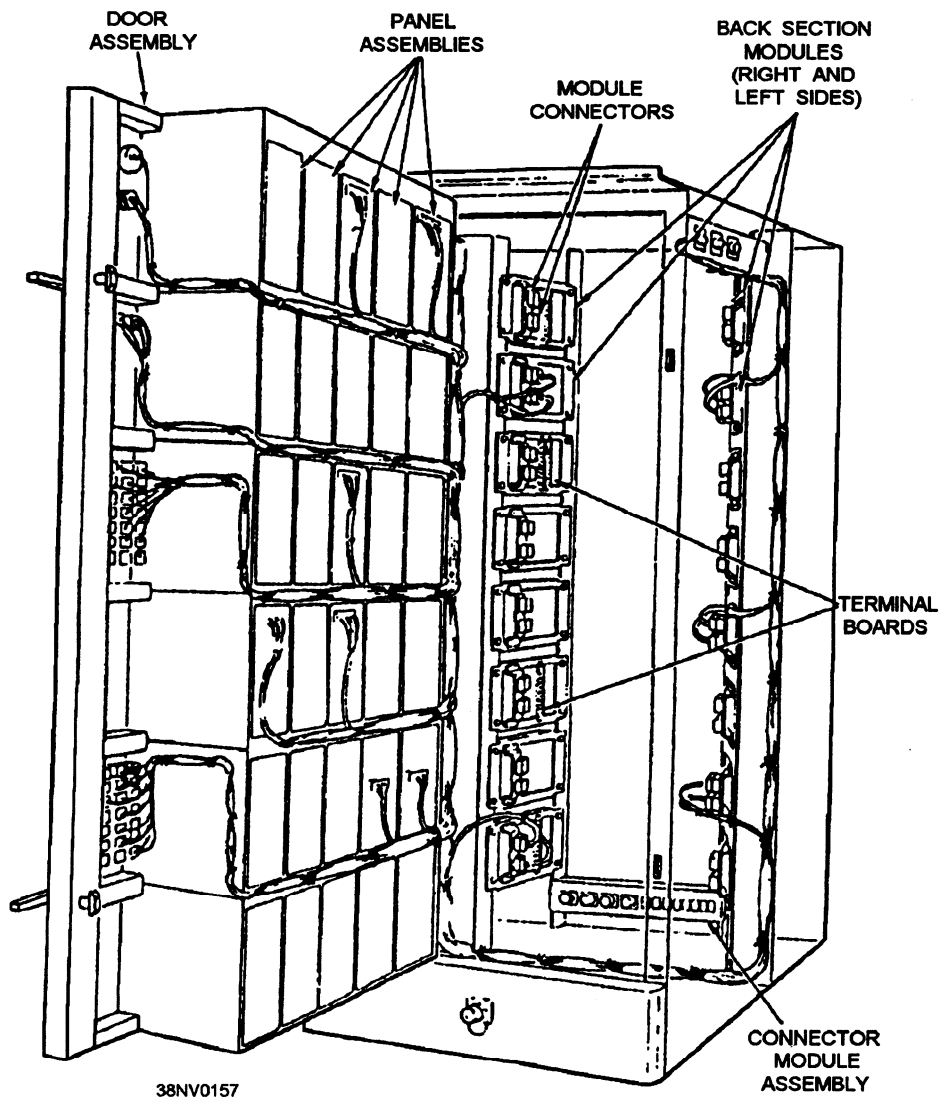


Figure 13-29.—Analog switchboard section, door open.

Ship's cables enter the switchboard through the rear cabinet and connect to the front of the module terminal boards (figure 13-29). From the panel assemblies, wiring is routed to the backside of the terminal boards on the modules via plug connectors. Wiring between switchboard sections is routed via inter-section connectors.

The following panel assemblies are found on analog switchboards. Individual analog switchboard layouts and configurations will vary between ship classes.

### Indicator Panel Assembly

The indicator panel assembly (figure 13-30) provides a visual indication of the active power being supplied to the switchboard. The panel assembly contains up to 10 indicators, all of which are mounted on the front panel.

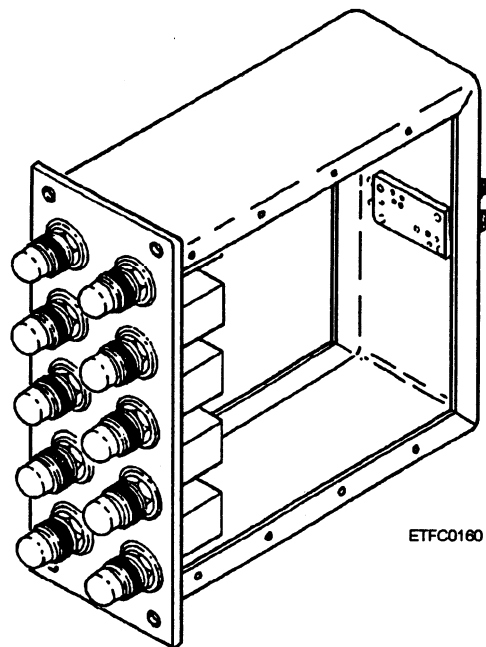
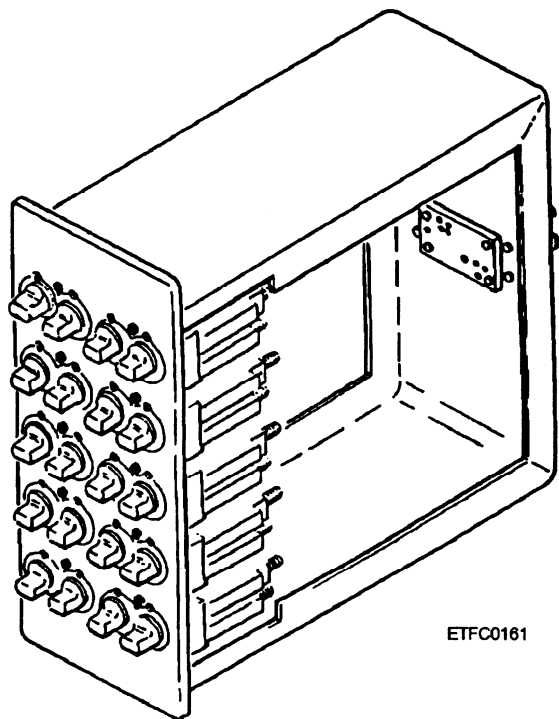


Figure 13-30.—Indicator panel assembly.



ETFC0161

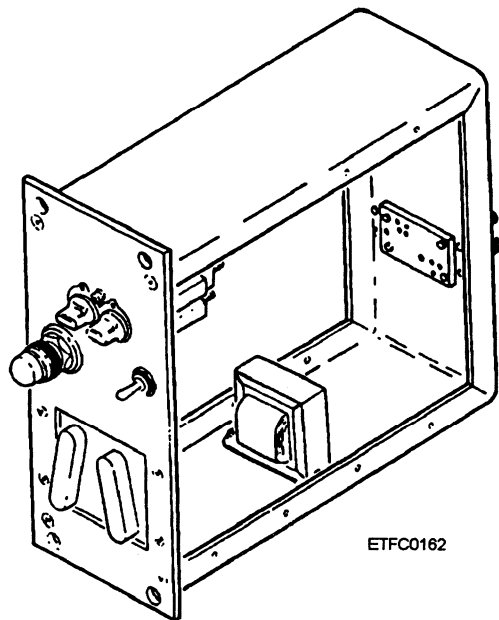
Figure 13-31.—Fuse panel assembly.

### Fuse Panel Assembly

The fuse panel assembly (figure 13-31) contains overflow fuses for circuits located in an associated panel. Each panel may contain up to 10 dual indicator-type fuseholders.

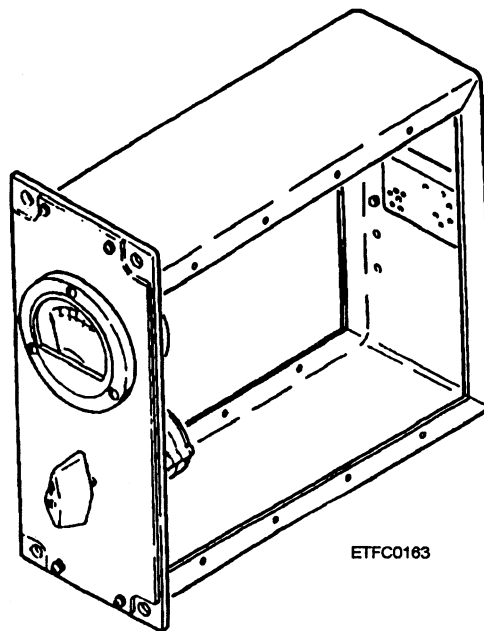
### Fuse Tinter Panel Assembly

The fuse tester panel (figure 13-32) functions in the same manner as the Mk 70 DFCS fuse tester panel.



ETFC0162

Figure 13-32.—Fuse tester assembly (analog switchboard).



ETFC0163

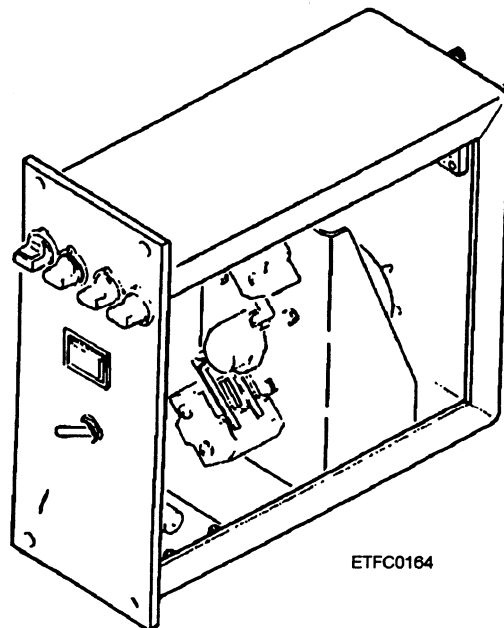
Figure 13-33.—Meter panel assembly.

### Meter Panel Assembly

Two meter panels (figure 13-33) are used: one panel type monitors 60-Hz and 400-Hz power buses and the other monitors de buses. The panels contain an ac or de meter and a rotary snap switch. The snap switch enables voltage measurements to be performed on the selected power bus.

### Flasher Panel Assembly

The flasher panel (figure 13-34) produces pulsating (ON/OFF/ON and so forth) potentials to activate



ETFC0164

Figure 13-34.—Flasher panel assembly.

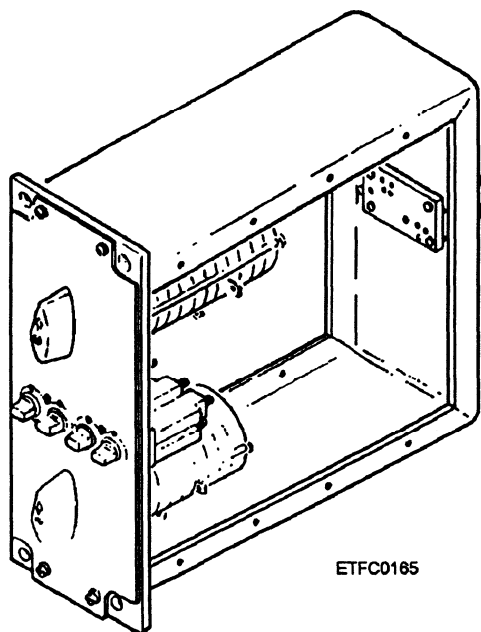


Figure 13-35.—Snap switch panel assembly.

flashing system indicators when a warning or emergency condition occurs. Motor-driven dual-cam and three-cam activated switches open and close control or status signal circuits to provide the flashing effect on indicator lamps.

### Snap Switch Panel Assembly

The snap switch panel assembly (figure 13-35) provides manual control of switchboard power buses. An individual panel mat contains either one or two snap switches.

The snap switch (figure 13-36) is a device that opens or closes a circuit with a quick motion. Rotary snap switches are used extensively in the distribution

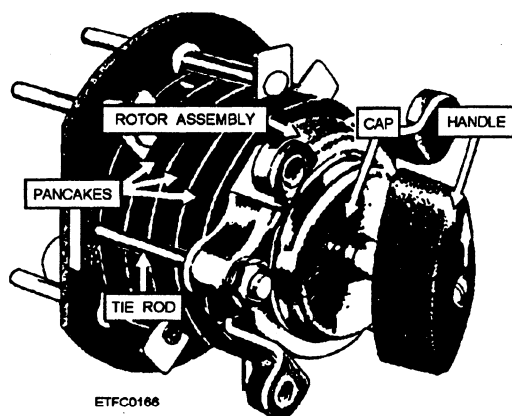


Figure 13-36.—Snap switch.

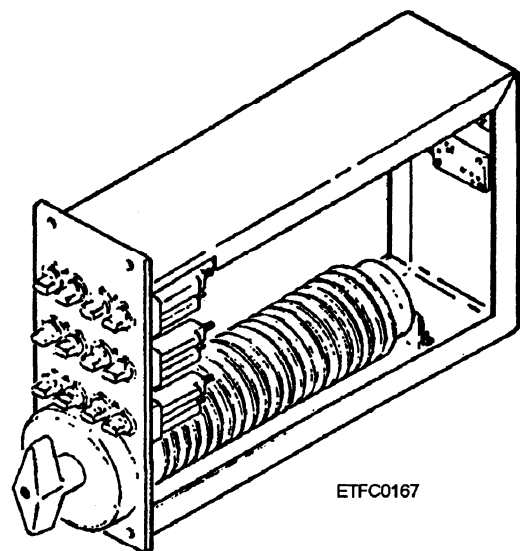


Figure 13-37.—Manually operated JR switch panel assembly.

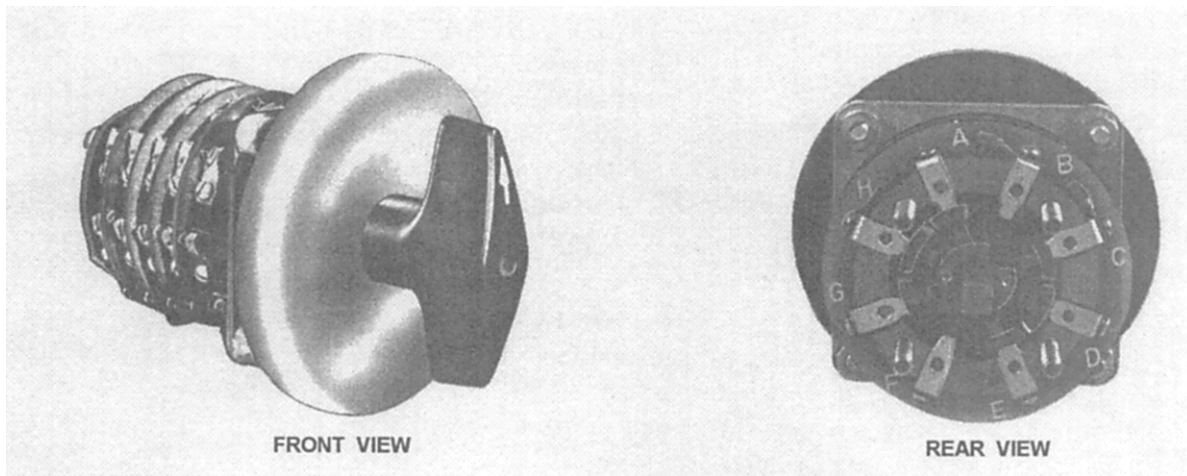
sections of switchboards to connect the shipboard power supplies to the various switchboard power buses.

### Manually Operated JR Switch Panel Assembly

The manually operated JR switch panel assembly (figure 13-37) provides manual switching and action cutout (ACO) functions. The manually operated JR switch panel assembly uses either a 2JR or 4JR switch. Both switch types are similar in construction and differ only in the electrical application because of switching action. A JR switch as shown in figure 13-38 is made up of a variable number of waferlike sections. As the switch is manually positioned, one or more moveable contacts are positioned to each switch position on the wafer. The contacts may connect (bridge) two or more contacts on each wafer effectively opening or closing circuit paths as required to configure the system for normal or alternate operation.

### Remotely Operated JR Switch Panel Assembly

The remotely operated JR switch, panel (figure 13-39) provides remote and manual control of signal routing and ACO switching. The automatic junction rotary (AJR) switches used in these assemblies are driven by a motor and gear train servo system. The automatic switches allow control of switching functions from remote stations. Analog switchboards used with combat direction systems use control signals provided by the multiplexing data converter to activate the switches and provide status signals back to the converter to indicate switch position to the system.

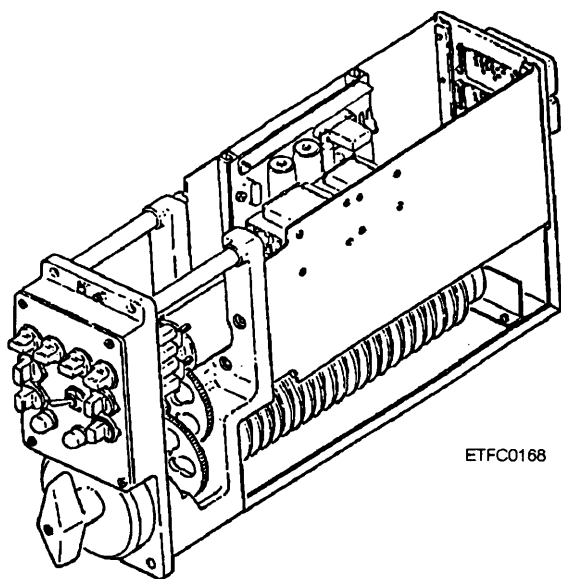


**Figure 13-38.—JR switch (type 4).**

Each panel contains a REMOTE-MANUAL toggle switch. The servo system controls the position of the AJR switch when the toggle switch is in the REMOTE position. The toggle switch must be placed in MANUAL to allow personnel to rotate the switch.

### Linear Movement Switches

In newer switchboards and upgrades to older switchboards, the rotary-type JR and AJR switches have been replaced by linear movement switches with the same electrical configurations as the JR switches. We covered linear movement switch panel assemblies in the Mk 70 DFCS.



**Figure 13-39.—Remotely operated JR switch panel assembly.**

### END-AROUND-TEST (EAT)

One of the functions provided by both analog and digital switchboards is the end-around-test (EAT). When switches are in the EAT position, switchboards take the output of a device and feed it back to the same or similar device as input data. For instance, a control signal generated by a device such as the KCMX can be routed end-around as a status signal input. The output of a digital-to-synchro (D/S) converter can be fed end-around to a synchro-to-digital (S/D) converter or the output channel of a computer can be end-around as an input channel for the same computer. EAT allows for offline testing and verification of the operability of digital and analog interfaces, both within the CDS and external to the CDS.

### SUMMARY—DATA CONVERSION DEVICES AND SWITCHBOARDS

This chapter has introduced you to analog-to-digital (A/D), digital-to-analog (D/A), and digital-to-digital (D/D) conversion methods and some typical conversion devices. You were also introduced to data switchboards used in system configuration. The following information summarizes important points you should have learned.

**FUNDAMENTALS OF DATA CONVERSION—** The digital equipment that composes the combat direction system (CDS) uses information in analog form. To use this information, the analog signals must first be converted to digital signals. The amplitude, frequency, or phase of an analog signal may represent a value within a given set of limits (minimum

limit to maximum limit). Binary codes of ONES and ZEROS are used to represent digital values. Each bit position in a binary number represents a portion of the overall quantity being represented. The summation of the values of the set bits (ONES) determines the value to be represented.

**ANALOG-TO-DIGITAL (A/D) AND DIGITAL-TO-ANALOG (D/A) CONVERSIONS**— The analog-to-digital conversion process can be divided into three operations: sampling, quantization, and encoding.

**ANALOG AND DIGITAL QUANTITIES**— An analog signal is sampled or tested repeatedly over a period of time to determine the characteristic that contains the analog quantity. The sampled analog value is converted to the nearest binary value or quantity. The binary value is then encoded into a code acceptable to the digital equipments that use the data. Standardized binary words called BAMs (binary angular measurement) are used to transmit angular, range, and height values between digital equipments in shipboard combat direction systems. Other coding systems such as Gray code or binary-coded decimal (BCD) are also used to transmit converted values.

**ANALOG-TO-DIGITAL CONVERTERS**— An analog-to-digital converter is a device that receives an analog signal and converts it to a digital (binary) quantity with a given accuracy and resolution.

**SYNCHROS**— One of the most common analog shipboard signals indicating angular position that requires conversion to binary is the 3-phase or 5-wire synchro signal. Synchro is the name given to a variety of rotary, electromechanical, position-sensing devices. A synchro system is made up of a combination of a synchro transmitter and one or more synchro receivers. There are two major classifications of synchro systems: torque systems and control systems. Most shipboard synchro systems operate on a supply or reference voltage of 115 vac at a frequency of 60 or 400 Hz.

**SYNCHRO ACCURACY**— The accuracy of data transmitted by synchros is improved by using a multispeed synchro system such as a dual-speed system. A dual-speed synchro system uses two synchro transmissions, with a common reference voltage, called the coarse and fine transmissions. The coarse and fine transmissions are converted separately and the results are then combined into one BAM word.

**SYNCHRO SIGNAL CONVERSION**— Two methods are currently in use to convert synchro signals

to digital (BAM) words: the sector method and the octant method.

**SECTOR METHOD**— The sector method first determines the 60-degree sector angle in which the rotor is positioned using the stator voltages. When the sector has been determined, two of the three stator voltages are sampled to determine the ratio angle within the sector. The sector angle and the ratio angle are then summed to determine the binary angle of the rotor position in BAMs.

**OCTANT METHOD**— The octant method first determines the 45-degree octant by converting the synchro signal into two sine and cosine voltages. The remaining angle within the octant is determined by a process of successive approximations.

**THE DIGITAL-TO-ANALOG CONVERTER CV-2517B/UYK**— The CV-2517B/UYK DAC is a multipurpose digital-to-analog converter. It is capable of accepting parallel digital data words (BAMs) and converting them into linear, scalar, or synchro output signals. Each DAC is divided into two channels, designated channels A and B. Each channel can output two linear voltages, a sine/cosine scalar signal, or a single-speed synchro signal.

**SHIPBOARD DIGITAL/ANALOG SYSTEM INTERFACES**— Shipboard digital/analog system interfaces permit nominally independent shipboard systems or subsystems to communicate or interface with the combat direction system.

**MULTIPLEXING DATA CONVERTERS**— Multiplexing data converters are computer-controlled multipurpose devices that operate between one or more digital computers and a variety of control, status, digital and analog devices located in remote shipboard subsystems.

**KEYSET CENTRAL MULTIPLEXER (KCMX)**—The KCMX provides the means for exchanging data, control, and status information between either one of two computers and a variety of I/O devices. The KCMX duplexer allows two computers to alternately control operation of the KCMX. Three external function (EF) commands are used to control the duplexer operation: REQUEST CONTROL, RELEASE LOCAL, and RELEASE REMOTE. The KCMX can operate in one of seven modes, as specified by the controlling computer: NEUTRAL, DUPLEX, RDUC (receive data from unit computer), TDUC (transmit data to unit computer), TDUC and RDUC, INTERRUPT, and KEYSET ERROR.



**KCMX INPUT AND OUTPUT**— The KCMX can receive ready digital (RD) data from up to eight radar azimuth converters (RACs). The ENTER signal indicates that the ready digital (RD) data is valid and may be sampled and sent to the controlling computer. The KCMX is capable of outputting data over four digital output channels (DOCs) and receiving data from four digital input channels (DICs). These channels can be manually set to computer (COMPUTE) or peripheral (PERIPH) formats. The KCMX can receive up to 60 status signals. The status signals' conditions (0 or 1) are inputted to the computer as two 30-bit status words. The KCMX generates control signals based on individual bits set in two control words received from the controlling computer.

**KCMX CONVERSIONS**— The KCMX can accept and convert inputs from up to 323-wire synchros using 12 reference voltages. Two separate conversions are performed for each input, one for the fine speed and one for the coarse speed. When converting single-speed synchro inputs, both conversions are performed. However, the fine conversion is ignored and the bits that apply to the fine conversion in the BAM word are zeroed.

**SWITCHBOARDS**— Switchboards are used to interconnect a ship's systems. There are two major types of switchboards: digital and analog.

**DIGITAL SWITCHBOARDS**— Digital switchboards primarily interconnect digital devices. There are two types of digital switchboards: manual switchboards and remotely controlled switchboards.

**MANUAL SWITCHBOARDS**— Manual switchboards are made up of variable configurations of

manually operated three-position and five-position switches.

**REMOTELY CONTROLLED SWITCHBOARDS**— Remotely controlled switchboard configuration changes are accomplished from one of two computer switching control panels (CSCPs). The CSCP generates control signals to position the linear slide switches and receives status signals from the switches to indicate current switch position.

**DIGITAL FIRE CONTROL SWITCHBOARD (DFCS)**— The digital fire control switchboard (DFCS) performs data routing, power monitoring, action cutout (ACO) switching, and digital switching.

**SHIP, SWITCHBOARD, AND CSCP WIRING**— All cables and wires used aboard a ship are labeled with a specific code. Specific codes are used to identify ship's wiring, switchboard wiring, and CSCP wiring. These codes are found on metal or plastic labels on each end of the cable.

**ANALOG SWITCHBOARDS**— Analog switchboards receive control signals from the multiplexing data converter to position the automatic junction rotary (AJR) switches and provide status signals to indicate switch status.

**END-AROUND-TEST (EAT)**— One of the functions provided by both analog and digital switchboards is the end-around-test (EAT). When switches are set to the EAT position, the switchboard routes the output of a device back to the same or similar device as input data.



## APPENDIX I

# GLOSSARY OF TERMS AND ACRONYMS

**2M**— Miniature/Microminiature (2M) Electronic Repair.

**A/D**— Analog-to-digital.

**AAC**— Analog-to-analog converter.

**ABORT**— To end the execution of a program before it is completed because of an irrecoverable error, mistake, or malfunction.

**ABT**— Automatic bus transfer.

**ac**— Alternate current.

**ACO SWITCHING**— Action cutout switching.

**ADDRESS**— A character or group of characters that defines a particular part of storage, some other data source, or destination. Normally the location of a given storage cell in a memory.

**ADDRESS BUS**— A bus carrying signals that define storage addresses.

**ADP**— Automated data processing.

**ALGORITHM**— The series of steps to solve a problem.

**ALS**— Advanced low-power Schottky.

**Alt**— Alternate.

**ALU**— Arithmetic logic unit.

**amp**— Amplifier.

**ANEW**— Army-Navy Electronic Warfare.

**ANSI**— American National Standards Institute.

**AS**— Advanced Schottky.

**ASCII (American Standard Code for Information Interchange)**— A standard 8-bit code for use with computers and data terminals.

**ASR**— Active status register.

**ASW**— Antisubmarine warfare.

**ASW SYSTEMS**— Antisubmarine warfare systems.

**ASWOC**— Antisubmarine Warfare Operations Center.

**ASWOC/HLT**— Antisubmarine Warfare Operations Center/High-Level Terminal.

**Async**— Asynchronous.

**AZIMUTH**— An angular measurement in the horizontal plane in a clockwise direction.

**BAM**— Binary angular movement or motion.

**BAP**— Buffer address pointer.

**BASIC**— Beginner's All-purpose Symbolic Instruction Code.

**BBC**— MTC CABLE-Buffered block channel/magnetic tape controller cable.

**BBU**— Battery back-up unit.

**BCD**— Binary-coded decimal.

**BCH**— Binary-coded hexadecimal.

**BCO**— Binary-coded octal.

**BCW**— Buffer control word.

**BEARING**— An angular measurement of the direction of an object from a reference direction, such as true north.

**BFW**— Buffer function word.

**BIDFET**— Highvoltage bipolar field-effect transistor.

**BIDMOS**— High voltage DMOS FET.

**BIFET**— Bipolar field-effect transistor.

**BIMOS**— Bipolar metal-oxide semiconductor, combines bipolar and MOS technology.

**BIOS**— Basic input/output system.

**BIPOLAR**— A logical true input represented by an electric voltage polarity opposite to that representing a logical false input.

**BIPOLAR ICs**— Contain parts comparable to discrete bipolar transistors, diodes, capacitors, and resistors. Controlled by current applied to the control terminal (base).

**BIT**— Built-in test.

**BOT**— Beginning-of-tape mark.

**bpi**— Bits per inch.

**bps**— Bits per second.

**BREAKPOINTS**— Location of a point in a program where program executing can be stopped to permit a visual test, printing, or a performance analysis.

**BUS**— One or more conductors used to transmit signals.

**C/D**— Control/data.

**CA**— Computer acknowledge.

**CAP**— Chain address pointer.

**$\overline{\text{CAS}}$** — Column address strobe.

**CD-ROM**— Compact disc read-only memory. A high density optical storage medium.

**CD-I**— Compact disc-interactive.

**CDS**— Combat direction system.

**CHIP**— An integrated circuit on a piece of semi-conductive material.

**CIS**— Computer Interconnection System.

**CLCC**— Ceramic leadless chip carrier.

**CLK**— Clock signal.

**CML**— Current mode logic.

**CMOS**— Complementary metal-oxide semiconductor. Where both NMOS and PMOS transistors are integrated into the same gate circuit.

**CMPs**— Control and maintenance panels.

**CMR**— Code memory register.

**CNP CABLE**— Communication network processor cable.

**COBOL**— COmmon Business Oriented Language.

**COMPUTER WORD**— A word stored in one computer memory location and capable of being treated as a unit. Synonymous with full word, machine word.

**CONTROL BUS**— A bus carrying signals that regulate system operations.

**cpi**— Characters per inch.

**CPU**— Central processing unit.

**CS**— Chip select.

**CSCP**— Computer switching control panel.

**CSTOM**— Combat systems operating manual.

**Ctrl**— Control.

**CTS**— Clear to send.

**CV-ASWM**— Carrier-Antisubmarine Warfare Module.

**D/D**— Digital-to-digital.

**D/A**— Digital-to-analog.

**DAC**— Digital-to-analog converter.

**DATA BUS**— A bus used to communicate data internally and externally to and from a processing unit, or a storage or peripheral device.

**DBC**— Data bus control unit.

**dc**— Direct current.

**DCE**— Data communications equipment.

**DCI**— Defective card index.

**DCU**— Display control unit.

**DD**— Demand digital.

**DDI**— Demand digital interrupt.

**DECODE**— To convert data by reversing the effect of some previous encoding.

**Del**— Delete.

**DEMON**— Diagnostic environment monitor.

**DFCS**— Digital fire control switchboard.

**DIBIT (dipole bit)**— A form of data prerecorded on a disk pack during manufacture. Recorded only on servo tracks of standard disk packs.

**DIC**— Digital input channel.

**DIM/DOM**— Digital input multiplexer/digital output multiplexer.

**DIP**— Dual-in-line package.

**DIP SWITCH**— Dual-in-line switch.

**DMA**— Direct memory access.

**DMI**— Direct memory interface.

**DMOS**— Diffused metal-oxide semiconductor.

**DMTU**— Digital magnetic tape unit.

**DOC**— Digital output channel.

**DOS**— Disk operating system.

**DOT MATRIX**— A matrix of rows and columns of dots used to generate characters or character images composed of dots.

**dpi**— Dots per inch.

**DRAM**— Dynamic random access memory.

**DSR**— Data set ready.

**DTC**— Desktop computer.

**DTE**— Data terminal equipment.

**DTL**— Diode-transistor logic.

**DTR**— Data terminal ready.

**EA**— Electronic attack.

**EAPROM**— Electrically alterable programmable read-only memory.

**ECL**— Emitter-coupled logic.

**EDIT**— To prepare data for a later operation. Editing may include the rearrangement or addition of data, the deletion of unwanted data, or the addition/deletion of format control characters.

**EEPROM**— Electrically erasable programmable read-only memory.

**EF**— External function.

**EFA**— External function acknowledge.

**EFM DATA**— Eight-to-fourteen modulation data. Used with CD-ROM.

**EFR**— External function request.

**EGA VIDEO**— Enhanced graphics adapter video.

**EI**— External interrupt.

**EIA**— Electronics Industry Association.

**EIE**— External interrupt enable.

**EIR**— External interrupt request.

**EL**— Electroluminescent.

**EMI**— Electromagnetic interference.

**ENCODE**— To convert information into coded form.

**EOT**— End-of-tape mark.

**EPROM**— Electrically programmable read-only memory.

**ESA**— Externally specified address.

**ESD**— Electrostatic discharge.

**ESDI**— Enhanced small device interface. A fixed disk interface.

**ESI**— Externally specified index.

**EVEN PARITY**— A characteristic of a group of bits having an even number on binary ONES.

**EW**— Electronic warfare.

**FAT**— File allocation table.

**FDDI**— Fiber Distributed Data Interface.

**FERRITE**— A powdered and compressed ferric oxide material that has both magnetic properties and light resistance to current flow.

**FET**— Field-effect transistor. A voltage operated transistor.

**FF**— Flip-flop.

**FHLT SYSTEMS**— Force High-Level Terminal Systems.

**FIBER OPTICS**— Conductors or optical waveguides that readily pass light.

**FIFO**— First-in, first-out.

**FILO**— First-in, last-out.

**FIRMWARE**— Program instructions stored in read-only memory (ROM) or programmable read-only memory (PROM).

**FIT**— Fault isolation table.

**FLUX DENSITY**— The number of magnetic lines of force passing through a given area.

**FLUX**— In electrical or electromagnetic devices, a general term used to designate collectively all the electric or magnetic lines of force in a region.

**FM**— Frequency modulation.

**FONT**— A family or assortment of characters of a given size and style.

**FORMAT**— The arrangement or layout of data in or on a data medium.

**FORTRAN**— FORmula Translation programming language.

**fpi**— Frames per inch.

**FREQUENCY**— The number of complete cycles per second existing in any form of wave motion, such as the number of cycles per second of an alternating current.

**FTA**— Fast-time analyzer.

**GAIN**— Any increase or decrease in the strength of a signal.

**GPIB**— General-Purpose Interface Bus.

**GRAY CODE**— A binary code in which sequential numbers are represented by binary expressions, each of which differs from the preceding expression in one place only. Synonymous with reflected binary code.

**HARD COPY**— A permanent copy of a display image that is portable and can be read by human beings.

**HARDWARE**— Physical equipment as opposed to programs (software), procedures, rules, and documentation.

**HCMOS**— High-speed complementary metal-oxide semiconductor.

**HEAD**— A device that reads, writes, or erases data on a storage medium.

**HERTZ (Hz)**— A unit of frequency equal to one cycle per second.

**HSP**— High-speed printer.

**Hz**— Hertz.

**I**— Instruction.

**I/O**— Input/output.

**I<sup>2</sup>L**— Integrated injection logic (also IIL).

**IC**— (1) Integrated circuit; (2) Intercomputer channel.

**IC CHIPS**— Integrated circuit chips

**ID**— Input data.

**IDA**— Input data acknowledge.

**IDC**— (1) Integrated disk controller; (2) Insulation displacement connection.

**IDE**— Integrated drive electronics. A fixed disk controller in which the controller is on the fixed disk drive electronics card.

**IDR**— Input data request.

**IEEE**— Institute for Electrical and Electronics Engineers.

**IFF**— Identification friend or foe.

**IIL**— Integrated injection logic (also I<sup>2</sup>L).

**IMPACT PRINTER**— A printer in which printing is the result of mechanical impacts.

**IN PHASE**— The condition that exists when two or more signals of the same frequency pass through their minimum and maximum values of like polarity at the same instant.

**INDICATORS**— Lights that show status of an operation or a selected item.

**INSTRUCTION**— In a microprocessor or digital computer system, the information that tells the computer what to do. One step in a computer program.

**INT**— Interrupt.

**INTELLIGENCE**— In communications, any signal that conveys information.

**INTERFACE**— The interconnecting devices, including wiring, data converters, switchboards, and so forth, that enable equipments to establish communication with other equipments or systems.

**INTERRUPT**— A method of stopping a process and identifying a certain condition exists.

**IOA**— Input/output adapter.

**IOC**— Input/output controller.

**IOCC**— Input/output communications console.

**JFET**— Junction field-effect transistor.

**JMP**— Jump.

**JOTS**— Joint Operation Tactical System.

**K**— Kilobyte.

**KCMX (Keyset Central Multiplexer)**— A data conversion and interface device.

**LAN**— Local-area network.

**LANDS**— Smooth areas of CD-ROM tracks that reflect the laser beam to a photodiode.

**LASER DIODE**— A small laser beam generator employing a semiconductor junction as the active medium.

**LCC**— Leadless chip carrier.

**LED**— Light-emitting diode.

- LIFO**— Last-in, first-out.
- LIGHT EMITTING DIODE (LED)**— A diode that emits visible light when it is forward biased.
- Lin CMOS**— Silicon gate metal-oxide semiconductor field-effect transistor (Trademark of Texas Instruments, Inc.).
- LINE PRINTER**— A printer that prints data one line at a time.
- LP TTL-S**— Low-power transistor-transistor logic-Schottky.
- LRU**— Line replaceable unit.
- LSB**— Least significant bit.
- LSI**— Large scale integration.
- M**— Megabyte.
- MAGNETIC INDUCTION**— Generating a voltage in a circuit by the creation of relative motion between the magnetic field and the circuit.
- MAINTENANCE**— Work done to correct, reduce, or to counteract wear, failure, and damage to equipment.
- MBR**— Master boot record.
- MC**— Master clear.
- MDD**— Micro disk drive.
- MEMORY**— Synonym for storage.
- MFM**— Modified frequency modulation. A system of encoding data on a magnetic disk.
- MICROCONTROLLER**— Synonym for microprocessor.
- MICROELECTRONICS**— The solid-state concept of electronics in which compact semiconductor materials are designed to function as an entire circuit or subassembly rather than as circuit components.
- MICROINSTRUCTION**— An instruction of a microprogram.
- MICROPROCESSOR**— An integrated circuit that accepts coded instructions at one or more terminals or ports, executes the instructions received, and delivers signals describing its progress. The instructions may be entered, integrated, or stored internally.
- MICROPROGRAM**— A sequence of instructions executed by a microprocessor.
- MILITARY STANDARDS (MILSTD)**— Standards of performance for components or equipment that must be met to be acceptable for military systems.
- MIP**— Maintenance index page.
- MIPS**— Million instructions per second.
- MOS ICs**— Contain parts comparable to discrete resistors (NMOS, PMOS, and FETS). Source acts as the emitter; gate acts as the base; and the drain acts as the collector. Controlled by voltage produced on the controlling terminal (gate).
- MOS**— Metal-oxide semiconductor. Describes the structure in which this electric field is created—a metal gate, an oxide layer, and a semiconductor channel.
- MOSFET**— MOS field-effect transistor.
- MPC**— Microprogrammed controller.
- MRC**— Maintenance requirement card.
- MS-DOS**— Microsoft-Disk Operating System.
- MSB**— Most significant bit.
- MSI**— Medium-scale integration.
- MT**— Main timing.
- MTIDC**— Mass termination insulation displacement connection.
- MTT**— Magnetic tape transport.



**MTU**— Magnetic tape unit.

**N-FET**— N-channel field-effect transistor.

**NDRO MEMORY**— Nondestructive readout memory.

**NEETS**— Navy Electricity and Electronics Training Series.

**NIPS**— Naval Intelligence Processing System.

**NLQ**— Near letter quality.

**NMOS**— N-channel metal-oxide semiconductor.

**NONIMPACT PRINTER**— A printing device that does not mechanically impact the paper.

**NONVOLATILE STORAGE**— A storage device whose contents are not lost when power is removed.

**NRZ**— Non-return-to-zero recording method.

**NRZI**— Non-return-to-zero indiscrete.

**NTDS**— Naval Tactical Data System.

**NuBus**— Simple 32-bit backplane bus (standard internal data bus).

**O**— Operand.

**OA**— Output acknowledge.

**OD**— Output data.

**ODA**— Output data acknowledge.

**ODR**— Output data request.

**OFFLINE**— Pertaining to the operation of a functional unit when not under the direct control of a computer.

**ONLINE**— Pertaining to the operation of a functional unit when under the direct control of a computer.

**OP CODE**— Operation code.

**OP PROGRAM**— Operational program.

**OTCIXS**— Officer-in-Tactical-Command Information Exchange System.

**OUTPUT DATA**— Data being delivered or to be delivered from a device or from a computer program.

**OUTPUT CHANNEL**— A channel for conveying information from a device or logic element.

**P/TP**— Power/temperature panel.

**PAGE PRINTER**— A device that prints a whole page as an entity.

**PARITY CHECK**— A check that tests whether the number of binary ONES in an array of binary digits is odd or even.

**PBI**— Pushbutton/indicator.

**PC**— (1) Personal computer/microcomputer; (2) Printed circuit.

**PCB**— Printed circuit board.

**PE**— Phase encoding.

**PEAK VOLTAGE**— The maximum value present in a varying or alternating voltage. This value may be positive or negative.

**PEFT**— Peripheral equipment functional test.

**PERIPHERAL DEVICE**— With respect to a particular processing unit, any equipment that can communicate directly with that unit. Synonymous with peripheral unit.

**PGA**— Pin grid array.

**PHOTODIODE**— A diode that produces current by absorbing light.

**PI**— Power interrupt.

**PITS**— Depressions in a CD-ROM that causes the laser beam to defuse.

**PLCC**— Plastic leadless chip carrier.

**PMOS**— P-channel metal-oxide semiconductor.

**PMS**— Planned Maintenance System.

**POFA**— Programmed Operational Functional Analysis.

**POST**— Power-on self test.

**PPS**— Primary power supply.

**PREVENTIVE MAINTENANCE**— Maintenance performed specifically to prevent faults from occurring.

**PRF**— Pulse-repetition frequency.

**PRINTER**— An output device that produces a durable record of data in the form of a sequence of discrete graphic characters belonging to a predetermined character set.

**PROM**— Programmable read-only memory.

**PRT**— Pulse-repetition time.

**PS**— Power supply.

**PW**— Pulse width.

**QMOS**— Quick metal-oxide semiconductor.

**RAC**— Radar azimuth converter.

**RAN**— Random access memory.

**RC**— Resistance-capacitance.

**RC**— Request control.

**RD**— Read data.

**RDUC**— Receive data from unit computer.

**RECORD**— A set of related data or words treated as a unit.

**$\overline{\text{RAS}}$** — Refresh address strobe.

**REI**— Requester extension interface.

**RFI**— Radio frequency interference.

**RLL**— Run length limited. A fixed disk controller and data encoding system that increases the density of data on the disk.

**ROCU**— Remote operator control unit.

**ROM**— Read-only memory.

**ROTOR**— The rotating member of a synchro that consists of one or more coils of wires wound on a laminated core. Depending on the type of synchro, the rotor functions in a manner similar to the primary or secondary windings of a transformer.

**RS-232**— Recommended standard 232. ANSI standard serial interface.

**RS**— Recommended standard.

**RTC**— Real-time clock.

**RTS**— Request to send.

**RZ**— Return-to-zero recording method.

**S/D**— Synchro-to-digital.

**SCSI**— Small computer systems interface.

**SDC**— Signal data converter.

**SEEK**— To selectively position the access mechanism of a direct access device.

**SEM**— Standard electronic module.

**SEM CHASSIS**— Standard electronic module chassis.

**SERIAL**— An occurrence of events, such as pulses, in a timed sequence rather than simultaneously.

**SERIAL PRINTER**— Synonym for character printer; prints one character at a time.

**SERVO SYSTEM**— An automatic feedback control system that compares a required condition with an actual condition and uses the difference to adjust a control device to achieve the desired condition.

**SIMMs**— Single inline memory modules.

**SIPPs**— Single inline pin package.

**SIPs**— Single inline package.

**SNAP I, II, AND III SYSTEMS**— Shipboard Non-tactical ADP Program I, II and III Systems.

**SOFTWARE**— Programs, procedures, rules, and documentation pertaining to the operation of a computer system.

**SOIC**— Small-outline integrated circuit.

**SOM**— System operating manual.

**SPS**— Standby power supply.

**SRAM**— Static random access memory.

**SSI**— Small-scale integration.

**ST-506**— A fixed disk interface system.

**SYNC**— Synchronous.

**SYNCHRO**— A small motorlike analog device that operates like a variable transformer and is used primarily for the transmission of data among analog equipments and stations.

**TDUC**— Transmit data from unit computer.

**TFCC**— Tactical Flag Command Center.

**TO**—**Transistor-outline.**

**TRISTATE**— Output configuration capable of assuming three output states: high, low, and high impedance (open).

**TTL**— Transistor-transistor logic.

**TTL-H**— Transistor-transistor logic-high-speed.

**TTL-S**— Transistor-transistor logic-Schottky.

**TTLC**— Bipolar transistor-transistor logic series in CMOS technology.

**TTY**— Teletype.

**TVM**— Time volatile memory.

**UART**— Universal asynchronous receiver/transmitter.

**UNIX**— An operating system developed by AT&T (Trademark of AT&T).

**UPS**— Uninterruptible power supply.

**USART**— Universal synchronous/asynchronous receiver transmitter.

**USRT**— Universal synchronous receiver transmitter.

**W**— Ultraviolet.

**UV EPROM**— Ultraviolet-erasable PROM.

**VF**— Vacuum fluorescent.

**VLSI**— Very large-scale integration.

**VMB**— Virtual memory board.

**VOS**— Virtual operating system.

**WD**— Write data.



## APPENDIX II

# REFERENCES USED TO DEVELOP THE TRAMAN

**NOTE:** Although the following references were current when this TRAMAN was published, their continued currency cannot be assured. Therefore, you need to be sure that you are studying the latest revision.

### Chapter 1

*Combat System Technical Operations Manual (CSTOM) for DDG-993 Class (U), Combat System Readiness, NAVSEA S9DDG-7C-CSM-050/(U), DDG-993, CL, Vol 3, Part 1, Naval Sea Systems Command, Washington, D. C., 1982.*

*Computer Science Source Book, The McGraw-Hill Science Reference Series, McGraw-Hill, New York, N.Y., 1988.*

*Data Processing Technician 2, NAVEDTRA 12511, Naval Education and Training Program Management Support Activity, Pensacola, Fla., 1991.*

*Data Systems Technician 3 & 2, NAVEDTRA 10231, Naval Education and Training Program Management Support Activity, Pensacola, Fla., 1987.*

*Department of the Navy Information and Personnel Security Program Regulation, OPNAVINST 5510.1, Chief of Naval Operations, Washington, D. C., 1991.*

*Department of the Navy Security Program for Automatic Data Processing Systems, OPNAVINST 5239.1, Chief Naval Operations, Washington, D. C., 1985.*

*Electronics Installation and Maintenance Books, Electromagnetic Interference Reduction, NAVSHIPS 0967-LP-000-0150, Naval Sea Systems Command, Washington, D. C., 1980.*

*Electromagnetic Radiation Hazards (U), (Hazards to Ordnance, [U]) NAVSEA OP 3565, NAVAIR 16-1-529/NAVELEX 0967-LP-624-6010, Vol 1, Naval Sea Systems Command, Washington, D. C., 1979.*

*Electromagnetic Radiation Hazards (U), (Hazards to Ordnance, [U]) NAVSEA OP 3565, NAVAIR 16-1-529/NAVELEX 0967-LP-624-6010, Vol 2, Naval Sea Systems Command, Washington, D. C., 1989.*

*Electrons Technician, 1 & C, NAVEDTRA 10292-F, Naval Education and Training Program Management Support Activity, Pensacola, Fla., 1987.*

*Handbook of Shipboard Electromagnetic Shielding Practices, S9407-AB-HBK-010*, Naval Sea Systems Command, Washington, D. C., 1989.

Levine, Sy, *Integrated Circuits and Computer Concepts*, Electro-Horizons Publications, Plainview, N.Y., 1989.

*Maintenance Manual for Computer Set AN/UYK-7(V)*, Vol 1, SE610-AW-MMA-010, Naval Sea Systems Command, Washington, D. C., 1990.

Navy Electricity and Electronics Training Series, *Introduction to Digital Computers*, Module 22, NAVEDTRA B72-22-00-88, Naval Education and Training Program Management Support Activity, Pensacola, Fla., 1988.

*Shipboard Bonding, Grounding, and Other Techniques for Electromagnetic Compatibility and Safety, MIL-STD-1310E(NAVY)*, Naval Sea Systems Command, Washington, D. C., 1987.

*System Coordinator Manual, AN/UYK-62(V), SE610-GV-OP1-610/UYK-62(V)*, Naval Sea Systems Command, Washington, D. C., 1985.

Technical Manual, *Design Data for Data Processing Set, AN/UYK-44V, SE610-PV-MMV-010*, Naval Sea Systems Command, Washington, D. C., 1986.

Technical Manual, *Operation and Maintenance Instructions for Computer Set AN/UYK-43/V, SE610-NV-MMO-010/UYK-43(V)*, Naval Sea Systems Command, Washington, D. C., 1990.

Walker, Roger S., *Understanding Computer Science*, Howard W. Sams and Co., Indianapolis, Ind., 1984.

## **Chapter 2**

Baker, Charles H., John C. Bellamy, John L. Fike, George E. Friend, *Understanding Data Communications*, Howard W. Sams and Co., Indianapolis, Ind., 1984.

*Connectors and Jacketed Cable, Electric, Selection Standard for Shipboard Use, MIL-STD-1683B*, Naval Sea Systems Command, Washington, D. C., 1987.

Derfler, Frank J., Jr., "Connectivity," 2d ed, *PC Magazine*, Ziff Davis Press, Emeryville, Calif., 1992.

*Digital Time Division Command/Response Multiplex Data Base, MIL-STD-1553B*, Naval Sea Systems Command, Washington, D. C., 1986.

*Electronical Connectors, Plug-In Sockets and Associated Hardware Selections and Use of, MIL-STD-1353B*, Naval Sea Systems Command, Washington, D. C., 1980.

Electronics Installation and Maintenance Books, *Installation Standards, NAVSEA 0967-LP-000-0110*, Naval Sea Systems Command, Washington, D. C., 1977.

- General Requirements for Electronic Equipment Specifications*, MIL-STD-2036, Naval Sea Systems Command, Washington, D. C., 1991.
- Encyclopedia of Electronics*, Stan Gibilisco and Neil Sclater, Eds., 2d ed., Tab Books, Blue Ridge Summit, Penn., 1990.
- Hecht, Jeff, *Understanding Fiber Optics*, Howard W. Sams and Co., Indianapolis, Ind., 1987.
- Input/Output Interfaces, Standard DigitalData, Navy Systems*, MIL-STD 1397B (Navy), Naval Sea Systems Command, Washington, D. C., 1989.
- Maintenance Manual for Computer Set AN/UYK-7(V)*, Vol 1, SE610-AW-MMA-010, Naval Sea Systems Command, Washington, D. C., 1990.
- Maintenance Manual for Computer Set AN/UYK-7(V)*, Vol 2, SE610-AW-MMA-020, Naval Sea Systems Command, Washington, D. C., 1990.
- Microcomputer Software and Hardware Guidelines*, MIL-HDBK-805(OM), Naval Sea Systems Command, Washington, D. C., 1990.
- Mueller, Scott, *Upgrading and Repairing PCs*, Que Corporation, Carmel, Ind., 1988.
- Naval Ships Technical Manual (NSTM), S9086-RQ-STM-000, Chapter 510, *Ventilating, Heating, Cooling, and Air Conditioning Systems for Surface Ships*, Naval Sea Systems Command, Washington, D. C., 1977.
- Naval Ships Technical Manual (NSTM), S9086-SD-STM-000, Chapter 532, *Liquid Cooling Systems for Electronic Equipment*, Naval Sea Systems Command, Washington, D. C., 1978.
- Naval Shore Electronics Criteria, *Digital Computer Systems*, Vol 1 of 2, SPAWAR 0280-LP-900-9000, Naval Electronics Systems Command, Washington, D. C., 1972.
- Naval Shore Electronics Criteria, *Digital Computer Systems*, Vol 2 of 2, SPAWAR 0280-LP-901-3000, Naval Electronics Systems Command, Washington, D. C., 1972.
- Naval Shore Electronics Criteria, *Naval Security Group Elements Design and Performance*, SPAWAR 0280-LP-900-6000, Space and Naval Warfare System Command, Washington, D. C., 1973.
- Naval Shore Electronics Criteria, SPAWAR 0280-LP-900-8000, *Installation Standard and Practices*, Space and Naval Warfare System Command, Washington, D. C., 1977.
- Navy Electricity and Electronics Training Series, *Introduction to Circuit Protection, Control, and Measurement*, Module 3, NAVEDTRA 172-03-00-85, Naval Education and Training Program Development Center, Pensacola, Fla., 1985.

Navy Electricity and Electronics Training Series, *Introduction to Electrical Conductors, Wiring Techniques, and Schematic Reading*, Module 4, NAVEDTRA 172-04-00-85, Naval Education and Training Program Development Center, Pensacola, Fla., 1984.

Navy Electricity and Electronics Training Series, *Technician's Handbook*, Module 19, NAVEDTRA 172-19-00-85, Naval Education and Training Program Development Center, Pensacola, Fla., 1985.

Navy Electricity and Electronics Training Series, *Introduction to Fiber Optics*, Module 24, NAVEDTRA B72-24-00-92, Naval Education and Training Program Management Support Activity, Pensacola, Fla., 1992.

*Organizational Level Maintenance Manual*, Vol 1, AN/UYK-62(V), SE610-GV-MMO-010/UYK-62(V), Naval Sea Systems Command, Washington, D. C., 1989.

*Organizational Level Maintenance Manual*, Vol 2, AN/UYK-62(V), SE610-GV-MMO-020/UYK-62(V), Naval Sea Systems Command, Washington, D. C., 1989.

*Servicing Tools for Electric Contacts and Connections, Selection and Use of, MIL-STD-1646*, Naval Sea Systems Command, Washington, D. C., 1983.

*System Coordinator's Manual*, AN/UYK-62(V), SE610-GV-OP1-610/UYK-62(V), Naval Sea Systems Command, Washington, D. C., 1985.

Technical Manual, *Design Data for Data Processing Set*, AN/UYK-44V, SE610-PV-MMV-010, Naval Sea Systems Command, Washington, D. C., 1986.

Technical Manual, *Operation and Maintenance Instructions for Computer Set AN/UYK-43/V*, SE610-NV-MMO-010/UYK-43(V), Naval Sea Systems Command, Washington, D. C., 1990.

Technical Manual, *Operation and Maintenance with Parts List, Data Processing Set*, AN/UYK-20(V), Vol 1, Naval Sea Systems Command, Washington, D. C., 1990.

Z-248 *Maintenance*, (Part 1), Navy Regional Data Automation Center, Norfolk, Va 1989.

2248 *Systems Administrator*, Zenith Data Systems Corporation, St. Joseph, Mich., 1988.

### **Chapter 3**

*Data Processing Technician 2*, NAVEDTRA 12511, Naval Education and Training Program Management Support Activity, Pensacola, Fla., 1991.

*Maintenance Manual for Computer Set AN/UYK7(V)*, Vol 1, SE610-AW-MMA-010, Naval Sea Systems Command, Washington, D. C., 1990.



*Maintenance Manual for Computer Set AN/UYK-7(V), "Circuit Diagrams,"*  
Vol 3, Part 1, SE610-AW-MMA-030, Naval Sea Systems Command,  
Washington, D. C., 1990.

*Maintenance Manual for Computer Set AN/UYK-7(V), "Circuit Diagrams,"*  
Vol 3, Part 2, SE610-AW-MMA-040, Naval Sea Systems Command,  
Washington, D. C., 1990.

*Organizational Level Maintenance Manual, Vol 1, AN/UYK-62(V), SE610-  
GV-MMO-010/UYK-62(V),* Naval Sea Systems Command, Washington,  
D. C., 1989.

*Organizational Level Maintenance Manual, Vol 2, AN/UYK-62(V), SE610-  
GV-MMO-020/UYK-62(V),* Naval Sea Systems Command, Washington,  
D. C., 1989.

*System Coordinator's Manual, AN/UYK-62(V), SE610-GV-OPI-610/UYK-  
62(V),* Naval Sea Systems Command, Washington, D. C., 1985.

*Technical Manual, Design Data for Data Processing Set, AN/UYK-44V,  
SE610-PV-MMV-010,* Naval Sea Systems Command, Washington, D. C.,  
1987.

*Technical Manual, Operation and Maintenance Instructions for Computer Set  
AN/UYK-43/V, SE610-NV-MMO-010/UYK-43(V),* Naval Sea Systems  
Command, Washington, D. C., 1990.

#### **Chapter 4**

Cannon, Don L., Gerald Luecke, *Understanding Microprocessors*, Howard W.  
Sams and Co., Indianapolis, Ind., 1984.

Electronics Installation and Maintenance Books, *Test Methods and Practices*,  
NAVSEA 0967-LP-000-130, Naval Sea Systems Command, Washington,  
D. C., 1980.

*IEEE Standard for Logic Circuit Diagram*, ANSI/IEEE Std. 991-1986, The  
Institute of Electrical and Electronics Engineers, New York, N.Y., 1986.

*IEEE Standard Graphic Symbols for Logic Functions*, ANSI/IEEE Std  
91-1984, Institute of Electrical and Electronics Engineers, Inc., New York,  
N.Y., 1984.

*Interface Standards for Shipboard Systems, Electrical Power Alternating Current  
(Metric)*, Section 300A, MIL-STD-1399 (Navy), Naval Sea Systems  
Command, Washington, D. C., 1992.

Lancaster, Don, *TTL Cookbook*, Howard W. Sams and Co., Indianapolis,  
Ind., 1974.

Levine, Sy, *Integrated Circuits and Computer Concepts*, Electro-Horizons  
Publications, Plainview, N.Y., 1989.

*List of Standard Microcircuits, MIL-STD-1562C*, Naval Sea Systems Command, Washington, D. C., 1981.

*Maintenance Manual for Computer Set AN/UYK-7(V), "Circuit Diagrams,"* Vol 3, Part 1, SE610-AW-MMA-030, Naval Sea Systems Command, Washington, D. C., 1990.

*Maintenance Manual for Computer Set AN/UYK-7(V), "Circuit Diagrams,"* Vol 3, Part 2, SE610-AW-MMA-040, Naval Sea Systems Command, Washington, D. C., 1990.

McWhorter, Gene, *Understanding Digital Electronics*, Howard W. Sams and Co., Indianapolis, Ind., 1984.

*Microcircuits, General Specifications For Military Specification, MIL-M-38510H*, Rome Air Development Center, Griffis Air Force Base, N.Y., 1990.

Navy Electricity and Electronics Training Series, *Introduction to Generators and Motors*, Module S, NAVEDTRA 172-05-00-79, Naval Education and Training Program Development Center, Pensacola, Fla., 1979.

Navy Electricity and Electronics Training Series, *Introduction to Electronic Emission, Tubes, and Power Supplies*, Module 6, NAVEDTRA B72-06-00-92, Naval Education and Training Program Management Support Activity, Pensacola, Fla., 1992.

Navy Electricity and Electronics Training Series, *Introduction to Solid-State Devices and Power Supplies*, Module 7, NAVEDTRA B72-07-00-92, Naval Education and Training Program Management Support Activity, Pensacola, Fla., 1992.

Navy Electricity and Electronics Training Series, *Introduction to Amplifiers*, Module 8, NAVEDTRA 172-08-00-82, Naval Education and Training Program Development Center, Pensacola, Fla., 1982.

Navy Electricity and Electronics Training Series, *Introduction to Wave-Generation and Wave-Shaping Circuits*, Module 9, NAVEDTRA 172-09-00-83, Naval Education and Training Program Development Center, Pensacola, Fla., 1983.

Navy Electricity and Electronics Training Series, *Introduction to Number Systems and Logic Circuits*, Module 13, NAVEDTRA B72-13-00-86, Naval Education and Training Program Management Support Activity, Pensacola, Fla., 1986.

Navy Electricity and Electronics Training Series, *Introduction to Microelectronics*, Module 14, NAVEDTRA 172-14-00-84, Naval Education and Training Program Development Center, Pensacola, Fla., 1984.

Navy Electricity and Electronics Training Series, *Technician's Handbook*, Module 19, NAVEDTRA 172-19-00-85, Naval Education and Training Program Development Center, Pensacola, Fla., 1985.

Seidman Arthur and Ivan Flores, eds., *The Handbook of Computers and Computing*, Van Nostrand Reinhold Co., New York, N.Y., 1984.

Technical Manual, *Operation and Maintenance Instructions for Computer Set AN/UYK-43(V), SE610-NV-MMO-010/UYK-43(V)*, Naval Sea Systems Command, Washington, D. C., 1990.

Tolkheim, Roger L., *Digital Electronics*, 2d ed, McGraw-Hill, New York, N.Y., 1984.

*Understanding Advanced Solid State Electronics*, Howard W. Sams and Co., Indianapolis, Ind., 1986.

*Understanding Solid State Electronics*, 4th ed, Howard W. Sams and Co., Indianapolis, Ind., 1984.

Walker, Roger S., *Understanding Computer Science*, Howard W. Sams and Co., Indianapolis, Ind., 1984.

Z-248 *Maintenance*, (Part 1), Navy Regional Data Automation Center, Norfolk, Va., 1989.

Z248 *Systems Administrator*, Zenith Data Systems Corporation, St. Joseph, Mich., 1988.

## **Chapter 5**

Cannon, Don L., Gerald Luecke, *Understanding Microprocessors*, Howard W. Sams and Co., Indianapolis, Ind., 1984.

Chips, "Cache Memory, The Key to High Performance Personal Computers," Department of the Navy, Washington, D. C., Jan 1992.

*Computer Science Source Book*, The McGraw-Hill Science Reference Series, McGraw-Hill, New York, N.Y., 1988.

*Encyclopedia of Electrons*, Stan Gibilisco and Neil Sclater, Eds., 2d ed., Tab Books, Blue Ridge Summit, Penn., 1990.

Fink, Donald G., Donald Christiansen, eds., *Electronics Engineers' Handbook*, 3d ed McGraw-Hill, New York, N.Y., 1989.

Levine, Sy, *Integrated Circuits and Computer Concepts*, Electro-Horizons Publications, Plainview, N.Y., 1989.

*Maintenance Manual for Computer Set AN/UYK-7(V)*, Vol 1, SE610-AW-MMA-010, Naval Sea Systems Command, Washington, D. C., 1990.

*Maintenance Manual for Computer Set AN/UYK-7(V)*, "Circuit Diagrams," Vol 3, Part 1, SE610-AW-MMA-030, Naval Sea Systems Command, Washington, D. C., 1990.

*Maintenance Manual for Computer Set AN/UYK-7(V)*, "Circuit Diagrams," Vol 3, Part 2, SE610-AW-MMA-040, Naval Sea Systems Command, Washington, D. C., 1990.

- McWhorter, Gene, *Understanding Digital Electronics*, Howard W. Sams and Co., Indianapolis, Ind., 1984.
- Military Standard, *General Requirements for Electronic Equipment Specifications*, MIL-STD-2036, Naval Sea Systems Command, Washington, D. C., 1991.
- Minasi, Mark, *The Complete PC Upgrade and Maintenance Guide*, SYBEX, Inc., Alameda, Calif., 1991.
- Mueller, Scott, *Upgrading and Repairing PCs*, Que Corporation, Carmel, Ind., 1988.
- Navy Electricity and Electronics Training Series, *Introduction to Solid-State Devices and Power Supplies*, Module 7, NAVEDTRA B72-07-00-92, Naval Education and Training Program Management Support Activity, Pensacola, Fla., 1992.
- Navy Electricity and Electronics Training Series, *Introduction to Amplifiers*, Module 8, NAVEDTRA 172-08-00-82, Naval Education and Training Program Development Center, Pensacola, Fla., 1982.
- Navy Electricity and Electronics Training Series, *Introduction to Wave-Generation and Wave-Shaping Circuits*, Module 9, NAVEDTRA 172-09-00-83, Naval Education and Training Program Development Center, Pensacola, Fla., 1983.
- Navy Electricity and Electronics Training Series, *Introduction to Number Systems and Logic Circuits*, Module 13, NAVEDTRA B72-13-00-86, Naval Education and Training Program Management Support Activity, Pensacola, Fla., 1986.
- Navy Electricity and Electronics Training Series, *Introduction to Micro-electronics*, Module 14, NAVEDTRA 172-14-00-84, Naval Education and Training Program Development Center, Pensacola, Fla., 1984.
- Navy Electricity and Electronics Training Series, *Technician's Handbook*, Module 19, NAVEDTRA 172-19-00-85, Naval Education and Training Program Development Center, Pensacola, Fla., 1985.
- Navy Electricity and Electronics Training Series, *Introduction to Digital Computers*, Module 22, NAVEDTRA B72-22-00-88, Naval Education and Training Program Management Support Activity, Pensacola, Fla., 1988.
- Organizational Level Maintenance Manual*, Vol 1, AN/UYK-62(V), SE610-GV-MMO-010/UYK-62(V), Naval Sea Systems Command, Washington, D. C., 1989.
- Seidman Arthur and Ivan Flores, eds., *The Handbook of Computers and Computing*, Van Nostrand Reinhold Co., New York, N.Y., 1984.
- Technical Manual, *Design Data for Data Processing Set*, AN/UYK-44V, SE610-PV-MMV-010, Naval Sea Systems Command, Washington, D. C., 1987.

- Technical Manual, *Operation and Maintenance Instructions for Computer Set AN/UYK-43(V), SE610-NV-MMO-010/UYK-43(V)*, Naval Sea Systems Command, Washington, D. C., 1990.
- Technical Manual, *Operation and Maintenance with Parts List, Data Processing Set, AN/UYK-20(V)*, Vol 1, Naval Sea Systems Command, Washington, D. C., 1990.
- Understanding Computers, *Computer Basics*, Alexandria, Va., 1985.
- Walker, Roger S., *Understanding Computer Science*, Howard W. Sams and Co., Indianapolis, Ind., 1984.
- Z-248 *Maintenance*, (Part 1), Navy Regional Data Automation Center, Norfolk, Va 1989.
- Z248 *Systems Administrator*, Zenith Data Systems Corporation, St. Joseph, Mich., 1988.
- Chapter 6**
- Cannon, Don L., Gerald Luecke, *Understanding Microprocessors*, Howard W. Sams and Co., Indianapolis, Ind., 1984.
- Computer Science Source Book*, The McGraw-Hill Science Reference Series, McGraw-Hill, New York, N.Y., 1988.
- Data Systems Technician 3 & 2*, NAVEDTRA 10231, Naval Education and Training Program Management Support Activity, Pensacola, Fla., 1987.
- Fink, Donald G., Donald Christiansen, eds., *Electrons Engineers' Handbook*, 3d ed McGraw Hill, New York, N.Y., 1989.
- Gibilisco, Stan, Neil Sclater, Eds., *Encyclopedia of Electrons*, 2d ed Tab Books, Blue Ridge Summit, Penn., 1990.
- Levine, Sy, *Integrated Circuits and Computer Concepts*, Electro-Horizons Publications, Plainview, N.Y., 1989.
- Maintenance Manual for Computer Set AN/UYK-7(V)*, Vol 1, SE610-AW-MMA-010, Naval Sea Systems Command, Washington, D. C., 1990.
- Maintenance Manual for Computer Set AN/UYK-7(V)*, "Circuit Diagrams," Vol 3, Part 1, SE610-AW-MMA-030, Naval Sea Systems Command, Washington, D. C., 1990.
- Maintenance Manual for Computer Set AN/UYK-7(V)*, "Circuit Diagrams," Vol 3, Part 2, SE610-AW-MMA-040, Naval Sea Systems Command, Washington, D. C., 1990.
- McWhorter, Gene, *Understanding Digital Electronics*, Howard W. Sams and Co., Indianapolis, Ind., 1984.
- Microcomputer Software and Hardware Guidelines*, MIL-HDBK-805(OM), Naval Sea Systems Command, Washington, D. C., 1990.

- Minasi, Mark, *The Complete PC Upgrade and Maintenance Guide*, SYBEX, Inc., Alameda, Calif., 1991.
- Minasi, Mark, *The Complete PC Upgrade and Maintenance Guide*, Fourth Edition, SYBEX, Inc., Alameda, Calif., 1995.
- Mueller, Scott, *Upgrading and Repairing PCs*, Que Corporation, Carmel, Ind., 1988.
- Mueller, Scott, *Upgrading and Repairing PCs*, Fifth Edition, Que Corporation, Carmel, Ind., 1995.
- Navy Electricity and Electronics Training Series, *Introduction to Solid-State Devices and Power Supplies*, Module 7, NAVEDTRA B72-07-00-92, Naval Education and Training Program Management Support Activity, Pensacola, Fla., 1992.
- Navy Electricity and Electronics Training Series, *Introduction to Amplifiers*, Module 8, NAVEDTRA 172-08-00-82, Naval Education and Training Program Development Center, Pensacola, Fla., 1982.
- Navy Electricity and Electronics Training Series, *Introduction to Wave-Generation and Wave-Shaping Circuits*, Module 9, NAVEDTRA 172-09-00-83, Naval Education and Training Program Development Center, Pensacola, Fla., 1983.
- Navy Electricity and Electronics Training Series, *Introduction to Number Systems and Logic Circuits*, Module 13, NAVEDTRA B72-13-00-86, Naval Education and Training Program Management Support Activity, Pensacola, Fla., 1986.
- Navy Electricity and Electronics Training Series, *Introduction to Microelectronics*, Module 14, NAVEDTRA 172-14-00-84, Naval Education and Training Program Development Center, Pensacola, Fla., 1984.
- Navy Electricity and Electronics Training Series, *Technician's Handbook*, Module 19, NAVEDTRA 172-19-00-85, Naval Education and Training Program Development Center, Pensacola, Fla., 1985.
- Organizational Level Maintenance Manual*, Vol 1, AN/UYK-62(V), SE610-GV-MMO-010/UYK-62(V), Naval Sea Systems Command, Washington, D. C., 1989.
- Seidman Arthur and Ivan Flores, eds., *The Handbook of Computers and Computing*, Van Nostrand Reinhold Co., New York, N.Y., 1984.
- Technical Manual, *Design Data for Data Processing Set*, AN/UYK-44V, SE610-PV-MMV-010, Naval Sea Systems Command, Washington, D. C., 1987.
- Technical Manual, *Operation and Maintenance Instructions for Computer Set* AN/UYX-43/V, SE610-NV-MMO-010/UYK-43(V), Naval Sea Systems Command, Washington, D. C., 1990.

Technical Manual, *Operation and Maintenance with Parts List, Data Processing Set, AN/UYK-20(V)*, Vol 1, Naval Sea Systems Command, Washington, D. C., 1990.

Walker, Roger S., *Understanding Computer Science*, Howard W. Sams and Co., Indianapolis, Ind., 1984.

Z-248 *Maintenance*, (Part 1), Navy Regional Data Automation Center, Norfolk, Va 1989.

Z248 *Systems Administrator*, Zenith Data Systems Corporation, St. Joseph, Mich., 1988.

## **Chapter 7**

Baker, Charles H., John C. Bellamy, John L. Fike, George E. Friend, *Understanding Data Communications*, Howard W. Sams and Co., 1984.

Cannon, Don L., Gerald Luecke, *Understanding Microprocessors*, Howard W. Sams and Co., Indianapolis, Ind., 1984.

*Computer Science Source Book*, The McGraw-Hill Science Reference Series, McGraw-Hill, New York, N.Y., 1988.

Derfler, Frank J., Jr., "Connectivity," 2d ed, *PC Magazine*, Ziff Davis Press, Emeryville, Calif., 1992.

*Digital Time Division Command/Response Multiplex Data Base*, MIL-STD-1553B, Naval Sea Systems Command, Washington, D. C., 1978.

*Electronical Connection, Plug-In Sockets and Associated Hardware Selections and Use of*, MIL-STD-1353B, Naval Sea Systems Command, Washington, D. C., 1980.

*Encyclopedia of Electronics*, Stan Gibilisco and Neil Sclater, Eds., 2d ed Tab Books, Blue Ridge Summit, Penn., 1990.

Fink, Donald G., Donald Christiansen, eds., *Electronics Engineers' Handbook*, 3d ed., McGraw-Hill, New York, N.Y., 1989.

*General Requirements for Electronic Equipment Specifications*, MIL-STD-2036, Naval Sea Systems Command, Washington, D. C., 1991.

Hecht, Jeff, *Understanding Fiber Optics*, Howard W. Sams and Co., Indianapolis, Ind., 1987.

*Input/Output Interfaces, Standard Digital Data, Navy Systems*, MIL-STD 1397B (Navy), Naval Sea Systems Command, Washington, D. C., 1989.

Levine, Sy, *Integrated Circuits and Computer Concepts*, Electro-Horizons Publications, Plainview, N.Y., 1989.

*Maintenance Manual for Computer Set AN/UYK-7(V)*, Vol 1, SE610-AW-MMA-010, Naval Sea Systems Command, Washington, D. C., 1990.

*Maintenance Manual for Computer Set AN/UYK-7(V), "Circuit Diagrams,"*  
Vol 3, Part 1, SE610-AW-MMA-030, Naval Sea Systems Command,  
Washington, D. C., 1990.

*Maintenance Manual for Computer Set AN/UYK-7(V), "Circuit Diagrams,"*  
Vol 3, Part 2, SE610-AW-MMA-040, Naval Sea Systems Command,  
Washington, D. C., 1990.

McWhorter, Gene, *Understanding Digital Electronics*, Howard W. Sams and  
Co., Indianapolis, Ind., 1984.

*Microcomputer Software and Hardware Guidelines*, MIL-HDBK-805(OM),  
Naval Sea Systems Command, Washington, D. C., 1990.

Minasi, Mark, *The Complete PC Upgrade and Maintenance Guide*, SYBEX,  
Inc., Alameda, Calif., 1991.

Minasi, Mark, *The Complete PC Upgrade and Maintenance Guide*, Fourth  
Edition, SYBEX, Inc., Alameda, Calif., 1995.

Mueller, Scott, *Upgrading and Repairing PCs*, Que Corporation, Carmel, Ind.,  
1988.

Mueller, Scott, *Upgrading and Repairing PCs*, Fifth Edition, Que Corporation,  
Carmel, Ind., 1995.

Navy Electricity and Electronics Training Series, *Introduction to Solid-  
State Devices and Power Supplies*, Module 7, NAVEDTRA B72-07-00-92,  
Naval Education and Training Program Management Support Activity,  
Pensacola, Fla., 1992.

Navy Electricity and Electronics Training Series, *Introduction to Amplifiers*,  
Module 8, NAVEDTRA 172-08-00-82, Naval Education and Training  
Program Development Center, Pensacola, Fla., 1982.

Navy Electricity and Electronics Training Series, *Introduction to Wave-  
Generation and Wave-Shaping Circuits*, Module 9, NAVEDTRA  
172-09-00-83, Naval Education and Training Program Development  
Center, Pensacola, Fla., 1983.

Navy Electricity and Electronics Training Series, *Introduction to Number  
Systems and Logic Circuits*, Module 13, NAVEDTRA B72-13-00-86,  
Naval Education and Training Program Management Support Activity,  
Pensacola, Fla., 1986.

Navy Electricity and Electronics Training Series, *Introduction to Micro-  
electronics*, Module 14, NAVEDTRA 172-14-00-84, Naval Education and  
Training Program Development Center, Pensacola, Fla., 1984.

Navy Electricity and Electronics Training Series, *Technician's Handbook*,  
Module 19, NAVEDTRA 172-19-00-85, Naval Education and Training  
Program Development Center, Pensacola, Fla., 1985.



Navy Electricity and Electronics Training Series, *Introduction to Fiber Optics*, Module 24, NAVEDTRA B72-24-00-92, Naval Education and Training Program Management Support Activity, Pensacola, Fla., 1992.

*Organizational Level Maintenance Manual*, Vol 1, AN/UYK-62(V), SE610-GV-MMO-010/UYK-62(V), Naval Sea Systems Command, Washington, D. C., 1989.

Seidman Arthur and Ivan Flores, eds., *The Handbook of Computers and Computing*, Van Nostrand Reinhold Co., New York, N.Y., 1984.

Technical Manual, *Design Data for Data Processing Set*, AN/UYK-44V, SE610-PV-MMV-010, Naval Sea Systems Command, Washington, D. C., 1987.

Technical Manual, *Operation and Maintenance Instructions for Computer Set AN/UYK-43/V*, SE610-NV-MMO-010/UYK-43(V), Naval Sea Systems Command, Washington, D. C., 1990.

Technical Manual, *Operation and Maintenance with Parts List, Data Processing Set*, AN/UYK-20(V), Vol 1, Naval Sea Systems Command, Washington, D. C., 1990.

*Understanding Advanced Solid State Electronics*, Howard W. Sams and Co., Indianapolis, Ind., 1986.

*Understanding Solid State Electronics*, Howard W. Sams and Co., Indianapolis, Ind., 1984.

Walker, Roger S., *Understanding Computer Science*, Howard W. Sams and Co., Indianapolis, Ind., 1984.

*WHISPERNET User's Guide*, Document No. 10133538, Rev. 1, Fiber Corn, Inc., Roanoke, Va., 1978.

*Z-248 Maintenance*, (Part 1), Navy Regional Data Automation Center, Norfolk, Va 1989.

*Z248 Systems Administrator*, Zenith Data Systems Corporation, St. Joseph, Mich., 1988.

## **Chapter 8**

Cannon, Don L., Gerald Luecke, *Understanding Microprocessors*, Howard W. Sams and Co., Indianapolis, Ind., 1984.

*Computer Science Source Book*, The McGraw-Hill Science Reference Series, McGraw-Hill, New York, N.Y., 1988.

*Data Processing Technician 2*, NAVEDTRA 12511, Naval Education and Training Program Management Support Activity, Pensacola, Fla., 1991.

*Maintenance Manual for Computer Set AN/UYK-7(V)*, Vol 1, SE610-AW-MMA-010, Naval Sea Systems Command, Washington, D. C., 1990.

*Maintenance Manual for Computer Set AN/UYK-7(V), "Circuit Diagrams,"*  
Vol 3, Part 1, SE610-AW-MMA-030, Naval Sea Systems Command,  
Washington, D. C., 1990.

*Maintenance Manual for Computer Set AN/UYK-7(V), "Circuit Diagrams,"*  
Vol 3, Part 2, SE610-AW-MMA-040, Naval Sea Systems Command,  
Washington, D. C., 1990.

*Microcomputer Software and Hardware Guidelines,* MIL-HDBK-805(OM),  
Naval Sea Systems Command, Washington, D. C., 1990.

*Operating Procedures for Computer Set AN/UYK-7(V) Diagnostic Programs,*  
Part 4, NAVSEA 0967-LP-024-5454, Naval Sea Systems Command,  
Washington, D. C., 1989.

Navy Electricity and Electronics Training Series, *Introduction to Amplifiers,*  
Module 8, NAVEDTRA 172-08-00-82, Naval Education and Training  
Program Development Center, Pensacola, Fla., 1982.

Navy Electricity and Electronics Training Series, *Introduction to Wave-  
Generation and Wave-Shaping Circuits,* Module 9, NAVEDTRA  
172-09-00-83, Naval Education and Training Program Development  
Center, Pensacola, Fla., 1983.

Navy Electricity and Electronics Training Series, *Introduction to Number  
Systems and Logic Circuits,* Module 13, NAVEDTRA B72-13-00-86,  
Naval Education and Training Program Management Support Activity,  
Pensacola, Fla., 1986.

*Operating Procedures for Computer Set AN/UYK-7(V) Diagnostic Programs,*  
Parts 1-3, NAVSEA 0967-LP-024-5454, Naval Sea Systems Command,  
Washington, D. C., 1989.

*Organizational Level Maintenance Manual,* Vol 1, AN/UYK-62(V), SE610-  
GV-MMO-020/UYK-62(V), Naval Sea Systems Command, Washington,  
D. C., 1989.

Seidman Arthur and Ivan Flores, eds., *The Handbook of Computers and  
Computing,* Van Nostrand Reinhold Co., New York, N.Y., 1984.

Technical Manual, *Design Data for Data Processing Set, AN/UYK-44V,*  
*SE610-PV-MMV-010,* Naval Sea Systems Command, Washington, D. C.,  
1987.

Technical Manual, *Operation and Maintenance Instructions for Computer Set  
AN/UYK-43/V,* SE610-NV-MMO-010/UYK-43(V), Naval Sea Systems  
Command, Washington, D. C., 1990.

*Technical Summary Handbook, AN/UYK 7,* NAVSEA 0967-LP-024-5800,  
Naval Sea Systems Command, Washington, D. C., 1986

UNISYS, AN/UYK-43, *Abbreviated Reference Manual,* Naval Sea Systems  
Command, Washington, D. C., 1986.

Walker, Roger S., *Understanding Computer Science*, Howard W. Sams and Co., Indianapolis, Ind., 1984.

Z-248 *Maintenance*, (Part 1), Navy Regional Data Automation Center, Norfolk, Va 1989.

## **Chapter 9**

*Data Processing Technician Third Class*, NAVEDTRA 10263, Naval Education and Training Program Support Activity, Pensacola, Fla., 1987.

Navy Electricity and Electronics Training Series, *Magnetic Recording* Module 23, NAVEDTRA B72-23-00-91, Naval Education and Training Program Management Support Activity, Pensacola, Fla., 1991.

*Technical Manual for Type 1840 Modified Magnetic Tape Subsystem, RD-358(V)/UYK*, NAVSEA 0967-LP-562-8020, Naval Sea Systems Command, Washington, D. C., 1983.

## **Chapter 10**

Minasi, Mark, *The Complete PC Upgrade and Maintenance Guide*, SYBEX Inc., Alameda, Calif., 1991.

Minasi, Mark, *The Complete PC Upgrade and Maintenance Guide*, Fourth Edition, SYBEX, Inc., Alameda, Calif., 1995.

Minasi, Mark, *The Hard Disk Survival Guide*, SYBEX Inc., Alameda, Calif., 1991.

Mueller, Scott, *Que's Guide to Data Recovery*, Que Corporation, Carmel, Ind., 1991.

Mueller, Scott, *Upgrading and Repairing PCs*, Que Corporation, Carmel, Ind., 1988.

Mueller, Scott, *Upgrading and Repairing PCs*, Fifth Edition, Que Corporation, Carmel, Ind., 1995.

Navy Electricity and Electronics Training Series, *Magnetic Recording*, Module 23, NAVEDTRA B72-23-00-91, Naval Education and Training Program Management Support Activity, Pensacola, Fla., 1991.

Navy Electricity and Electronics Training Series, *Principles of Synchros, Servos, and Gyros*, Module 15, NAVEDTRA 172-15-00-85, Naval Education and Training Program Management Support Activity, Pensacola, Fla., 1985.

*Operation and Maintenance Instructions for Recorder-Reproducer Set, Magnetic Disk AN/UYH-3(V)*, NAVSEA SE600-AA-MMM-010/AN/UYH-3(V), Naval Sea Systems Command, Washington, D. C., 1988.

*Programmer Reference Manual for Recorder-Reproducer Set, Magnetic Disk AN/UYH-3(V)*, NAVSEA SE600-AA-MMM-040/AN/UYH-3(V), Naval Sea Systems Command, Washington, D. C., 1985.

Seidman Arthur and Ivan Flores, eds., *The Handbook of Computers and Computing*, Van Nostrand Reinhold Co., New York, N.Y., 1984.

Technical Manual, *Disk Memory Set, AN/UYH-2(V)*, Vol. 1, NAVSEA SE600-CV-MMO-010/UYH-2(V), Naval Sea Systems Command, Washington, D. C., 1991.

## Chapter 11

Brewer, Bryan and Young Key, *The Compact Disc Book*, Harcourt Brace Jovanovich, Orlando, Fla., 1987.

Budding, Laura and Elizabeth Young, *The Brady Guide To CD-ROM*, Prentice Hall Press, New York, N.Y., 1987.

*PC/Computing Magazine*, "Safe and Speedy Storage," Volume 6, Number 6, Ziff-Davis Publishing Co., New York, N.Y., June 1993.

## Chapter 12

Bigelow, Stephen J., *Maintain & Repair Your Computer Printer and Save a Bundle*, Windcrest Books, Blue Ridge Summit, Penn., 1992.

LaBadie, Horace W. Jr., *Build Your Own Postscript® Laser Printer and Save a Bundle*, Windcrest Books, Blue Ridge Summit, Penn., 1991.

Minasi, Mark, *Maintaining, Upgrading, and Troubleshooting IBM PCs, Compatibles, and PS/2 Personal Computers*, COMPUTE! Publications Inc., Greensboro, N. C., 1990.

Minasi, Mark, *The Complete PC Upgrade and Maintenance Guide*, SYBEX Inc., Alameda, Calif., 1991.

*Operation, Maintenance, and Installation Instructions for TT-624(V)*, SPAWAR EE161-NA-OMI-010/E110-TT624, Space and Naval Warfare Systems Command, Washington, D. C., 1991.

*Operation and Maintenance Manual with Parts List for Printer-Plotter PT549(V)1/U*, NAVSEA SE630-AC-OMP-010/PT549(V)1/U, Naval Sea Systems Command, Washington, D. C., 1990.

## Chapter 13

*Digital Data Converter CV-2036/USQ-20(V) or Keypad Central Multiplexer (KCMX) Technical Manual*, NAVSEA 0967-LP-051-5110, Naval Sea Systems Command, Washington, D. C., 1968.

Navy Electricity and Electronics Training Series, *Introduction to Matter, Energy, and Direct Current*, Module 1, NAVEDTRA 172-01-00-88, Naval Education and Training Program Management Support Activity, Pensacola, Fla., 1988.

Navy Electricity and Electronics Training Series, *Principles of Synchros, Servos, and Gyros*, Module 15, NAVEDTRA 172-15-00-85, Naval Education and Training Program Management Support Activity, Pensacola, Fla., 1985.

*Signal Data Converter Group, CV-2953A (P)/UYK, Description, Operation, and Maintenance, Vol. 1, NAVSEA 0967-LP-581-9010, Naval Sea Systems Command, Washington, D. C., Oct 1974.*

*Technical Manual, Description, Operation and Maintenance Combat Direction System, Digital Fire Control Switchboard Mk-70 Mod 13 and Computer Switching Control Panels Mk-328 Mod 11 CG 16 Class, Vol. 1, NAVSEA SC675-AG-MMO-010/CG, 16CL, Naval Sea Systems Command, Washington, D. C., Apr 1986; Vol. 2, NAVSEA SC675-AG-MMO-020/CG, 16CL, Naval Sea Systems Command, Washington, D. C., Apr 1986.*

*Technical Manual for Digital Data Signal Distribution Switchboard, SB-1299/USQ-20(V), SB-1299A/USQ-20(V), and SB-1299B/USQ-20(V), NAVSHIPS 0967-224-4010, Naval Sea Systems Command, Washington, D. C., Jan 1967.*

*Technical Manual for Digital-to-Signal Distribution Switchboard, SB-1299/USQ-20(V), SB-1299A/USQ-20(V), and SB-1299B/USQ-20(V), NAVSHIPS 0967-224-4010, Naval Sea Systems Command, Washington, D. C., Jan 1967.*

*Technical Manual for Electronic Equipment Mounting Base MT-3574B USQ-20(V), NAVSHIPS 0967-306-8010, Naval Sea Systems Command, Washington, D. C., Nov 1980,*



# INDEX

## A

- A/D converters, 4-20
- ABT, 4-30
- Access
  - direct memory, 7-16
  - time, 6-2
- Accumulator (register), 5-6
- Acknowledge
  - external function, 7-33
  - input data, 7-33
  - output data, 7-33
  - signal, 7-32
- Adder and subtracter circuits, 4-12
- Address
  - bus, 5-24
  - pointers, buffer, 7-14
  - translation memory, 6-6
- Addressing operands
  - direct, 8-10
  - extended, 8-11
  - immediate, 8-11
  - implicit, 8-11
  - indexed, 8-11
  - indirect, 8-12
  - instruction, 8-10
  - relative, 8-12
  - task state instruction, 5-10
- ADP security, 1-14
- Alarms, audible, 3-2
- ALU timing, 5-19
- Amplifiers
  - dc, 4-19
  - sense, 4-21, 6-13, 6-20
- Analog
  - signal conversion circuits, 4-19
  - to digital converters, 4-20, 13-3
- Analog switchboards, 13-35
- ANSI X3.131, 7-23
- Applications programs, 8-3
- Architecture
  - cable, 2-23
  - connector, 2-15
  - memory, 6-4
- Arithmetic

- logic unit, 5-18
- operations, 5-20

Arrays, 6-16

Assembly/chassis layout, 2-4

ASW systems, 1-8

Asynchronous data exchanges, 7-28

Automatic bus transfers, 4-30

## B

- Backplane/motherboard layout, 2-6
- Backup power, 4-29
- BAP, 7-13
- Basic input/output system, 5-18
- Battery-protected storage, 8-17
- Battle short mode operation, 1-13
- BCW, 7-13
- Binary angular measurement (BAM), 13-4
- Binary-coded decimal, 13-4
- BIOS, 5-18
- Bipolar ICs, 4-7
- Bit, 4-24
- Boards, printed circuit, 2-13
- Boolean algebra, 4-4
- Boot/bootstrap procedure, 5-18
  - mainframe computer, 8-25
  - microcomputer, 8-19
  - minicomputer, 8-22
- Breakers, circuit, 3-2
- Buffer
  - address pointers, 7-13
  - control words, 7-13
  - transmit, 7-21
- Bus
  - address, 5-24
  - computer interconnection system, 5-25
  - control, 5-24
  - data, 5-24
  - direct memory interface, 5-26
  - I/O MEM bus, 5-25
  - input/output controller, 5-25
  - instruction, 5-25
  - operand, 5-25
  - time multiplexed, 5-26
- Buses, 5-1

- operations, 5-26
  - types, 5-24
  - Busy signal, 7-32
  - Byte, 4-24
- C**
- Cabinets/frames (See frames/cabinets)
  - Cables, 2-15
    - architecture, 2-25
    - coaxial, 2-25
    - connectors, 2-15
    - fiber optic, 2-25
    - flat, 2-24
    - input, 7-33
    - output, 7-33
    - ribbon, 2-24
    - single, 7-32
    - twisted/multiconductor, 2-25
  - Cache memory, 5-15
  - Cage/rack frames/cabinets, 2-10
  - Capabilities, operational, 1-13
  - Capacity, memory, 6-1
  - Card cage/rack layout, 2-4
  - Cartridge magnetic tape devices, 9-18
  - CD-ROM, 11-1
    - applications, 11-6
    - data storage structure, 11-2
    - physical characteristics, 11-2
  - CD-ROM drives, 11-4
    - CD controller, 11-6
    - interface section, 11-6
    - optical head, 11-4
    - turntable, 11-6
  - Central processing unit, 5-1
    - arithmetic and logic unit (ALU), 5-18
    - control section, 5-2
  - Centronics parallel, 7-27
  - Chain address pointer, 7-13
  - Chaining, daisy, 7-17
  - Chaining instructions, 7-10
  - Channel control, 7-14
  - Character-addressable instructions, 8-12
  - Character printers, 12-9
    - daisy wheel printers, 12-10
    - dot matrix printers, 12-9
  - Character sets, 12-2
    - alternate character sets, 12-3
    - ASCII character set, 12-2
  - Chassis/assembly
    - frames/cabinets, 2-8
    - layout, 2-4
  - Check, parity, 6-7
  - Circuit
    - analog signal conversion, 4-20
    - boards, printed, 2-13
    - breakers, 3-2
    - integrated, regulator, 4-20
    - line driver/receiver integrated, 4-21
    - read/write cycle, 6-20
    - regulator integrated, 4-20
  - Circuits, 4-1, 4-4, 4-5
    - adder/subtractor, 4-12
    - code converter, 4-11
    - data routing, 4-12
    - digital ICs, 4-7
    - digital logic, 4-4, 4-9, 4-10
    - driver integrated, 4-19
    - general linear, 4-19
    - I/O, 7-13
    - integrated (ICs), 4-5, 4-7
    - memory interface, 6-4
    - sequencing, 7-13
    - systems interface, 4-21
    - timing, 4-22, 6-7, 7-12
  - CIS, 5-25
  - Class I through IV interrupts, 5-12
  - Clear/set flag, 7-14
  - Clock
    - master, 5-4
    - monitor, 5-5
    - multiple phase, 4-23
    - real-time, 5-5
    - single phase, 4-23
  - Coaxial cables, 2-25
  - Codes
    - converter circuits, 4-11
    - Hamming, 6-8
    - interrupt, 5-13
    - operation, 8-7
  - Combinational digital logic circuits, 4-4, 4-9
  - Command
    - instructions, 7-10
    - signals (enables), 4-13
  - Comparators, 4-13, 4-20
  - Compensators, 4-29



- Components, 4-1
    - circuits, 4-4
    - interfacing, 7-19
    - number systems, 4-2
    - physical layouts, 2-3, 2-6
  - Computers
    - central processing units and buses, 5-1
    - components and circuits, 4-1
    - configurations and hardware, 2-1
    - fundamentals and operations, 1-1
    - input/output and interfacing, 7-1
    - instructions and man/machine interfaces, 8-1
    - memories, 6-1
    - operator controls and controlling units, 3-1
    - types of, 1-3
  - Computer switching and control panel (CSCP), 13-33
  - Computer viruses, 10-29
  - Conditioners, line, 4-29
  - Configurations, 1-9, 2-1
    - block diagrams, 2-1
    - hardware, 1-10
    - layouts, 2-2, 2-4, 2-6
    - mainframe computer, 8-23
    - microcomputer, 8-16
    - minicomputer, 8-20
    - software, 1-10
  - Connectors, 2-15
    - architectures, 2-15
    - cables, 2-15
    - external, 2-21
    - internal, 2-18
  - Consoles
    - maintenance, 3-10
    - remote, 3-13
  - Control and maintenance panels, 3-8
  - Control memory, 5-15
    - operations, 7-15
  - Control section, 5-2
    - cache memory, 5-15
    - control memory, 5-15
    - instruction and control, 5-6
    - instruction operand addressing, 5-10
    - interrupts, 5-10
    - read-only memory, 5-17
    - timing, 5-3
  - Controlling units, 3-1, 3-4
    - display, 3-9
    - keyboards, 3-11
    - mainframe computer, 8-23
    - maintenance consoles, 3-10
    - microcomputer, 8-17
    - minicomputer, 8-21
    - panels, 3-7, 3-8, 3-10
    - power/temperature panels, 3-7
    - remote consoles, 3-13
    - teletypes, 3-12
  - Controls
    - buffer, 7-21
    - bus, 5-24
    - channel, 7-14
    - circuits, 6-4, 7-13
    - data entry/display, 8-21
    - external, 1-10
    - function/command, 7-9
    - independent request, 7-18
    - mainframe computer, 8-23
    - memory, 7-13, 7-20
    - microcomputer, 8-17
    - minicomputer, 8-21
    - modem, 7-20
    - operator, 1-10
    - sequence, 5-5
    - transmit, 7-21
    - words, 7-9, 7-14
  - Converter
    - analog to digital, 4-20, 13-3
  - Cooling systems, 2-26
  - Coprocessor, numeric data, 5-23
  - Core memory, 6-9
  - Correction/detection, error bit, 6-8
  - Counter, program, 5-6, 5-9
  - Counters, 4-15
  - CPU interface, direct, 7-14
  - Cycle
    - core, 6-12
    - mated film, 6-18, 6-19
    - memory, 6-6, 6-7
    - read/write, 6-20
  - Cylinder addressing, disk, 10-4
- D**
- Daisy chaining, 7-17
  - Data
    - asynchronous, 7-28

- bus, 5-24
  - communications equipment, 7-1, 7-28
  - display, 1-3, 8-17, 8-21, 8-23
  - entry, 8-17, 8-21, 8-23
  - external function, 7-1
  - gathering, 1-2
  - input acknowledge, 7-33
  - input request, 7-33
  - lines, 7-33
  - message framed, 7-29
  - process, 1-2
  - routing circuits, 4-12
  - sequence of events, input, 7-33
  - strobe, 7-32
  - synchronous, 7-28
  - terminal equipment, 7-1, 7-28
  - transfer, 7-36
  - types/formats, 4-24
  - words, 7-8
  - Data conversion devices, 13-1
  - Data encoding methods, disk, 10-25
    - frequency modulation, 10-26
    - modified frequency modulation (MFM), 10-26
    - run length limited (RLL), 10-26
  - Data organization
    - CD-ROM, 11-2
    - disk, 10-3
    - tape, 9-8
  - DC amplifiers, 4-21
  - DCE/DTE serial I/O cable signals, 7-29
  - Decision-making functions, 4-11
  - Demultiplexer, 4-14
  - Designators, 8-7
  - Desktop systems, 1-9
  - Destructive readout, 6-2
  - Detection/correction, error bit, 6-8
  - Devices, protection, 3-2, 4-29
  - Diagnostics
    - mainframe computer, 8-24
    - microcomputer, 8-18, 8-19
    - minicomputer, 8-21
    - ROM, 8-18
    - tape, 9-20
    - testing, 5-18
  - Diagrams, functional block, 2-2
  - Digit drivers, 6-20
  - Digital ICs, 4-7
    - convention, 4-8
    - functional uses, 4-11
    - groups, 4-9
    - logic circuits, 4-9, 4-10
    - logic gates, 4-8, 4-9
  - Digital fire control switchboard (DFCS), 13-26
  - Digital switchboards, 13-25
    - manual switchboards, 13-25
    - remotely controlled switchboards, 13-26
  - Digital-to-analog
    - conversion, 13-7
    - converter, CV-251B/UYK, 13-8
  - Digital-to-digital (D/D) conversion, 13-13
  - Digital-to-linear/scalar conversion, 13-8
  - DIP switches, 8-16
  - Direct
    - interface, 7-14
    - memory access, 7-16
    - memory interface (DMI) bus, 5-26
    - operand addressing, 8-10
  - Directories, disk
    - root directory, 10-5
    - subdirectories, 10-5
  - Disk, magnetic— *see* magnetic disk
  - Display, 3-2
    - control units, 3-9
    - data, 1-3
    - drivers, 4-21
    - operator controls, 3-1
  - Disseminate data, 1-3
  - DIX, Ethernet, 7-25
  - Double-length instructions, 8-13
  - Double word, 4-25
  - DRAM, 6-24
  - Drivers
    - digit, 6-20
    - display, 4-21
    - integrated circuits, 4-19
    - line, 7-21
    - memory, 4-21
    - peripheral, 4-21
  - Dual-channel operating mode, 7-11
  - Dynamic RAM (DRAM), 6-24
- E**
- EF sequence of events, 7-34
  - EFA, 7-33
  - EFR, 7-33

- EI
  - data, 7-2
  - sequence of events, 7-34
- EIA RS-232, 7-24
- EIE, 7-33
- EIR, 7-33
- Electromagnetic interference, 1-14
- Electronics, integrated drive, 7-27
- Enables, sequence, 5-5
- Encoding, 13-3
- End-around-test (EAT), 13-39
- Enhanced small device interface (ESDI), 7-27
- Environmental inventory, 5-18
- Equipment
  - data communications, 7-1, 7-28
  - data terminal, 7-1, 7-28
- Error bit detection/correction, 6-8
- ESA, 7-11
- Escape codes, printer, 12-3
- ESDI, 7-28
- ESI, 7-11
- Ethernet DIX (IEEE 802.3), 7-25
- Events
  - external function sequence (normal), 7-34
  - external interrupt sequence, 7-34
  - input data sequence, 7-32
  - output data sequence, 7-34
  - single-cable sequence, 7-32
  - two-cable sequence, 7-33
- Exchanges
  - asynchronous data, 7-28
  - synchronous data, 7-28
- Executive state, 5-10
  - instructions, 5-10
- Extended operand addressing, 8-11
- Extension interface, requestor, 5-25
- External
  - connectors, 2-21
  - controls, 1-10
  - single-cable equipment, 7-32
  - two-cable equipment, 7-33
- External function data, 7-2
  - request/acknowledge, 7-33
  - sequence of events (normal), 7-34
- External interrupt
  - data, 7-2
  - request/enable, 7-33
  - sequence of events, 7-34
- words, 7-9
- Externally specified address/index (ESI) operating mode, 7-11
- F**
- Fault detection, memory, 6-7
- Fetch (read) the instruction, 5-9
- Fiber optic cables, 2-25
- File allocation table, 10-6
- Film
  - mated, 6-17
  - memory, 6-13
- Filter, power supply, 4-26
- Filters, 2-12
- 5.25-inch floppy disk, 10-7
  - densities and coercivities, 10-10
- Fixed disk care and handling, 10-30
- Fixed disk interfaces, 10-27
  - Enhanced Integrated Drive Electronics Interface (EIDE), 10-28
  - Enhanced Small Device Interface (ESDI), 10-27
  - Integrated Drive Electronics (IDE) Interface, 10-27
  - Small Computer Systems Interface (SCSI), 10-28
  - ST-506/412 Interface, 10-27
- Fixed hard disk systems, 10-23
- Fixed-point operations, 5-20
- Flag, set/clear, 7-14
- Flat cables, 2-24
- Flip-flops, 4-10
- Floating-point operations, 5-20
- Floppy disk drives, 10-8
  - configuration, 10-11
  - installation, 10-11
- Floppy disks, 10-6
  - care and handling, 10-12
  - 5.25-inch, 10-7
  - 3.5-inch, 10-8
- Format
  - instructions, 8-7
  - interfacing, 7-21
  - parallel, 7-9
  - serial, 7-9
- Formatting
  - disk, 10-4
  - disk pack, 10-22

- high-level format, 10-29
- low-level format, 10-28
- Formats, data, 4-24
- Frames/cabinets, 2-7
  - cage/rack, 2-10
  - chassis/assembly, 2-8
  - modular, 2-8
  - motherboard/backplane, 2-11
  - safety/security features, 2-12
- Full-word instructions, 8-12
- Function commands
  - control words, 7-8
  - external acknowledge, 7-33
  - external data, 7-2
  - external request, 7-33
  - external sequence of events, 7-34
- Functional operation, 1-7
  - battle short mode, 1-13
  - block diagrams, 2-2
  - decision making, 4-11
  - layouts, 2-4
  - online and offline, 1-12
  - operational capabilities/limitations, 1-13
  - operational requirements, 1-14
  - operational uses, 1-7
- Functions
  - computer, 1-1
  - instruction/control, 5-6
  - memory, 4-15

## G

- Gaskets, 2-12
- Gates, digital logic, 4-9
- Gateway, 7-2
- Gather data, 1-2
- General linear circuits, 4-19
- Gray code, 13-4
- Ground, 7-32
- Guards, 3-2

## H

- Half-word instructions, 8-12
- Hamming code, 6-8
- Handshaking, 7-2
- Hexadecimal, 4-3
- Hours (time totalizing meter), 3-2

- Hub, 7-2

## I

- I/O (See input/output)

### IC

- bipolar, 4-7
- categories, 4-7
- digital, 4-7
- families, 4-7
- linear, 4-18
- metal-oxide semiconductor, 4-7
- packaging, 4-5
- size, 4-5

### ID

- lines, 7-33
- sequence of events, 7-33

- IDA, 7-33

- IDR, 7-33

### IEEE

- 802.3 (Ethernet DIX), 7-25
- 802.5, 7-24

- Immediate operand addressing, 8-11

- Impact printers, 12-7

- chain and band printers, 12-8
- character printers, 12-9
- daisy wheel printers, 12-10
- dot matrix printers, 12-9
- drum printers, 12-7
- line printers, 12-7

- Implicit (implied) operand addressing, 8-11

- Independent request control, 7-18

- Index registers, 5-6

- Indexed operand addressing, 8-12

- Indicators, operator controls, 3-2

- Indirect operand addressing, 8-12

- Inhibit current regulator, 6-13

- Initiate transfer, 7-14

### Input

- cable, 7-33
- data lines, 7-33
- data request/acknowledge, 7-33
- data sequence of events, 7-33

- Input/output, 7-1

- circuits, 7-11, 7-13
- control memory, 7-13
- data arrangement, 7-8
- functions, 7-12

- instructions, 7-9
- intercomputer, 7-35
- interrupt driven, 7-15
- IOC/IOA interfacing, 7-4
- IOC/IOA module, 7-3
- MEM bus or input/output controller (IOC) bus, 5-25
- memory reference, 7-13
- operations, 7-11, 7-13, 7-14
- organization, 7-2
- parallel data operations, 7-31
- pcb's, 7-7
- polled, 7-15
- processor, 7-3
- serial data operations, 7-28
- terminology, 7-1
- wait loop, 7-15
- waveshapes, 4-8
- Instruction(s), 5-19, 7-9, 8-1
  - bus, 5-25
  - character addressable, 8-12
  - double length, 8-13
  - execute, 5-9
  - fetch/read, 5-9
  - formats, 8-7, 8-8
  - full-word, 8-12
  - half-word, 8-12
  - language interpretation, 8-5
  - levels, 8-3
  - multiple-word, 8-13
  - operand addressing, 5-10, 8-10
  - operational levels, 5-10
  - programs/software, 8-2
  - register, 5-6
  - size, 8-12
  - translation, 5-9
  - types, 8-3
- Instruction and control functions, 5-6
- Integrated circuits, 4-5
  - categories, 4-7
  - digital, 4-7
  - families, 4-7
  - line driver/receiver, 4-21
  - linear, 4-18, 4-20
  - packaging, 4-5
  - receiver, 4-20
  - regulator, 4-20
  - size integration, 4-5
- Integrated drive electronics (IDE), 7-27
- Intercomputer
  - channel operating mode, 7-11
  - I/O operations, 7-35
- Interconnection system, 5-25
- Interface
  - circuits, memory, 6-4
  - circuits, systems, 4-21
  - direct, 7-14
  - enhanced small device, 7-27
  - man/machine, 8-1, (*See also*, man/machine interfaces)
  - requestor extension, 5-25
  - small system, 7-23
- Interfacing, 7-1, 7-14
  - components, 7-19
  - formats, 7-21
  - methods of connections, 7-17
  - parallel data operations, 7-31
  - serial data operations, 7-28
  - standards, 7-18
  - terminology, 7-1
- Interference, electromagnetic, 1-14
- Interleave, 6-7
- Interleave factor, fixed disk, 10-26
- Internal connectors, 2-18
- Interrupt, 5-10
  - classes I-IV, 5-12
  - codes, 5-13
  - driven I/O, 7-15
  - external data, 7-2
  - external sequence of events, 7-34
  - external words, 7-9
  - handling process, 5-13
  - lockout, 5-12
  - request, external, 7-33
  - task state, 5-10
- Inventory, environmental, 5-18
- IOA, 7-4
- IOC, 7-3
  
- J**
  
- Jumpers, 8-16
  
- K**
  
- Key switches, 3-2

Keyboards, 3-11  
Keyset central multiplexer (KCMX), 13-15

## L

Language instructions, 8-5

### Layouts

- assembly/chassis, 2-4
- backplane/motherboard, 2-6
- block diagrams, 2-2
- card cage/rack, 2-4
- functional, 2-3
- modular, 2-4
- physical, 2-4, 2-6

Levels of instruction, 8-3

Limitations, operational, 1-13

### Line

- conditioners, 4-29
- drivers/receivers, 4-20, 4-21, 7-21

Line printers, 12-7

- chain and band printers, 12-8
- drum printers, 12-7

Linear ICs, 4-18

- family types, 4-18
- functional uses, 4-20
- gates, 4-19
- groups, 4-19

### Lines

- data, 7-32
- input data, 7-33
- output data, 7-33

Load/write control memory, 7-14

### Logic

- circuits, digital, 4-4, 4-9
- gates, digital, 4-9

Logical operations, 5-23

## M

Main timing, 5-4

Mainframe computers, 1-3, 8-8, 8-23

- bootstrap, 8-25
- configuration, 8-23
- controls, 8-23
- data entry/display, 8-23
- diagnostics, 8-25
- initiate operational programs, 8-25
- instruction format, 8-8

interrupt/lockout, 5-12, 5-14

power, apply, 8-23

revise/patch software, 8-26

### Magnetic disk

- data encoding methods, 10-25
- drive unit, 10-19
- file unit controls and indicators, 10-15
- fixed hard drive system, 10-23
- floppy disks, 10-7
- memory sets, 10-13

Magnetic disk packs, 10-14

- data surfaces, 10-14
- servo surface, 10-14

Magnetic disk storage, 10-1

- data organization, 10-3
- disks and disk drives, 10-2

Magnetic tape, 9-1

- construction, 9-2
- devices, 9-11
- handling procedures, 9-2
- maintenance, 9-3
- recording methods, 9-7
- storage, 9-6
- transport, 9-15

Magnetic tape controller, 9-12

- control unit, 9-13
- control panel, 9-14
- microprogrammed controller, 9-13

Magnetic tape unit operations, 9-12

- offline operations, 9-13
- programmed controller, 9-13
- read/write, 9-12
- rewind, 9-13
- search, 9-12
- space file, 9-12

Maintenance consoles, 3-10

Man/machine interfaces, 8-1, 8-15

- functions, 8-16
- mainframe computer, 8-23
- microcomputer, 8-16
- minicomputer, 8-20
- operating modes, 8-15
- operations, 8-15

Mapped I/O memory, 7-14

Master clock, 5-4

Mated film, 6-17

Math pac, 5-23

Matrices, 6-16

- Memory
  - address translation, 6-6
  - architecture, 6-4
  - cache, 5-15
  - capacity, 6-1
  - control, 5-15
  - core, 6-9
  - cycle, 6-6
  - direct interface, 5-26
  - DRAM, 6-24
  - drivers, 4-21
  - fault detection, 6-7
  - film, 6-13
  - functions, 4-15
  - interface circuits, 6-4
  - load/write control, 7-14
  - mapped I/O, 7-14
  - modules, 6-2
  - non-destructive readout, 6-27
  - nonvolatile, 6-2
  - operations, 6-1, 6-4
  - organization, 6-2
  - pcb's, 6-3
  - programmable ROM, 6-30
  - protection, 6-8
  - RAM chip, 6-3,6-20
  - read-only (ROM), 5-17, 6-26
  - read/write, 6-11
  - ROM, 5-17,6-26
  - semiconductor, 6-20
  - SRAM, 6-22
  - stack, 6-11, 6-18
  - store control, 7-15
  - terminology, 6-2
  - types, 6-8
  - volatile, 6-2
- Memory-type functions, 4-15
- Message framed data, 7-28
- Metal-oxide-semiconductor ICs, 4-7
- Meter, time totalizing, 3-2
- Microcomputers, 1-6, 8-10
  - bootstrap, 8-19
  - configuration, 8-16
  - controls, 8-17
  - data entry/display, 8-17
  - diagnostics, 8-18, 8-19
  - initiate operational programs, 8-19
  - instruction formats, 8-7
  - interrupt, 5-11
  - power, 8-17
  - revise/patch software, 8-20
- MIL-STD-188,7-24
- MIL-STD-1397, 4-22, 7-22
- Minicomputers, 1-5, 8-20
  - bootstrap, 8-22
  - configuration, 8-20
  - controls, 8-21
  - data entry and display, 8-21
  - diagnostics, 8-21
  - initiate operational programs, 8-22
  - interrupt/lockout, 5-12
  - power, apply, 8-20
  - revise/patch software, 8-23
- Modem control, 7-20
- Modes
  - dual-channel operating, 7-11
  - intercomputer channel operating, 7-11
  - online/offline, 1-12
  - phase, 8-15
  - run, 8-15
  - sequence, 8-15
  - single channel, 7-11
  - step, 8-15
  - stop, 8-15
- Modular
  - frames/cabinets, 2-7
  - layout, 2-4
- Modules, memory, 6-2
- Monitor
  - clock, 5-5
  - sync/suppress, 7-14
  - words, 7-14
- Motherboard/backplane, 2-11
  - layout, 2-6
- Multiple-phase clock systems, 4-23
- Multiple-word instructions, 8-13
- Multiplexing data converters, 13-14
- Multivibrators, 4-23

**N**

- NDRO memory, 6-27
- Nibble, 4-24
- NIPS, 1-8
- Non-destructive readout memory, 5-17, 6-2, 6-27

Nonimpact printers, 12-10  
    electrothermal printers, 12-13  
    inkjet printers, 12-13  
    laser printers, 12-11  
Nontactical systems, 1-8  
Nonvolatile memory, 6-2  
Number systems, 4-2  
Numeric data coprocessor, 5-23

## **0**

Octal, 4-3  
ODA, 7-33  
ODR, 7-33  
Online/offline operations, 1-12  
Operand addressing  
    direct, 8-10  
    extended, 8-11  
    immediate, 8-11  
    implicit, 8-11  
    indexed, 8-11  
    indirect, 8-12  
    instruction, 8-10  
    relative, 8-12  
    task state, 5-10  
Operand bus, 5-25  
Operands, 5-20, 8-9  
    addressing, 8-10  
Operating modes  
    battle short, 1-13  
    dual-channel, 7-11  
    externally specified index, 7-11  
    I/O operations, 7-35  
    intercomputer channel, 7-11  
    online/offline, 1-12  
    single channel, 7-11  
Operating systems, 8-4  
Operation  
    code, 8-7  
    levels of instructions, 5-10  
    types, 5-20  
Operational  
    capabilities/limitations, 1-13  
    programs, 8-3  
    requirements of computer systems, 1-14  
    uses of computers, 1-7  
Operations, 1-1, 1-7  
    control memory, 7-15

    fixed point, 5-20  
    floating point, 5-20  
    functions, 1-1, 1-7  
    intercomputer I/O, 7-35  
    logical, 5-23  
    memory, 6-4  
    parallel, 7-13  
Operator controls, 1-15, 3-1  
    displays, 3-2  
    indicators, 3-2  
    potentiometer, 3-1  
    protective devices, 3-2  
    switches, 3-2  
    time totalizing meter, 3-2  
Operator panels, 3-7  
Organization, memory, 6-2  
Orientation, print, 12-4  
Oscillators, 4-23  
Output cable, 7-33  
Output data  
    request/acknowledge, 7-33  
    sequence of events, 7-34

## **P**

Pac, math, 5-23  
Packets, 6-14  
Panels  
    control/maintenance, 3-8  
    operator, 3-7  
    power/temperature, 3-7  
Paper-feed assemblies, 12-6  
    friction feed, 12-6  
    tractor feed, 12-6  
Parallel  
    data interfacing, 7-31  
    format, 7-9  
    operations, 7-13  
Parity check, 6-7  
Parity checks, tape, 9-9  
Pcb, 2-19, 6-3  
Peripheral drivers, 4-21  
Personal systems, 1-9  
Phase mode, 8-15  
Physical layouts, 2-4, 2-8  
Pin description, RS-232, 7-30  
Pointers, buffer address, 7-14  
Polled I/O, 7-15



- Position switches, 3-3
  - Potentiometer, 3-1
  - Power
    - backup, 4-29
    - filter, 4-26
    - mainframe computer, 4-27
    - microcomputer, 4-28
    - minicomputer, 4-30
    - requirements, 2-22
    - standby, 4-30
    - uninterruptible, 4-30
  - Power supplies, 4-25
    - components, 4-26
    - controlling devices, 4-26
    - input, 4-25
    - mainframe/minicomputer, 4-27
    - microcomputer, 4-28
    - output, 4-27
    - protection, 4-27
    - protection devices, 4-29
  - Power/temperature panels, 3-7
  - Printed circuit boards, 2-13
  - Printer interfaces, 12-5
    - Centronics parallel interface, 12-5
    - RS-232 serial interface, 12-5
  - Printers, 12-1
    - character printers, 12-9
    - characteristics, 12-5
    - control codes, 12-3
    - impact printers, 12-7
    - nonimpact printers, 12-10
  - Printing
    - character sets, 12-2
    - control codes, 12-3
    - line characteristics, 12-4
    - orientation, 12-4
  - Procedures, boot, 5-18
    - mainframe computer, 8-25
    - microcomputer, 8-19
    - minicomputer, 8-22
  - Process
    - data, 1-2
    - interrupt handling, 5-13
  - Processor, I/O, 7-4
  - Program counter, 5-6, 5-9
  - Programmable
    - interval timers, 5-5
    - read-only memory, 6-30
  - Programs, 8-2
    - applications, 8-3
    - instructions, 8-3
    - mainframe computer, 8-25
    - microcomputer, 8-19
    - minicomputer, 8-22
    - operational, 8-3
    - utility, 8-3
  - PROM, 6-30
  - Protection
    - devices, 3-2, 4-29
    - memory, 6-10
  - Protocol, 7-2
  - Pushbutton switches, 3-3
- Q**
- Quantization, 13-3
  - Queue/stack, interrupt, 5-13
- R**
- Random access memory (RAM), 6-3
    - chip, 6-20
    - dynamic, 6-24
    - static, 6-22
  - Read cycle
    - circuits, 6-20
    - core, 6-12
    - mated film, 6-18
    - memory, 6-7
  - Read/write
    - control, 7-20
    - cycle circuits, 6-20
    - memories, 6-9
  - Read-only memory (ROM), 5-17, 6-26
  - Readout, destructive, 6-2
  - Real-time clock, 5-5
  - Receive buffer/receive control, 7-21
  - Receivers
    - line, 7-21
    - transmitters, universal, 7-19
  - Rectifier, 4-26
  - Reduced write current, 10-28
  - Registers, 4-11, 5-6, 5-22
    - accumulator, 5-6
    - index, 5-6
    - instruction, 5-6

- shift, 4-18
- status indicating, 5-7
- storage, 4-17
- Regulators, 4-26
  - inhibit current, 6-13
  - integrated circuits, 4-19
  - switching, 4-20
  - voltage, 4-20
- REI, 5-25
- Relative operand addressing, 8-14
- Remote
  - consoles, 3-13
  - operator control units, 3-13
- Requestor extension interface (REI), 5-25
- Requests
  - independent control, 7-18
  - input data, 7-33
  - output data, 7-33
- Requirements
  - functional operations, 1-14
  - operational, 1-14
  - power, 2-21
- Ribbon cables, 2-24
- Ring, token, 7-24
- ROM, 5-17, 6-26
- ROM based diagnostics, 8-18
- RS-232, 7-24
  - pin description, 7-30
- RS-422, 7-24
- RS-449, 7-23
- RTC, 5-5
- Run mode, 8-15

**S**

- Safety/security features of frames/cabinets, 2-12
- Sampling, 13-3
- Search for sync/set suppress/set monitor, 7-14
- Sectors, disk, 10-3
- Security, ADP, 1-14
- Select signal, 7-32
- Selectors, 4-14
- Semiconductor memory, 6-20
  - DRAM, 6-24
  - SRAM, 6-22
- Sense amplifiers, 4-21, 6-13, 6-20
- Sequence
  - enables and control, 5-5
  - mode, 8-15
- Sequence of events
  - external function, 7-34
  - external interrupt, 7-34
  - input data, 7-33
  - output data, 7-33
  - single cable, 7-32
  - two cable, 7-33
- Sequencing circuits, 7-13
- Sequential digital logic circuits, 4-10
- Serial, 7-14
  - data operations, 7-28
  - format, 7-9
- Set/clear flag, 7-14
- Shift registers, 4-18
- Ship, switchboard, and computer switching control panel (CSCP) wiring, 13-34
- Signals
  - acknowledge, 7-32
  - audible alarms, 3-2
  - busy, 7-32
  - command, 4-13
  - DCE/DTE, 7-29
  - enable, 4-13
  - select, 7-32
- Single-cables, 7-32
  - sequence of events, 7-32
- Single-channel operating mode, 7-11
- Single-phase clock systems, 4-23
- Size instructions, 8-12
- Small computer system interface, 7-23
- SNAP systems, 1-9
- Software, 1-10, 8-4
- Software revisions
  - mainframe computer, 8-26
  - microcomputer, 8-20
  - minicomputer, 8-23
- SPS, 4-30
- SRAM, 6-22
- ST-506/412, 7-27
- Stack
  - memory, 6-11, 6-16
  - queue, interrupt, 5-13
- Standards, interfacing, 7-18
- Standby power supply (SPS), 4-30
- State, executive, 5-10
- State, task

- instruction operand addressing, 5-10
- interrupts, 5-10
- Static RAM (SRAM), 6-22
- Status-indicating registers, 5-7
- Step mode, 8-15
- Stop mode, 8-15
- Storage
  - battery protected, 8-17
  - registers, 4-17
- Store
  - control memory, 7-14
  - data, 1-2
- Strobe, data, 7-32
- Subassemblies, 2-13
- Support systems, tactical, 1-8
- Suppress
  - sync monitor, 7-14
  - word, 7-14
- Surge protectors, 4-29
- Switchboards, 13-1
  - analog, 13-35
  - digital, 13-25
- Switches, 3-2
  - DIP, 8-16
  - key, 3-3
  - position, 3-3
  - pushbutton, 3-3
  - toggle, 3-4
  - two position, 3-4
- Switching regulators, 4-20
- Sync/suppress monitor, 7-14
- Synchro signals, 13-6
- Synchro-to-digital (S/D) conversion, 13-7
  - octant conversion, 13-7
  - sector conversion, 13-7
  - single-speed/dual-speed synchro conversions, 13-7
- Synchros, 13-5
  - control synchro systems, 13-5
  - multispeed synchro systems, 13-5
  - torque systems, 13-5
- Synchronous data exchanges, 7-28
- Systems
  - ASW, 1-8
  - basic input/output, 5-18
  - cooling, 2-26
  - interconnection, 5-25
  - interface circuits, 4-21

- nontactical, 1-8
- number, 4-2
- operating, 8-4
- operational requirements, 1-14
- personal/desktop, 1-9
- single-phase clock, 4-23
- SNAP, 1-9
- tactical, 1-7
- tactical support, 1-8

## T

- Tactical support systems, 1-7
- Tactical systems, 1-7
- Tape, magnetic— *see* magnetic tape
- Task state, 5-10
  - instruction operand addressing, 5-10
  - instructions, 5-10
  - interrupts, 5-10
- Teletypes, 3-12
- Testing, diagnostic, 5-18
- 3.5-inch floppy disk construction, 10-8
  - densities and coercivities, 10-10
- Time
  - access, 6-2
  - multiplexed bus, 5-26
  - totalizing meter, 3-2
- Timers, 4-21
  - programmable interval, 5-5
- Timing, 5-2
  - ALU, 5-19
  - circuits, 4-22, 4-23
  - components, 4-23
  - control section, 5-3
  - I/O, 7-12
  - main, 5-3
  - memory, 6-5
- Toggle switches, 3-4
- Token ring (IEEE 802.5), 7-24
- Tracks, disk, 10-3
- Transformer, 4-26
- Translate instructions, 5-9
- Translators, 4-14
- Transmit buffer/transmit control, 7-21
- Transmitters, universal receiver, 7-19
- Twisted component/multiconductor cables, 2-25
- Two-cable sequence of events, 7-33
- Two-position switches, 3-4

## U

Uninterruptible power supply (UPS), 4-30  
Universal receiver transmitters, 7-19  
Update the program counter, 5-9  
UPS, 4-30  
Uses, operational, 1-7  
Utility programs, 8-3

## V

Viruses, 10-29  
Volatile memories, 6-2  
Voltage regulators, 4-20

## W

Waveshapes, 4-8  
Word, 4-24  
    control, 7-8  
    data, 7-8  
    double, 4-25  
    external interrupt, 7-9  
    function (command) control, 7-9  
    monitor, 7-14  
    suppress, 7-14  
Write cycle  
    core, 6-13  
    mated film, 6-19  
    memory, 6-7  
Write precompensation, 10-28

---

---

# *Assignment Questions*

---

---

**Information:** The text pages that you are to study are provided at the beginning of the assignment questions.



# ASSIGNMENT 1

Textbook Assignment: “Fundamentals and Operations of Computers,” chapter 1, pages 1-1 through 1-17;  
“Computer Configurations and Hardware,” chapter 2, pages 2-1 through 2-12.

---

- 1-1. All computers have which of the following components in common?
1. Modem, memory, and floppy drives
  2. Math coprocessor, microchips, and central processing unit
  3. Central processing unit, memory, and input/output section
  4. Analog processing unit, input/ output section, and microchips
- 1-2. The amount of computing power a computer has is determined by which of the following factors?
1. Physical size
  2. Size of drives
  3. Number of drives
  4. Technology used
- 1-3. All computers must be capable of which of the following functions?
1. Processing and storing data
  2. Retaining data on compact disks
  3. Interfacing with mainframe computers
  4. Interfacing with desktop publishing equipment
- 1-4. Computers can gather data by which of the following methods?
1. Manually only
  2. Automatically only
  3. Both manually and automatically
  4. Local-area networks
- 1-5. A computer automatically gathers data by which of the following means?
1. From another system, subsystem, or equipment
  2. From specific software
  3. By a local terminal user
  4. By a remote terminal user
- 1-6. Which of the following tasks is the main purpose of a computer?
1. Storing data
  2. Gathering data
  3. Processing data
  4. Disseminating data
- 1-7. Computers can externally store data on which of the following types of media?
1. Magnetic disks only
  2. Magnetic tape only
  3. Paper tape only
  4. Magnetic disks, magnetic tape, and paper tape
- 1-8. Computers can disseminate data to which of the following types of equipment?
1. A display subsystem only
  2. A magnetic tape or disk unit only
  3. A printer only
  4. A display subsystem, magnetic tape or disk unit, and a printer

- 1-9. Computer systems display which of the following general types of data/information?
1. Hardware performance information only
  2. Data related to the system's mission only
  3. Status information related to the system's operation only
  4. Data related to the system's mission and status information related to the system's operation, and hardware performance information
- 1-10. In addition to display units, a computer relies on what other equipment to display processed data?
1. Floppy disks
  2. Processors
  3. Printers
  4. Modems
- 1-11. What are the three general types of computers?
1. Mini, macro, and laptop
  2. Personal, mini, and macro
  3. Mainframe, mini, and micro
  4. Technological, mainframe, and desktop
- 1-12. The mainframe computers you will maintain in the Navy are categorized by which of the following terms?
1. Word processing
  2. General purpose
  3. Specialized
  4. Graphical
- 1-13. The Navy adapts a specific program to fit its needs and does not deviate once this program is installed into the computer.
1. True
  2. False
- 1-14. What type of computer is housed in a large, rugged frame or cabinet?
1. Minicomputer
  2. Microcomputer
  3. Microcomputer
  4. Mainframe computer
- 1-15. What types of computers use operator console and maintenance console panel/display control units to perform maintenance?
1. Mainframe computers
  2. Microcomputers and minicomputers
  3. Minicomputers and microcomputers
  4. Microcomputers and local-area network computers
- 1-16. Although a computer maybe used for many types of operations, which of the following computers are considered the heart of the tactical and tactical support data systems?
1. Minicomputers
  2. Microcomputers
  3. Mainframe computers
  4. Minicomputers or microcomputers, depending on the system
- 1-17. The SNAP I and II systems use as their host computers which of the following equipment?
1. Minicomputers
  2. Microcomputers
  3. Mainframe computers
  4. Local-area network computers



- 1-18. Some of the newer microcomputers maybe even more powerful than older, larger mainframe computers.
1. True
  2. False
- 1-19. What type of computer has the CPU contained on a single integrated chip?
1. Microcomputer
  2. Macrocomputer
  3. Minicomputer
  4. Mainframe computer
- 1-20. Which of the following elements is generally considered an optional equipment for microcomputers?
1. Display monitor
  2. Keyboard
  3. Printer
  4. Modem
- 1-21. Training for which of the following types of computers is NOT NEC producing?
1. Minicomputer
  2. Microcomputer
  3. Mainframe computer
  4. Macrocomputer
- 1-22. What is the heart of every data system?
1. Software
  2. Operator
  3. Computer
  4. Peripherals
- 1-23. How do computer systems exchange data?
1. Through local-area networks
  2. Through transfer of software
  3. Through a knowledgeable and competent operator
  4. Through a series of interrupts, requests, and acknowledges
- 1-24. Which of the following types of data do computers exchange?
1. Data words only
  2. Status signals only
  3. Control signals only
  4. Data words, status signals, and control signals
- 1-25. How is interfacing between computers and peripherals accomplished?
1. Cables and connectors
  2. Electronic emissions
  3. Output devices
  4. External disk drives
- 1-26. What are the three operational uses of computers by the Navy?
1. Graphical, database, and tactical
  2. Nontactical, tactical, and tactical support
  3. Tactical support, graphical, and database
  4. Word processing, tactical support, and nontactical
- 1-27. The number of computers used in a tactical data system depends on which of the following factors?
1. Size of ship
  2. Class of ship
  3. Mission of ship
  4. Length of ship deployment

- 1-28. Tactical support platforms include a variety of systems and normally use which of the following types of computers in their operations?
1. Minicomputers only
  2. Microcomputers only
  3. Mainframe computers only
  4. Microcomputers and mainframe computers
- 1-29. ASW systems use what means as the central point of operation?
1. A single computer only
  2. A data processing subsystem
  3. A video processing subsystem
  4. Multiple computers
- 1-30. In a JMCIS system, informational data is provided to designated flagships for what purpose?
1. Logistical inventories
  2. Flight orders of shipboard planes
  3. Mobilization and documentation of personnel
  4. Battle management of tactical situations
- 1-31. In the JMCIS system, how do desktop computers in the data processing and video processing subsystems communicate?
1. By coaxial cable
  2. By fiber-optic LANs
  3. By disk exchange
  4. By modems
- 1-32. The naval intelligence processing system uses which of the following types of specially modified computers in a LAN configuration as its operational computers?
1. Unisys 44
  2. Unisys 101
  3. Zenith 150
  4. DTC/TAC-n personal computers
- 1-33. The naval intelligence processing system uses which of the following operating systems?
1. OS-2 and UNIX
  2. OS-2 and MS-DOS
  3. MS-DOS@ and UNIX™
  4. DR-DOS and INIX
- NOTE: MS-DOS is a registered trademark of Microsoft Corporation. UNIX is a trademark of AT&T.
- 1-34. Nontactical systems normally use which of the following types of computers?
1. Minicomputers and microcomputers
  2. Mainframes and minicomputers
  3. Microcomputers and mainframes
  4. Desktop and mainframes
- 1-35. What are BASIC, FORTRAN, COBOL, PASCAL, and C?
1. Computer programs
  2. Computer languages
  3. Computer processing units
  4. Computer operating systems
- 1-36. On a LAN, personal computers can share which of the following resources?
1. Software only
  2. Data files only
  3. Data files and peripherals only
  4. Data files, peripherals, and software

- 1-37. The type and number of computers that make up a system have a direct bearing on which of the following elements?
1. Hardware and software
  2. Configuration and setup
  3. Operating system and location
  4. Number of operators and types of software
- 1-38. Hardware setup includes what three things?
1. Physical design, ease of maintenance, and operator controls
  2. Operator controls, external controls, and physical design
  3. External controls, ease of maintenance, and physical design
  4. Maintenance availability, operator controls, and external controls
- 1-39. In software setup, what must you specify to the software?
1. The resources to use
  2. The number of operators
  3. The climate of the location
  4. The purpose of the software
- 1-40. Your involvement with software is directly dependent on which of the following factors?
1. Type of mission
  2. Type of computer
  3. Type of peripherals
  4. Type of organization
- 1-41. Who designs the software for mainframes used in tactical and tactical support applications?
1. Outside support activities
  2. Commercial software designers
  3. Shipboard computer programmers
  4. MOTUS
- 1-42. When configuring and setting up software for a microcomputer, you must keep in mind which of the following factors?
1. You must know how to correct operational program discrepancies
  2. You must use only software that was designed by an outside support activity
  3. The computer system must be connected to the nearest mainframe computer
  4. The operating system must be customized to the hardware of the computer system
- 1-43. When using applications software with your microcomputer, you must ensure that the software is compatible with which of the following elements?
1. Coprocessor
  2. Operating system
  3. Memory unit
  4. Mainframe computers
- 1-44. When the computer is online, which of the following factors cause it to function correctly?
1. Software
  2. Peripherals
  3. RAM capacity
  4. Modems
- 1-45. In the offline mode of operation, a computer is limited to performing which of the following operations?
1. Tactical
  2. Nontactical
  3. Maintenance
  4. Tactical support

- 1-46. The battle short mode of operation is used when the computer must run continuously under which of the following conditions?
1. When loading software
  2. When performing maintenance
  3. When an overtemperature condition exists
  4. When an under-temperature condition exists
- 1-47. An overtemperature condition can be a result of which of the following conditions?
1. Too many software programs loaded into ROM
  2. A failed assembly situation only
  3. An inadequate cooling condition only
  4. Either a failed assembly situation or an inadequate cooling situation
- 1-48. The operational capabilities and limitations of a computer system can be controlled by all except which of the following devices?
2. Telephone hookups
  3. Software commands
  4. Control panels
- 1-49. To reconfigure a computer system to a reduced capability, which of the following devices can be used?
1. Peripherals only
  2. Switchboards only
  3. Control panels only
  4. Switchboards, control panels, and I/O devices
- 1-50. A computer's effective operation and security may be seriously jeopardized by which of the following factors?
1. Electromagnetic interference and lack of ADP security
  2. Electromagnetic interference and physical location of equipment
  3. Operator knowledge of mission and lack of ADP security
  4. Both 2 and 3 above
- 1-51. The Navy ensures that only authorized users gain access to computer nontactical systems (SNAP) by which of the following means?
1. Locking the computer when it is not in authorized use
  2. Authorizing the use of only certain software
  3. Storing the software in a secure place
  4. Using passwords to identify authorized users
- 1-52. To learn more about computer security, which of the following instructions should you study?
1. OPNAVINST 5239.1 only
  2. OPNAVINST 5510.1 only
  3. Both OPNAVINSTS 5239.1 and 5510.1
  4. MIL-STD-1355
- 1-53. What type of electromagnetic interference (EMI) causes the majority of EMI problems in digital data equipment?
1. Narrowband
  2. Broadband
  3. Inherent
  4. Natural

- 1-54. Aboard ship, which of the following conditions does NOT have a significant effect in EMI?
1. Grounding of equipment
  2. Interconnecting cables
  3. Location of equipment
  4. Software in use
- 1-55. At a shore-based installation, control of EMI involves the same factors as a shipboard computer system, but with the addition of which of the following other considerations?
1. Terminal operators
  2. Site location only
  3. Soil quality only
  4. Both site location and soil quality
- 1-56. To assist in avoiding or reducing the effects of EMI, you may find guidelines for the proper construction of bonding straps and grounding cables in which of the following publications?
1. OPNAVINST 5510.1
  2. NAVSEA OP 3556
  3. NAVSEA S9507
  4. MIL-STD 1310
- 1-57. The fictional units of a computer are always consistent regardless of the computer's type.
1. True
  2. False
- 1-58. To obtain the most reliable and effective instructions for maintaining a computer, you should refer to which of the following current references?
1. OPNAVINST 5239.1
  2. SECNAVINST 5230.7
  3. The computer's technical manual
  4. Local instructions
- 1-59. A computer's fictional block diagram should provide you with all of the following information except which one?
1. Operational principles
  2. Software compatibility
  3. Signal types and flows
  4. Major functional areas.
- 1-60. What are the three major functional areas of a computer?
1. CPU, I/O, and modem
  2. Memory, I/O, and CPU
  3. Hard disk, modem, and memory
  4. Monitor, memory, and hard disk
- 1-61. The physical layout diagram gives you a picture of all of the following locations or types of computer elements except which one?
1. Module
  2. Console
  3. Assembly
  4. Signal flow
- 1-62. What are the four types of physical layouts for computers?
1. Backplane, assembly, cage, and LAN
  2. Cage, motherboard, modular, and desktop
  3. Assembly, rack, backplane, and modular
  4. Chassis, motherboard, mainframe, and desktop
- 1-63. For modular data systems that use multiple configurations, both minimum and fill physical layout configurations will be shown on a physical layout.
1. True
  2. False

- 1-64. In a chassis or assembly type computer, which of the following methods is/are usually used to mount the chassis or assembly?
1. Door mounted only
  2. Slide mounted only
  3. Both door and slide mounted
  4. Backplane mounted
- 1-65. A cage or rack type computer's major functional areas are always contained on one pcb.
1. True
  2. False
- 1-66. Computers that use motherboards usually have a total of how many backplanes or motherboards to contain assemblies and pcb's?
1. One
  2. Two
  3. Three
  4. Four
- 1-67. What layout gives you information on subassemblies or printed circuit boards in each assembly, chassis, or module?
1. Overall physical layout
  2. Overall fictional layout
  3. Individual physical layout
  4. Individual fictional layout
- 1-68. You do not have a need for an individual physical layout diagram in which of the following situations?
1. When you have the overall physical layout diagram
  2. When you have the overall functional layout diagram
  3. When you have the repair memorized
  4. When you never repair the unit
- 1-69. The configuration of a particular computer is normally dictated by which of the following criteria?
1. Type of computer and data system platform
  2. Available power supply and programming needs
  3. Data system platform and projected use of computer
  4. Type of computer and anticipated software installation
- 1-70. A computer's frame usually contains which of the following hardware?
1. The computer only
  2. The power supply only
  3. The computer and the power supply only
  4. The computer, power supply, and cooling hardware
- 1-71. When compared to other types of computer cabinets, what is the largest single advantage of modular frames in addition to mobility?
1. Ruggedness
  2. Adaptability
  3. Ease of installation
  4. Access to control panels
- 1-72. Pcb's are arranged in which of the following ways inside a chassis?
1. In close proximity and in square blocks
  2. In close proximity and in rows
  3. Spread out and in rows
  4. Spread out and on opposite sides of the cabinet

1-73. Motherboard-designed computers have which of the following features as their primary design feature?

1. Portability
2. Ruggedness
3. Shipboard use
4. Tactical use

1-74. It is easier to maintain computers that have motherboards for which of the follow reasons?

1. The cabinet need not be removed
2. The power need not be secured
3. The computer's small size and ease of component accessibility
4. All of the above

1-75. What two features used in or on a cabinet provide limited protection for a computer?

1. Gaskets and filters
2. Surge protectors and shock reducers
3. Insulating material and grounding wires
4. External power source and RF interference adapters

# ASSIGNMENT 2

Textbook Assignment: “Computer Configuration and Hardware,” chapter 2—continued, pages 2-13 to 2-27; “Computer Operator Controls and Controlling Units,” pages 3-1 through 3-15.

---

- 2-1. How do manufacturers key subassemblies to avoid incorrect installation?
1. They tag the subassembly with the connect location
  2. They write the location on the part with indelible ink
  3. They make the designation very clear in the technical manual
  4. They cut a slot in the side of the pcb or put plastic sheeting on one or more connector pins
- 2-2. All subassemblies are repairable at the work station.
1. True
  2. False
- 2-3. The majority of a computer’s functional areas consists of which of the following components?
1. Motherboards
  2. Power drivers
  3. Random access memories
  4. Printed circuit boards
- 2-4. What factor determines the number of printed circuit boards required for a particular computer?
1. Type of computer
  2. Portability of computer
  3. Accessibility of one computer to another computer
  4. Danger of electronic emissions near the work station
- 2-5. The arrangement of pcb’s in a computer is dictated by which of the following factors?
1. Type of computer
  2. Purpose of the computer
  3. Location of the computer
  4. Software programs to be used
- 2-6. Keying pcb’s is done for which of the following reasons?
1. To ensure that the pcb is inserted correctly only
  2. To ensure that a different card type is not inserted into an incorrect slot only
  3. To ensure that the pcb is inserted correctly and to ensure that a different card type is not inserted into an incorrect slot
  4. To facilitate ease of location in an emergency situation
- 2-7. You should know the color codes of pcb’s. You will find these color codes explained in which of the following publications?
1. NEETS, Module 3
  2. NEETS, Module 4
  3. NEETS, Module 19
  4. NEETS, Module 21
- 2-8. LEDs are used for which of the following maintenance functions on pcb’s?
1. To test voltage levels
  2. To test waveforms
  3. To tell when equipment is operating abnormally
  4. Each of the above



2-9. Which of the following publications provides a listing for standard external interfaces?

1. MIL-STD-2000
2. MIL-STD-2036
3. NEETS, Module 4
4. NEETS, Module 24

2-10. Which of the following documents provide(s) maintenance information on connectors and cables?

1. Computer technical manuals
2. EIMB, Installation Standards, NAVSEA0967-LP-000-0110
3. Both 1 and 2 above
4. MIL-STD-2036

2-11. Connector receptacles are also known as what?

1. Printed circuit boards
2. Subassemblies
3. Modules
4. Jacks

2-12. Mating of a connection only includes electrical pins and contacts or pcb card-edge.

1. True
2. False

2-13. A rectangular connector's electrical contacts or pins may have which of the following characteristics?

1. Be male or female, flat or oval
2. Be male or female, round or flat
3. Be male or female, round or oval
4. Be oval, round, or rectangular

- |   |
|---|
| <ol style="list-style-type: none"><li>A. Single-piece pcb or card edge</li><li>B. Two-piece plug and receptacle pcb</li><li>C. Rectangular multipin</li><li>D. Circular multipin</li><li>E. Coaxial</li></ol> |
|---|

Figure 2A.—Connector architecture.

IN ANSWERING QUESTIONS 2-14 THROUGH 2-19, SELECT FROM FIGURE 2A THE TYPE OF CONNECTOR ARCHITECTURE DESCRIBED IN THE QUESTION.

2-14. Which item can contain more than 100 pins and contacts?

1. A
2. B
3. C
4. E

2-15. MTIDC or IDC are included in all except which of the following connectors?

1. A
2. B
3. C
4. F

2-16. Telephone jacks connectors can be used to connect a conductor to which connector?

1. A
2. C
3. D
4. F

2-17. Contacts or pins on plugs or receptacles are male or female except on which of the following connectors?

1. B
2. C
3. D
4. F

- 2-18. Provisions for shielding against shock and vibration can be on all except which of the following connectors?
1. A
  2. C
  3. D
  4. E
- 2-19. Hardware is used to secure which of the following connections and provide stability against shock and vibration?
1. C
  2. D
  3. E
  4. F
- 2-20. Internal connectors are used inside the computer for which of the following reasons?
1. To connect the computer to a display system
  2. To provide power to the computer only
  3. To interconnect major individual units inside the computer only
  4. To interconnect major individual units inside the computer and provide power to the computer
- 2-21. What precaution should you use when making connections for pcb's, modules, or subassemblies?
1. Secure the power to the computer and ensure the receptacle and plug match
  2. Ensure that the receptacle or plug has guide pins
  3. Force the connection
  4. Both 2 and 3 above
- 2-22. Which of the following documents can be used to find the signal names used by a computer?
1. The wire listings only
  2. The computer's prints only
  3. The description of a pcb only
  4. The computer's wire listings, prints, and/or a description of each pcb
- 2-23. Internal conductors can only take mass data and route it for distribution throughout the computer.
1. True
  2. False
- 2-24. To make effective use of limited space, what item is used to neatly organize conductor bundles internally?
1. Lacings
  2. Spot ties
  3. Wiring harnesses
  4. Self-clinching straps
- 2-25. To secure the wires contained in a wire harness, which of the following items may be used?
1. Lacings only
  2. Spot tying only
  3. Self-clinching straps only
  4. Lacings, spot tying, and self-clinching straps
- 2-26. If a conductor is partially replaced or completely replaced, a different grade (AWG) and type of conductor can be used.
1. True
  2. False

2-27. In addition to securing power to the computer, what other precaution, if any, should be exercised when you are disconnecting and reconnecting power and data connections?

1. Follow the proper tag-out procedures
2. Document your actions in the computer room pass down log
3. Back up the data to a floppy or hard drive
4. None; no precautions are needed

2-28. The power requirements for all computers are identical regardless of where the computers are used.

1. True
2. False

2-29. To help mate connector receptacles and plugs properly, which of the following methods may be used?

1. Keying only
2. Physical shape only
3. Keying and physical shape

- |  |
|--|
| <ol style="list-style-type: none"><li>A. Flat</li><li>B. Ribbon</li><li>C. Twisted component or multiconductor</li><li>D. Coaxial</li><li>E. Fiber optic</li></ol> |
|--|

**Figure 2B.—Cable architecture.**

IN ANSWERING QUESTIONS 2-30 THROUGH 2-34, SELECT FROM FIGURE 2B THE TYPE OF CABLE ARCHITECTURE THAT BEST MATCHES THE DESCRIPTION IN EACH QUESTION.

2-30. Conductors are separated by the dielectric core.

1. A
2. B
3. C
4. D

2-31. Can be terminated with card-edge connectors or IDCs.

1. B
2. C
3. D
4. E

2-32. Can have up to 120 conductors.

1. A
2. B
3. C
4. D

2-33. Capable of transmitting a 20-Mhz signal with minimum loss and no distortion.

1. A
2. B
3. C
4. D

2-34. Used for serial transfer of data only.

1. D only
2. E only
3. D and E
4. A, B, and C

2-35. What is the most critical piece of equipment in any data system?

1. Memory
2. Computer
3. Connector
4. Disk drive

- 2-36. In cooling systems, what four methods of cooling are used?
1. Convection, forced air, air-to-air, and air-to-liquid
  2. Forced air, air-to-air, microwaved, and convection
  3. Air-to-liquid, air-to-air, microwaved, and forced air
  4. Air-to-air, forced air, external fan-blown, and convection
- 2-37. What type of operator control is used to alter the speed of an internal computer clock or vary the intensity of indicators?
1. Thumbwheel switch
  2. Potentiometer
  3. Pushbutton
  4. Mouse
- 2-38. To provide status information to the computer operator, which of the following devices may be used?
1. Dot matrix display only
  2. Light-emitting diodes only
  3. Dot matrix display and light-emitting diodes
  4. Mouse devices
- 2-39. What is the simplest way to show the status of an operation or the selection of an item?
1. Send a message to a printer
  2. Send a message to disk
  3. Turn on a light
  4. Sound an alarm
- 2-40. All of the following are types of indicators except which one?
1. Backlit
  2. Opaque
  3. Clear
  4. Color
- 2-41. Protective devices can serve as controls.
1. True
  2. False
- 2-42. To protect from accidental activation of selected keys and switches, what device is used with selected keys and switches?
1. Horn
  2. Guard
  3. Circuit breaker
  4. Light-emitting diode
- 2-43. Switches have which of the following functions?
1. To activate a function
  2. To turn a unit on/off
  3. To set a parameter
  4. Each of the above
- 2-44. A key switch you depress to activate a function and depress again to deactivate the function is called a/an
1. momentary-action key switch
  2. alternate-action key switch
  3. three-position key switch
  4. on/off key switch
- 2-45. A key that repeats the function continuously while being held down is which of the following types of keys?
1. Momentary-action key
  2. Alternate-action key
  3. Toggle key
  4. On/off key

- 2-46. Switches that have several positions the operator can select by turning a knob are which of the following types of switches?
1. Rotary switches
  2. Pushbutton switches
  3. Alternate-action toggle switches
  4. Momentary-action toggle switches
- 2-47. All of the following are characteristics of thumbwheel switches except which one?
1. They have alphanumeric characters built in
  2. Each position is locked until another position is selected
  3. The position values are usually marked on the controlling unit cover
  4. The positions are selected by dialing the switch
- 2-48. Pushbutton switches may not have indicators.
1. True
  2. False
- 2-49. On toggle switches, which of the following can be uses of the neutral position?
1. Interact with software
  2. Set a parameter
  3. Disable a locked up/down position
  4. Each of the above
- 2-50. Alternate-action toggle switches may have which of the following positions?
1. Permanent up and return to neutral only
  2. Permanent up and down only
  3. Either permanent up and return to neutral or permanent up and down, depending on design
  4. On and off
- 2-51. Momentary-action/contact, two-position toggle switches are normally used for which of the following purposes?
1. To turn the unit on
  2. To initiate an operation
  3. To provide status information
  4. To turn the unit off
- 2-52. On a three-position toggle switch, the center position may be used for which of the following purposes?
1. To set a parameter only
  2. To disable the locked up/down position only
  3. Either to set a parameter or to disable the locked up/down position, depending on the function
  4. To provide status information
- 2-53. You should expect to find all of the following types of information about controlling units in the technical manuals and owner's manuals of your system except which one?
1. General description of the unit
  2. Tables and figures to describe each control and indicator
  3. Circuit diagrams with information for maintenance
  4. Manufacturing specifications and design requirements
- 2-54. In addition to operational programs, what other type of programs will you be using to perform preventive maintenance?
1. Diagnostic programs
  2. Applications programs
  3. Word processing programs
  4. Database management programs

- 2-55. Information about each control and indicator will include all except which of the following information?
1. Name
  2. Type
  3. Date installed
  4. Function and use
- 2-56. In addition to providing power indicators, which of the following other important functions do power/temperature panels provide?
1. Notify you of an overtemperature condition
  2. Enable you to modify the temperature setting for efficient operation
  3. Both 2 and 3 above
  4. Shut down the system automatically when an overtemperature condition is reached
- 2-57. From the operator panel you can perform all of the following functions except which one?
1. Initiate computer operations
  2. Monitor computer operations
  3. Put the computer in battle short condition
  4. Power up/down individual designated modules
- 2-58. Built-in test (BIT) controls and indicators are included on which of the following panels?
1. Operator panel
  2. Power/temperature panel
  3. Control and maintenance panel
  4. Each of the above
- 2-59. During operation and maintenance, all of the following are computer monitoring capabilities from a control and maintenance panel (CMP) except which one?
1. Software availability
  2. Hardware availability
  3. Switch settings
  4. Jump stops
- 2-60. The ac plasma part of a display control unit has which of the following functions?
1. Provides you operational information
  2. Provides you corrective maintenance information
  3. Interfaces with the CPU/IOC and memory
  4. Both 2 and 3 above
- 2-61. A built-in microprocessor with five levels of controls and indications for loading and initiating operations, monitoring operations, status indications, operator interfacing, and self-testing is part of what type of controlling unit?
1. Maintenance console unit
  2. Computer control panel
  3. Display control unit
  4. Operator panel
- 2-62. To perform diagnostics on a computer, what type of controlling unit enables you to use a data terminal and diagnostics stored on a magnetic tape?
1. Operator panel
  2. Maintenance console
  3. Display control unit
  4. Computer control panel

- 2-63. From a computer control panel, you can perform which of the following types of monitoring?
1. Operational program status only
  2. Display registers only
  3. Switch settings only
  4. Switch settings, display registers, and computer operations
- 2-64. What controlling unit enables you to operate the computer set under expanded and varied conditions, at various operating speeds, and in various operating modes?
1. Operator panel
  2. Maintenance console
  3. Power/temperature panel
  4. Computer control unit
- 2-65. When you manually interface with the CPU and IOC for software enhancement, what is the name of the function you are performing?
1. Diagnostic programming
  2. Operator programming
  3. Inspect and change
  4. Casualty control
- 2-66. A keyboard will be your primary device for controlling what type of computer, if any?
1. Mainframe
  2. Minicomputer
  3. Microcomputer
  4. None; keyboards are not used to control computers
- 2-67. On a microcomputer, what is the primary method used to provide information to you?
1. Printer
  2. Monitor
  3. Light-emitting diodes
  4. Indicator lights on the keyboard
- 2-68. The meanings of function keys and control keys can be assigned in which of the following ways?
1. By the computer hardware manufacturer only
  2. By the computer program only
  3. By the operating system only
  4. By both the computer program and the operating system
- 2-69. In addition to the keyboard, what other device may you use as a controlling device with the monitor to control the operations of a microcomputer?
1. Mouse
  2. Key switch
  3. Rotary switch
  4. Toggle switch
- 2-70. Of the following devices, which one can provide both input to a computer and output from a computer?
1. Mouse
  2. Printer
  3. Teletype
  4. Keyboard
- 2-71. A teletype is composed of which of the following components?
1. Printer only
  2. Keyboard only
  3. Printer and keyboard only
  4. Printer, keyboard, and monitor

2-72. From remote consoles and remote operator control units, you may be able to perform all except which of the following functions?

1. Power the computer set up/down
2. Initiate computer operations
3. Monitor computer status
4. Perform self-testing



# ASSIGNMENT 3

Textbook Assignment: "Computer Components and Circuits," chapter 4, pages 4-1 through 4-23.

---

- 3-1. A computer has a total of how many states in its binary system?
1. One only
  2. Two only
  3. Three only
  4. Four
- 3-2. The digital functions and operations of a computer are based upon what mathematical concept?
1. Calculus
  2. Trigonometry
  3. Logic algebra
  4. Plane geometry
- 3-3. You have been assigned to maintain a set of computers. What must you understand about the computers to successfully accomplish your assignment?
1. What comprises the computer's components
  2. How the components makeup the computer's fictional areas
  3. How to determine if a particular component is malfunctioning
  4. All of the above
- 3-4. On input data, a computer performs which of the following types of general functions?
1. Calculus only
  2. Geometric only
  3. Trigonometric and geometric only
  4. Arithmetic and logical
- 3-5. What basis is used to determine the logic circuits to be used in a particular computer?
1. The computer's requirements
  2. The skills of the operator
  3. The computer's location
  4. The software to be used
- 3-6. Which publication lists standard microcircuits?
1. NEETS, Module 7
  2. NEETS, Module 14
  3. ANSI/IEEE 91-1984
  4. MIL-STD-1562
- 3-7. Which of the following publications discusses Boolean algebra?
1. NEETS, Module 9
  2. NEETS, Module 13
  3. NEETS, Module 19
  4. MIL-M-38510
- 3-8. To study wave-generation, you should refer to which of the following publications?
1. NEETS, Module 9
  2. NEETS, Module 19
  3. ANSI/IEEE 91-1984
  4. ANSI/IEEE 991-198
- 3-9. Standard graphic symbols for logic functions are found in which of the following publications?
1. NEETS, Module 7
  2. NEETS, Module 14
  3. ANSI/IEEE 91-1984
  4. MIL-M-38510

3-10. The octal and hexadecimal number systems are the most popular derivatives used today by digital computers. From what number system are they derived?

1. Roman
2. Arabic
3. Decimal
4. Binary

IN ANSWERING QUESTIONS 3-11 AND 3-12, REFER TO FIGURE 4-1 ON PAGE 4-3 IN THE TRAMAN.

3-11. The octal number 14 is what in (a) decimal, (b) binary, and (c) hexadecimal?

1. (a) 12 (b) 01110 (c) 14
2. (a) 12 (b) 01100 (c) C
3. (a) 14 (b) 01100 (c) 14
4. (a) 14 (b) 01110 (c) E

3-12. The decimal number 16 is what in (a) binary, (b) octal, and (c) hexadecimal?

1. (a) 1000 (b) 18 (c) F
2. (a) 1000 (b) 20 (c) 10
3. (a) 10000 (b) 16 (c) 16
4. (a) 10000 (b) 20 (c) 10

3-13. In Boolean algebra, what are the two logic levels?

1. 1 and 0
2. 1 and 2
3. 2 and 0
4. 2 and 3

3-14. Which of the following combinations represents the three basic logic gates used in building the combinational and sequential digital logic circuits?

1. OR, BUT, ALSO
2. AND, OR, NOT
3. NOT, NEITHER, NOR
4. AND, BUT, OR

3-15. Modern computers rely on what type of circuits?

1. Balanced
2. Monophase
3. Integrated
4. Multipoint

3-16. Integrated circuits provide what three major advantages?

1. High reliability, low cost, and accessibility
2. Low cost, small size, and high reliability
3. Portability, accessibility, and reliability
4. Small size, low cost, and portability

3-17. For which of the following reasons are integrated circuits packaged in various sizes?

1. Number of leads
2. Color coding
3. Size of chip
4. Key coding

3-18. What scale of integration has 10 to 100 gates?

1. Small scale
2. Medium scale
3. Large scale
4. Very large scale

3-19. What factor determines the integration size of an integrated circuit package?

1. The number of chips
2. The types of leads
3. The number of gates
4. The types of keying

3-20. Integrated circuits that combine the technology of bipolar and metal-oxide semiconductors are referred to as what type of circuit?

1. Unipolar
2. Bipolar
3. BIMOS
4. MOS

3-21. Most of a computer's integrated circuits are digital.

1. True
2. False

3-22. To process and store information in a computer's memory, what category of circuit is used?

1. MOS only
2. Bipolar only
3. Digital
4. Linear

3-23. Bipolar integrated circuits include all of the following components except which one?

1. ECL
2. ALS
3. TTL
4. TTLC

3-24. Which of the following components is NOT a part of a MOS integrated circuit?

1. DTL
2. TTLC
3. CMOS
4. HCMOS

3-25. In the determination of whether a computer's logic level is negative or positive, what is the relationship of the two voltages?

1. They are relative to each other
2. They are independent of each other
3. They intermesh with each other
4. One is dominant; the other subordinate

IN ANSWERING QUESTIONS 3-26 THROUGH 3-28, SELECT FROM THE FOLLOWING LIST THE TERM DESCRIBED IN EACH QUESTION.

1. Pulse width
2. Pulse-repetition time
3. Pulse-duration modulation
4. Pulse-repetition frequency

3-26. The time period from a repeating waveshape's starting point until the next starting point.

3-27. The time interval between specified reference points on the leading and trailing edges of a waveform.

3-28. The number of times per second that a signal's complete cycle occurs.

GIVEN: A DIGITAL WAVESHAPES HAS A PRT OF 25  $\mu$ sec AND A NEGATIVE PW OF 15  $\mu$ sec.

Figure 3A.—Example statement.

IN ANSWERING QUESTIONS 3-29 AND 3-30, REFER TO FIGURE 3A.

3-29. What is the value of the positive PW?

1. 6  $\mu$ sec
2. 8  $\mu$ sec
3. 10  $\mu$ sec
4. 12  $\mu$ sec

- 3-30. What is the value of the PRF?
1. 37 kHz
  2. 40 kHz
  3. 43.5 kHz
  4. 47.5 kHz
- 3-31. What is the basic building block for combinational digital circuits?
1. Diodes
  2. Capacitors
  3. Flip-flops
  4. Logic gates
- 3-32. What is the basic building block for sequential circuits?
1. Resistors
  2. Conductors
  3. Flip-flops
  4. Logic gates
- 3-33. Logic gates perform decision-making functions throughout the computer.
1. True
  2. False
- 3-34. Which of the following is another term for flip-flops?
1. Unistable multivibrators only
  2. Bistable multivibrators only
  3. Tristable multivibrators only
  4. Multivibrators
- 3-35. What are the four types of flip-flops?
1. J-K, set, open, closed
  2. Toggle, data, reset-set, J-K
  3. Reset-set, data, continuous, open
  4. Open, continuous, closed, toggle

- 3-36. Decision-making functions are composed primarily of which of the following components?
1. Combinational gates
  2. Bistable multivibrators
  3. Sequential digital circuits
  4. Independent linear circuits

- A. Adder and subtracter circuits
- B. Command signal circuits
- C. Comparator circuits
- D. Demultiplexer circuits
- E. Selector circuits
- F. Translator circuits

**Figure 3B.—Data routing circuits.**

IN ANSWERING QUESTIONS 3-37 THROUGH 3-44, SELECT FROM FIGURE 3-B THE DATA ROUTING CIRCUIT DESCRIBED IN THE QUESTION.

- 3-37. Which circuits provide the enable to route data between circuits?
1. A
  2. B
  3. E
  4. F
- 3-38. Which circuits are used with shift registers and holding registers to perform hyperbolic and trigonometric functions?
1. A
  2. B
  3. C
  4. D

- 3-39. Which circuits can change machine octal codes into function codes?
1. C
  2. D
  3. E
  4. F
- 3-40. Which circuits expand the number of input data paths to a register?
1. A
  2. C
  3. E
  4. F
- 3-41. Which circuits are capable of performing square root when used with shift and holding registers?
1. A
  2. C
  3. D
  4. F
- 3-42. Which circuits can select an address?
1. B
  2. D
  3. E
  4. F
- 3-43. Which circuits can be used to compare incoming binary numbers after mathematical operations have been performed?
1. B
  2. C
  3. D
  4. F
- 3-44. Which circuits route data from one input to any one of several outputs?
1. A
  2. D
  3. E
  4. F
- 3-45. Memory-type functions are accomplished by what type of circuit?
1. Linear
  2. Bipolar
  3. Sequential
  4. Combinational
- 3-46. Counters can only be used in parallel operations.
1. True
  2. False
- 3-47. Counters are used for which of the following functions?
1. For counting operations and quantities only
  2. For counting periods of time only
  3. For addressing information in storage only
  4. For counting operations, quantities, and periods of time; and for addressing information in storage
- 3-48. What items constitute a register?
1. Numbers of circuits
  2. Groups of flip-flops
  3. Numbers of logic gates
  4. All of the above

- 3-49. The length of a register is determined by what factor?
1. The function it performs
  2. The type of logic the computer uses
  3. The number of bits (flip-flops) grouped together
  4. The number system the computer uses: octal or hexadecimal
- 3-50. There are two types of registers most commonly used in computers. Which of the following terms refer to these registers?
1. Memory and backup
  2. Storage and shift
  3. Backup and memory
  4. Storage and backup
- 3-51. What type of storage register, if any, does NOT alter the contents?
1. General
  2. Specialized
  3. Subject-specific
  4. None; all storage registers can alter their contents
- 3-52. In what transfer method is the receiving register cleared of its contents before a transfer occurs?
1. Single-line parallel
  2. Double-line parallel
  3. Complement
  4. Displaced
- 3-53. Of the following transfer methods used with registers, which one is the fastest?
1. Complement method
  2. Displaced method
  3. Direct method
  4. Forced method
- 3-54. What register can handle information in serial and parallel form?
1. Complement
  2. Storage
  3. Backup
  4. Shift
- 3-55. In linear circuits, the graph of output versus input approximates which of the following types of lines?
1. Wavy
  2. Arced
  3. Zigzag
  4. Straight
- 3-56. DMOS and bipolar technology is known by what acronym?
1. BIFET
  2. BIDFET
  3. BIDMOS
  4. MOSFET
- 3-57. The basic gate for a linear integrated circuit is a/an
1. operational amplifier
  2. diffuser
  3. catalyst
  4. conductor
- 3-58. An inverting input of an op amp provides what degree of phase shift at the output?
1. 150
  2. 180
  3. 210
  4. 315

- 3-59. All of the following types of circuits are part of a computer's linear integrated circuits except which one?
1. Digital circuits
  2. Driver integrated circuits
  3. Regulator integrated circuits
  4. Analog signal conversion circuits
- 3-60. Which of the following circuits detect overtemperature conditions?
1. Timers
  2. Analog converters
  3. Digital converters
  4. Comparators, voltage regulators, and switching regulators
- 3-61. Which of the following circuits can be used to produce an astable multivibrator?
1. Timers
  2. Comparators
  3. Switching regulators
  4. Analog to digital converters
- 3-62. All of the following are classifications of systems interface circuits of a computer except which one?
1. Line drivers, receivers
  2. Sense amplifiers, memory drivers
  3. Peripheral and display drivers
  4. Timers and analog-to-digital converters
- 3-63. Information is written into magnetic memories by which of the following drivers?
1. Line
  2. Memory
  3. Display
  4. Peripheral
- 3-64. Display drivers use what type of input and output application?
1. Single
  2. Dual
  3. Trifold
  4. Multiple
- 3-65. In the transmission of digital signals over short distances, which of the following types of line drivers and receivers are used?
1. Peripheral
  2. Differential only
  3. Single-ended only
  4. Either differential or single-ended, depending on the design
- 3-66. For high-speed, long distance communications, which of the following types of drivers is/are used?
1. Single-ended only
  2. Differential only
  3. Both single-ended and differential
  4. Basic wire cables
- 3-67. Timing circuits are used in a computer for which of the following reasons?
1. To keep track of calendar and clock times
  2. To automatically make backup copies of data
  3. To properly enable and disable circuits at specific times
  4. To automatically disengage the computer if it becomes too hot

3-68. A program has been installed and the computer is operating. The enabling and disabling circuits will stop operating under each of the following conditions except which one?

1. Fault condition occurs
2. Programmed stop is reached
3. Program completion is reached
4. Instructions are executing

3-69. The master clock in a computer is the key to the computer's timing circuits. Master clocks usually operate at a frequency or pulse-repetition rate determined by which of the following factors?

1. The maximum speed of the operator
2. The minimum speed of the operator
3. The minimum rate the computer can handle data
4. The maximum rate the computer can handle data

3-70. In computer timing circuits, what is the most important reason for using oscillators?

1. Their output characteristics
2. Their frequency stability
3. Their phase processing
4. Their speed

IN ANSWERING QUESTIONS 3-71 THROUGH 3-74, SELECT FROM THE FOLLOWING LIST THE TYPE OF MULTIVIBRATOR DESCRIBED BY THE PHRASE IN EACH QUESTION.

1. Monostable
2. Bistable
3. Astable

3-71. The multivibrator that is also referred to as a one-shot multivibrator.

3-72. The multivibrator that counts clock pulses.

3-73. The multivibrator also known as a free-running multivibrator.

3-74. The multivibrator used to enable logic gates.

3-75. A single-phase clock system has what types of multivibrators?

1. Monostable and bistable
2. Bistable and astable
3. Monostable and astable
4. Astable and multistable



# ASSIGNMENT 4

Textbook Assignment: "Computer Components and Circuits," chapter 4—continued, pages 4-24 through 4-31; "Central Processing Units and Buses," chapter 5, pages 5-1 through 5-10.

---

- 4-1. Which of the following are the types of data elements that can be processed by a computer?
1. Bits and bytes only
  2. Bytes and single words only
  3. Bits, bytes, and single words only
  4. Nibbles, words, double words, bytes, and bits
- 4-2. What data element is normally the same size as the computer's registers?
1. Bit
  2. Nibble
  3. Word
  4. Double word
- 4-3. What is the purpose of a computer's power supply?
1. To supply dc voltage
  2. To convert ac voltage from a source to useable dc voltage(s)
  3. To convert dc voltage(s) from a source to a useable ac voltage(s)
  4. To supply ac voltage
- 4-4. Characteristics of a power supply include all of the following except which one?
1. Provide precision voltages
  2. Protect the computer from serious damage
  3. Supply regulated ac voltages
  4. Sense irregular inputs and outputs
- 4-5. What are the major sections of a computer's power supply?
1. Amplifier, rectifier, filter, and regulator
  2. Transformer, generator, filter, and regulator
  3. Transformer, rectifier, filter, and regulator
  4. Transformer, rectifier, filter, and transmitter
- 4-6. The computer can only handle one specified input voltage and frequency.
1. True
  2. False
- 4-7. Aboard ship, distribution of computer input power is via which of the following means?
1. Outlets only
  2. Load centers only
  3. Power panels only
  4. Outlets, load centers, and power panels
- 4-8. Mainframe and minicomputers aboard ship and ashore are preset to only receive the specific input line voltage needed.
1. True
  2. False

- 4-9. Aboard ship, what document provides the specific voltage and frequency values as well as the location of your computer's power?
1. MIL-STD-1399
  2. MIL-HDBK-411
  3. Ship's electronics doctrine
  4. MIL-HDBK-263
- 4-10. For referencing input power ashore, which of the following documents should you use?
1. MIL-STD-1399, Section 300A
  2. MIL-STD-480
  3. MIL-HDBK-411
  4. Each of the above
- 4-11. For referencing input power aboard ship, which of the following documents should you use?
1. MIL-STD-1399, Section 300A
  2. MIL-STD-480
  3. MIL-HDBK-411
  4. Each of the above
- 4-12. Where does the input line voltage go before it is received by the transformer section of the computer's power supply?
1. To the rectifier section
  2. To the ON/OFF switch
  3. To the blower fan
  4. To the filter section
- 4-13. Isolates power supply from the input line voltage.
- 4-14. Provides regulated power to additional circuits for further filtering and/or conversion.
- 4-15. Converts ac input signal to pulsating dc voltage or ripple.
- 4-16. Steps up input line voltage.
- 4-17. Output of power supply is maintained at a constant level.
- 4-18. Necessary power for bus system terminating resistors.
- 4-19. Removes pulsating dc ripple and produces a useable dc voltage.
- 4-20. Provides dc power to backplane wire harness, and to remote, operator, and maintenance consoles.
- 4-21. The voltage levels and logic convention for mainframe and minicomputers are identical.
1. True
  2. False
- 4-22. The output of the computer's power supply can be distributed by which of the following sections?
1. Rectifier only
  2. Regulator only
  3. Both rectifier and regulator
  4. Filter

IN ANSWERING QUESTIONS 4-13 THROUGH 4-20, SELECT THE POWER SUPPLY SECTION THAT MATCHES THE CHARACTERISTIC DESCRIBED IN EACH QUESTION.

1. Regulator
2. Rectifier
3. Filter
4. Transformer

4-23. The power supply must protect the computer from which of the following elements?

1. Incoming power
2. Distributed power
3. Internal cabinet and/or module temperature
4. All of the above

4-24. A power supply will shut off while the computer is running under what condition(s), if any?

1. A low overtemperature condition
2. A high overtemperature condition only
3. A high overtemperature condition and an overcurrent condition
4. None

IN ANSWERING QUESTIONS 4-25 THROUGH 4-31, SELECT FROM THE FOLLOWING LIST THE SIGNAL GENERATED UNDER THE SPECIFIC CONDITION DESCRIBED IN EACH QUESTION.

1. POWER INTERRUPT (PI)
2. MASTER CLEAR (MC), AUTOMATIC
3. STOP

4-25. Used for computer initialization after power has been applied.

4-26. Source power falls below specifications and returns to normal.

4-27. Generates a class I interrupt.

4-28. Logic power goes out of tolerance.

4-29. Source power is lost or computer cabinet is shut off.

4-30. Generated a specific period after a PI occurs.

4-31. Prevents loss of memory data if logic power is lost faster than normal turn-off sequence can occur.

4-32. To indicate that power requirements have been met, what digital active signals are generated by a microcomputer's power supply?

1. LEDs only
2. Ac only
3. Dc only
4. Ac and dc

4-33. To provide protection to the computer, which of the following devices are placed in line with the power source?

1. Compensators only
2. Line conditioners only
3. Surge protectors only
4. Compensators, line conditioners, and surge protectors

4-34. Which of the following protective devices provide protection against brownouts?

1. ABTs
2. Surge protectors
3. Line conditioners only
4. Compensators and line conditioners

4-35. Line conditioners can provide all of the following protection except which one?

1. Suppress over-voltage
2. Filter input power
3. Bridge brownouts
4. Provide ac input voltage

- 4-36. Surge protectors retain their effectiveness with successive surges.
1. True
  2. False
- 4-37. What device allows the computer to execute software during power absences up to 100 ms during transfer of primary power source?
1. UPS
  2. Compensator
  3. ABT
  4. SPS
- 4-38. SPS and UPS are constructed in much the same way except for which feature?
1. Switching circuitry
  2. Power loss is detected
  3. Ac line current is sensed
  4. Power is transferred from one primary source to another
- 4-39. What are the three major functional areas of a computer?
1. CPU, I/O, buses
  2. CPU, memory, power supply
  3. CPU, memory, I/O
  4. CPU, I/O, power supply
- 4-40. Information concerning the logic implementation and interpretation of a specific digital computer would be found in which of the following references?
1. Technical manual
  2. Technical manual and MRC
  3. MRC only
  4. NEETS, Module 13
- 4-41. In which of the following documents would contain the fictional schematics of a digital computer?
1. Technical manual only
  2. Owner's manual only
  3. Either the technical manual or the owner's manual
  4. NEETS, Module 13
- 4-42. Which of the following references contain the test documentation and procedures, test equipment, and tools required to perform corrective maintenance on a specific computer?
1. Technical manual/owner's manual
  2. MRC
  3. Ship's electronics equipment doctrine
  4. CSOSS documentation
- 4-43. Which of the following functional areas provide the means for the CPU, memory, and I/O to communicate with each other?
1. System cables
  2. System buses
  3. System modem
  4. Wire bundles
- 4-44. What two interacting sections comprise the CPU?
1. Control and memory
  2. ALU and memory
  3. Control and ALU
  4. ALU and I/O
- 4-45. All of the following are characteristics of the CPU's control section except which one?
1. Where to store information and who to talk with
  2. How to compute logical solutions
  3. When to start and stop
  4. What to do

- 4-46. The control section may provide the computer with the ability to function under which of the following conditions?
1. Manual control only
  2. Program control only
  3. Manual and program control
  4. Interface control
- 4-47. The control section includes all the following logically designed areas except which one?
1. Timing, and instruction and control
  2. Fixed- and floating-point operations
  3. Memories—control, cache, and read-only
  4. Addressing and interrupts
- 4-48. What logically designed area in the control section regulates the operation of the computer?
1. Instruction and control
  2. Addressing
  3. Interrupts
  4. Timing
- 4-49. What type of timing is used for the execution of instructions stored sequentially in memory?
1. Arithmetic timing
  2. Synchronous operations
  3. Master clock events
  4. Asynchronous operations
- 4-50. Used to trigger a single-shot to enable and disable circuits in the sequence necessary to execute computer operations.
- 4-51. Flip-flops are arranged in a ring counter to count master clock phases.
- 4-52. Used to generate a command enable for sending data from one register to another.
- 4-53. Taps on a delay line oscillator can be used to provide additional phases.
- 4-54. Used to issue a series of commands to perform a particular instruction or operation.
- 4-55. Used to start arithmetic timing and generate command enables used for arithmetic operations.
- 4-56. To keep track of time intervals, which of the following types of timing circuitry can be used?
1. Monitor clock only
  2. Programmable internal timer only
  3. Monitor clock and programmable internal timer
  4. Real-time clock (RTC)
- 4-57. To keep track of real time, which of the following timing circuits can be used?
1. RTC only
  2. Monitor clock only
  3. RTC and monitor clock
  4. RTC and programmable interval timer
- 4-58. Which of the following timing circuits are software/machine instruction controlled?
1. RTC only
  2. Monitor clock only
  3. Programmable interval timer only
  4. RTC, monitor clock, and programmable interval timer

IN ANSWERING QUESTIONS 4-50 THROUGH 4-55, SELECT FROM THE FOLLOWING LIST THE LOGICALLY DESIGNED AREA THAT PERFORMS THE OPERATION AS DESCRIBED IN EACH QUESTION.

1. Master clock
2. Main timing chain
3. Main timing signals
4. Timing sequences

- 4-59. To channel data inside the computer, what type of circuits are primarily used with registers for instruction and control operations?
1. Analog conversion
  2. Data routing circuits
  3. Code converter circuits
  4. Interface circuits
- 4-60. A general-purpose register is also known by what name?
1. Instruction
  2. Accumulator
  3. Program counter
  4. Status indicating
- 4-61. General-purpose registers are generally the same size as the computer's memory word.
1. True
  2. False
- 4-63. Holds the address of the next instruction to be executed.
1. B
  2. C
  3. D
  4. E
- 4-64. Can be used to indicate the status of operations in the computer.
1. B
  2. C
  3. D
  4. E
- 4-65. Outputs of this register are translated into commands for CPU execution.
1. B
  2. C
  3. D
  4. E

- A. Accumulator
- B. Index register
- C. Instruction register
- D. Program counter
- E. Status indicating register

**Figure 4A.—Memory type circuits,**

IN ANSWERING QUESTIONS 4-62 THROUGH 4-68, SELECT FROM FIGURE 4A THE MEMORY TYPE CIRCUIT THAT APPLIES TO THE FUNCTION DESCRIBED IN EACH QUESTION.

- 4-62. Used for address modification and counting.
1. A
  2. B
  3. C
  4. D
- 4-66. Used for temporary storage of data or memory addresses.
1. A
  2. B
  3. C
  4. D
- 4-67. These registers are used with branching condition instructions to change the sequence of instruction execution.
1. A
  2. B
  3. D
  4. E

- 4-68. Enables a single instruction to be used to specify a large number of operands indirectly.
1. A
  2. B
  3. C
  4. D
- 4-69. In the general process of executing a machine instruction, what are the major parts?
1. Write the instruction to memory, update the program counter, translate the instruction, and execute the instruction
  2. Encode the instruction, execute the instruction, update the program counter, and read the instruction from memory
  3. Increment the instruction register, update the program counter, decode the instruction, and execute the instruction
  4. Read the instruction from memory, update the program counter, translate the instruction, and execute the instruction
- 4-70. Which of the following methods can be used to change the sequence of program execution?
1. Stop and jump switches only
  2. Program instructions only
  3. Stop and jump switches and program instructions
- 4-71. Command enables are generated by which of the following parts of the general process of machine instruction execution?
1. Fetch the instruction
  2. Update the program counter
  3. Translate the instruction
  4. Execute the instruction
- 4-72. The computer executes instructions at two level or states. Data bits in what register are used to select the instruction operating levels?
1. The index register
  2. The program counter
  3. The instruction register
  4. The status indicating register
- 4-73. Interrupt processing instructions can be included in which of the following types of programs?
1. Executive function programs
  2. Application programs to solve a fire control solution
  3. Application programs to compute a sonobuoy pattern
  4. Both 2 and 3 above
- 4-74. Which of the following instructions can only be performed in the executive state?
1. Add instructions
  2. Subtract instructions
  3. Privileged instructions that are part of interrupts
  4. Read instructions
- 4-75. What is the purpose of instruction operand addressing?
1. To specify the location of the operand
  2. To tell when to perform the instruction
  3. To tell whereto obtain the instruction
  4. To tell how to obtain the memory address of the instruction

# ASSIGNMENT 5

Textbook Assignment: “Central Processing Units and Buses,” chapter 5—continued, pages 5-13 through 5-23.

---

5-1. The interrupt that occurs with the actual event that caused the interrupt is (a) what type and (b) what will be the status of the condition of the process or program after the interrupt is processed?

1. (a) Asynchronous  
(b) Different conditions will exist
2. (a) Asynchronous  
(b) The exact same conditions will exist
3. (a) Synchronous  
(b) Different conditions will exist
4. (a) Synchronous  
(b) The exact same conditions will exist

5-2. What type of interrupt occurs (a) when there is an error in a peripheral device and (b) when I/O operations are terminated?

1. (a) External (b) internal
2. (a) External (b) external
3. (a) Internal (b) internal
4. (a) Internal (b) external

5-3. In a microcomputer, an interrupt from an internal hard disk can be masked out by the computer.

1. True
2. False

5-4. In microcomputers, which of the following methods can be used to direct the processor to the address of the interrupt of a maskable interrupt?

1. An interrupt code only
2. A ROM lookup table only
3. A ROM/PROM lookup table only
4. An interrupt code and a ROM/PROM lookup table

IN ANSWERING QUESTIONS 5-5 THROUGH 5-11, SELECT FROM THE FOLLOWING LIST THE INTERRUPT CLASS THAT MATCHES THE CONDITION OR PRIORITY DESCRIBED IN EACH QUESTION.

1. Class I
2. Class II
3. Class III
4. Class IV

5-5. An RTC overflow has occurred.

5-6. An intercomputer timeout has occurred.

5-7. The highest priority interrupt that can occur in the computer.

5-8. A power out of tolerance has occurred.

5-9. The computer will execute a power failure processing routine.

5-10. An input chain interrupt has occurred.

5-11. An illegal op code has been executed in the CPU.



- 5-12. Lower level interrupts can be disarmed and/or armed by software.
1. True
  2. False
- 5-13. All of the following interrupts cannot usually be locked out by software except which one?
1. Power fault
  2. External interrupt
  3. CPU instruction fault
  4. IOC instruction fault interrupt
- 5-14. In newer computers, which of the following methods can be used to retain multiple interrupt codes of the same class?
1. Interrupt stack only
  2. Interrupt queue only
  3. Both interrupt stack and queue
  4. Index registers
- 5-15. For an interrupt signal in a particular class to be indicated to the CPU, what minimum number of interrupts must be present?
1. One
  2. Two
  3. Three
  4. Four

- A. Terminate current program execution
- B. Lock out all interrupts
- C. Store program and register data
- D. Retrieve interrupt processor data
- E. Enter executive state and enable desired interrupts
- F. Execute interrupt processor program
- G. Return to original process

**Figure 5-A.—Interrupt handling process steps,**

IN ANSWERING QUESTIONS 5-16 THROUGH 5-23, REFER TO FIGURE 5-A ABOVE AND FIGURE 5-9 ON PAGE 5-13 OF THE TRAMAN. SELECT THE MOST APPROPRIATE INTERRUPT HANDLING PROCESS STEP FOR THE PROCESS DESCRIBED IN EACH QUESTION.

- 5-16. New interrupts are locked out to protect the integrity of the process that ensures returning to the same conditions after processing the interrupt.
1. A
  2. B
  3. C
  4. D
- 5-17. The step in which the interrupt process will be initiated.
1. A
  2. B
  3. C
  4. D

- 5-18. In newer computers, a separate register set for each task and executive state is used, and these registers are disabled and the contents protected until the appropriate state is entered.
1. A
  2. B
  3. C
  4. D
- 5-19. The computer enters the required executive state and enables the interrupts that in turn interrupt the interrupt processor after the status registers are loaded.
1. B
  2. C
  3. D
  4. E
- 5-20. The new executive state registers are loaded with the interrupt processor program data after the register data is saved.
1. B
  2. C
  3. D
  4. E
- 5-21. The current process's register data is stored with at least the contents of the program counter and status register(s).
1. A
  2. B
  3. C
  4. D
- 5-22. The first instruction of an interrupt routine is executed after sampling interrupt code words.
1. D
  2. E
  3. F
  4. G
- 5-23. The program counter and status register(s) is/are reloaded with the saved data. The next instruction, prior to the interrupt (instruction 4), is called up by the program counter.
1. D
  2. E
  3. F
  4. G
- 5-24. It requires less time to access control memory than to access main memory.
1. True
  2. False
- 5-25. Where is cache memory usually located in a computer?
1. In main memory
  2. In the I/O section
  3. Between the CPU's control and ALU sections
  4. Between main memory and the CPU
- 5-26. For rapid data transfers, what two types of semiconductor devices are usually used by cache memories?
1. Bipolar DRAMs and MOS SRAMs
  2. Bipolar SRAMs and bipolar DRAMs
  3. MOS SRAMs and MOS DRAMs
  4. MOS DRAMs and bipolar SRAMs

5-27. In terms of access and capacity of a cache memory, a cache memory is usually on the order of one magnitude       (a)       (slower; faster) than main memory and its capacity is two orders of magnitude       (b)       than main memory. (less; more)

1. (a) Slower (b) less
2. (a) Slower (b) more
3. (a) Faster (b) less
4. (a) Faster (b) more

5-28. Which of the following methods can be used by a cache memory to indicate which entries of main memory have been copied into it?

1. A hit
2. A tag store
3. An identifier
4. Both 2 and 3 above

5-29. Which of the following is/are properties of cache memory?

1. A high-speed memory
2. A logical network and an old entries replacement method
3. Timing and control
4. Each of the above

5-30. To indicate that data from the requested address is present, which, if any, of the following terms is used?

1. Hit
2. Miss
3. Tag
4. None of the above

5-31. What area of cache memory writes only to the directories?

1. Updates
2. Invalidates
3. Searches
4. Tags

5-32. What cache process is performed by a requestor other than the CPU within?

1. Main
2. Mapping
3. Eavesdrop
4. Searching

IN ANSWERING QUESTIONS 5-33 THROUGH 5-36, SELECT FROM THE FOLLOWING LIST THE CACHE MAPPING TECHNIQUE DESCRIBED IN EACH QUESTION.

1. Direct mapping
2. Fully associative mapping
3. Set associative mapping

5-33. Is the most flexible cache mapping technique with regards to where data can reside.

5-34. Combines the best cache mapping techniques.

5-35. Main memory locations can only be copied into one location in cache.

5-36. If cache is full, a replacement algorithm is used to decide which block gets replaced by new data.

5-37. What cache read method can be used to present the cache and main memory with the reference simultaneously?

1. Look-aside, serial read
2. Look-aside, parallel read
3. Look-through, serial read
4. Look-through, parallel read

- 5-38. In a look-through read, the cache is checked last.
1. True
  2. False
- 5-39. Optimum cache replacement would be psychic and have perfect knowledge of the future. What cache replacement policy, if any, comes closest to the optimum cache replacement?
1. LRU
  2. FIFO
  3. Random
  4. None, all are very different
- 5-40. Instruction routines in a ROM are considered to have which of the following characteristics?
1. Permanent and volatile
  2. Permanent and nonvolatile
  3. Temporary and volatile
  4. Temporary and nonvolatile
- 5-41. Permanent software loaded as firmware is the process known by which of the following terms?
1. Boot
  2. Bootstrap
  3. Boot Up
  4. Each of the above
- 5-42. An NDRO in a militarized mainframe or minicomputer is usually located in which of the following places?
1. In the CPU module
  2. In the chassis that contains CPU's p c b s
  3. Either 1 or 2 above, depending on whether it is a mini or mainframe computer
  4. On one or more IC chips of a CPU/memory pcb

- 5-43. Diagnostics programs on an NDRO include all of the following items except which one?
1. Test the timer
  2. Load failure analysis
  3. Memory and interface tests
  4. Computer interconnection system

IN ANSWERING QUESTIONS 5-44 THROUGH 5-47, SELECT FROM THE FOLLOWING LIST THE AREA OF A BIOS DESCRIBED IN EACH QUESTION.

1. Diagnostic testing
  2. Environmental inventory
  3. Boot procedure
- 5-44. Testing the video, interrupt controller, CPU register and flags, or the keyboard.
- 5-45. A prompt is displayed to let you know the microcomputer is ready to use.
- 5-46. The ROM chip program searches for the operating system files.
- 5-47. The number of printers and serial ports are determined.
- 5-48. The ALU obtains the data required to perform arithmetic and logical calculations from which of the following places?
1. Timing circuits
  2. Operands only
  3. Designated CPU registers only
  4. Operands and designated CPU registers

5-49. To perform computations, which of the following methods are used in addition and subtraction operations?

1. Radix minus one only
2. Radix minus two only
3. Conversion only
4. Radix minus one, radix minus two, and conversion

5-50. The destination of the results of ALU operations may include which of the following places?

1. Timing circuits
2. Registers only
3. Operands only
4. Registers and operands

5-51. Computers can be designed to use which of the following word-length operands to carry out arithmetic operations?

1. Whole-word, half-word, and quarter-word operands only
2. Single-length word operands only
3. Double-length word operands only
4. Whole-word, half-word, quarter-word, single-length word, and double-length word operands

5-52. Double-length memory word operands will be used for mathematical operations when the size of the result would be (a) \_\_\_\_\_ (less; greater) than the length of either of the registers used to provide inputs to the ALU or the operands being input to the ALU are (b) \_\_\_\_\_ than a single word. (larger; smaller)

1. (a) Less (b) larger
2. (a) Less (b) smaller
3. (a) Greater (b) larger
4. (a) Greater (b) smaller

IN ANSWERING QUESTIONS 5-53 THROUGH 5-56, SELECT FROM THE FOLLOWING LIST THE ITEM USED BY THE ALU IN ARITHMETIC OR LOGICAL CALCULATIONS DESCRIBED IN EACH QUESTION.

1. Flags
2. Selectors
3. Counters

5-53. Used to keep track of shifts.

5-54. A carry or borrow condition is indicated.

5-55. Used to transfer data between various registers in the ALU.

5-56. Used to indicate the status of the last logical calculation.

5-57. What method is used to represent a integer number?

1. R's minus 1
2. R's minus 2
3. Fixed-point
4. Floating-point

5-58. For whole numbers, what is the maximum absolute decimal value that can be contained in a 6-bit register?

1. 31
2. 32
3. 63
4. 64

5-59. A zero in what (a) position indicates a positive number and a one in what (b) position indicates a negative number?

1. (a) msb (b) 1sb
2. (a) msb (b) msb
3. (a) 1sb (b) 1sb
4. (a) 1sb (b) msb

- 5-60. In a 6-bit register, the largest positive value that can be contained is what decimal number?
1. 31
  2. 32
  3. 63
  4. 64
- 5-61. When floating-point operations are performed, the radix point must be aligned properly. The alignment of the radix point takes place at which of the following times?
1. During arithmetic operations only
  2. After arithmetic operations only
  3. Either during or after arithmetic operations, depending on the type of operation
  4. Before arithmetic operations
- 5-62. In floating-point operations, what is the fractional portion of the number called?
1. Characteristic
  2. Mantissa
  3. Radix
  4. Sign
- 5-63. In a number, the radix point is usually placed in what location?
1. Between the sign bit and the msb of the characteristic
  2. Between the sign bit and the lsb of the characteristic
  3. Between the sign bit and the lsb of the mantissa
  4. Between the sign bit and the msb of the mantissa
- 5-64. For which of the following reasons is zero extended through the most significant 16 bits of the word that contains the characteristic?
1. The integer is a positive number
  2. The integer is a negative number
  3. The mantissa is a positive number
  4. The mantissa is a negative number
- 5-65. Where the most accuracy is required during floating-point operations, (a) what format is used with two 32-bit words and (b) what is the relationship of the characteristic to the mantissa?
1. (a) Single-precision  
(b) Characteristic is smaller
  2. (a) Single-precision  
(b) Characteristic is larger
  3. (a) Double-precision  
(b) Characteristic is smaller
  4. (a) Double-precision  
(b) Characteristic is larger
- 5-66. Under which of the following conditions are the mantissa's results rounded up?
1. When the mantissa is less than one-half of one only
  2. When the mantissa is greater than one-half of one only
  3. When the mantissa is equal to or less than one-half of one
  4. When the mantissa is equal to or greater than one-half of one
- 5-67. What type of floating-point interrupt condition, if any, exists when there is a positive excess?
1. Overflow
  2. Underflow
  3. Divisor
  4. None, there is no floating point interrupt

IN ANSWERING QUESTION 5-64, REFER TO FIGURE 5-15, FRAME A, ON PAGE 5-21 IN THE TRAMAN.

- 5-68. What method does the ALU use to perform arithmetic and logical instructions?
1. Logical quotients of the logic gates
  2. Logical products of the logic gates
  3. Logical sums of the logic gates
  4. Logical differences of the logic gates
- 5-69. The ALU portion of a computer can be designed to perform a wide variety of arithmetic operations. Which of the following are the only arithmetic capabilities that computers can have to perform all arithmetic operations?
1. Addition and multiplication
  2. Addition and subtraction
  3. Subtraction and multiplication
  4. Subtraction and division
- 5-70. A computer has no dedicated square root instruction. Which of the following instructions could be used to perform the square root function?
1. Addition and subtraction only
  2. Addition and comparison only
  3. Subtraction and comparison only
  4. Addition, subtraction, and comparison
- 5-71. Logical ALU functions include all of the following except which one?
1. AND and OR
  2. NOT
  3. Compare
  4. BAM
- 5-72. A numeric data coprocessor operates in (a) what manner with the CPU and independent of the CPU using (b) which of the following buses?
1. (a) Parallel  
(b) Different buses from the CPU
  2. (a) Parallel  
(b) The same buses as the CPU
  3. (a) Serial  
(b) Different buses from the CPU
  4. (a) Serial  
(b) The same buses as the CPU

# ASSIGNMENT 6

Textbook Assignment: "Central Processing Units and Buses," chapter 5—continued, pages 5-24 through 5-29; "Computer Memories," chapter 6, pages 6-1 through 6-20.

---

6-1. The buses in a computer are controlled by (a) what functional area and (b) what type of communication path is used?

1. (a) CPU (b) serial
2. (a) CPU (b) parallel
3. (a) Memory (b) serial
4. (a) Memory (b) parallel

6-2. All the following types of information are transferred over buses except which type?

1. Power
2. Data
3. Commands
4. Instructions

6-3. The preferred method of transfer for data/information between system components is which of the following?

1. Control bus
2. Common data bus
3. Operand bus
4. Address bus

6-4. What IEEE standard is used for a simple 32-bit backplane bus?

1. 1196
2. 1296
3. 896.1
4. 1014

- |  |
|--|
| <ol style="list-style-type: none"><li>A. Control bus</li><li>B. Address bus</li><li>C. Data bus</li><li>D. Instruction (I) bus</li><li>E. Operand (C) bus</li><li>F. I/O mem bus or IOC bus</li><li>G. Time multiplexed bus</li><li>H. DMI bus</li></ol> |
|--|

Figure 6-A.—Buses.

IN ANSWERING QUESTIONS 6-5 THROUGH 6-11, REFER TO FIGURE 6-A. SELECT THE NAME(S) OF THE BUS OR BUSES THAT IS/ARE DESCRIBED IN EACH QUESTION.

6-5. This bus has all the signals necessary to define any of the possible memory address locations within the computer or a module.

1. A
2. B
3. C
4. D

6-6. This bus (or buses) can be used to transfer instructions from memory to the CPU.

1. A
2. B
3. C only
4. Both C and D



- 6-7. This bus allows communication between the CPU and memory or the CPU and the IOC.
1. C
  2. D
  3. E
  4. F
- 6-8. Controlled by the IOC, this bus responds to the CPU by using the O bus.
1. E
  2. F
  3. G
  4. H
- 6-9. This bus transmits individual signals to control and coordinate the operations of the computer.
1. A
  2. B
  3. C
  4. D
- 6-10. This bus transmits addresses and data by using clock cycles.
1. E
  2. F
  3. G
  4. H
- 6-11. Acts as a requester, this bus is used to send requests from other computers.
1. E
  2. F
  3. G
  4. H
- 6-12. What device accepts requests and uses a priority network to determine the order in which it is to respond to the requesters?
1. Operand bus extender
  2. REI bus extender
  3. CPU
  4. DMI
- 6-13. Regardless of whether a computer has an IOC or not, the CPU will control all buses.
1. True
  2. False
- 6-14. In bus communications, which of the following factors relating to the data being transferred must be considered?
1. Source only
  2. Destination only
  3. Transfer priority only
  4. Source, destination, and transfer priority
- 6-15. Bus requests may be made by all of the following parts except which one?
1. CPU
  2. IOC
  3. Memory
  4. DMI
- 6-16. Holding registers are used by source and destination sections to prevent data loss and to help coordinate data exchange.
1. True
  2. False

6-17. In the exchange of data on the buses, (a) what logic generates a ready signal when data is in the holding register and on the bus and (b) what logic sends an accept signal?

1. (a) Source (b) source
2. (a) Source (b) destination
3. (a) Destination (b) source
4. (a) Destination (b) destination

6-18. Which of the following items is stored in main memory?

1. Data and programs only
2. Calculations and operands only
3. Data, programs, and PROMS
4. Data, programs, calculations, and operands

- |                            |
|----------------------------|
| A. Memory address          |
| B. Capacity                |
| C. Access time             |
| D. Destructive readout     |
| E. Non-destructive readout |
| F. Volatile memory         |
| G. Nonvolatile memory      |

**Figure 6-B.—Terminology.**

IN ANSWERING QUESTIONS 6-19 THROUGH 6-24, REFER TO FIGURE 6-B. SELECT THE TERM THAT MATCHES THE DESCRIPTION IN EACH QUESTION.

6-19. Time interval from the instant a request for data is initiated until the data is available for use.

1. A
2. B
3. C
4. D

6-20. The output side of a flip-flop is read from memory without having to be rewritten.

1. D
2. E
3. F
4. G

6-21. The power to the computer is turned off and the contents of memory are retained.

1. D
2. E
3. F
4. G

6-22. The particular location of a larger memory array where a packet of information is located.

1. A
2. B
3. C
4. D

6-23. Power is shut off to the computer and the contents of the semi-conductor memory are lost.

1. D
2. E
3. F
4. G

6-24. The data is lost when it is read from memory.

1. A
2. B
3. C
4. D

- 6-25. A memory unit that can receive requests from more than one CPU or I/O section is known as which of the following types of memories?
1. Memory pcb
  2. Single-inline memory module
  3. Multiported memory module
  4. Dual-action memory module
- 6-26. Pcb type memories are usually composed of which of the following memory types?
1. Semiconductor
  2. Core
  3. Film
  4. Both 2 and 3 above
- 6-27. In a typical square form memory, the intersection of an x row and y column is called a
1. memory word address
  2. memory word
  3. memory module
  4. memory cell
- 6-28. The x rows and y columns of a typical memory will be equal in number.
1. True
  2. False
- 6-29. Memory operations in most computers usually include which of the following items?
1. Control circuits
  2. Timing circuits
  3. Memory cycle
  4. All of the above
- 6-30. Memory interface circuits include which of the following items?
1. Address register
  2. Communication lines
  3. Interfacing register
  4. Both 2 and 3 above
- 6-31. A word is read from memory, then rerouted back through the Z register to be rewritten. This is what type of memory?
1. Non-destructive readout
  2. Destructive readout
  3. Hardwired
  4. ROM
- 6-32. Priority of memory requests are evaluated by which of the following devices?
1. Control circuits
  2. Address register
  3. Z register
  4. CPU
- 6-33. Memory read/write enables are provided by which of the following devices?
1. Control circuits
  2. Timing circuits
  3. CPU
  4. I/O control
- 6-34. During a complete memory cycle, the first thing that must occur is which of the following?
1. Registers used for read/write operations are cleared
  2. Enables are generated to gate memory address into registers used for read/write operations
  3. Memory address translation is accomplished
  4. Interface logic acknowledges reading data from memory

- 6-35. To locate a memory address word, the computer uses which of the following items in memory?
1. Timing circuits
  2. Control circuits
  3. Interface circuits
  4. Memory logic
- 6-36. The conversion from a logical to a physical memory address is a function of which of the following items in memory?
1. Memory logic
  2. Timing circuits
  3. Control circuits
  4. Interface circuits
- 6-37. In all computers, for every read operation there will always be a corresponding write operation.
1. True
  2. False
- 6-38. In order to increase memory speed using interleaving, which of the following items are required?
1. Memory modules of 32 bits
  2. A minimum of 8 memory modules
  3. More complex CPU and memory control circuitry
  4. All of the above
- 6-39. When odd parity is used for memory fault detection, all words stored in memory will have which of the following bits?
1. A logic 1 parity bit
  2. A logic 0 parity bit
  3. An even number of set bits stored at each memory location
  4. An odd number of set bits stored at each memory location
- 6-40. The memory protection register set is used for which of the following purposes?
1. To restrict read/write operations in portions of memory
  2. To protect memory from unplanned power loss
  3. To protect against erroneous write instructions
  4. To limit access of memory to authorized users
- 6-41. In a memory segment within the protected area with all three bits of the memory protection control register set, which of the following operations are allowed?
1. Execute protected
  2. Write protected
  3. Read protected
  4. All of the above
- 6-42. Memory lockout is used by larger computers to prevent access to particular areas of memory by task state instructions. Which of the following describes the lockout function?
1. It is disabled when the CPU enters a particular executive or interrupt state and enabled when the CPU enters the task state
  2. It is enabled when the CPU enters a particular executive or interrupt state and enabled when the CPU enters the task state
  3. It is enabled when the CPU enters a particular executive or interrupt state and disabled when the CPU enters the task state
  4. It is disabled when the CPU enters a particular executive or interrupt state and disabled when the CPU enters the task state

6-43. Compared with semiconductor memories, magnetic memories have which of the following advantages?

1. They cost less
2. They are faster in terms of storage and access
3. They require less power and they are volatile
4. They require less power and they are nonvolatile

6-44. The state of a core or film is changed by which of the following conditions?

1. Current flow in the opposite direction of sufficient magnitude to overcome the magnetic field and to magnetize in the new direction
2. Current flow in the same direction of sufficient magnitude to match the magnetic field and to magnetize in the old direction
3. Voltage amplitude of a sufficient magnitude to overcome the magnetic field and to magnetize in the new direction
4. Current flow in the opposite direction of sufficient magnitude to overcome the magnetic field and to magnetize in the old direction

6-45. Compared with core memory, film memory has which of the following advantages?

1. Increased speed of read/write operations and less power required
2. More compact and durable
3. Twice as many memory cells can be put in the same space for the same amount of power
4. Each of the above

6-46. Each ferrite core can store what total number of bits?

1. One
2. Two
3. Three
4. Four

6-47. In a four-wire core winding, what is the physical make up of the windings that are strung through each and every core?

1. 1 drive line, 1 sense line, and 1 inhibit line
2. 2 drive lines, 1 sense line, and 2 inhibit lines
3. 2 drives lines, 1 sense line, and 1 inhibit line
4. 2 drive lines, 2 sense lines, and 1 inhibit line

IN ANSWERING QUESTIONS 6-48 THROUGH 6-51, SELECT THE CORE LINE THAT MATCHES THE DESCRIPTION IN EACH QUESTION.

1. Drive line
2. Sense line
3. Inhibit line

6-48. Detects the change in state of the core from one to zero.

6-49. Each line provides 1/2 of the current necessary to change the state of the core.

6-50. Prevents changing the core from a zero to a one.

6-51. In a three-wire core, this line performs the same function as in the four-wire core.

- 6-52. To simplify addressing, reading, and writing operations, magnetic cores are arranged in which of the following ways?
1. In hierarchical patterns
  2. In matrices
  3. In planes
  4. In stacks
- 6-53. Which core in an array will be switched from one state to another?
1. A core with a full read or write current passing through it
  2. A core with a half read current passing through it
  3. A core with a half write current passing through it
  4. A core with a half read or write passing through it
- 6-54. In a core array the inhibit line is threaded in \_\_\_\_\_ (a) \_\_\_\_\_ with the x or y drives (series, parallel) lines and the sense line threaded through \_\_\_\_\_ (b) \_\_\_\_\_ core. (each, every other)
1. (a) Series (b) each
  2. (a) Parallel (b) each
  3. (a) Series (b) every other
  4. (a) Parallel (b) every other
- 6-55. What is the basic building block of the memory stack?
1. Matrix
  2. Array
  3. Plane
  4. Quadrant
- 6-56. The address register bits are used to translate the bits to make which of the following bit selections?
1. Stack only
  2. Inhibit upper and lower stack only
  3. X and Y primary, secondary, and diode only
  4. X and Y primary, secondary, and diode; stack; and inhibit upper and lower stack
- 6-57. Which selectors are activated only when writing zeros?
1. Inhibit
  2. X and Y primary
  3. X and Y secondary
  4. X and Y read/write diode
- 6-58. In a core read/write cycle, the read current is designed to change the state of the core(s) to (a) what value; and the write current is designed to change the state of the core(s) from (b) what value to (c) what value?
1. (a) Zero (b) zero (c) one
  2. (a) Zero (b) one (c) one
  3. (a) One (b) zero (c) one
  4. (a) One (b) one (c) one
- 6-59. The process of reading cores to the zero state is known as which of the following types of readout?
1. Destructive readout
  2. Non-destructive readout
  3. Volatile readout
  4. Nonvolatile readout

- 6-60. In a core memory, a restore cycle is necessary after data has been read from memory for what reason, if any?
1. To change the state of each selected core from zero to one
  2. To change the state of all the cores from one to zero
  3. To sense the state of each core
  4. None, a restore cycle is not needed
- 6-61. During a restore operation of zeros in a three-wire core, the absence of write current on which of the following lines will leave the cores in the zero state?
1. Digit
  2. Word
  3. X drive
  4. Y drive
- 6-62. What specific number of paired film spots is used for each bit position?
1. One
  2. Two
  3. Three
  4. Four
- 6-63. Current flow through which of the following lines will magnetize a film spot?
1. Drive
  2. Word only
  3. Sense/digit only
  4. Word or sense/digit, depending on the function
- 6-64. In the application of external fields, the longitudinal fields are produced by passing the current (a) in which of the following ways and the transverse fields are produced by passing the current (b) in which of the following ways?
1. (a) Down the word line  
(b) In the proper direction along the sense/digit line
  2. (a) In the proper direction along the word line  
(b) Down the sense/digit line
  3. (a) In the proper direction along the sense/digit line  
(b) Down the word line
  4. (a) In the proper direction along the sense/digit line  
(b) Down the drive line
- 6-65. In a film memory, a packet stores what specific number of bits of data?
1. One
  2. Two
  3. Three
  4. Four
- 6-66. Which, if any, of the following devices makes the mated film cells less susceptible to the disturbance from other cells in close proximity to them?
1. Ground plane
  2. Insulator
  3. Keeper
  4. None of the above
- 6-67. How is mated film memory structured?
1. Bit organized
  2. Stack organized
  3. Word organized
  4. Array organized

- 6-68. What item is the basic building block of the film memory stack?
1. Matrix
  2. Array
  3. Packet
  4. Plane
- 6-69. The memory capacity of a film core storage device is determined by which of the following factors?
1. Size of the computer
  2. Number of packets only
  3. Size of the array in the memory stack only
  4. Number of packets and the size of the array in the memory stack
- 6-70. In film storage, up to how many words can be selected at each memory location?
1. One
  2. Two
  3. Three
  4. Four
- 6-71. The address register bits used to translate the bits to make selections are processed in which of the following sequences?
1. Word at the address location, memory location, and stack
  2. Stack, word at the address location, memory location
  3. Word at the address location, stack, and memory location
  4. Stack, memory location, and word at the address location
- 6-72. A mated film memory cell is read by which of the following methods?
1. A current is generated along the digit line and a transverse field is applied to the thin film cell
  2. A current is generated along the sense line and a transverse field is applied to the thin film cell
  3. A current is generated along the word line and a transverse field is applied to the thin film cell
  4. A current is generated along the word line and a longitudinal field is applied to the thin film cell
- 6-73. What factor will determine the recorded state of the film?
1. The direction of the cell vector rotation induced film signal on the sense/digit line
  2. The direction of the cell vector rotation induced film signal on the word line
  3. The magnitude of the cell vector rotation induced film signal on the digit line
  4. The direction of the cell vector rotation induced film signal on the sense line



- 6-74. When a one is to be stored, (a) what is the direction of the bit current in relationship to that used to store a zero and (b) what field steers the vector to the one state?
1. (a) The same  
(b) Transverse
  2. (a) The same  
(b) Longitudinal
  3. (a) Reversed  
(b) Transverse
  4. (a) Reversed  
(b) Longitudinal
- 6-75. In a restore operation of a film memory, what factor determines the direction of the digit current on the sense/digit line?
1. Binary value of the data register
  2. Direction of current on the word line
  3. The easy axis
  4. The hard axis

# ASSIGNMENT 7

Textbook Assignment: “Computer Memories,” chapter 6—continued, pages 6-20 through 6-32, and “Input/Output (I/O) and Interfacing,” chapter 7, pages 7-1 through 7-20.

---

- 7-1. Semiconductor memories are known by all of the following terms except which one?
1. Read/write memory
  2. Scratch-pad memory
  3. Random access memory
  4. Read-only memory
- 7-2. Semiconductor memories have which of the following characteristics?
1. Destructive readout and volatile
  2. Destructive readout and nonvolatile
  3. Non-destructive readout and volatile
  4. Non-destructive readout and nonvolatile
- 7-3. Each RAM chip contains which of the following items?
1. One memory cell only
  2. One memory cell and the logic to support it only
  3. Large numbers of memory cells only
  4. Large numbers of memory cells and the logic to support them
- 7-4. On RAM chips, memory cells are organized based on which of the following factors?
1. Number of memory words only
  2. Number of bits per word only
  3. Number of memory words and number of bits per word
  4. Number of gate arrays
- 7-5. The transistors used in flip-flops of static RAM may be MOS or bipolar. Compared to MOS, bipolar has what advantage, if any?
1. Higher density
  2. Higher access speed
  3. Requires less space
  4. None, they both have the same advantages
- 7-6. In a static RAM, the address lines are used to enable the addressed memory cell flip-flop circuit by row and column number.
1. True
  2. False
- IN ANSWERING QUESTION 7-7, REFER TO FIGURE 6-31 ON PAGE 6-24 OF THE TRAMAN.
- 7-7. Data is stored, or read from, the memory cells of SRAM via a total of how many lines?
1. One
  2. Two
  3. Three
  4. Four

7-8. The (a) address lines and the (b) I/O data lines are usually tied to what buses?

1. (a) Computer or memory system bus  
(b) Computer or memory system bus
2. (a) Computer or memory system bus  
(b) Data bus
3. (a) Data bus  
(b) Computer or memory system bus
4. (a) Data bus  
(b) Data bus

7-9. During a SRAM read cycle, what is (a) the status of the write enable and (b) the mode of the data buffers?

1. (a) True (b) input
2. (a) True (b) output
3. (a) False (b) input
4. (a) False (b) output

IN ANSWERING QUESTION 7-10, REFER TO FIGURE 6-32 ON PAGE 6-25 OF THE TRAMAN.

7-10. Each dynamic RAM cell consists of which of the following devices?

1. One MOS transistor only
2. One tiny capacitor only
3. One MOS transistor and one tiny capacitor only
4. Many MOS transistors and several tiny capacitors

7-11. DRAM cells do not retain their charged state for more than a few milliseconds. This degradation is due to which of the following factors?

1. Time only
2. Temperature only
3. Time and temperature
4. Temperature and power

7-12. To retain their charged state, DRAMs must be refreshed. Of the following methods, which one is (a) more cost effective because it uses what (b) device?

1. (a) Internal  
(b) Battery backup
2. (a) Internal  
(b) Single refresh address generator
3. (a) External  
(b) Battery backup
4. (a) External  
(b) Single refresh address generator

7-13. In DRAM organization, the data input and data output lines may be tied together in what type of application, if any?

1. One that uses a unidirectional data bus
2. One that uses a bidirectional data bus
3. None, they are never tied together

7-14. Compared to a SRAM, a DRAM has all except which of the following advantages?

1. It retains its charged state
2. It has lower power consumption
3. It has higher density
4. It is less complex

7-15. Programs stored on ROM are often referred to as firmware for which of the following reasons?

1. They are software only
2. They are hardware only
3. They are more hardware than software
4. They write data into the ROM address

- 7-16. Compared to RAM, ROM has all of the same operational characteristics except which of the following?
1. Allows random access
  2. Uses a row/column arrangement
  3. Can be read by normal computer accessing methods
  4. Can be written to by normal computer accessing methods

- 7-17. ROM has what primary use?
1. Stores data addresses for recovery purposes
  2. Allows the computer to perform I/O operations
  3. Provides a user interface through a panel
  4. Stores the content of the computer registers for interrupt processing

- 7-18. The acronym BIOS stands for what term?
1. Basic input/output system
  2. Bipolar input/output status
  3. Binary input/output status
  4. Bidirectional input/output system

- 7-19. The acronym NDRO stands for what term?
1. Non-destructive readover
  2. Non-destructive readout
  3. Non-dynamic readover
  4. Non-dynamic readout

IN ANSWERING QUESTION 7-20, REFER TO FIGURE 6-35 ON PAGE 6-28 OF THE TRAMAN.

- 7-20. In the example, the ROM chip memory array has a total of (a) how many decoders and (b) how many lines are input to these decoders?
1. (a) 2 (b) 12
  2. (a) 2 (b) 13
  3. (a) 4 (b) 12
  4. (a) 4 (b) 13

- 7-21. ROMs may be made of which of the following materials?
1. Hardwired and magnetic only
  2. Fusible links only
  3. MOS and bipolar transistors only
  4. Hardwired, magnetic, fusible links, and MOS and bipolar transistors

- 7-22. To perform ROM operations, which of the following circuits are used?
1. Timing and control signals only
  2. Registers, flip-flops, and internal buses only
  3. Internal buses, timing, and control signals only
  4. Timing, control signals, registers, flip-flops, and internal buses

- 7-23. Compared to PROM, an erasable PROM has what additional advantage, if any?
1. It can be used over and over again without reprogramming
  2. It can be erased and reprogrammed
  3. It can be field programmed by an authorized technician
  4. None, there is no additional advantage

- 7-24. While still in the circuit, which of the following PROMS can (a) be programmed and (b) erased?
1. (a) EPROM/EEPROM  
(b) EPROM/EEPROM
  2. (a) EPROM/EEPROM  
(b) UV EPROM
  3. (a) UV EPROM  
(b) EPROM/EEPROM
  4. (a) UV PROM  
(b) UV PROM
- 7-25. A device that serves as a shared entry point from a local-area network into a larger information resource is which of the following?
1. Gateway
  2. Input/output adapter (IOA)
  3. Input/output controller (IOC)
  4. Data terminal equipment (DTE)
- 7-26. A function that transfers status by using the appropriate control signals from a transmitting device to the receiving computer is which of the following?
1. Input data (ID)
  2. Output data (OD)
  3. External fiction (EF)
  4. External interrupt (EI)
- 7-27. The I/O processor controls which of the following transfers?
1. The transfer of data between registers
  2. The transfer of information between main memory and the CPU
  3. The transfer of timing signals between the ALU and the CPU
  4. The transfer of information between main memory and the external equipments
- 7-28. Establishing, directing, and monitoring transfers with external equipments are the functions of which of the following devices?
1. CPU
  2. IOA
  3. IOC
  4. Bidirectional bus
- 7-29. Changes to input and output control and data signal voltages are functions of which of the following devices?
1. CPU
  2. IOA
  3. IOC
  4. Bidirectional bus
- 7-30. The type of connectors for the I/O channels or ports will be dictated by which of the following factors?
1. Interfacing
  2. Serial I/O
  3. Parallel I/O
  4. Voltage levels
- 7-31. The driver circuits are used for which of the following tasks?
1. To pass data to the IOC
  2. To set/clear output registers
  3. To pass interface signals to the IOC
  4. To pass interface and data signals to the external equipments

- 7-32. External microcomputer I/O operations are usually handled by which of the following devices?
1. A single serial port
  2. A single parallel port
  3. A single printed circuit board
  4. Multiple printed circuit boards
- 7-33. Examples of consistencies found in the architecture of a computer's I/O section include which of the following?
1. Types of external equipments
  2. The arrangement and format of the information exchanged
  3. The type and number of interfaces possible
  4. The type of circuits used to process I/O information
- 7-34. If a printer senses a paper jam during a print operation, which of the following actions would occur?
1. A control word would be sent by the computer specifying an error condition
  2. A control word would be sent to the computer specifying an error condition
  3. A data word would be sent by the computer specifying a special condition
  4. A data word would be sent to the computer specifying a special condition
- 7-35. Handshaking is also known by which of the following terms?
1. Function control word
  2. External interrupt words
  3. Both 1 and 2 above
  4. Alphabetic and numeric data exchange
- 7-36. The type of interface used when all bits of information represented by a byte or word are input or output simultaneously is known as which of the following formats?
1. Serial format
  2. Parallel format
  3. 8-bit word format
  4. 32-bit word format
- 7-37. Command instructions provide control over which of the following areas/operations?
1. Main memory
  2. CPU operations
  3. IOC single and dual channel operations
  4. Interrupt driven I/O operations
- 7-38. The I/O command start instruction accomplishes which of the following actions?
1. Specifies an IOC, then halts further CPU processing
  2. References specific main memory addresses
  3. Executes a previously stored IOC command
  4. Indicates to the CPU that the command has been processed
- 7-39. The CPU will delay processing while waiting for an I/O operation only during which of the following actions?
1. Execution of input chain operations
  2. Execution of output chain operations
  3. Actual data transfer operations
  4. Executions of an I/O command start instruction

- 7-40. The actual execution of chaining instructions is independent of the CPU.
1. True
  2. False
- 7-41. Input and output chains deal primarily with which of the following activities?
1. The processing of IOC control words
  2. Specification of the locations of external status words
  3. Transfer of blocks of information
  4. Addresses provided by the load control memory command
- 7-42. Data transfer between the computer and external equipments will take place when which of the following conditions is/are met?
1. The memory areas for the data have been specified by the computer programs
  2. The external equipment is ready to send or receive data and has sent a request signal
  3. Initiate input/output or equivalent instruction is executed by the CPU
  4. All of the above
- 7-43. Which of the following is one of the constants in all I/O operations?
1. Data words will always be limited to 16 bits
  2. When the data transfer will begin
  3. The circuitry required to connect external equipments
  4. A serial data interface between the computer and external equipments
- 7-44. In I/O operations, communications with the external equipment require which of the following devices/operating modes?
1. An IOC
  2. A single channel operating mode
  3. Circuitry that specifies a sequence of events
  4. A dual channel operating mode
- 7-45. When an index address in main memory is specified by an external equipment during an I/O operation, the computer is operating in which of the following modes?
1. Intercomputer channel mode
  2. Externally specified index mode
  3. Externally specified address mode
  4. Dual channel mode
- 7-46. In I/O operations, which of the following is one of the primary uses of registers?
1. To enable and route data information only
  2. To enable and route control information only
  3. To enable and route both control and data information
  4. To provide timing circuitry for I/O interfacing
- 7-47. Decoder circuits are used for which of the following purposes?
1. Main timing
  2. I/O processors
  3. Address translation
  4. Data buffers

- 7-48. Status registers are used for which of the following purposes?
1. To enable and route data using the internal bus system
  2. To hold or buffer data during interchanges between the very fast CPU and slower external equipments
  3. To hold control data generated by main memory or the CPU when operating with very fast external equipments
  4. To hold information for the CPU that indicates the operating condition and current activities of the external equipments
- 7-49. In computers with an IOC, once started the master clock can be stopped when which of the following actions occurs?
1. Computer master clear
  2. External interrupt
  3. Input data request
  4. Output data request
- 7-50. In computers with an IOC, the master clock is started when which of the following actions occurs?
1. The computer is initially powered on
  2. The computer is auto restarted
  3. Both 1 and 2 above
  4. An execute master clear is issued
- 7-51. The I/O control circuits are controlled by which of the following means?
1. The CPU
  2. The IOC
  3. The I/O master clock
  4. The computer program
- 7-52. A sequential set of memory locations that contains data to be sent out or an area that is set aside for data to be received is called which of the following?
1. An input register
  2. An output register
  3. Both 1 and 2 above
  4. A buffer
- 7-53. Which of the following are unbuffered operations?
1. Data transferred between computer and external devices
  2. Where data is exchanged between the CPU and various parts of the computer
  3. Both 1 and 2 above
  4. Data exchanged between external devices offline
- 7-54. The I/O processor's sequencing circuits control which of the following actions?
1. The order in which events will be executed based upon the translated function code
  2. The order in which memory addresses of data to be retrieved or stored will be acted on
  3. The order in which external equipment output requests will be acknowledged
  4. The order in which external interrupts will be acted on by the computer
- 7-55. The CPU interfaces with the I/O processor through which of the following means?
1. Special interface circuits
  2. The CPU's I/O instructions
  3. The sequencing circuitry
  4. The maintenance console



- 7-56. I/O control memory words are set aside in main memory to control which of the following actions?
1. Data transfers for I/O buffer functions
  2. The sequence of I/O operations
  3. Parallel operations
  4. Serial operations
- 7-57. In parallel operations, each I/O channel has its own block of memory addresses for which of the following operations?
1. Input and output only
  2. External function only
  3. External interrupt operations only
  4. Input, output, external function, and external interrupt operations
- 7-58. Serial operations are affected by which of the following factors?
1. Character size, parity selection, and asynchronous interfacing only
  2. Parity selection, baud rate, and synchronous interfacing only
  3. Character size, parity selection, and synchronous and asynchronous interfacing only
  4. Character size, parity selection, baud rate, and synchronous and asynchronous interfacing
- 7-59. Monitor words are used for which of the following purposes?
1. To monitor external equipment status
  2. To monitor bytes that are to be transferred by the pending operation
  3. To store characters for comparison with received data characters
  4. To monitor main memory for the next available address for chaining instructions
- 7-60. Another term for accumulator based I/O is which of the following?
1. Direct CPU interface
  2. Direct memory access
  3. Interrupt driven I/O
  4. Memory mapped I/O
- 7-61. The CPU handles all I/O transactions by executing one or more instructions for each word of information transferred. This process is known by which of the following terms?
1. Polled I/O
  2. Memory mapped I/O
  3. Interrupt driven I/O
  4. Accumulator based I/O
- 7-62. In memory mapped I/O, the CPU accesses the I/O device by which of the following means?
1. Tying peripheral devices directly into the communication bus
  2. Placing appropriate addressing information on the bus
  3. Checking each channel or port to determine if it has data for input or is ready to accept output data
  4. Using an I/O processor for interface between memory and the external equipments
- 7-63. During direct CPU interface operations, the CPU continuously tests the status register. This technique is known by which of the following terms?
1. Memory mapped I/O
  2. Accumulator based I/O
  3. Interrupt driven I/O
  4. Polled I/O

- 7-64. The main advantage of direct memory access is which of the following?
1. Speed
  2. Reliability
  3. Less complicated circuitry
  4. Maximum utilization of memory
- 7-65. When the CPU and the DMA attempt to access main memory simultaneously, the CPU has priority.
1. True
  2. False
- 7-66. When a high speed disk drive is used, output data will be in which of the following forms?
1. Octal
  2. Binary
  3. Octal coded decimal
  4. Various; form is dependent on type of interface used
- 7-67. The technique used when more than one peripheral device is connected to a single port/channel is known by which of the following terms?
1. Daisy chaining
  2. Independent request control
  3. External interrupt control method
  4. Request/acknowledge control method
- 7-68. When more than one peripheral device is connected to a single port/channel, the priority of a device is determined by which of the following factors?
1. The CPU
  2. The I/O controller
  3. The computer program
  4. The order of connection
- 7-69. When using a request and acknowledge system, the priority of the fictions and channels is determined by which of the following factors?
1. The CPU
  2. The I/O controller
  3. The computer program
  4. The order of connection
- 7-70. Communication formats are governed by which of the following items?
1. The type of external equipment
  2. The speed of the external equipment
  3. The interfacing standard
  4. The speed of the computer
- 7-71. The compatibility of voltage levels between the computer and external equipments is ensured by which of the following means?
1. The CPU
  2. The I/O processor
  3. The I/O interfacing components
  4. The type and number of pins in the cable connectors
- 7-72. Transfer of data within a digital computer is accomplished internally using which of the following means?
1. Standard I/O interfaces
  2. Serial format
  3. Parallel format
  4. Serial interface board
- 7-73. The conversion of data for transmission over a serial channel is accomplished by which of the following means?
1. A serial interface board
  2. A standard format interface
  3. A universal receiver-transmitter
  4. I/O control printed circuit board

7-74. When a universal synchronous-asynchronous receiver transmitter is used, it functions as which of the following devices?

1. A microprocessor
2. An I/O serial interface board
3. An I/O parallel interface board
4. A peripheral device to the microprocessor

7-75. The universal synchronous-asynchronous receiver transmitter's specific asynchronous interfacing is controlled by which of the following means?

1. The bidirectional tristate data bus
2. The I/O control printed circuit board
3. The read/write control logic
4. The CPU

# ASSIGNMENT 8

Textbook Assignment: “Input/Output (I/O) and Interfacing,” chapter 7—continued, pages 7-20 through 7-38.

---

- 8-1. The read/write control logic accepts control signals from which of the following devices?
1. The data bus
  2. The control bus
  3. The master clock
  4. The USART
- 8-2. To program the USART for the applicable interface when it is in an idle state, which of the following signals/words is required?
1. A reset signal
  2. A clock signal
  3. A new set of data words
  4. A new set of control words
- 8-3. The universal synchronous-asynchronous receiver transmitter is enabled for reading/writing operations when which of the following signals is true?
1. The WRITE DATA
  2. The CHIP SELECT
  3. The CONTROL DATA
  4. The DATA SET READY
- 8-4. When the WRITE DATA (WD) signal is true, it means which of the following things?
1. It indicates the microprocessor is placing data on the data bus
  2. It indicates the microprocessor is ready to receive data or control words
  3. It identifies the write operation as a data or control word
  4. It enables the universal synchronous/asynchronous receiver transmitter for writing operations
- 8-5. When the READ DATA (RD) signal is true, the microprocessor is ready for which of the following activities?
1. To receive data only
  2. To receive status words only
  3. To receive data and status words
  4. To receive clock signals
- 8-6. The transmit control logic converts the data bytes stored in the transmit buffer into which of the following forms?
1. An asynchronous bit stream
  2. Start bits
  3. Stop bits
  4. Parity bits
- 8-7. A start bit is used for which of the following purposes?
1. To initiate data transfer
  2. To alert the output device
  3. To control transmit logic
  4. To program protocol

- 8-8. A parity bit is used for which of the following purposes?
1. To regulate signal flow
  2. To specify data type
  3. To detect errors
  4. Each of the above
- 8-9. The receive buffer stores which of the following information?
1. The output bit stream
  2. The protocol signals
  3. Serial bytes
  4. Parallel bytes
- 8-10. The voltage and current characteristics of line drivers/receivers are dictated by which of the following factors?
1. The format
  2. The interface
  3. Channel/port configurations
  4. Type of circuitry (TTL or MOS)
- 8-11. Type A (NTDS) Slow interface format is able to transmit which of the following number of bit groupings?
1. 16 only
  2. 30 only
  3. 32 only
  4. 16, 30, or 32, depending on the type of computer
- 8-12. The data transmission rate for Type A (NTDS) Slow format is limited by which of the following factors?
1. The requirement to convert data from serial to parallel
  2. The type of equipment used
  3. The large voltage change between logic states
  4. The long distance the transmission must cover
- 8-13. In Type D (NTDS SERIAL) interface format, information frames are made up of what total number of bits?
1. 32 bits
  2. 16 bits
  3. 3 bits
  4. 8 bits
- 8-14. Type D (NTDS SERIAL) interface format can transmit digital signals up to which of the following lengths?
1. 300 feet
  2. 1000 feet
  3. 1500 feet
  4. The total length of the cable used regardless of its length
- 8-15. Type E (NATO SERIAL) format requires which of the following I/O cables?
1. Coaxial
  2. Triaxial
  3. Dual coaxial
  4. Twisted pairs
- 8-16. Type E (NATO SERIAL) format is most frequently used with which of the following equipment?
1. Mainframe computers
  2. Minicomputers
  3. Microcomputers
- 8-17. Type F (aircraft internal time division multiplex [TDM] bus) interface format transmits bit groupings consisting of what total number of bits?
1. 16
  2. 20
  3. 30
  4. 32

- 8-18. Type F (aircraft internal time division multiplex [TDM] bus) interface format can handle which of the following numbers of external devices on one channel?
1. 16
  2. 30
  3. 32 (including a bus controller)
  4. 34 (including a bus controller)
- 8-19. Type G (RS-449) interface format primarily uses which of the following protocols?
1. Request acknowledge
  2. Command and response
  3. SIS/SOS
  4. Interrupt/request
- 8-20. The Small Computer System Interface (ANSI X3.131) using one controller can daisy chain up to what maximum number of units?
1. 8
  2. 16
  3. 30
  4. 32
- 8-21. The RS-232 interface can be used for which of the following types of transfers?
1. Asynchronous parallel only
  2. Synchronous parallel only
  3. Asynchronous and synchronous parallel
  4. Asynchronous and synchronous serial
- 8-22. The RS-232 interface can be used with which of the following types of computers?
1. Micros only
  2. Mainframes only
  3. Minis and mainframes only
  4. Micros, minis, and mainframes
- 8-23. The RS-232 interface limits cable transfers to what maximum number of feet?
1. 50
  2. 100
  3. 300
  4. 1000
- 8-24. In the RS-232 interface, most peripherals control configuration parameters using which of the following methods?
1. A controller card
  2. Dip switches
  3. Software
  4. VACALES
- 8-25. The higher transmission rate of the RS-422 interface is made possible by which of the following techniques?
1. Two separate wires are used
  2. The receiver transition period is narrower
  3. The grounding requirements are less critical
  4. All of the above
- 8-26. In a token ring network, a station with a message waits until it receives a free token, it then changes the free token to a busy token, and transmits a block of data following the busy token. What term is used for the block of data?
1. Record
  2. Server
  3. Frame
  4. File

- 8-27. The Ethernet interface is used to transfer which of the following types of data in what format?
1. Serial I/O data in packet format
  2. Serial data in string format
  3. Parallel I/O data in packet format
  4. Parallel I/O data in string format
- 8-28. The type of cable used for the Ethernet interface is which of the following?
1. Twisted pairs
  2. Unshielded coaxial
  3. Shielded coaxial
  4. Triaxial
- 8-29. Thin Ethernet interface used in smaller systems can have a maximum cable length of which of the following?
1. 500 feet
  2. 600 feet
  3. 1000 feet
  4. 1500 feet
- 8-30. The Centronics Compatible Parallel interface uses which of the following types of protocol?
1. Command/acknowledge
  2. Interrupt driven
  3. Asynchronous
  4. Synchronous
- 8-31. Most floppy disk drives today are controlled by which of the following interfaces?
1. Enhanced small device interface
  2. ST-506/412 interface
  3. Integrated drive electronics interface
  4. RS-422 interface
- 8-32. When using the ST-506/412 interface, the controller card performs which of the following functions for disk drives?
1. Moves the magnetic head
  2. Spins the magnetic disk
  3. Strips off formatting and control words
  4. All of the above
- 8-33. When using the ST-506/412 to interface a hard disk drive, the cabling required is which of the following?
1. A 34-pin control cable
  2. A 20-pin data cable
  3. Both 1 and 2 above
  4. A shielded coaxial cable
- 8-34. When using the ST-506/412 to interface a floppy disk drive, the cabling required is which of the following?
1. A 34-pin control cable
  2. A 20-pin data cable
  3. Both 1 and 2 above
  4. A shielded coaxial cable
- 8-35. The enhanced small device interface can transfer data at up to which of the following rates?
1. 5 megabits per second
  2. 24 megabits per second
  3. 125 megabits per second
  4. 1.2 gigabytes per second
- 8-36. When using the enhanced small device interface with a floppy disk drive, the cabling required is which of the following?
1. A 34-pin control cable
  2. A 20-pin data cable
  3. Both 1 and 2 above
  4. A shielded coaxial cable

- 8-37. All electronics used for the integrated drive electronics interface are located in which of the following areas?
1. The computer motherboard
  2. The controller card
  3. The integrated CPU
  4. The hard drive
- 8-38. The integrated drive electronics interface can handle disk drives with a maximum capacity of which of the following?
1. 1 MB
  2. 80 MB
  3. 180 MB
  4. 300 MB
- 8-39. The minimum number of conductors required for I/O serial data operations is which of the following?
1. 1
  2. 2
  3. 37
  4. 4
- 8-40. During asynchronous data exchange, a frame of data must include which of the following bits at a minimum?
1. One start bit
  2. One stop bit
  3. Seven character bits
  4. All of the above
- 8-41. During asynchronous data exchange, the maximum number of bits for one frame of data is which of the following?
1. 8
  2. 9
  3. 10
  4. 11
- 8-42. Compared to asynchronous data exchange, synchronous data exchange has which of the following advantages?
1. Faster speed
  2. More reliability
  3. Less electronics required
  4. Fewer bits required for each character
- 8-43. The generally accepted standard connector for implementing an RS-232 connection has what total number of pins?
1. 12
  2. 25
  3. 26
  4. 32
- 8-44. The protective ground, pin 1 of the RS-232 interface connector in the DTE/DCE mode should always be connected to the shielded cable shield at both ends.
1. True
  2. False
- 8-45. Pin 7 of the RS-232 interface connector in the DTE/DCE mode should always be connected at both ends for which of the following reasons?
1. To complete the path for control signals only
  2. To provide a complete path for the data signals only
  3. To provide timing signals to the peripheral device only
  4. To provide a common reference for all signals



- 8-46. Pin 3 of the RS-232 interface connector in the DTE/DCE mode is used for which of the following purposes?
1. To send data signals
  2. To send control signals
  3. To receive data signals
  4. To receive control signals
- 8-47. Pins 4, 5, 6, and 20 are used in the DTE/DCE mode using the RS-232 interface connector for which of the following purposes?
1. To send and receive data signals
  2. To send and receive control signals
  3. To send and receive timing signals
  4. To establish the communications link
- 8-48. In parallel data operations, the IOA or line driver/receiver provides the means to accomplish which of the following tasks?
1. Convert the byte or word to a sequential bit stream
  2. Drive or detect the digital signals
  3. Convert serial data to parallel data
  4. Provide constant timing signals at the specified voltage levels
- 8-49. In parallel data operations, one I/O channel could consist of which of the following devices?
1. Two cables, one for input and one for output or a single cable to handle both input and output
  2. Eight or more data lines
  3. A number of control lines
  4. All of the above
- 8-50. The data strobe in single parallel cable operations is used for which of the following purposes?
1. Checks for data on the data lines
  2. Ensures that the data on the data lines is stable
  3. Signals the external device that data is ready to be read from the data lines
  4. All of the above
- 8-51. In single parallel cable operations, a busy signal would be sent under which of the following conditions?
1. The computer output buffer is full
  2. The external equipment is not energized
  3. The external equipment input buffer is full
  4. The computer is involved in internal operations
- 8-52. In two cable parallel operations, an external interrupt enable can be described as which of the following?
1. A signal sent from the external device on the input line
  2. A signal sent from the computer on the output line
  3. A signal sent from the external device on the output line
  4. A signal sent from the computer on the input line
- 8-53. When an external interrupt code is placed on the data lines, it is accompanied by which of the following signals?
1. An external interrupt request
  2. An input data acknowledge
  3. An input data request
  4. All of the above

- 8-54. When the computer samples an interrupt code, which of the following signals will occur?
1. An external interrupt acknowledge
  2. An external interrupt enable
  3. An input data acknowledge
  4. All of the above
- 8-55. In a two cable sequence of events for input data, the first event will be which of the following?
1. The external equipment sets the IDR line
  2. The external equipment places a word of data on the ID lines
  3. The computer sets the input data request line
  4. The computer clears the IDA line
- 8-56. In the two cable sequence of events for input data, the computer has sampled the data on the ID lines. Which of the following events must occur before the computer will accept more data?
1. The IDR must be cleared
  2. A new data word must be placed on the I/O lines
  3. The IDR must be reset
  4. All of the above
- 8-57. During a normal external function sequence of events, the computer places an EF code word on the OD lines. The next event to take place is which of the following?
1. The EFR line is set
  2. The ODA line is set
  3. The EFR line is cleared
  4. The EFA line is set
- 8-58. During forced external functions, the computer does not require which of the following signals?
1. An EFR
  2. An EFA
  3. An ODR
  4. An ODA
- 8-59. During the external interrupt sequence of events, what is the first event that must occur before a computer will accept an external interrupt?
1. The EI code word is placed on the ID lines
  2. The EIE line is set
  3. The EIR line is set
  4. The IDA line is set
- 8-60. During the external interrupt sequence of events, the computer samples the EI code word on the ID lines and clears the EIE line for data to continue to transfer. Which of the following events, must occur?
1. The computer sets the IDA line only
  2. The external equipment detects the setting of IDA line only
  3. The computer clears the IDA line only
  4. The computer sets the IDA line, the external equipment detects the setting of the IDA line, and the computer clears the IDA line
- 8-61. All computers used by the Navy will have EIE lines.
1. True
  2. False

- 8-62. In intercomputer I/O operations when parallel channels are used, the input and output cables will have which of the following characteristics?
1. The input and output cables can be uneven in number
  2. An ODA signal becomes a resume signal
  3. An ODR signal becomes a ready signal
  4. The input and output cables will be identical
- 8-63. During intercomputer I/O operations, command words include which of the following data?
1. External functions only
  2. Forced external functions only
  3. External function buffer words only
  4. External functions, forced external functions, and external function buffer words
- 8-64. During intercomputer I/O operations, command word functions are identified by use of which of the following techniques?
1. Flag words
  2. Setting ODA lines
  3. Additional interface signals
  4. All of the above
- 8-65. During intercomputer I/O operations, in order for a buffered command word transfer to be possible, the transmitting computer must have (a) what line and the receiving computer must have (b) what line?
1. (a) EFR (b) EIE
  2. (a) EFR (b) EFR
  3. (a) EIE (b) EIE
  4. (a) EIE (b) ERF
- 8-66. For an intercomputer command word buffered transfer, the receiving computer is ready to accept an external function command word. This is signaled by which of the following means?
1. The external function request line is set
  2. The external interrupt enable line is set
  3. The external function acknowledge is set
  4. The input data request line is set
- 8-67. During an intercomputer command word buffered transfer, before putting the EF code on the data lines, the transmitting computer recognizes which of the following signals?
1. An EFR
  2. An EFA
  3. An ODA
  4. All of the above
- 8-68. In intercomputer command word transfers when the transmitting computer does not have an EFR line, the command word will be transferred in what way, if any?
1. As a data word
  2. As a buffered command word
  3. As a forced command word
  4. None, data cannot be transferred without an EFR line
- 8-69. In intercomputer I/O operations, all command words specified by the receiving computer's EF buffer control words will be transferred one command word at a time.
1. True
  2. False

- 8-70. Before the intercomputer data transfer sequence of events can begin, which of the following events must have occurred on the same channel?
1. An OD buffer must have been established on the transmitting computer
  2. An ID buffer must have been established on the receiving computer
  3. Both 1 and 2 above
  4. An IDA must have been established
- 8-71. In intercomputer data transfers, the data word is held on the OD lines until the receiving computer performs which of the following tasks?
1. Sets the IDR line
  2. Clears the IDR line
  3. Sets the resume line
  4. Clears the resume line
- 8-72. In intercomputer data transfer, the receiving computer recognizes the ready line of the transmitting computer as what line?
1. The IDR line
  2. The ODR line
  3. The ODA line
  4. The resume line
- 8-73. In intercomputer data transfer, the transmitting computer recognizes the IDA line of the receiving computer as what line?
1. The IDR line
  2. The ODR line
  3. The ODA line
  4. The resume line
- 8-74. In intercomputer data transfer, after one data word has been transferred and before the next data word is placed on the data OD lines, which of the following events occurs?
1. The receiving computer sets the IDA line
  2. The transmitting computer clears the ready line
  3. Both 1 and 2 above
  4. The receiving computer clears the EFR line

# ASSIGNMENT 9

Textbook Assignment: "Computer Instructions and Man/Machine Interfaces" chapter 8, pages 8-1 through 8-26.

---

- 9-1. Various programming languages and types of languages are used to write computer programs. Which of the following are examples of procedural-type languages?
1. COBOL and FORTRAN
  2. COBOL and BASIC
  3. FORTRAN and BASIC
  4. BASIC and Ada
- 9-2. For embedded applications, which of the following languages could be used?
1. BASIC
  2. FORTRAN
  3. COBOL
  4. Ada
- 9-3. Which of the following languages is considered an interactive language?
1. A d a
  2. BASIC
  3. COBOL
  4. FORTRAN
- 9-4. Before a program can be executed on a computer, it may need to be translated. Which of the following types of languages need to be translated?
1. High level only
  2. Assembly only
  3. High level and assembly
  4. Machine code
- 9-5. Computer instructions to perform designated operations are contained in an instruction set. Which of the following is another name for instruction set?
1. Operation set
  2. Repertoire of instructions
  3. Operating system instructions
  4. Instruction formats
- 9-6. Other names for the plan used to write a program include which of the following terms?
1. Algorithm
  2. Formula
  3. Utility
  4. Application
- 9-7. Some programs are stored in ROM or PROM. Which of the following is another name used for these read-only programs?
1. Operating systems
  2. Utilities
  3. Hardwired
  4. Applications
- 9-8. What type of program provides the link between the computer hardware and the user and enables the execution of operational programs?
1. Operating system
  2. Application
  3. Utility
  4. User interface

- 9-9. Operating systems are a collection of many programs used by a computer to manage its own resources and operations. All of the following are types of operating systems except which one?
1. Programmed operational and functional
  2. Single tasking
  3. Multitasking
  4. Real-time
- 9-10. Which of the following are names commonly used to describe the programs for tactical, tactical support, and/or nontactical applications?
1. Application programs only
  2. Operational programs only
  3. Operational and processing programs only
  4. Application, operational, and processing programs
- 9-11. Commercially available programs designed to solve specific classes of problems are often called by which of the following terms?
1. Packaged software only
  2. Off-the-shelf software only
  3. Packaged and off-the-shelf software
  4. On-the-shelf software
- 9-12. All of the following are considered utility programs except which one?
1. POFA
  2. Operating system
  3. Online diagnostic test
  4. General routine to copy a disk
- 9-13. A predetermined and installed set of microinstruction is called what type of instruction?
1. Multiple instruction
  2. Microinstruction
  3. Mini-instruction
  4. Controlled instruction
- 9-14. Which of the following types of instructions are classified by the function they perform?
1. Transfer of control only
  2. Movement and transfer of control, only
  3. Movement, transfer of control and arithmetic only
  4. Movement, transfer of control, arithmetic, and logical
- 9-15. Data assignment instructions are normally held in which of the following types of registers?
1. Flag registers only
  2. Memory address registers only
  3. Memory address registers and active status registers
  4. Flag registers and active status registers
- 9-16. All of the following are examples of data assignment instructions except which one?
1. Branch instruction address
  2. Fixed point overflow
  3. Interrupt lockouts
  4. Compare designators

9-17. What type of instruction makes it possible to change the sequence in which a computer performs instructions?

1. Data assignment
2. Arithmetic
3. Logical
4. Branch

9-18. What type of instruction will change the sequence of instructions only if a condition is met?

1. Conditional branch
2. Unconditional branch
3. Logical branch
4. Automatic branch

9-19. What type of instructions include and, or, not, exclusive or/nor, compare, and shift instructions?

1. Data assignment
2. Arithmetic
3. Logical
4. Branch

9-20. In addition to classifying instructions by their functions, instructions may be classified by their action on operands.

1. True
2. False

9-21. Instructions are the same on all computers.

1. True
2. False

9-22. All instructions include at least which of the following parts?

1. An operation code
2. An operand address
3. A modifier code
4. A register name

IN ANSWERING QUESTION 9-23, REFER TO FIGURE 8-3 ON PAGE 8-7 OF THE TRAMAN.

9-23. In a 16-bit microcomputer instruction, in what positions would the operation code be located?

1. Bits  $2^5$  and  $2^4$
2. Bits  $2^{11}$  and  $2^{10}$
3. Bits  $2^{15}$  through  $2^{13}$
4. Bits  $2^{16}$  through  $2^3$

9-24. The formats of instructions on mainframe computers vary greatly for all of the following reasons except which one?

1. Manufacturer of the computer
2. Generation of the computer
3. Memory size of the computer
4. Type of computer

QUESTIONS 9-25 THROUGH 9-33 PERTAIN TO THE EXAMPLE INSTRUCTION FORMATS FOR A MAINFRAME COMPUTER WITH 32-BIT INSTRUCTIONS ON PAGES 8-8 THROUGH 8-10 IN THE TRAMAN.

9-25. A total of how many basic instruction formats are given?

1. One
2. Five
3. Seven
4. Nine

9-26. Which of the following fields are consistent in all the instruction formats?

1. Designator field (a) only
2. Function code (f) only
3. Designator field (a) and function code (f)
4. Function code (f) and subfunction code ( $f_2$ )

- 9-27. The a field is used to identify all except which of the following registers?
1. Stack pointer
  2. Accumulator
  3. Memory
  4. Index
- 9-28. Basic load, store, replace, and simple mathematical operations are performed using what instruction format?
1. I
  2. II
  3. IV-B
  4. V
- 9-29. Format II instructions perform all except which of the following types of operations?
1. Interrupt
  2. I/O commands
  3. Single precision mathematics
  4. Program sequence control jumps
- 9-30. What is the maximum value of a subfunction code of (a) two bits and (b) three bits?
1. (a) 2 (b) 3
  2. (a) 2 (b) 7
  3. (a) 3 (b) 5
  4. (a) 3 (b) 7
- 9-31. Formats IV-A and IV-B are half-word instructions and two of them may be stored in one memory word. Which of the following methods is used to keep track of upper/lower instruction execution?
1. Active status register
  2. Indirect addressing mode
  3. Monitor clock
  4. Accumulator
- 9-32. For operations such as setting, clearing, or testing an individual bit, what instruction format is used?
1. IV-B
  2. IV-C
  3. III
  4. II
- 9-33. For single- and double-precision floating-point math operations, what instruction format would be used?
1. I
  2. II
  3. III
  4. V
- 9-34. Which of the following are types of operand addressing?
1. Direct and indirect only
  2. Extended, immediate, and implicit only
  3. Indexed and relative only
  4. Direct, indirect, extended, immediate, implicit, indexed, and relative
- 9-35. In which addressing mode is the operand itself contained in the instruction?
1. Extended
  2. Immediate
  3. Implicit
  4. Relative
- 9-36. An instruction in which no operand address needs to be specified because the operation code contains all the information needed uses what addressing mode?
1. Extended
  2. Immediate
  3. Implicit
  4. Indexed



- 9-37. Which addressing mode requires the operand address to be generated when the instruction is being prepared for execution?
1. Indexed operand
  2. Immediate
  3. Indirect
  4. Direct
- 9-38. In relative addressing, what two items must be added together to obtain the correct instruction or operand address?
1. Base address and offset
  2. Base address and memory register
  3. Offset and index register
  4. Memory word and memory register
- 9-39. Instruction sizes vary among types and generations of computers. They include which of the following sizes?
1. Character and full-word only
  2. Full-word and half-word only
  3. Full-word and double-length word only
  4. Character, half-word, full-word, double-length word, and multiple word
- 9-40. Microcomputers commonly use instructions of what word lengths?
1. Multiple
  2. Double
  3. Full
  4. Half
- 9-41. Man-machine interfaces have at least data entry and data display capabilities.
1. True
  2. False
- 9-42. The data entry function of a man-machine interface is used to enter commands or set parameters for which of the following activities?
1. Test activities only
  2. Computer operations only
  3. Status and computer operations only
  4. Computer operations, status, and test activities
- 9-43. When a computer is continually executing instructions one after another as directed by its logic circuits and software, it is in what operating mode?
1. Run
  2. Step
  3. Phase
  4. Sequence
- 9-44. When you want to put the computer in the stop mode, which of the following methods can you use?
1. Manual action using STOP pushbutton
  2. Program control using a STOP instruction
  3. Both 1 and 2 above
  4. Timing clock circuits
- 9-45. What mode of operation enables a technician to test the contents of registers and memory locations at the end of each instruction execution?
1. Run
  2. Step
  3. Phase
  4. Sequence

9-46. Which of the following operating modes enable a technician to test conditions during the execution of an instruction?

1. Phase and sequence
2. Step and stop
3. Run and phase
4. Run and step

9-47. The purpose of master clear is to clear which of the following areas?

1. All I/O registers only
2. All CPU registers only
3. All I/O and CPU registers only
4. All memory locations only

#### QUESTIONS 9-48 THROUGH 9-65 PERTAIN TO MICROCOMPUTERS.

9-48. With a microcomputer, all of the following methods are commonly used to inform the processor of the system configuration except which one?

1. Battery protected storage
2. Switchboard panels
3. DIP switches
4. Jumpers

9-49. Each switch in a dual-inline package (DIP) indicates ON/OFF status. DIP switches can be used in which of the following ways?

1. Each single switch indicates the status of a component only
2. Each single switch indicates a requirement of the system operator only
3. Single and/or combinations of switches indicate the status of a component or the requirements of the system operator
4. Two switches must be used together to indicate any operational status

9-50. Board mounted DIP switches are designed so you can manually set them during which of the following tasks?

1. Component installation only
2. Component removal only
3. Initial configuration only
4. Component installation and removal, and initial configuration

9-51. Jumpers have which of the following characteristics?

1. Jumper settings are considered temporary
2. Jumpers must be physically removed and reinserted
3. Jumpers can only be manually positioned during component installation
4. Only a single jumper maybe used to specify a configuration option

9-52. A jumper connector consists of which of the following parts?

1. A receptacle only
2. A plug only
3. A receptacle and a plug
4. A set of switches

9-53. Jumpers have what purpose?

1. To define the configuration of each pcb
2. To connect the communications cables from a computer to an external device
3. To bridge a loose connection inside a computer chassis
4. To set a series of conditions to affect data flow within external devices

- 9-54. Which of the following are examples of functions affected by jumpers?
1. Mode of operation
  2. Clock speed and wait states
  3. I/O connections
  4. Each of the above
- 9-55. Newer microcomputers have a hardware/configuration program stored as firmware.
1. True
  2. False
- 9-56. In newer microcomputers, configuration data may be stored in which of the following ways?
1. In ROM
  2. In EPROM protected by a rechargeable battery
  3. In RAM protected by a rechargeable battery
  4. On disk or tape, depending on the microcomputer's design
- 9-57. In microcomputers with battery protected storage, where is the battery located?
1. In the keyboard
  2. On the backplane/motherboard
  3. In an external battery pack
  4. In the surge protector
- 9-58. DIP switches and battery protected storage provide different basic configuration data to the microcomputer.
1. True
  2. False
- 9-59. All of the following are examples of system setup/configuration options except which one?
1. Date and time data
  2. Floppy disk drive identifiers
  3. Type of video display and refresh time period
  4. ROM content
- 9-60. Microcomputers usually have which of the following types of power?
1. Ac only
  2. Fixed time period rechargeable battery only
  3. Ac and fixed time period rechargeable battery
  4. Ac and variable time period rechargeable battery
- 9-61. A voltage or line select switch allows a microcomputer to operate in which of the following voltage ranges?
1. 100 to 130 only
  2. 200 to 230 only
  3. 100 to 130 and 200 to 230 only
  4. 100 to 230
- 9-62. The keyboard and monitor of a microcomputer provide for all except which of the following functions?
1. Control cooling and battle short conditions
  2. Running software programs
  3. Performing tests
  4. Viewing results

- 9-63. Internal diagnostics are performed in the power on sequence. The computer notifies you of errors (a) in what way and that everything is correct (b) in what way?
1. (a) Displays an error message if possible
  - (b) Displays a message telling you to load the disk operating system
  2. (a) Displays a menu to enable you to run external diagnostics
  - (b) Displays a message telling you to load the DOS
  3. (a) Displays an error message if possible
  - (b) Loads DOS and displays an appropriate DOS display
  4. (a) Displays an error message always
  - (b) Loads DOS and displays an appropriate DOS display
- 9-64. Compared to internal diagnostics, LEDs provide which of the following advantages?
1. They simplify diagnostic software
  2. They are easier to read than displayed messages
  3. They save random access memory space
  4. They enable the operator to select tests
- 9-65. Under DOS, you can also use disk based diagnostics with test selection menus. These menus usually provide which of the information on the monitor?
1. Test selection only
  2. Test status only
  3. Test status and error indications only
  4. Test selection, test status, and error indications
- 9-66. In addition to providing information on the operating system and software programs, panels on some minicomputers provide which of following controls and indicators?
1. Power only
  2. Temperature only
  3. Power and temperature
- 9-67. Internal diagnostics, called built-in tests (BIT's), are designed to perform tests on which of the following devices?
1. CPUs only
  2. IOCs only
  3. CPUs and IOCs only
  4. CPUs, IOCs, and any optional circuits
- 9-68. The pass/fail results of BITs will be displayed on the front panel. To decipher an error code from a failed test result and find the location of the module that may fix the problem, you should take which of the following actions?
1. Ask the senior DS
  2. Look at the fault isolation table
  3. Write down the error code and submit it to the trouble- shooting desk
  4. Write down the error code and submit it to your supervisor

- 9-69. To configure a mainframe computer for reduced capability, you need to know which of the following information?
1. The capabilities and limitations of the system only
  2. How to set the controls and switches on the computer and the switchboard only
  3. How to set the controls and switches on the switchboard panels and the display and communications subsystems
  4. The capabilities and limitations of the system, and how to set the switches on the computer, the switchboard panels, and the communications subsystems
- 9-70. Power to a mainframe computer is critical. Which of the following methods maybe used to ensure there is stable power?
1. Circuit breaker protection
  2. Indicators for blower and logic to show if there is stable power
  3. Interrupts to indicate power fluctuations
  4. Each of the above
- 9-71. In addition to controls, switches, and pushbutton indicators, newer mainframe computers use which of the following devices to display status information and address the contents of registers?
1. Displays only
  2. Keyboards only
  3. Displays and keyboards
  4. Keyboards and voice generated messages
- 9-72. On mainframe computers, internal diagnostics to test hardware and return pass/fail results may include which of the following types?
1. Diagnostics on tape or disk
  2. Built-in tests (BITs)
  3. Tests on NDRO
  4. Both 2 and 3 above
- 9-73. To perform bootstrap on a minicomputer or mainframe computer, what type of memory is used?
1. DRAM
  2. SRAM
  3. CMOS RAM
  4. NDRO
- 9-74. Inspect and change routines are used on minicomputers and mainframe computers for which of the following purposes?
1. To ensure the software is operating properly
  2. To patch or revise software
  3. To change hardware configurations
  4. To change software/hardware interfaces
- 9-75. In a mainframe or minicomputer, what determines which peripheral device will be used to execute bootstrap?
1. The positions of the jumpers
  2. The position of the bootstrap switch
  3. The position on a DIP switch
  4. The position of the step switch

# ASSIGNMENT 10

Textbook Assignment: "Magnetic Tape Storage," chapter 9, pages 9-1 through 9-21.

---

- 10-1. Which of the following types of storage is used to store large amounts of data that are not required by the computer on a regular basis?
1. Main memory storage
  2. Secondary memory storage
  3. Tertiary memory storage
  4. Thin film memory storage
- 10-2. Magnetic tape can be used to store large amounts of data in a variety of convenient package sizes.
1. True
  2. False
- 10-3. Which of the following materials can be used as a base for magnetic tape?
1. Plastic
  2. Iron oxide
  3. Rubber
  4. Paper
- 10-4. Which of the following materials can be used to form the oxide coating of a magnetic tape?
1. Gamma ferric oxide only
  2. Chromium dioxide only
  3. Gamma ferric oxide and chromium dioxide
  4. Plastic
- 10-5. Which of the following procedures should NOT be used when magnetic tapes are handled?
1. Keep unused tapes in dustproof containers
  2. Keep containers free of dust and contaminants
  3. Store tapes in electromagnetically shielded cabinets
  4. Store tapes on the top of equipment
- 10-6. To identify magnetic tapes, use adhesive labels with which of the following characteristics?
1. Easily erasable
  2. Adhere permanently to tape containers
  3. Both 1 and 2 above
  4. Easily removable without leaving a residue
- 10-7. You should store tapes in the same room where they are to be used for which of the following reasons?
1. To reduce handling only
  2. To prevent variations in environmental conditions only
  3. To reduce handling and to prevent variations in environmental conditions
  4. To decrease the time needed to find the tape

- 10-8. When a new tape is received, what actions, if any, should you take?
1. Immediately mount the tape on a drive to read the information
  2. Condition the tape to the environment in which it is to be used
  3. Copy the tape as soon as it is received
  4. None; no special action is required
- 10-9. What effect, if any, could result from you touching the magnetic oxide of a tape?
1. The oils and acids from human skin could damage the tape
  2. Your fingers could turn brown from picking up bits of the oxide
  3. You could get sick because the oxide is extremely toxic
  4. None; no effect
- 10-10. A tape cleaner performs which of the following actions?
1. It shaves the oxide of the tape only
  2. It wipes down both sides of the tape with a cleaning solution only
  3. It first shaves the oxide side of the tape, then it wipes down both sides of the tape with a cleaning solution
  4. It alters the flux patterns on the tape
- 10-11. Which of the following maintenance actions reduces the static buildup on open reel magnetic tapes?
1. Degaussing
  2. Cleaning
  3. Certifying
  4. Stripping
- 10-12. A tape certifier performs all of the following tasks except which one?
1. Cleans the tape
  2. Erases the tape
  3. Checks the tape's ability to record high density data, to retain magnetic flux patterns, and to be demagnetized
  4. Restores the original data to the tape
- 10-13. For a tape that cannot be certified, what action, if any, should you take?
1. Destroy it
  2. Keep it for use as a scratch tape only
  3. Put it into general use because the standards of a tape certifier are higher than they need to be
  4. None; no action is required
- 10-14. To nullify all the magnetic flux patterns is the sole purpose of which of the following machines?
1. A cleaner
  2. A stripper
  3. A degausser
  4. A certifier
- 10-15. What area of a magnetic tape tends to show the greatest amount of wear?
1. The area just after BOT
  2. The area just before EOT
  3. The interrecord gap area
  4. The file mark
- 10-16. To correct a tape's worn or damaged areas, which of the following actions should be accomplished?
1. Degaussing
  2. Cleaning
  3. Stripping
  4. Splicing

10-17. After stripping a magnetic tape, what is the minimum length of tape you should leave on the reel?

1. 500 feet
2. 400 feet
3. 300 feet
4. 200 feet

10-18. You should not splice a tape for which of the following reasons?

1. Tape splices are generally the weakest point on the tape
2. Read and write operations may not perform properly in the area of the splice
3. Splicing a broken tape usually will not save the data
4. Each of the above

10-19. All tape media used in a system must be accounted for in which of the following ways?

1. Listed
2. Labeled only
3. Numbered only
4. Labeled and numbered

10-20. An operational program tape being delivered to a system is considered which of the following types of tape?

1. New
2. Used
3. Master
4. Scratch

10-21. A tape containing data that maybe written over is called what type of tape?

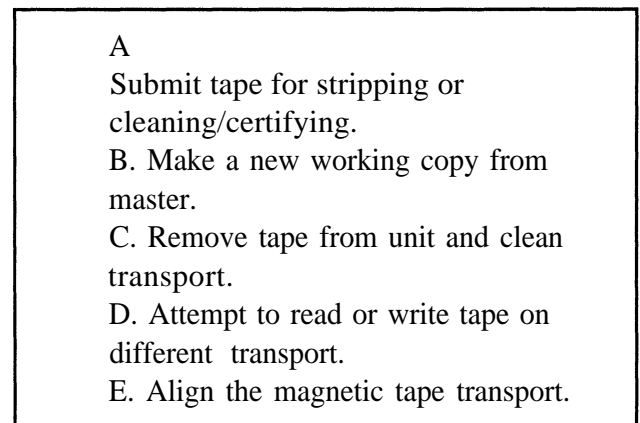
1. New
2. Used
3. Master
4. Scratch

10-22. Master tapes must be protected from which of the following operations?

1. Read
2. Write
3. copy
4. Duplication

10-23. Tapes generated from a master tape are referred to by which of the following terms?

1. New
2. Used
3. Working copies
4. Scratch



**Figure 10-A.—Magnetic tape maintenance actions.**

IN ANSWERING QUESTIONS 10-24 THROUGH 10-26, SELECT FROM FIGURE 10-A THE PROPER MAINTENANCE ACTION TO CORRECT THE PROBLEM DESCRIBED IN THE QUESTION.

10-24. A working copy receives read errors from several tape transports.

1. A
2. B
3. C
4. D



10-25. The tape has visible damage.

1. A
2. B
3. D
4. E

10-26. A tape reads properly from all transport is except one.

1. A
2. B
3. D
4. E

10-27. What is the form taken by a tape after it has been wound on a reel?

1. Tape
2. Tape deck
3. Tape roll
4. Tape pack

10-28. What winding error causes steps to be observed in the tape pack?

1. Windowing
2. Spoking
3. Pack slip
4. Cinching

10-29. What tape condition is caused when a loosely wound tape is exposed to extreme heat or humidity?

1. Windowing
2. Spoking
3. Pack slip
4. Cinching

10-30. What tape condition is caused when tension is increased toward the end of the winding operation?

1. Windowing
2. Spoking
3. Pack slip
4. Cinching

10-31. Storage of data using a magnetic tape unit is based on which of the following principles?

1. Current flow in a conductor can be generated by a change in the magnetic lines of force that cut through a conductor
2. Changing the current flow in a conductor creates a change in the magnetic lines of force radiating from the conductor
3. Both 1 and 2 above
4. Current flow cannot be created by moving a conductor through a magnetic field

10-32. The electromagnetic-type conductor used to create a magnetic spot on a magnetic tape is called a

1. read head
2. write head
3. flux pattern
4. magnetic oxide

10-33. A magnetic spot recorded on a magnetic surface may be sensed by an electromagnetic-type conductor called a

1. read head
2. write head
3. flux pattern
4. magnetic oxide

10-34. Data stored on a magnetic surface may only be read once.

1. True
2. False

- 10-35. A flux pattern magnetized in one direction to indicate a binary ONE and the opposite direction to indicate a binary ZERO is a characteristic of which of the following recording techniques?
1. Return-to-zero
  2. Non-return-to-zero
  3. Phase encoding
- 10-36. Using narrow current spikes to write small flux patterns is a characteristic of which of the following recording techniques?
1. Return-to-zero
  2. Non-return-to-zero
  3. Phase encoding
- 10-37. A binary ONE indicated by a change in flux direction is a characteristic of which of the following recording techniques?
1. Return-to-zero
  2. Non-return-to-zero
  3. Phase encoding
- 10-38. What recording technique, if any, provides for the highest data density?
1. Return-to-zero
  2. Non-return-to-zero
  3. Phase encoding
  4. None; they all provide the same density
- 10-39. An invisible line on a tape where data is written or read a bit at a time is called a
1. file
  2. frame
  3. record
  4. track
- 10-40. Data bits written concurrently across the width of the tape are called a
1. file
  2. frame
  3. record
  4. track
- 10-41. Which of the following terms indicates the density of data stored on multitrack tape?
1. Bits per inch
  2. "Characters per inch
  3. Frames per inch
  4. Records per inch
- 10-42. A nine-track magnetic tape contains (a) what number of data bits and (b) what number of parity bits?
1. (a) 7 (b) 2
  2. (a) 8 (b) 1
  3. (a) 9 (b) 1
  4. (a) 9 (b) 0
- 10-43. In which of the following recording techniques is the presence of a frame indicated by the detection of a binary ONE?
1. Return-to-zero
  2. Phase encoding
  3. Non-return-to-zero
  4. Non-return-to-zero indiscrete
- 10-44. When writing or searching for data, which of the following tape markings is a common starting point used by a system?
1. BOT
  2. EOT
  3. Both 1 and 2 above
  4. IRG

10-45. Data cannot be written or read under which of the following conditions?

1. The tape is stopped
2. The tape is just starting to move
3. The tape is stopping movement
4. All of the above

10-46. The start/stop effect creates a blank spot on the tape until which of the following conditions is met?

1. The tape is up to speed
2. The tape is stopped
3. The tape is starting to move
4. The tape is stopping movement

10-47. A group of contiguous frames is called a

1. file
2. record
3. software
4. track

10-48. Record length is fixed by the magnetic tape device.

1. True
2. False

10-49. A file can be defined as a group of

1. bits
2. characters
3. frames
4. records

10-50. Every file on a tape ends with a

1. file mark
2. interrecord gap
3. parity bit
4. record

10-51. Which of the following parity checks uses each frame's parity bit?

1. Odd
2. Even
3. Lateral
4. Longitudinal

10-52. The parity bit in a seven-track frame consisting of 011 101 would be a ONE for which of the following parity formats?

1. Odd
2. Even
3. Lateral
4. Longitudinal

10-53. Odd parity is commonly used with non-return-to-zero indiscrete recording for what purpose?

1. File mark
2. Frame identification
3. Interrecord timing
4. Tape speed

10-54. Which of the following parity checks uses a check frame?

1. Odd
2. Even
3. Lateral
4. Longitudinal

10-55. Each bit in the check frame contains the parity bit for all the ONES in a particular

1. file
2. frame
3. record
4. track

- 10-56. Which of the following is NOT a function of the magnetic tape controller?
1. Receives data and commands from the computer
  2. Reformats data into frame-size bytes
  3. Detects BOT
  4. Checks parity
- 10-57. The tape speed for all read, write, and search operations is what total number of inches per second?
1. 100
  2. 120
  3. 180
  4. 200
- 10-58. Tapes without a write-enabling ring are protected from the write operation.
1. True
  2. False
- 10-59. What MTU operation compares the first word of each record to a specified key?
1. Read
  2. Search
  3. Space file
  4. Write
- 10-60. During a rewind operation, what signal will cause tape motion to stop?
1. BOT
  2. EOT
  3. Low tape
  4. Start of file tape mark
- 10-61. MTU operations that can be performed offline using the microprogrammed controller (MPC) are determined by the MPC program installed by the
1. operator
  2. computer
  3. manufacturer
  4. maintenance technician
- 10-62. What functional area of a magnetic tape unit decodes external function words from the computer?
1. System control panel
  2. Maintenance panel
  3. Magnetic tape transport
  4. Control unit
- 10-63. The MPC transmits data via which of the following data buses?
1. Source bus only
  2. Destination bus only
  3. Source and destination buses
  4. ROM bus only
- 10-64. Which of the following control unit functions are NOT performed by the MPC?
1. Frame count checking for lost frames
  2. Start/stop delay initiation
  3. Read/write signal amplification
  4. Search operations comparisons
- 10-65. Which of the following components contains controls and indicators for manual offline operations?
1. The maintenance panel
  2. The system control panel
  3. The magnetic tape transport
  4. The microprogrammed controller

- 10-66. Which of the following components contains the controls and indicators for primary power and tape transport manual control?
1. The maintenance panel
  2. The system control panel
  3. The magnetic tape transport
  4. The microprogrammed controller
- 10-67. Of the following operations, which one is NOT performed by the magnetic tape transport (MTT) control section?
1. Provides control signals for manual operations of the MTT
  2. Acts as an interface for MTU control signals and status responses
  3. Sends signals to light the MTT switch panel indicators
  4. Provides timing pulses and a servo-movement control signal to the capstan
- 10-68. The direction and speed of the supply and take-up servo motors are controlled by which of the following methods?
1. The size of the tape loop in the vacuum column
  2. The direction and speed of the capstan motor
  3. The capstan tachometer
  4. The function being performed
- 10-69. Which of the following MTT sections controls the speed and direction of tape movement?
1. Air control solenoids
  2. Capstan servo-control
  3. Supply reel servo-control
  4. Take-up reel servo-control
- 10-70. The supply and take-up reel servo-driven hubs attempt to maintain the tape loops in which of the following positions as shown in figure 10-20?
1. Above sensor A
  2. Below sensor D
  3. Between sensors B and C
  4. Between sensors A and D
- 10-71. The speed and direction of the servo-driven hubs are controlled by all of the following conditions except which one?
1. Capstan direction and velocity
  2. Reel tachometer input
  3. Vacuum/pressure sensors in the buffer columns
  4. Read or write operation being performed
- 10-72. Which of the following diagnostic programs are controlled by the MPC ROM?
1. POFA
  2. PEFT
  3. Internal diagnostics
  4. All of the above
- 10-73. Which of the following diagnostic programs are run under the control of the operational program?
1. POFA
  2. PEFT
  3. Internal diagnostics
  4. All of the above
- 10-74. Which of the following POFA tests checks the ability of the MTU to respond to computer commands and to provide status and error condition information to the computer?
1. The duplex test
  2. The extended operation test
  3. The function and format test
  4. The transport compatibility test

10-75. Which of the following POFA tests checks the MTU's ability to read the same tape on several MTTs?

1. The duplex test
2. The extended operations test
3. The function and format test
4. The transport compatibility test

# ASSIGNMENT 11

Textbook Assignment: "Magnetic Disk Storage," chapter 10, pages 10-1 through 10-21.

---

- 11-1. Magnetic disks are generally used as which of the following types of storage?
1. Main memory
  2. Secondary storage
  3. Tertiary storage
- 11-2. The original fixed disk had which of the following maximum capacities?
1. 5 megabytes
  2. 10 megabytes
  3. 20 megabytes
  4. 50 megabytes
- 11-3. The first floppy disks had a diameter of (a) what number of inches and a maximum capacity of (b) how many kilobytes?
1. (a) 5 (b) 180
  2. (a) 5 (b) 360
  3. (a) 8 (b) 180
  4. (a) 8 (b) 360
- 11-4. The top and bottom surfaces of a removable disk pack are usually used for what purpose?
1. Data storage
  2. Protection
  3. Servo data
  4. Indexing
- 11-5. Fixed disks have which of the following characteristics?
1. They are small sealed units with one or more platters
  2. They are easily removed from the computer
  3. They are only used with mainframe computers
  4. They are not broken
- 11-6. The 5.25-inch floppy disk is available with which of the following densities?
1. 360K only
  2. 720K only
  3. 1.2M only
  4. 360K, 720K, and 1.2M
- 11-7. The 3.5-inch floppy disk is available with which of the following densities?
1. 360K only
  2. 720K only
  3. 1.44M only
  4. 720K and 1.44M
- 11-8. Formatting a disk performs which of the following operations?
1. Writes tracks only
  2. Writes sectors only
  3. Writes cylinders only
  4. Writes tracks and sectors

- 11-9. Concentric rings used to store data on disk are called
1. bytes
  2. tracks
  3. records
  4. cylinders
- 11-10. Track 00 is physically located on a disk's recording surface in which of the following places?
1. Top track
  2. Bottom track
  3. Innermost track
  4. Outermost track
- 11-11. A cylinder address number is comprised of which of the following numbers?
1. Cylinder number only
  2. Track number only
  3. Sector number only
  4. Cylinder number, sector number, and head number
- 11-12. In a personal computer, which of the following data management areas is NOT created by the DOS<sup>1</sup> format program?
1. Root directory
  2. Subdirectory
  3. Disk boot sector
  4. File allocation table
- 11-13. A new fixed disk installed in a personal computer needs to have what operation(s), if any, run before it is ready to store data?
1. Format only
  2. High-level format only
  3. Format and high-level format
  4. None; new disks are ready to run
- 11-14. In a personal computer using DOS version 5, the root directory of a 40 megabyte fixed disk can have what maximum number of entries?
1. 128
  2. 256
  3. 512
  4. 640
- 11-15. The DOS directory system is a file system that enables DOS to manage files.
1. True
  2. False
- 11-16. In DOS, the maximum number of characters in a file name is
1. 8
  2. 9
  3. 10
  4. 11
- 11-17. In DOS, the maximum number of characters in a file extension is
1. one
  2. two
  3. three
  4. four
- 11-18. Using DOS on a personal computer, a total of how many bytes comprise a directory entry?
1. 32
  2. 48
  3. 64
  4. 80

---

<sup>1</sup>References to DOS refer to Microsoft® Disk Operating Systems (MS-DOS®).



- 11-19. Which of the following parameters is NOT part of the DOS file allocation table (FAT) entry?
1. A bad cluster code written during formatting
  2. A DOS cluster available for storage
  3. The file name stored in that DOS cluster
  4. An end of the file code
- 11-20. On a 5.25-inch floppy disk, which of the following materials is used as the magnetic coating?
1. Chromium dioxide only
  2. Iron oxide only
  3. Cobalt only
  4. Iron oxide or cobalt, depending on the density of the disk
- 11-21. The index hole on a 5.25-inch soft sectored floppy disk is used to indicate the
1. start of sector 1 of each track
  2. start of track 1
  3. start of each sector
  4. end of the data storage area of the disk
- 11-22. To protect a 5.25-inch floppy disk from being written on, which of the following actions should you take?
1. Ensure the write enable notch is not obstructed
  2. Cover the write enable notch with a piece of tape
  3. Format the disk as read only
  4. Disable the write circuitry on the disk drive
- 11-23. To allow for greater densities on a 3.5-inch floppy disk, the plastic cover provides what function, if any?
1. It stabilizes the disk as the disk spins
  2. It makes it harder to damage the disk
  3. It allows for greater disk speeds
  4. None; it serves no function in increasing disk density
- 11-24. When handling a 3.5-inch floppy disk, what feature, if any, eliminates the need for you to keep the disk in a disk jacket?
1. The rigid plastic case
  2. The spring-loaded metal shutter
  3. The exposed media access hole
  4. None; you should always store a 3.5-inch disk in a jacket
- 11-25. What action, if any, is necessary to write data on a 3.5-inch disk?
1. Ensure the write enable slide is positioned so you can see a hole in the disk case
  2. Ensure the write enable slide is positioned so that no hole is visible through the disk case
  3. Ensure the disk has not been formatted
  4. None; no action is necessary to write on a 3.5-inch disk
- 11-26. The presence of a media indicator hole in a 3.5-inch disk case indicates what about the disk?
1. It has been properly inserted in the drive
  2. It can be formatted as a 720K disk only
  3. It can be formatted as a 1.44M disk
  4. It has been preformatted

- 11-27. The drive motor in a 5.25-inch, 1.2M disk drive spins at which of the following speeds?
1. 200 rpm
  2. 260 rpm
  3. 300 rpm
  4. 360 rpm
- 11-28. The drive motor on most half-height floppy disk drives is which of the following types of motors?
1. Gear box drive
  2. Direct drive
  3. Servo drive
  4. Belt-drive
- 11-29. To adjust the speed of some older full-height, belt-driven floppy disk drives, which of the following actions should be performed?
1. Replace the drive belt only
  2. Observe the data on the floppy disk with an oscilloscope and adjust for maximum signal
  3. Observe the drive speed frequency with an oscilloscope and adjust for proper speed
  4. Observe the strobo-disk under a fluorescent light and adjust the speed until the strobo-disk spokes appear to be stationary
- 11-30. Which of the following is NOT a function of the drive electronics circuit board?
1. To control the electromechanical parts of the disk drive
  2. To control the operation of the read/write heads
  3. To interface the disk drive to the computer
  4. To interface the disk drive to the disk controller
- 11-31. A 4-pin, in-line connector on the drive electronics circuit board of a floppy disk drive serves which of the following functions?
1. To provide power to the drive
  2. To provide control signals to the drive
  3. To transfer serial data from the heads to the drive controller
  4. To transfer serial data from the disk controller to the write head
- 11-32. The head actuator assembly in a floppy disk drive has what purpose?
1. To retract the heads so the disk can be removed from the drive only
  2. To move the heads to the proper position on the disk
  3. To enable the write heads
  4. To enable the read heads
- 11-33. The two read/write heads in a floppy disk drive move independently of one another.
1. True
  2. False
- 11-34. Which of the following is a description of the construction of the read/write heads in a floppy disk drive?
1. They are made of a hard ferrous material with electromagnetic coils for reading and writing
  2. They are made of a soft ferrous material with electromagnetic coils for reading and writing
  3. They are made of plastic with electromagnetic coils for reading and writing
  4. They are made of a hard ferrous material only and do not need any coils

- 11-35. The write head is centered between two erase heads for which of the following reasons?
1. To erase the previous data before new data is written
  2. To cancel the write current when a read operation is performed
  3. To ensure that data being written does not spill over to adjacent tracks
  4. To erase the previous data after the new data is written
- 11-36. The number of tracks per inch that can be reliably written on a disk is called the
1. linear coercivity
  2. longitudinal coercivity
  3. linear density
  4. longitudinal density
- 11-37. The number of bits per inch that can be reliably written on a track is called the
1. linear coercivity
  2. longitudinal coercivity
  3. linear density
  4. longitudinal density
- 11-38. The strength of the magnetic field required to properly record data on a magnetic medium is referred to by which of the following terms?
1. Coercivity
  2. Oersteds
  3. Density
  4. Ferrous
- 11-39. Oersteds are used to make what type of measurements?
1. Magnetic field strength
  2. Permeability of a ferrous material
  3. Magnetic density
  4. Magnetic polarity
- 11-40. A 5.25-inch floppy disk that is labeled as DSDD has a maximum data capacity of
1. 180 kilobytes
  2. 360 kilobytes
  3. 720 kilobytes
  4. 1.2 megabytes
- 11-41. The track width of a 3.5-inch floppy disk is
1. 0.115 mm
  2. 0.16 mm
  3. 0.33 mm
  4. 0.45 mm
- 11-42. Reading a 5.25-inch, 360K disk in a 1.2M disk drive will cause what problem, if any?
1. The disk drive will read the disk with massive read errors
  2. The disk drive will be unable to read the disk at all
  3. The 360K disk will not fit into a 1.2M disk drive
  4. No problem; the disk drive will read the disk normally
- 11-43. Using a 1.2M, 5.25-inch drive to write data on a 5.25-inch, 360K disk that was originally created in a 360K disk drive will result in what problem, if any?
1. The 1.2M drive will not write on a 360K disk
  2. The 360K disk will not fit into a 1.2M drive
  3. The 1.2M drive will write a narrow track through the wider track on the 360K disk, which could result in read errors
  4. None; no problem will be encountered

- 11-44. Formatting a 5.25-inch, 360K DSDD disk as a 1.2M HD disk will result in what problem, if any?
1. The disk will not format because the DOS format program will check the media indicator on the disk and not permit the operation
  2. The disk will appear to format correctly, but will be unreliable because of the increased write current required for high density disks
  3. The disk will appear to format correctly, but will be unreliable because of the decreased write current required for high density disks
  4. None; no problem will be encountered
- 11-45. Formatting a 720K DSDD, 3.5-inch floppy disk as a 1.44M will result in what problem, if any?
1. The disk will not format because the DOS format program will check the media indicator on the disk and not permit the operation
  2. The disk will appear to format correctly, but will be unreliable because of the increased write current required for high density disks
  3. The disk will appear to format correctly, but will be unreliable because of the decreased write current required for high density disks
  4. None; no problem will be encountered
- 11-46. A high-density disk can be used in a low-density drive with no problems.
1. True
  2. False
- 11-47. The drive select jumper on a floppy disk drive's electronics card is used to select which of the following functions?
1. Drive type
  2. Drive density
  3. Drive address
  4. Drive operating speed
- 11-48. When installing a floppy drive with a straight two-drive daisy chain cable, you should connect Drive A to (a) what connector and set the drive select jumper to (b) what drive?
1. (a) End (b) DS0
  2. (a) End (b) DS1
  3. (a) Middle (b) DS0
  4. (a) Middle (b) DS1
- 11-49. The twist in a floppy disk cable was designed for which of the following reasons?
1. To ease floppy drive installation by setting all drives to DS1
  2. To ease floppy drive installation by setting all drives to DS0
  3. To ease floppy drive installation by setting drive A to DS0 and drive B to DS1
  4. To confuse floppy drive installation
- 11-50. The twist in a floppy drive cable cross connects which of the following pins?
1. 10 through 16 only
  2. 10 through 20
  3. 20 through 26 only
  4. 20 through 30

- 11-51. The terminating resistor on a floppy drive is used to supply the proper load to (a) what device and should be connected on the floppy disk at (b) what point on the cable?
- (a) Computer (b) middle
  - (a) Computer (b) end
  - (a) Disk controller (b) middle
  - (a) Disk controller (b) end
- 11-52. The media sensor detects a hole for which of the following disks?
- 5.25-inch, 360K disks
  - 5.25-inch, 1.2M disks
  - 3.5-inch, 720K disks
  - 3.5-inch, 1.44M disks
- 11-53. It is impossible to recover data on a disk that has been damaged.
- True
  - False
- 11-54. Large magnetic disk memory sets are generally used with which of the following computers?
- Mainframe computers
  - Minicomputers
  - Personal computers only
  - Microcomputers
- 11-55. The diameter of most magnetic disk packs is
- 10 inches
  - 12 inches
  - 14 inches
  - 16 inches
- 11-56. The top and bottom platters of most disk packs are used for which of the following functions?
- To store data
  - To provide position data
  - Both 1 and 2 above
  - To provide protection to the pack
- 11-57. The servo surface of a disk pack is used for which of the following functions?
- To control the movement of the read/write heads
  - To maintain alignment of the read/write heads over the proper track
  - Both 1 and 2 above
  - To provide additional data storage area
- 11-58. When the summing of dipole bits on the disk servo surface is equal to zero volts, which of the following conditions exist?
- The heads are on an odd numbered track only
  - The heads are on an even numbered track only
  - The heads are between tracks
  - The heads are centered on a track
- 11-59. On a typical disk memory set's operator panel, which of the following conditions is NOT indicated by the READY indicator?
- The disk drive address
  - The disk is up to operating speed
  - The heads are properly loaded
  - No-fault conditions are present
- 11-60. On a disk memory set's status/maintenance panel, a fault code of 5 indicates what fault condition?
- Voltage fault
  - Seek error
  - Multiple heads selected fault
  - No heads selected fault

- 11-61. The FORMAT WRITE PROTECT switch on a disk memory unit's status panel protects the disk from being inadvertently formatted by which of the following format commands?
1. Commands from the computer only
  2. Commands from the status/maintenance panel only
  3. Commands from the computer and the status/maintenance panel
- 11-62. The functions performed by the disk memory set's controller microprocessor are governed by which of the following methods?
1. The firmware stored in a ROM
  2. The software in the CDS computer
  3. The firmware stored in the RAM
  4. The software stored in the RAM
- 11-63. The buffer memory in the disk memory set's computer is used for which of the following functions?
1. To prevent data from being read from the disk during a write operation
  2. To prevent data from being written on the disk during a read operation
  3. To prevent the loss of data when reading or writing
  4. To hold the external function from the computer
- 11-64. A disk memory set is capable of reading and writing data on the same disk at the same time.
1. True
  2. False
- 11-65. A single disk memory set controller is capable of controlling a total of how many drives?
1. One
  2. Two
  3. Three
  4. Four
- 11-66. In a disk memory set's controller to disk drive interface, each drive is connected to the controller by which of the following means?
1. A daisy chained A cable only
  2. A daisy chained B cable only
  3. Both a daisy chained A and a daisy chained B cable
  4. A daisy chained A cable and a unique B cable
- 11-67. The A cable in a disk memory set's controller to drive interface is used for which of the following functions?
1. Interrupt signal processing only
  2. Send timing signals for read/write operations only
  3. Microprocessor control of the drives
  4. Data interface between the drive and controller
- 11-68. In a disk memory set, converting 16-bit parallel data into a serial NRZ pulse train is a function of which of the following areas?
1. Controller microprocessor
  2. Controller buffer memory
  3. Data bus control unit
  4. Disk control logic

- 11-69. In a disk memory set, the data bus control unit gives the highest priority to which of the following transfer requests?
1. Disk control logic and buffer memory
  2. Processor input and output holding register
  3. Input/output channel
  4. Computer generated input data
- 11-70. In a disk memory set, data is written on the disk using which of the following encoding methods?
1. Phase encoding
  2. Non-return-to-zero
  3. Non-return-to-zero-indiscrete
  4. Modified frequency modulation
- 11-71. Which of the following speeds is the minimum speed required for the heads of a disk memory set to load?
1. 3,000 rpm
  2. 3,100 rpm
  3. 3,200 rpm
  4. 3,600 rpm
- 11-72. In a disk memory set, if the disk drive motor's speed drops below 3,100, which of the following events will occur?
1. The heads will crash into the disk
  2. The heads will automatically unload or retract
  3. The disk memory set will automatically turn off power
  4. The disk memory set will continue to operate normally
- 11-73. The speed of the drive motor in a disk memory set is sensed by which of the following devices?
1. A tachometer
  2. A magnetic switch
  3. An optical switch
  4. A laser switch
- 11-74. The static ground spring mounted on the lower end of the spindle assembly serves which of the following functions?
1. Protects the disk from a buildup of static electricity
  2. Provides power to the spindle
  3. Maintains proper pressure of the spindle and the disk
  4. Provides a static charge to the spindle
- 11-75. Which of the following assemblies are NOT part of the actuator assembly?
1. Carriage and voice coil assembly
  2. Rail bracket assembly
  3. Head/arm assemblies
  4. Magnet assembly

# ASSIGNMENT 12

Textbook Assignment: "Magnetic Disk Storage", chapter 10—Continued, pages 10-21 through 10-33; and "CD-ROM Storage", chapter 11, pages 11-1 through 11-7.

---

- 12-1. The velocity transducer in a disk memory set drive unit helps control the acceleration and deceleration of which of the following parts?
1. The drive motor
  2. The spindle assembly
  3. The carriage assembly
  4. The operating frequency of the system clock
- 12-2. The polarity and amplitude of the voltage induced into the velocity transducer coil by the transducer core indicates which of the following movements are occurring?
1. The speed the disk is rotating
  2. The speed of the carriage assembly only
  3. The direction of travel of the carriage assembly only
  4. The speed and direction of the carriage assembly movement
- 12-3. The servo circuit used to position the read/write heads in a disk memory set is centered on the right track when the error voltage is equal to
1. -1 volt
  2. 0 volts
  3. +1 volt
  4. +5 volts
- 12-4. The feedback signal in the velocity transducer servo circuit performs which of the following functions?
1. It is used to move the carriage faster
  2. It tells the servo circuit when the desired location is reached
  3. It opposes the position error and dampens carriage movement
  4. It moves the heads by one track
- 12-5. If a disk has an error on its servo surface, it is possible to rewrite the servo surface.
1. True
  2. False
- 12-6. The number of sectors per track that will be written on a disk memory set disk pack is selectable by what means, if any?
1. The sector select switch only
  2. A set sector size command from the computer only
  3. Either the sector select switch or a set sector size command from the computer; the result is the same
  4. Not selectable, the number of sector per track is fixed



- 12-7. When a disk pack is formatted, the locations of the tracks are controlled by which of the following factors?
1. The prerecorded tracks on the servo disk surface
  2. The smallest increment the actuator assembly can move the heads
  3. An operator controlled entry of number of tracks
  4. A computer command designating number of tracks per inch
- 12-8. When a magnetic disk set is operating normally, what is the relationship, if any, between the position of the heads and the disk's surface?
1. The heads physically contact the disk
  2. The heads are held above the disk surface by the head arm springs
  3. The heads float above the surface of the disk on a cushion of air
  4. None; the position of the heads does not affect disk operation
- 12-9. Which of the following procedures will help prevent damage to the disk pack?
1. Store the disk pack on its side
  2. Store the disk pack in an area where large magnetic fields exist
  3. Never reassemble the disk pack canister if it is empty
  4. Never touch the disk pack's recording surfaces
- 12-10. The term fixed hard disk system refers to which of the following devices?
1. A hard disk system that is not broken
  2. A hard disk system in which the disk is in a sealed case and inaccessible to the user
  3. A hard disk system in which the hard disk is contained in a removable cartridge
  4. A hard disk system that cannot be used with a microcomputer
- 12-11. The head disk assembly of a fixed disk system usually contains all of the following parts except which one?
1. The heads
  2. The disk platters
  3. The head actuator
  4. The disk controller
- 12-12. The maximum number of platters that a half-height, fixed disk system may contain is
1. five
  2. six
  3. seven
  4. eight
- 12-13. In the manufacture of a fixed hard disk, which of the following processes for applying the magnetic material is similar to the process used in creating semiconductors?
1. Sputtering
  2. Plating
  3. Electroplating
  4. Coating
- 12-14. Which of the following materials is most commonly used as a base for fixed hard disk platters?
1. Polyester film
  2. Aluminum alloy
  3. Iron alloy
  4. Plastic
- 12-15. Having the thinnest magnetic media applied to the disk platters has which of the following advantages?
1. A smaller space on the disk is required to reliably store data
  2. The head can fly closer to the disk
  3. A smaller magnetic field strength is required to reliably store data
  4. All of the above

- 12-16. In a magnetic disk system, reducing the flying height of the heads has which of the following advantages?
1. Requires a stronger current to accurately write on the disk
  2. Reduces the signal to noise ratio, increasing the accuracy of the disk
  3. Increases the signal to noise ratio, increasing the accuracy of the disk
  4. Increases the physical space on the disk required to store data
- 12-17. The U-shaped groove in the bottom of a thin film head is used for what function?
1. To regulate the air pressure and control the flying height of the head
  2. To direct the magnetic field from the head onto the disk when writing
  3. To channel the magnetic field from the disk to the head when reading
  4. To hold the erase head
- 12-18. The mechanical system that moves the heads across the disk surface is known as the
1. head drive system
  2. head arm
  3. head actuator
  4. disk drive motor
- 12-19. A motor that moves in precise detents when a drive signal is applied is known as a
1. voice coil motor
  2. stepper motor
  3. servo motor
  4. synchro
- 12-20. Which of the following actuators could suffer a loss of data because of variations in temperature?
1. Voice coil
  2. Stepper motor
  3. Servo motor
  4. Synchro
- 12-21. For proper positioning of the heads, which of the following actuators requires a dedicated servo surface or servo signal embedded in the sector gaps?
1. Voice coil
  2. Stepper motor
  3. Servo motor
  4. Synchro
- 12-22. The speed of the spindle motor in a fixed disk is controlled by which of the following devices?
1. An optical sensor
  2. A tachometer only
  3. A feedback loop only
  4. A tachometer and feedback loop
- 12-23. Timing and synchronization between a fixed disk drive and the drive controller are accomplished by which of the following means?
1. A clock on the controller
  2. A clock on the disk drive logic board
  3. Special timing signals on the disk
  4. Data and flux reversal pulses
- 12-24. Which of the following data encoding methods is NOT used with fixed disk drives?
1. Modified frequency modulation
  2. Frequency modulation
  3. Run length limited
  4. Non-return-to-zero indiscrete

12-25. A fixed disk system that uses frequency modulation to encode data would store the byte 10100001 as which of the following codes (P=pulse, N=no pulse)?

1. PPPNPNPNPPPPPNP
2. PPPNPPNPNPNPNPP
3. NPPNPPPPPPPPPNP
4. NPNPNPNPNPNPNPNP

12-26. Which of the following data encoding methods groups bits together and uses a table to determine what code is written on the disk?

1. Non-return-to-zero
2. Frequency modulation
3. Modified frequency modulation
4. Run length limited

12-27. A fixed disk system using modified frequency modulation will encode a logic ZERO that is preceded by a logic ONE in which of the following ways?

1. No pulse followed by a pulse
2. A pulse followed by no pulse
3. Two no-pulse periods
4. Two pulses

12-28. Which of the following encoding methods will increase by 50 percent the data density and transfer rate of a fixed disk system?

1. Run length limited
2. Non-return-to-zero
3. Frequency modulation
4. Modified frequency modulation

12-29. The encoding method used to write data on a fixed disk is determined by which of the following means?

1. The application software installed in the computer
2. The disk operating system (DOS) installed in the computer
3. The disk controller
4. The manufacturer of the disk drive

12-30. The run length limited encoding method can be used with any fixed disk drive.

1. True
2. False

12-31. A fixed disk's interleave factor is the relationship between what two items?

1. The physical sectors and the logical sectors of a track
2. The disk drive and the disk controller
3. The disk drive and the encoding method used to store data
4. The disk drive and the computer

12-32. Interleaving a fixed disk has which of the following effects?

1. Increases data density on the disk
2. Decreases data density on the disk
3. Increases data retrieval and transfer time
4. Decreases data retrieval and transfer time

12-33. On a fixed disk with nine sectors per track and an interleave factor of 4:1, which of the following would be the physical sector numbering?

1. 1,9,7,5,3,2,8,6,4
2. 1,8,6,4,2,9,7,5,3
3. 1,2,3,4,5,6,7,8,9
4. 1,4,8,3,7,2,6,5,9

12-34. Which of the following interleave factors would provide the fastest data transfer rate?

1. 4:1
2. 3:1
3. 2:1
4. 1:1

12-35. Which of the following drive interfaces is a smart interface that can disconnect itself from the computer while it processes computer requests?

1. ST-506/412
2. IDE
3. ESDI
4. SCSI

12-36. Which of the following interfaces requires that a set-up program in the computer be run to describe the fixed disk drive's characteristics?

1. ST-506/412
2. IDE
3. ESDI
4. SCSI

12-37. Which of the following interfaces has the data encoder/decoder on the controller card?

1. ST-506/412
2. IDE
3. ESDI
4. SCSI

12-38. Which of the following interfaces could damage a disk if a low-level format is attempted?

1. ST-506/412
2. IDE
3. ESDI
4. SCSI

12-39. Which of the following interfaces is actually a host adapter, capable of interfacing up to eight devices?

1. ST-506/412
2. IDE
3. ESDI
4. SCSI

12-40. Which of the following interfaces is capable of formatting a drive up to 60 sectors per track and can support a 1:1 interleave?

1. ST-506/412
2. IDE
3. ESDI
4. SCSI

12-41. Which of the following interfaces is now being manufactured on the motherboards of personal computers?

1. ST-506/412
2. IDE
3. ESDI
4. SCSI

12-42. While performing a low-level format on a fixed disk system, which of the following operations are executed by the format program?

1. Checks for bad tracks and marks them with a checksum code
2. Writes the sectors and tracks on the disk
3. Both 1 and 2 above
4. Divides the disk into DOS partitions

12-43. Write precompensation helps eliminate data errors by what method, if any?

1. Increasing the number of bytes per sector as the heads move toward the inner tracks of the disk
2. Decreasing the number of bytes per sector as the heads move toward the inner tracks of the disk
3. Changing the spacing of the magnetic fields as the heads move toward the inner tracks of the disk
4. None; write precompensation does not help eliminate data errors

12-44. Decreasing the amount of current used to write data on the inner tracks of the disk is known as

1. write precompensation
2. reduced write current
3. low-level disk format
4. disk partitioning

12-45. Write precompensation and reduced write current are necessary for which of the following reasons?

1. The inner tracks of the disk are larger than the outer tracks
2. The inner tracks of the disk are smaller than the outer tracks
3. The disk spins faster when reading the inner tracks
4. The disk spins slower when reading the inner tracks

12-46. Running the DOS FDISK program on a fixed disk in a personal computer performs which of the following functions?

1. Prepares the DOS boot sector on the disk
2. Creates the file allocation table on the disk
3. Writes the sectors on the disk
4. Creates the root directory

12-47. When you erase a file on a disk in a personal computer, which of the following operations does DOS perform?

1. Finds the file and writes all ZEROS to the sectors on the disk that the file occupied
2. Finds the file and writes all ONES to the sectors on the disk that the file occupied
3. Changes the code in the FAT to indicate the clusters the file occupied are available for data storage
4. Changes the code in the root directory to indicate the file is erased

12-48. A virus may only infect your personal computer if it loaded in which of the following types of files?

1. A .COM or .EXE file only
2. A data file only
3. The master boot record only
4. Any file loaded when doing a low-level disk format

12-49. Which of the following viruses embeds itself into other programs and may contain other types of viruses?

1. Worm
2. Trojan horse
3. Logic bomb

12-50. Which of the following viruses tries to endlessly copy itself on a fixed disk, tying up the computer and eventually overloading your disk?

1. Worm
2. Trojan horse
3. Logic bomb

12-51. Which of the following viruses only executes itself if a certain set of conditions is met?

1. Worm
2. Trojan horse
3. Logic bomb

12-52. Which of the following viruses is generally the most destructive to a system?

1. Worm
2. Trojan horse
3. Logic bomb

12-53. Which of the following is NOT a precaution in preventing virus infections?

1. Making regular back-ups
2. Using only authorized software
3. Periodically checking the size of the COMMAND.COM file
4. Using software from an unauthorized source

12-54. It is usually possible to recover some data from a fixed disk even after a severe head crash.

1. True
2. False

12-55. In caring for a fixed disk, which of the following precautions is NOT recommended?

1. Limit the number of times the system is turned on and off
2. Avoid eating, drinking, and smoking around computer systems
3. Clean the fixed disk on a regular basis
4. Perform the low-level format of a fixed disk in the position and temperature that the disk will be used

12-56. A multimedia CD-ROM is a disc that contains which of the following types of information?

1. Data files only
2. Digitized audio only
3. Digitized video only
4. Data files, digitized audio, and digitized video

12-57. Data is stored on a CD-ROM by which of the following methods?

1. Magnetizing spots on the disc
2. Etching tiny ones and zeros on the disc
3. Punching tiny holes through the disc
4. Etching pits between lands on the disc

12-58. The diameter of a compact disc is

1. 120 mm
2. 130 mm
3. 140 mm
4. 150 mm

12-59. The data area of a CD-ROM consists of which of the following sections?

1. The table of contents, the lead-out area, and the clamping area
2. The table of contents and the program area only
3. The table of contents, the program area, and the lead-out area
4. The lead-out area and the clamping area

12-60. CD-ROM storage has all of the following advantages except which one?

1. Fast access time
2. Storage capacity of over 540 megabytes of information
3. Extremely durable
4. Can store a mixture of digital information

12-61. Data is stored on a CD-ROM disc in which of the following ways?

1. In a series of separate tracks only
2. In a series of separate tracks divided into sectors
3. In a continuous spiral track divided into sectors
4. In a continuous spiral sector divided into tracks

12-62. Which of the following is a description of the operation of a drive that uses constant linear velocity?

1. The speed of the disc decreases as the read head moves toward the outer edge of the disc
2. The speed of the disc increases as the read head moves toward the outer edge of the disc
3. The speed of the disc remains constant throughout the range of the read head
4. The physical sizes of the sectors on the spiral track increase toward the outer edge of the disc

12-63. Sectors on a CD-ROM are accessed by which of the following address forms?

1. Track, sector, head
2. Minute: second: sector
3. Hour: minute: sector
4. Cylinder: sector

12-64. When a CD-ROM disc is manufactured, the data is written on the disc in which of the following formats?

1. Eight-to-fourteen modulation
2. Modified frequency modulation
3. Run length limited 2,7
4. Non-return-to-zero

12-65. The laser used in the optical head of a CD-ROM drive emits light in which of the following bands?

1. Ultraviolet
2. Visible spectrum
3. Infrared
4. White

12-66. The collimating lens in a CD-ROM drive's optical head is used to perform which of the following functions?

1. To focus the laser beam on the disc
2. To reduce the divergence of the laser beam
3. To focus the laser beam on the photodetector circuit
4. To reduce the intensity of the laser beam

12-67. The final step in focusing the laser beam on the disc is accomplished by which of the following items?

1. Optical head
2. Objective lens
3. Collimating lens
4. Plastic coating on the disc

12-68. Splitting the reflected laser beam and directing the split beams to a set of photodiodes is used in which of the following functions?

1. Ensuring the disc is rotating at the proper speed
2. Maintaining proper tracking and focus
3. Detecting data on the disc
4. Both 2 and 3 above

12-69. The control section decodes the eight-to-fourteen data read from a disc using what method, if any?

1. Checking the data for parity errors
2. Using the data to address a ROM for the proper byte
3. Adding the data to a set value to find the proper byte
4. None; the data does not need to be decoded

12-70. The turntable must rotate so that the data track passes over the optical head at which of the following speeds?

1. 1.3 meters per second
2. 1.5 meters per second
3. 1.7 meters per second
4. 1.9 meters per second

12-71. The interface section provides control for which of the following functions?

1. The transfer of data from the CD-ROM drive to the computer
2. The receipt of data from the computer to be written on the disc
3. Both 1 and 2 above
4. The transfer of data from the disc to the control section of the drive

12-72. Storing information on a large database on CD-ROM has which of the following advantages?

1. Reduces the amount of paper storage required
2. Enables the information to be quickly retrieved
3. Allows the information to be quickly cross-referenced
4. All of the above

12-73. In a multimedia or CD-I application, the different types of data are distinguished by which of the following methods?

1. The control section analyzes the data to determine what it is
2. All data is sent to the computer and the computer determines what it is
3. A code is written at the start of each sector to identify the type of data
4. The disc is divided into specific areas to store audio, video, and program information



# ASSIGNMENT 13

Textbook Assignment: "Printers," chapter 12, pages 12-1 through 12-15; and "Data Conversion Devices and Switchboards," chapter 13, pages 13-1 through 13-5.

---

- 13-1. Printers that use pins or hammers to strike an inked ribbon to transfer characters to paper are classified as which of the following types?
1. Impact printers
  2. Nonimpact printers
  3. Thermal printers
  4. Laser printers
- 13-2. A predefined table of characters that can be printed by a printer is known as the
1. print head
  2. character set
  3. printer code
  4. character library
- 13-3. The 8-bit printer codes that define the alphanumeric characters of the standard English alphabet are contained in which of the following character sets?
1. American National Standards Institute (ANSI) character set
  2. Computer Institute character set
  3. Institute of Electrical and Electronics Engineers (IEEE) standard character set
  4. American National Standard Code for Information Interchange (ASCII) character set
- 13-4. Standard printer character codes contain a total of how many data bits?
1. Five
  2. Six
  3. Seven
  4. Eight
- 13-5. The ASCII decimal value 66 represents which of the following characters?
1. A
  2. a
  3. B
  4. b
- 13-6. The ASCII decimal values 128 through 255 are used for which, if any, of the following functions?
1. Alternate character set
  2. Control codes
  3. Lowercase letters of the main character set
  4. None of the above; they are undefined and have no meaning
- 13-7. The type of characters that a printer can print is dependent on which of the following factors?
1. The type of printer only
  2. The software only
  3. The type of printer and the software
  4. The type of computer
- 13-8. A printer driver is a software routine that performs which of the following functions?
1. Defines the printer capabilities to the software
  2. Defines the character set to the printer
  3. Defines the graphics capability of the printer
  4. All of the above

- 13-9. A separate printer driver is required for each type of printer that a software program will support.
1. True
  2. False
- 13-10. The original ASCII codes contained what total number of control codes?
1. 16
  2. 32
  3. 48
  4. 54
- 13-11. Which of the following ASCII codes (in decimal) will result in the printer performing a carriage return?
1. 10
  2. 12
  3. 13
  4. 27
- 13-12. The ASCII ESCAPE code (27) when combined with other characters and sent to a printer is used for which of the following functions?
1. To tell the printer to start printing
  2. To initiate enhanced features of many printers
  3. To stop all printer operations
  4. To change the printer driver of the software
- 13-13. Printing each letter or character on a line based on the character's actual size is known as which of the following printer spacing methods?
1. Proportional spacing
  2. Prearranged spacing
  3. Relative spacing
  4. Fixed spacing
- 13-14. A font describes which of the following characteristics of the type?
1. Style of the typeface only
  2. Size of the typeface only
  3. Both the style and size of the typeface
  4. All the characters a printer is capable of printing
- 13-15. The printer measure that is equal to 1/72 inch is known by what term?
1. Elite
  2. Pica
  3. Pitch
  4. Point
- 13-16. Which of the following print modes is used to print text across the length of a standard size sheet of paper?
1. Landscape mode
  2. Portrait mode
  3. Picture mode
  4. Graphics mode
- 13-17. Which of the following is the most widely used serial interface between a personal computer and a printer?
1. EIA interface
  2. Centronics® interface
  3. RS-232 interface
  4. RS-323 interface
- 13-18. Parallel-to-serial data conversion for use in serial interfaces of personal computers is accomplished by which of the following circuits?
1. RS-232 interface
  2. Universal asynchronous receiver/transmitter (UART)
  3. Centronics interface
  4. Serial converter

- 13-19. In a serial interface that uses software handshaking, what minimum number of pins must be connected?
1. Five
  2. Two
  3. Three
  4. Four
- 13-20. The Centronics parallel interface uses what (a) connector at the computer end of the cable and what (b) connector at the printer end of the cable?
1. (a) 36-pin Centronics  
(b) 36-pin Centronics
  2. (a) 36-pin Centronics  
(b) DB-25 subminiature
  3. (a) DB-25 subminiature  
(b) DB-25 subminiature
  4. (a) DB-25 subminiature  
(b) 36-pin Centronics
- 13-21. The Centronics parallel interface is which of the following types of interface between the computer and the printer?
1. 8-bit, one-way
  2. 8-bit, two-way
  3. 16-bit, one-way
  4. 16-bit, two-way
- 13-22. Which of the following is NOT a function of the control panel on a printer?
1. Activating the print head
  2. Providing operator selectable fonts
  3. Initiating the self-test function
  4. Controlling whether the printer is online or offline
- 13-23. Continuous paper with perforated holes on each side is designed to be used with which of the following paper-feed methods?
1. Friction feed
  2. Tractor feed
  3. Sheet feeder
  4. Pressure feed
- 13-24. The paper-feed motor in a tractor-feed printer is usually which of the following types of motors?
1. Stepper
  2. Synchro
  3. Servo
  4. Reduction
- 13-25. Which of the following paper-feed methods uses one or more pressure rollers to move paper through the printer?
1. Tractor feed
  2. Friction feed
  3. Sheet feeder
  4. Both 2 and 3 above
- 13-26. Which of the follow lists includes only impact printers?
1. Chain, band, and laser
  2. Drum, dot matrix, and inkjet
  3. Inkjet, laser, and daisy wheel
  4. Chain, band, drum, dot matrix, and daisy wheel
- 13-27. The maximum number of characters that a drum printer can print on one line is determined by which of the following factors?
1. The type of software being used
  2. The number of rows on the drum
  3. The number of columns on the drum
  4. The type of computer being used

- 13-28. A drum printer has which of the following number of hammers?
1. One for each column on the drum
  2. One for each line the printer is capable of printing
  3. One for each letter of the alphabet and seven for special characters
  4. Two for each letter of the alphabet (one for uppercase and one for lowercase) and seven for special characters
- 13-29. The quality of print produced by a dot matrix printer is directly related to which of the following factors?
1. The number of print wires in the print head
  2. The number of characters being printed
  3. The size of the print head
  4. The type of font being printed
- 13-30. The print wires in a dot matrix print head are driven by which of the following devices?
1. A relay
  2. One solenoid that drives all the print wires
  3. An individual solenoid for each print wire
  4. A hi-stable multivibrator
- 13-31. A dot matrix print head is mounted on a heat sink for which of the following reasons?
1. To dissipate heat generated by the moving print wires
  2. To dissipate heat generated by the solenoid drivers
  3. To dissipate heat generated by the printer's power supply
  4. To heat up the print wires to the proper operating temperature
- 13-32. A nine-pin dot matrix print head prints in near letter quality mode by making two passes for each line, advancing the paper which of the following distances before the second pass?
1. One-half line
  2. One-half letter space
  3. One-half dot space
  4. One dot space
- 13-33. A 24-pin print head prints near letter quality faster and with greater resolution than a 9-pin print head for which of the following reasons?
1. It prints two characters at a time
  2. It prints larger dots
  3. It prints more dots per character only
  4. It has two columns of offset print wires and prints smaller dots
- 13-34. The print head of a dot matrix printer is moved across the length of the platen by a wire, belt, or chain that is connected to which of the following devices?
1. Paper motor
  2. Platen motor
  3. Print head motor
  4. Carriage motor
- 13-35. The daisy wheel printer has which of the following advantages over the dot matrix printer?
1. It prints letter quality
  2. It can print carbon copies
  3. Both 1 and 2 above
  4. It prints faster than a dot matrix printer
- 13-36. The laser printer is what type of printer?
1. Electrostatic
  2. Electrosensitive
  3. Electrothermal
  4. Impact

- 13-37. Laser printers are classified as which of the following class of printer?
1. Character printer
  2. Line printer
  3. Daisy printer
  4. Page printer
- 13-38. The photosensitive aluminum cylinder in a laser printer is the
1. primary corona
  2. laser source
  3. toner drum
  4. print drum
- 13-39. The laser diode generates a single wavelength light in bursts of one millionth of a second or less.
1. True
  2. False
- 13-40. The erase lamps have which of the following effects on the print drum?
1. They apply a positive charge to the drum
  2. They apply a negative charge to the drum
  3. They neutralize any charge on the drum
  4. They neutralize any toner on the drum
- 13-41. During a laser printer's print cycle, a charge of -600V is applied to the print drum by which of the following devices?
1. Erase lamps
  2. Primary corona wire
  3. Secondary corona wire
  4. Laser beam
- 13-42. The laser beam's horizontal scan across the drum is developed by which of the following devices?
1. Rotating hexagon mirror
  2. Laser diode carriage motor
  3. Laser beam lens assembly
  4. Laser beam shutter
- 13-43. What effect, if any, does the laser beam striking the print drum have on the print drum?
1. The area of the print drum becomes positively charged
  2. The area of the print drum becomes negatively charged
  3. Any charge on the print drum becomes neutralized
  4. None; the laser beam has no effect on the print drum
- 13-44. The toner used in a laser printer consists of a fine powder containing metal, dyes, and
1. ink
  2. sand
  3. glass
  4. plastic
- 13-45. As the print drum rotates past the toner reservoir, which of the following events occurs?
1. The excess toner on the drum is deposited into the reservoir
  2. The toner is attracted to the positively charged areas of the drum
  3. The toner is attracted to the negatively charged areas of the drum
  4. The toner coats the entire drum

- 13-46. The transfer corona is used for which of the following functions?
1. It charges the toner to enable the toner to be transferred from the reservoir to the drum
  2. It charges the drum to enable the toner to be transferred from the reservoir to the drum
  3. It charges the drum to enable the transfer of toner from the drum to the paper
  4. It charges the paper to enable the transfer of toner from the drum to the paper
- 13-47. The toner is permanently bonded to the paper by which of the following means?
1. The registration rollers apply pressure to the paper
  2. The fusing rollers apply heat and pressure to the paper
  3. The transfer corona applies heat to the paper
  4. The primary corona applies heat to the paper
- 13-48. A laser printer that produces a printout with blotches evenly spaced every 1.75 inches is probably caused by a defect in which of the following components?
1. Upper registration roller
  2. Lower registration roller
  3. Transfer roller
  4. Lower fusing roller
- 13-49. A laser printer with a scratched print drum can be repaired by performing which of the following actions?
1. Remove the print drum and polish the scratch out
  2. Replace the print drum only
  3. Replace the cartridge
  4. Replace the laser diode
- 13-50. To print a font using a Hewlett-Packard or compatible laser printer, the font definition bit map provides the printer with which of the following information?
1. Where to place the dots to print the characters
  2. Where on the page the character is to be printed
  3. Where on a line the character is to be printed
  4. Where on the page to print graphic pictures only
- 13-51. Soft fonts are font bit maps that are handled in which of the following ways?
1. They are loaded into the computer's memory and transferred to the printer when needed
  2. They are resident in the printer's ROM
  3. They are contained in ROM cartridges that plug into the computer
  4. They are contained in RAM cartridges that plug into the printer
- 13-52. PostScript® printers are capable of printing a typeface in different sizes by using which of the following methods?
1. A different bit map for each size of character to be printed
  2. A mathematical definition for each typeface and mathematically scaling the characters to the desired size
  3. A mathematical definition for each size character
  4. A bit map for one typeface that is mathematically scaled to change the size
- 13-53. Electrothermal printers use the heat of wires or pins to burn images onto plain paper.
1. True
  2. False

13-54. Ink jet printers form images on the paper by which of the following methods?

1. Spraying ink on the paper through a stencil to form the character
2. Spraying ink on the paper with the print head moving to form each character
3. Spraying ink on the paper in a series of dots to form the characters similar to a dot matrix printer
4. Electrostatically charging the paper to attract the ink to the proper position to form the character

13-55. The ink in an ink jet printer is sprayed onto the paper by which of the following methods?

1. By using a pneumatic pump
2. By using piezoelectric crystals to squeeze a nozzle tube
3. By using small heaters to expand an air bubble and force the ink out of the nozzle
4. Either 2 or 3 above, depending on the printer

13-56. An analog signal has which of the following characteristics?

1. It varies continuously with time
2. Each bit position represents a portion of the overall quantity
3. The codes of ONES and ZEROS indicate a value at a particular instant of time
4. The summation of the set bits is normally the quantity to be represented

13-57. Analog signals representing analog quantities and binary numbers representing digital quantities have which of the following characteristics in common?

1. They both vary continuously with time
2. They both can express an infinitely large quantity
3. They both express values As a summation of set bits
4. They both express values within a given set of limits

IN ANSWERING QUESTIONS 13-58 THROUGH 13-60, REFER TO FIGURE 13-1 ON PAGE 13-2 OF THE TEXT.

13-58. To indicate a range of values of 10 miles, what would the amplitude of the analog signal be in volts peak to peak?

1. 7
2. 11
3. 12
4. 20

13-59. What would the digital quantity bit pattern contain to indicate a range of 12 miles?

1. 00011
2. 01100
3. 10010
4. 11000

13-60. To indicate a range of 25 miles, the analog signal will be what number of (a) volts peak to peak while the digital quantity bit pattern will contain what (b) bit pattern?

1. (a) 25 (b) 11001
2. (a) 25 (b) 11100
3. (a) 27 (b) 11001
4. (a) 27 (b) 11100

- 13-61. The reference signal for an analog to digital conversion is normally equal to which of the following values?
1. The average value of the analog signal
  2. The minimum value of the analog signal
  3. The maximum value of the analog signal
  4. The maximum value of the transmitted data
- 13-62. In which of the following conversion operations is the input analog signal tested repeatedly over a period of time?
1. Encoding
  2. Sampling
  3. Decoding
  4. Quantization
- 13-63. Which of the following conversion operations reduces the result of the conversion to a binary code acceptable to digital equipments?
1. Encoding
  2. Sampling
  3. Decoding
  4. Quantization
- 13-64. Which of the following conversion operations rounds out the conversion to the value of the LSB?
1. Encoding
  2. Sampling
  3. Decoding
  4. Quantization
- 13-65. Which of the following conversion operations is performed only when a conversion is required?
1. Encoding
  2. Sampling
  3. Decoding
  4. Quantization
- 13-66. In natural binary code, which of the following bit positions has the greatest weight or represents the largest value?
1. BAM
  2. LSB
  3. MSB
- 13-67. Binary angular measurement uses what binary code?
1. Natural binary code
  2. Hexadecimal
  3. Gray code
  4. BCD
- 13-68. BAM data words are designed to indicate what maximum number of degrees of angular measurement?
1. 45
  2. 90
  3. 180
  4. 360
- 13-69. When only the MSB of a BAM word used to transmit anon-angular value is set, what is the quantity indicated?
1. The minimum value that can be transmitted
  2. The maximum value that can be transmitted
  3. One half of the minimum value that can be transmitted
  4. One half of the maximum value that can be transmitted
- 13-70. Binary-coded decimal uses what total number of bit positions to represent a single decimal digit?
1. One
  2. Two
  3. Eight
  4. Four



13-71. Which of the following binary codes is designed to change from one value to the next with only one bit change?

1. Hexadecimal
2. BCD
3. Gray code
4. Natural binary code

13-72. A torque system has which of the following characteristics?

1. It provides a turning force to drive light loads
2. It provides an electrical output used to control the power that performs mechanical work
3. It is the combination of a synchro transmitter and Synchro receivers
4. It is a variety of rotary, electromechanical, position sensing devices

13-73. A synchro system has which of the following characteristics ?

1. It provides a turning force to drive light loads
2. It provides an electrical output used to control the power that performs mechanical work
3. It is the combination of a synchro transmitter and synchro receivers
4. It is a variety of rotary, electromechanical, position sensing devices

13-74. Which of the following is the primary characteristic of a control synchro system?

1. It provides a turning force to drive light loads
2. It provides an electrical output used to control the power that performs mechanical work
3. It is the combination of a synchro transmitter and synchro receivers
4. It is a variety of rotary, electromechanical, position sensing devices

13-75. The term synchro has which of the following meanings?

1. It provides a turning force to drive light loads
2. It provides an electrical output used to control the power that performs mechanical work
3. It is the combination of a synchro transmitter and synchro receivers
4. It is a variety of rotary, electromechanical, position sensing devices

# ASSIGNMENT 14

Textbook Assignment: "Data Conversion Devices and Switchboards," chapter 13—continued, pages 13-5 through 13-41.

---

IN ANSWERING QUESTIONS 14-1 THROUGH 14-4, SELECT FROM THE FOLLOWING LIST THE SYNCHRO SYSTEM DESCRIBED BY THE QUESTION. ANSWERS MAY BE USED MORE THAN ONCE.

1. Single-speed synchro
  2. Multispeed synchro
  3. Dual-speed synchro
- 14-1. Allows for a coarse value and a fine value to be sent at the same time.
- 14-2. Uses more than one speed of data transmission.
- 14-3. Uses a single synchro transmitter to transmit the entire range of data.
- 14-4. Is the least accurate synchro system.
- 14-5. In a dual-speed synchro system, which of the following values is/are sent by the synchro with (a) the highest ratio and (b) the lowest ratio?
1. (a) Coarse only  
(b) Fine only
  2. (a) Fine only  
(b) Coarse only
  3. (a) Coarse only  
(b) Fine and coarse
  4. (a) Fine and coarse  
(b) Fine and coarse

14-6. At any instant in time, the amplitude and polarity of the stator voltages, when compared to the supply or reference voltage, indicate the angular position of the rotor.

1. True
2. False

14-7. The sector conversion method divides the  $360^\circ$  of rotation into what total number of sectors?

1. 6
2. 8
3. 45
4. 60

IN ANSWERING QUESTIONS 14-8 AND 14-9, REFER TO TABLE 13-2 ON PAGE 13-7 OF THE TEXT.

14-8. When the stator voltages S1 and S3 are in phase with the reference and S2 is out of phase, what sector is selected?

1.  $30^\circ$  to  $90^\circ$
2.  $90^\circ$  to  $150^\circ$
3.  $150^\circ$  to  $210^\circ$
4.  $330^\circ$  to  $30^\circ$

14-9. When the stator voltages S1 and S2 are in phase with the reference and S3 is out of phase, what sector is selected?

1.  $30^\circ$  to  $90^\circ$
2.  $90^\circ$  to  $150^\circ$
3.  $150^\circ$  to  $210^\circ$
4.  $270^\circ$  to  $330^\circ$

- 14-10. What is the total number of stator voltages required to determine the ratio angle once the sector has been determined?
1. One
  2. Two
  3. Three
  4. Four
- 14-11. During the octant conversion process, the 45-degree octant is determined by which of the following means?
1. The polarity and amplitude of two of the stator voltages
  2. The polarity and amplitude of the sine and cosine voltages
  3. The phase difference between two of the stator voltages
  4. The phase difference between the sine and cosine voltages
- 14-12. Once the octant has been determined during the octant conversion process, the remaining bit positions of the BAM word are determined by a trial and error approximation of a test binary angle against a ratio angle.
1. True
  2. False
- 14-13. What total number of synchro-to-digital conversions are required to generate a single BAM word from a dual-speed synchro input?
1. One
  2. Two
  3. Eight
  4. Four
- 14-14. Linear signals normally represent a quantity based on which of the following characteristics?
1. Signal amplitude
  2. Signal frequency
  3. Signal phase relationship
  4. All of the above
- 14-15. Scalar or resolver outputs are comprised of which of the following signals?
1. A single linear waveform
  2. A single waveform representing the sine of an angle
  3. A single waveform representing the cosine of an angle
  4. Two waveforms representing the sine and cosine of an angle
- 14-16. The binary input to digital-to-analog converters is normally in which of the following binary forms?
1. Binary-coded decimal
  2. Gray code
  3. Binary angular measurement word
  4. Natural binary
- 14-17. A single digital-to-analog converter outputs what maximum number of proportional voltage signals?
1. One
  2. Two
  3. Three
  4. Four
- 14-18. What maximum number of DACs can be mounted on a mounting base?
1. One
  2. Two
  3. Three
  4. Four

- 14-19. Which of the following functions is performed by the BASE?
1. Selects the DAC operating mode
  2. Provides all electrical interfaces for the DACs
  3. Provides simulated digital data for test purposes
  4. Each of the above
- 14-20. Each channel of a DAC can output which of the following signals?
1. Two linear voltages
  2. A single-speed synchro
  3. A sine/cosine resolver
  4. Each of the above, depending on the operational mode selected
- 14-21. Which of the following functions is NOT performed by the EF and control address words?
1. Master clear the DAC
  2. Initiate RDUC operations
  3. Set the individual DAC's control address
  4. Define the control address of the DAC to receive the data words
- 14-22. What is the maximum number of data words that can be sent in an output buffer to the DAC/BASE?
1. 8
  2. 10
  3. 12
  4. 16
- 14-23. Individual DAC channels are identified by what code?
1. The A channel code
  2. The B channel code
  3. The data address code
  4. The control address code

IN ANSWERING QUESTIONS 14-24 THROUGH 14-27, SELECT FROM THE FOLLOWING LIST THE FUNCTIONAL SECTION OF THE DAC FUNCTION DESCRIBED IN THE QUESTION. ANSWERS MAY BE USED MORE THAN ONCE.

1. Analog section
  2. Digital section
  3. Power supply section
- 14-24. Generates the ODR signal to the computer to start the data word processing.
- 14-25. Contains resistive ladder networks.
- 14-26. Provides five regulated dc voltages.
- 14-27. Converts the output of the holding registers to proportional voltages.
- 14-28. Which of the following DAC sub-channels outputs the SINE waveform when in the TRIG mode?
1. A
  2. B
  3. A1
  4. A2
- 14-29. Which of the following DAC sub-channels outputs linear waveforms when in the LINEAR mode?
1. A
  2. A1 only
  3. A2 only
  4. A1 and A2
- 14-30. Which of the following BASE controls allows for the selection of simulated test data from the BASE switches?
1. Mode control
  2. Digital input
  3. Channel A mode
  4. Channel A data address

14-31. The selection of synchro or resolver output is performed by which of the following DAC/BASE controls?

1. Mode control only
2. Channel A mode only
3. Both mode control and channel A mode are required
4. Channel A data address

14-32. The digital-to-synchro converter in the DAC converts BAM data words to which of the following types of outputs?

1. Linear voltages
2. Sine and cosine voltages
3. Dual-speed synchro signals
4. Single-speed synchro signals

14-33. The KCMX can accept demand digital from what maximum number of devices?

1. 8
2. 16
3. 24
4. 32

14-34. Multiplexing data converters allow the CDS computer to communicate with a variety of analog and digital equipments.

1. True
2. False

IN ANSWERING QUESTIONS 14-35 THROUGH 14-37, SELECT FROM THE FOLLOWING LIST THE DEMAND DIGITAL CONTROL SIGNAL FOR THE FUNCTION DESCRIBED IN THE QUESTION. NOT ALL ANSWERS ARE USED.

1. Enter signal
2. Read signal
3. Error signal
4. Demand digital interrupt

14-35. A program controlled function signal.

14-36. Generated when a data entry device has input ready for transmission to the controlling computer.

14-37. Activates the DD device data lines.

14-38. The KCMX can accept ready digital data from what maximum number of inputs?

1. 8
2. 16
3. 24
4. 32

14-39. The KCMX is capable of communicating with digital devices over what total number of DIC/DOC channels?

1. One
2. Two
3. Three
4. Four

14-40. The KCMX can receive what maximum number of status signals?

1. 60
2. 45
3. 30
4. 15

- 14-41. On KCMX ready analog inputs, which of the following types of conversion is performed?
1. Digital-to-linear
  2. Digital-to-synchro
  3. Linear-to-digital
  4. Synchro-to-digital
- 14-42. The KCMX uses what maximum number of reference voltages to perform synchro-to-digital conversions on ready analog inputs?
1. 8
  2. 12
  3. 16
  4. 20
- 14-43. The computer input data register is located on which of the following KCMX panels?
1. A1
  2. A2
  3. A3
  4. A4
- 14-44. The DD/DDI select ON/OFF switches on the KCMX perform which of the following functions?
1. They identify the group mode
  2. They indicate if an ENTER signal is on the line
  3. They enable or disable the individual device DDI enter signals
  4. All of the above
- 14-45. Which of the following KCMX controls/indicators indicates the status of individual external signals?
1. Data register
  2. Output register
  3. Control output register
  4. Computer input data register
- 14-46. DOC equipment output data maybe viewed using which of the following registers?
1. Data register
  2. Output register
  3. Control output register
  4. Computer input data register
- 14-47. Which of the following duplex controls/indicators are lighted to indicate that computer A is in control of the KCMX and has received an input data request from computer A?
1. The A ODR only
  2. The A IDR only
  3. The A IN CONTROL only
  4. Both the A IDR and the A IN CONTROL
- 14-48. Which of the following MODE SELECT switch positions enables the KCMX to simulate computer operations by use of the front panel controls?
1. DOC
  2. MANUAL
  3. NORM
  4. A/D CONV
- 14-49. Which of the following KCMX pushbuttons is used to reset all logic circuits?
1. BFE
  2. DATA
  3. MASTER CLEAR
  4. ADDRESS CLEAR
- 14-50. Which of the following KCMX indicators may be used to display the starting address of a set of addresses to be interrogated in test mode?
1. INTERRUPTS
  2. FINAL ADDRESS
  3. ADDRESS CLEAR
  4. CURRENT ADDRESS

- 14-51. Which of the following operations is indicated by a lighted CONTROL CHANNEL indicator?
1. A simulated DOC input
  2. An external function
  3. The KCMX is in test mode
  4. A control word transfer
- 14-52. When address 77 is detected in the FINAL ADDRESS, which of the following interrupt indicators is lighted?
1. ID ERR
  2. DIC REQ
  3. ILL ADR
  4. Each of the above
- 14-53. When the KCMX has granted control to computer A or B, which of the following KCMX indicators is lighted?
1. DATA
  2. INCONTROL
  3. EOC ENABLE
  4. COMPUTER ACKNOWLEDGE
- 14-54. When in the DIC computer mode, the DIC channel EF/INT and OA/IDR indicators light for interrupts and input data requests.
1. True
  2. False
- 14-55. Which of the following positions should the SELECTOR switch be in to simulate a 120-degree angle?
1. 1
  2. 2
  3. 3
  4. 4
- 14-56. On digital switchboards, what is the minimum number of manual switches required for each I/O device or computer channel?
1. One
  2. Two
  3. Three
  4. Four
- 14-57. Control signals used to initiate switching action are generated by which of the following devices?
1. DFCS only
  2. CSCP only
  3. Both DFCS and CSCP
- 14-58. Each DFCS section contains what maximum number of switch panels?
1. 12
  2. 18
  3. 24
  4. 32
- 14-59. Linear movement switch panels contain assemblies that can be switched to which of the following number of positions?
1. Six
  2. Five only
  3. Three only
  4. Either three or five, depending on the type of assembly
- 14-60. The switch control and potential transformer ACO assembly is used to provide voltages for bench testing which of the following DFCS panels?
1. Relay tester assemblies
  2. Power distribution panels
  3. Linear movement switches
  4. All of the above

- 14-61. What color CSCP pushbutton/indicator (PBI) will be lighted when the associated DFCS linear slide switch is in the ALTERNATE position?
1. Red
  2. White
  3. Green
  4. Yellow
- 14-62. What color CSCP PBI will be lighted when the associated DFCS linear slide switch is in the OFF position?
1. Red
  2. White
  3. Green
  4. Yellow
- 14-63. The DFCS can be controlled from two or more CSCPs at the same time.
1. True
  2. False
- 14-64. Ship's cables are identified by which of the following markings?
1. Wire number
  2. Cable type only
  3. Cable group number only
  4. Cable type and group number
- 14-65. A ship's wire has a plastic number with the following markings "65 PD 632." The number 632 indicates what designation?
1. Cable number
  2. Function number
  3. Circuit designator
  4. Assigned wire number
- 14-66. Which of the following designations could be used to identify a CSCP 85-pin connector?
1. JA
  2. JB
  3. JK
  4. JP
- 14-67. Each analog switchboard section contains what maximum number of panels?
1. 2
  2. 12
  3. 24
  4. 36
- IN ANSWERING QUESTIONS 14-68 THROUGH 14-72, SELECT FROM THE FOLLOWING LIST THE ANALOG SWITCHBOARD PANEL WHOSE FUNCTION IS DESCRIBED IN THE QUESTION. ANSWERS MAY BE USED MORE THAN ONCE.
1. Indicator panel assembly
  2. Fuse panel assembly
  3. Meter panel assembly
  4. Flasher panel assembly
- 14-68. Contains overflow fuses for associated switch panels.
- 14-69. Monitors ac or dc power busses.
- 14-70. Uses a motor driven cam to open or close control or status signal circuits.
- 14-71. Provides a visual indication of the active power being supplied to the switchboard.
- 14-72. Indicates a warning or emergency condition.



14-73. Which of the following switch panels are used to connect shipboard power supplies to the switchboard power busses?

1. Snap switches
2. Linear slide switches
3. Manually operated JR switches
4. Remotely operated JR switches

14-74. What type of switches are found in a remotely operated JR switch assembly?

1. JR
2. AJR
3. Snap
4. Linear movement

14-75. When a control signal is fed back to the KCMX as a status signal input by the switchboard for test purposes, the switchboard is in which of the following configurations?

1. OFF
2. EAT
3. NORMAL
4. ALTERNATE

