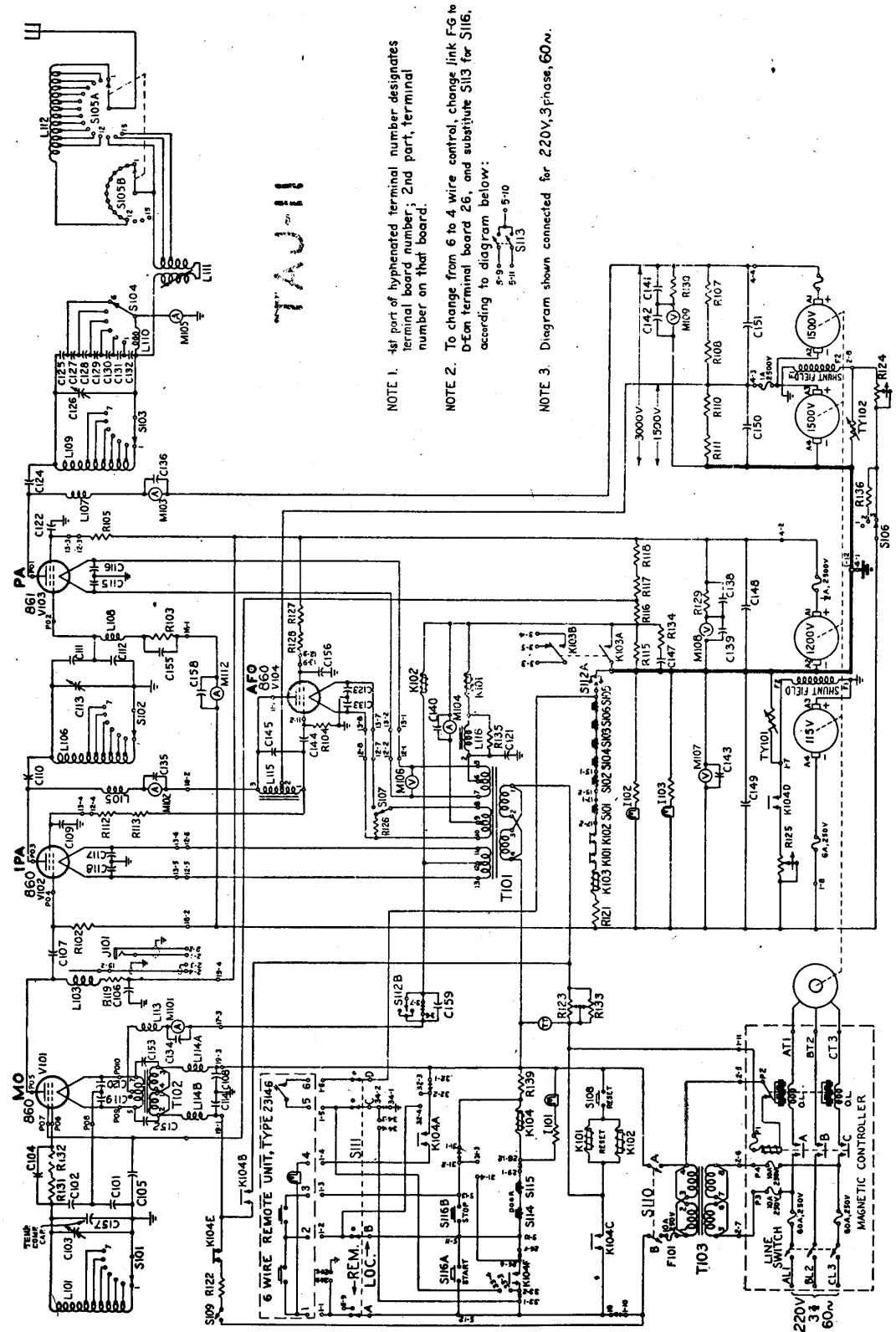


**RESTRICTED**

**Section 14**  
**SCHEMATIC WIRING DIAGRAMS**

**COMMUNICATION EQUIPMENT MAINTENANCE BULLETIN**

**RESTRICTED**

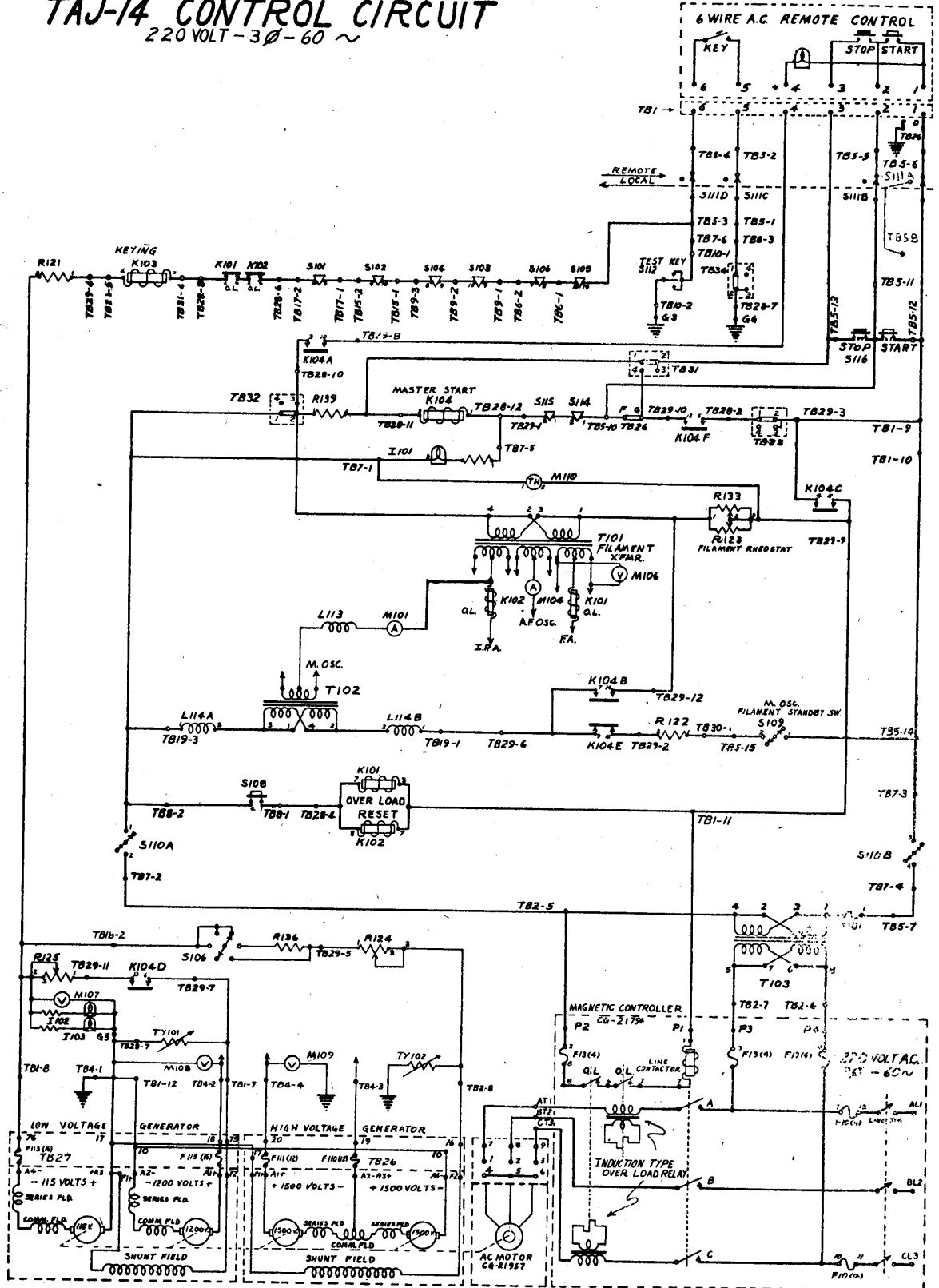


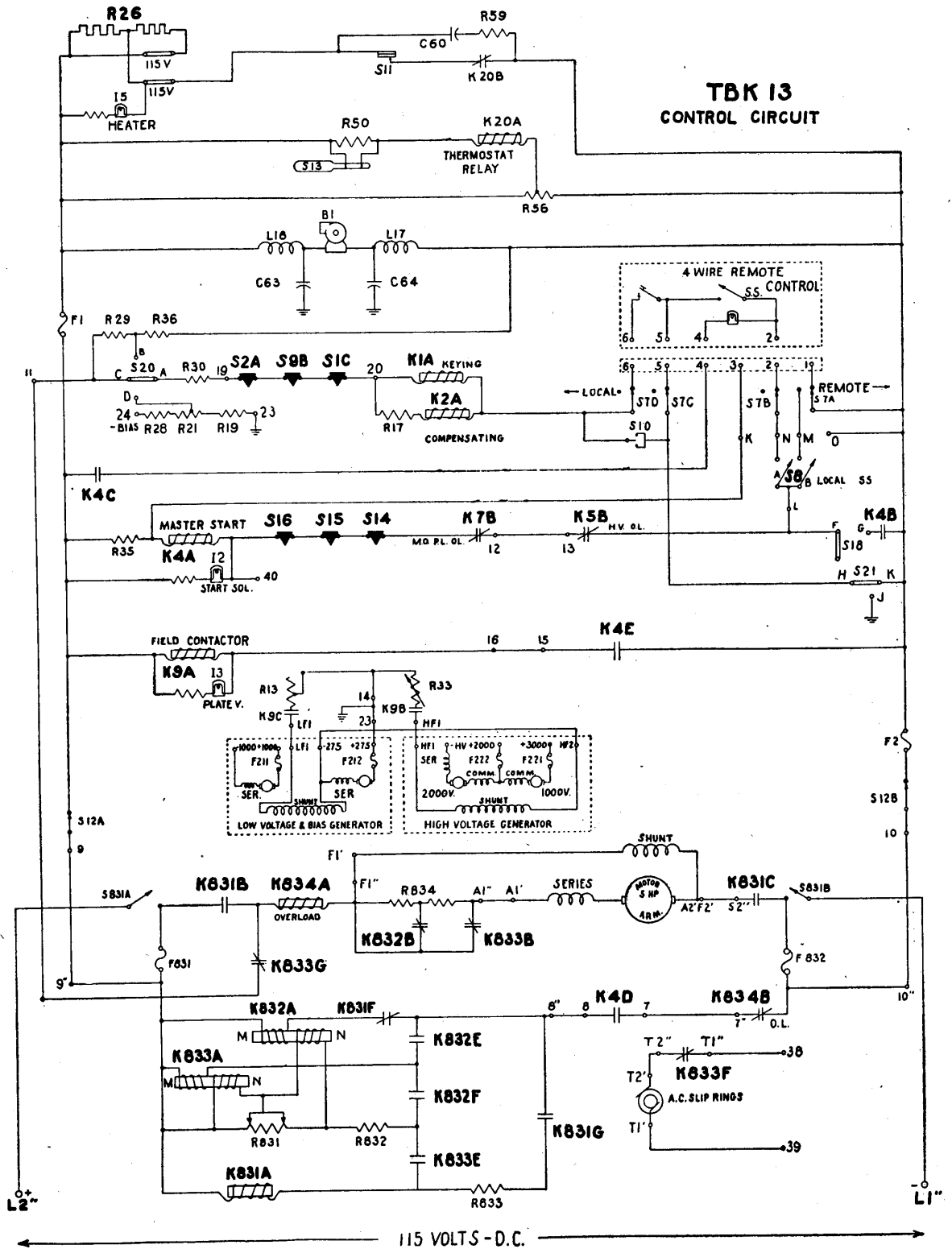
TAU-11

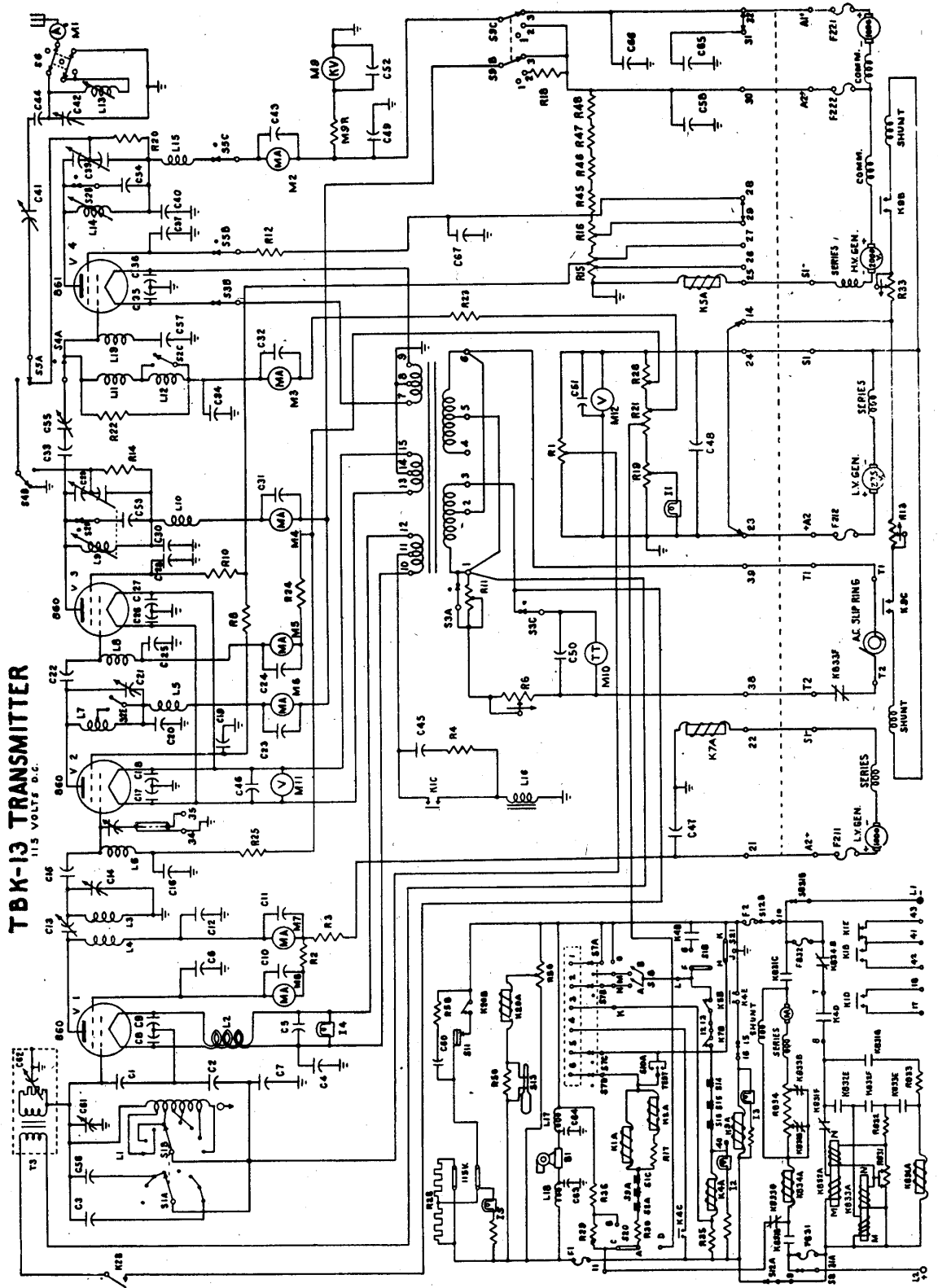
- NOTE 1. 1st part of hyphenated terminal number designates terminal board number; 2nd part, terminal number on that board.
- NOTE 2. To change from 6 to 4 wire control, change link F-6 to D-6 on terminal board 26, and substitute S113 for S116, according to diagram below:
- NOTE 3. Diagram shown connected for 220V, 3 phase, 60.

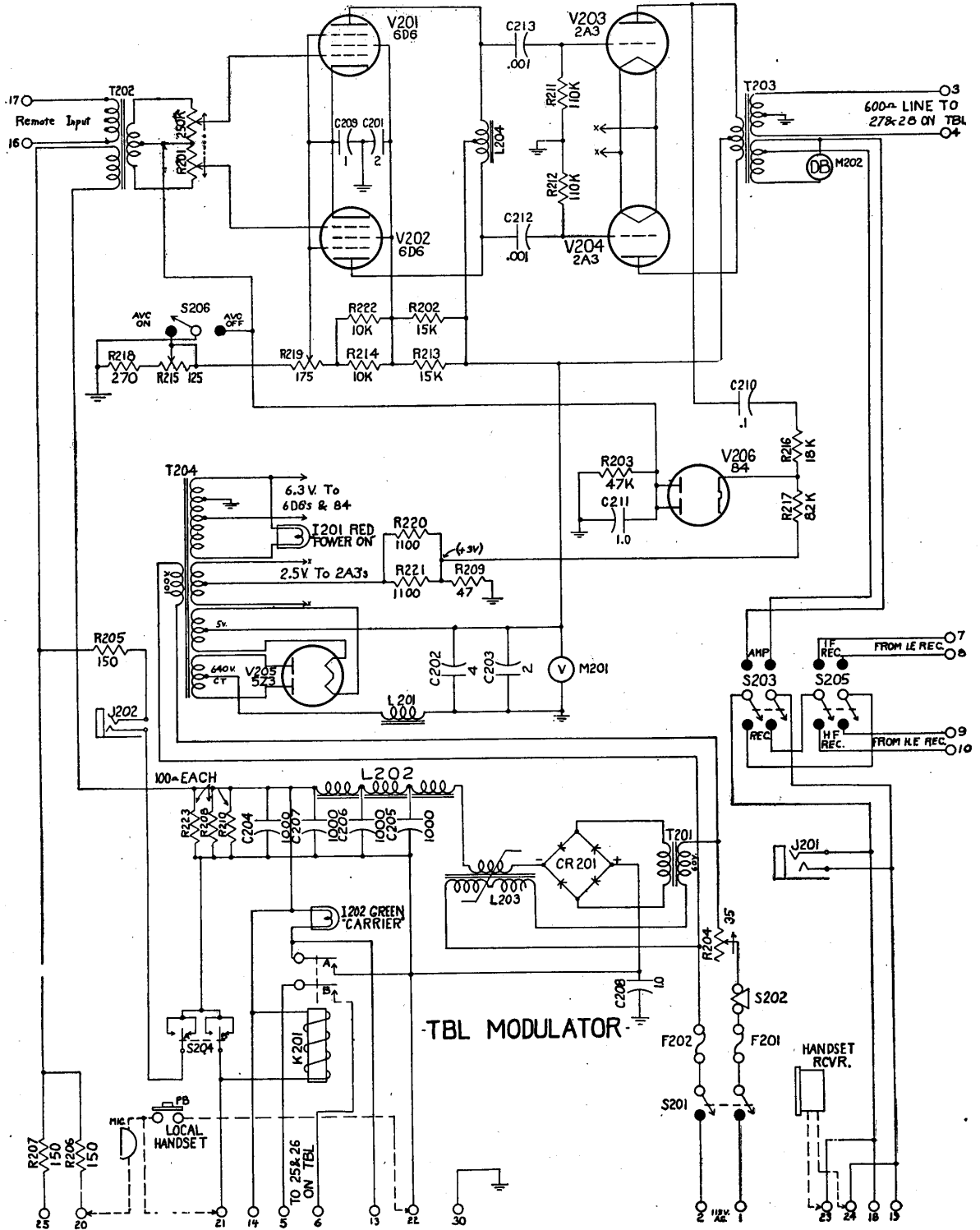
# TAJ-14 CONTROL CIRCUIT

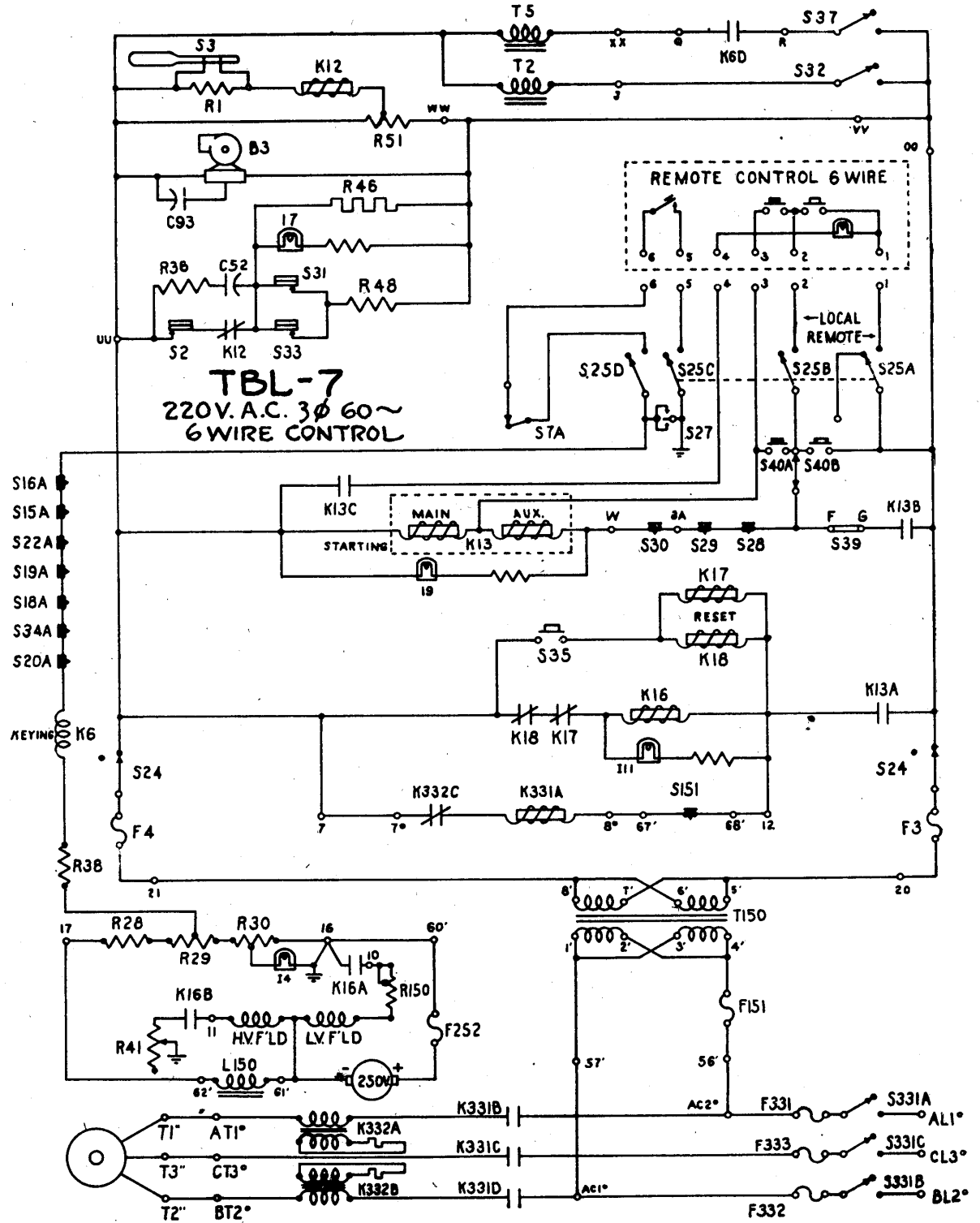
220 VOLT - 3 $\phi$  - 60 ~

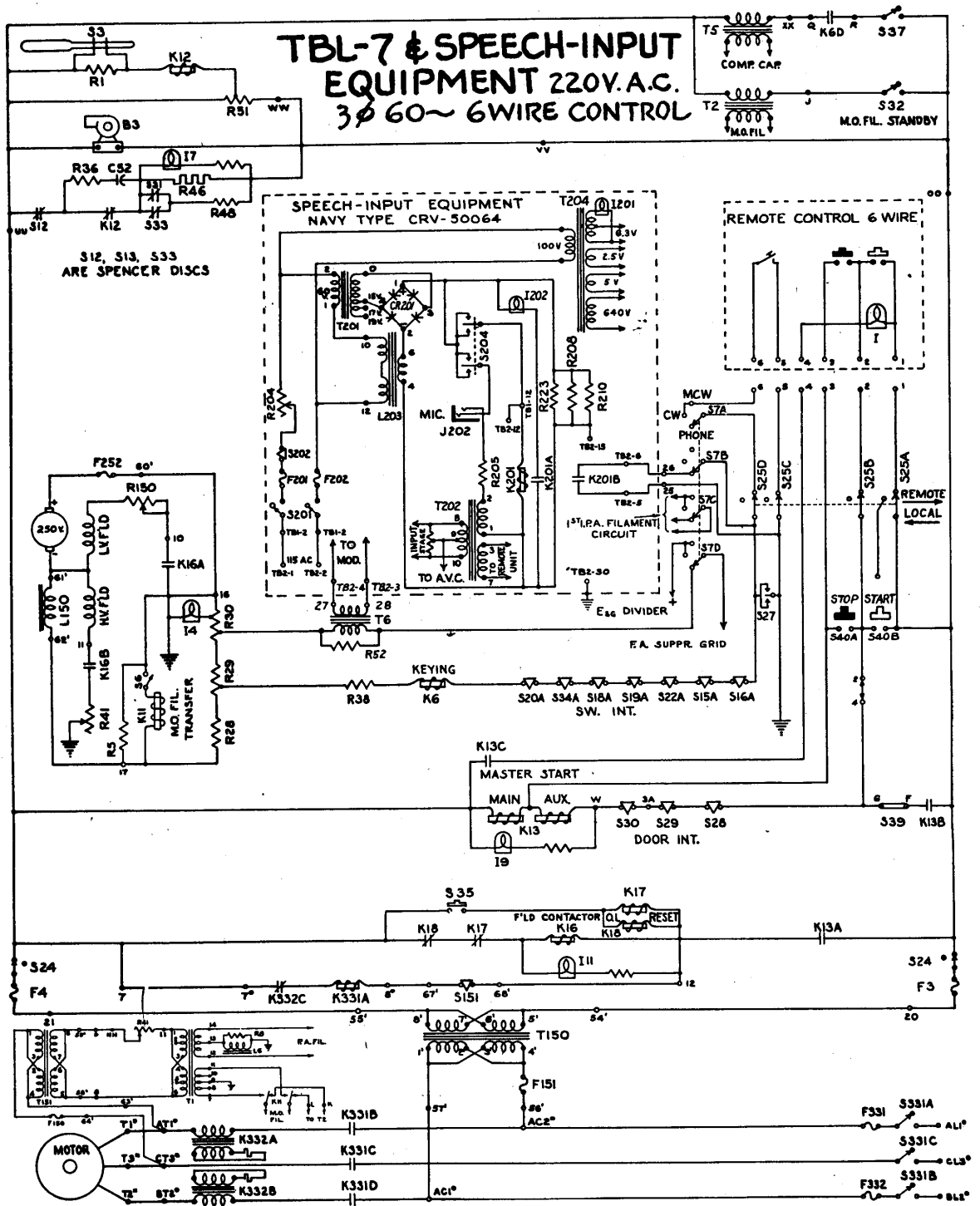




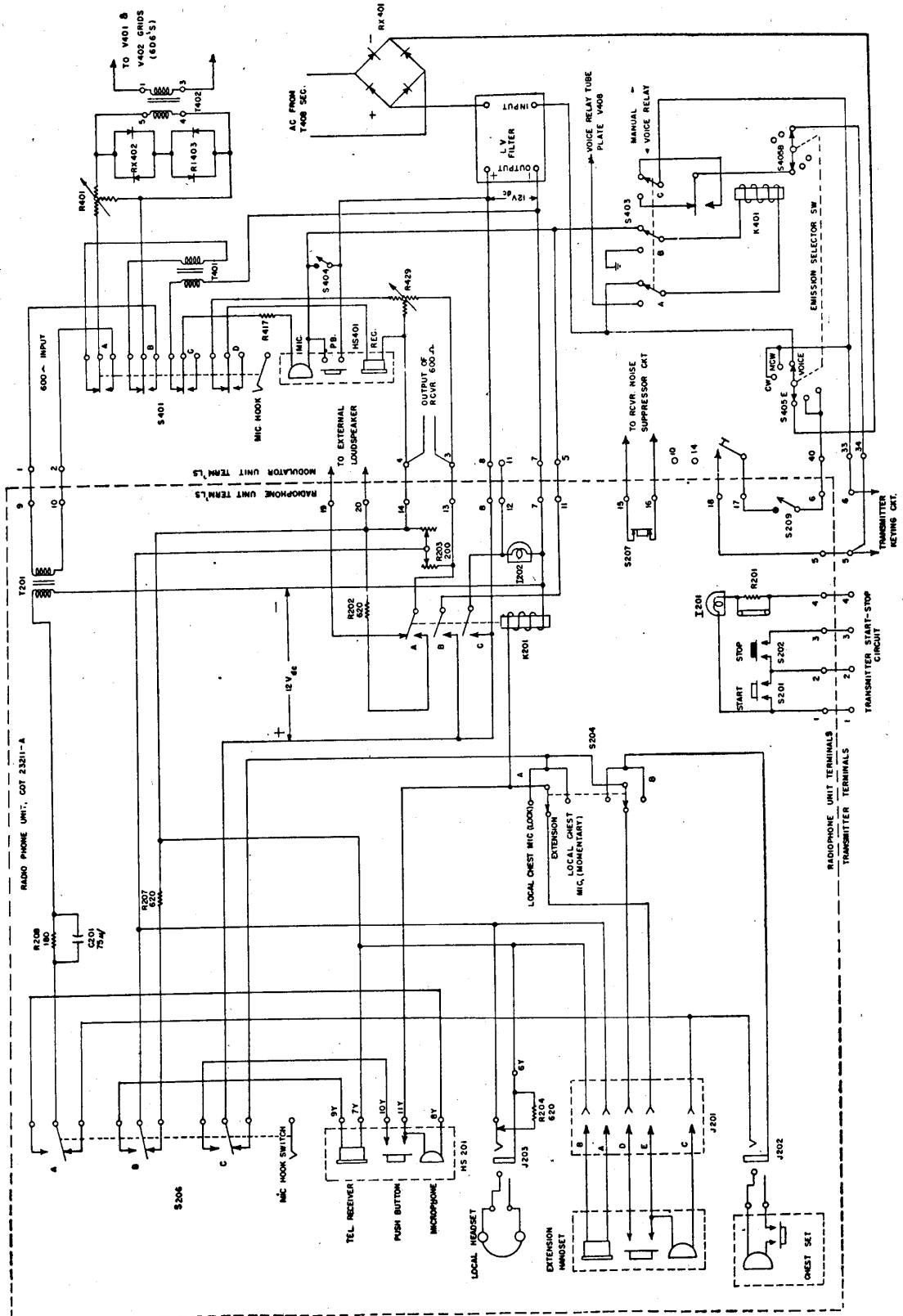




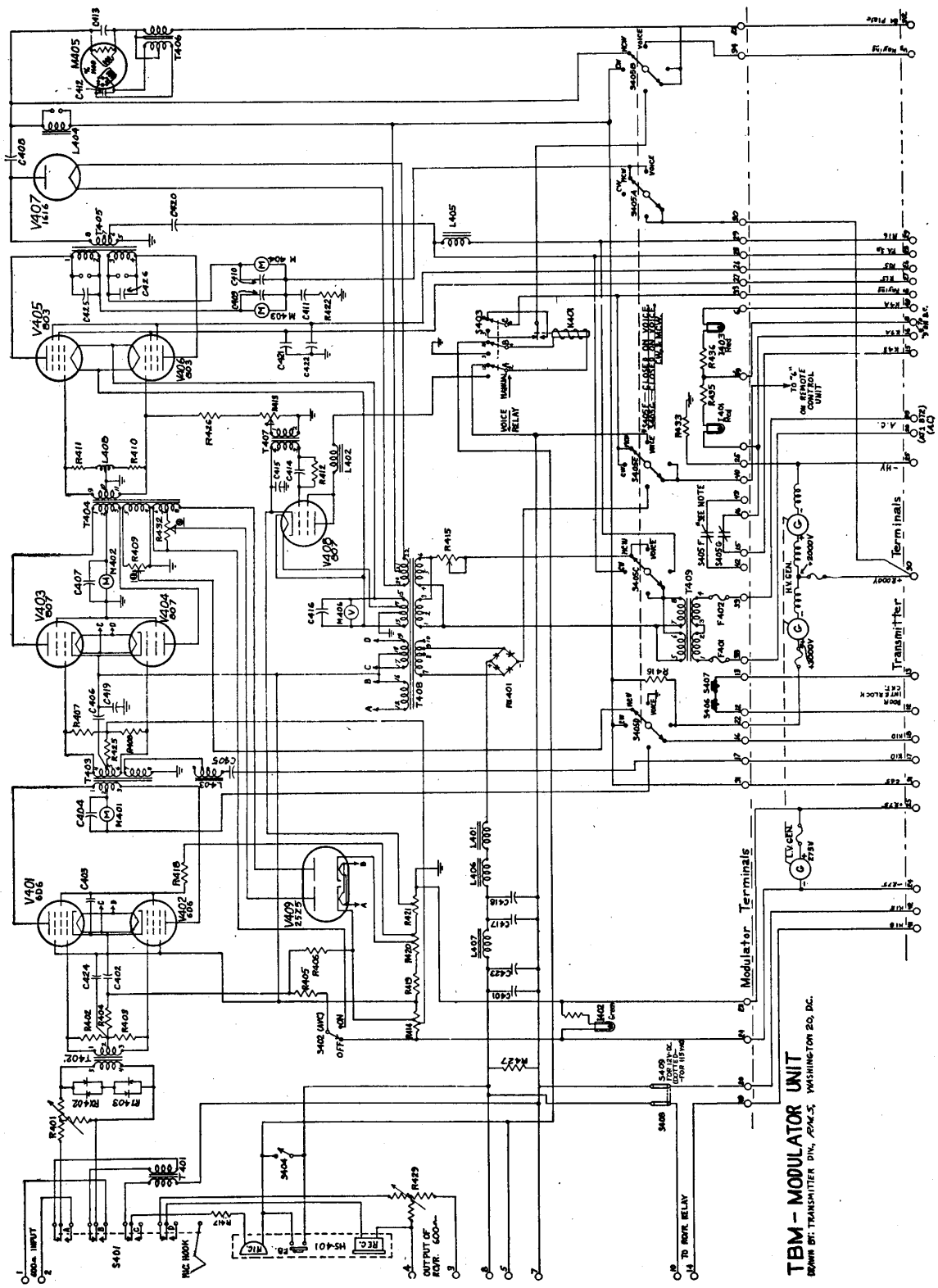




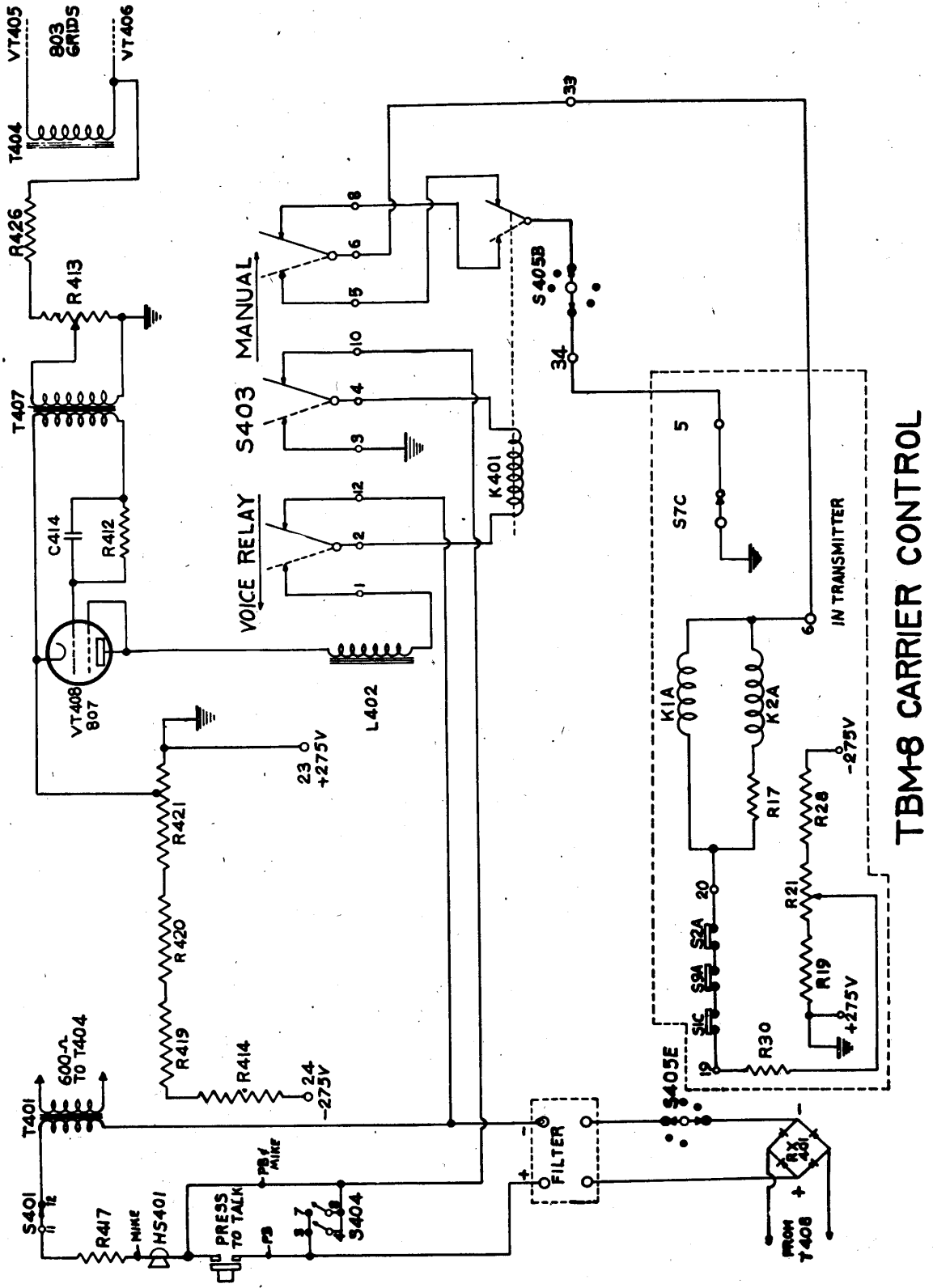




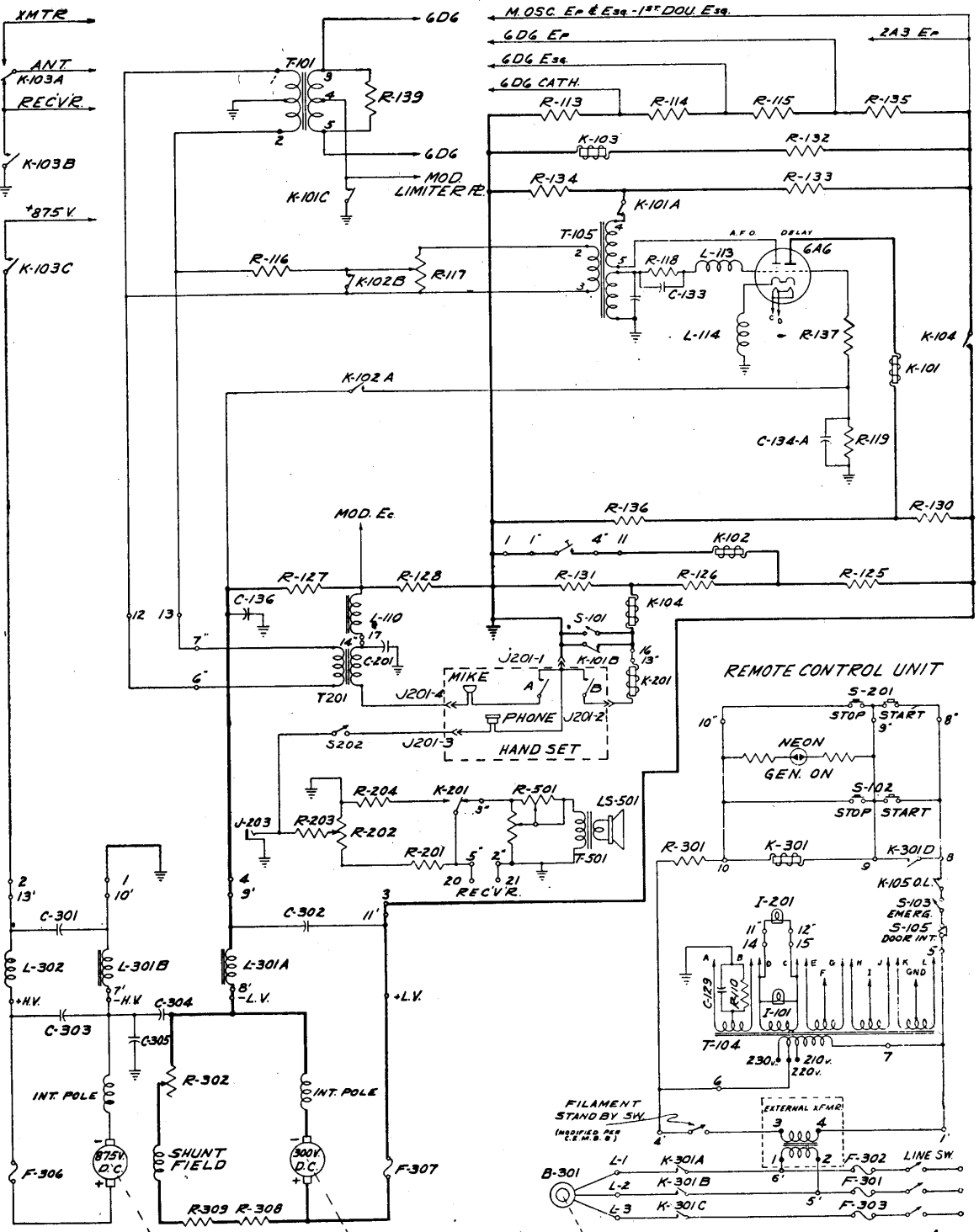
RADIOPHONE UNIT SHOWN CONNECTED FOR REMOTE OPERATION OF TBM EQUIPMENT



TBM - MODULATOR UNIT  
REPAIR BY TRANSMITTER DIV., RM-5, WASHINGTON 25, DC.

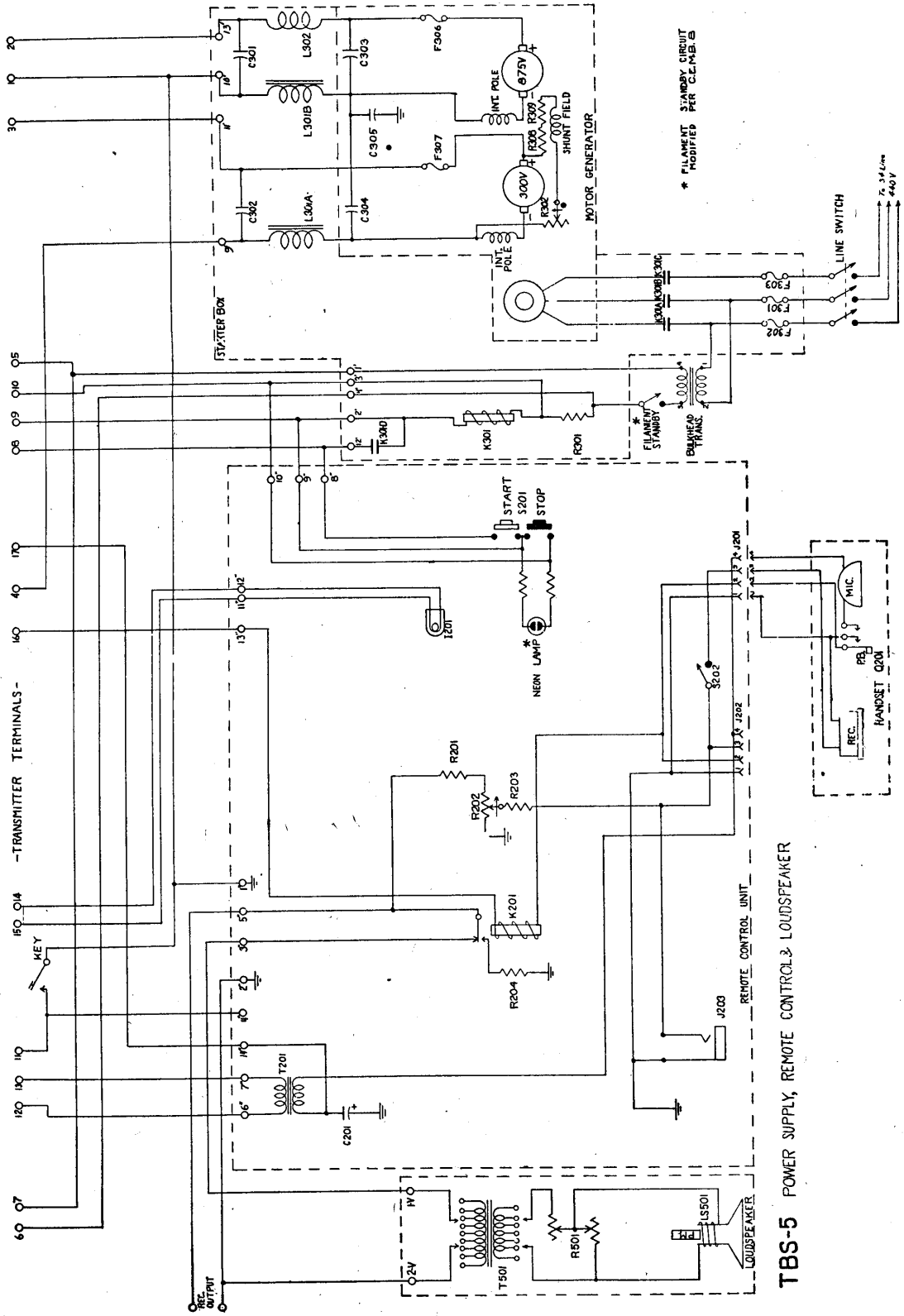


TBM-8 CARRIER CONTROL

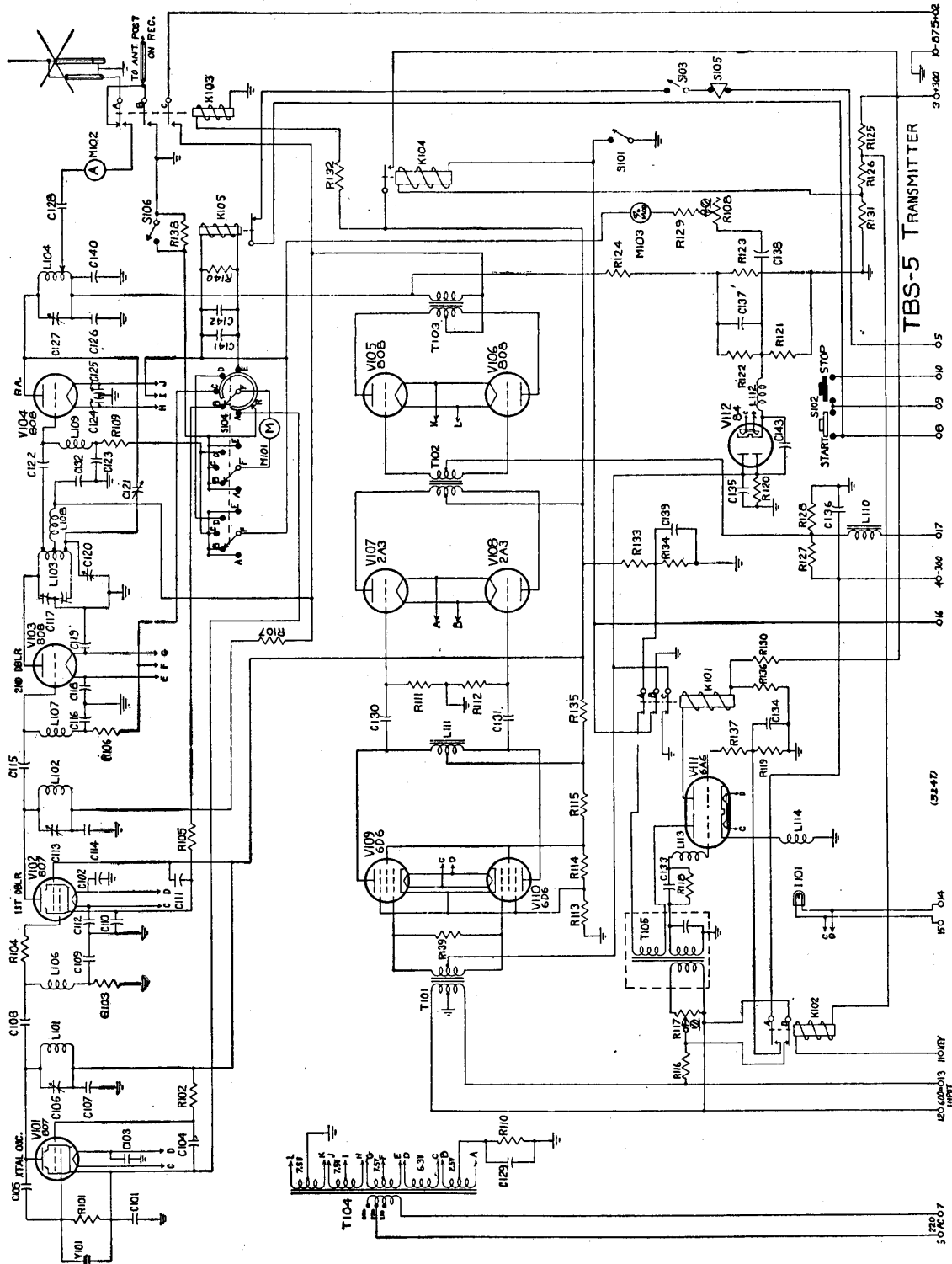


TBS-5 CONTROL CIRCUIT

440 V.  
3Ø-60~

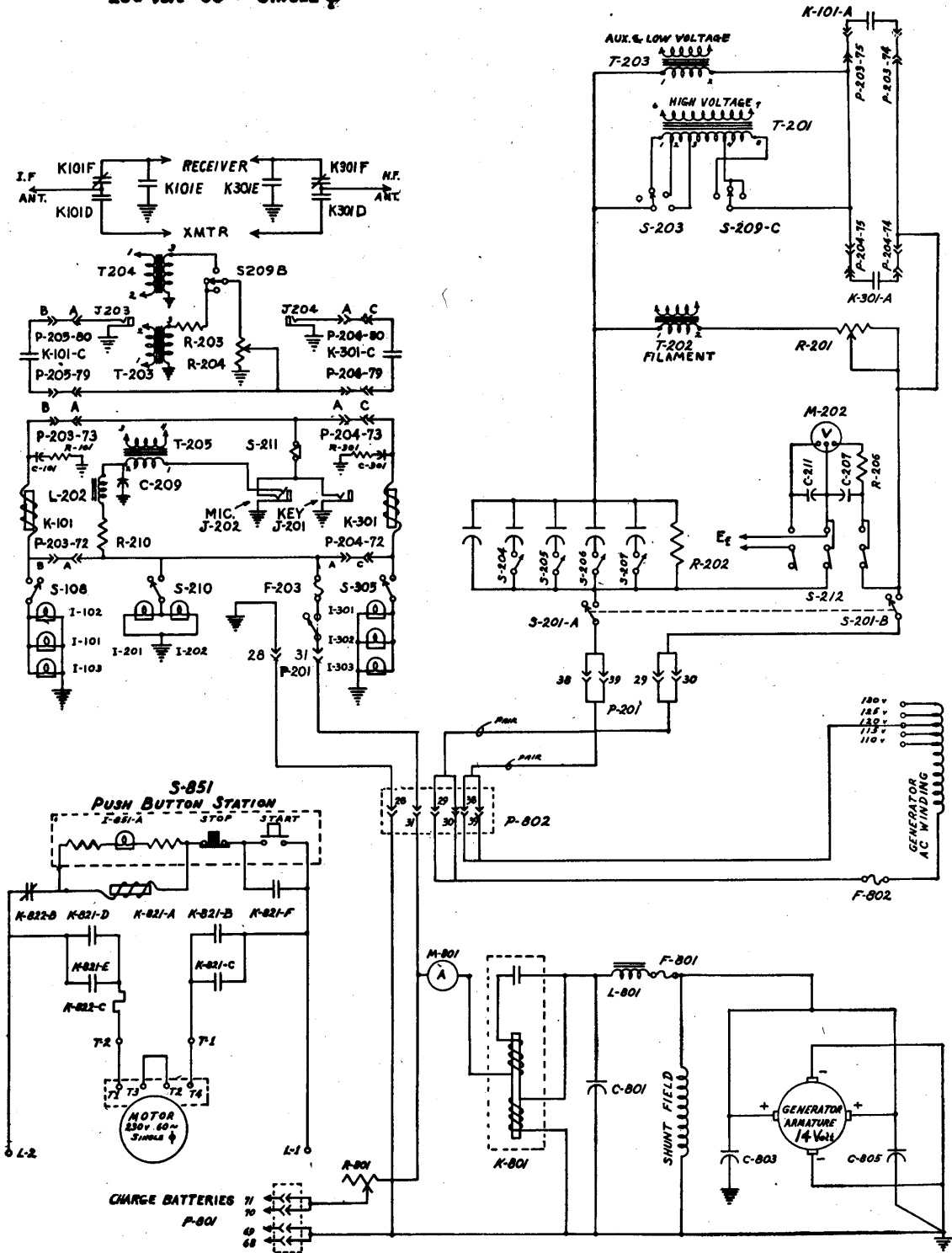


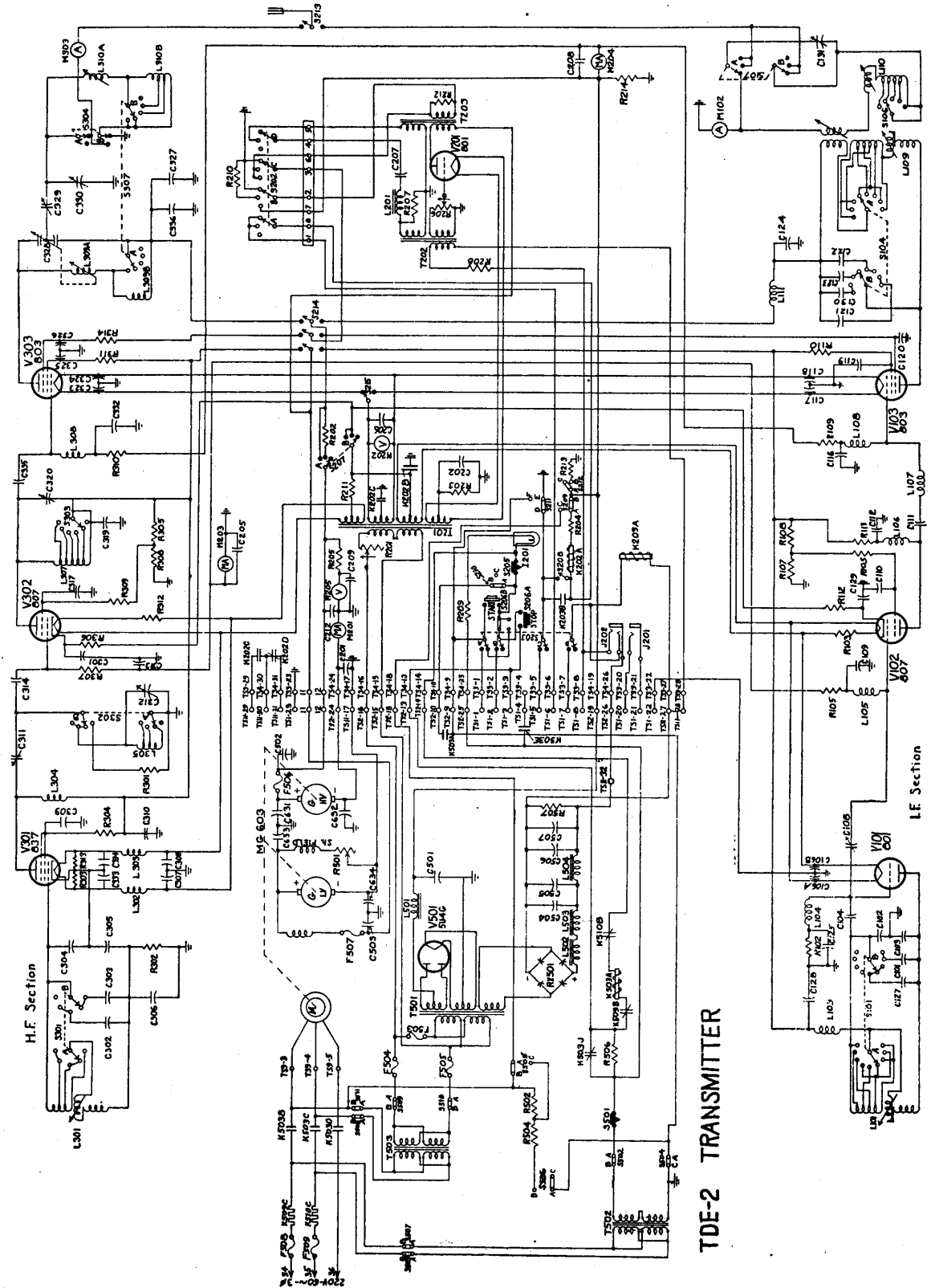
TBS-5 POWER SUPPLY, REMOTE CONTROL & LOUDSPEAKER



# TBW-3(MM) CONTROL CIRCUIT

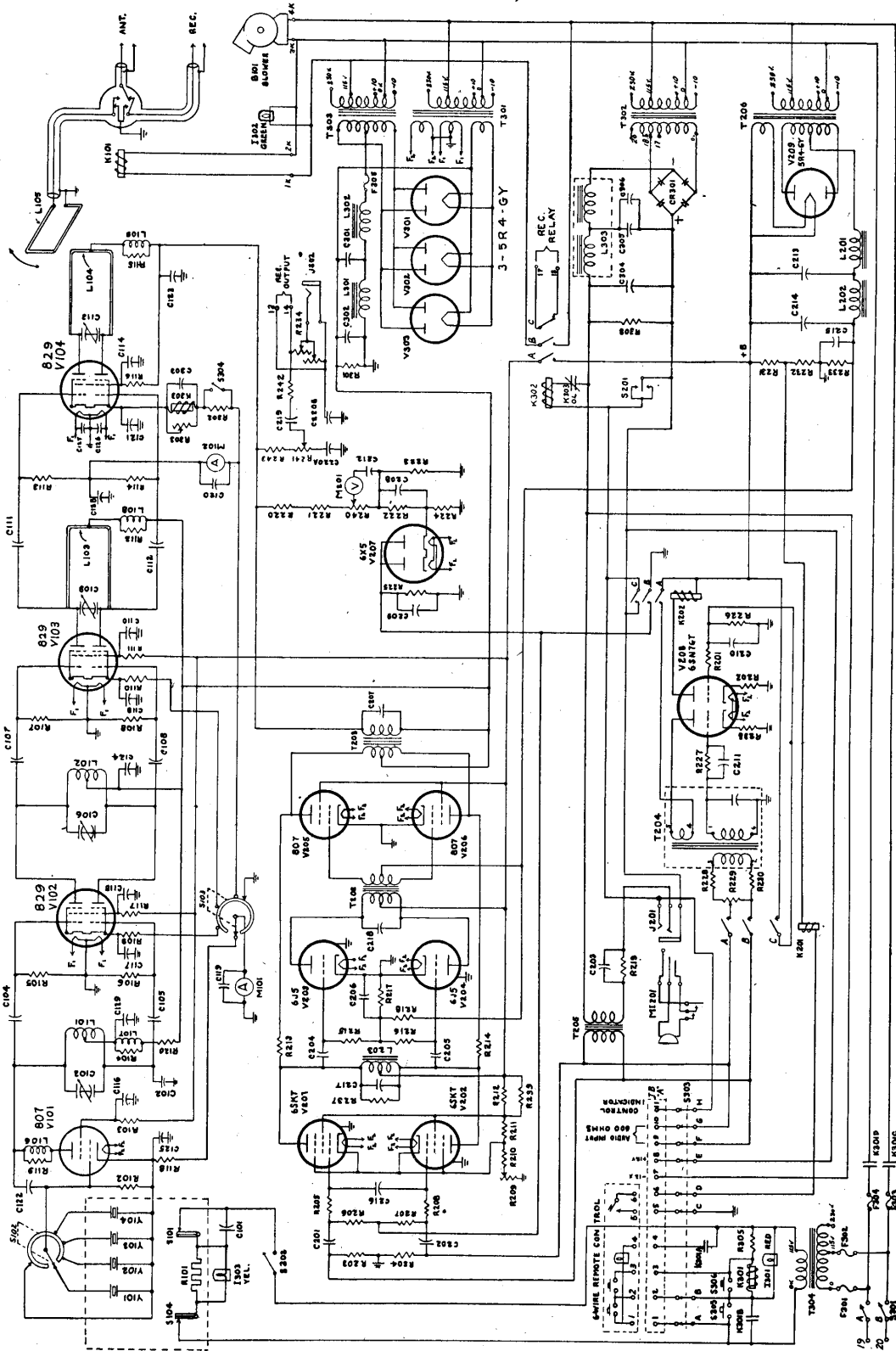
230 volt 60~ SINGLE  $\phi$



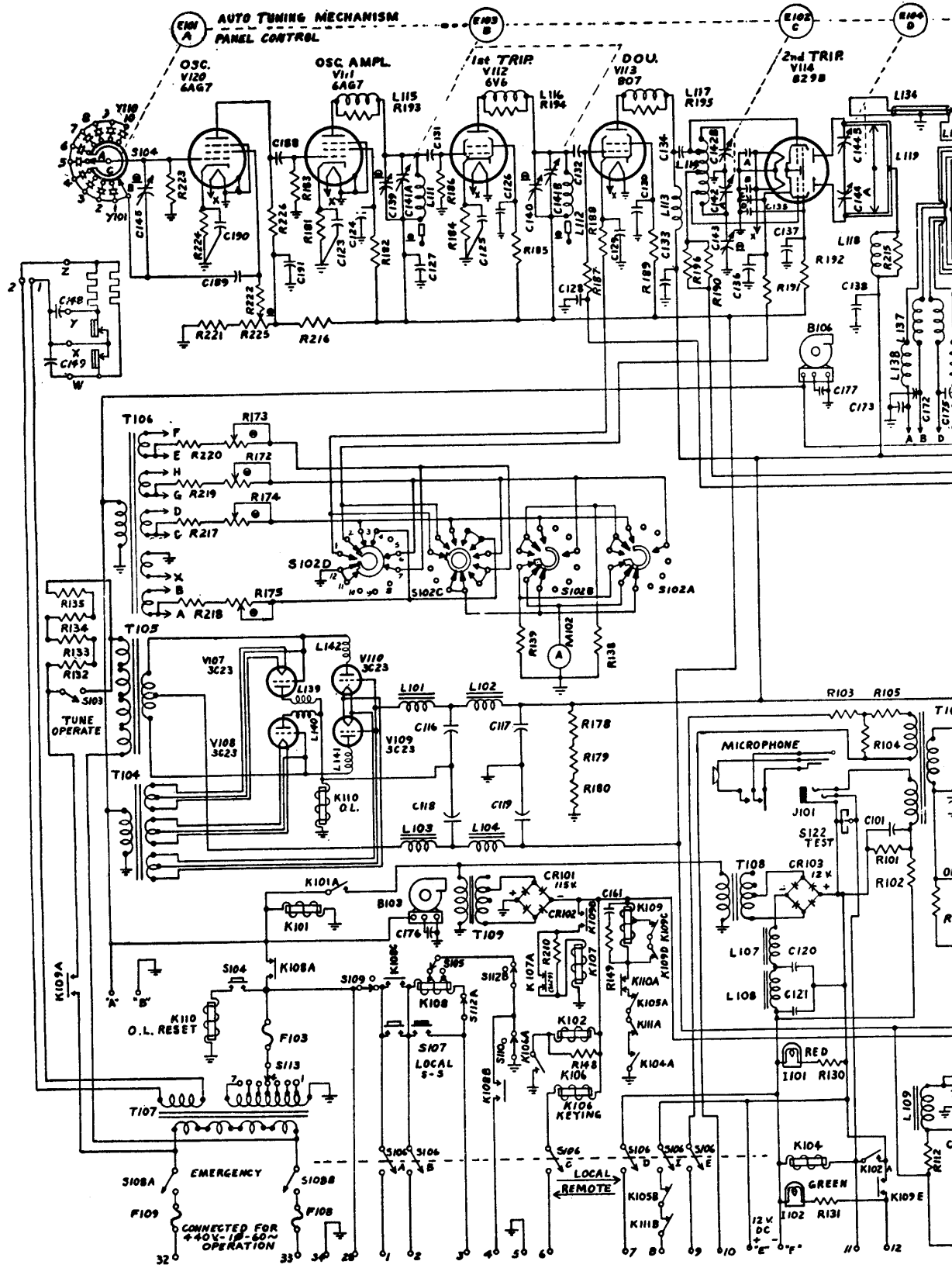


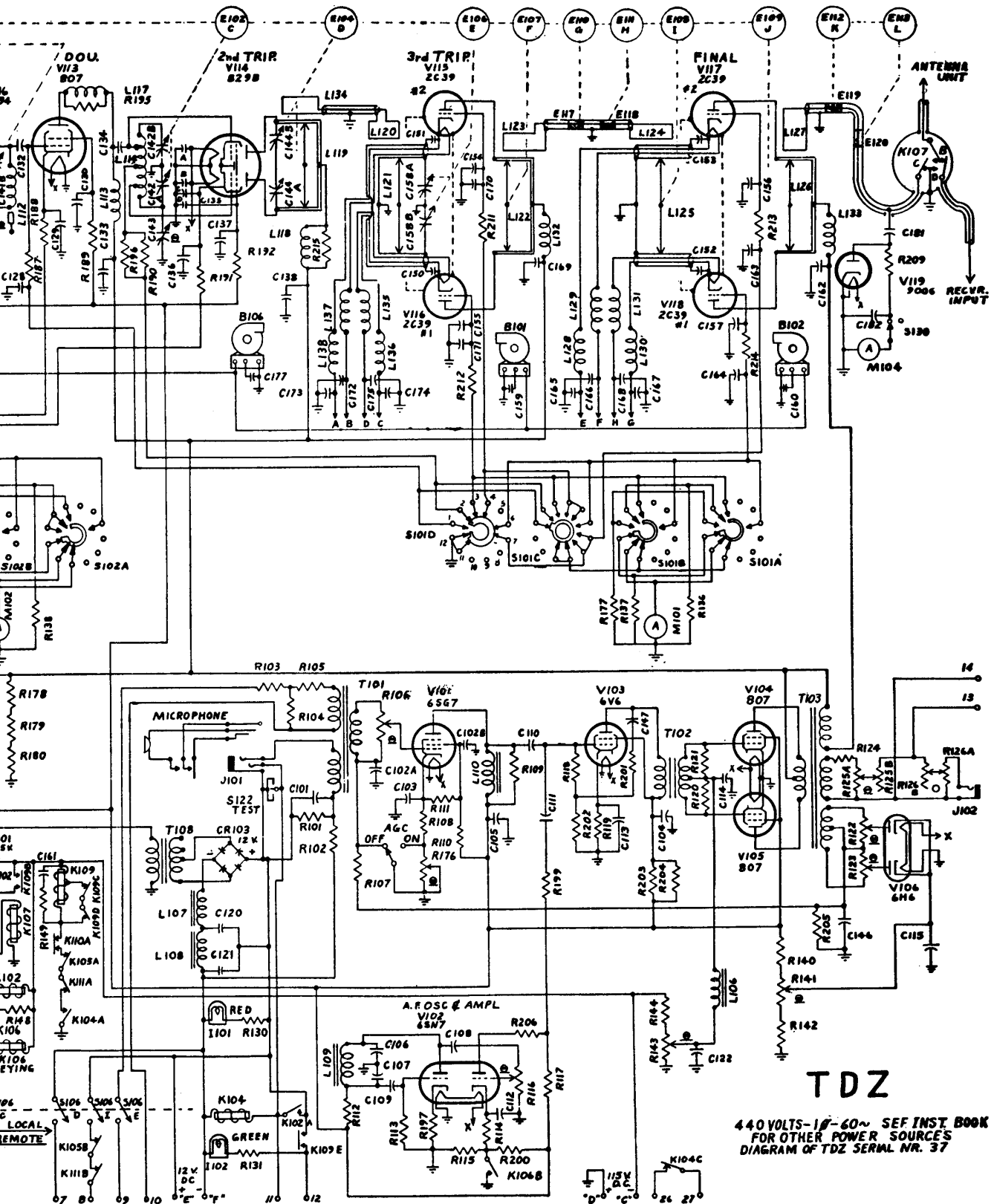
TDE-2 TRANSMITTER



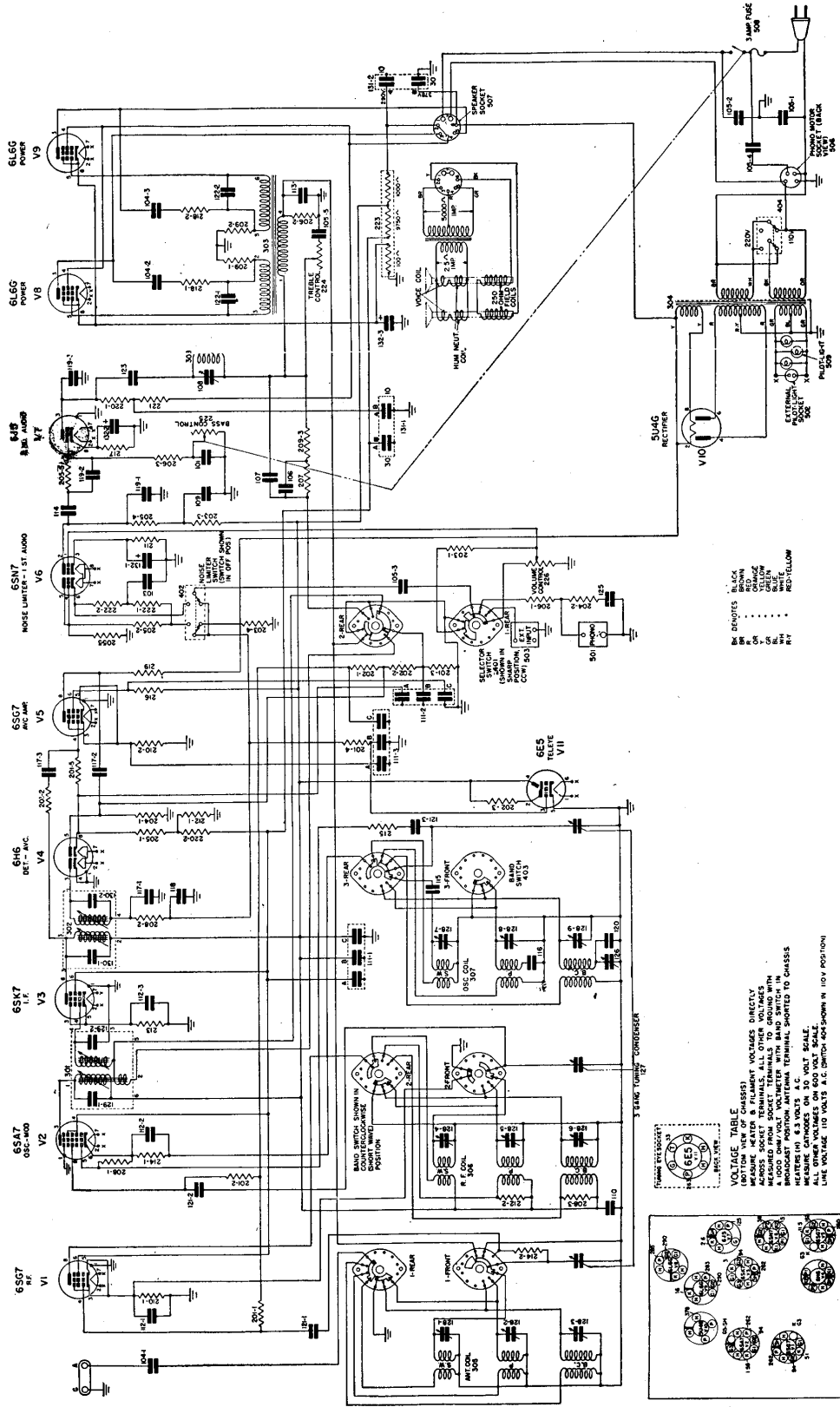


TDQ  
 115V.-1Ø-60~

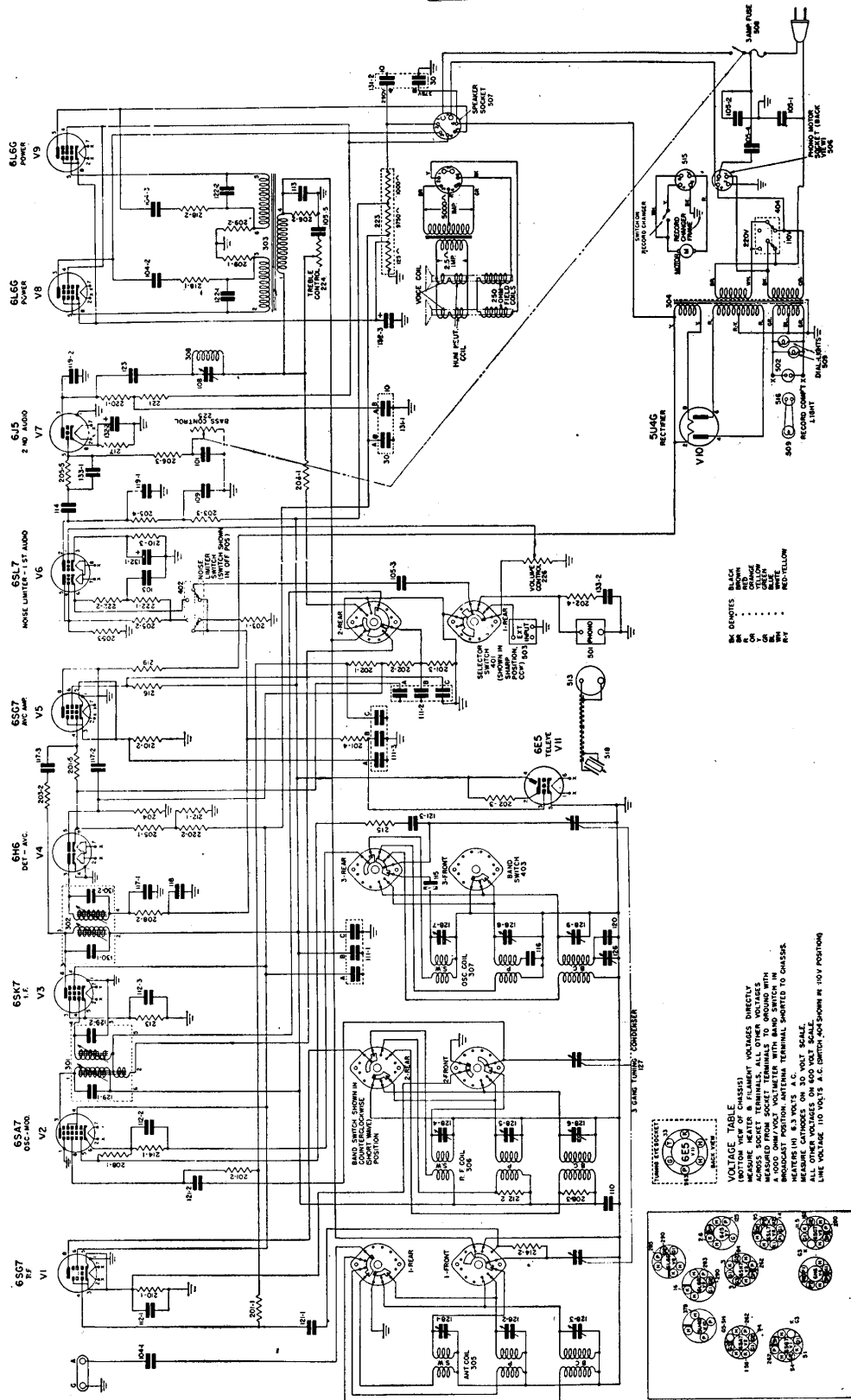




**TDZ**  
 440 VOLTS-1Ø-60~ SEE INST. BOOK  
 FOR OTHER POWER SOURCES  
 DIAGRAM OF TDZ SERIAL NR. 37



Models RCT, RCU, RCU-1 Radio-Phonograph Schematic Diagram.



Model RCU-2 Radio-Phonograph Schematic Diagram.