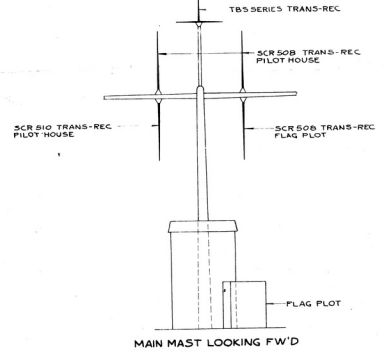
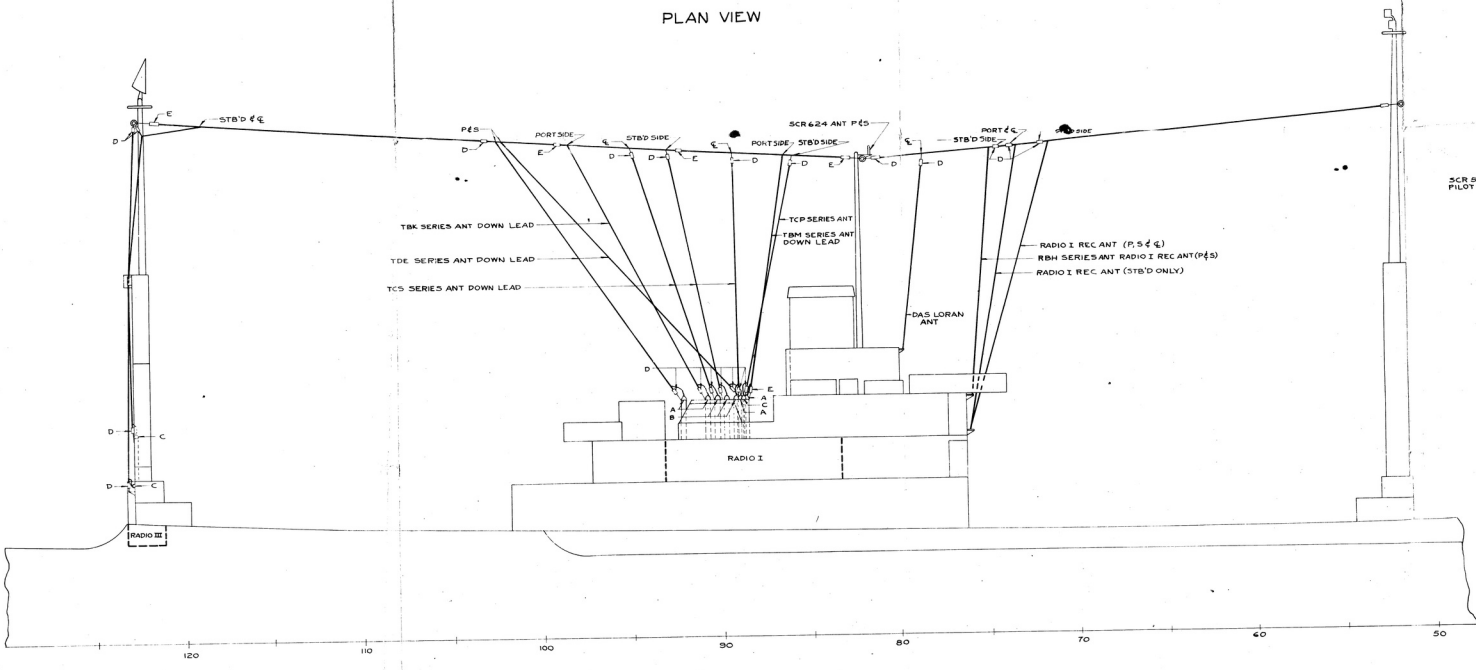
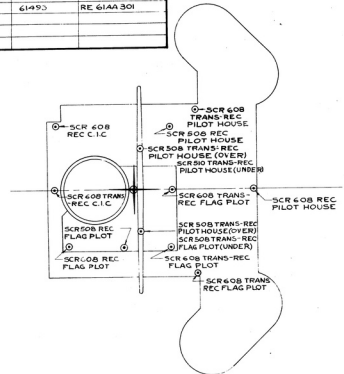
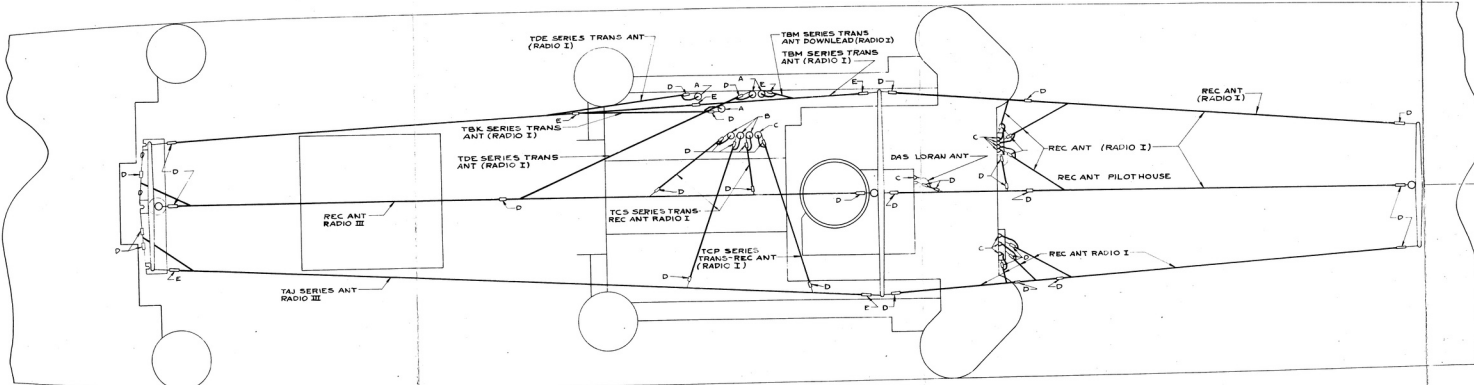


ANTENNA CHART		
SYMBOL	INSULATOR NO	DRAWING NO
A	61472	RE 61F 29B
B	61471	RE 61F 293
C	61039	RE 61F 203
D	61481	RE 61A 290
E	61493	RE 61A 301



DELINEATOR	IN CHARGE OF RADIO DRAFTING	CHIEF DRAFTSMAN
TRACER		
CHECKER	APPROVAL	
	RADIO OFFICER	
	ENGINEER OFFICER	
	USNR	

ELECTRONICS DIVISION BUREAU OF SHIPS  
 NAVY DEPARTMENT WASHINGTON, D. C.  
 RADIO-UNDERWATER SOUND

**COMBAT LOADED TRANSPORTS  
 APA 236 TO 247 INCL  
 ANTENNA SYSTEM  
 TYPE ARRANGEMENT**

SCALE: 1/4" = 1'-0" DATE: APRIL 2, 1945  
**RE 66J 543 A**

SHEET